

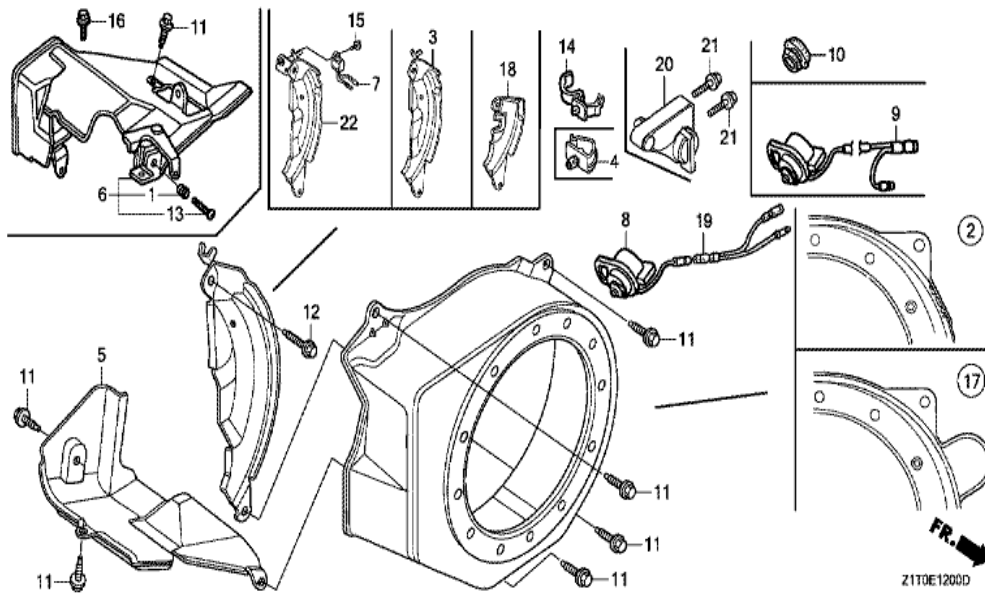
| Ref | Partnumber      | Description                        | GX160H1 | Serial Numbers  |
|-----|-----------------|------------------------------------|---------|-----------------|
| 002 | 28410-ZH8-003YA | CASE COMP., RECOIL STARTER *R280 * | 1       |                 |
| 002 | 28410-ZH8-003YA | CASE COMP., RECOIL STARTER *R280 * | 1       | 3315889         |
| 002 | 28410-ZH8-003YA | CASE COMP., RECOIL STARTER *R280 * | 1       | 3327695         |
| 002 | 28410-ZH8-003YA | CASE COMP., RECOIL STARTER *R280 * | 1       | 3327695         |
| 003 | 28421-Z0T-003   | REEL, RECOIL STARTER               | 1       | 2608293 3327695 |
| 003 | 28421-Z0T-003   | REEL, RECOIL STARTER               | 1       | 2608293 3327695 |
| 003 | 28421-ZH8-801   | REEL, RECOIL STARTER (BLACK)       | 1       |                 |
| 003 | 28421-ZH8-801   | REEL, RECOIL STARTER (BLACK)       | 1       | 2608292         |
| 003 | 28421-ZH8-801   | REEL, RECOIL STARTER (BLACK)       | 1       | 2608292         |
| 007 | 28442-ZH8-003   | SPRING, RECOIL STARTER             | 1       | 3315889         |
| 007 | 28442-ZH8-003   | SPRING, RECOIL STARTER             | 1       | 3327695         |
| 007 | 28442-ZH8-003   | SPRING, RECOIL STARTER             | 1       | 3327695         |
| 009 | 28461-ZH8-003   | GRIP, STARTER                      | 1       |                 |

| <u>Ref</u> | <u>Partnumber</u> | <u>Description</u>            | <u>GX160H1</u> | <u>Serial Numbers</u> |
|------------|-------------------|-------------------------------|----------------|-----------------------|
| 009        | 28461-ZH8-003     | GRIP, STARTER                 | 1              |                       |
| 009        | 28461-ZH8-003     | GRIP, STARTER                 | 1              | 2066868               |
| 009        | 28461-ZH8-013     | KNOB, RECOIL STARTER          | 1              | 2066869               |
| 009        | 28461-ZH8-013     | KNOB, RECOIL STARTER          | 1              | 1267933               |
| 009        | 28461-ZH8-013     | KNOB, RECOIL STARTER          | 1              | 2066869 3327695       |
| 009        | 28461-ZH8-013     | KNOB, RECOIL STARTER          | 1              | 2066869 3327695       |
| 010        | 28462-ZH8-003     | ROPE, RECOIL STARTER          | 1              | 3315889               |
| 010        | 28462-ZH8-003     | ROPE, RECOIL STARTER          | 1              | 3327695               |
| 010        | 28462-ZH8-003     | ROPE, RECOIL STARTER          | 1              | 3327695               |
| 012        | 90008-Z1T-000     | BOLT, FLANGE, 6X10            | 3              | 3315889               |
| 012        | 90008-Z1T-000     | BOLT, FLANGE, 6X10            | 3              | 3327695               |
| 012        | 90008-Z1T-000     | BOLT, FLANGE, 6X10            | 3              | 3603014               |
| 013        | 28400-Z0T-003ZB   | STARTER ASSY., RECOIL *R280*  | 1              | 2608293 3327695       |
| 013        | 28400-Z0T-003ZB   | STARTER ASSY., RECOIL *R280*  | 1              | 2608293 3327695       |
| 013        | 28400-ZH8-023YA   | STARTER ASSY., RECOIL *R280 * | 1              | 2066868               |
| 013        | 28400-ZH8-023YA   | STARTER ASSY., RECOIL *R280 * | 1              | 2066868               |
| 013        | 28400-ZH8-023YA   | STARTER ASSY., RECOIL *R280 * | 1              | 2066868               |
| 013        | 28400-ZH8-033YA   | STARTER ASSY., RECOIL *R280*  | 1              | 2066869               |
| 013        | 28400-ZH8-033YA   | STARTER ASSY., RECOIL *R280*  | 1              | 2066869               |
| 013        | 28400-ZH8-033YA   | STARTER ASSY., RECOIL *R280*  | 1              | 2066869 2608292       |
| 013        | 28400-ZH8-033YA   | STARTER ASSY., RECOIL *R280*  | 1              | 2066869 2608292       |
| 014        | 28422-ZH8-801     | RATCHET, STARTER              | 2              | 3315889               |
| 014        | 28422-ZH8-801     | RATCHET, STARTER              | 2              | 3327695               |
| 014        | 28422-ZH8-801     | RATCHET, STARTER              | 2              | 3327695               |
| 015        | 28431-ZH8-801     | PLATE, FRICTION               | 1              | 3315889               |
| 015        | 28431-ZH8-801     | PLATE, FRICTION               | 1              | 3327695               |
| 015        | 28431-ZH8-801     | PLATE, FRICTION               | 1              | 3327695               |
| 016        | 28433-ZH8-801     | GUIDE, RATCHET                | 1              | 3315889               |
| 016        | 28433-ZH8-801     | GUIDE, RATCHET                | 1              | 3327695               |
| 016        | 28433-ZH8-801     | GUIDE, RATCHET                | 1              | 3327695               |
| 017        | 28441-ZH8-801     | SPRING, FRICTION              | 1              | 3315889               |
| 017        | 28441-ZH8-801     | SPRING, FRICTION              | 1              | 3327695               |
| 017        | 28441-ZH8-801     | SPRING, FRICTION              | 1              | 3327695               |
| <u>Ref</u> | <u>Partnumber</u> | <u>Description</u>            | <u>GX160H1</u> | <u>Serial Numbers</u> |
| 018        | 28443-ZH8-801     | SPRING, RETURN                | 2              | 3315889               |
| 018        | 28443-ZH8-801     | SPRING, RETURN                | 2              | 3327695               |
| 018        | 28443-ZH8-801     | SPRING, RETURN                | 2              | 3327695               |
| 019        | 90003-ZH8-801     | SCREW, SETTING                | 1              | 3315889               |
| 019        | 90003-ZH8-801     | SCREW, SETTING                | 1              | 3327695               |
| 019        | 90003-ZH8-801     | SCREW, SETTING                | 1              | 3327695               |

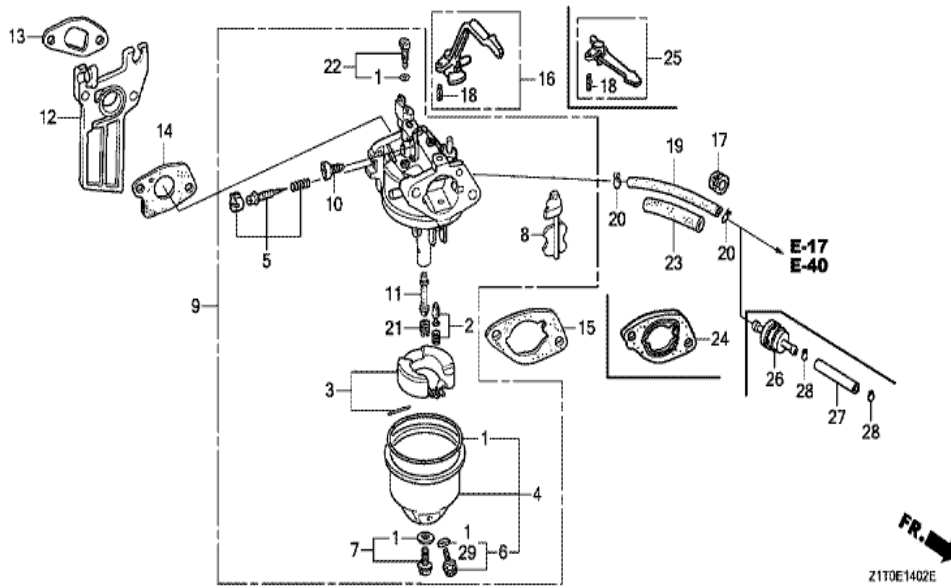


| Ref | Partnumber      | Description                       | GX160H1 | Serial Numbers  |
|-----|-----------------|-----------------------------------|---------|-----------------|
| 001 | 28400-Z1T-701ZB | STARTER ASSY., RECOIL *R280*      | 1       | 3327696 3807941 |
| 001 | 28400-Z1T-701ZB | STARTER ASSY., RECOIL *R280*      | 1       | 3327696 3807941 |
| 001 | 28400-Z1T-702ZB | STARTER ASSY., RECOIL *R280*      | 1       | 1267934         |
| 001 | 28400-Z1T-702ZB | STARTER ASSY., RECOIL *R280*      | 1       | 3807942         |
| 002 | 28410-Z1T-701ZB | CASE COMP., RECOIL STARTER *R280* | 1       | 3315890         |
| 002 | 28410-Z1T-701ZB | CASE COMP., RECOIL STARTER *R280* | 1       | 3327696         |
| 002 | 28410-Z1T-701ZB | CASE COMP., RECOIL STARTER *R280* | 1       | 3327696         |
| 003 | 28421-Z1T-702   | REEL, RECOIL STARTER (BLACK)      | 1       | 1267934         |
| 003 | 28421-Z1T-702   | REEL, RECOIL STARTER (BLACK)      | 1       | 3807942         |
| 004 | 28422-Z1T-701   | RATCHET, STARTER                  | 2       | 3315890         |
| 004 | 28422-Z1T-701   | RATCHET, STARTER                  | 2       | 3327696         |
| 004 | 28422-Z1T-701   | RATCHET, STARTER                  | 2       | 3603015         |
| 005 | 28433-Z1T-702   | GUIDE, RATCHET                    | 1       | 1267934         |

| <u>Ref</u> | <u>Partnumber</u> | <u>Description</u>     | <u>GX160H1</u> | <u>Serial Numbers</u> |
|------------|-------------------|------------------------|----------------|-----------------------|
| 005        | 28433-Z1T-702     | GUIDE, RATCHET         | 1              | 3807942               |
| 007        | 28442-ZH8-003     | SPRING, RECOIL STARTER | 1              | 3315890               |
| 007        | 28442-ZH8-003     | SPRING, RECOIL STARTER | 1              | 3327696               |
| 007        | 28442-ZH8-003     | SPRING, RECOIL STARTER | 1              | 3603015               |
| 008        | 28443-Z1T-701     | SPRING, RETURN         | 2              | 3315890               |
| 008        | 28443-Z1T-701     | SPRING, RETURN         | 2              | 3327696               |
| 008        | 28443-Z1T-701     | SPRING, RETURN         | 2              | 3603015               |
| 009        | 28461-ZH8-013     | KNOB, RECOIL STARTER   | 1              | 3315890               |
| 009        | 28461-ZH8-013     | KNOB, RECOIL STARTER   | 1              | 3327696               |
| 009        | 28461-ZH8-013     | KNOB, RECOIL STARTER   | 1              | 3327696               |
| 010        | 28462-Z1T-701     | ROPE, RECOIL STARTER   | 1              | 3315890               |
| 010        | 28462-Z1T-701     | ROPE, RECOIL STARTER   | 1              | 3327696               |
| 010        | 28462-Z1T-701     | ROPE, RECOIL STARTER   | 1              | 3603015               |
| 011        | 90003-ZH8-801     | SCREW, SETTING         | 1              | 1267934               |
| 011        | 90003-ZH8-801     | SCREW, SETTING         | 1              | 3807942               |
| 012        | 90008-Z1T-000     | BOLT, FLANGE, 6X10     | 3              | 3327696               |
| 012        | 90008-Z1T-000     | BOLT, FLANGE, 6X10     | 3              | 3603015               |
| 013        | 28431-ZH8-801     | PLATE, FRICTION        | 1              | 1267934               |
| 013        | 28431-ZH8-801     | PLATE, FRICTION        | 1              | 3807942               |
| 014        | 28441-ZH8-801     | SPRING, FRICTION       | 1              | 1267934               |
| 014        | 28441-ZH8-801     | SPRING, FRICTION       | 1              | 3807942               |
| 015        | 06280-Z1T-305     | STARTER SET, RECOIL    | 1              | 3327696 3807941       |
| 015        | 06280-Z1T-305     | STARTER SET, RECOIL    | 1              | 3603015 3918998       |

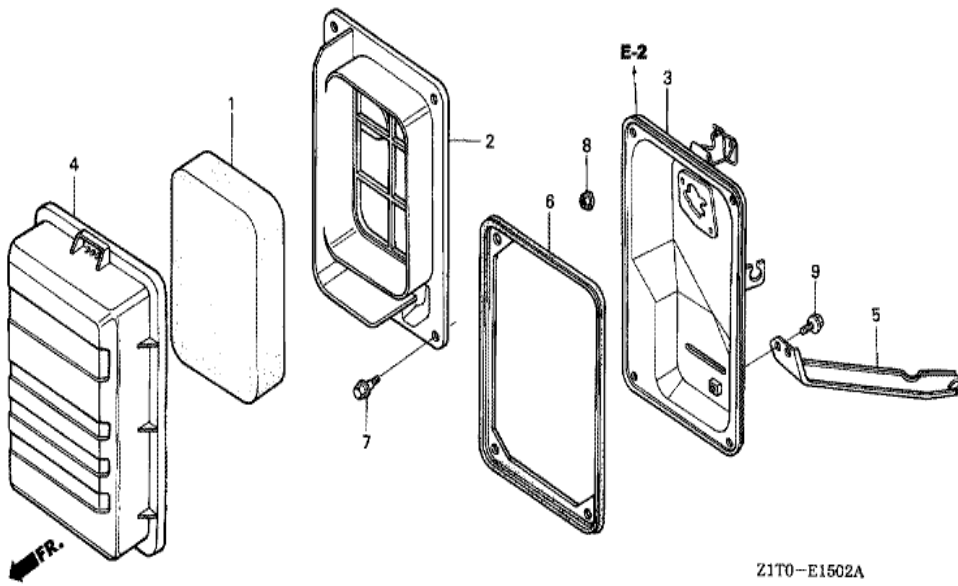


| Ref | Partnumber      | Description                   | GX160H1 | Serial Numbers |
|-----|-----------------|-------------------------------|---------|----------------|
| 002 | 19610-ZE1-000ZP | COVER COMP., FAN *R280 *      | 1       | 1751731        |
| 002 | 19610-ZE1-000ZP | COVER COMP., FAN *R280 *      | 1       | 1751731        |
| 002 | 19610-ZE1-000ZP | COVER COMP., FAN *R280 *      | 1       | 1751731        |
| 002 | 19610-ZE1-010ZP | COVER COMP., FAN *R280 *      | 1       | 1751732        |
| 002 | 19610-ZE1-010ZP | COVER COMP., FAN *R280 *      | 1       | 1751732        |
| 002 | 19610-ZE1-010ZP | COVER COMP., FAN *R280 *      | 1       | 1751732        |
| 004 | 19613-ZE1-020   | CLAMP, CORD                   | 1       |                |
| 005 | 19631-Z1T-000   | SHROUD                        | 1       |                |
| 005 | 19631-Z1T-000   | SHROUD                        | 1       |                |
| 005 | 19631-Z1T-000   | SHROUD                        | 1       |                |
| 007 | 34150-ZH7-003   | ALERT UNIT, OIL               | 1       |                |
| 010 | 81329-567-020   | GROMMET, DRAIN HOLE           | 1       |                |
| 011 | 90013-883-000   | BOLT, FLANGE, 6X12 (CT200)    | 6       |                |
| Ref | Partnumber      | Description                   | GX160H1 | Serial Numbers |
| 012 | 90022-888-010   | BOLT, FLANGE, 6X20 (CT200)    | 1       |                |
| 015 | 95701-0600800   | BOLT, FLANGE, 6X8             | 1       |                |
| 019 | 32197-Z1T-000   | SUB HARNESS                   | 1       |                |
| 022 | 19611-ZK8-E90   | PLATE COMP., SIDE (OIL ALERT) | 1       |                |
| 022 | 19611-ZK8-E90   | PLATE COMP., SIDE (OIL ALERT) | 1       |                |
| 022 | 19611-ZK8-E90   | PLATE COMP., SIDE (OIL ALERT) | 1       |                |



| Ref | Partnumber    | Description                | GX160H1 | Serial Numbers |
|-----|---------------|----------------------------|---------|----------------|
| 001 | 16010-ZB1-015 | GASKET SET                 | 1       |                |
| 002 | 16011-ZE0-005 | VALVE SET, FLOAT           | 1       |                |
| 003 | 16013-Z0S-B01 | FLOAT SET                  | 1       | BE67M A        |
| 003 | 16013-ZE0-005 | FLOAT SET                  | 1       | BE67A B        |
| 003 | 16013-ZE0-005 | FLOAT SET                  | 1       | BE67A B        |
| 003 | 16013-ZE0-005 | FLOAT SET                  | 1       | BE67M B        |
| 004 | 16015-ZE0-831 | CHAMBER SET, FLOAT         | 1       |                |
| 005 | 16016-ZH7-W01 | SCREW SET, PILOT           | 1       |                |
| 006 | 16024-ZE1-811 | SCREW SET, DRAIN           | 1       |                |
| 007 | 16028-ZE0-005 | SCREW SET                  | 1       |                |
| 008 | 16044-ZE0-005 | CHOKE SET                  | 1       |                |
| 009 | 16100-Z1T-E81 | CARBURETOR ASSY. (BE67M A) | 1       | 1463634        |
| 009 | 16100-ZH8-E81 | CARBURETOR ASSY. (BE67A B) | 1       | 1463633        |

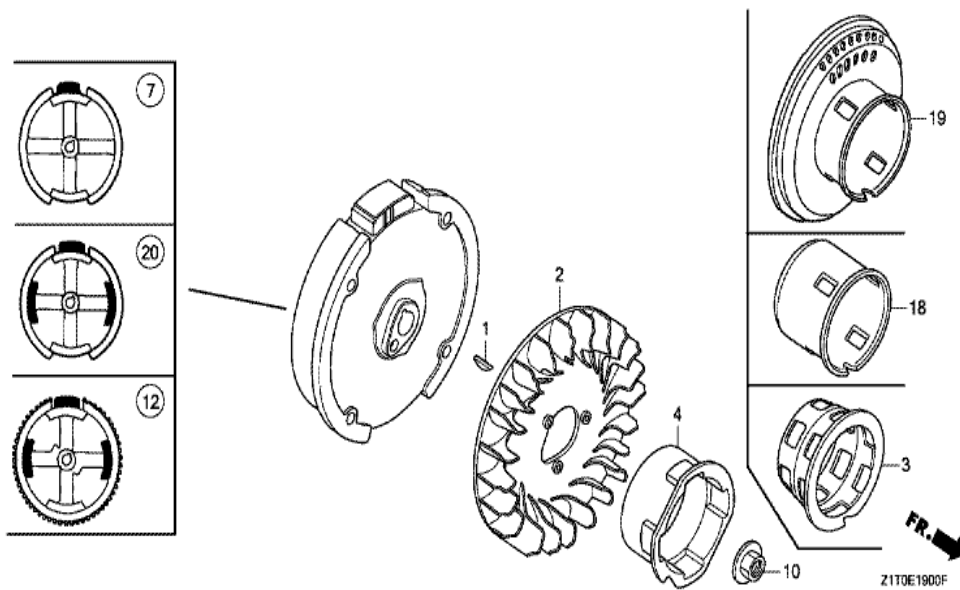
| <u>Ref</u> | <u>Partnumber</u> | <u>Description</u>                       | <u>GX160H1</u> | <u>Serial Numbers</u> |
|------------|-------------------|--|----------------|-----------------------|
| 009        | 16100-ZH8-E81     | CARBURETOR ASSY. (BE67A B)               | 1              | 1463633               |
| 010        | 16124-ZE0-005     | SCREW, THROTTLE STOP                     | 1              |                       |
| 011        | 16166-ZH8-E80     | NOZZLE, MAIN                             | 1              |                       |
| 012        | 16211-Z1T-000     | INSULATOR, CARBURETOR (JLH)              | 1              |                       |
| 012        | 16211-Z1T-000     | INSULATOR, CARBURETOR (JLH)              | 1              |                       |
| 013        | 16212-Z1T-701     | PACKING, INSULATOR (NINGBO SIL GASKET)   | 1              |                       |
| 013        | 16212-Z1T-701     | PACKING, INSULATOR (NINGBO SIL GASKET)   | 1              |                       |
| 013        | 16212-ZH8-800     | PACKING, INSULATOR                       | 1              |                       |
| 013        | 16212-ZH8-800     | PACKING, INSULATOR                       | 1              |                       |
| 014        | 16221-Z1T-701     | PACKING, CARBURETOR (NINGBO SIL GASKET)  | 1              |                       |
| 014        | 16221-Z1T-701     | PACKING, CARBURETOR (NINGBO SIL GASKET)  | 1              |                       |
| 014        | 16221-ZH8-801     | PACKING, CARBURETOR                      | 1              |                       |
| 014        | 16221-ZH8-801     | PACKING, CARBURETOR                      | 1              |                       |
| 015        | 16269-Z1T-701     | PACKING, AIR CLEANER (NINGBO SIL GASKET) | 1              |                       |
| 015        | 16269-Z1T-701     | PACKING, AIR CLEANER (NINGBO SIL GASKET) | 1              |                       |
| 015        | 16269-ZE1-800     | PACKING, AIR CLEANER                     | 1              |                       |
| 015        | 16269-ZE1-800     | PACKING, AIR CLEANER                     | 1              |                       |
| 016        | 16610-ZB2-000     | LEVER COMP., CHOKE                       | 1              |                       |
| 016        | 16610-ZB2-000     | LEVER COMP., CHOKE                       | 1              |                       |
| 018        | 94305-20122       | PIN, SPRING, 2X12                        | 1              |                       |
| 021        | 99101-ZH80700     | JET, MAIN, #70                           | (1)            |                       |
| 021        | 99101-ZH80700     | JET, MAIN, #70                           | (1)            |                       |
| 021        | 99101-ZH80720     | JET, MAIN, #72                           | (1)            |                       |
| 021        | 99101-ZH80720     | JET, MAIN, #72                           | (1)            |                       |
| 021        | 99101-ZH80750     | JET, MAIN, #75                           | 1              |                       |
| 021        | 99101-ZH80750     | JET, MAIN, #75                           | 1              |                       |
| 022        | 99204-ZE00350     | JET SET, PILOT, #35                      | 1              |                       |
| 029        | 16141-Z0S-003     | WASHER, PLAIN (6.2X10.7 DRAIN)           | 1              |                       |
| 029        | 16141-Z0S-003     | WASHER, PLAIN (6.2X10.7 DRAIN)           | 1              |                       |



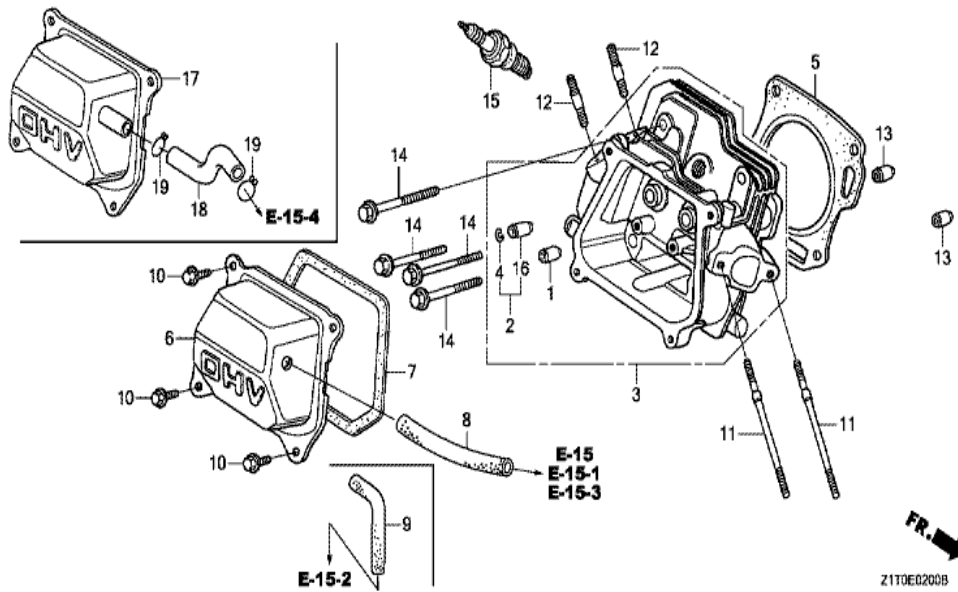
Z1T0-E1502A

| Ref | Partnumber    | Description             | GX160H1 | Serial Numbers |
|-----|---------------|-------------------------|---------|----------------|
| 001 | 17211-ZB2-000 | ELEMENT, AIR CLEANER    | 1       |                |
| 002 | 17212-ZB2-000 | SEPARATOR, AIR CLEANER  | 1       |                |
| 003 | 17220-ZB2-000 | CASE COMP., AIR CLEANER | 1       |                |
| 004 | 17231-ZB2-000 | COVER, AIR CLEANER      | 1       |                |
| 005 | 17239-ZB2-000 | STAY, AIR CLEANER       | 1       |                |
| 006 | 17252-Z1T-000 | SEAL, AIR CLEANER       | 1       | 1548985        |
| 006 | 17252-ZB2-000 | SEAL, AIR CLEANER       | 1       | 1548984        |
| 006 | 17252-ZB2-000 | SEAL, AIR CLEANER       | 1       | 1548984        |
| 007 | 90017-Z1T-000 | BOLT, SPECIAL, 5MM      | 4       | 1962599        |
| 007 | 90115-459-770 | BOLT, WINKER SETTING    | 4       | 1962598        |
| 007 | 90115-459-770 | BOLT, WINKER SETTING    | 4       | 1962598        |
| 008 | 94050-06080   | NUT, FLANGE, 6MM        | 2       |                |
| 009 | 95701-0601000 | BOLT, FLANGE, 6X10      | 1       |                |



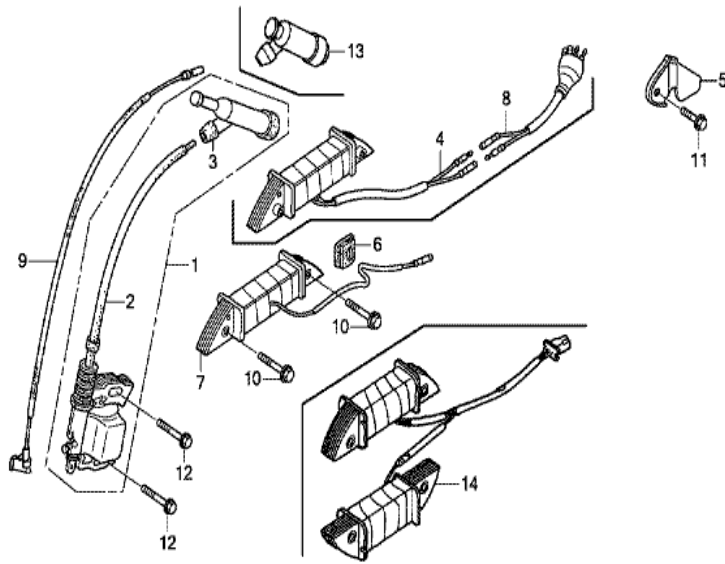


| Ref | Partnumber    | Description                       | GX160H1 | Serial Numbers  |
|-----|---------------|-----------------------------------|---------|-----------------|
| 001 | 13331-357-000 | KEY, SPECIAL WOODRUFF, 25X18      | 1       |                 |
| 002 | 19511-Z1T-000 | FAN, COOLING                      | 1       |                 |
| 002 | 19511-Z1T-000 | FAN, COOLING                      | 1       |                 |
| 004 | 28451-Z1T-700 | PULLEY, STARTER                   | 1       | 1267934         |
| 004 | 28451-Z1T-700 | PULLEY, STARTER                   | 1       | 3103959         |
| 004 | 28451-Z1T-700 | PULLEY, STARTER                   | 1       | 3603015         |
| 006 | 30700-Z1T-003 | CAP ASSY., NOISE SUPPRESSOR (TEC) | 1       |                 |
| 007 | 31110-Z1T-003 | FLYWHEEL COMP. (KOKUSAN)          | 1       |                 |
| 007 | 31110-Z1T-003 | FLYWHEEL COMP. (KOKUSAN)          | 1       | 2308976         |
| 008 | 36101-ZE1-010 | CORD, STOP SWITCH (370MM)         | 1       |                 |
| 008 | 36101-ZE1-010 | CORD, STOP SWITCH (370MM)         | 1       |                 |
| 009 | 90121-952-000 | BOLT, FLANGE, 6X25 (CT200)        | 2       |                 |
| 010 | 90201-Z1T-000 | NUT, SPECIAL, 14MM                | 1       |                 |
| Ref | Partnumber    | Description                       | GX160H1 | Serial Numbers  |
| 010 | 90201-Z1T-000 | NUT, SPECIAL, 14MM                | 1       |                 |
| 011 | 30500-Z1T-003 | COIL ASSY., IGNITION              | 1       |                 |
| 011 | 30500-Z1T-003 | COIL ASSY., IGNITION              | 1       | 1478099         |
| 011 | 30500-Z1T-013 | COIL ASSY., IGNITION              | 1       | 1478100 1716432 |
| 011 | 30500-Z1T-013 | COIL ASSY., IGNITION              | 1       | 1478100 1727332 |
| 011 | 30500-Z1T-023 | COIL ASSY., IGNITION (TEC)        | 1       | 1727333         |
| 011 | 30500-Z1T-023 | COIL ASSY., IGNITION (TEC)        | 1       | 1727333         |
| 018 | 28451-Z1T-000 | PULLEY, STARTER                   | 1       | 1056369         |
| 018 | 28451-Z1T-000 | PULLEY, STARTER                   | 1       | 1056369 3103958 |
| 018 | 28451-Z1T-000 | PULLEY, STARTER                   | 1       | 1267933         |
| 018 | 28451-ZH8-801 | PULLEY, STARTER                   | 1       | 1048008 1056368 |
| 018 | 28451-ZH8-801 | PULLEY, STARTER                   | 1       | 1056368         |
| 018 | 28451-ZH8-801 | PULLEY, STARTER                   | 1       | 1056368         |
| 018 | 28451-ZH8-801 | PULLEY, STARTER                   | 1       | 1056368         |



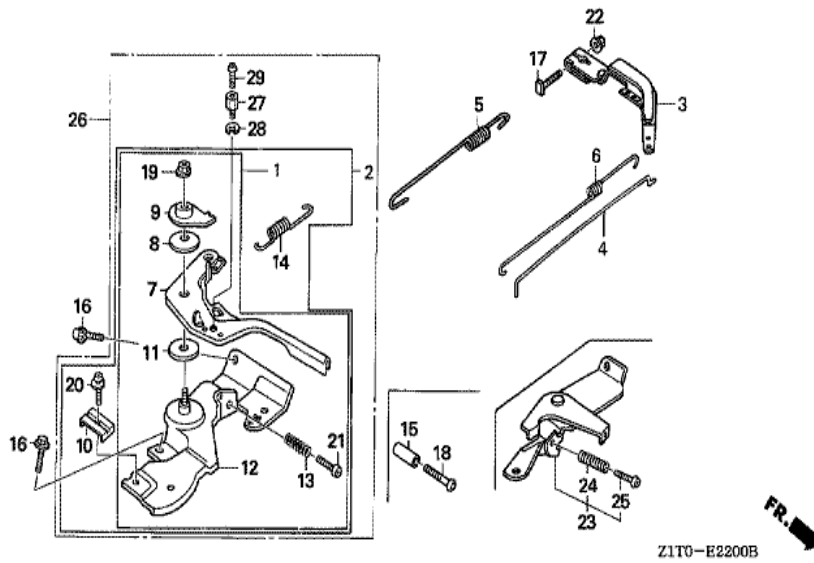
Z1T0E0200B

| Ref | Partnumber    | Description                               | GX160H1 | Serial Numbers |
|-----|---------------|---|---------|----------------|
| 001 | 12204-ZE1-306 | GUIDE, IN. VALVE (OS)                     | (1)     |                |
| 001 | 12204-ZE1-306 | GUIDE, IN. VALVE (OS)                     | 1       |                |
| 002 | 12205-ZE1-315 | GUIDE, EX. VALVE (OS)                     | 1       |                |
| 003 | 12210-Z1T-000 | HEAD COMP., CYLINDER                      | 1       | 1639414        |
| 003 | 12210-Z1T-010 | HEAD COMP., CYLINDER                      | 1       |                |
| 003 | 12210-Z1T-010 | HEAD COMP., CYLINDER                      | 1       | 1639415        |
| 004 | 12216-ZE5-300 | CLIP, VALVE GUIDE                         | 1       |                |
| 005 | 12251-Z1T-003 | GASKET, CYLINDER HEAD (GUANGZHOU LEAKLES) | 1       |                |
| 005 | 12251-Z1T-003 | GASKET, CYLINDER HEAD (GUANGZHOU LEAKLES) | 1       |                |
| 005 | 12251-Z1T-701 | GASKET, CYLINDER HEAD (NINGBO SIL GASKET) | 1       |                |
| 006 | 12310-ZE1-020 | COVER COMP., HEAD                         | 1       |                |
| 007 | 12312-Z1T-701 | PACKING, HEAD COVER (NINGBO SIL GASKET)   | 1       |                |
| 007 | 12391-ZE1-000 | PACKING, HEAD COVER                       | 1       |                |
| Ref | Partnumber    | Description                               | GX160H1 | Serial Numbers |
| 007 | 12391-ZE1-000 | PACKING, HEAD COVER                       | 1       |                |
| 009 | 15721-883-030 | TUBE, BREATHER                            | 1       |                |
| 010 | 90013-883-000 | BOLT, FLANGE, 6X12 (CT200)                | 4       |                |
| 011 | 90043-ZB2-003 | BOLT, STUD, 6X94                          | 2       |                |
| 012 | 90047-ZE1-000 | BOLT, STUD, 8X32                          | 2       |                |
| 013 | 94301-10160   | DOWEL PIN, 10X16                          | 2       |                |
| 014 | 95701-0806000 | BOLT, FLANGE, 8X60                        | 4       | 1615781        |
| 014 | 95723-0806000 | BOLT, FLANGE, 8X60                        | 4       | 1615780        |
| 014 | 95723-0806000 | BOLT, FLANGE, 8X60                        | 4       | 1615780        |
| 015 | 98079-55846   | PLUG, SPARK (BPR5ES) (NGK)                | (1)     |                |
| 015 | 98079-55855   | PLUG, SPARK (W16EPR-U) (DENSO)            | (1)     |                |
| 015 | 98079-55855   | PLUG, SPARK (W16EPR-U) (DENSO)            | (1)     |                |
| 015 | 98079-56846   | PLUG, SPARK (BPR6ES) (NGK)                | 1       |                |
| 015 | 98079-56846   | PLUG, SPARK (BPR6ES) (NGK)                | 1       |                |
| 015 | 98079-56846   | PLUG, SPARK (BPR6ES) (NGK)                | 1       |                |
| 015 | 98079-56855   | PLUG, SPARK (W20EPR-U) (DENSO)            | 1       |                |
| 015 | 98079-56855   | PLUG, SPARK (W20EPR-U) (DENSO)            | 1       |                |
| 015 | 98079-56855   | PLUG, SPARK (W20EPR-U) (DENSO)            | 1       |                |

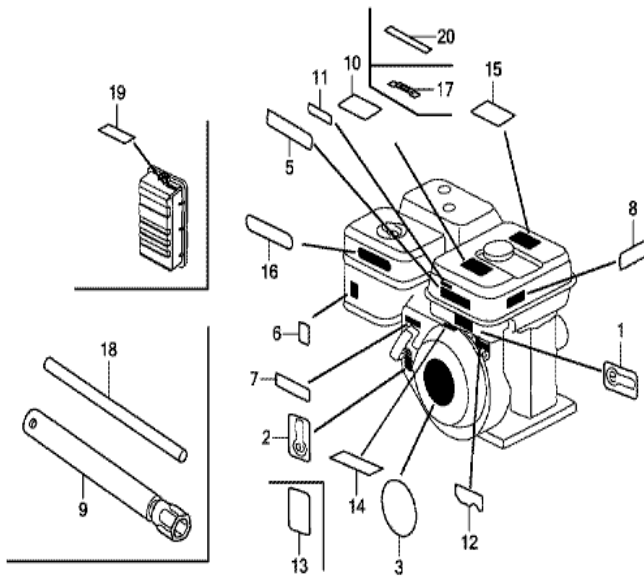


FR.   
Z1T0E2000

| Ref | Partnumber    | Description                       | GX160H1 | Serial Numbers  |
|-----|---------------|-----------------------------------|---------|-----------------|
| 001 | 30500-Z1T-003 | COIL ASSY., IGNITION              | 1       | 1478099         |
| 001 | 30500-Z1T-013 | COIL ASSY., IGNITION              | 1       | 1478100 1727332 |
| 001 | 30500-Z1T-023 | COIL ASSY., IGNITION (TEC)        | 1       | 1727333         |
| 003 | 30700-Z1T-003 | CAP ASSY., NOISE SUPPRESSOR (TEC) | 1       |                 |
| 009 | 36101-ZE1-010 | CORD, STOP SWITCH (370MM)         | 1       |                 |
| 009 | 36101-ZE1-010 | CORD, STOP SWITCH (370MM)         | 1       |                 |
| 012 | 90121-952-000 | BOLT, FLANGE, 6X25 (CT200)        | 2       |                 |

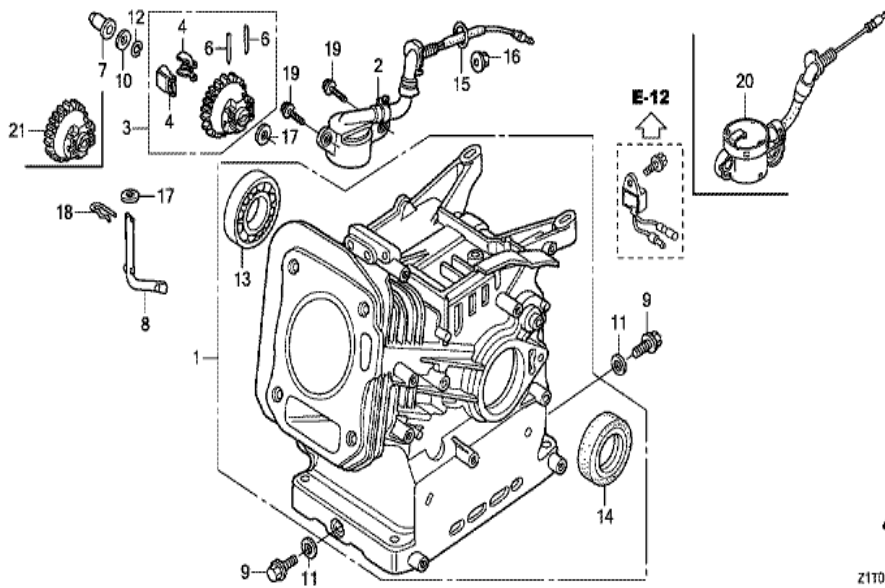


| Ref | Partnumber    | Description                | GX160H1 | Serial Numbers |
|-----|---------------|----------------------------|---------|----------------|
| 003 | 16551-ZE0-010 | ARM, GOVERNOR              | 1       |                |
| 004 | 16555-ZE1-000 | ROD, GOVERNOR              | 1       |                |
| 005 | 16561-Z1T-D00 | SPRING, GOVERNOR           | 1       |                |
| 006 | 16562-ZE1-020 | SPRING, THROTTLE RETURN    | 1       |                |
| 016 | 90013-883-000 | BOLT, FLANGE, 6X12 (CT200) | 2       |                |
| 017 | 90015-ZE5-010 | BOLT, GOVERNOR ARM         | 1       |                |
| 022 | 94050-06000   | NUT, FLANGE, 6MM           | 1       |                |
| 023 | 16570-ZB2-000 | CONTROL ASSY.              | 1       |                |
| 023 | 16570-ZB2-000 | CONTROL ASSY.              | 1       |                |
| 024 | 16584-883-300 | SPRING, CONTROL ADJUSTING  | 1       |                |
| 025 | 93500-050350A | SCREW, PAN, 5X35           | 1       |                |
| 025 | 93500-050350A | SCREW, PAN, 5X35           | 1       |                |



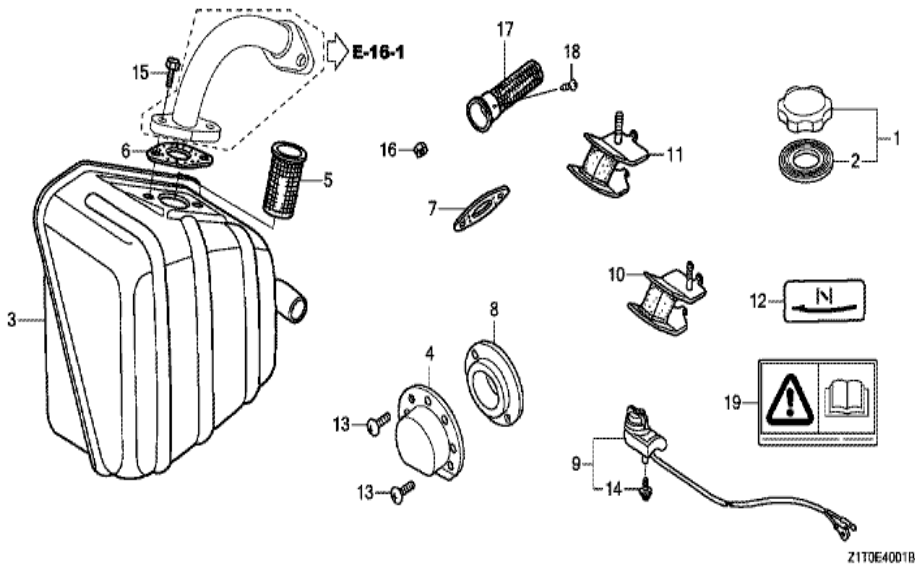
Z110E2800G

| Ref | Partnumber    | Description                             | GX160H1 | Serial Numbers |
|-----|---------------|---|---------|----------------|
| 002 | 87135-ZE2-020 | LABEL, E-SPEC (15.5X27.5)               | 1       |                |
| 002 | 87135-ZE2-020 | LABEL, E-SPEC (15.5X27.5)               | 1       |                |
| 003 | 87521-ZH8-030 | EMBLEM (GX160 5.5)                      | 1       | 1548651        |
| 003 | 87521-ZH8-040 | EMBLEM (GX160)                          | 1       |                |
| 003 | 87521-ZH8-040 | EMBLEM (GX160)                          | 1       | 1548652        |
| 013 | 87114-ZH7-000 | LABEL, WARNING (NOT CERTIFIED FOR SALE) | 1       |                |
| 013 | 87114-ZH7-000 | LABEL, WARNING (NOT CERTIFIED FOR SALE) | 1       | 1181095        |

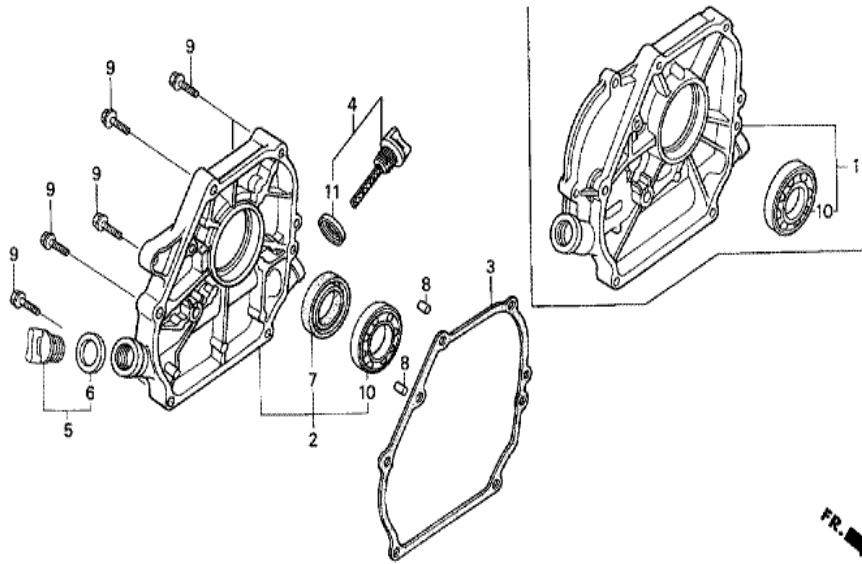


FR. →  
Z1T0E03000

| Ref | Partnumber    | Description                          | GX160H1 | Serial Numbers |
|-----|---------------|--------------------------------------|---------|----------------|
| 001 | 12000-Z1T-406 | BARREL ASSY., CYLINDER               | 1       |                |
| 001 | 12000-Z1T-810 | BARREL ASSY., CYLINDER (OIL ALERT)   | 1       |                |
| 001 | 12000-Z1T-810 | BARREL ASSY., CYLINDER (OIL ALERT)   | 1       |                |
| 002 | 15510-ZE1-033 | SWITCH ASSY., OIL LEVEL              | 1       |                |
| 003 | 16510-Z1T-000 | GOVERNOR ASSY.                       | 1       |                |
| 003 | 16510-Z1T-000 | GOVERNOR ASSY.                       | 1       |                |
| 004 | 16511-ZE1-000 | WEIGHT, GOVERNOR                     | 2       |                |
| 005 | 16512-ZE1-000 | HOLDER, GOVERNOR WEIGHT              | 1       |                |
| 006 | 16513-ZE1-000 | PIN, GOVERNOR WEIGHT                 | 2       |                |
| 007 | 16531-Z1T-000 | SLIDER, GOVERNOR                     | 1       |                |
| 007 | 16531-Z1T-000 | SLIDER, GOVERNOR                     | 1       |                |
| 008 | 16541-Z1T-000 | SHAFT, GOVERNOR ARM                  | 1       |                |
| 008 | 16541-Z1T-000 | SHAFT, GOVERNOR ARM                  | 1       |                |
| Ref | Partnumber    | Description                          | GX160H1 | Serial Numbers |
| 009 | 90131-ZE1-000 | BOLT, DRAIN PLUG                     | 2       |                |
| 010 | 90451-Z1T-000 | WASHER, THRUST, 6MM                  | 1       |                |
| 010 | 90451-Z1T-000 | WASHER, THRUST, 6MM                  | 1       |                |
| 011 | 90601-ZE1-000 | WASHER, DRAIN PLUG, 10.2MM           | 2       |                |
| 012 | 90602-ZE1-000 | CLIP, GOVERNOR HOLDER                | 1       |                |
| 013 | 91001-Z1T-003 | BEARING, RADIAL BALL, 6205 (NSK)     | 1       |                |
| 013 | 91001-ZF1-003 | BEARING, RADIAL BALL (6205TMB) (NTN) | 1       |                |
| 013 | 91001-ZF1-003 | BEARING, RADIAL BALL (6205TMB) (NTN) | 1       |                |
| 013 | 91001-ZF1-004 | BEARING, RADIAL BALL (6205SH) (KOYO) | 1       |                |
| 013 | 91001-ZF1-004 | BEARING, RADIAL BALL (6205SH) (KOYO) | 1       |                |
| 014 | 91202-Z1T-003 | OIL SEAL, 25X41X6                    | 1       |                |
| 014 | 91202-Z1T-003 | OIL SEAL, 25X41X6                    | 1       |                |
| 015 | 91353-671-004 | O-RING, 14MM (NOK)                   | 1       |                |
| 016 | 94050-10000   | NUT, FLANGE, 10MM                    | 1       |                |
| 017 | 94101-06800   | WASHER, PLAIN, 6MM                   | 2       |                |
| 018 | 94251-08000   | PIN, LOCK, 8MM                       | 1       |                |
| 019 | 95701-0601200 | BOLT, FLANGE, 6X12                   | 2       |                |



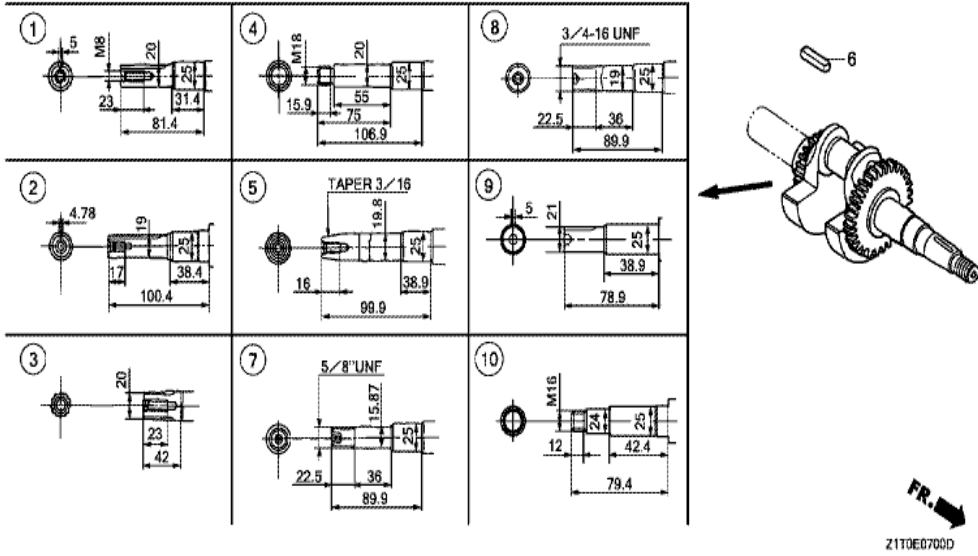
| Ref | Partnumber    | Description     | GX160H1 | Serial Numbers |
|-----|---------------|-----------------|---------|----------------|
| 007 | 18381-Z1T-003 | GASKET, MUFFLER | 1       |                |
| 007 | 18381-Z1T-003 | GASKET, MUFFLER | 1       |                |
| 016 | 94001-080000S | NUT, HEX., 8MM  | 2       |                |



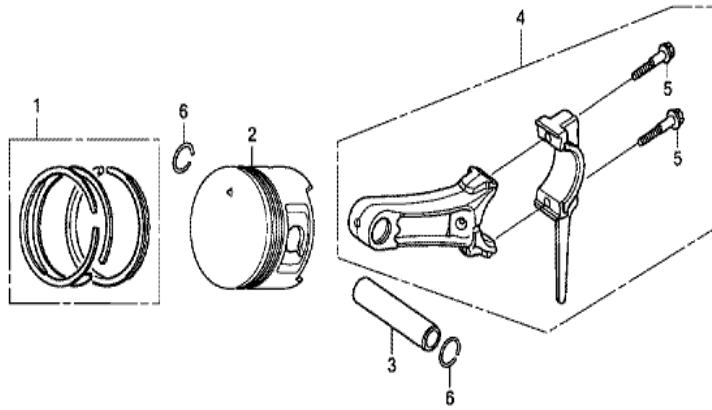
Z1T0-E0600A

| Ref | Partnumber    | Description                             | GX160H1            | Serial Numbers |                       |
|-----|---------------|---|--------------------|----------------|-----------------------|
| 002 | 11300-Z1T-630 | COVER ASSY., CRANKCASE                  | 1                  |                |                       |
| 003 | 11381-Z1T-701 | PACKING, CASE COVER (NINGBO SIL GASKET) | 1                  |                |                       |
| 003 | 11381-Z1T-701 | PACKING, CASE COVER (NINGBO SIL GASKET) | 1                  |                |                       |
| 003 | 11381-ZH8-801 | PACKING, CASE COVER (NON ASBESTOS)      | 1                  |                |                       |
| 003 | 11381-ZH8-801 | PACKING, CASE COVER (NON ASBESTOS)      | 1                  |                |                       |
| 004 | 15600-Z1T-000 | CAP ASSY., OIL FILLER                   | 1                  |                |                       |
| 004 | 15600-Z1T-000 | CAP ASSY., OIL FILLER                   | 1                  |                |                       |
| 005 | 15600-Z1T-600 | CAP ASSY., OIL FILLER                   | 1                  |                |                       |
| 005 | 15600-Z1T-600 | CAP ASSY., OIL FILLER                   | 1                  |                |                       |
| 006 | 15625-Z1T-000 | PACKING, OIL FILLER CAP                 | 1                  |                |                       |
| 006 | 15625-Z1T-000 | PACKING, OIL FILLER CAP                 | 1                  |                |                       |
| 007 | 91202-Z1T-003 | OIL SEAL, 25X41X6                       | 1                  |                |                       |
| 007 | 91202-Z1T-003 | OIL SEAL, 25X41X6                       | 1                  |                |                       |
|     | <u>Ref</u>    | <u>Partnumber</u>                       | <u>Description</u> | <u>GX160H1</u> | <u>Serial Numbers</u> |
| 008 | 94301-08140   | DOWEL PIN, 8X14                         | 2                  |                |                       |
| 009 | 95701-0803200 | BOLT, FLANGE, 8X32                      | 6                  |                |                       |
| 010 | 96100-6205000 | BEARING, RADIAL BALL, 6205              | 1                  |                |                       |
| 011 | 15625-Z1T-000 | PACKING, OIL FILLER CAP                 | 1                  |                |                       |
| 011 | 15625-Z1T-000 | PACKING, OIL FILLER CAP                 | 1                  |                |                       |





| Ref | Partnumber    | Description      | GX160H1 | Serial Numbers |
|-----|---------------|------------------|---------|----------------|
| 005 | 13310-Z1T-670 | CRANKSHAFT COMP. | 1       |                |
| 005 | 13310-Z1T-670 | CRANKSHAFT COMP. | 1       |                |



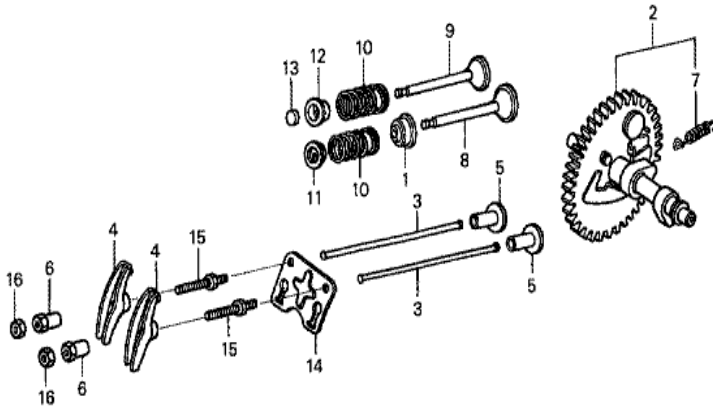
FR. →  
Z1T0E08000

| Ref | Partnumber    | Description                               | GX160H1 | Serial Numbers  |
|-----|---------------|---|---------|-----------------|
| 001 | 13010-Z1T-003 | RING SET, PISTON (STD.) (RIKEN)           | 1       | 1401859         |
| 001 | 13010-Z1T-701 | RING SET, PISTON (STD.) (FUJIAN DONGYA M) | 1       |                 |
| 001 | 13010-Z1T-701 | RING SET, PISTON (STD.) (FUJIAN DONGYA M) | 1       |                 |
| 001 | 13010-Z1T-801 | RING SET, PISTON (STD.) (RIKEN)           | 1       | 1639414         |
| 001 | 13010-Z1T-801 | RING SET, PISTON (STD.) (RIKEN)           | 1       | 1401860         |
| 001 | 13010-Z1T-801 | RING SET, PISTON (STD.) (RIKEN)           | 1       | 1401860 1639414 |
| 001 | 13010-Z4K-004 | RING SET, PISTON (STD.) (TPR)             | 1       | 1639415         |
| 001 | 13010-Z4K-004 | RING SET, PISTON (STD.) (TPR)             | 1       |                 |
| 001 | 13010-Z4K-004 | RING SET, PISTON (STD.) (TPR)             | 1       | 1639415         |
| 001 | 13010-Z4P-003 | RING SET, PISTON (STD.) (RIKEN)           | 1       | 1639415         |
| 001 | 13010-Z4P-003 | RING SET, PISTON (STD.) (RIKEN)           | 1       |                 |
| 001 | 13010-Z4P-003 | RING SET, PISTON (STD.) (RIKEN)           | 1       | 1639415         |
| 001 | 13010-ZL0-003 | RING SET, PISTON (STD.) (TEIKOKU)         | 1       | 1639414         |

| <u>Ref</u> | <u>Partnumber</u> | <u>Description</u>                       | <u>GX160H1</u> | <u>Serial Numbers</u> |
|------------|-------------------|--|----------------|-----------------------|
| 001        | 13010-ZL0-003     | RING SET, PISTON (STD.) (TEIKOKU)        | 1              | 1401859               |
| 001        | 13010-ZL0-003     | RING SET, PISTON (STD.) (TEIKOKU)        | 1              | 1639414               |
| 001        | 13010-ZL0-004     | RING SET, PISTON (STD.) (NIPPON)         | 1              | 1639414               |
| 001        | 13010-ZL0-004     | RING SET, PISTON (STD.) (NIPPON)         | 1              | 1401859               |
| 001        | 13010-ZL0-004     | RING SET, PISTON (STD.) (NIPPON)         | 1              | 1639414               |
| 001        | 13011-Z1T-003     | RING SET, PISTON (0.25) (RIKEN)          | (1)            | 1401859               |
| 001        | 13011-Z1T-003     | RING SET, PISTON (0.25) (RIKEN)          | (1)            | 1401859               |
| 001        | 13011-Z1T-003     | RING SET, PISTON (0.25) (RIKEN)          | (1)            | 1401859               |
| 001        | 13011-Z1T-701     | RING SET, PISTON (0.25) (FUJIAN DONGYA M | (1)            |                       |
| 001        | 13011-Z1T-701     | RING SET, PISTON (0.25) (FUJIAN DONGYA M | (1)            |                       |
| 001        | 13011-Z1T-801     | RING SET, PISTON (0.25) (RIKEN)          | (1)            | 1401860 1639414       |
| 001        | 13011-Z1T-801     | RING SET, PISTON (0.25) (RIKEN)          | (1)            | 1639414               |
| 001        | 13011-Z1T-801     | RING SET, PISTON (0.25) (RIKEN)          | (1)            | 1401860 1639414       |
| 001        | 13011-Z4K-004     | RING SET, PISTON (0.25) (TPR)            | (1)            | 1639415               |
| 001        | 13011-Z4K-004     | RING SET, PISTON (0.25) (TPR)            | (1)            | 1639415               |
| 001        | 13011-Z4K-004     | RING SET, PISTON (0.25) (TPR)            | (1)            | 1639415               |
| 001        | 13011-Z4P-003     | RING SET, PISTON (0.25) (RIKEN)          | (1)            | 1639415               |
| 001        | 13011-Z4P-003     | RING SET, PISTON (0.25) (RIKEN)          | (1)            | 1639415               |
| 001        | 13011-Z4P-003     | RING SET, PISTON (0.25) (RIKEN)          | (1)            | 1639415               |
| 001        | 13011-ZL0-003     | RING SET, PISTON (0.25) (TEIKOKU)        | (1)            | 1639414               |
| 001        | 13011-ZL0-003     | RING SET, PISTON (0.25) (TEIKOKU)        | (1)            | 1639414               |
| 001        | 13011-ZL0-003     | RING SET, PISTON (0.25) (TEIKOKU)        | (1)            | 1639414               |
| 001        | 13011-ZL0-004     | RING SET, PISTON (0.25) (NIPPON)         | (1)            |                       |
| 001        | 13011-ZL0-004     | RING SET, PISTON (0.25) (NIPPON)         | (1)            | 1639414               |
| 001        | 13011-ZL0-004     | RING SET, PISTON (0.25) (NIPPON)         | (1)            | 1639414               |
| 001        | 13012-Z1T-003     | RING SET, PISTON (0.50) (RIKEN)          | (1)            | 1401859               |
| 001        | 13012-Z1T-003     | RING SET, PISTON (0.50) (RIKEN)          | (1)            | 1401859               |
| 001        | 13012-Z1T-003     | RING SET, PISTON (0.50) (RIKEN)          | (1)            | 1401859               |
| 001        | 13012-Z1T-701     | RING SET, PISTON (0.50) (FUJIAN DONGYA M | (1)            |                       |
| 001        | 13012-Z1T-701     | RING SET, PISTON (0.50) (FUJIAN DONGYA M | (1)            |                       |
| 001        | 13012-Z1T-801     | RING SET, PISTON (0.50) (RIKEN)          | (1)            | 1401860 1639414       |
| 001        | 13012-Z1T-801     | RING SET, PISTON (0.50) (RIKEN)          | (1)            | 1401860 1639414       |
| 001        | 13012-Z1T-801     | RING SET, PISTON (0.50) (RIKEN)          | (1)            | 1401860 1639414       |

| <u>Ref</u> | <u>Partnumber</u> | <u>Description</u>                       | <u>GX160H1</u> | <u>Serial Numbers</u> |
|------------|-------------------|--|----------------|-----------------------|
| 001        | 13012-Z4K-004     | RING SET, PISTON (0.50) (TPR)            | (1)            | 1639415               |
| 001        | 13012-Z4K-004     | RING SET, PISTON (0.50) (TPR)            | (1)            | 1639415               |
| 001        | 13012-Z4K-004     | RING SET, PISTON (0.50) (TPR)            | (1)            | 1639415               |
| 001        | 13012-Z4P-003     | RING SET, PISTON (0.50) (RIKEN)          | (1)            |                       |
| 001        | 13012-Z4P-003     | RING SET, PISTON (0.50) (RIKEN)          | (1)            | 1639415               |
| 001        | 13012-Z4P-003     | RING SET, PISTON (0.50) (RIKEN)          | (1)            | 1639415               |
| 001        | 13012-ZL0-003     | RING SET, PISTON (0.50) (TEIKOKU)        | (1)            | 1639414               |
| 001        | 13012-ZL0-003     | RING SET, PISTON (0.50) (TEIKOKU)        | (1)            | 1639414               |
| 001        | 13012-ZL0-003     | RING SET, PISTON (0.50) (TEIKOKU)        | (1)            | 1639414               |
| 001        | 13012-ZL0-004     | RING SET, PISTON (0.50) (NIPPON)         | (1)            | 1639414               |
| 001        | 13012-ZL0-004     | RING SET, PISTON (0.50) (NIPPON)         | (1)            | 1639414               |
| 001        | 13012-ZL0-004     | RING SET, PISTON (0.50) (NIPPON)         | (1)            | 1639414               |
| 001        | 13013-Z1T-003     | RING SET, PISTON (0.75) (RIKEN)          | (1)            | 1401859               |
| 001        | 13013-Z1T-003     | RING SET, PISTON (0.75) (RIKEN)          | (1)            | 1401859               |
| 001        | 13013-Z1T-003     | RING SET, PISTON (0.75) (RIKEN)          | (1)            | 1401859               |
| 001        | 13013-Z1T-701     | RING SET, PISTON (0.75) (FUJIAN DONGYA M | (1)            |                       |
| 001        | 13013-Z1T-701     | RING SET, PISTON (0.75) (FUJIAN DONGYA M | (1)            |                       |
| 001        | 13013-Z1T-801     | RING SET, PISTON (0.75) (RIKEN)          | (1)            | 1401860 1639414       |
| 001        | 13013-Z1T-801     | RING SET, PISTON (0.75) (RIKEN)          | (1)            | 1401860 1639414       |
| 001        | 13013-Z1T-801     | RING SET, PISTON (0.75) (RIKEN)          | (1)            | 1401860 1639414       |
| 001        | 13013-Z4K-004     | RING SET, PISTON (0.75) (TPR)            | (1)            | 1639415               |
| 001        | 13013-Z4K-004     | RING SET, PISTON (0.75) (TPR)            | (1)            | 1639415               |
| 001        | 13013-Z4K-004     | RING SET, PISTON (0.75) (TPR)            | (1)            | 1639415               |
| 001        | 13013-Z4P-003     | RING SET, PISTON (0.75) (RIKEN)          | (1)            | 1639415               |
| 001        | 13013-Z4P-003     | RING SET, PISTON (0.75) (RIKEN)          | (1)            | 1639415               |
| 001        | 13013-Z4P-003     | RING SET, PISTON (0.75) (RIKEN)          | (1)            | 1639415               |
| 001        | 13013-ZL0-003     | RING SET, PISTON (0.75) (TEIKOKU)        | (1)            | 1639414               |
| 001        | 13013-ZL0-003     | RING SET, PISTON (0.75) (TEIKOKU)        | (1)            | 1639414               |
| 001        | 13013-ZL0-003     | RING SET, PISTON (0.75) (TEIKOKU)        | (1)            | 1639414               |
| 001        | 13013-ZL0-004     | RING SET, PISTON (0.75) (NIPPON)         | (1)            | 1639414               |
| 001        | 13013-ZL0-004     | RING SET, PISTON (0.75) (NIPPON)         | (1)            | 1639414               |
| 001        | 13013-ZL0-004     | RING SET, PISTON (0.75) (NIPPON)         | (1)            | 1639414               |
| 002        | 13101-Z1T-000     | PISTON (STD.) (JIALING-HONDA)            | 1              |                       |

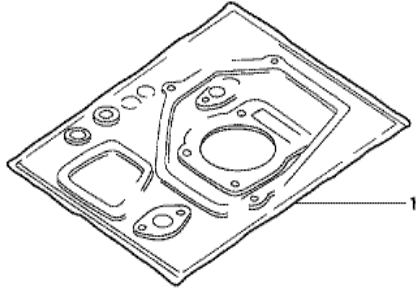
| <u>Ref</u> | <u>Partnumber</u> | <u>Description</u>            | <u>GX160H1</u> | <u>Serial Numbers</u> |
|------------|-------------------|-------------------------------|----------------|-----------------------|
| 002        | 13101-Z1T-000     | PISTON (STD.) (JIALING-HONDA) | 1              | 1639414               |
| 002        | 13101-Z1T-010     | PISTON (STD.) (JIALING-HONDA) | 1              | 1639415               |
| 002        | 13101-Z1T-010     | PISTON (STD.) (JIALING-HONDA) | 1              | 1639415               |
| 002        | 13101-ZH8-020     | PISTON (STD.)                 | 1              | 1639415               |
| 002        | 13101-ZH8-020     | PISTON (STD.)                 | 1              | 1639415               |
| 002        | 13102-ZH8-010     | PISTON (0.25)                 | (1)            | 1639414               |
| 002        | 13102-ZH8-010     | PISTON (0.25)                 | (1)            |                       |
| 002        | 13102-ZH8-010     | PISTON (0.25)                 | (1)            | 1639414               |
| 002        | 13102-ZH8-020     | PISTON (0.25)                 | (1)            | 1639415               |
| 002        | 13102-ZH8-020     | PISTON (0.25)                 | (1)            |                       |
| 002        | 13102-ZH8-020     | PISTON (0.25)                 | (1)            | 1639415               |
| 002        | 13103-ZH8-010     | PISTON (0.50)                 | (1)            | 1639414               |
| 002        | 13103-ZH8-010     | PISTON (0.50)                 | (1)            | 1639414               |
| 002        | 13103-ZH8-010     | PISTON (0.50)                 | (1)            |                       |
| 002        | 13103-ZH8-010     | PISTON (0.50)                 | (1)            | 1639414               |
| 002        | 13103-ZH8-020     | PISTON (0.50)                 | (1)            |                       |
| 002        | 13103-ZH8-020     | PISTON (0.50)                 | (1)            | 1639415               |
| 002        | 13103-ZH8-020     | PISTON (0.50)                 | (1)            |                       |
| 002        | 13103-ZH8-020     | PISTON (0.50)                 | (1)            | 1639415               |
| 002        | 13104-ZH8-010     | PISTON (0.75)                 | (1)            | 1639414               |
| 002        | 13104-ZH8-010     | PISTON (0.75)                 | (1)            | 1639414               |
| 002        | 13104-ZH8-010     | PISTON (0.75)                 | (1)            |                       |
| 002        | 13104-ZH8-010     | PISTON (0.75)                 | (1)            | 1639414               |
| 002        | 13104-ZH8-020     | PISTON (0.75)                 | (1)            | 1639415               |
| 002        | 13104-ZH8-020     | PISTON (0.75)                 | (1)            | 1639415               |
| 002        | 13104-ZH8-020     | PISTON (0.75)                 | (1)            |                       |
| 002        | 13104-ZH8-020     | PISTON (0.75)                 | (1)            | 1639415               |
| 003        | 13111-Z1T-000     | PIN, PISTON                   | 1              |                       |
| 004        | 13200-Z0T-800     | ROD ASSY., CONNECTING (TH)    | 1              |                       |
| 005        | 90001-ZE1-000     | BOLT, CONNECTING ROD          | 2              |                       |
| 005        | 90001-ZE1-000     | BOLT, CONNECTING ROD          | 2              |                       |
| 006        | 90551-ZE1-000     | CLIP, PISTON PIN, 18MM        | 2              |                       |



Z1T0-E0900



| <u>Ref</u> | <u>Partnumber</u> | <u>Description</u>         | <u>GX160H1</u> | <u>Serial Numbers</u> |
|------------|-------------------|----------------------------|----------------|-----------------------|
| 001        | 12209-ZH8-003     | SEAL, VALVE STEM           | 1              |                       |
| 002        | 14100-Z1T-810     | CAMSHAFT ASSY. (JLH)       | 1              |                       |
| 002        | 14100-Z1T-810     | CAMSHAFT ASSY. (JLH)       | 1              |                       |
| 003        | 14410-ZE1-010     | ROD, PUSH                  | 2              |                       |
| 004        | 14431-ZE1-000     | ARM, VALVE ROCKER          | 2              |                       |
| 005        | 14441-ZE1-010     | LIFTER, VALVE              | 2              |                       |
| 006        | 14451-ZE1-013     | PIVOT, ROCKER ARM          | 2              |                       |
| 006        | 14451-ZE1-013     | PIVOT, ROCKER ARM          | 2              |                       |
| 007        | 14568-ZE1-000     | SPRING, WEIGHT RETURN      | 1              |                       |
| 008        | 14711-ZF1-000     | VALVE, IN.                 | 1              |                       |
| 009        | 14721-ZF1-000     | VALVE, EX.                 | 1              |                       |
| 010        | 14751-ZF1-000     | SPRING, VALVE              | 2              |                       |
| 011        | 14771-ZE1-000     | RETAINER, IN. VALVE SPRING | 1              |                       |
| <u>Ref</u> | <u>Partnumber</u> | <u>Description</u>         | <u>GX160H1</u> | <u>Serial Numbers</u> |
| 012        | 14773-ZE1-000     | RETAINER, EX. VALVE SPRING | 1              |                       |
| 013        | 14781-ZE1-000     | ROTATOR, VALVE             | 1              |                       |
| 014        | 14791-ZE1-010     | PLATE, PUSH ROD GUIDE      | 1              |                       |
| 015        | 90012-ZE0-010     | BOLT, PIVOT, 8MM           | 2              |                       |
| 016        | 90206-ZE1-000     | NUT, PIVOT ADJUSTING       | 2              |                       |



HENG-X0003

| <u>Ref</u> | <u>Partnumber</u> | <u>Description</u>             | <u>GX160H1</u> | <u>Serial Numbers</u> |
|------------|-------------------|--------------------------------|----------------|-----------------------|
| 001        | 06111-Z1T-700     | GASKET KIT (NINGBO SIL GASKET) | (1)            |                       |
| 001        | 06111-Z1T-N30     | GASKET KIT                     | (1)            |                       |
| 001        | 06111-Z1T-N30     | GASKET KIT                     | (1)            |                       |
| 001        | 06111-Z1T-N30     | GASKET KIT                     | (1)            |                       |