



ZIT0-E1100A

Ref	Partnumber	Description	GX160H1	Serial Numbers
002	28410-ZH8-003ZB	CASE COMP., RECOIL STARTER *NH1 *	1	
002	28410-ZH8-003ZB	CASE COMP., RECOIL STARTER *NH1 *	1	
002	28410-ZH8-003ZB	CASE COMP., RECOIL STARTER *NH1 *	1	
002	28410-ZH8-003ZB	CASE COMP., RECOIL STARTER *NH1 *	1	3327695
002	28410-ZH8-003ZB	CASE COMP., RECOIL STARTER *NH1 *	1	3327695
003	28421-Z0T-003	REEL, RECOIL STARTER	1	2608293 3327695
003	28421-Z0T-003	REEL, RECOIL STARTER	1	2608293 3327695
003	28421-ZH8-801	REEL, RECOIL STARTER (BLACK)	1	
003	28421-ZH8-801	REEL, RECOIL STARTER (BLACK)	1	2608292
003	28421-ZH8-801	REEL, RECOIL STARTER (BLACK)	1	2608292
007	28442-ZH8-003	SPRING, RECOIL STARTER	1	3315889
007	28442-ZH8-003	SPRING, RECOIL STARTER	1	3327695
007	28442-ZH8-003	SPRING, RECOIL STARTER	1	3327695

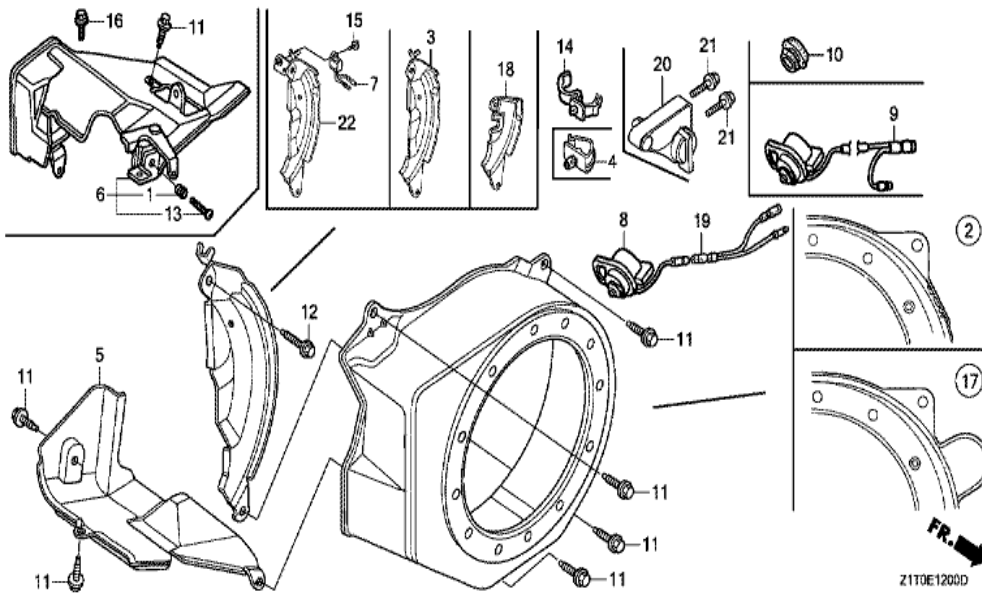
<u>Ref</u>	<u>Partnumber</u>	<u>Description</u>	<u>GX160H1</u>	<u>Serial Numbers</u>
009	28461-ZH8-003	GRIP, STARTER	1	
009	28461-ZH8-003	GRIP, STARTER	1	
009	28461-ZH8-003	GRIP, STARTER	1	2066868
009	28461-ZH8-013	KNOB, RECOIL STARTER	1	2066869
009	28461-ZH8-013	KNOB, RECOIL STARTER	1	1267933
009	28461-ZH8-013	KNOB, RECOIL STARTER	1	2066869 3327695
009	28461-ZH8-013	KNOB, RECOIL STARTER	1	2066869 3327695
010	28462-ZH8-003	ROPE, RECOIL STARTER	1	3315889
010	28462-ZH8-003	ROPE, RECOIL STARTER	1	3327695
010	28462-ZH8-003	ROPE, RECOIL STARTER	1	3327695
012	90008-Z1T-000	BOLT, FLANGE, 6X10	3	3315889
012	90008-Z1T-000	BOLT, FLANGE, 6X10	3	3327695
012	90008-Z1T-000	BOLT, FLANGE, 6X10	3	3603014
013	28400-Z0T-003ZA	STARTER ASSY., RECOIL *NH1*	1	2608293 3327695
013	28400-Z0T-003ZA	STARTER ASSY., RECOIL *NH1*	1	2608293 3327695
013	28400-ZH8-023ZB	STARTER ASSY., RECOIL *NH1*	1	1056096 2066868
013	28400-ZH8-023ZB	STARTER ASSY., RECOIL *NH1*	1	2066868
013	28400-ZH8-023ZB	STARTER ASSY., RECOIL *NH1*	1	2066868
013	28400-ZH8-023ZB	STARTER ASSY., RECOIL *NH1*	1	2066868
013	28400-ZH8-033ZB	STARTER ASSY., RECOIL *NH1*	1	2066869
013	28400-ZH8-033ZB	STARTER ASSY., RECOIL *NH1*	1	2066869
013	28400-ZH8-033ZB	STARTER ASSY., RECOIL *NH1*	1	2066869 2608292
013	28400-ZH8-033ZB	STARTER ASSY., RECOIL *NH1*	1	2066869 2608292
014	28422-ZH8-801	RATCHET, STARTER	2	3315889
014	28422-ZH8-801	RATCHET, STARTER	2	3327695
014	28422-ZH8-801	RATCHET, STARTER	2	3327695
015	28431-ZH8-801	PLATE, FRICTION	1	3315889
015	28431-ZH8-801	PLATE, FRICTION	1	3327695
015	28431-ZH8-801	PLATE, FRICTION	1	3327695
016	28433-ZH8-801	GUIDE, RATCHET	1	3315889
016	28433-ZH8-801	GUIDE, RATCHET	1	3327695
016	28433-ZH8-801	GUIDE, RATCHET	1	3327695
017	28441-ZH8-801	SPRING, FRICTION	1	3315889
<u>Ref</u>	<u>Partnumber</u>	<u>Description</u>	<u>GX160H1</u>	<u>Serial Numbers</u>
017	28441-ZH8-801	SPRING, FRICTION	1	3327695
017	28441-ZH8-801	SPRING, FRICTION	1	3327695
018	28443-ZH8-801	SPRING, RETURN	2	3315889
018	28443-ZH8-801	SPRING, RETURN	2	3327695
018	28443-ZH8-801	SPRING, RETURN	2	3327695
019	90003-ZH8-801	SCREW, SETTING	1	3315889
019	90003-ZH8-801	SCREW, SETTING	1	3327695
019	90003-ZH8-801	SCREW, SETTING	1	3327695



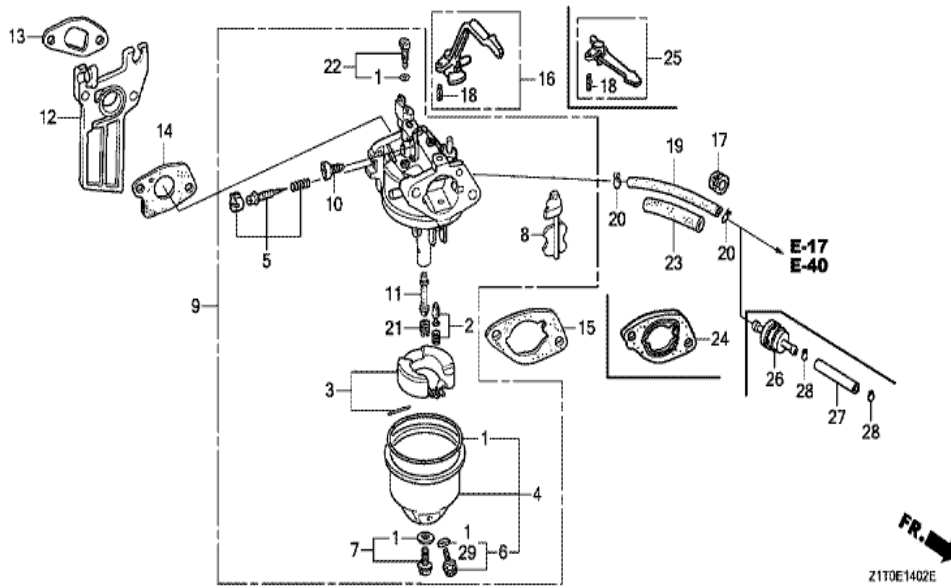
Z1T0E1102B

Ref	Partnumber	Description	GX160H1	Serial Numbers
001	28400-Z1T-701ZD	STARTER ASSY., RECOIL *NH1*	1	3327696 3807941
001	28400-Z1T-701ZD	STARTER ASSY., RECOIL *NH1*	1	3327696 3807941
001	28400-Z1T-702ZD	STARTER ASSY., RECOIL *NH1*	1	3807942
001	28400-Z1T-702ZD	STARTER ASSY., RECOIL *NH1*	1	
001	28400-Z1T-702ZD	STARTER ASSY., RECOIL *NH1*	1	3807942
002	28410-Z1T-701ZD	CASE COMP., RECOIL STARTER *NH1*	1	3315890
002	28410-Z1T-701ZD	CASE COMP., RECOIL STARTER *NH1*	1	3327696
002	28410-Z1T-701ZD	CASE COMP., RECOIL STARTER *NH1*	1	3327696
003	28421-Z1T-702	REEL, RECOIL STARTER (BLACK)	1	1267934
003	28421-Z1T-702	REEL, RECOIL STARTER (BLACK)	1	3807942
004	28422-Z1T-701	RATCHET, STARTER	2	3315890
004	28422-Z1T-701	RATCHET, STARTER	2	3327696
004	28422-Z1T-701	RATCHET, STARTER	2	3603015

<u>Ref</u>	<u>Partnumber</u>	<u>Description</u>	<u>GX160H1</u>	<u>Serial Numbers</u>
005	28433-Z1T-702	GUIDE, RATCHET	1	1267934
005	28433-Z1T-702	GUIDE, RATCHET	1	3807942
007	28442-ZH8-003	SPRING, RECOIL STARTER	1	3315890
007	28442-ZH8-003	SPRING, RECOIL STARTER	1	3327696
007	28442-ZH8-003	SPRING, RECOIL STARTER	1	3603015
008	28443-Z1T-701	SPRING, RETURN	2	3315890
008	28443-Z1T-701	SPRING, RETURN	2	3327696
008	28443-Z1T-701	SPRING, RETURN	2	3603015
009	28461-ZH8-013	KNOB, RECOIL STARTER	1	3315890
009	28461-ZH8-013	KNOB, RECOIL STARTER	1	3327696
009	28461-ZH8-013	KNOB, RECOIL STARTER	1	3327696
010	28462-Z1T-701	ROPE, RECOIL STARTER	1	3315890
010	28462-Z1T-701	ROPE, RECOIL STARTER	1	3327696
010	28462-Z1T-701	ROPE, RECOIL STARTER	1	3603015
011	90003-ZH8-801	SCREW, SETTING	1	1267934
011	90003-ZH8-801	SCREW, SETTING	1	3807942
012	90008-Z1T-000	BOLT, FLANGE, 6X10	3	3327696
012	90008-Z1T-000	BOLT, FLANGE, 6X10	3	3603015
013	28431-ZH8-801	PLATE, FRICTION	1	1267934
013	28431-ZH8-801	PLATE, FRICTION	1	3807942
014	28441-ZH8-801	SPRING, FRICTION	1	1267934
014	28441-ZH8-801	SPRING, FRICTION	1	3807942
015	06280-Z1T-305	STARTER SET, RECOIL	1	3327696 3807941
015	06280-Z1T-305	STARTER SET, RECOIL	1	3603015 3918998

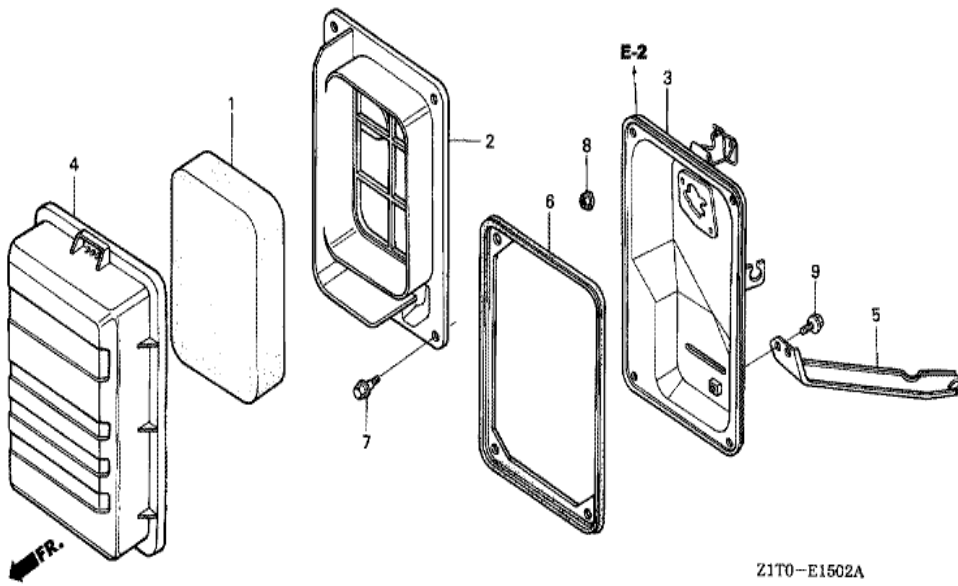


Ref	Partnumber	Description	GX160H1	Serial Numbers
001	16584-883-300	SPRING, CONTROL ADJUSTING	1	
002	19610-ZE1-010ZC	COVER COMP., FAN *NH1 *	1	1639415
002	19610-ZE1-010ZC	COVER COMP., FAN *NH1 *	1	
002	19610-ZE1-010ZC	COVER COMP., FAN *NH1 *	1	
004	19613-ZE1-020	CLAMP, CORD	1	
005	19630-Z1T-600	SHROUD COMP.	1	
005	19630-ZB2-000	SHROUD COMP., LOWER	1	
006	19640-ZB2-010	SHROUD ASSY., UPPER	1	
007	34150-ZH7-013	ALERT UNIT, OIL	1	
010	81329-567-020	GROMMET, DRAIN HOLE	1	
011	90013-883-000	BOLT, FLANGE, 6X12 (CT200)	6	
011	90013-883-000	BOLT, FLANGE, 6X12 (CT200)	8	
012	90022-888-010	BOLT, FLANGE, 6X20 (CT200)	1	
Ref	Partnumber	Description	GX160H1	Serial Numbers
013	93500-050350A	SCREW, PAN, 5X35	1	
015	95701-0600800	BOLT, FLANGE, 6X8	1	
016	95701-0600800	BOLT, FLANGE, 6X8	1	
022	19611-ZH8-810	PLATE COMP., SIDE (OIL ALERT)	1	
022	19611-ZH8-810	PLATE COMP., SIDE (OIL ALERT)	1	



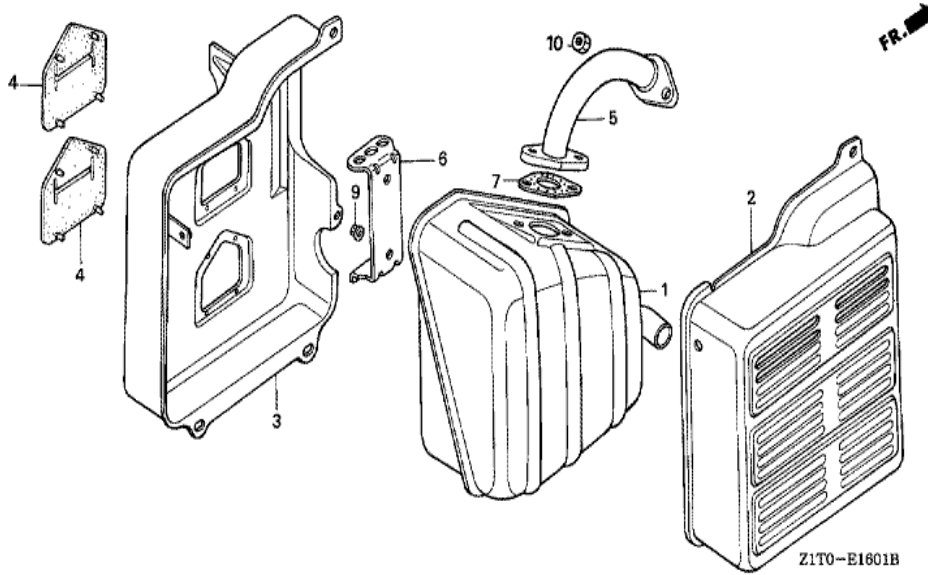
Ref	Partnumber	Description	GX160H1	Serial Numbers
001	16010-ZB1-015	GASKET SET	1	
002	16011-ZE0-005	VALVE SET, FLOAT	1	
003	16013-Z0S-B01	FLOAT SET	1	
003	16013-Z0S-B01	FLOAT SET	1	BE67M A
004	16015-ZE0-831	CHAMBER SET, FLOAT	1	
005	16016-ZH7-W01	SCREW SET, PILOT	1	
006	16024-ZE1-811	SCREW SET, DRAIN	1	
007	16028-ZE0-005	SCREW SET	1	
008	16044-ZE0-005	CHOKE SET	1	
009	16100-Z1T-E81	CARBURETOR ASSY. (BE67M A)	1	
009	16100-Z1T-E81	CARBURETOR ASSY. (BE67M A)	1	1463634
010	16124-ZE0-005	SCREW, THROTTLE STOP	1	
011	16166-ZH8-E80	NOZZLE, MAIN	1	

<u>Ref</u>	<u>Partnumber</u>	<u>Description</u>	<u>GX160H1</u>	<u>Serial Numbers</u>
012	16211-Z1T-000	INSULATOR, CARBURETOR (JLH)	1	
012	16211-Z1T-000	INSULATOR, CARBURETOR (JLH)	1	
013	16212-Z1T-701	PACKING, INSULATOR (NINGBO SIL GASKET)	1	
013	16212-Z1T-701	PACKING, INSULATOR (NINGBO SIL GASKET)	1	
013	16212-ZH8-800	PACKING, INSULATOR	1	
013	16212-ZH8-800	PACKING, INSULATOR	1	
014	16221-Z1T-701	PACKING, CARBURETOR (NINGBO SIL GASKET)	1	
014	16221-Z1T-701	PACKING, CARBURETOR (NINGBO SIL GASKET)	1	
014	16221-ZH8-801	PACKING, CARBURETOR	1	
014	16221-ZH8-801	PACKING, CARBURETOR	1	
015	16269-Z1T-701	PACKING, AIR CLEANER (NINGBO SIL GASKET)	1	
015	16269-Z1T-701	PACKING, AIR CLEANER (NINGBO SIL GASKET)	1	
015	16269-ZE1-800	PACKING, AIR CLEANER	1	
015	16269-ZE1-800	PACKING, AIR CLEANER	1	
016	16610-ZB2-000	LEVER COMP., CHOKE	1	
016	16610-ZB2-000	LEVER COMP., CHOKE	1	
017	90854-ZB3-000	RUBBER, FUEL (9X15X20)	1	
018	94305-20122	PIN, SPRING, 2X12	1	
019	95001-4518040	TUBE, FUEL, 4.5X180 (95001-45001-60M)	1	
019	95001-4518040	TUBE, FUEL, 4.5X180 (95001-45001-60M)	1	
020	95002-02080	CLIP, TUBE (B8)	2	
020	95002-02080	CLIP, TUBE (B8)	2	
021	99101-ZH80700	JET, MAIN, #70	(1)	
021	99101-ZH80700	JET, MAIN, #70	(1)	
021	99101-ZH80720	JET, MAIN, #72	(1)	
021	99101-ZH80720	JET, MAIN, #72	(1)	
021	99101-ZH80750	JET, MAIN, #75	1	
021	99101-ZH80750	JET, MAIN, #75	1	
022	99204-ZE00350	JET SET, PILOT, #35	1	
029	16141-ZOS-003	WASHER, PLAIN (6.2X10.7 DRAIN)	1	
029	16141-ZOS-003	WASHER, PLAIN (6.2X10.7 DRAIN)	1	

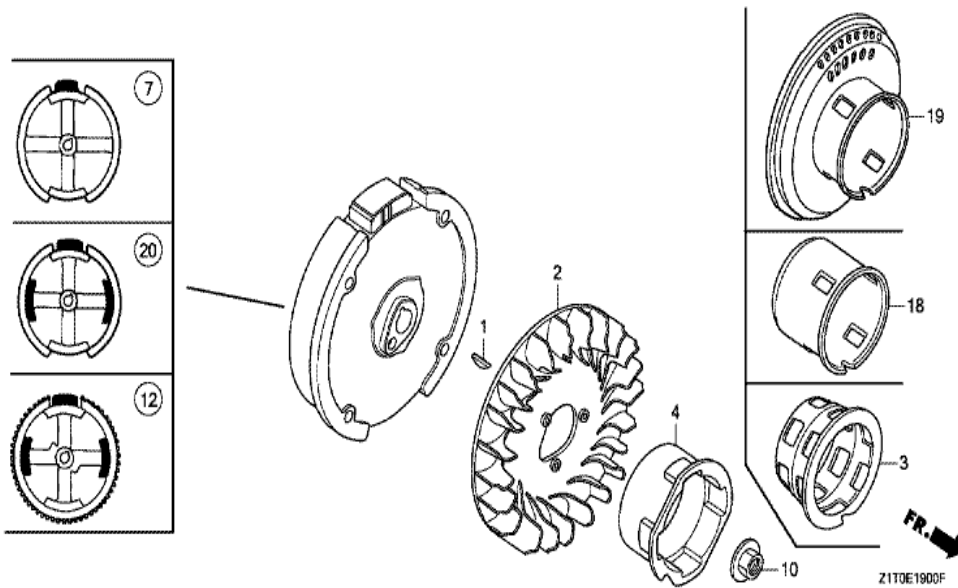


Z1T0-E1502A

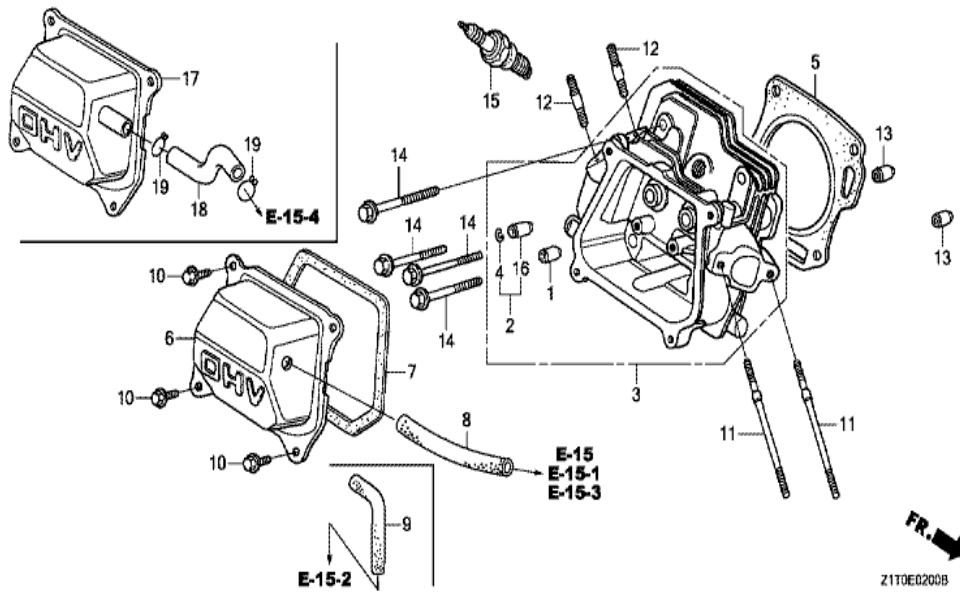
Ref	Partnumber	Description	GX160H1	Serial Numbers
001	17211-ZB2-000	ELEMENT, AIR CLEANER	1	
002	17212-ZB2-000	SEPARATOR, AIR CLEANER	1	
003	17220-ZB2-000	CASE COMP., AIR CLEANER	1	
004	17231-ZB2-000	COVER, AIR CLEANER	1	
005	17239-ZB2-000	STAY, AIR CLEANER	1	
006	17252-Z1T-000	SEAL, AIR CLEANER	1	
006	17252-Z1T-000	SEAL, AIR CLEANER	1	1548985
007	90017-Z1T-000	BOLT, SPECIAL, 5MM	4	
007	90017-Z1T-000	BOLT, SPECIAL, 5MM	4	1962599
008	94050-06080	NUT, FLANGE, 6MM	2	
009	95701-0601000	BOLT, FLANGE, 6X10	1	



<u>Ref</u>	<u>Partnumber</u>	<u>Description</u>	<u>GX160H1</u>	<u>Serial Numbers</u>
001	18310-Z1T-T21	MUFFLER COMP.	1	3603015
001	18310-Z1T-T21	MUFFLER COMP.	1	3603015
001	18310-ZB3-C00	MUFFLER COMP.	1	
001	18310-ZB3-C00	MUFFLER COMP.	1	3603014
001	18310-ZB3-C00	MUFFLER COMP.	1	3603014
002	18320-ZB2-000	PROTECTOR, MUFFLER OUTER	1	
003	18325-ZB2-000	PROTECTOR, MUFFLER INNER	1	
004	18329-ZB2-000	SEAL, MUFFLER PROTECTOR	2	
005	18330-Z1T-T20	PIPE COMP., EX.	1	
005	18330-Z1T-T20	PIPE COMP., EX.	1	1548985
006	18338-ZB3-E30	STAY, MUFFLER	1	
007	18381-Z1T-003	GASKET, MUFFLER	1	
007	18381-Z1T-003	GASKET, MUFFLER	1	
<u>Ref</u>	<u>Partnumber</u>	<u>Description</u>	<u>GX160H1</u>	<u>Serial Numbers</u>
007	18381-Z1T-701	GASKET, MUFFLER (NINGBO SIL GASKET)	1	
007	18381-Z1T-701	GASKET, MUFFLER (NINGBO SIL GASKET)	1	
009	94050-06000	NUT, FLANGE, 6MM	2	
010	94001-080000S	NUT, HEX., 8MM	2	

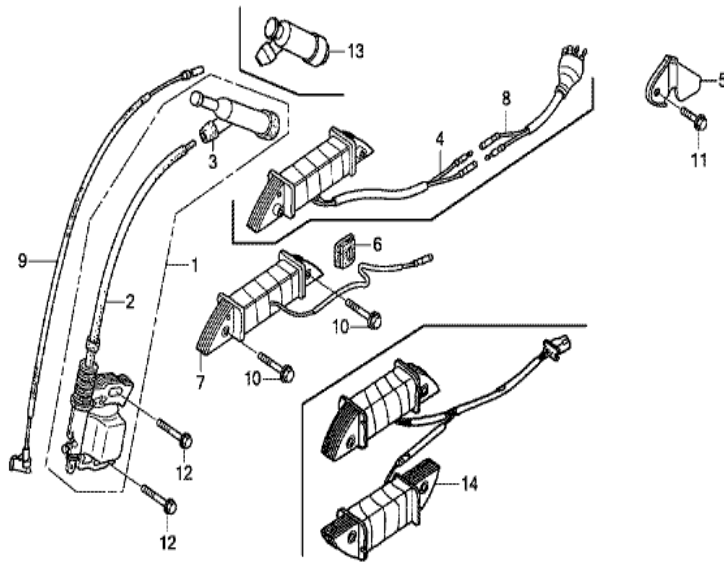


Ref	Partnumber	Description	GX160H1	Serial Numbers
001	13331-357-000	KEY, SPECIAL WOODRUFF, 25X18	1	
002	19511-Z1T-000	FAN, COOLING	1	
002	19511-Z1T-000	FAN, COOLING	1	
004	28451-Z1T-700	PULLEY, STARTER	1	1267934
004	28451-Z1T-700	PULLEY, STARTER	1	3103959
004	28451-Z1T-700	PULLEY, STARTER	1	3603015
006	30700-Z1T-003	CAP ASSY., NOISE SUPPRESSOR (TEC)	1	
007	31110-Z1T-003	FLYWHEEL COMP. (KOKUSAN)	1	
007	31110-Z1T-003	FLYWHEEL COMP. (KOKUSAN)	1	2308976
008	36101-ZB2-010	CORD, STOP SWITCH (395MM)	1	
009	90121-952-000	BOLT, FLANGE, 6X25 (CT200)	2	
010	90201-Z1T-000	NUT, SPECIAL, 14MM	1	
010	90201-Z1T-000	NUT, SPECIAL, 14MM	1	
Ref	Partnumber	Description	GX160H1	Serial Numbers
011	30500-Z1T-023	COIL ASSY., IGNITION (TEC)	1	1727333
011	30500-Z1T-023	COIL ASSY., IGNITION (TEC)	1	
018	28451-Z1T-000	PULLEY, STARTER	1	1267933
018	28451-Z1T-000	PULLEY, STARTER	1	3103958
018	28451-Z1T-000	PULLEY, STARTER	1	3103958



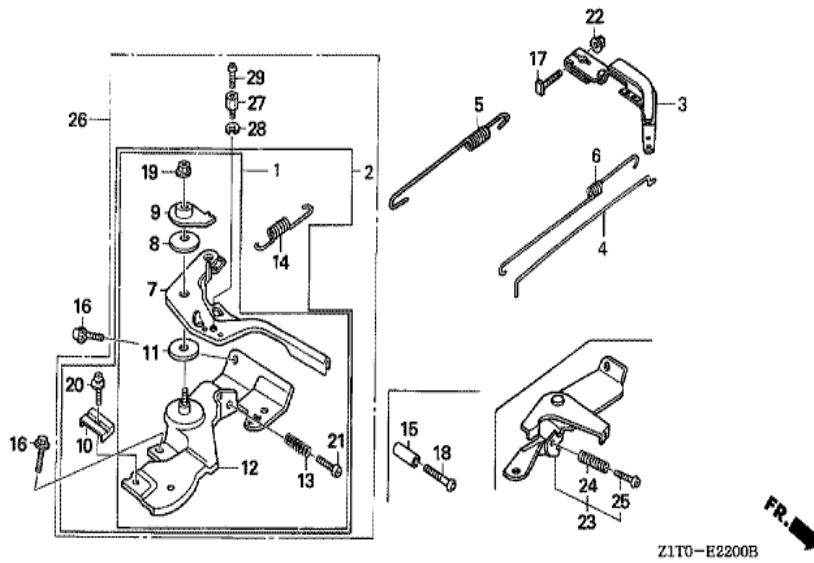
Z1T0E0200B

Ref	Partnumber	Description	GX160H1	Serial Numbers
001	12204-ZE1-306	GUIDE, IN. VALVE (OS)	(1)	
001	12204-ZE1-306	GUIDE, IN. VALVE (OS)	1	
002	12205-ZE1-315	GUIDE, EX. VALVE (OS)	1	
003	12210-Z1T-010	HEAD COMP., CYLINDER	1	
004	12216-ZE5-300	CLIP, VALVE GUIDE	1	
005	12251-Z1T-003	GASKET, CYLINDER HEAD (GUANGZHOU LEAKLES	1	
005	12251-Z1T-003	GASKET, CYLINDER HEAD (GUANGZHOU LEAKLES	1	
005	12251-Z1T-701	GASKET, CYLINDER HEAD (NINGBO SIL GASKET	1	
006	12310-ZE1-020	COVER COMP., HEAD	1	
007	12312-Z1T-701	PACKING, HEAD COVER (NINGBO SIL GASKET)	1	
007	12391-ZE1-000	PACKING, HEAD COVER	1	
007	12391-ZE1-000	PACKING, HEAD COVER	1	
009	15721-883-030	TUBE, BREATHER	1	
Ref	Partnumber	Description	GX160H1	Serial Numbers
010	90013-883-000	BOLT, FLANGE, 6X12 (CT200)	4	
011	90043-ZB2-003	BOLT, STUD, 6X94	2	
012	90047-ZE1-000	BOLT, STUD, 8X32	2	
013	94301-10160	DOWEL PIN, 10X16	2	
014	95701-0806000	BOLT, FLANGE, 8X60	4	
014	95701-0806000	BOLT, FLANGE, 8X60	4	1615781
015	98079-56846	PLUG, SPARK (BPR6ES) (NGK)	1	
015	98079-56846	PLUG, SPARK (BPR6ES) (NGK)	1	
015	98079-56846	PLUG, SPARK (BPR6ES) (NGK)	1	
015	98079-56855	PLUG, SPARK (W20EPR-U) (DENSO)	1	
015	98079-56855	PLUG, SPARK (W20EPR-U) (DENSO)	1	
015	98079-56855	PLUG, SPARK (W20EPR-U) (DENSO)	1	



Z1T0E2000

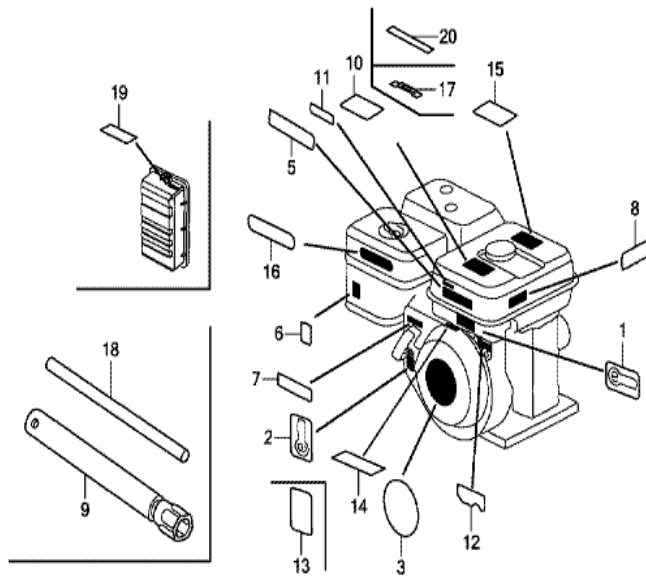
Ref	Partnumber	Description	GX160H1	Serial Numbers
001	30500-Z1T-023	COIL ASSY., IGNITION (TEC)	1	
003	30700-Z1T-003	CAP ASSY., NOISE SUPPRESSOR (TEC)	1	
009	36101-ZB2-010	CORD, STOP SWITCH (395MM)	1	
009	36101-ZB2-010	CORD, STOP SWITCH (395MM)	1	
012	90121-952-000	BOLT, FLANGE, 6X25 (CT200)	2	



Z1T0-E2200B

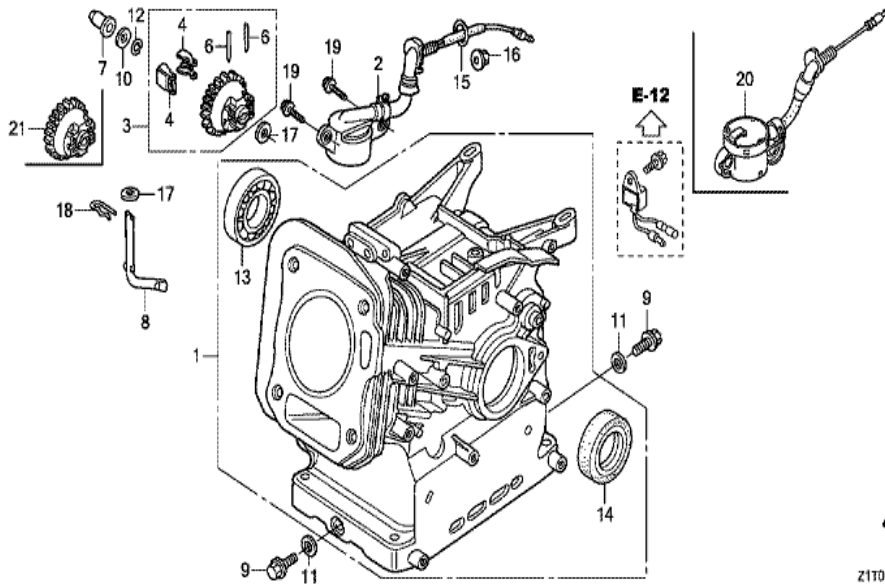
FR. →

Ref	Partnumber	Description	GX160H1	Serial Numbers
003	16551-ZL0-000	ARM, GOVERNOR	1	
003	16551-ZL0-000	ARM, GOVERNOR	1	
004	16555-ZE1-000	ROD, GOVERNOR	1	
005	16561-ZL0-000	SPRING, GOVERNOR	1	
005	16561-ZL0-000	SPRING, GOVERNOR	1	
005	16561-ZL0-000	SPRING, GOVERNOR	1	
005	16561-ZL0-000	SPRING, GOVERNOR	1	
006	16562-ZE1-020	SPRING, THROTTLE RETURN	1	
017	90015-ZE5-010	BOLT, GOVERNOR ARM	1	
022	94050-06000	NUT, FLANGE, 6MM	1	



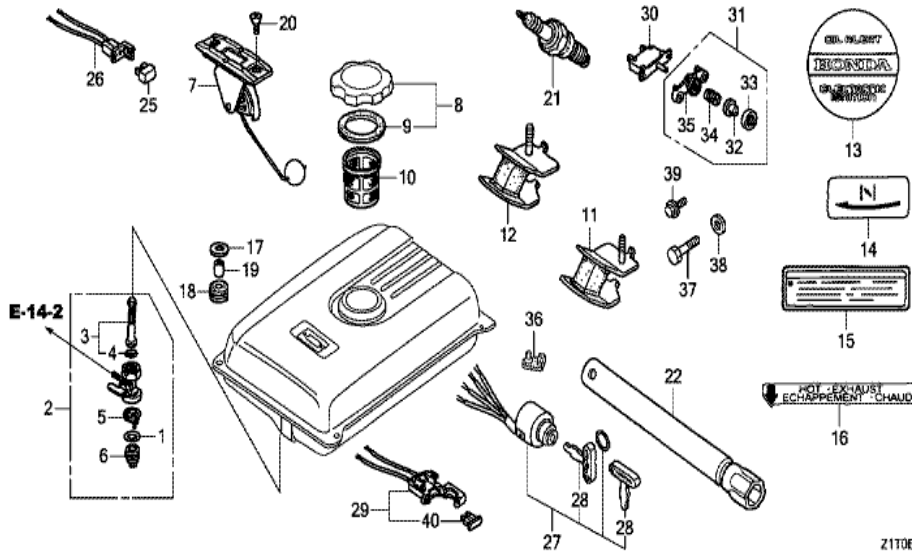
Z1T0E2800G

Ref	Partnumber	Description	GX160H1	Serial Numbers
013	87114-ZH7-000	LABEL, WARNING (NOT CERTIFIED FOR SALE)		1



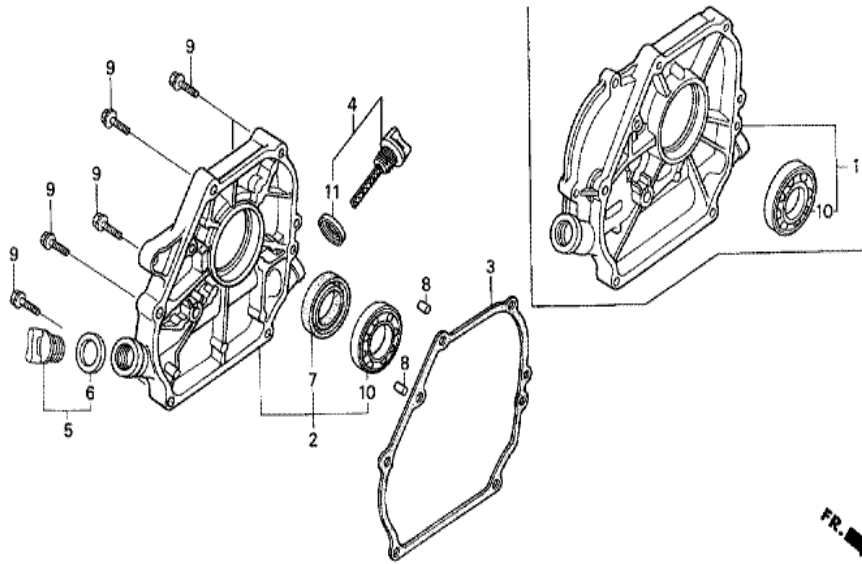
FR. →
Z1T0E03000

Ref	Partnumber	Description	GX160H1	Serial Numbers
001	12000-Z1T-406	BARREL ASSY., CYLINDER	1	
001	12000-Z1T-810	BARREL ASSY., CYLINDER (OIL ALERT)	1	
001	12000-Z1T-810	BARREL ASSY., CYLINDER (OIL ALERT)	1	
003	16506-ZL0-000	GOVERNOR ASSY.	1	
007	16531-Z1T-000	SLIDER, GOVERNOR	1	
007	16531-Z1T-000	SLIDER, GOVERNOR	1	
008	16541-Z1T-000	SHAFT, GOVERNOR ARM	1	
008	16541-Z1T-000	SHAFT, GOVERNOR ARM	1	
009	90131-ZE1-000	BOLT, DRAIN PLUG	2	
010	90451-Z1T-000	WASHER, THRUST, 6MM	1	
010	90451-Z1T-000	WASHER, THRUST, 6MM	1	
011	90601-ZE1-000	WASHER, DRAIN PLUG, 10.2MM	2	
012	90602-ZE1-000	CLIP, GOVERNOR HOLDER	1	
Ref	Partnumber	Description	GX160H1	Serial Numbers
013	91001-Z1T-003	BEARING, RADIAL BALL, 6205 (NSK)	1	
013	91001-ZF1-003	BEARING, RADIAL BALL (6205TMB) (NTN)	1	
013	91001-ZF1-003	BEARING, RADIAL BALL (6205TMB) (NTN)	1	
013	91001-ZF1-004	BEARING, RADIAL BALL (6205SH) (KOYO)	1	
013	91001-ZF1-004	BEARING, RADIAL BALL (6205SH) (KOYO)	1	
014	91202-Z1T-003	OIL SEAL, 25X41X6	1	
014	91202-Z1T-003	OIL SEAL, 25X41X6	1	
015	91353-671-004	O-RING, 14MM (NOK)	1	
016	94050-10000	NUT, FLANGE, 10MM	1	
017	94101-06800	WASHER, PLAIN, 6MM	2	
018	94251-08000	PIN, LOCK, 8MM	1	
019	95701-0601200	BOLT, FLANGE, 6X12	2	
020	35480-Z0T-003	SWITCH ASSY., OIL LEVEL	1	
021	16506-ZL0-000	GOVERNOR ASSY.	1	



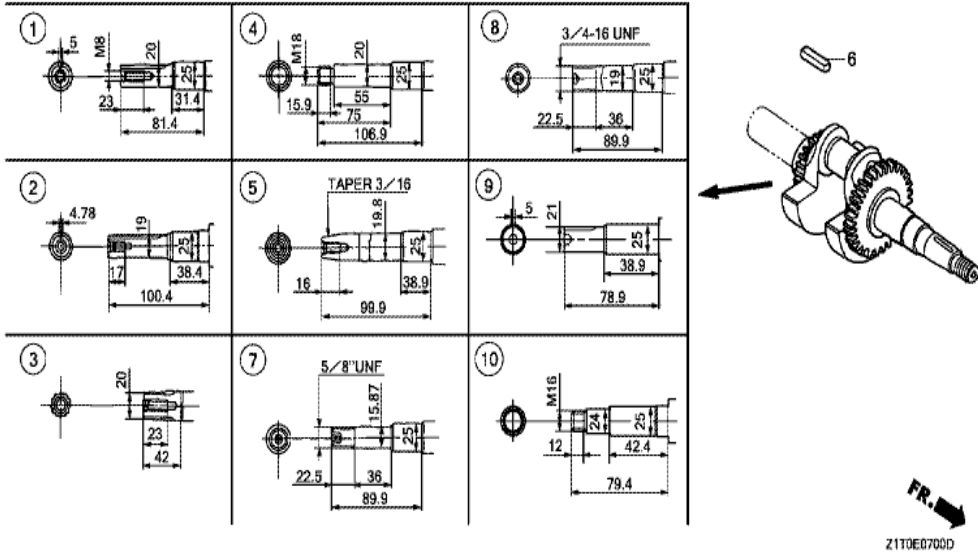
Z1T0E4000D

Ref	Partnumber	Description	GX160H1	Serial Numbers	
001	16173-001-004	PACKING, FUEL STRAINER CUP	1		
002	16950-ZB4-015	COCK ASSY., FUEL	1		
003	16952-ZB4-005	SCREEN SET, FUEL STRAINER	1		
004	16958-397-771	O-RING, 9.0X1.3	1		
005	16959-471-831	FILTER, CUP	1		
006	16967-GA6-671	CUP, FUEL STRAINER	1		
007	17505-ZB2-003	METER ASSY., FUEL	1		
008	17620-Z0T-305	CAP COMP., FUEL FILLER (CHROME PLATED)	(1)		
008	17620-Z0T-305	CAP COMP., FUEL FILLER (CHROME PLATED)	(1)		
008	17620-Z0T-305	CAP COMP., FUEL FILLER (CHROME PLATED)	(1)		
009	17631-Z0T-812	PACKING, FUEL FILLER CAP (39X62X3) (TOUY)	(1)		
009	17631-Z0T-812	PACKING, FUEL FILLER CAP (39X62X3) (TOUY)	(1)		
010	17670-899-000	FILTER COMP., FUEL	1		
	<u>Ref</u>	<u>Partnumber</u>	<u>Description</u>	<u>GX160H1</u>	<u>Serial Numbers</u>
011	68326-ZB2-000	RUBBER, FR. BOTTOM	1		
011	68326-ZB2-000	RUBBER, FR. BOTTOM	2		
012	68327-ZB2-000	RUBBER, RR. BOTTOM	1		
012	68327-ZB2-000	RUBBER, RR. BOTTOM	2		
013	87502-ZB2-G01	MARK, OIL ALERT	1		
013	87502-ZB2-G01	MARK, OIL ALERT	1		
014	87528-ZB2-630	MARK, CHOKE	1		
015	87533-ZC0-630	MARK, AIR CLEANER (ENGLISH)	1		
016	87539-898-620	MARK, EX. CAUTION (ENGLISH/FRENCH)	1		
017	90503-898-000	WASHER, TANK CUSHION	2		
017	90503-898-000	WASHER, TANK CUSHION	4		
018	90851-898-000	RUBBER, TANK CUSHION	2		
018	90851-898-000	RUBBER, TANK CUSHION	4		
019	91551-898-000	COLLAR, TANK CUSHION	2		
019	91551-898-000	COLLAR, TANK CUSHION	4		
020	93600-050100A	SCREW, FLAT, 5X10	2		
021	98079-56846	PLUG, SPARK (BPR6ES) (NGK)	1		
022	99004-21001	WRENCH, BOX (P21)	1		

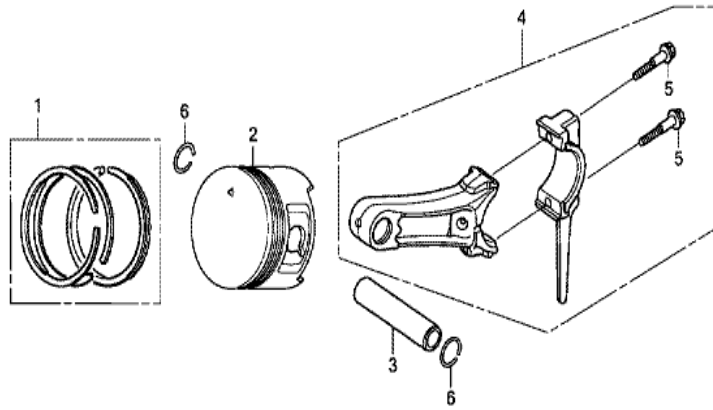


Z1T0-E0600A

<u>Ref</u>	<u>Partnumber</u>	<u>Description</u>	<u>GX160H1</u>	<u>Serial Numbers</u>
002	11300-Z1T-630	COVER ASSY., CRANKCASE	1	
003	11381-Z1T-701	PACKING, CASE COVER (NINGBO SIL GASKET)	1	
003	11381-Z1T-701	PACKING, CASE COVER (NINGBO SIL GASKET)	1	
003	11381-ZH8-801	PACKING, CASE COVER (NON ASBESTOS)	1	
003	11381-ZH8-801	PACKING, CASE COVER (NON ASBESTOS)	1	
004	15600-Z1T-000	CAP ASSY., OIL FILLER	1	
004	15600-Z1T-000	CAP ASSY., OIL FILLER	1	
005	15600-Z1T-600	CAP ASSY., OIL FILLER	1	
005	15600-Z1T-600	CAP ASSY., OIL FILLER	1	
006	15625-Z1T-000	PACKING, OIL FILLER CAP	1	
006	15625-Z1T-000	PACKING, OIL FILLER CAP	1	
007	91202-Z1T-003	OIL SEAL, 25X41X6	1	
007	91202-Z1T-003	OIL SEAL, 25X41X6	1	
<u>Ref</u>	<u>Partnumber</u>	<u>Description</u>	<u>GX160H1</u>	<u>Serial Numbers</u>
008	94301-08140	DOWEL PIN, 8X14	2	
009	95701-0803200	BOLT, FLANGE, 8X32	6	
010	96100-6205000	BEARING, RADIAL BALL, 6205	1	
011	15625-Z1T-000	PACKING, OIL FILLER CAP	1	
011	15625-Z1T-000	PACKING, OIL FILLER CAP	1	



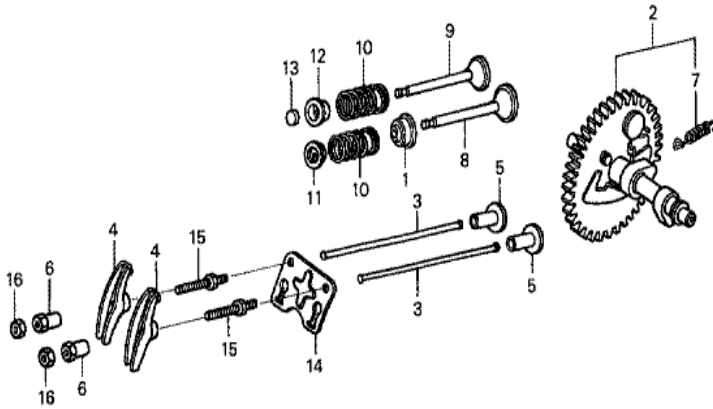
Ref	Partnumber	Description	GX160H1	Serial Numbers
005	13310-Z1T-670	CRANKSHAFT COMP.	1	
005	13310-Z1T-670	CRANKSHAFT COMP.	1	



FR. →
Z1T0E08000

Ref	Partnumber	Description	GX160H1	Serial Numbers
001	13010-Z1T-701	RING SET, PISTON (STD.) (FUJIAN DONGYA M	1	
001	13010-Z1T-701	RING SET, PISTON (STD.) (FUJIAN DONGYA M	1	
001	13010-Z4K-004	RING SET, PISTON (STD.) (TPR)	1	1639415
001	13010-Z4K-004	RING SET, PISTON (STD.) (TPR)	1	
001	13010-Z4K-004	RING SET, PISTON (STD.) (TPR)	1	
001	13010-Z4P-003	RING SET, PISTON (STD.) (RIKEN)	1	1639415
001	13010-Z4P-003	RING SET, PISTON (STD.) (RIKEN)	1	
001	13010-Z4P-003	RING SET, PISTON (STD.) (RIKEN)	1	
001	13011-Z1T-701	RING SET, PISTON (0.25) (FUJIAN DONGYA M	(1)	
001	13011-Z1T-701	RING SET, PISTON (0.25) (FUJIAN DONGYA M	(1)	
001	13011-Z4K-004	RING SET, PISTON (0.25) (TPR)	(1)	1639415
001	13011-Z4K-004	RING SET, PISTON (0.25) (TPR)	(1)	
001	13011-Z4K-004	RING SET, PISTON (0.25) (TPR)	(1)	

<u>Ref</u>	<u>Partnumber</u>	<u>Description</u>	<u>GX160H1</u>	<u>Serial Numbers</u>
001	13011-Z4P-003	RING SET, PISTON (0.25) (RIKEN)	(1)	1639415
001	13011-Z4P-003	RING SET, PISTON (0.25) (RIKEN)	(1)	
001	13011-Z4P-003	RING SET, PISTON (0.25) (RIKEN)	(1)	
001	13012-Z1T-701	RING SET, PISTON (0.50) (FUJIAN DONGYA M	(1)	
001	13012-Z1T-701	RING SET, PISTON (0.50) (FUJIAN DONGYA M	(1)	
001	13012-Z4K-004	RING SET, PISTON (0.50) (TPR)	(1)	1639415
001	13012-Z4K-004	RING SET, PISTON (0.50) (TPR)	(1)	
001	13012-Z4K-004	RING SET, PISTON (0.50) (TPR)	(1)	
001	13012-Z4P-003	RING SET, PISTON (0.50) (RIKEN)	(1)	
001	13012-Z4P-003	RING SET, PISTON (0.50) (RIKEN)	(1)	
001	13012-Z4P-003	RING SET, PISTON (0.50) (RIKEN)	(1)	
001	13013-Z1T-701	RING SET, PISTON (0.75) (FUJIAN DONGYA M	(1)	
001	13013-Z1T-701	RING SET, PISTON (0.75) (FUJIAN DONGYA M	(1)	
001	13013-Z4K-004	RING SET, PISTON (0.75) (TPR)	(1)	1639415
001	13013-Z4K-004	RING SET, PISTON (0.75) (TPR)	(1)	
001	13013-Z4K-004	RING SET, PISTON (0.75) (TPR)	(1)	
001	13013-Z4P-003	RING SET, PISTON (0.75) (RIKEN)	(1)	1639415
001	13013-Z4P-003	RING SET, PISTON (0.75) (RIKEN)	(1)	
001	13013-Z4P-003	RING SET, PISTON (0.75) (RIKEN)	(1)	
002	13101-Z1T-010	PISTON (STD.) (JIALING-HONDA)	1	1639415
002	13101-Z1T-010	PISTON (STD.) (JIALING-HONDA)	1	
002	13102-ZH8-020	PISTON (0.25)	(1)	1639415
002	13102-ZH8-020	PISTON (0.25)	(1)	
002	13102-ZH8-020	PISTON (0.25)	(1)	
002	13103-ZH8-020	PISTON (0.50)	(1)	
002	13103-ZH8-020	PISTON (0.50)	(1)	
002	13103-ZH8-020	PISTON (0.50)	(1)	
002	13103-ZH8-020	PISTON (0.50)	(1)	
002	13104-ZH8-020	PISTON (0.75)	(1)	1639415
002	13104-ZH8-020	PISTON (0.75)	(1)	
002	13104-ZH8-020	PISTON (0.75)	(1)	
002	13104-ZH8-020	PISTON (0.75)	(1)	
003	13111-Z1T-000	PIN, PISTON	1	
<u>Ref</u>	<u>Partnumber</u>	<u>Description</u>	<u>GX160H1</u>	<u>Serial Numbers</u>
004	13200-Z0T-800	ROD ASSY., CONNECTING (TH)	1	
005	90001-ZE1-000	BOLT, CONNECTING ROD	2	
005	90001-ZE1-000	BOLT, CONNECTING ROD	2	
006	90551-ZE1-000	CLIP, PISTON PIN, 18MM	2	



Z1T0-E0900



<u>Ref</u>	<u>Partnumber</u>	<u>Description</u>	<u>GX160H1</u>	<u>Serial Numbers</u>
001	12209-ZH8-003	SEAL, VALVE STEM	1	
002	14100-ZL0-000	CAMSHAFT ASSY.	1	
002	14100-ZL0-000	CAMSHAFT ASSY.	1	
003	14410-ZE1-010	ROD, PUSH	2	
004	14431-ZE1-000	ARM, VALVE ROCKER	2	
005	14441-ZE1-010	LIFTER, VALVE	2	
006	14451-ZE1-013	PIVOT, ROCKER ARM	2	
006	14451-ZE1-013	PIVOT, ROCKER ARM	2	
007	14568-ZE1-000	SPRING, WEIGHT RETURN	1	
008	14711-ZF1-000	VALVE, IN.	1	
009	14721-ZF1-000	VALVE, EX.	1	
010	14751-ZF1-000	SPRING, VALVE	2	
011	14771-ZE1-000	RETAINER, IN. VALVE SPRING	1	
<u>Ref</u>	<u>Partnumber</u>	<u>Description</u>	<u>GX160H1</u>	<u>Serial Numbers</u>
012	14773-ZE1-000	RETAINER, EX. VALVE SPRING	1	
013	14781-ZE1-000	ROTATOR, VALVE	1	
014	14791-ZE1-010	PLATE, PUSH ROD GUIDE	1	
015	90012-ZE0-010	BOLT, PIVOT, 8MM	2	
016	90206-ZE1-000	NUT, PIVOT ADJUSTING	2	