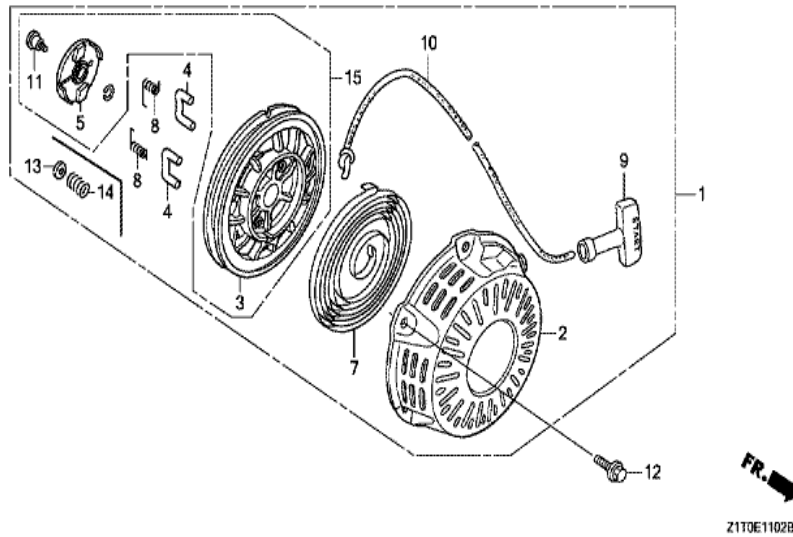


ZIT0-E1100A

| Ref | Partnumber | Description | GX160H1 | Serial Numbers |
|-----|-----------------|------------------------------------|---------|----------------|
| 002 | 28410-ZH8-003YA | CASE COMP., RECOIL STARTER *R280 * | 1 | 3315889 |
| 002 | 28410-ZH8-003YA | CASE COMP., RECOIL STARTER *R280 * | 1 | 3327695 |
| 002 | 28410-ZH8-003YA | CASE COMP., RECOIL STARTER *R280 * | 1 | 3327695 |
| 003 | 28421-ZOT-003 | REEL, RECOIL STARTER | 1 | 3327695 |
| 003 | 28421-ZOT-003 | REEL, RECOIL STARTER | 1 | 3327695 |
| 007 | 28442-ZH8-003 | SPRING, RECOIL STARTER | 1 | 3315889 |
| 007 | 28442-ZH8-003 | SPRING, RECOIL STARTER | 1 | 3327695 |
| 007 | 28442-ZH8-003 | SPRING, RECOIL STARTER | 1 | 3327695 |
| 009 | 28461-ZH8-013 | KNOB, RECOIL STARTER | 1 | 3327695 |
| 009 | 28461-ZH8-013 | KNOB, RECOIL STARTER | 1 | 3327695 |
| 010 | 28462-ZH8-003 | ROPE, RECOIL STARTER | 1 | 3315889 |
| 010 | 28462-ZH8-003 | ROPE, RECOIL STARTER | 1 | 3327695 |
| 010 | 28462-ZH8-003 | ROPE, RECOIL STARTER | 1 | 3327695 |

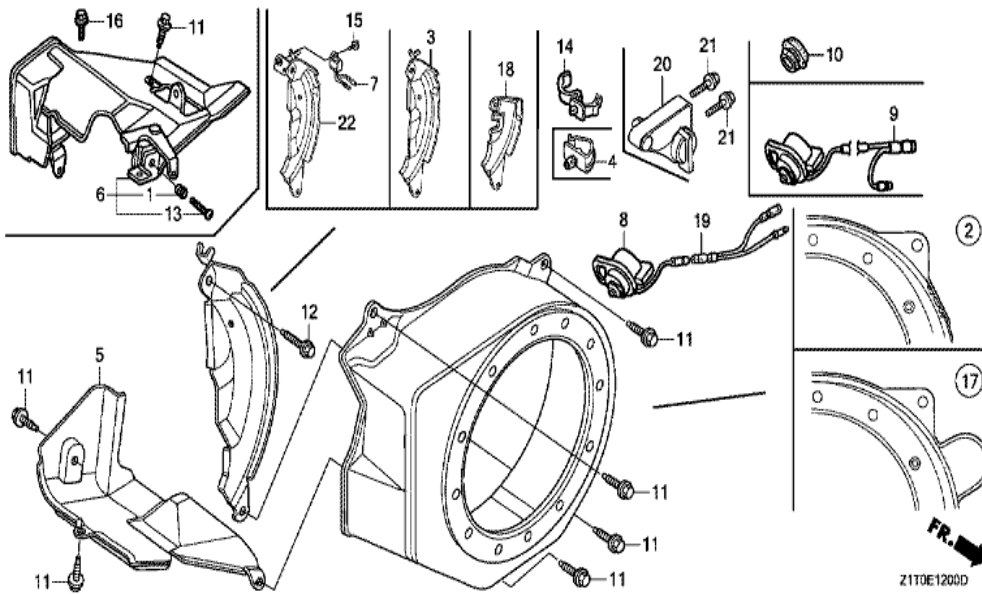
| <u>Ref</u> | <u>Partnumber</u> | <u>Description</u> | <u>GX160H1</u> | <u>Serial Numbers</u> |
|------------|-------------------|------------------------------|----------------|-----------------------|
| 012 | 90008-Z1T-000 | BOLT, FLANGE, 6X10 | 3 | 3315889 |
| 012 | 90008-Z1T-000 | BOLT, FLANGE, 6X10 | 3 | 3327695 |
| 012 | 90008-Z1T-000 | BOLT, FLANGE, 6X10 | 3 | 3603014 |
| 013 | 28400-Z0T-003ZB | STARTER ASSY., RECOIL *R280* | 1 | 3327695 |
| 013 | 28400-Z0T-003ZB | STARTER ASSY., RECOIL *R280* | 1 | 3327695 |
| 014 | 28422-ZH8-801 | RATCHET, STARTER | 2 | 3315889 |
| 014 | 28422-ZH8-801 | RATCHET, STARTER | 2 | 3327695 |
| 014 | 28422-ZH8-801 | RATCHET, STARTER | 2 | 3327695 |
| 015 | 28431-ZH8-801 | PLATE, FRICTION | 1 | 3315889 |
| 015 | 28431-ZH8-801 | PLATE, FRICTION | 1 | 3327695 |
| 015 | 28431-ZH8-801 | PLATE, FRICTION | 1 | 3327695 |
| 016 | 28433-ZH8-801 | GUIDE, RATCHET | 1 | 3315889 |
| 016 | 28433-ZH8-801 | GUIDE, RATCHET | 1 | 3327695 |
| 016 | 28433-ZH8-801 | GUIDE, RATCHET | 1 | 3327695 |
| 017 | 28441-ZH8-801 | SPRING, FRICTION | 1 | 3315889 |
| 017 | 28441-ZH8-801 | SPRING, FRICTION | 1 | 3327695 |
| 017 | 28441-ZH8-801 | SPRING, FRICTION | 1 | 3327695 |
| 018 | 28443-ZH8-801 | SPRING, RETURN | 2 | 3315889 |
| 018 | 28443-ZH8-801 | SPRING, RETURN | 2 | 3327695 |
| 018 | 28443-ZH8-801 | SPRING, RETURN | 2 | 3327695 |
| 019 | 90003-ZH8-801 | SCREW, SETTING | 1 | 3315889 |
| 019 | 90003-ZH8-801 | SCREW, SETTING | 1 | 3327695 |
| 019 | 90003-ZH8-801 | SCREW, SETTING | 1 | 3327695 |



Z1T0E1102B

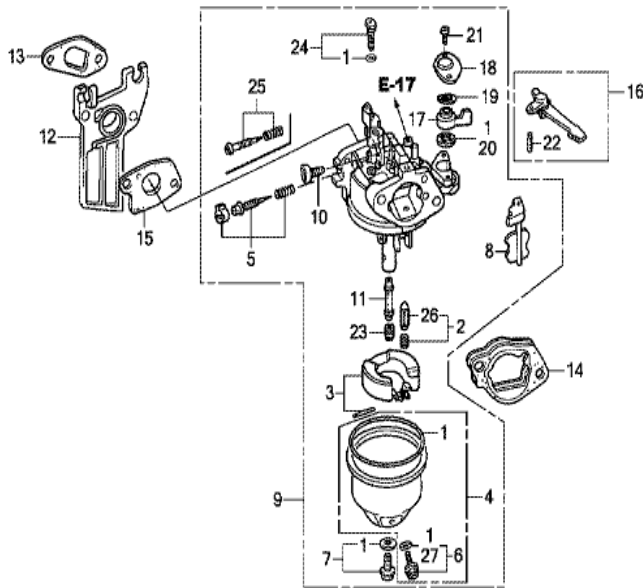
| Ref | Partnumber | Description | GX160H1 | Serial Numbers |
|-----|-----------------|-----------------------------------|---------|-----------------|
| 001 | 28400-Z1T-701ZB | STARTER ASSY., RECOIL *R280* | 1 | 3327696 3807941 |
| 001 | 28400-Z1T-701ZB | STARTER ASSY., RECOIL *R280* | 1 | 3327696 3807941 |
| 001 | 28400-Z1T-702ZB | STARTER ASSY., RECOIL *R280* | 1 | 1267934 |
| 001 | 28400-Z1T-702ZB | STARTER ASSY., RECOIL *R280* | 1 | 3807942 |
| 002 | 28410-Z1T-701ZB | CASE COMP., RECOIL STARTER *R280* | 1 | 3315890 |
| 002 | 28410-Z1T-701ZB | CASE COMP., RECOIL STARTER *R280* | 1 | 3327696 |
| 002 | 28410-Z1T-701ZB | CASE COMP., RECOIL STARTER *R280* | 1 | 3327696 |
| 003 | 28421-Z1T-702 | REEL, RECOIL STARTER (BLACK) | 1 | 1267934 |
| 003 | 28421-Z1T-702 | REEL, RECOIL STARTER (BLACK) | 1 | 3807942 |
| 004 | 28422-Z1T-701 | RATCHET, STARTER | 2 | 3315890 |
| 004 | 28422-Z1T-701 | RATCHET, STARTER | 2 | 3327696 |
| 004 | 28422-Z1T-701 | RATCHET, STARTER | 2 | 3603015 |
| 005 | 28433-Z1T-702 | GUIDE, RATCHET | 1 | 1267934 |

| <u>Ref</u> | <u>Partnumber</u> | <u>Description</u> | <u>GX160H1</u> | <u>Serial Numbers</u> |
|------------|-------------------|------------------------|----------------|-----------------------|
| 005 | 28433-Z1T-702 | GUIDE, RATCHET | 1 | 3807942 |
| 007 | 28442-ZH8-003 | SPRING, RECOIL STARTER | 1 | 3315890 |
| 007 | 28442-ZH8-003 | SPRING, RECOIL STARTER | 1 | 3327696 |
| 007 | 28442-ZH8-003 | SPRING, RECOIL STARTER | 1 | 3603015 |
| 008 | 28443-Z1T-701 | SPRING, RETURN | 2 | 3315890 |
| 008 | 28443-Z1T-701 | SPRING, RETURN | 2 | 3327696 |
| 008 | 28443-Z1T-701 | SPRING, RETURN | 2 | 3603015 |
| 009 | 28461-ZH8-013 | KNOB, RECOIL STARTER | 1 | 3315890 |
| 009 | 28461-ZH8-013 | KNOB, RECOIL STARTER | 1 | 3327696 |
| 009 | 28461-ZH8-013 | KNOB, RECOIL STARTER | 1 | 3327696 |
| 010 | 28462-Z1T-701 | ROPE, RECOIL STARTER | 1 | 3315890 |
| 010 | 28462-Z1T-701 | ROPE, RECOIL STARTER | 1 | 3327696 |
| 010 | 28462-Z1T-701 | ROPE, RECOIL STARTER | 1 | 3603015 |
| 011 | 90003-ZH8-801 | SCREW, SETTING | 1 | 1267934 |
| 011 | 90003-ZH8-801 | SCREW, SETTING | 1 | 3807942 |
| 012 | 90008-Z1T-000 | BOLT, FLANGE, 6X10 | 3 | 3327696 |
| 012 | 90008-Z1T-000 | BOLT, FLANGE, 6X10 | 3 | 3603015 |
| 013 | 28431-ZH8-801 | PLATE, FRICTION | 1 | 1267934 |
| 013 | 28431-ZH8-801 | PLATE, FRICTION | 1 | 3807942 |
| 014 | 28441-ZH8-801 | SPRING, FRICTION | 1 | 1267934 |
| 014 | 28441-ZH8-801 | SPRING, FRICTION | 1 | 3807942 |
| 015 | 06280-Z1T-305 | STARTER SET, RECOIL | 1 | 3327696 3807941 |
| 015 | 06280-Z1T-305 | STARTER SET, RECOIL | 1 | 3603015 3918998 |



Z1T0E1200D

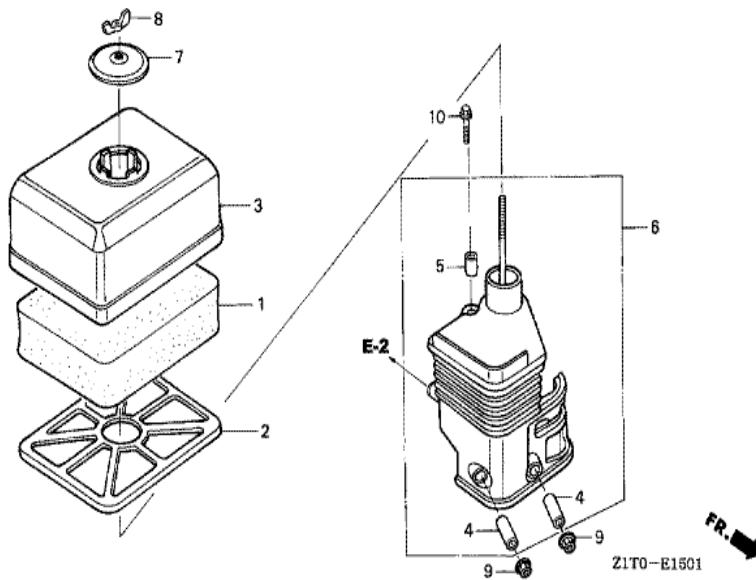
| Ref | Partnumber | Description | GX160H1 | Serial Numbers |
|-----|-----------------|----------------------------|---------|----------------|
| 002 | 19610-ZE1-010ZP | COVER COMP., FAN *R280 * | 1 | |
| 002 | 19610-ZE1-010ZP | COVER COMP., FAN *R280 * | 1 | |
| 003 | 19612-ZH8-000 | PLATE, SIDE (STD.) | 1 | |
| 005 | 19631-Z1T-000 | SHROUD | 1 | |
| 005 | 19631-Z1T-000 | SHROUD | 1 | |
| 008 | 35120-Z0D-V81 | SWITCH ASSY., ENGINE STOP | 1 | |
| 011 | 90013-883-000 | BOLT, FLANGE, 6X12 (CT200) | 6 | |
| 012 | 90022-888-010 | BOLT, FLANGE, 6X20 (CT200) | 1 | |



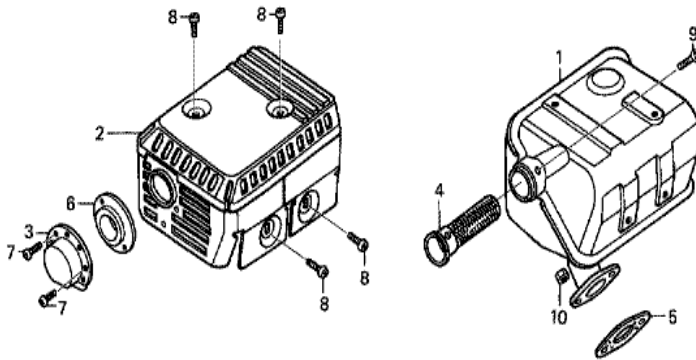
FR. →
Z1T0E1400D


| Ref | Partnumber | Description | GX160H1 | Serial Numbers |
|-----|---------------|--------------------|---------|-----------------|
| 001 | 16010-ZE0-025 | GASKET SET | 1 | |
| 002 | 16011-ZE0-005 | VALVE SET, FLOAT | 1 | BE66K A |
| 003 | 16013-Z0S-B01 | FLOAT SET | 1 | BE66K A BE66K A |
| 003 | 16013-Z0S-B01 | FLOAT SET | 1 | BE66K A BE66K A |
| 003 | 16013-Z1T-711 | FLOAT SET | 1 | BEA2B A |
| 003 | 16013-Z1T-711 | FLOAT SET | 1 | BEA2B A |
| 004 | 16015-ZE0-831 | CHAMBER SET, FLOAT | 1 | |
| 005 | 16016-ZH7-W01 | SCREW SET, PILOT | 1 | BEA2B B |
| 006 | 16024-ZE1-811 | SCREW SET, DRAIN | 1 | |
| 007 | 16028-ZDK-003 | SCREW SET | 1 | BEA2B C |
| 007 | 16028-ZDK-003 | SCREW SET | 1 | BEA2B C |
| 007 | 16028-ZE0-005 | SCREW SET | 1 | BEA2B B |
| 007 | 16028-ZE0-005 | SCREW SET | 1 | BEA2B B |

| <u>Ref</u> | <u>Partnumber</u> | <u>Description</u> | <u>GX160H1</u> | <u>Serial Numbers</u> |
|------------|-------------------|-----------------------------------------|----------------|-----------------------|
| 008 | 16044-ZE0-005 | CHOKE SET | 1 | |
| 009 | 16100-Z1T-701 | CARBURETOR ASSY. (BEA2B A/B/C) | 1 | 3298633 |
| 009 | 16100-Z1T-701 | CARBURETOR ASSY. (BEA2B A/B/C) | 1 | 3298633 |
| 009 | 16100-Z1T-W71 | CARBURETOR ASSY. (BE66K A) | 1 | 3298632 |
| 009 | 16100-Z1T-W71 | CARBURETOR ASSY. (BE66K A) | 1 | 1203760 |
| 010 | 16124-ZE0-005 | SCREW, THROTTLE STOP | 1 | |
| 011 | 16166-Z1T-701 | NOZZLE, MAIN | 1 | BEA2B C |
| 011 | 16166-Z1T-701 | NOZZLE, MAIN | 1 | BEA2B C |
| 011 | 16166-ZH8-W60 | NOZZLE, MAIN | 1 | BEA2B B |
| 011 | 16166-ZH8-W60 | NOZZLE, MAIN | 1 | BEA2B B |
| 012 | 16211-Z1T-000 | INSULATOR, CARBURETOR (JLH) | 1 | |
| 013 | 16212-Z1T-701 | PACKING, INSULATOR (NINGBO SIL GASKET) | 1 | |
| 013 | 16212-Z1T-701 | PACKING, INSULATOR (NINGBO SIL GASKET) | 1 | |
| 013 | 16212-ZH8-800 | PACKING, INSULATOR | 1 | |
| 013 | 16212-ZH8-800 | PACKING, INSULATOR | 1 | |
| 014 | 16220-ZE1-020 | SPACER COMP., CARBURETOR | 1 | |
| 015 | 16221-Z1T-701 | PACKING, CARBURETOR (NINGBO SIL GASKET) | 1 | |
| 015 | 16221-Z1T-701 | PACKING, CARBURETOR (NINGBO SIL GASKET) | 1 | |
| 015 | 16221-ZH8-801 | PACKING, CARBURETOR | 1 | |
| 015 | 16221-ZH8-801 | PACKING, CARBURETOR | 1 | |
| 016 | 16610-Z1T-000 | LEVER COMP., CHOKE (STD.) | 1 | |
| 017 | 16953-ZDK-003 | LEVER, COCK | 1 | BEA2B C |
| 017 | 16953-ZDK-003 | LEVER, COCK | 1 | BEA2B C |
| 017 | 16953-ZE1-812 | LEVER, COCK | 1 | BEA2B B |
| 017 | 16953-ZE1-812 | LEVER, COCK | 1 | BEA2B B |
| 018 | 16954-ZE1-812 | PLATE, LEVER SETTING | 1 | |
| 019 | 16956-ZE1-811 | SPRING, COCK LEVER | 1 | |
| 020 | 16957-ZE1-812 | PACKING, FUEL COCK | 1 | |
| 021 | 93500-030061H | SCREW, PAN, 3X6 | 2 | |
| 022 | 94305-20122 | PIN, SPRING, 2X12 | 1 | |
| 023 | 99101-ZDK0650 | JET, MAIN, #65 | (1) | BEA2B C |
| 023 | 99101-ZDK0650 | JET, MAIN, #65 | (1) | BEA2B C |
| 023 | 99101-ZDK0680 | JET, MAIN, #68 | (1) | BEA2B C |
| <u>Ref</u> | <u>Partnumber</u> | <u>Description</u> | <u>GX160H1</u> | <u>Serial Numbers</u> |
| 023 | 99101-ZDK0680 | JET, MAIN, #68 | (1) | BEA2B C |
| 023 | 99101-ZDK0700 | JET, MAIN, #70 | 1 | BEA2B C |
| 023 | 99101-ZDK0700 | JET, MAIN, #70 | 1 | BEA2B C |
| 023 | 99101-ZH80650 | JET, MAIN, #65 | (1) | BEA2B B |
| 023 | 99101-ZH80650 | JET, MAIN, #65 | (1) | BEA2B B |
| 023 | 99101-ZH80680 | JET, MAIN, #68 | (1) | BEA2B B |
| 023 | 99101-ZH80680 | JET, MAIN, #68 | (1) | BEA2B B |
| 023 | 99101-ZH80700 | JET, MAIN, #70 | 1 | BEA2B B |
| 023 | 99101-ZH80700 | JET, MAIN, #70 | 1 | BEA2B B |
| 024 | 99204-ZE00350 | JET SET, PILOT, #35 | 1 | |
| 025 | 16016-ZDK-003 | SCREW SET, PILOT | 1 | BEA2B C |
| 025 | 16016-ZDK-003 | SCREW SET, PILOT | 1 | BEA2B C |
| 026 | 16011-Z1T-711 | VALVE SET, FLOAT | 1 | |
| 026 | 16011-Z1T-711 | VALVE SET, FLOAT | 1 | BEA2B A |
| 027 | 16141-ZOS-003 | WASHER, PLAIN (6.2X10.7 DRAIN) | 1 | |
| 027 | 16141-ZOS-003 | WASHER, PLAIN (6.2X10.7 DRAIN) | 1 | |

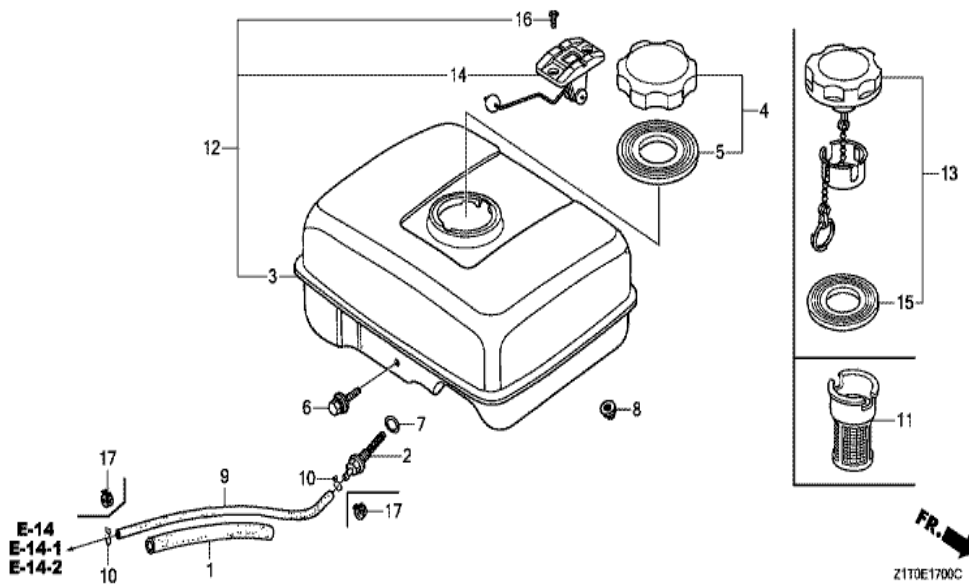


| <u>Ref</u> | <u>Partnumber</u> | <u>Description</u> | <u>GX160H1</u> | <u>Serial Numbers</u> |
|------------|-------------------|---------------------------------|----------------|-----------------------|
| 001 | 17211-ZE1-000 | ELEMENT, AIR CLEANER (SEMI DRY) | 1 | |
| 001 | 17211-ZE1-000 | ELEMENT, AIR CLEANER (SEMI DRY) | 1 | |
| 001 | 17211-ZE1-000 | ELEMENT, AIR CLEANER (SEMI DRY) | 1 | |
| 002 | 17212-ZE1-000 | GRID, AIR CLEANER (SEMI DRY) | 1 | |
| 002 | 17212-ZE1-000 | GRID, AIR CLEANER (SEMI DRY) | 1 | |
| 002 | 17212-ZE1-000 | GRID, AIR CLEANER (SEMI DRY) | 1 | |
| 003 | 17231-ZE1-000 | COVER, AIR CLEANER (SEMI DRY) | 1 | |
| 003 | 17231-ZE1-000 | COVER, AIR CLEANER (SEMI DRY) | 1 | |
| 003 | 17231-ZE1-000 | COVER, AIR CLEANER (SEMI DRY) | 1 | |
| 004 | 17238-ZE7-010 | COLLAR, AIR CLEANER | 2 | |
| 004 | 17238-ZE7-010 | COLLAR, AIR CLEANER | 2 | |
| 004 | 17238-ZE7-010 | COLLAR, AIR CLEANER | 2 | |
| 005 | 17239-ZE1-000 | COLLAR B, AIR CLEANER | 1 | |
| <u>Ref</u> | <u>Partnumber</u> | <u>Description</u> | <u>GX160H1</u> | <u>Serial Numbers</u> |
| 005 | 17239-ZE1-000 | COLLAR B, AIR CLEANER | 1 | |
| 005 | 17239-ZE1-000 | COLLAR B, AIR CLEANER | 1 | |
| 006 | 17410-Z1T-000 | ELBOW COMP., AIR CLEANER | 1 | 3519906 |
| 006 | 17410-Z1T-000 | ELBOW COMP., AIR CLEANER | 1 | 3519906 |
| 006 | 17410-Z1T-010 | ELBOW COMP., AIR CLEANER | 1 | 3519907 |
| 006 | 17410-Z1T-010 | ELBOW COMP., AIR CLEANER | 1 | 3519907 |
| 007 | 17421-ZE1-000 | CAP, CLEANER | 1 | |
| 007 | 17421-ZE1-000 | CAP, CLEANER | 1 | |
| 007 | 17421-ZE1-000 | CAP, CLEANER | 1 | |
| 008 | 90325-044-000 | NUT, TOOL BOX SETTING | 1 | |
| 008 | 90325-044-000 | NUT, TOOL BOX SETTING | 1 | |
| 008 | 90325-044-000 | NUT, TOOL BOX SETTING | 1 | |
| 009 | 94050-06000 | NUT, FLANGE, 6MM | 2 | |
| 010 | 95701-0602000 | BOLT, FLANGE, 6X20 | 1 | |

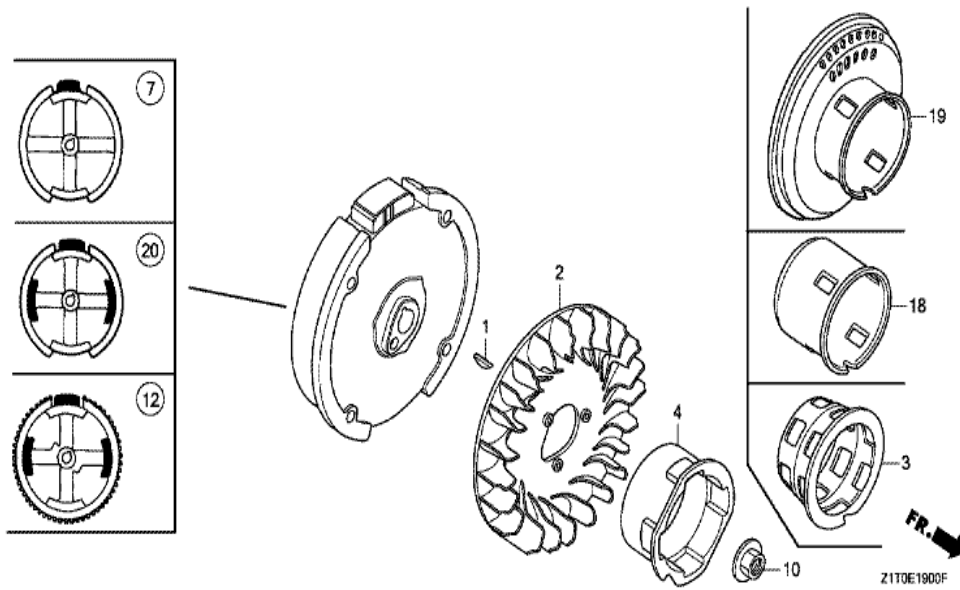


ZIT0-E1600 

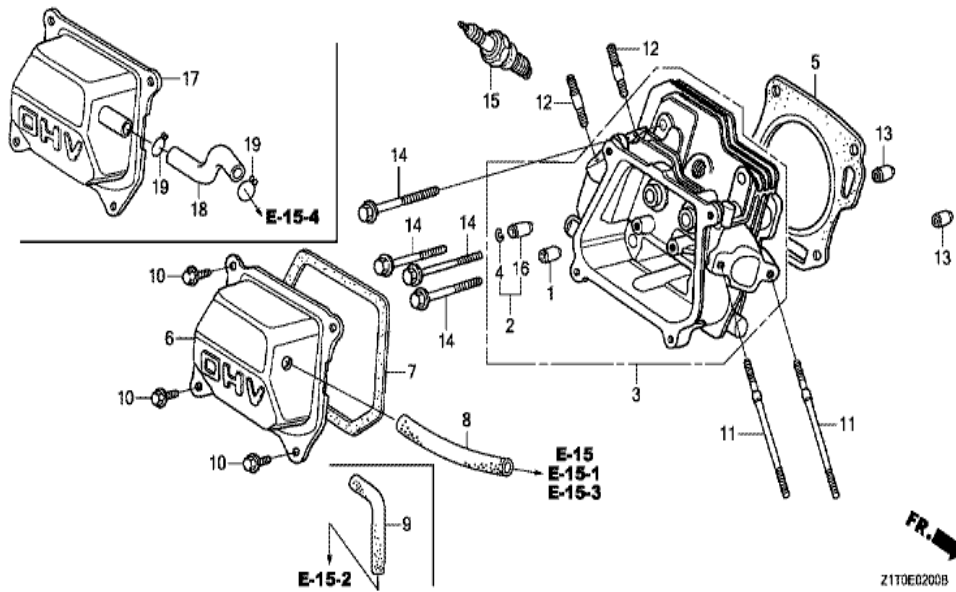
| Ref | Partnumber | Description | GX160H1 | Serial Numbers |
|-----|---------------|-------------------------------------|---------|----------------|
| 001 | 18310-Z1T-000 | MUFFLER COMP. | 1 | 3622446 |
| 001 | 18310-Z1T-000 | MUFFLER COMP. | 1 | 3622446 |
| 001 | 18310-Z1T-010 | MUFFLER COMP. | 1 | 3622447 |
| 001 | 18310-Z1T-010 | MUFFLER COMP. | 1 | 3622447 |
| 002 | 18320-Z1T-010 | PROTECTOR, MUFFLER (STD.) | 1 | |
| 005 | 18381-Z1T-003 | GASKET, MUFFLER | 1 | |
| 005 | 18381-Z1T-701 | GASKET, MUFFLER (NINGBO SIL GASKET) | 1 | |
| 008 | 90050-ZE1-000 | SCREW, TAPPING, 5X8 | 4 | |
| 010 | 94001-080000S | NUT, HEX., 8MM | 2 | |



| Ref | Partnumber | Description | GX160H1 | Serial Numbers |
|-----|-----------------|------------------------------------------|---------|----------------|
| 001 | 16854-ZH8-000 | RUBBER, SUPPORTER (107MM) | 1 | |
| 002 | 16955-Z1T-010 | JOINT, FUEL TANK | 1 | |
| 002 | 16955-Z1T-010 | JOINT, FUEL TANK | 1 | |
| 003 | 17510-ZE1-030ZA | TANK COMP., FUEL *NH31 * | 1 | |
| 003 | 17510-ZE1-030ZA | TANK COMP., FUEL *NH31 * | 1 | |
| 004 | 17620-Z1T-800 | CAP COMP., FUEL FILLER (CHROME PLATED) (| 1 | |
| 005 | 17631-Z1T-800 | PACKING, FUEL FILLER CAP (39X62X3) (TOUY | 1 | |
| 006 | 90004-Z1T-000 | BOLT, FLANGE, 6X29 | 1 | |
| 007 | 91353-671-004 | O-RING, 14MM (NOK) | 1 | |
| 008 | 94050-06000 | NUT, FLANGE, 6MM | 2 | |
| 009 | 95001-4514040 | TUBE, FUEL, 4.5X140 (95001-45001-60M) | 1 | |
| 010 | 95002-02080 | CLIP, TUBE (B8) | 2 | |

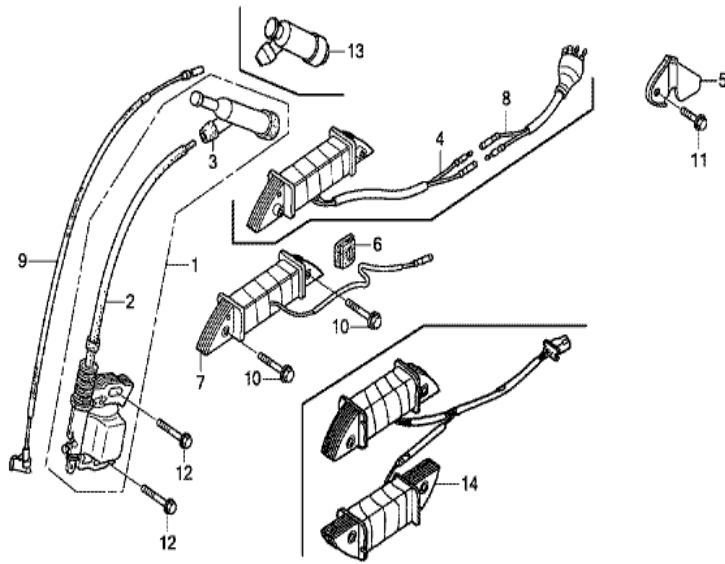


| Ref | Partnumber | Description | GX160H1 | Serial Numbers |
|-----|---------------|------------------------------|---------|----------------|
| 001 | 13331-357-000 | KEY, SPECIAL WOODRUFF, 25X18 | 1 | |
| 002 | 19511-Z1T-000 | FAN, COOLING | 1 | |
| 004 | 28451-Z1T-700 | PULLEY, STARTER | 1 | 1267934 |
| 004 | 28451-Z1T-700 | PULLEY, STARTER | 1 | 3103959 |
| 004 | 28451-Z1T-700 | PULLEY, STARTER | 1 | 3603015 |
| 007 | 31110-Z1T-003 | FLYWHEEL COMP. (KOKUSAN) | 1 | |
| 010 | 90201-Z1T-000 | NUT, SPECIAL, 14MM | 1 | |
| 018 | 28451-Z1T-000 | PULLEY, STARTER | 1 | 1267933 |
| 018 | 28451-Z1T-000 | PULLEY, STARTER | 1 | 3103958 |
| 018 | 28451-Z1T-000 | PULLEY, STARTER | 1 | 3103958 |



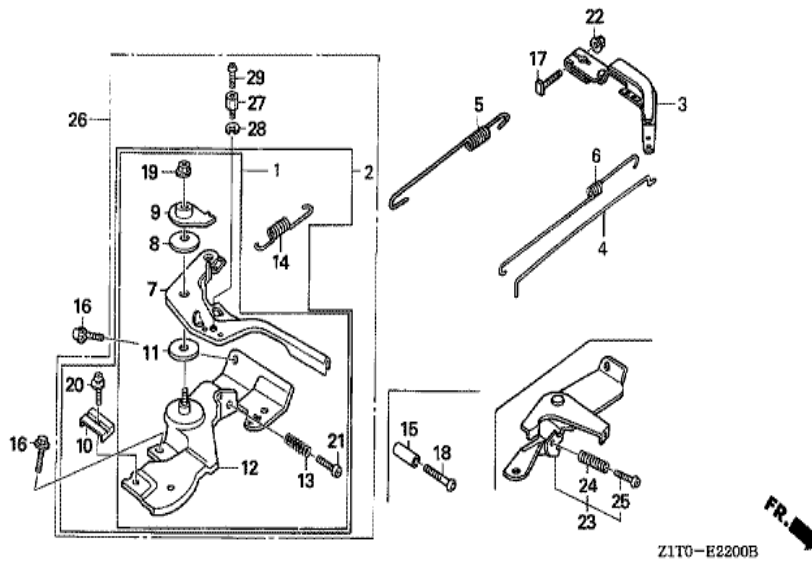
Z1T0E0200B

| Ref | Partnumber | Description | GX160H1 | Serial Numbers |
|-----|---------------|------------------------------------------|---------|----------------|
| 001 | 12204-Z1T-305 | GUIDE, IN. VALVE (O.S.) | 1 | |
| 003 | 12210-Z1T-405 | HEAD COMP., CYLINDER | 1 | |
| 004 | 12216-ZE5-300 | CLIP, VALVE GUIDE | 1 | |
| 005 | 12251-Z1T-003 | GASKET, CYLINDER HEAD (GUANGZHOU LEAKLES | 1 | |
| 005 | 12251-Z1T-701 | GASKET, CYLINDER HEAD (NINGBO SIL GASKET | 1 | |
| 006 | 12310-ZE1-020 | COVER COMP., HEAD | 1 | |
| 007 | 12312-Z1T-701 | PACKING, HEAD COVER (NINGBO SIL GASKET) | 1 | |
| 007 | 12391-ZE1-000 | PACKING, HEAD COVER | 1 | |
| 007 | 12391-ZE1-000 | PACKING, HEAD COVER | 1 | |
| 008 | 15721-ZH8-000 | TUBE, BREATHER | 1 | |
| 010 | 90013-883-000 | BOLT, FLANGE, 6X12 (CT200) | 4 | |
| 011 | 90043-ZE1-020 | BOLT, STUD, 6X112 | 2 | |
| 012 | 90047-ZE1-000 | BOLT, STUD, 8X32 | 2 | |
| Ref | Partnumber | Description | GX160H1 | Serial Numbers |
| 013 | 94301-10160 | DOWEL PIN, 10X16 | 2 | |
| 014 | 95701-0806000 | BOLT, FLANGE, 8X60 | 4 | |
| 015 | 98079-56846 | PLUG, SPARK (BPR6ES) (NGK) | 1 | |
| 015 | 98079-56855 | PLUG, SPARK (W20EPR-U) (DENSO) | 1 | |
| 016 | 12205-Z1T-305 | GUIDE, EX. VALVE (O.S.) | 1 | |



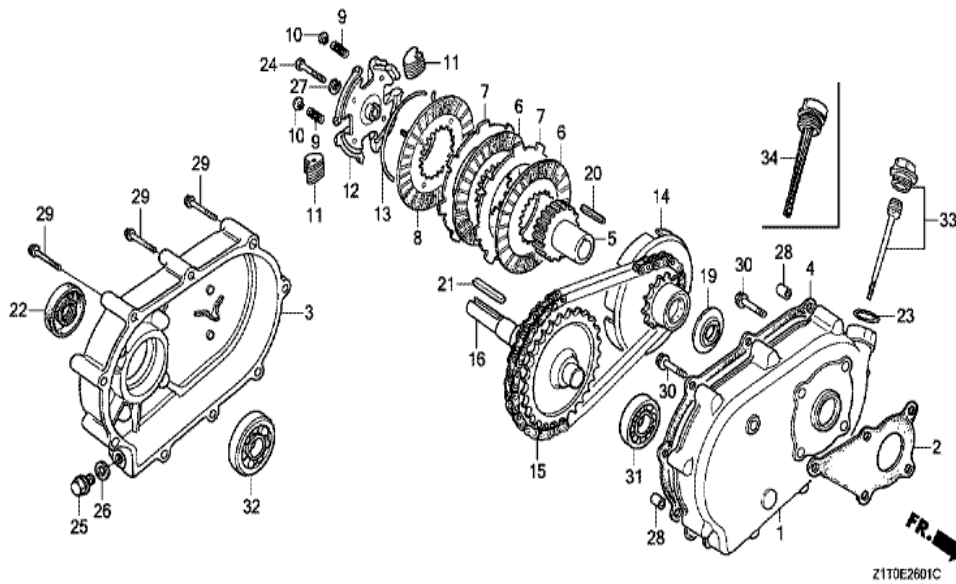
FR. →
Z1T0E2000

| Ref | Partnumber | Description | GX160H1 | Serial Numbers |
|-----|---------------|-----------------------------------|---------|----------------|
| 001 | 30500-Z1T-023 | COIL ASSY., IGNITION (TEC) | 1 | |
| 003 | 30700-Z1T-003 | CAP ASSY., NOISE SUPPRESSOR (TEC) | 1 | |
| 009 | 36101-ZE1-010 | CORD, STOP SWITCH (370MM) | 1 | |
| 009 | 36101-ZE1-010 | CORD, STOP SWITCH (370MM) | 1 | |
| 012 | 90121-952-000 | BOLT, FLANGE, 6X25 (CT200) | 2 | |



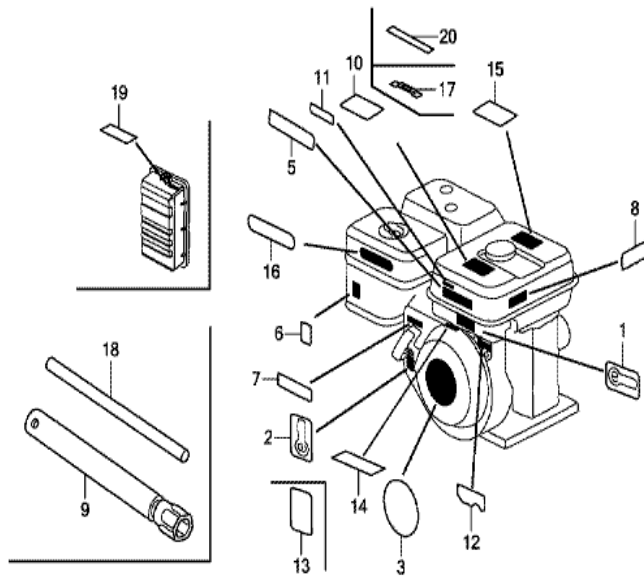
Z1T0-E2200B

| Ref | Partnumber | Description | GX160H1 | Serial Numbers |
|-----|---------------|------------------------------|---------|----------------|
| 002 | 16500-Z1T-600 | CONTROL ASSY. (REMOTE) | 1 | |
| 003 | 16551-ZE0-010 | ARM, GOVERNOR | 1 | |
| 004 | 16555-ZE1-000 | ROD, GOVERNOR | 1 | |
| 005 | 16561-ZE1-020 | SPRING, GOVERNOR | 1 | |
| 005 | 16561-ZE1-020 | SPRING, GOVERNOR | 1 | |
| 005 | 16561-ZE1-020 | SPRING, GOVERNOR | 1 | |
| 006 | 16562-ZE1-020 | SPRING, THROTTLE RETURN | 1 | |
| 007 | 16571-Z1T-000 | LEVER, CONTROL | 1 | |
| 008 | 16574-ZE1-000 | SPRING, LEVER | 1 | |
| 009 | 16575-ZH8-000 | WASHER, CONTROL LEVER | 1 | |
| 010 | 16576-891-000 | HOLDER, CABLE | 1 | |
| 011 | 16578-ZE1-000 | SPACER, CONTROL LEVER | 1 | |
| 012 | 16580-ZH8-813 | BASE COMP., CONTROL (REMOTE) | 1 | |
| Ref | Partnumber | Description | GX160H1 | Serial Numbers |
| 013 | 16584-883-300 | SPRING, CONTROL ADJUSTING | 1 | |
| 014 | 16592-ZE1-810 | SPRING, CABLE RETURN | 1 | |
| 016 | 90013-883-000 | BOLT, FLANGE, 6X12 (CT200) | 2 | |
| 017 | 90015-ZE5-010 | BOLT, GOVERNOR ARM | 1 | |
| 019 | 90114-SA0-000 | NUT, SELF-LOCK, 6MM | 1 | |
| 019 | 90202-Z1T-000 | NUT, SELF-LOCK, 6MM | 1 | |
| 020 | 93500-050160A | SCREW, PAN, 5X16 | 1 | |
| 021 | 93500-050250H | SCREW, PAN, 5X25 | 1 | |
| 022 | 94050-06000 | NUT, FLANGE, 6MM | 1 | |



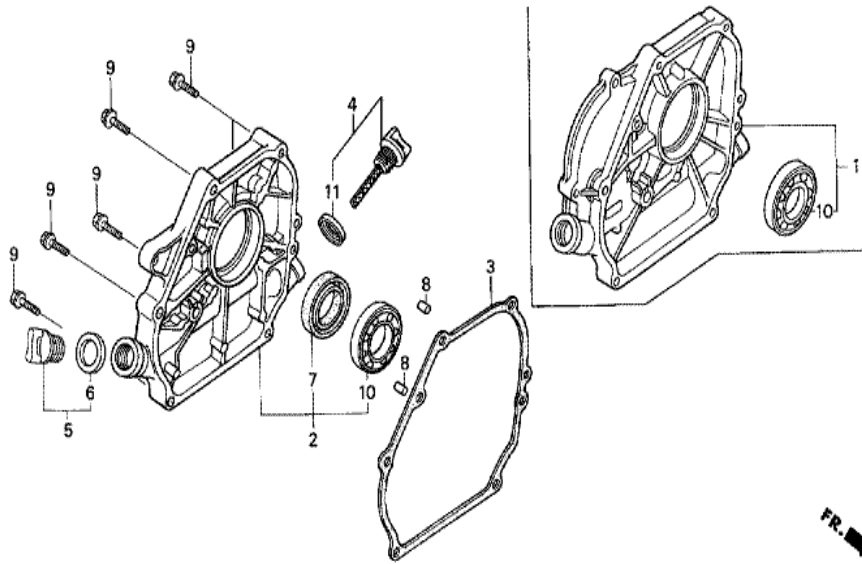
| Ref | Partnumber | Description | GX160H1 | Serial Numbers |
|-----|---------------|-------------------------------------------|---------|----------------|
| 001 | 21510-883-621 | CASE, REDUCTION | 1 | |
| 002 | 21591-ZH8-620 | PACKING, REDUCTION CASE | 1 | |
| 003 | 21610-822-611 | COVER, REDUCTION | 1 | |
| 004 | 21691-Z1T-701 | PACKING, REDUCTION COVER (NINGBO SIL GAS) | 1 | |
| 004 | 21691-Z1T-701 | PACKING, REDUCTION COVER (NINGBO SIL GAS) | 1 | |
| 004 | 21691-ZH8-800 | PACKING, REDUCTION COVER | 1 | |
| 004 | 21691-ZH8-800 | PACKING, REDUCTION COVER | 1 | |
| 005 | 22121-883-620 | CENTER, CLUTCH | 1 | |
| 006 | 22201-822-610 | DISK, CLUTCH FRICTION | 2 | |
| 007 | 22311-822-610 | PLATE, CLUTCH | 2 | |
| 008 | 22350-822-610 | PLATE COMP., CLUTCH PRESSURE | 1 | |
| 009 | 22411-822-611 | SPRING, CLUTCH FREE | 4 | |
| 010 | 22421-822-610 | HOLDER, CLUTCH SPRING | 4 | |

| <u>Ref</u> | <u>Partnumber</u> | <u>Description</u> | <u>GX160H1</u> | <u>Serial Numbers</u> |
|------------|-------------------|-----------------------------|----------------|-----------------------|
| 011 | 22521-822-610 | WEIGHT, CLUTCH | 48 | |
| 012 | 22531-883-620 | HOLDER, CLUTCH WEIGHT | 1 | |
| 013 | 22535-822-610 | CENTER, CLUTCH WEIGHT | 1 | |
| 014 | 23120-883-620 | SPROCKET COMP., DRIVE | 1 | |
| 015 | 23161-822-611 | CHAIN, DRIVE (RK428SH-36LE) | 1 | |
| 016 | 23711-822-610 | SHAFT COMP., P.T.O. (28T) | 1 | |
| 019 | 90403-883-620 | WASHER, THRUST, 20MM | 1 | |
| 020 | 90741-883-621 | KEY, 5MM | 1 | |
| 021 | 90741-889-810 | KEY, 7X7X33 (YELLOW) (O.S.) | 1 | |
| 022 | 91202-Z2F-801 | OIL SEAL, 30X50X7 | 1 | |
| 023 | 91301-805-000 | O-RING, 26X2.7 | 1 | |
| 024 | 92101-080350A | BOLT, HEX., 8X35 | 1 | |
| 025 | 92800-12000 | BOLT, DRAIN PLUG, 12MM | 1 | |
| 026 | 94109-12000 | WASHER, DRAIN PLUG, 12MM | 1 | |
| 027 | 94111-08800 | WASHER, SPRING, 8MM | 1 | |
| 028 | 94301-08100 | DOWEL PIN, 8X10 | 2 | |
| 029 | 95701-0605500 | BOLT, FLANGE, 6X55 | 9 | |
| 030 | 95701-0802200 | BOLT, FLANGE, 8X22 | 5 | |
| 031 | 96100-6205000 | BEARING, RADIAL BALL, 6205 | 1 | |
| 032 | 96100-6206000 | BEARING, RADIAL BALL, 6206 | 1 | |
| 034 | 15611-Z1T-000 | CAP, OIL FILLER | 1 | |



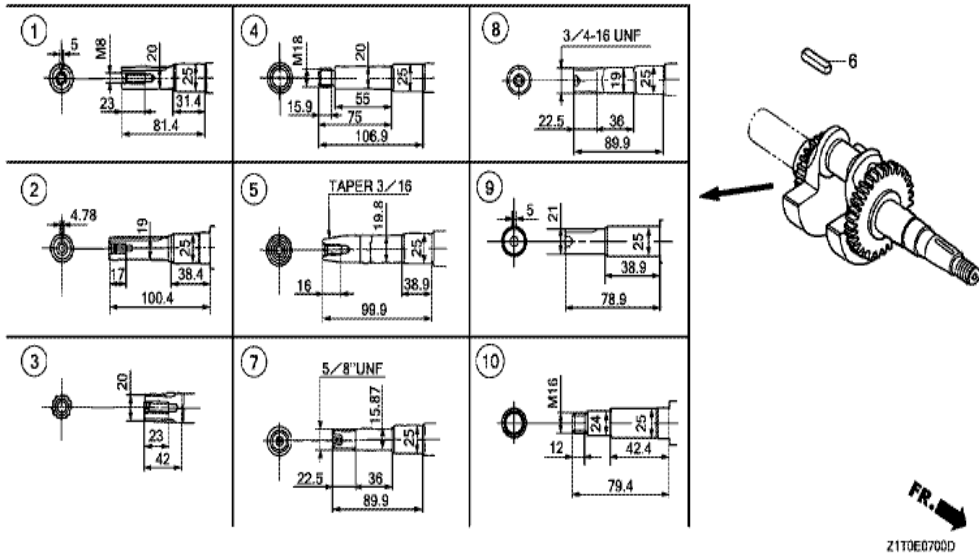
Z1T0E2800G

| Ref | Partnumber | Description | GX160H1 | Serial Numbers |
|-----|---------------|-----------------------------------------|---------|----------------|
| 003 | 87521-ZH8-040 | EMBLEM (GX160) | 1 | |
| 005 | 87522-Z1T-G21 | LABEL, CAUTION | 1 | |
| 005 | 87522-Z1T-G21 | LABEL, CAUTION | 1 | |
| 006 | 87528-ZE1-810 | MARK, CHOKE | 1 | |
| 013 | 87114-ZH7-000 | LABEL, WARNING (NOT CERTIFIED FOR SALE) | 1 | |

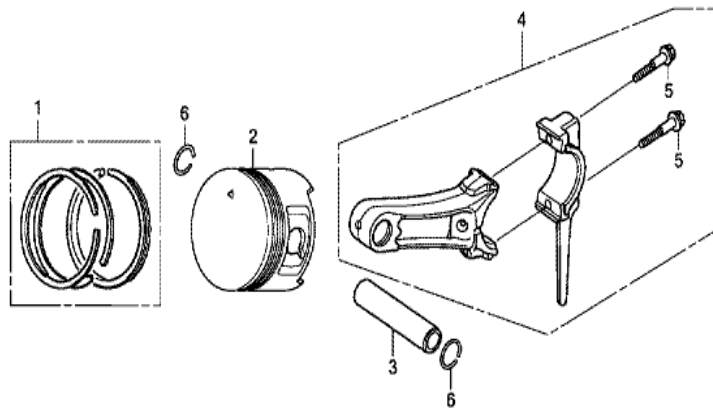


Z1T0-E0600A

| <u>Ref</u> | <u>Partnumber</u> | <u>Description</u> | <u>GX160H1</u> | <u>Serial Numbers</u> |
|------------|-------------------|-----------------------------------------|----------------|-----------------------|
| 002 | 11300-Z1T-000 | COVER ASSY., CRANKCASE | 1 | |
| 003 | 11381-Z1T-701 | PACKING, CASE COVER (NINGBO SIL GASKET) | 1 | |
| 003 | 11381-Z1T-701 | PACKING, CASE COVER (NINGBO SIL GASKET) | 1 | |
| 003 | 11381-ZH8-801 | PACKING, CASE COVER (NON ASBESTOS) | 1 | |
| 003 | 11381-ZH8-801 | PACKING, CASE COVER (NON ASBESTOS) | 1 | |
| 004 | 15600-Z1T-000 | CAP ASSY., OIL FILLER | 1 | |
| 004 | 15600-Z1T-000 | CAP ASSY., OIL FILLER | 1 | |
| 005 | 15600-Z1T-600 | CAP ASSY., OIL FILLER | 1 | |
| 005 | 15600-Z1T-600 | CAP ASSY., OIL FILLER | 1 | |
| 006 | 15625-Z1T-000 | PACKING, OIL FILLER CAP | 1 | |
| 006 | 15625-Z1T-000 | PACKING, OIL FILLER CAP | 1 | |
| 007 | 91202-Z1T-003 | OIL SEAL, 25X41X6 | 1 | |
| 008 | 94301-08140 | DOWEL PIN, 8X14 | 2 | |
| <u>Ref</u> | <u>Partnumber</u> | <u>Description</u> | <u>GX160H1</u> | <u>Serial Numbers</u> |
| 009 | 95701-0803200 | BOLT, FLANGE, 8X32 | 6 | |
| 010 | 96100-6205000 | BEARING, RADIAL BALL, 6205 | 1 | |
| 011 | 15625-Z1T-000 | PACKING, OIL FILLER CAP | 1 | |
| 011 | 15625-Z1T-000 | PACKING, OIL FILLER CAP | 1 | |



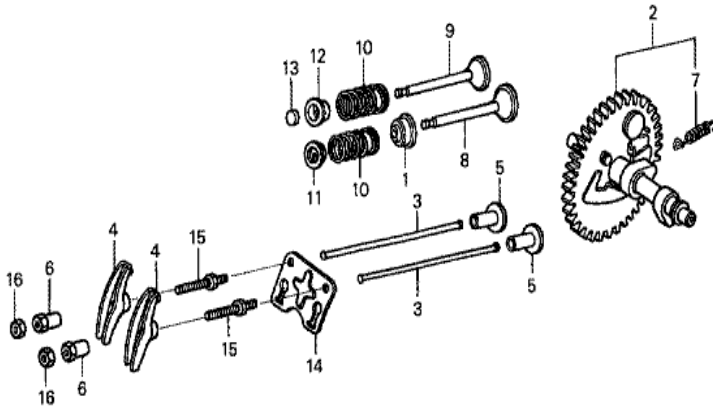
| Ref | Partnumber | Description | GX160H1 | Serial Numbers |
|-----|---------------|----------------------|---------|----------------|
| 001 | 13310-Z1T-880 | CRANKSHAFT COMP. | 1 | |
| 006 | 90741-883-810 | KEY, 5X5X33 (YELLOW) | 1 | |



FR. →
Z1T0E08000

| Ref | Partnumber | Description | GX160H1 | Serial Numbers |
|-----|---------------|------------------------------------------|---------|----------------|
| 001 | 13010-Z1T-701 | RING SET, PISTON (STD.) (FUJIAN DONGYA M | 1 | |
| 001 | 13010-Z1T-701 | RING SET, PISTON (STD.) (FUJIAN DONGYA M | 1 | |
| 001 | 13010-Z4K-004 | RING SET, PISTON (STD.) (TPR) | 1 | |
| 001 | 13010-Z4K-004 | RING SET, PISTON (STD.) (TPR) | 1 | |
| 001 | 13010-Z4P-003 | RING SET, PISTON (STD.) (RIKEN) | 1 | |
| 001 | 13010-Z4P-003 | RING SET, PISTON (STD.) (RIKEN) | 1 | |
| 001 | 13011-Z1T-701 | RING SET, PISTON (0.25) (FUJIAN DONGYA M | (1) | |
| 001 | 13011-Z1T-701 | RING SET, PISTON (0.25) (FUJIAN DONGYA M | (1) | |
| 001 | 13011-Z4K-004 | RING SET, PISTON (0.25) (TPR) | (1) | |
| 001 | 13011-Z4K-004 | RING SET, PISTON (0.25) (TPR) | (1) | |
| 001 | 13011-Z4P-003 | RING SET, PISTON (0.25) (RIKEN) | (1) | |
| 001 | 13011-Z4P-003 | RING SET, PISTON (0.25) (RIKEN) | (1) | |
| 001 | 13012-Z1T-701 | RING SET, PISTON (0.50) (FUJIAN DONGYA M | (1) | |

| <u>Ref</u> | <u>Partnumber</u> | <u>Description</u> | <u>GX160H1</u> | <u>Serial Numbers</u> |
|------------|-------------------|------------------------------------------|----------------|-----------------------|
| 001 | 13012-Z1T-701 | RING SET, PISTON (0.50) (FUJIAN DONGYA M | (1) | |
| 001 | 13012-Z4K-004 | RING SET, PISTON (0.50) (TPR) | (1) | |
| 001 | 13012-Z4K-004 | RING SET, PISTON (0.50) (TPR) | (1) | |
| 001 | 13012-Z4P-003 | RING SET, PISTON (0.50) (RIKEN) | (1) | |
| 001 | 13012-Z4P-003 | RING SET, PISTON (0.50) (RIKEN) | (1) | |
| 001 | 13013-Z1T-701 | RING SET, PISTON (0.75) (FUJIAN DONGYA M | (1) | |
| 001 | 13013-Z1T-701 | RING SET, PISTON (0.75) (FUJIAN DONGYA M | (1) | |
| 001 | 13013-Z4K-004 | RING SET, PISTON (0.75) (TPR) | (1) | |
| 001 | 13013-Z4K-004 | RING SET, PISTON (0.75) (TPR) | (1) | |
| 001 | 13013-Z4P-003 | RING SET, PISTON (0.75) (RIKEN) | (1) | |
| 001 | 13013-Z4P-003 | RING SET, PISTON (0.75) (RIKEN) | (1) | |
| 002 | 13101-Z1T-010 | PISTON (STD.) (JIALING-HONDA) | 1 | |
| 002 | 13102-Z1T-000 | PISTON (0.25) | (1) | |
| 002 | 13103-Z1T-000 | PISTON (0.50) | (1) | |
| 002 | 13103-Z1T-000 | PISTON (0.50) | (1) | |
| 002 | 13104-Z1T-000 | PISTON (0.75) | (1) | |
| 002 | 13104-Z1T-000 | PISTON (0.75) | (1) | |
| 003 | 13111-Z1T-000 | PIN, PISTON | 1 | |
| 004 | 13200-Z1T-600 | ROD ASSY., CONNECTING (JLH) | 1 | |
| 005 | 90001-Z1T-000 | BOLT, CONNECTING ROD | 2 | |
| 006 | 90551-ZE1-000 | CLIP, PISTON PIN, 18MM | 2 | |
| 007 | 13210-Z1T-305 | ROD COMP., CONNECTING (UNDER SIZE) | (1) | |



Z1T0-E0900



| <u>Ref</u> | <u>Partnumber</u> | <u>Description</u> | <u>GX160H1</u> | <u>Serial Numbers</u> |
|------------|-------------------|----------------------------|----------------|-----------------------|
| 001 | 12209-ZH8-003 | SEAL, VALVE STEM | 1 | |
| 002 | 14100-Z1T-810 | CAMSHAFT ASSY. (JLH) | 1 | |
| 003 | 14410-ZE1-010 | ROD, PUSH | 2 | |
| 004 | 14431-ZE1-000 | ARM, VALVE ROCKER | 2 | |
| 005 | 14441-ZE1-010 | LIFTER, VALVE | 2 | |
| 006 | 14451-Z7E-000 | PIVOT, ROCKER ARM | 2 | |
| 007 | 14568-ZE1-000 | SPRING, WEIGHT RETURN | 1 | |
| 008 | 14711-ZF1-000 | VALVE, IN. | 1 | |
| 009 | 14721-ZF1-000 | VALVE, EX. | 1 | |
| 010 | 14751-ZF1-000 | SPRING, VALVE | 2 | |
| 011 | 14771-ZE1-000 | RETAINER, IN. VALVE SPRING | 1 | |
| 012 | 14773-ZE1-000 | RETAINER, EX. VALVE SPRING | 1 | |
| 013 | 14781-ZE1-000 | ROTATOR, VALVE | 1 | |
| <u>Ref</u> | <u>Partnumber</u> | <u>Description</u> | <u>GX160H1</u> | <u>Serial Numbers</u> |
| 014 | 14791-ZE1-010 | PLATE, PUSH ROD GUIDE | 1 | |
| 015 | 90012-ZE0-010 | BOLT, PIVOT, 8MM | 2 | |
| 016 | 90206-ZE1-000 | NUT, PIVOT ADJUSTING | 2 | |