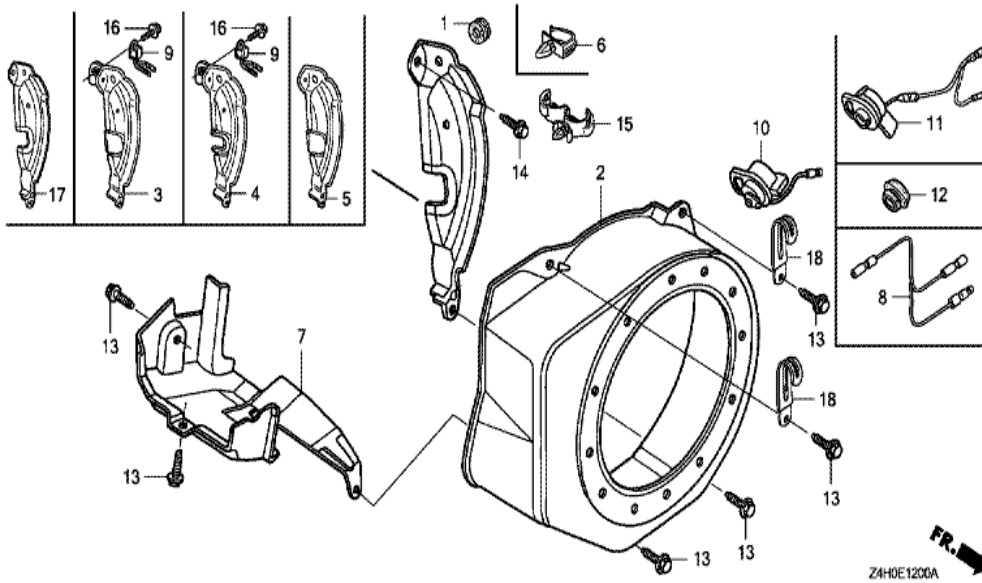
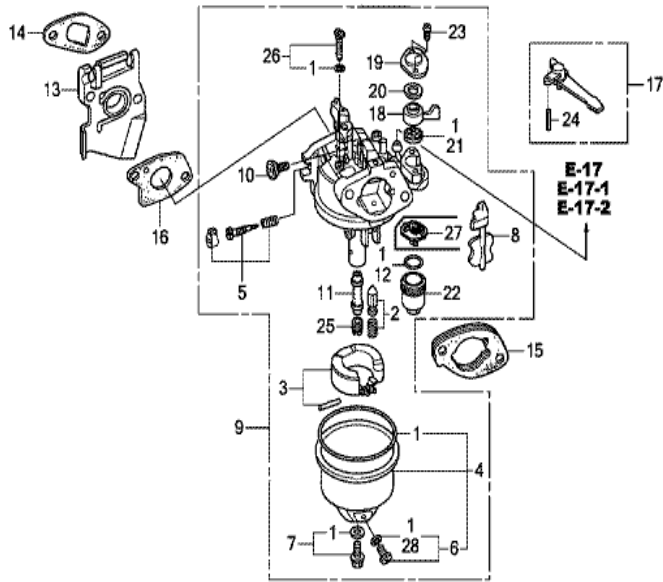


FR. →
Z4H0E1100A

<u>Ref</u>	<u>Partnumber</u>	<u>Description</u>	<u>GX120UT1</u>	<u>Serial Numbers</u>
001	28400-ZH8-023YA	STARTER ASSY., RECOIL *R280 *	1	
001	28400-ZH8-023YA	STARTER ASSY., RECOIL *R280 *	1	
001	28400-ZH8-023YA	STARTER ASSY., RECOIL *R280 *	1	
002	28410-ZH8-003YA	CASE COMP., RECOIL STARTER *R280 *	1	
002	28410-ZH8-003YA	CASE COMP., RECOIL STARTER *R280 *	1	
002	28410-ZH8-003YA	CASE COMP., RECOIL STARTER *R280 *	1	
003	28421-ZH8-801	REEL, RECOIL STARTER (BLACK)	1	
003	28421-ZH8-801	REEL, RECOIL STARTER (BLACK)	1	
004	28422-ZH8-801	RATCHET, STARTER	2	
005	28431-ZH8-801	PLATE, FRICTION	1	
006	28433-ZH8-801	GUIDE, RATCHET	1	
007	28441-ZH8-801	SPRING, FRICTION	1	
008	28442-ZH8-003	SPRING, RECOIL STARTER	1	
<u>Ref</u>	<u>Partnumber</u>	<u>Description</u>	<u>GX120UT1</u>	<u>Serial Numbers</u>
009	28443-ZH8-801	SPRING, RETURN	2	
010	28461-ZH8-003	GRIP, STARTER	1	1278007
010	28461-ZH8-003	GRIP, STARTER	1	1278007
010	28461-ZH8-013	KNOB, RECOIL STARTER	1	1278008
010	28461-ZH8-013	KNOB, RECOIL STARTER	1	1278008
011	28462-ZH8-003	ROPE, RECOIL STARTER	1	
012	90003-ZH8-801	SCREW, SETTING	1	
013	90008-ZE2-003	BOLT, FLANGE, 6X10	3	



Ref	Partnumber	Description	GX120UT1	Serial Numbers
001	11347-371-300	GROMMET, ADJUSTING COVER	1	
002	19610-ZE0-000ZS	COVER COMP., FAN *R280 *	1	
002	19610-ZE0-000ZS	COVER COMP., FAN *R280 *	1	
003	19611-ZH7-810	PLATE COMP., SIDE (OIL ALERT)	1	
007	19630-ZH7-000	SHROUD COMP.	1	
009	34150-ZH7-013	ALERT UNIT, OIL	1	
011	35120-Z0T-851	SWITCH ASSY., ENGINE STOP	1	
011	35120-Z0T-851	SWITCH ASSY., ENGINE STOP	1	
013	90013-883-000	BOLT, FLANGE, 6X12 (CT200)	4	
013	90013-883-000	BOLT, FLANGE, 6X12 (CT200)	6	
014	90022-888-010	BOLT, FLANGE, 6X20 (CT200)	1	
015	90601-ZH7-013	CLIP, HARNESS	1	
016	95701-0600800	BOLT, FLANGE, 6X8	1	

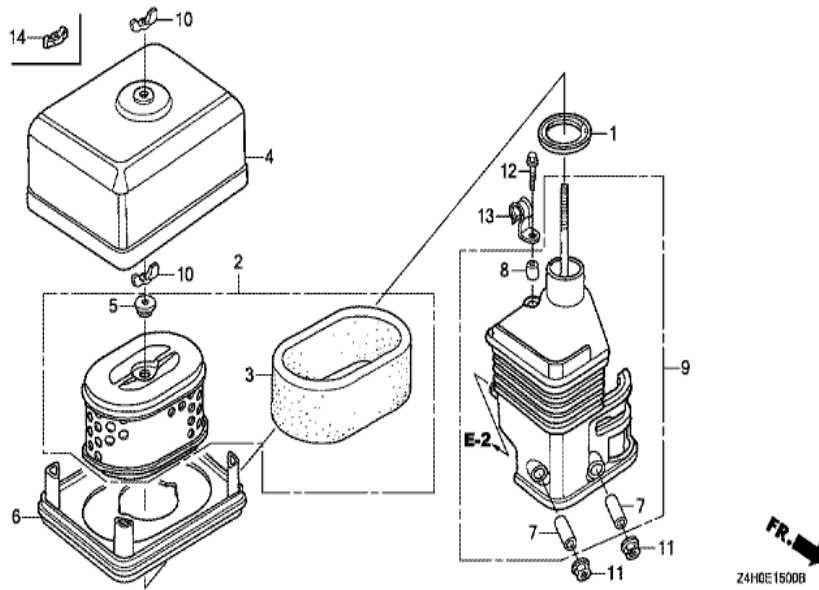


Z4H0E1401E

FR. →

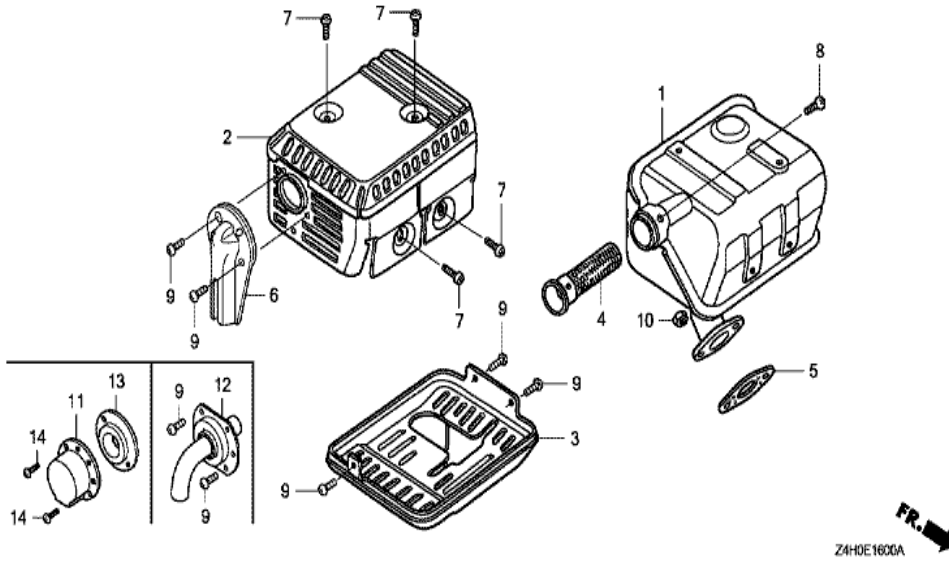
Ref	Partnumber	Description	GX120UT1	Serial Numbers
001	16010-ZE1-812	GASKET SET	1	
002	16011-ZE0-005	VALVE SET, FLOAT	1	
003	16013-ZOS-B01	FLOAT SET	1	
004	16015-ZE0-831	CHAMBER SET, FLOAT	1	
004	16015-ZE0-831	CHAMBER SET, FLOAT	1	
005	16016-ZH7-W01	SCREW SET, PILOT	1	
006	16024-ZE1-811	SCREW SET, DRAIN	1	
006	16024-ZE1-811	SCREW SET, DRAIN	1	
007	16028-ZE0-005	SCREW SET	1	
007	16028-ZE0-005	SCREW SET	1	
008	16044-ZE0-005	CHOKE SET	1	
009	16100-ZOS-921	CARBURETOR ASSY. (BE60R A)	1	
009	16100-ZOS-921	CARBURETOR ASSY. (BE60R A)	1	

<u>Ref</u>	<u>Partnumber</u>	<u>Description</u>	<u>GX120UT1</u>	<u>Serial Numbers</u>
010	16124-ZE0-005	SCREW, THROTTLE STOP	1	
011	16166-ZH7-W50	NOZZLE, MAIN	1	
011	16166-ZH7-W50	NOZZLE, MAIN	1	
012	16173-001-004	PACKING, FUEL STRAINER CUP	1	
013	16211-ZE0-000	INSULATOR, CARBURETOR	1	
014	16212-ZH7-800	PACKING, INSULATOR	1	
015	16220-ZE1-020	SPACER COMP., CARBURETOR	1	
016	16221-ZH8-801	PACKING, CARBURETOR	1	
017	16610-ZE1-000	LEVER COMP., CHOKE (STD.)	1	
018	16953-ZE1-812	LEVER, COCK	1	
019	16954-ZE1-812	PLATE, LEVER SETTING	1	
020	16956-ZE1-811	SPRING, COCK LEVER	1	
021	16957-ZE1-812	PACKING, FUEL COCK	1	
022	16967-ZE0-811	CUP, FUEL STRAINER	1	
023	93500-030061H	SCREW, PAN, 3X6	2	
024	94305-20122	PIN, SPRING, 2X12	1	
025	99101-ZH80550	JET, MAIN, #55	(1)	
025	99101-ZH80580	JET, MAIN, #58	(1)	
025	99101-ZH80580	JET, MAIN, #58	(1)	
025	99101-ZH80600	JET, MAIN, #60	(1)	
025	99101-ZH80600	JET, MAIN, #60	1	
026	99204-ZE00350	JET SET, PILOT, #35	1	
028	16141-ZOS-003	WASHER, PLAIN (6.2X10.7 DRAIN)	1	
028	16141-ZOS-003	WASHER, PLAIN (6.2X10.7 DRAIN)	1	



Z4H0E1500B

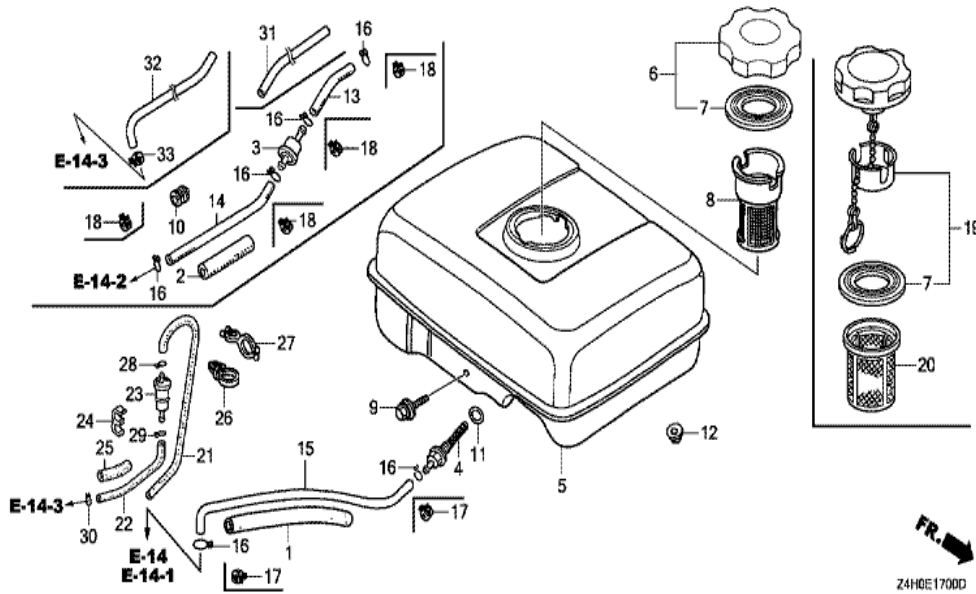
<u>Ref</u>	<u>Partnumber</u>	<u>Description</u>	<u>GX120UT1</u>	<u>Serial Numbers</u>
001	16271-ZE1-000	PACKING, ELBOW	1	
002	17210-ZE0-822	ELEMENT, AIR CLEANER (DUAL)	1	
002	17210-ZE0-822	ELEMENT, AIR CLEANER (DUAL)	1	
003	17218-ZE0-821	FILTER, OUTER	1	
004	17230-ZE0-820	COVER, AIR CLEANER (DUAL)	1	
005	17232-891-000	GROMMET, AIR CLEANER	1	
007	17238-ZE0-010	COLLAR, AIR CLEANER	2	
008	17239-ZE1-000	COLLAR B, AIR CLEANER	1	
009	17410-ZE0-030	ELBOW COMP., AIR CLEANER	1	
009	17410-ZE0-030	ELBOW COMP., AIR CLEANER	1	
009	17410-ZE0-030	ELBOW COMP., AIR CLEANER	1	
010	90325-044-000	NUT, TOOL BOX SETTING	1	
010	90325-044-000	NUT, TOOL BOX SETTING	2	
<u>Ref</u>	<u>Partnumber</u>	<u>Description</u>	<u>GX120UT1</u>	<u>Serial Numbers</u>
011	94050-06000	NUT, FLANGE, 6MM	2	
012	95701-0602000	BOLT, FLANGE, 6X20	1	



Z4H0E1600A

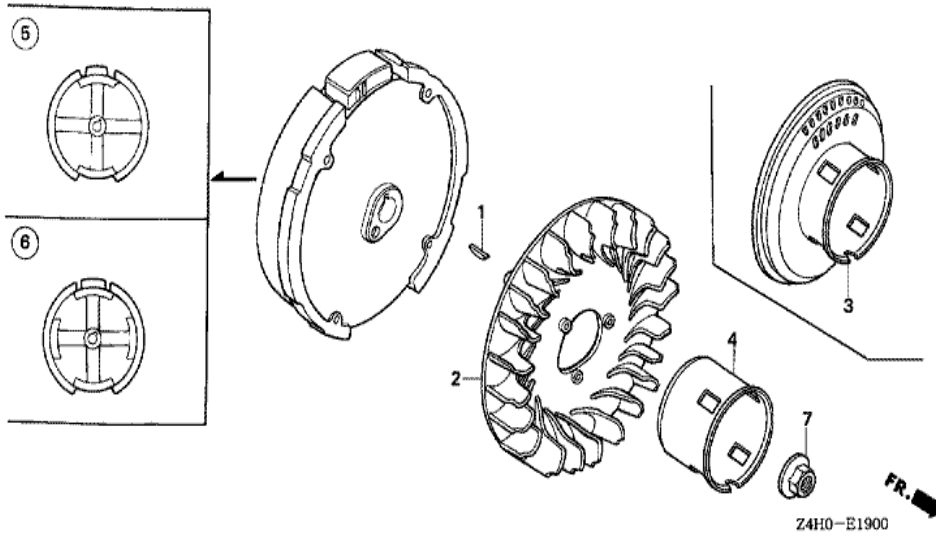


Ref	Partnumber	Description	GX12OUT1	Serial Numbers
001	18310-ZF1-000	MUFFLER COMP. (STD.)	1	
001	18310-ZH8-810	MUFFLER COMP. (ARRESTER)	(1)	
001	18310-ZH8-810	MUFFLER COMP. (ARRESTER)	(1)	
002	18320-ZF1-H01	PROTECTOR, MUFFLER (STD.) (BLACK)	1	
004	18355-ZE1-000	ARRESTER, SPARK	1	
004	18355-ZE1-000	ARRESTER, SPARK	(1)	
005	18381-ZOT-801	GASKET, MUFFLER	1	
005	18381-ZOT-801	GASKET, MUFFLER	1	1060774
007	90050-ZE1-000	SCREW, TAPPING, 5X8	4	
008	90055-ZE1-000	SCREW, TAPPING, 4X6	1	
008	90055-ZE1-000	SCREW, TAPPING, 4X6	(1)	
010	94001-080000S	NUT, HEX., 8MM	2	

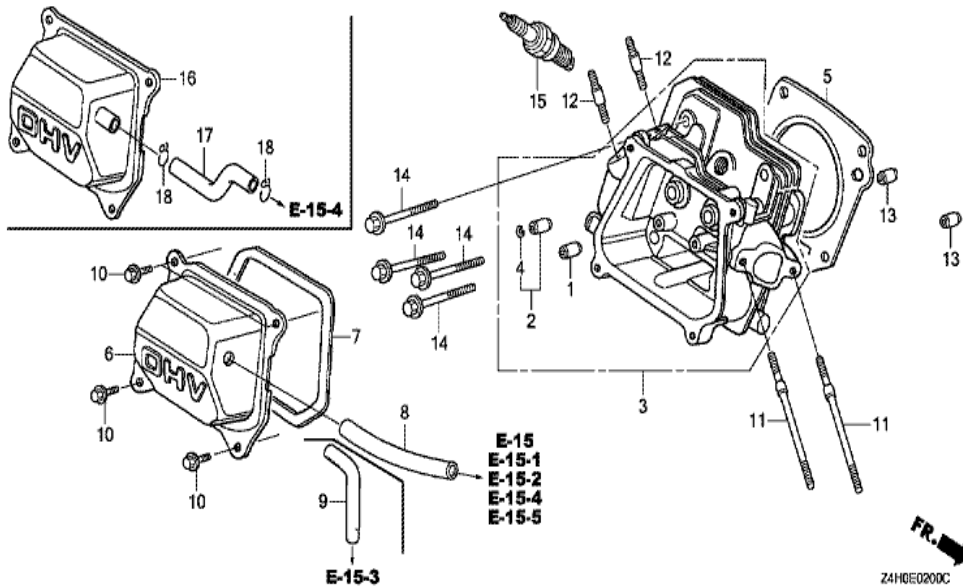


Z4H0E1700D

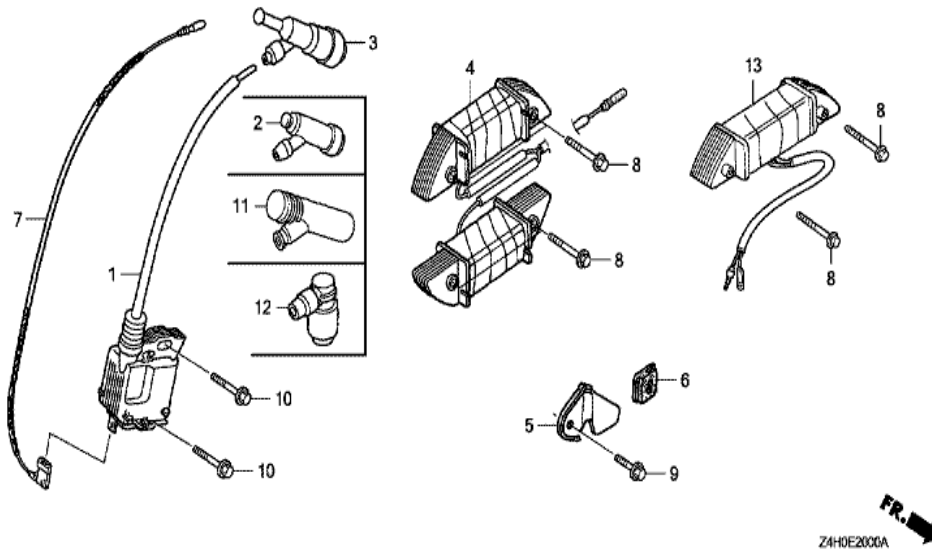
Ref	Partnumber	Description	GX120UT1	Serial Numbers
001	16854-ZH8-000	RUBBER, SUPPORTER (107MM)	1	
004	16955-ZE1-000	JOINT, FUEL TANK	1	1294628
004	16955-ZE1-010	JOINT, FUEL TANK	1	1294629
005	17510-Z0S-010ZB	TANK COMP., FUEL *NH31 *	1	1219128
005	17510-Z0S-010ZB	TANK COMP., FUEL *NH31 *	1	
007	17631-Z0T-801	PACKING, FUEL FILLER CAP (39X62X3) (RADI	1	
007	17631-Z0T-801	PACKING, FUEL FILLER CAP (39X62X3) (RADI	1	1206681
009	90004-ZH7-003	BOLT, FLANGE, 6X29	1	
011	91353-671-004	O-RING, 14MM (NOK)	1	
012	94050-06000	NUT, FLANGE, 6MM	2	
015	91424-Z4F-802	TUBE, FUEL, 4.5X140 (FKM)	1	
017	95002-4080008	CLAMP, TUBE (D8)	2	
019	17620-Z4H-020	CAP COMP., FUEL FILLER	1	



Ref	Partnumber	Description	GX120UT1	Serial Numbers
001	13331-357-000	KEY, SPECIAL WOODRUFF, 25X18	1	
002	19511-ZE0-000	FAN, COOLING	1	
004	28451-ZH7-801	PULLEY, STARTER	1	
005	31100-ZE0-020	FLYWHEEL COMP.	1	
007	90201-ZOT-800	NUT, SPECIAL, 14MM	1	



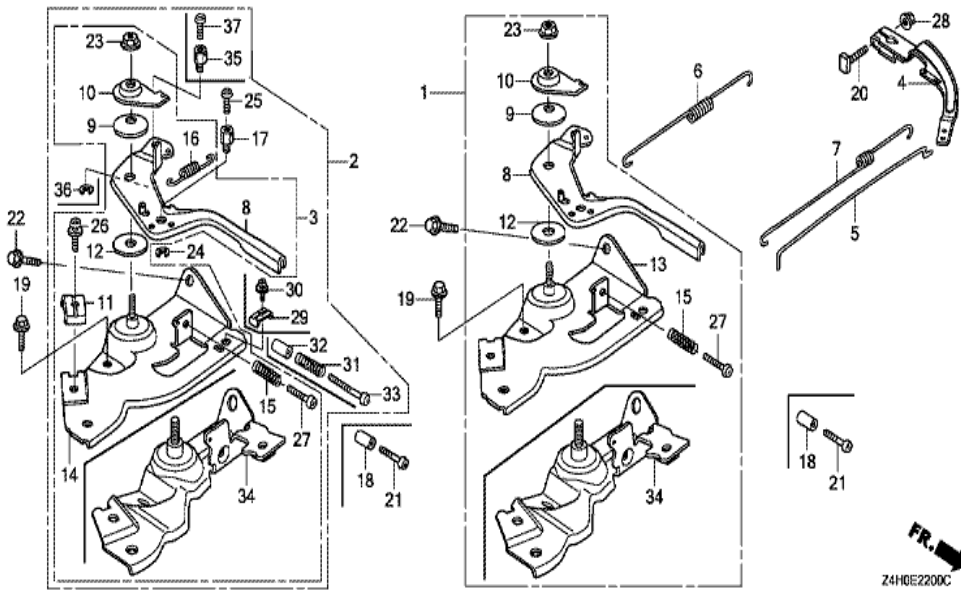
Ref	Partnumber	Description	GX120UT1	Serial Numbers
001	12204-ZE1-306	GUIDE, IN. VALVE (OS)	1	
002	12205-ZE1-315	GUIDE, EX. VALVE (OS)	1	
003	12210-ZH7-415	HEAD COMP., CYLINDER	1	
003	12210-ZH7-415	HEAD COMP., CYLINDER	1	
004	12216-ZE5-300	CLIP, VALVE GUIDE	1	
005	12251-Z0S-801	GASKET, CYLINDER HEAD (THAI LEAKLESS)	1	
005	12251-Z0S-801	GASKET, CYLINDER HEAD (THAI LEAKLESS)	1	1060774
006	12310-ZE1-020	COVER COMP., HEAD	1	
006	12310-ZE1-020	COVER COMP., HEAD	1	
007	12391-ZE1-000	PACKING, HEAD COVER	1	
008	15721-ZH8-000	TUBE, BREATHER	1	
010	90013-883-000	BOLT, FLANGE, 6X12 (CT200)	4	
011	90043-ZE1-020	BOLT, STUD, 6X112	2	
<u>Ref</u>	<u>Partnumber</u>	<u>Description</u>	<u>GX120UT1</u>	<u>Serial Numbers</u>
011	90043-ZE1-020	BOLT, STUD, 6X112	2	
011	90043-ZE1-020	BOLT, STUD, 6X112	2	
012	90047-ZE1-000	BOLT, STUD, 8X32	2	
013	94301-10160	DOWEL PIN, 10X16	2	
014	95701-0805500	BOLT, FLANGE, 8X55	4	
014	95701-0805500	BOLT, FLANGE, 8X55	4	1170369
015	98079-55846	PLUG, SPARK (BPR5ES) (NGK)	(1)	
015	98079-55846	PLUG, SPARK (BPR5ES) (NGK)	(1)	
015	98079-55855	PLUG, SPARK (W16EPR-U) (DENSO)	(1)	
015	98079-55855	PLUG, SPARK (W16EPR-U) (DENSO)	(1)	
015	98079-56855	PLUG, SPARK (W20EPR-U) (DENSO)	1	
015	98079-56855	PLUG, SPARK (W20EPR-U) (DENSO)	1	
015	98079-56876	PLUG, SPARK (BPR6ES) (NGK)	1	
015	98079-56876	PLUG, SPARK (BPR6ES) (NGK)	1	



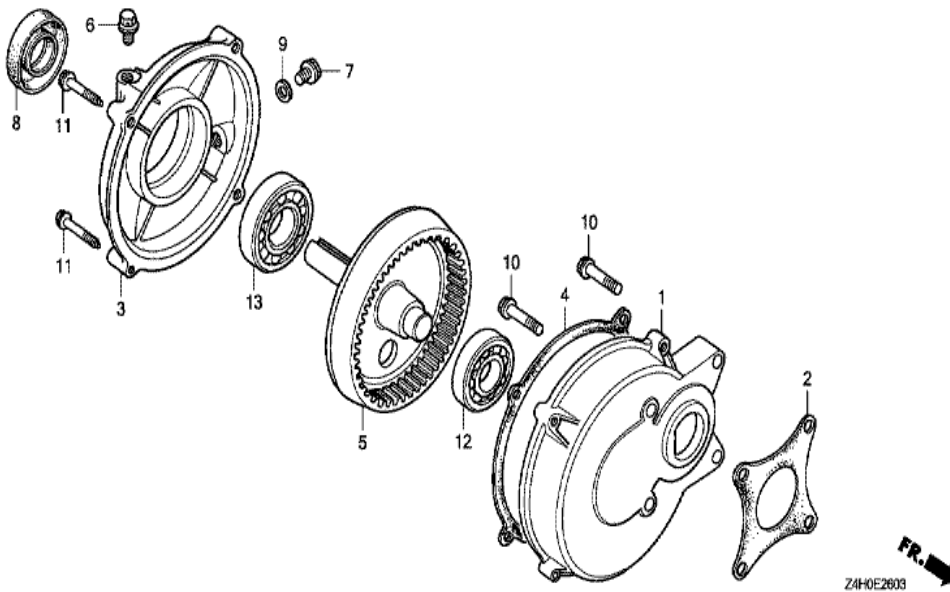
Z4H0E2006A



Ref	Partnumber	Description	GX120UT1	Serial Numbers
001	30500-Z0T-802	COIL ASSY., IGNITION (TEC)	1	
001	30500-Z0T-802	COIL ASSY., IGNITION (TEC)	1	
003	30700-Z0T-811	CAP ASSY., NOISE SUPPRESSOR (NGK)	1	
007	36101-ZE1-010	CORD, STOP SWITCH (370MM)	1	
007	36101-ZE1-010	CORD, STOP SWITCH (370MM)	1	
010	90121-952-000	BOLT, FLANGE, 6X25 (CT200)	2	

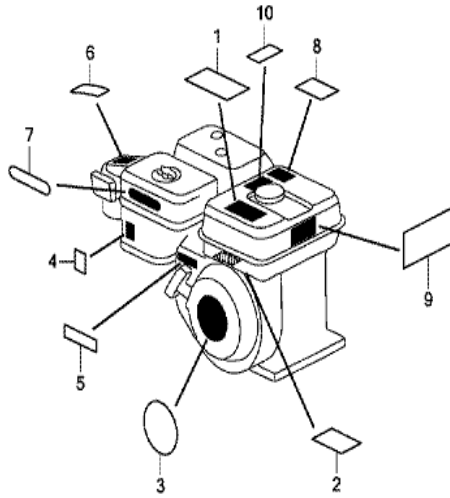


<u>Ref</u>	<u>Partnumber</u>	<u>Description</u>	<u>GX12OUT1</u>	<u>Serial Numbers</u>
003	16500-ZH7-820	CONTROL ASSY. (REMOTE)	1	
003	16500-ZH7-820	CONTROL ASSY. (REMOTE)	1	
003	16500-ZH7-820	CONTROL ASSY. (REMOTE)	1	
004	16551-ZE0-010	ARM, GOVERNOR	1	
005	16555-ZE0-000	ROD, GOVERNOR	1	
006	16561-ZE0-020	SPRING, GOVERNOR	1	
007	16562-ZE0-020	SPRING, THROTTLE RETURN	1	
008	16571-ZH7-000	LEVER, CONTROL	1	
008	16571-ZH7-000	LEVER, CONTROL	1	
009	16574-ZE1-000	SPRING, LEVER	1	
010	16575-ZH8-000	WASHER, CONTROL LEVER	1	
011	16576-891-000	HOLDER, CABLE	1	
012	16578-ZE1-000	SPACER, CONTROL LEVER	1	
<u>Ref</u>	<u>Partnumber</u>	<u>Description</u>	<u>GX12OUT1</u>	<u>Serial Numbers</u>
014	16580-ZH7-810	BASE COMP., CONTROL (###)	1	
015	16584-883-300	SPRING, CONTROL ADJUSTING	1	
016	16592-ZE1-810	SPRING, CABLE RETURN	1	
019	90013-883-000	BOLT, FLANGE, 6X12 (CT200)	1	
020	90015-ZE5-010	BOLT, GOVERNOR ARM	1	
020	90015-ZE5-010	BOLT, GOVERNOR ARM	1	
022	90022-888-010	BOLT, FLANGE, 6X20 (CT200)	1	
023	90114-SA0-000	NUT, SELF-LOCK, 6MM	1	
026	93500-050160A	SCREW, PAN, 5X16	1	
027	93500-050250H	SCREW, PAN, 5X25	1	
028	94050-06000	NUT, FLANGE, 6MM	1	



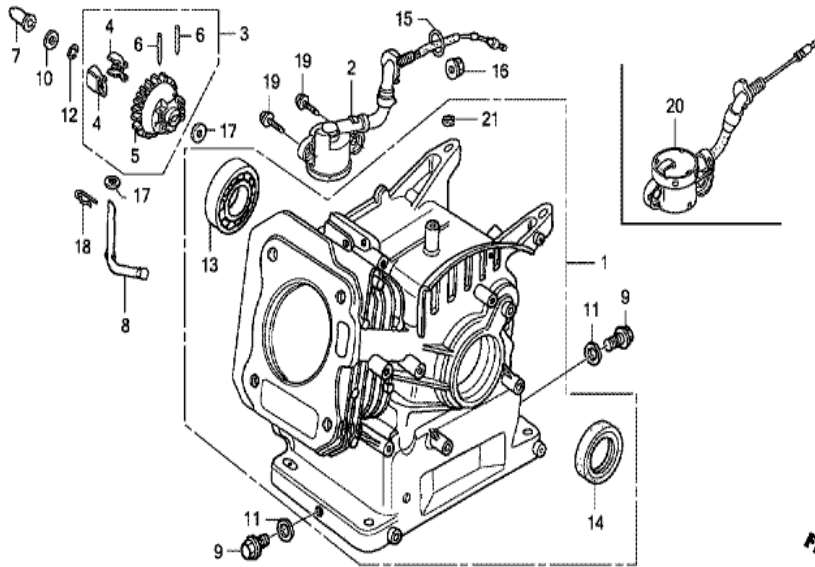
Z4H0E2603

<u>Ref</u>	<u>Partnumber</u>	<u>Description</u>	<u>GX120UT1</u>	<u>Serial Numbers</u>
001	21521-883-741	CASE, REDUCTION	1	
002	21591-ZH8-740	PACKING, REDUCTION CASE	1	
003	21621-883-741	COVER, REDUCTION	1	
004	21692-ZH8-800	PACKING, REDUCTION COVER	1	
004	21692-ZH8-800	PACKING, REDUCTION COVER	1	
005	23710-883-740	SHAFT, P.T.O. (86T)	1	
006	90002-883-740	BOLT, BREATHING	1	
007	90131-883-000	BOLT, DRAIN PLUG, 12X15	1	
008	91201-Z0T-801	OIL SEAL, 25X41X6 (NOK)	1	
009	94109-12000	WASHER, DRAIN PLUG, 12MM	1	
010	95701-0803208	BOLT, FLANGE, 8X32	4	
011	95701-0803500	BOLT, FLANGE, 8X35	4	
012	96100-6204000	BEARING, RADIAL BALL, 6204	1	
<u>Ref</u>	<u>Partnumber</u>	<u>Description</u>	<u>GX120UT1</u>	<u>Serial Numbers</u>
013	96100-6305000	BEARING, RADIAL BALL, 6305	1	



Z4H0E2B00C

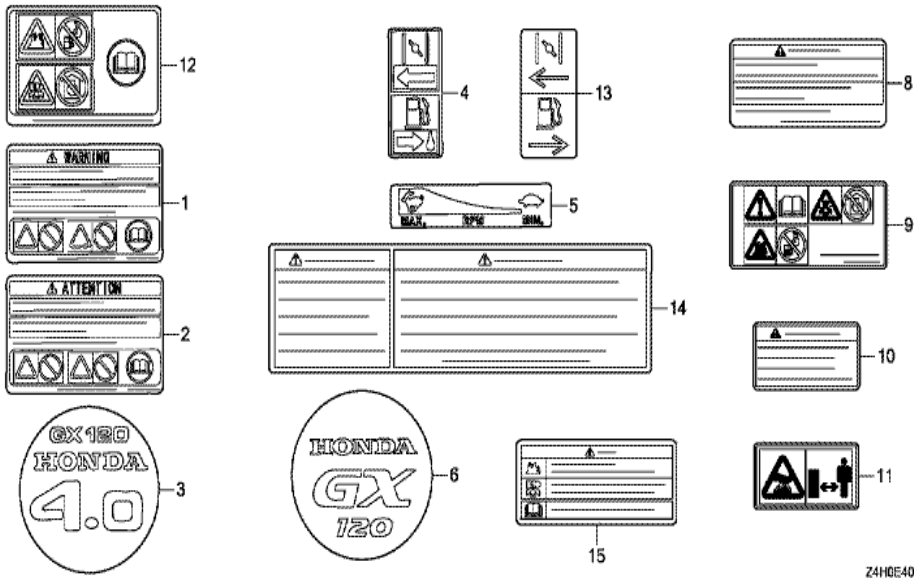
Ref	Partnumber	Description	GX120UT1	Serial Numbers
001	87516-Z4H-000	MARK, OPERATOR CAUTION (ENGLISH) (MADE I	1	1279267
001	87516-Z4H-000	MARK, OPERATOR CAUTION (ENGLISH) (MADE I	1	1279267
001	87516-Z4H-010	MARK, OPERATOR CAUTION (ENGLISH) (MADE I	1	1279268
001	87516-Z4H-010	MARK, OPERATOR CAUTION (ENGLISH) (MADE I	1	1279268
001	87516-ZH7-810	MARK, OPERATOR CAUTION (PICTOGRAPH) (MAD	(1)	
001	87516-ZH7-810	MARK, OPERATOR CAUTION (PICTOGRAPH) (MAD	(1)	
001	87516-ZH7-810	MARK, OPERATOR CAUTION (PICTOGRAPH) (MAD	(1)	
003	87521-ZH7-040	EMBLEM (GX120)	1	
003	87521-ZH7-040	EMBLEM (GX120)	1	
004	87528-ZH7-000	MARK, CHOKE (GRAY)	1	
004	87528-ZH7-000	MARK, CHOKE (GRAY)	1	
004	87528-ZH7-000	MARK, CHOKE (GRAY)	1	
005	87532-ZH7-000	MARK, THROTTLE INDICATION	1	



Z4H0E03009

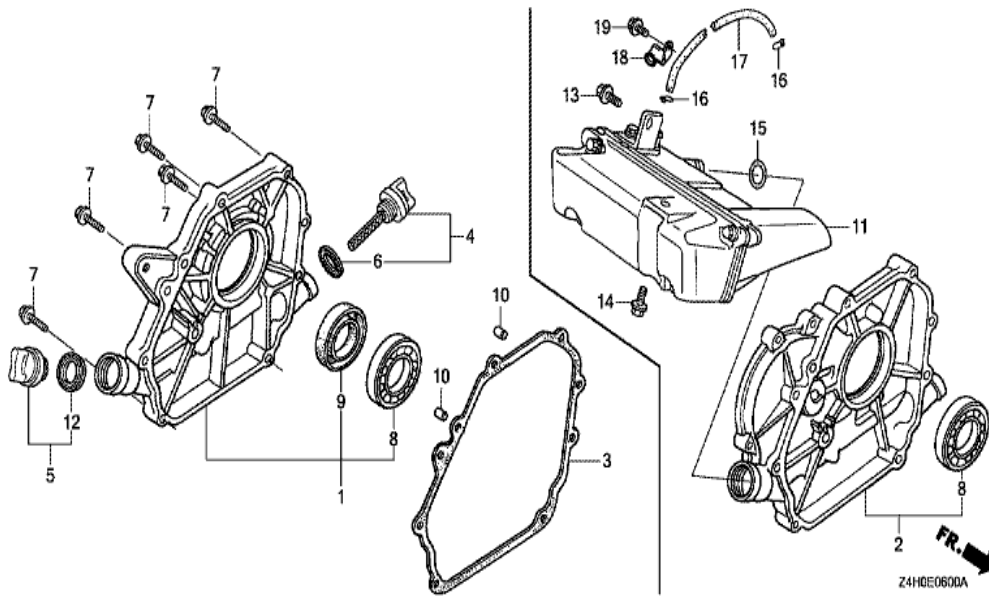


<u>Ref</u>	<u>Partnumber</u>	<u>Description</u>	<u>GX120UT1</u>	<u>Serial Numbers</u>
001	12000-ZOS-416	BARREL ASSY., CYLINDER (OIL ALERT)	1	
001	12000-ZOS-416	BARREL ASSY., CYLINDER (OIL ALERT)	1	
003	16510-ZE1-000	GOVERNOR ASSY.	1	
004	16511-ZE1-000	WEIGHT, GOVERNOR	2	
005	16512-ZE1-000	HOLDER, GOVERNOR WEIGHT	1	
006	16513-ZE1-000	PIN, GOVERNOR WEIGHT	2	
007	16531-ZE1-000	SLIDER, GOVERNOR	1	
008	16541-ZE1-000	SHAFT, GOVERNOR ARM	1	
009	90131-ZE1-000	BOLT, DRAIN PLUG	2	
010	90451-ZE1-000	WASHER, THRUST, 6MM	1	
011	90601-ZE1-000	WASHER, DRAIN PLUG, 10.2MM	2	
012	90602-ZE1-000	CLIP, GOVERNOR HOLDER	1	
013	91001-878-003	BEARING, RADIAL BALL,	1	
<u>Ref</u>	<u>Partnumber</u>	<u>Description</u>	<u>GX120UT1</u>	<u>Serial Numbers</u>
014	91202-ZE6-013	OIL SEAL, 22X35X6	1	
015	91353-671-004	O-RING, 14MM (NOK)	1	
016	94050-10000	NUT, FLANGE, 10MM	1	
017	94101-06800	WASHER, PLAIN, 6MM	2	
018	94251-08000	PIN, LOCK, 8MM	1	
019	95701-0601200	BOLT, FLANGE, 6X12	2	
020	35480-Z0T-003	SWITCH ASSY., OIL LEVEL	1	



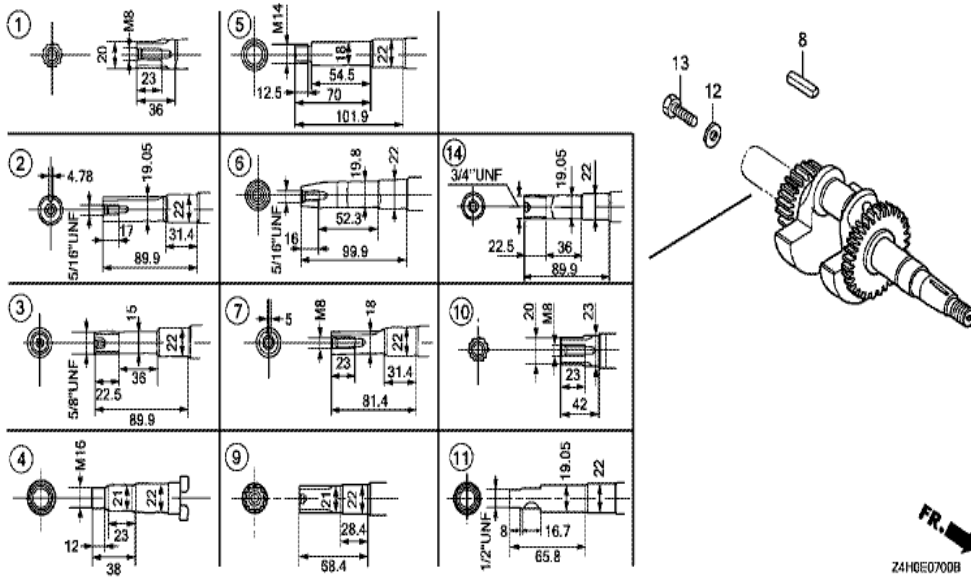
Z4H0E4001D

Ref	Partnumber	Description	GX120UT1	Serial Numbers
002	87516-Z4H-800	MARK, OPERATOR CAUTION (FRENCH) (MADE IN	1	1279267
002	87516-Z4H-800	MARK, OPERATOR CAUTION (FRENCH) (MADE IN	1	1279267
008	87516-Z4H-801	MARK, OPERATOR CAUTION (FRENCH) (MADE IN	1	1279268
010	87539-Z0J-810	MARK, EX. CAUTION (FRENCH)	1	1279268

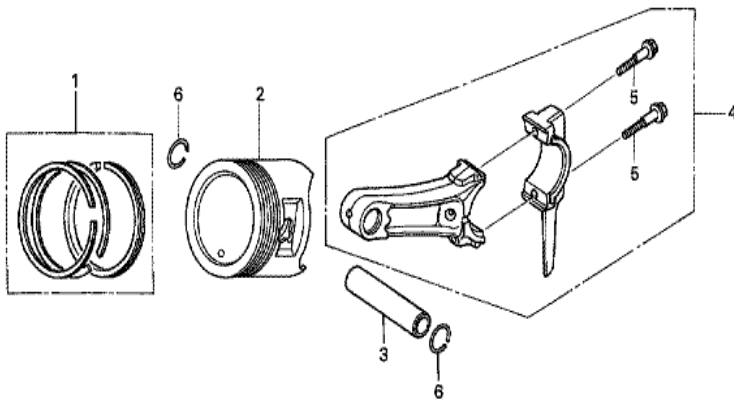


Z4H0E0600A

Ref	Partnumber	Description	GX120UT1	Serial Numbers
001	11300-ZE0-634	COVER ASSY., CRANKCASE	1	
001	11300-ZE0-634	COVER ASSY., CRANKCASE	1	
003	11381-ZH7-800	PACKING, CASE COVER	1	
004	15600-ZOT-810	CAP ASSY., OIL FILLER (GAUGE) (GRAY)	1	
005	15600-ZOT-820	CAP ASSY., OIL FILLER (BLACK)	1	
006	15625-ZOT-800	PACKING, OIL FILLER CAP	1	
006	15625-ZOT-800	PACKING, OIL FILLER CAP	1	
007	90015-883-000	BOLT, FLANGE, 6X28 (CT200)	7	
008	91001-878-003	BEARING, RADIAL BALL,	1	
009	91203-ZE0-013	OIL SEAL, 22X41X6	1	
010	94301-08140	DOWEL PIN, 8X14	2	
012	15625-ZOT-800	PACKING, OIL FILLER CAP	1	



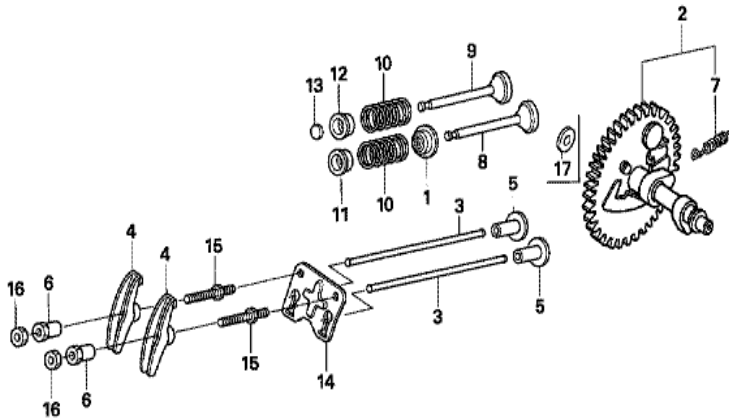
Ref	Partnumber	Description	GX120UT1	Serial Numbers
009	13310-Z4H-620	CRANKSHAFT COMP.	1	



Z4F0-E0800



<u>Ref</u>	<u>Partnumber</u>	<u>Description</u>	<u>GX120UT1</u>	<u>Serial Numbers</u>
001	13010-Z4F-004	RING SET, PISTON (STD.) (TEIKOKU)	1	
001	13010-Z4F-004	RING SET, PISTON (STD.) (TEIKOKU)	1	1117623
001	13011-Z4F-004	RING SET, PISTON (0.25) (TEIKOKU)	(1)	1120059
001	13011-Z4F-004	RING SET, PISTON (0.25) (TEIKOKU)	(1)	
001	13011-Z4F-004	RING SET, PISTON (0.25) (TEIKOKU)	(1)	1117623
001	13012-Z4F-004	RING SET, PISTON (0.50) (TEIKOKU)	(1)	1120059
001	13012-Z4F-004	RING SET, PISTON (0.50) (TEIKOKU)	(1)	
001	13012-Z4F-004	RING SET, PISTON (0.50) (TEIKOKU)	(1)	1117623
001	13013-Z4F-004	RING SET, PISTON (0.75) (TEIKOKU)	(1)	1120059
001	13013-Z4F-004	RING SET, PISTON (0.75) (TEIKOKU)	(1)	
001	13013-Z4F-004	RING SET, PISTON (0.75) (TEIKOKU)	(1)	1117623
002	13101-ZH7-020	PISTON (STD.)	1	
002	13101-ZH7-020	PISTON (STD.)	1	1141324
<u>Ref</u>	<u>Partnumber</u>	<u>Description</u>	<u>GX120UT1</u>	<u>Serial Numbers</u>
002	13102-ZH7-020	PISTON (0.25)	(1)	1141324
002	13102-ZH7-020	PISTON (0.25)	(1)	
002	13102-ZH7-020	PISTON (0.25)	(1)	
002	13103-ZH7-020	PISTON (0.50)	(1)	
002	13103-ZH7-020	PISTON (0.50)	(1)	
002	13103-ZH7-020	PISTON (0.50)	(1)	
002	13104-ZH7-020	PISTON (0.75)	(1)	1141324
002	13104-ZH7-020	PISTON (0.75)	(1)	
002	13104-ZH7-020	PISTON (0.75)	(1)	
003	13111-ZE0-000	PIN, PISTON	1	
004	13200-ZOS-800	ROD ASSY., CONNECTING	1	
005	90001-ZE1-000	BOLT, CONNECTING ROD	2	
006	90551-ZE0-000	CLIP, PISTON PIN, 13MM	2	



Z4H0-E0900A



<u>Ref</u>	<u>Partnumber</u>	<u>Description</u>	<u>GX120UT1</u>	<u>Serial Numbers</u>
001	12209-ZH8-003	SEAL, VALVE STEM	1	
001	12209-ZH8-003	SEAL, VALVE STEM	1	
002	14100-ZE0-812	CAMSHAFT ASSY.	1	
002	14100-ZE0-812	CAMSHAFT ASSY.	1	
003	14410-ZE0-010	ROD, PUSH	2	
004	14431-ZE1-000	ARM, VALVE ROCKER	2	
005	14441-ZE1-010	LIFTER, VALVE	2	
006	14451-ZE1-013	PIVOT, ROCKER ARM	2	
006	14451-ZE1-013	PIVOT, ROCKER ARM	2	
007	14568-ZE1-000	SPRING, WEIGHT RETURN	1	
008	14711-ZF0-010	VALVE, IN.	1	
008	14711-ZF0-010	VALVE, IN.	1	
009	14721-ZF0-000	VALVE, EX.	1	
<u>Ref</u>	<u>Partnumber</u>	<u>Description</u>	<u>GX120UT1</u>	<u>Serial Numbers</u>
009	14721-ZF0-000	VALVE, EX.	1	
010	14751-ZF1-000	SPRING, VALVE	2	
011	14771-ZE1-000	RETAINER, IN. VALVE SPRING	1	
011	14771-ZE1-000	RETAINER, IN. VALVE SPRING	1	
012	14773-Z4X-000	RETAINER, EX. VALVE SPRING	1	
012	14773-Z4X-000	RETAINER, EX. VALVE SPRING	1	
012	14773-Z4X-000	RETAINER, EX. VALVE SPRING	1	
013	14781-ZE1-000	ROTATOR, VALVE	1	
014	14791-ZE0-010	PLATE, PUSH ROD GUIDE	1	
015	90012-ZE0-010	BOLT, PIVOT, 8MM	2	
016	90206-ZE1-000	NUT, PIVOT ADJUSTING	2	