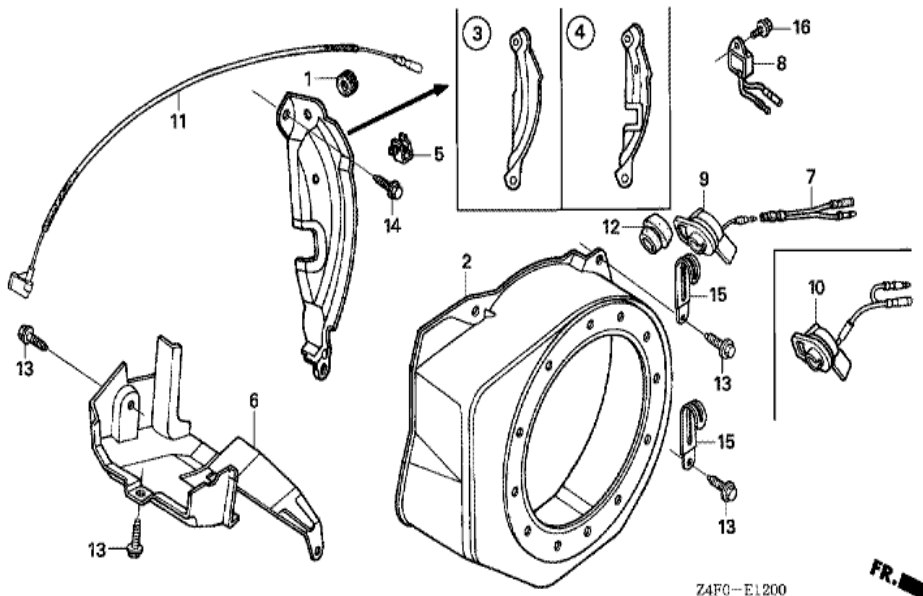


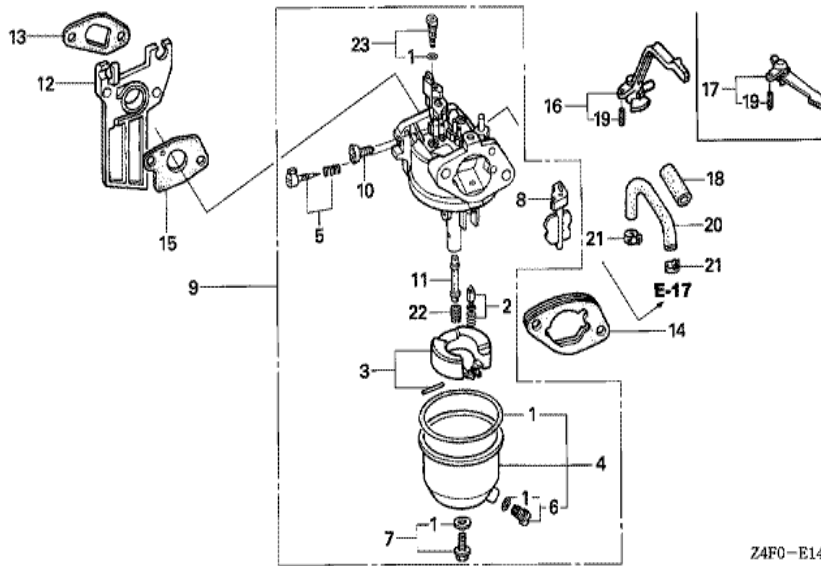
| <u>Ref</u> | <u>Partnumber</u> | <u>Description</u>                 | <u>GX120U1</u> | <u>Serial Numbers</u> |
|------------|-------------------|------------------------------------|----------------|-----------------------|
| 001        | 28400-ZH8-023YA   | STARTER ASSY., RECOIL *R280 *      | 1              |                       |
| 001        | 28400-ZH8-023YA   | STARTER ASSY., RECOIL *R280 *      | 1              | 1203298               |
| 001        | 28400-ZH8-023ZB   | STARTER ASSY., RECOIL *NH1 *       | 1              |                       |
| 001        | 28400-ZH8-023ZB   | STARTER ASSY., RECOIL *NH1 *       | 1              | 1203298               |
| 001        | 28400-ZH8-033YA   | STARTER ASSY., RECOIL *R280*       | 1              | 1203299               |
| 001        | 28400-ZH8-033ZB   | STARTER ASSY., RECOIL *NH1*        | 1              | 1203299               |
| 002        | 28410-ZH8-003YA   | CASE COMP., RECOIL STARTER *R280 * | 1              |                       |
| 002        | 28410-ZH8-003ZB   | CASE COMP., RECOIL STARTER *NH1 *  | 1              |                       |
| 002        | 28410-ZH8-003ZB   | CASE COMP., RECOIL STARTER *NH1 *  | 1              |                       |
| 003        | 28421-ZH8-801     | REEL, RECOIL STARTER (BLACK)       | 1              |                       |
| 003        | 28421-ZH8-801     | REEL, RECOIL STARTER (BLACK)       | 1              |                       |
| 004        | 28422-ZH8-801     | RATCHET, STARTER                   | 2              |                       |
| 005        | 28431-ZH8-801     | PLATE, FRICTION                    | 1              |                       |
| <u>Ref</u> | <u>Partnumber</u> | <u>Description</u>                 | <u>GX120U1</u> | <u>Serial Numbers</u> |
| 006        | 28433-ZH8-801     | GUIDE, RATCHET                     | 1              |                       |
| 007        | 28441-ZH8-801     | SPRING, FRICTION                   | 1              |                       |
| 008        | 28442-ZH8-003     | SPRING, RECOIL STARTER             | 1              |                       |
| 009        | 28443-ZH8-801     | SPRING, RETURN                     | 2              |                       |
| 010        | 28461-ZH8-003     | GRIP, STARTER                      | 1              | 1203298               |
| 010        | 28461-ZH8-013     | KNOB, RECOIL STARTER               | 1              | 1203299               |
| 011        | 28462-ZH8-003     | ROPE, RECOIL STARTER               | 1              |                       |
| 012        | 90003-ZH8-801     | SCREW, SETTING                     | 1              |                       |
| 013        | 90008-ZE2-003     | BOLT, FLANGE, 6X10                 | 3              |                       |



Z4FC-E1200

FR. →

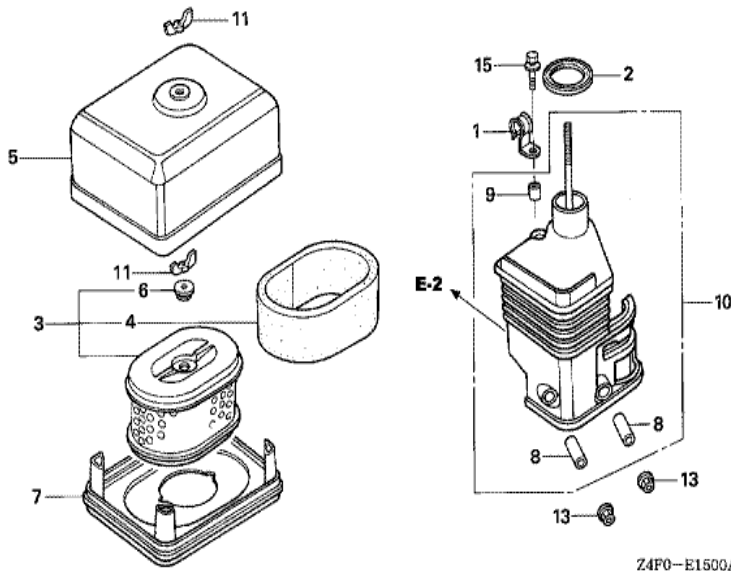
| Ref | Partnumber      | Description                | GX120U1 | Serial Numbers |
|-----|-----------------|----------------------------|---------|----------------|
| 001 | 11347-371-300   | GROMMET, ADJUSTING COVER   | 1       |                |
| 002 | 19610-ZK7-V00ZC | COVER COMP., FAN *NH1 *    | 1       |                |
| 002 | 19610-ZK7-V00ZC | COVER COMP., FAN *NH1 *    | 1       |                |
| 002 | 19610-ZK7-V00ZD | COVER COMP., FAN *R280 *   | 1       |                |
| 002 | 19610-ZK7-V00ZD | COVER COMP., FAN *R280 *   | 1       |                |
| 003 | 19612-ZK7-V00   | PLATE, SIDE                | 1       |                |
| 003 | 19612-ZK7-V00   | PLATE, SIDE                | 1       |                |
| 009 | 35120-Z0D-V81   | SWITCH ASSY., ENGINE STOP  | 1       |                |
| 011 | 36101-ZE1-010   | CORD, STOP SWITCH (370MM)  | 1       |                |
| 013 | 90013-883-000   | BOLT, FLANGE, 6X12 (CT200) | 4       |                |
| 014 | 90022-888-010   | BOLT, FLANGE, 6X20 (CT200) | 1       |                |



Z4F0-E1401A



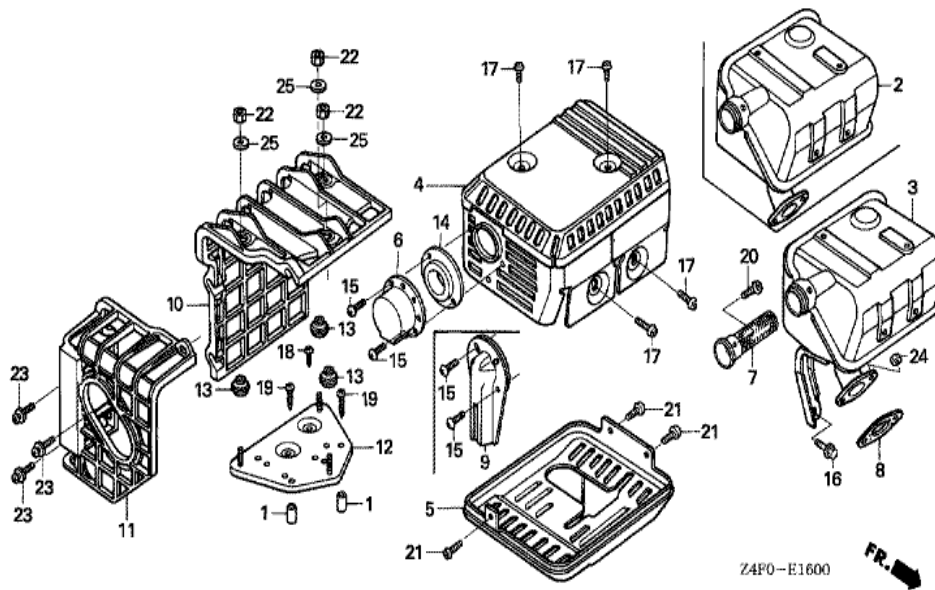
| <u>Ref</u> | <u>Partnumber</u> | <u>Description</u>         | <u>GX120U1</u> | <u>Serial Numbers</u> |
|------------|-------------------|----------------------------|----------------|-----------------------|
| 001        | 16010-ZB1-015     | GASKET SET                 | 1              |                       |
| 002        | 16011-ZE0-005     | VALVE SET, FLOAT           | 1              |                       |
| 003        | 16013-ZE0-005     | FLOAT SET                  | 1              |                       |
| 004        | 16015-ZE1-811     | CHAMBER SET, FLOAT         | 1              |                       |
| 004        | 16015-ZE1-811     | CHAMBER SET, FLOAT         | 1              |                       |
| 005        | 16016-ZH7-W01     | SCREW SET, PILOT           | 1              |                       |
| 006        | 16024-ZE1-811     | SCREW SET, DRAIN           | 1              |                       |
| 007        | 16028-ZE0-005     | SCREW SET                  | 1              |                       |
| 008        | 16044-ZE0-005     | CHOKE SET                  | 1              |                       |
| 009        | 16100-ZK7-U31     | CARBURETOR ASSY. (BE62C A) | 1              |                       |
| 009        | 16100-ZK7-U31     | CARBURETOR ASSY. (BE62C A) | 1              |                       |
| 010        | 16124-ZE0-005     | SCREW, THROTTLE STOP       | 1              |                       |
| 011        | 16166-ZH7-A50     | NOZZLE, MAIN               | 1              |                       |
| <u>Ref</u> | <u>Partnumber</u> | <u>Description</u>         | <u>GX120U1</u> | <u>Serial Numbers</u> |
| 012        | 16211-ZE0-000     | INSULATOR, CARBURETOR      | 1              |                       |
| 013        | 16212-ZH7-800     | PACKING, INSULATOR         | 1              |                       |
| 014        | 16220-ZE1-020     | SPACER COMP., CARBURETOR   | 1              |                       |
| 015        | 16221-ZH8-801     | PACKING, CARBURETOR        | 1              |                       |
| 017        | 16610-ZE1-000     | LEVER COMP., CHOKE (STD.)  | 1              |                       |
| 019        | 94305-20122       | PIN, SPRING, 2X12          | 1              |                       |
| 022        | 99101-ZH80580     | JET, MAIN, #58             | (1)            |                       |
| 022        | 99101-ZH80600     | JET, MAIN, #60             | (1)            |                       |
| 022        | 99101-ZH80600     | JET, MAIN, #60             | (1)            |                       |
| 022        | 99101-ZH80620     | JET, MAIN, #62             | 1              |                       |
| 022        | 99101-ZH80620     | JET, MAIN, #62             | 1              |                       |
| 023        | 99204-ZE00350     | JET SET, PILOT, #35        | 1              |                       |



Z4F0-E1500A



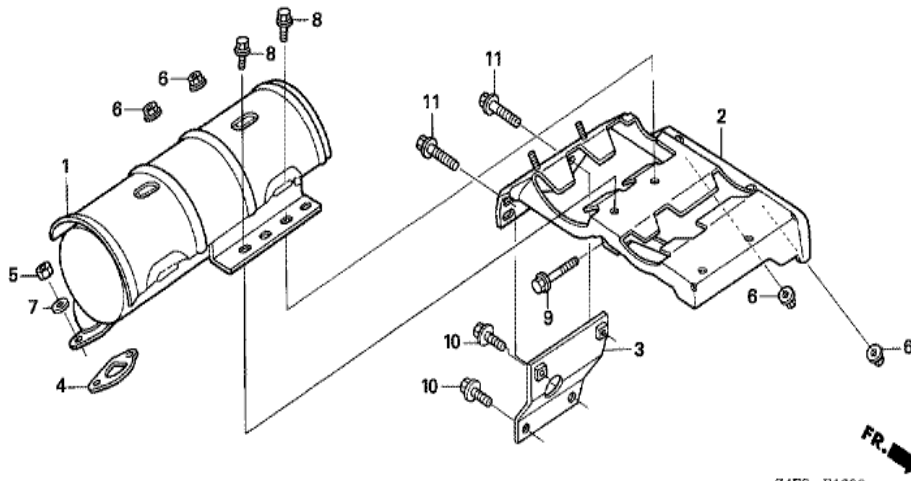
| <u>Ref</u> | <u>Partnumber</u> | <u>Description</u>          | <u>GX120U1</u> | <u>Serial Numbers</u> |
|------------|-------------------|-----------------------------|----------------|-----------------------|
| 001        | 16106-KW7-900     | CLIP B, TUBE                | 1              |                       |
| 002        | 16271-ZE1-000     | PACKING, ELBOW              | 1              |                       |
| 003        | 17210-ZE1-822     | ELEMENT, AIR CLEANER (DUAL) | 1              |                       |
| 003        | 17210-ZE1-822     | ELEMENT, AIR CLEANER (DUAL) | 1              |                       |
| 004        | 17218-ZE1-821     | FILTER, OUTER               | 1              |                       |
| 004        | 17218-ZE1-821     | FILTER, OUTER               | 1              |                       |
| 005        | 17230-ZE1-820     | COVER, AIR CLEANER (DUAL)   | 1              |                       |
| 005        | 17230-ZE1-820     | COVER, AIR CLEANER (DUAL)   | 1              |                       |
| 006        | 17232-891-000     | GROMMET, AIR CLEANER        | 1              |                       |
| 007        | 17235-ZE1-831     | NOSE, SILENCER              | 1              |                       |
| 008        | 17238-ZE7-010     | COLLAR, AIR CLEANER         | 2              |                       |
| 008        | 17238-ZE7-010     | COLLAR, AIR CLEANER         | 2              |                       |
| 009        | 17239-ZE1-000     | COLLAR B, AIR CLEANER       | 1              |                       |
| <u>Ref</u> | <u>Partnumber</u> | <u>Description</u>          | <u>GX120U1</u> | <u>Serial Numbers</u> |
| 010        | 17410-ZE1-020     | ELBOW COMP., AIR CLEANER    | 1              |                       |
| 010        | 17410-ZE1-020     | ELBOW COMP., AIR CLEANER    | 1              |                       |
| 011        | 90325-044-000     | NUT, TOOL BOX SETTING       | 2              |                       |
| 013        | 94050-06000       | NUT, FLANGE, 6MM            | 2              |                       |
| 015        | 95701-0602000     | BOLT, FLANGE, 6X20          | 1              |                       |



Z4F0-E1600

FR. →

| Ref | Partnumber    | Description              | GX120U1 | Serial Numbers |
|-----|---------------|--------------------------|---------|----------------|
| 002 | 18310-ZH8-810 | MUFFLER COMP. (ARRESTER) | (1)     |                |
| 002 | 18310-ZH8-810 | MUFFLER COMP. (ARRESTER) | (1)     |                |
| 007 | 18355-ZE1-000 | ARRESTER, SPARK          | 1       |                |
| 007 | 18355-ZE1-000 | ARRESTER, SPARK          | (1)     |                |
| 020 | 90055-ZE1-000 | SCREW, TAPPING, 4X6      | 1       |                |
| 020 | 90055-ZE1-000 | SCREW, TAPPING, 4X6      | (1)     |                |



Z4F0-E1602

| Ref | Partnumber    | Description         | GX120U1 | Serial Numbers |
|-----|---------------|---------------------|---------|----------------|
| 001 | 18310-ZK7-V01 | MUFFLER COMP.       | 1       |                |
| 002 | 18338-ZK7-V01 | STAY COMP., MUFFLER | 1       |                |
| 004 | 18381-ZH8-800 | GASKET, MUFFLER     | 1       |                |
| 005 | 94001-080000S | NUT, HEX., 8MM      | 2       |                |
| 006 | 94050-06000   | NUT, FLANGE, 6MM    | 4       |                |
| 007 | 94103-08700   | WASHER, PLAIN, 8MM  | 2       |                |
| 008 | 95701-0601600 | BOLT, FLANGE, 6X16  | 2       |                |
| 009 | 95701-0602500 | BOLT, FLANGE, 6X25  | 1       |                |
| 011 | 95701-0802000 | BOLT, FLANGE, 8X20  | 2       |                |
| 011 | 95701-0802000 | BOLT, FLANGE, 8X20  | 2       |                |

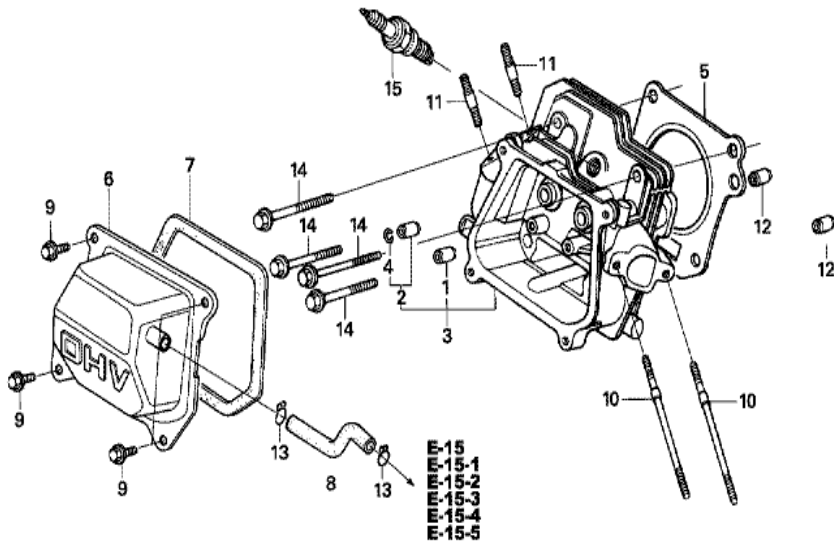


| Ref | Partnumber    | Description                             | GX120U1 | Serial Numbers |
|-----|---------------|---|---------|----------------|
| 001 | 16198-ZG0-U00 | TUBE A, AIR VENT                        | 1       |                |
| 002 | 16199-ZK7-S50 | TUBE                                    | 1       |                |
| 002 | 16199-ZK7-S50 | TUBE                                    | 1       |                |
| 004 | 35376-ZV5-830 | TUBE, POWER TRIM-TILT SWITCH CORD (50MM | 1       |                |
| 004 | 35376-ZV5-830 | TUBE, POWER TRIM-TILT SWITCH CORD (50MM | 1       |                |
| 005 | 16910-GB2-005 | STRAINER COMP., FUEL                    | 1       |                |
| 006 | 16910-ZG0-U02 | STRAINER COMP., FUEL                    | 1       |                |
| 008 | 17205-PC6-000 | CLAMP, TUBE, 7.5X2                      | 1       |                |
| 013 | 35376-ZV5-830 | TUBE, POWER TRIM-TILT SWITCH CORD (50MM | 1       |                |
| 015 | 90617-SA0-003 | CLIP, WIRE HARNESS                      | 1       |                |
| 020 | 91424-Z4G-851 | TUBE, FUEL, 4.5X350 (FKM)               | 1       | 1198060        |
| 020 | 95001-4535060 | TUBE, FUEL, 4.5X350 (95001-45001-60M)   | 1       | 1198059        |
| 020 | 95001-4535060 | TUBE, FUEL, 4.5X350 (95001-45001-60M)   | 1       | 1198059        |
| Ref | Partnumber    | Description                             | GX120U1 | Serial Numbers |
| 021 | 91424-Z4G-841 | TUBE, FUEL, 4.5X75 (FKM)                | 1       | 1198060        |
| 021 | 95001-4507560 | TUBE, FUEL, 4.5X75 (95001-45001-60M)    | 1       | 1198059        |
| 021 | 95001-4507560 | TUBE, FUEL, 4.5X75 (95001-45001-60M)    | 1       | 1198059        |
| 023 | 95002-02080   | CLIP, TUBE (B8)                         | 1       |                |
| 024 | 95002-02100   | CLIP, TUBE (B10)                        | 1       |                |
| 025 | 95002-4080008 | CLAMP, TUBE (D8)                        | 4       |                |
| 026 | 95002-50000   | CLIP, TUBE (C9)                         | 1       |                |

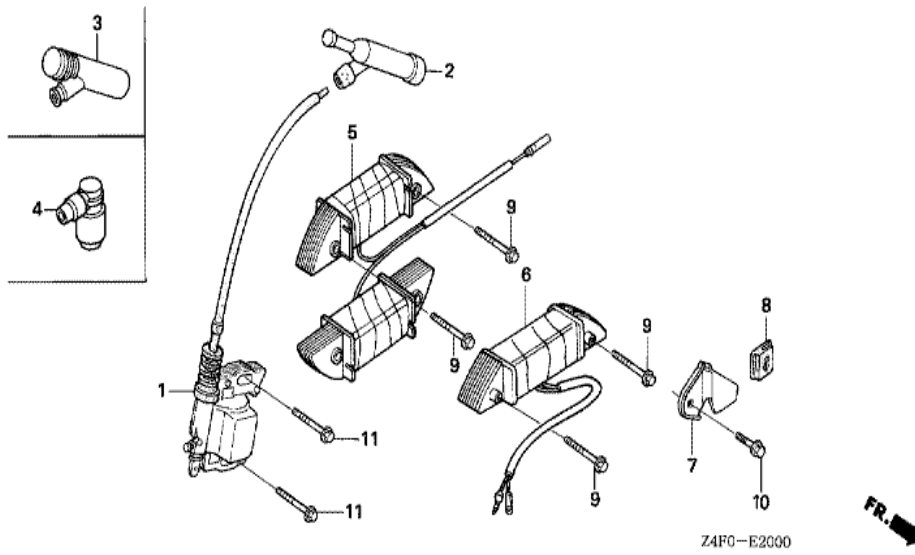


| Ref | Partnumber    | Description                  | GX120U1 | Serial Numbers |
|-----|---------------|------------------------------|---------|----------------|
| 001 | 13331-357-000 | KEY, SPECIAL WOODRUFF, 25X18 | 1       |                |
| 002 | 19511-ZE0-000 | FAN, COOLING                 | 1       |                |
| 004 | 28451-ZH7-801 | PULLEY, STARTER              | 1       |                |
| 005 | 31100-ZE0-010 | FLYWHEEL COMP.               | 1       | 1085092        |
| 005 | 31100-ZE0-020 | FLYWHEEL COMP.               | 1       |                |
| 005 | 31100-ZE0-020 | FLYWHEEL COMP.               | 1       | 1085093        |
| 007 | 90201-878-003 | NUT, SPECIAL, 14MM           | 1       |                |

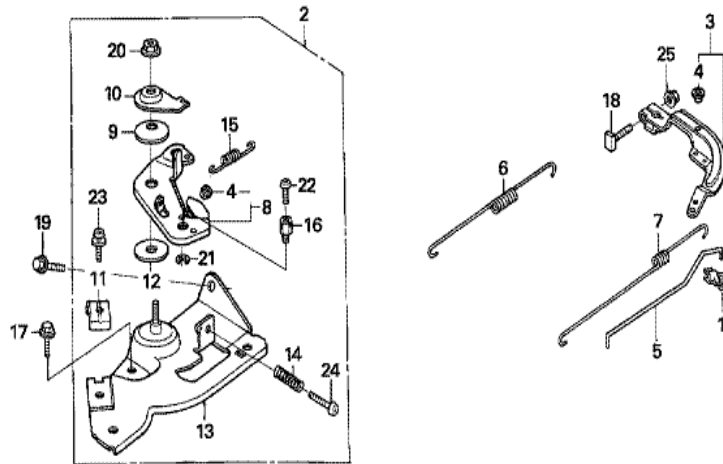




| Ref | Partnumber    | Description                    | GX120U1 | Serial Numbers |
|-----|---------------|--------------------------------|---------|----------------|
| 001 | 12204-ZE1-306 | GUIDE, IN. VALVE (OS)          | (1)     |                |
| 002 | 12205-ZE1-315 | GUIDE, EX. VALVE (OS)          | (1)     |                |
| 003 | 12210-ZH7-405 | HEAD COMP., CYLINDER           | 1       | 1046015        |
| 003 | 12210-ZH7-415 | HEAD COMP., CYLINDER           | 1       |                |
| 003 | 12210-ZH7-415 | HEAD COMP., CYLINDER           | 1       | 1046016        |
| 004 | 12216-ZE5-300 | CLIP, VALVE GUIDE              | 1       |                |
| 005 | 12251-ZH7-800 | GASKET, CYLINDER HEAD          | 1       |                |
| 005 | 12251-ZH7-800 | GASKET, CYLINDER HEAD          | 1       |                |
| 006 | 12310-ZE1-020 | COVER COMP., HEAD              | 1       |                |
| 007 | 12391-ZE1-000 | PACKING, HEAD COVER            | 1       |                |
| 008 | 15721-ZH8-000 | TUBE, BREATHER                 | 1       |                |
| 008 | 15721-ZH8-000 | TUBE, BREATHER                 | 1       |                |
| 009 | 90013-883-000 | BOLT, FLANGE, 6X12 (CT200)     | 4       |                |
| Ref | Partnumber    | Description                    | GX120U1 | Serial Numbers |
| 010 | 90043-ZE1-020 | BOLT, STUD, 6X112              | 2       |                |
| 010 | 90043-ZE1-020 | BOLT, STUD, 6X112              | 2       |                |
| 011 | 90047-ZE1-000 | BOLT, STUD, 8X32               | 2       |                |
| 012 | 94301-10160   | DOWEL PIN, 10X16               | 2       |                |
| 014 | 95701-0805500 | BOLT, FLANGE, 8X55             | 4       | 1049631        |
| 014 | 95723-0805500 | BOLT, FLANGE, 8X55             | 4       | 1049630        |
| 014 | 95723-0805500 | BOLT, FLANGE, 8X55             | 4       | 1049630        |
| 015 | 98079-54846   | PLUG, SPARK (BPR4ES) (NGK)     | 1       |                |
| 015 | 98079-54855   | PLUG, SPARK (W14EPR-U) (DENSO) | 1       |                |
| 015 | 98079-54855   | PLUG, SPARK (W14EPR-U) (DENSO) | 1       |                |



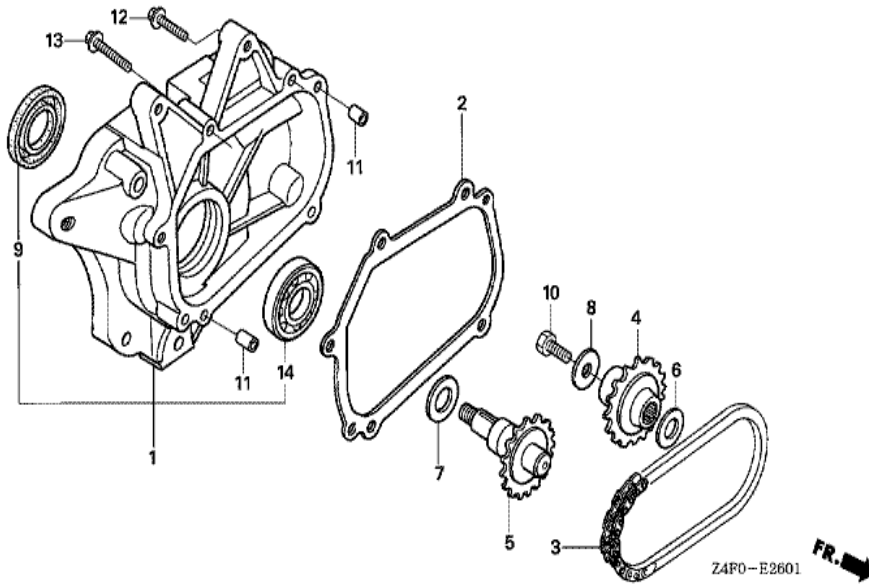
| Ref | Partnumber    | Description                 | GX120U1 | Serial Numbers |
|-----|---------------|-----------------------------|---------|----------------|
| 001 | 30500-ZE1-063 | COIL ASSY., IGNITION        | 1       | 1103327        |
| 001 | 30500-ZE1-073 | COIL ASSY., IGNITION        | 1       |                |
| 001 | 30500-ZE1-073 | COIL ASSY., IGNITION        | 1       | 1103328        |
| 004 | 30700-ZJ1-841 | CAP ASSY., NOISE SUPPRESSOR | 1       |                |
| 011 | 90121-952-000 | BOLT, FLANGE, 6X25 (CT200)  | 2       |                |



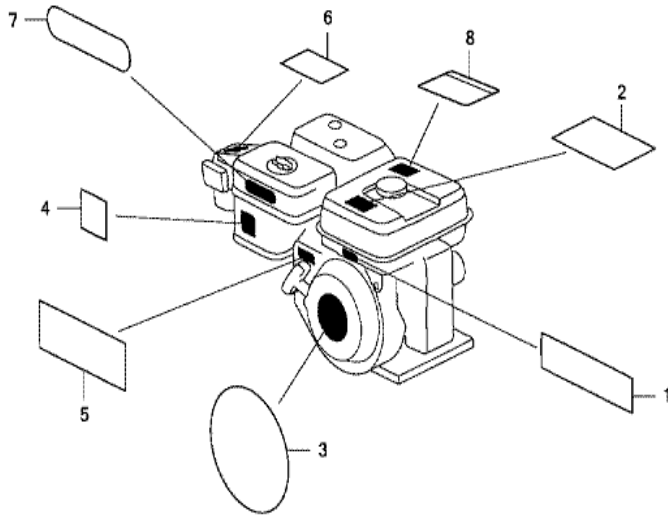
Z4P0-E2202

FR. →

| <u>Ref</u> | <u>Partnumber</u> | <u>Description</u>         | <u>GX120U1</u> | <u>Serial Numbers</u> |
|------------|-------------------|----------------------------|----------------|-----------------------|
| 001        | 16263-883-W10     | JOINT, ROD                 | 1              |                       |
| 002        | 16500-ZK7-S50     | CONTROL ASSY.              | 1              |                       |
| 003        | 16550-ZK7-S50     | ARM COMP., GOVERNOR        | 1              |                       |
| 004        | 16552-896-650     | COLLAR, LEVER              | 2              |                       |
| 005        | 16555-ZK7-S30     | ROD, GOVERNOR              | 1              |                       |
| 006        | 16561-ZK7-S50     | SPRING, GOVERNOR           | 1              |                       |
| 007        | 16562-ZE0-020     | SPRING, THROTTLE RETURN    | 1              |                       |
| 008        | 16570-ZK7-S50     | LEVER COMP., CONTROL       | 1              |                       |
| 009        | 16574-ZE1-000     | SPRING, LEVER              | 1              |                       |
| 010        | 16575-ZH8-000     | WASHER, CONTROL LEVER      | 1              |                       |
| 011        | 16576-891-000     | HOLDER, CABLE              | 1              |                       |
| 012        | 16578-ZE1-000     | SPACER, CONTROL LEVER      | 1              |                       |
| 013        | 16580-ZH7-810     | BASE COMP., CONTROL (###)  | 1              |                       |
| <u>Ref</u> | <u>Partnumber</u> | <u>Description</u>         | <u>GX120U1</u> | <u>Serial Numbers</u> |
| 014        | 16584-883-300     | SPRING, CONTROL ADJUSTING  | 1              |                       |
| 015        | 16592-ZE1-810     | SPRING, CABLE RETURN       | 1              |                       |
| 016        | 16594-883-010     | HOLDER, WIRE               | 1              |                       |
| 017        | 90013-883-000     | BOLT, FLANGE, 6X12 (CT200) | 1              |                       |
| 018        | 90015-ZE5-010     | BOLT, GOVERNOR ARM         | 1              |                       |
| 019        | 90022-888-010     | BOLT, FLANGE, 6X20 (CT200) | 1              |                       |
| 020        | 90114-SA0-000     | NUT, SELF-LOCK, 6MM        | 1              |                       |
| 021        | 90605-230-000     | CIRCLIP, 5MM               | 1              |                       |
| 022        | 93500-040060H     | SCREW, PAN, 4X6            | 1              |                       |
| 023        | 93500-050160A     | SCREW, PAN, 5X16           | 1              |                       |
| 024        | 93500-050250H     | SCREW, PAN, 5X25           | 1              |                       |
| 025        | 94050-06000       | NUT, FLANGE, 6MM           | 1              |                       |



| <u>Ref</u> | <u>Partnumber</u> | <u>Description</u>         | <u>GX120U1</u> | <u>Serial Numbers</u> |
|------------|-------------------|----------------------------|----------------|-----------------------|
| 001        | 11500-ZK7-V00     | COVER ASSY., CHAIN CASE    | 1              |                       |
| 002        | 11521-ZK7-V00     | PACKING, CHAIN CASE COVER  | 1              |                       |
| 003        | 14411-ZK7-V01     | CHAIN, P.T.O. DRIVE        | 1              |                       |
| 004        | 23121-ZK7-V00     | SPROCKET, DRIVE (17T)      | 1              |                       |
| 005        | 23151-ZK7-V00     | SHAFT, P.T.O. (16T)        | 1              |                       |
| 006        | 90454-428-000     | WASHER, THRUST, 20MM       | 1              |                       |
| 007        | 90456-ZE1-000     | SPRING, THRUST             | 1              |                       |
| 008        | 90471-ZE1-610     | WASHER, 8MM                | 1              |                       |
| 009        | 91252-888-003     | OIL SEAL, 25X38X7 (ARAI)   | 1              |                       |
| 010        | 92101-080250A     | BOLT, HEX., 8X25           | 1              |                       |
| 011        | 94303-08140       | DOWEL PIN, 8X14            | 2              |                       |
| 012        | 95701-0803500     | BOLT, FLANGE, 8X35         | 4              |                       |
| 013        | 95701-0805500     | BOLT, FLANGE, 8X55         | 1              |                       |
| <u>Ref</u> | <u>Partnumber</u> | <u>Description</u>         | <u>GX120U1</u> | <u>Serial Numbers</u> |
| 014        | 96100-6005000     | BEARING, RADIAL BALL, 6005 | 1              |                       |

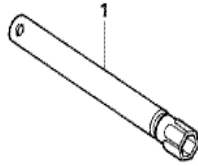


Z4F0E2800A

| Ref | Partnumber    | Description                               | GX120U1 | Serial Numbers |
|-----|---------------|---|---------|----------------|
| 002 | 87516-ZH7-810 | MARK, OPERATOR CAUTION (PICTOGRAPH) (MAD) | (1)     | 1203308        |
| 002 | 87516-ZH7-810 | MARK, OPERATOR CAUTION (PICTOGRAPH) (MAD) | (1)     | 1203308        |
| 003 | 87521-ZH7-030 | EMBLEM (4.0)                              | 1       | 1086134        |
| 003 | 87521-ZH7-040 | EMBLEM (GX120)                            | 1       |                |
| 003 | 87521-ZH7-040 | EMBLEM (GX120)                            | 1       | 1086135        |

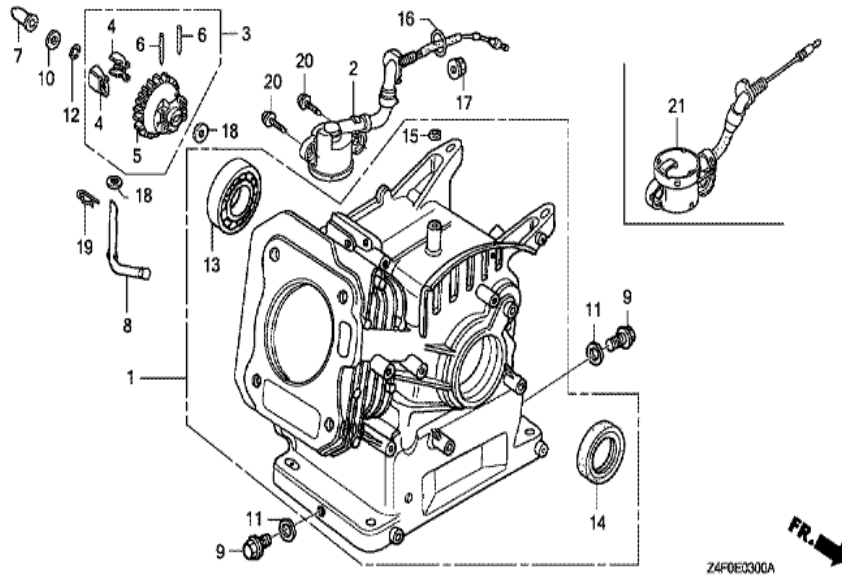
GX120U1(KRS5)

E-29 TOOL



Z4F0-E2900

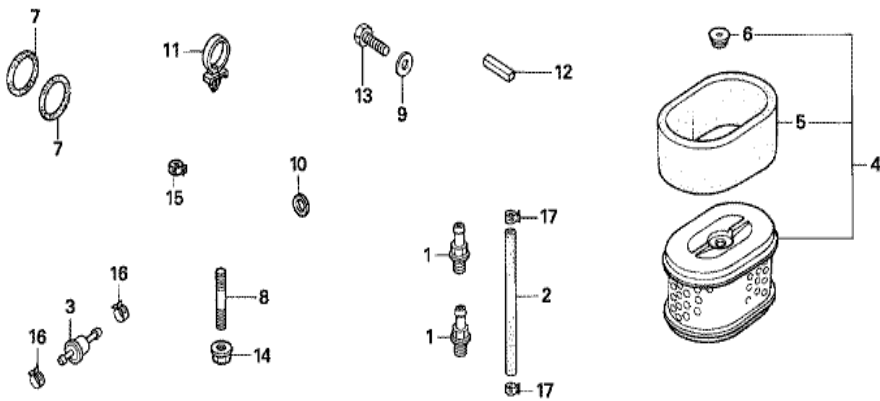
| <u>Ref</u> | <u>Partnumber</u> | <u>Description</u>       | <u>GX120U1</u> | <u>Serial Numbers</u> |
|------------|-------------------|--------------------------|----------------|-----------------------|
| 001        | 89218-ZE1-000     | WRENCH COMP., SPARK PLUG | 1              |                       |



Z4FOE0300A



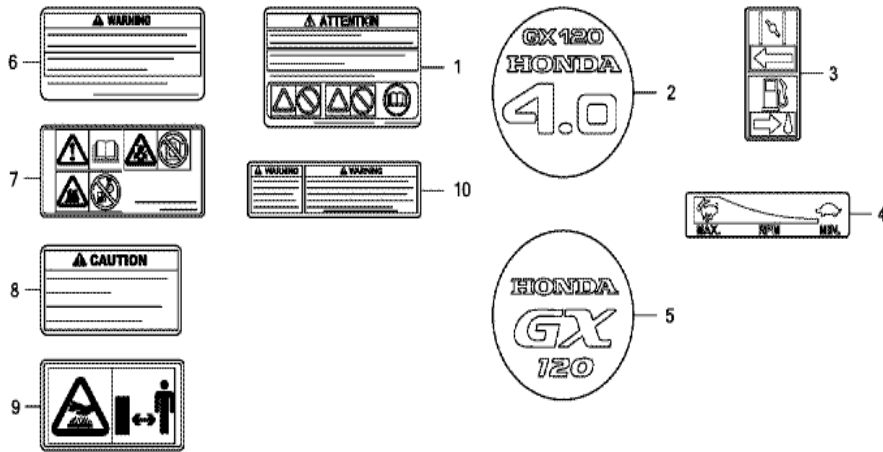
| <u>Ref</u> | <u>Partnumber</u> | <u>Description</u>         | <u>GX120U1</u> | <u>Serial Numbers</u> |
|------------|-------------------|----------------------------|----------------|-----------------------|
| 001        | 12000-ZK7-405     | BARREL ASSY., CYLINDER     | 1              |                       |
| 001        | 12000-ZK7-405     | BARREL ASSY., CYLINDER     | 1              |                       |
| 003        | 16510-ZE1-000     | GOVERNOR ASSY.             | 1              |                       |
| 004        | 16511-ZE1-000     | WEIGHT, GOVERNOR           | 2              |                       |
| 005        | 16512-ZE1-000     | HOLDER, GOVERNOR WEIGHT    | 1              |                       |
| 006        | 16513-ZE1-000     | PIN, GOVERNOR WEIGHT       | 2              |                       |
| 007        | 16531-ZE1-000     | SLIDER, GOVERNOR           | 1              |                       |
| 008        | 16541-ZE1-000     | SHAFT, GOVERNOR ARM        | 1              |                       |
| 009        | 90131-ZE1-000     | BOLT, DRAIN PLUG           | 2              |                       |
| 010        | 90451-ZE1-000     | WASHER, THRUST, 6MM        | 1              |                       |
| 011        | 90601-ZE1-000     | WASHER, DRAIN PLUG, 10.2MM | 2              |                       |
| 012        | 90602-ZE1-000     | CLIP, GOVERNOR HOLDER      | 1              |                       |
| 013        | 91001-878-003     | BEARING, RADIAL BALL,      | 1              |                       |
| <u>Ref</u> | <u>Partnumber</u> | <u>Description</u>         | <u>GX120U1</u> | <u>Serial Numbers</u> |
| 014        | 91202-ZE6-013     | OIL SEAL, 22X35X6          | 1              |                       |
| 015        | 91231-891-003     | OIL SEAL, 6X11X4 (ARAI)    | 1              |                       |
| 018        | 94101-06800       | WASHER, PLAIN, 6MM         | 2              |                       |
| 019        | 94251-08000       | PIN, LOCK, 8MM             | 1              |                       |



Z4F0-E4000

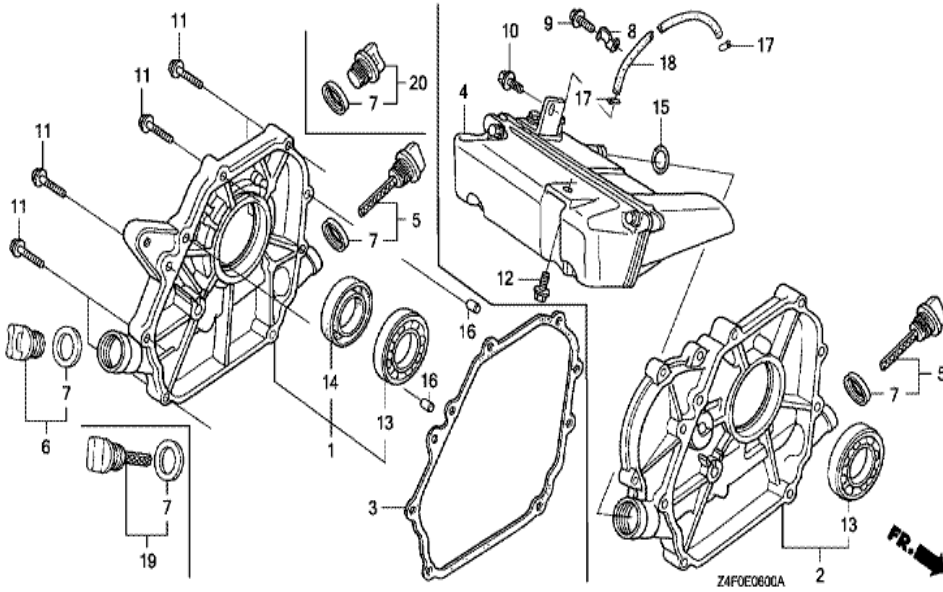
| Ref | Partnumber    | Description       | GX120U1 | Serial Numbers |
|-----|---------------|-------------------|---------|----------------|
| 008 | 90001-ZK7-V00 | BOLT, STUD, 10X32 | 3       |                |
| 008 | 90002-ZK7-V00 | BOLT, STUD, 10X60 | 1       |                |
| 008 | 90002-ZK7-V00 | BOLT, STUD, 10X60 | 1       |                |
| 014 | 94050-10000   | NUT, FLANGE, 10MM | 4       |                |
| 015 | 95002-4080008 | CLAMP, TUBE (D8)  | 1       |                |



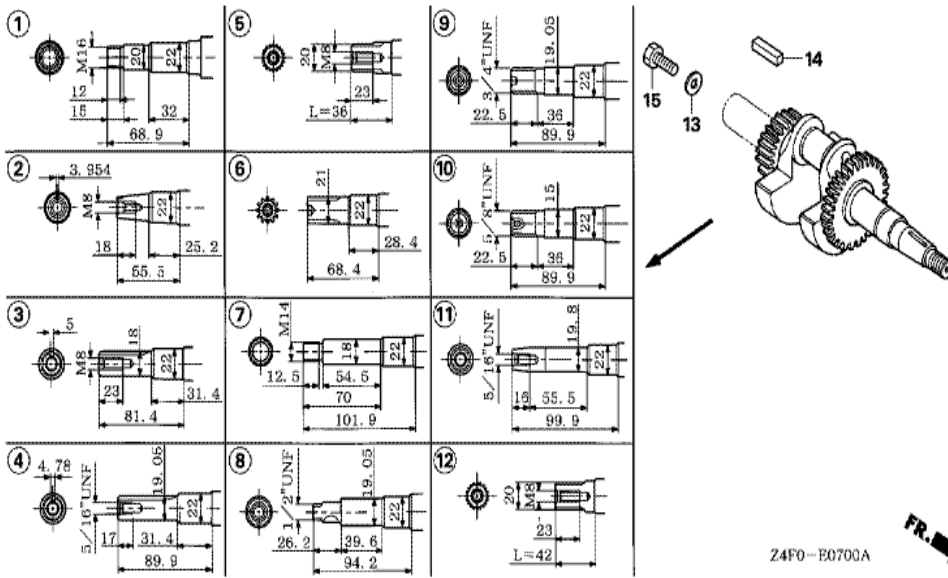


Z4F0E4003C

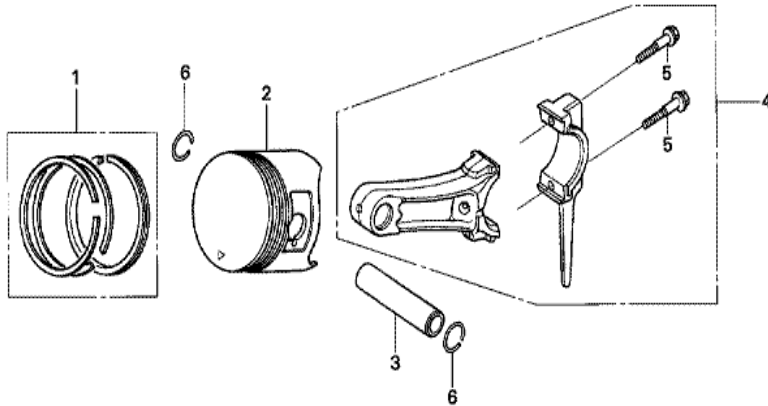
| Ref | Partnumber    | Description                              | GX120U1 | Serial Numbers |
|-----|---------------|--|---------|----------------|
| 001 | 87516-ZH7-000 | MARK, OPERATOR CAUTION (ENGLISH) (MADE I | 1       | 1203308        |
| 001 | 87516-ZH7-800 | MARK, OPERATOR CAUTION (FRENCH) (MADE IN | 1       |                |
| 001 | 87516-ZH7-800 | MARK, OPERATOR CAUTION (FRENCH) (MADE IN | 1       | 1203308        |
| 003 | 87528-ZH7-000 | MARK, CHOKE (GRAY)                       | 1       |                |
| 006 | 87516-ZH7-010 | MARK, OPERATOR CAUTION (ENGLISH) (MADE I | 1       |                |
| 006 | 87516-ZH7-010 | MARK, OPERATOR CAUTION (ENGLISH) (MADE I | 1       | 1203309        |
| 006 | 87516-ZH7-801 | MARK, OPERATOR CAUTION (FRENCH) (MADE IN | 1       |                |
| 006 | 87516-ZH7-801 | MARK, OPERATOR CAUTION (FRENCH) (MADE IN | 1       | 1203309        |
| 007 | 87519-ZH7-000 | MARK, OPERATOR CAUTION (PICTOGRAPH)      | 1       |                |
| 007 | 87519-ZH7-000 | MARK, OPERATOR CAUTION (PICTOGRAPH)      | 1       | 1203309        |



| <u>Ref</u> | <u>Partnumber</u> | <u>Description</u>              | <u>GX120U1</u> | <u>Serial Numbers</u> |
|------------|-------------------|---------------------------------|----------------|-----------------------|
| 002        | 11300-ZK7-V00     | COVER ASSY., CRANKCASE          | 1              |                       |
| 002        | 11300-ZK7-V00     | COVER ASSY., CRANKCASE          | 1              |                       |
| 003        | 11381-ZK7-V00     | PACKING, CASE COVER             | 1              |                       |
| 003        | 11381-ZK7-V00     | PACKING, CASE COVER             | 1              |                       |
| 004        | 15500-ZK7-V00     | TANK ASSY., OIL                 | 1              |                       |
| 005        | 15600-ZE1-003     | CAP ASSY., OIL FILLER (GRAY)    | 1              |                       |
| 007        | 15625-ZE1-003     | PACKING, OIL FILLER CAP         | 1              |                       |
| 010        | 90014-952-000     | BOLT, FLANGE, 6X14 (CT200)      | 1              |                       |
| 011        | 90015-883-000     | BOLT, FLANGE, 6X28 (CT200)      | 7              |                       |
| 012        | 90029-888-000     | BOLT, FLANGE, 6X16 (CT200)      | 1              |                       |
| 013        | 91001-878-003     | BEARING, RADIAL BALL,           | 1              |                       |
| 015        | 91304-MJ0-003     | O-RING, 15.8X2.4 (SHOWA)        | 1              |                       |
| 016        | 94303-08140       | DOWEL PIN, 8X14                 | 2              |                       |
| <u>Ref</u> | <u>Partnumber</u> | <u>Description</u>              | <u>GX120U1</u> | <u>Serial Numbers</u> |
| 016        | 94303-08140       | DOWEL PIN, 8X14                 | 2              |                       |
| 017        | 95002-02070       | CLIP, TUBE (B7)                 | 2              |                       |
| 018        | 95005-3515010     | TUBE, 3.5X150 (95005-35001-10M) | 1              |                       |



| Ref | Partnumber    | Description      | GX120U1 | Serial Numbers |
|-----|---------------|------------------|---------|----------------|
| 012 | 13310-ZK7-V00 | CRANKSHAFT COMP. | 1       |                |

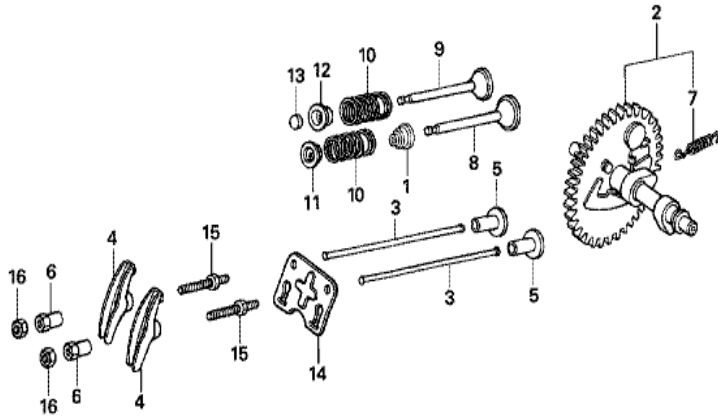


Z4FO-E0800



| Ref | Partnumber    | Description                       | GX120U1 | Serial Numbers |
|-----|---------------|-----------------------------------|---------|----------------|
| 001 | 13010-Z4F-004 | RING SET, PISTON (STD.) (TEIKOKU) | 1       | 1085093        |
| 001 | 13010-ZH7-003 | RING SET, PISTON (STD.) (TEIKOKU) | 1       | 1085092        |
| 001 | 13010-ZH7-003 | RING SET, PISTON (STD.) (TEIKOKU) | 1       | 1085092        |
| 001 | 13010-ZH7-004 | RING SET, PISTON (STD.) (NIPPON)  | 1       | 1085092        |
| 001 | 13010-ZH7-004 | RING SET, PISTON (STD.) (NIPPON)  | 1       | 1085092        |
| 001 | 13011-Z4F-004 | RING SET, PISTON (0.25) (TEIKOKU) | (1)     | 1085093        |
| 001 | 13011-Z4F-004 | RING SET, PISTON (0.25) (TEIKOKU) | (1)     | 1085093        |
| 001 | 13011-ZH7-003 | RING SET, PISTON (0.25) (TEIKOKU) | (1)     | 1085092        |
| 001 | 13011-ZH7-003 | RING SET, PISTON (0.25) (TEIKOKU) | (1)     | 1085092        |
| 001 | 13011-ZH7-004 | RING SET, PISTON (0.25) (NIPPON)  | (1)     | 1085092        |
| 001 | 13011-ZH7-004 | RING SET, PISTON (0.25) (NIPPON)  | (1)     | 1085092        |
| 001 | 13012-Z4F-004 | RING SET, PISTON (0.50) (TEIKOKU) | (1)     | 1085093        |
| 001 | 13012-Z4F-004 | RING SET, PISTON (0.50) (TEIKOKU) | (1)     | 1085093        |

| <u>Ref</u> | <u>Partnumber</u> | <u>Description</u>                | <u>GX120U1</u> | <u>Serial Numbers</u> |
|------------|-------------------|-----------------------------------|----------------|-----------------------|
| 001        | 13012-ZH7-003     | RING SET, PISTON (0.50) (TEIKOKU) | (1)            | 1085092               |
| 001        | 13012-ZH7-003     | RING SET, PISTON (0.50) (TEIKOKU) | (1)            | 1085092               |
| 001        | 13012-ZH7-004     | RING SET, PISTON (0.50) (NIPPON)  | (1)            | 1085092               |
| 001        | 13012-ZH7-004     | RING SET, PISTON (0.50) (NIPPON)  | (1)            | 1085092               |
| 001        | 13013-Z4F-004     | RING SET, PISTON (0.75) (TEIKOKU) | (1)            | 1085093               |
| 001        | 13013-Z4F-004     | RING SET, PISTON (0.75) (TEIKOKU) | (1)            | 1085093               |
| 001        | 13013-ZH7-003     | RING SET, PISTON (0.75) (TEIKOKU) | (1)            | 1085092               |
| 001        | 13013-ZH7-003     | RING SET, PISTON (0.75) (TEIKOKU) | (1)            | 1085092               |
| 001        | 13013-ZH7-004     | RING SET, PISTON (0.75) (NIPPON)  | (1)            | 1085092               |
| 001        | 13013-ZH7-004     | RING SET, PISTON (0.75) (NIPPON)  | (1)            | 1085092               |
| 002        | 13101-ZH7-010     | PISTON (STD.)                     | 1              | 1085092               |
| 002        | 13101-ZH7-020     | PISTON (STD.)                     | 1              |                       |
| 002        | 13101-ZH7-020     | PISTON (STD.)                     | 1              | 1085093               |
| 002        | 13102-ZH7-010     | PISTON (0.25)                     | (1)            | 1085092               |
| 002        | 13102-ZH7-010     | PISTON (0.25)                     | (1)            | 1085092               |
| 002        | 13102-ZH7-020     | PISTON (0.25)                     | (1)            | 1085093               |
| 002        | 13102-ZH7-020     | PISTON (0.25)                     | (1)            | 1085093               |
| 002        | 13103-ZH7-010     | PISTON (0.50)                     | (1)            | 1085092               |
| 002        | 13103-ZH7-010     | PISTON (0.50)                     | (1)            | 1085092               |
| 002        | 13103-ZH7-020     | PISTON (0.50)                     | (1)            | 1085093               |
| 002        | 13103-ZH7-020     | PISTON (0.50)                     | (1)            | 1085093               |
| 002        | 13104-ZH7-010     | PISTON (0.75)                     | (1)            | 1085092               |
| 002        | 13104-ZH7-010     | PISTON (0.75)                     | (1)            | 1085092               |
| 002        | 13104-ZH7-020     | PISTON (0.75)                     | (1)            | 1085093               |
| 002        | 13104-ZH7-020     | PISTON (0.75)                     | (1)            | 1085093               |
| 003        | 13111-ZE0-000     | PIN, PISTON                       | 1              |                       |
| 004        | 13200-ZE0-000     | ROD ASSY., CONNECTING             | 1              |                       |
| 005        | 90001-ZE1-000     | BOLT, CONNECTING ROD              | 2              |                       |
| 006        | 90551-ZE0-000     | CLIP, PISTON PIN, 13MM            | 2              |                       |



Z4F0--E0900



| <u>Ref</u> | <u>Partnumber</u> | <u>Description</u>         | <u>GX120U1</u> | <u>Serial Numbers</u> |
|------------|-------------------|----------------------------|----------------|-----------------------|
| 001        | 12209-ZH8-003     | SEAL, VALVE STEM           | 1              |                       |
| 002        | 14100-ZH7-B20     | CAMSHAFT ASSY.             | 1              |                       |
| 002        | 14100-ZH7-B20     | CAMSHAFT ASSY.             | 1              |                       |
| 003        | 14410-ZE0-010     | ROD, PUSH                  | 2              |                       |
| 004        | 14431-ZE1-000     | ARM, VALVE ROCKER          | 2              |                       |
| 005        | 14441-ZE1-010     | LIFTER, VALVE              | 2              |                       |
| 006        | 14451-ZE1-013     | PIVOT, ROCKER ARM          | 2              |                       |
| 007        | 14568-ZE1-000     | SPRING, WEIGHT RETURN      | 1              |                       |
| 008        | 14711-ZF0-010     | VALVE, IN.                 | 1              |                       |
| 009        | 14721-ZF0-000     | VALVE, EX.                 | 1              |                       |
| 010        | 14751-ZF1-000     | SPRING, VALVE              | 2              |                       |
| 011        | 14771-ZE1-000     | RETAINER, IN. VALVE SPRING | 1              |                       |
| 012        | 14773-ZE1-000     | RETAINER, EX. VALVE SPRING | 1              |                       |
| <u>Ref</u> | <u>Partnumber</u> | <u>Description</u>         | <u>GX120U1</u> | <u>Serial Numbers</u> |
| 013        | 14781-ZE1-000     | ROTATOR, VALVE             | 1              |                       |
| 014        | 14791-ZE0-010     | PLATE, PUSH ROD GUIDE      | 1              |                       |
| 015        | 90012-ZE0-010     | BOLT, PIVOT, 8MM           | 2              |                       |
| 016        | 90206-ZE1-000     | NUT, PIVOT ADJUSTING       | 2              |                       |