

<u>Ref</u>	<u>Partnumber</u>	<u>Description</u>	<u>GX120K1</u>	<u>Serial Numbers</u>
001	28400-ZH8-013YA	STARTER ASSY., RECOIL *R280 *	1	4142274
001	28400-ZH8-013ZA	STARTER ASSY., RECOIL *R8 *	1	4142273
001	28400-ZH8-013ZA	STARTER ASSY., RECOIL *R8 *	1	4142273
001	28400-ZH8-013ZB	STARTER ASSY., RECOIL *NH1 *	1	
001	28400-ZH8-013ZB	STARTER ASSY., RECOIL *NH1 *	1	
002	28410-ZH8-003YA	CASE COMP., RECOIL STARTER *R280 *	1	4142274
002	28410-ZH8-003ZA	CASE COMP., RECOIL STARTER *R8 *	1	4142273
002	28410-ZH8-003ZA	CASE COMP., RECOIL STARTER *R8 *	1	4142273
002	28410-ZH8-003ZB	CASE COMP., RECOIL STARTER *NH1 *	1	
002	28410-ZH8-003ZB	CASE COMP., RECOIL STARTER *NH1 *	1	
003	28420-ZH8-013	REEL, RECOIL STARTER (NATURAL)	1	2169650
003	28420-ZH8-013	REEL, RECOIL STARTER (NATURAL)	1	
004	28422-ZH8-013	RATCHET, STARTER	2	2169650
<u>Ref</u>	<u>Partnumber</u>	<u>Description</u>	<u>GX120K1</u>	<u>Serial Numbers</u>
004	28422-ZH8-013	RATCHET, STARTER	2	
005	28433-ZH8-003	GUIDE, RATCHET	1	
006	28441-ZH8-003	SPRING, FRICTION	1	
007	28442-ZH8-003	SPRING, RECOIL STARTER	1	
008	28443-ZH8-003	SPRING, RETURN	2	
009	28461-ZH8-003	GRIP, STARTER	1	
010	28462-ZH8-003	ROPE, RECOIL STARTER	1	
012	90003-ZH8-003	SCREW, SETTING	1	
013	90008-ZE2-003	BOLT, FLANGE, 6X10	3	
013	90008-ZE2-003	BOLT, FLANGE, 6X10	(3)	



ZH70-E1200B

<u>Ref</u>	<u>Partnumber</u>	<u>Description</u>	<u>GX120K1</u>	<u>Serial Numbers</u>
001	11347-371-300	GROMMET, ADJUSTING COVER	1	
004	19610-ZE0-000ZA	COVER COMP., FAN *R8 *	1	4142673
004	19610-ZE0-000ZA	COVER COMP., FAN *R8 *	1	4142673
004	19610-ZE0-000ZE	COVER COMP., FAN *NH1 *	1	
004	19610-ZE0-000ZE	COVER COMP., FAN *NH1 *	1	
004	19610-ZE0-000ZS	COVER COMP., FAN *R280 *	1	4142674
004	19610-ZE0-000ZS	COVER COMP., FAN *R280 *	1	4142674
006	19612-ZH7-000	PLATE, SIDE (STD.)	(1)	
006	19612-ZH7-000	PLATE, SIDE (STD.)	1	
009	19630-ZH7-000	SHROUD COMP.	1	
011	36100-ZE1-015	SWITCH ASSY., ENGINE STOP	1	2867760
011	36100-ZE1-015	SWITCH ASSY., ENGINE STOP	1	
012	36101-ZE1-010	CORD, STOP SWITCH (370MM)	1	
<u>Ref</u>	<u>Partnumber</u>	<u>Description</u>	<u>GX120K1</u>	<u>Serial Numbers</u>
014	90013-883-000	BOLT, FLANGE, 6X12 (CT200)	4	
014	90013-883-000	BOLT, FLANGE, 6X12 (CT200)	6	
015	90022-888-010	BOLT, FLANGE, 6X20 (CT200)	1	

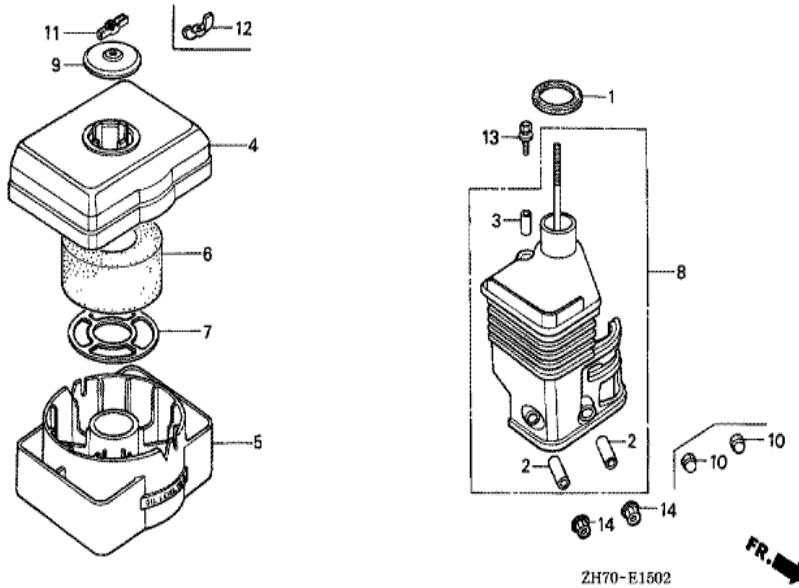


ZH7OE1401B

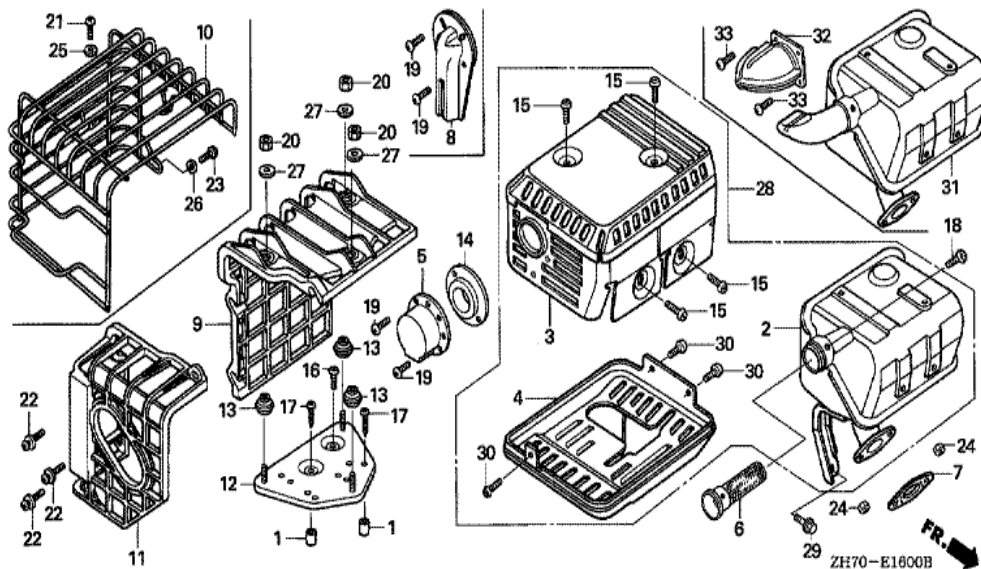
FR. →

Ref	Partnumber	Description	GX120K1	Serial Numbers
002	16010-ZE1-812	GASKET SET	(1)	
002	16010-ZE1-812	GASKET SET	1	
003	16011-ZE0-005	VALVE SET, FLOAT	1	
004	16013-ZE0-005	FLOAT SET	1	
005	16015-ZE0-831	CHAMBER SET, FLOAT	1	BE12A B
005	16015-ZE0-831	CHAMBER SET, FLOAT	1	BE60C B
005	16015-ZE1-811	CHAMBER SET, FLOAT	1	BE60B A
005	16015-ZE1-811	CHAMBER SET, FLOAT	1	BE13A A
005	16015-ZE1-811	CHAMBER SET, FLOAT	1	BE60C A
007	16024-ZE1-811	SCREW SET, DRAIN	1	
008	16028-ZE0-005	SCREW SET	1	
009	16044-ZE0-005	CHOKE SET	1	
010	16100-ZH7-W60	CARBURETOR ASSY. (BE60C A)	1	2737528

<u>Ref</u>	<u>Partnumber</u>	<u>Description</u>	<u>GX120K1</u>	<u>Serial Numbers</u>
010	16100-ZH7-W60	CARBURETOR ASSY. (BE60C A)	1	2737528
010	16100-ZH7-W61	CARBURETOR ASSY. (BE60C B)	1	3491425
010	16100-ZH7-W61	CARBURETOR ASSY. (BE60C B)	1	2737529
011	16124-ZE0-005	SCREW, THROTTLE STOP	1	
012	16166-ZH7-W50	NOZZLE, MAIN	1	BE12A B
012	16166-ZH7-W50	NOZZLE, MAIN	1	
013	16173-001-004	PACKING, FUEL STRAINER CUP	1	
014	16211-ZE0-000	INSULATOR, CARBURETOR	1	
015	16212-ZH7-800	PACKING, INSULATOR	1	
015	16212-ZH7-800	PACKING, INSULATOR	1	
016	16220-ZE1-020	SPACER COMP., CARBURETOR	1	
016	16220-ZE1-020	SPACER COMP., CARBURETOR	1	
017	16221-ZH8-800	PACKING, CARBURETOR	(1)	2533057
017	16221-ZH8-800	PACKING, CARBURETOR	1	2539585
017	16221-ZH8-801	PACKING, CARBURETOR	1	2534177
017	16221-ZH8-801	PACKING, CARBURETOR	1	2539586
020	16610-ZE1-000	LEVER COMP., CHOKE (STD.)	(1)	
020	16610-ZE1-000	LEVER COMP., CHOKE (STD.)	1	
024	16953-ZE1-812	LEVER, COCK	1	
025	16954-ZE1-811	PLATE, LEVER SETTING	1	BE12A B
025	16954-ZE1-811	PLATE, LEVER SETTING	1	BE60C A
025	16954-ZE1-812	PLATE, LEVER SETTING	1	BE12A C
025	16954-ZE1-812	PLATE, LEVER SETTING	1	BE60C B
026	16956-ZE1-811	SPRING, COCK LEVER	1	
027	16957-ZE1-812	PACKING, FUEL COCK	1	
028	16967-ZE0-811	CUP, FUEL STRAINER	1	
030	93500-030061H	SCREW, PAN, 3X6	2	BE12A B
030	93500-030061H	SCREW, PAN, 3X6	2	BE60C B
030	93500-030081G	SCREW, PAN, 3X8	2	BE60B A
030	93500-030081G	SCREW, PAN, 3X8	2	BE60C A
033	94305-20122	PIN, SPRING, 2X12	1	
034	99101-ZH80580	JET, MAIN, #58	(1)	
034	99101-ZH80580	JET, MAIN, #58	(1)	
<u>Ref</u>	<u>Partnumber</u>	<u>Description</u>	<u>GX120K1</u>	<u>Serial Numbers</u>
034	99101-ZH80600	JET, MAIN, #60	1	BE12A B
034	99101-ZH80600	JET, MAIN, #60	(1)	
034	99101-ZH80620	JET, MAIN, #62	1	
034	99101-ZH80620	JET, MAIN, #62	1	
035	99204-ZE00350	JET SET, PILOT, #35	1	
036	16016-ZH7-W01	SCREW SET, PILOT	1	



Ref	Partnumber	Description	GX120K1	Serial Numbers	
001	16271-ZE1-000	PACKING, ELBOW	1		
002	17238-ZE0-010	COLLAR, AIR CLEANER	2		
003	17239-ZE1-000	COLLAR B, AIR CLEANER	1		
004	17401-ZE1-810	BODY, CLEANER (OIL BATH)	1		
005	17402-ZE1-810	PAN, CLEANER OIL (OIL BATH)	1		
006	17403-ZE1-810	ELEMENT, AIR CLEANER (OIL BATH)	1		
007	17404-841-000	GRID, AIR CLEANER	1		
008	17410-ZE0-811	ELBOW COMP., AIR CLEANER	1		
009	17421-ZE1-000	CAP, CLEANER	1		
010	90201-415-000	NUT, CAP, 6MM	2		2299856
011	90203-ZA0-800	NUT, WING, 6MM (BLACK)	1	2185870	3228266
011	90203-ZA0-800	NUT, WING, 6MM (BLACK)	1		
013	93404-0602008	BOLT-WASHER, 6X20	1		2519854
<u>Ref</u>	<u>Partnumber</u>	<u>Description</u>	<u>GX120K1</u>	<u>Serial Numbers</u>	
013	93404-0602008	BOLT-WASHER, 6X20	1		2519854
013	95701-0602000	BOLT, FLANGE, 6X20	1		
013	95701-0602000	BOLT, FLANGE, 6X20	1	2519855	
014	94050-06000	NUT, FLANGE, 6MM	2		
014	94050-06000	NUT, FLANGE, 6MM	2	2299857	



Ref	Partnumber	Description	GX120K1	Serial Numbers
002	18310-ZH8-810	MUFFLER COMP. (ARRESTER)	1	
002	18310-ZH8-810	MUFFLER COMP. (ARRESTER)	1	
003	18320-ZF1-H00	PROTECTOR, MUFFLER (STD.)	1	2029905 2470940
003	18320-ZF1-H00	PROTECTOR, MUFFLER (STD.)	1	2470940
003	18320-ZF1-H01	PROTECTOR, MUFFLER (STD.) (BLACK)	1	2470941
003	18320-ZF1-H01	PROTECTOR, MUFFLER (STD.) (BLACK)	1	2470941
005	18340-ZE1-010	DEFLECTOR COMP.	1	
006	18355-ZE1-000	ARRESTER, SPARK	1	
007	18381-ZH8-800	GASKET, MUFFLER	1	2157160
007	18381-ZH8-800	GASKET, MUFFLER	1	
014	18522-ZE1-000	GUIDE, MUFFLER	1	
015	90050-ZE1-000	SCREW, TAPPING, 5X8	4	
018	90055-ZE1-000	SCREW, TAPPING, 4X6	1	
<u>Ref</u>	<u>Partnumber</u>	<u>Description</u>	<u>GX120K1</u>	<u>Serial Numbers</u>
019	90002-ZG0-003	SCREW, TAPPING, 4X8	2	2249341
019	90002-ZG0-003	SCREW, TAPPING, 4X8	2	2288496
019	90055-ZE1-000	SCREW, TAPPING, 4X6	2	
019	90055-ZE1-000	SCREW, TAPPING, 4X6	2	2288495
024	94001-080000S	NUT, HEX., 8MM	2	
024	94001-080000S	NUT, HEX., 8MM	2	



Ref	Partnumber	Description	GX120K1	Serial Numbers
001	16854-ZH8-000	RUBBER, SUPPORTER (107MM)	1	
009	16955-ZE1-000	JOINT, FUEL TANK	1	
012	17510-ZE0-020ZA	TANK COMP., FUEL *NH31 *	1	
012	17510-ZE0-020ZD	TANK COMP., FUEL *NH1 *	1	
012	17510-ZE0-020ZD	TANK COMP., FUEL *NH1 *	1	
014	17620-ZE2-W00	CAP COMP., FUEL FILLER (CHROME PLATED)	(1)	2421922
014	17620-ZE2-W00	CAP COMP., FUEL FILLER (CHROME PLATED)	1	2421922
015	17620-ZH7-013	CAP COMP., FUEL FILLER	1	3053130
015	17620-ZH7-013	CAP COMP., FUEL FILLER	1	2421923 3053130
015	17620-ZH7-023	CAP COMP., FUEL FILLER (BLACK)	1	3053131 4203082
015	17620-ZH7-023	CAP COMP., FUEL FILLER (BLACK)	1	3053131 4203082
016	17631-329-003	PACKING, FUEL FILLER CAP (39X58X3)	1	
016	17631-329-003	PACKING, FUEL FILLER CAP (39X58X3)	1	2421922
<u>Ref</u>	<u>Partnumber</u>	<u>Description</u>	<u>GX120K1</u>	<u>Serial Numbers</u>
016	17631-ZH7-003	PACKING, FUEL FILLER CAP (39X58X3)	1	2421923 4203082
016	17631-ZH7-003	PACKING, FUEL FILLER CAP (39X58X3)	1	2421923 4203082
017	17672-ZE2-W01	FILTER, FUEL	1	2328483
017	17672-ZE2-W01	FILTER, FUEL	1	2328483
018	17672-880-000	FILTER, FUEL	1	2328482
019	17673-893-000	HOLDER, FUEL FILTER	1	
019	17673-893-000	HOLDER, FUEL FILTER	1	2328482
024	91353-671-004	O-RING, 14MM (NOK)	1	
025	94050-06000	NUT, FLANGE, 6MM	2	
031	95001-4514040	TUBE, FUEL, 4.5X140 (95001-45001-60M)	1	
032	95002-02080	CLIP, TUBE (B8)	1	
032	95002-02080	CLIP, TUBE (B8)	2	
035	95701-0602500	BOLT, FLANGE, 6X25	1	
035	95701-0602500	BOLT, FLANGE, 6X25	1	
043	17620-Z0T-814	CAP COMP., FUEL FILLER (CHROME PLATED) (1	4203083
043	17620-Z0T-814	CAP COMP., FUEL FILLER (CHROME PLATED) (1	4203083 4203082
044	17631-Z0T-812	PACKING, FUEL FILLER CAP (39X62X3) (TOUY	1	4203083
044	17631-Z0T-812	PACKING, FUEL FILLER CAP (39X62X3) (TOUY	(1)	4203083



Ref	Partnumber	Description	GX120K1	Serial Numbers
001	13331-357-000	KEY, SPECIAL WOODRUFF, 25X18	1	
002	19511-ZE0-000	FAN, COOLING	1	
003	28450-ZH7-811	PULLEY COMP., STARTER	1	
005	31100-ZE0-010	FLYWHEEL COMP.	(1)	
005	31100-ZE0-010	FLYWHEEL COMP.	1	
007	90201-878-003	NUT, SPECIAL, 14MM	1	

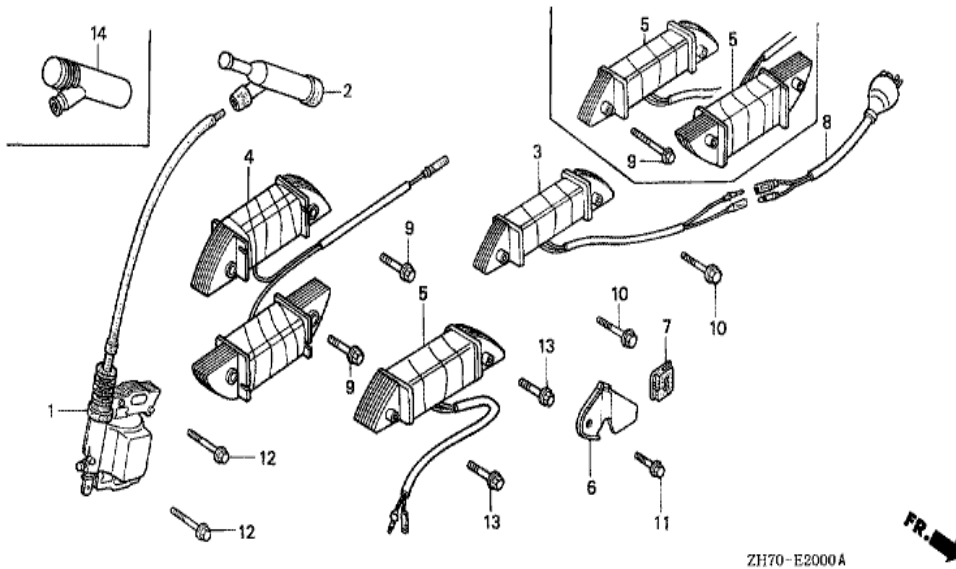


ZH70-B0200



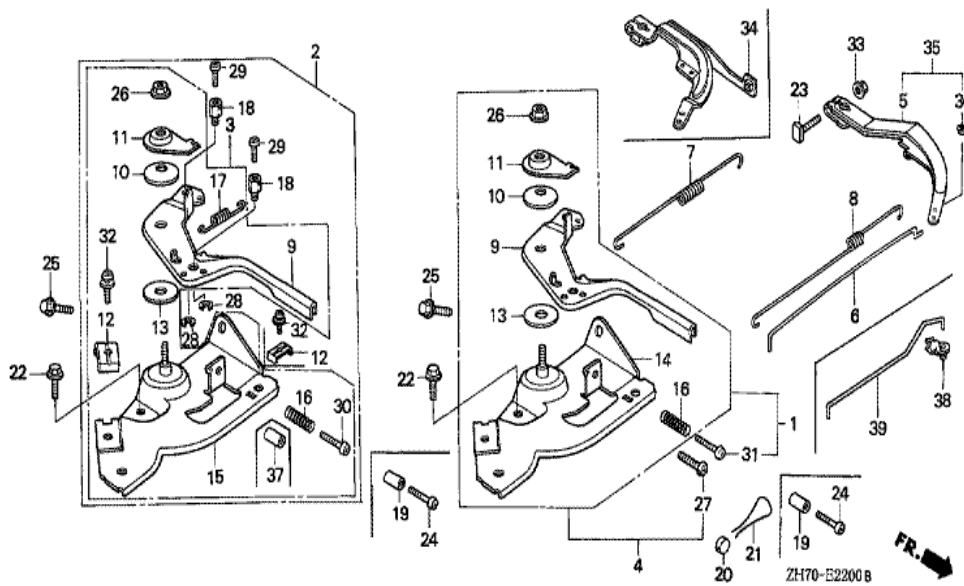
Ref	Partnumber	Description	GX120K1	Serial Numbers
001	12210-ZH7-405	HEAD COMP., CYLINDER	1	
001	12210-ZH7-405	HEAD COMP., CYLINDER	1	
002	12204-ZE1-306	GUIDE, IN. VALVE (OS)	(1)	2156735
002	12204-ZE1-306	GUIDE, IN. VALVE (OS)	(1)	
003	12205-ZE1-315	GUIDE, EX. VALVE (OS)	(1)	
004	12216-ZE5-300	CLIP, VALVE GUIDE	1	
005	12251-ZH7-800	GASKET, CYLINDER HEAD	1	2157160
005	12251-ZH7-800	GASKET, CYLINDER HEAD	1	
006	12310-ZE1-000	COVER COMP., HEAD	1	
006	12310-ZE1-000	COVER COMP., HEAD	1	2539585
006	12310-ZE1-010	COVER COMP., HEAD	1	2533058
006	12310-ZE1-010	COVER COMP., HEAD	1	2539586
006	12310-ZE1-020	COVER COMP., HEAD	1	3909675

<u>Ref</u>	<u>Partnumber</u>	<u>Description</u>	<u>GX120K1</u>	<u>Serial Numbers</u>
006	12310-ZE1-020	COVER COMP., HEAD	1	3909675
007	12391-ZE1-000	PACKING, HEAD COVER	1	
008	15721-ZH8-000	TUBE, BREATHER	1	
008	15721-ZH8-000	TUBE, BREATHER	1	
009	90013-883-000	BOLT, FLANGE, 6X12 (CT200)	4	2299857
009	90016-ZE1-000	BOLT, FLANGE, 6X13 (CT200)	4	2299856
009	90016-ZE1-000	BOLT, FLANGE, 6X13 (CT200)	4	2299856
010	90043-ZE1-010	BOLT, STUD, 6X109	2	2400125
010	90043-ZE1-010	BOLT, STUD, 6X109	2	2402519
010	90043-ZE1-020	BOLT, STUD, 6X112	2	2400126
010	90043-ZE1-020	BOLT, STUD, 6X112	2	2402520
011	90047-ZE1-000	BOLT, STUD, 8X32	2	
012	94301-10160	DOWEL PIN, 10X16	2	
014	95723-0805500	BOLT, FLANGE, 8X55	4	
015	98079-55846	PLUG, SPARK (BPR5ES) (NGK)	(1)	
015	98079-55846	PLUG, SPARK (BPR5ES) (NGK)	(1)	
015	98079-55855	PLUG, SPARK (W16EPR-U) (DENSO)	(1)	
015	98079-55855	PLUG, SPARK (W16EPR-U) (DENSO)	(1)	
015	98079-56846	PLUG, SPARK (BPR6ES) (NGK)	1	3491425
015	98079-56846	PLUG, SPARK (BPR6ES) (NGK)	1	
015	98079-56855	PLUG, SPARK (W20EPR-U) (DENSO)	(1)	
015	98079-56855	PLUG, SPARK (W20EPR-U) (DENSO)	1	



ZH70-E2000A

Ref	Partnumber	Description	GX120K1	Serial Numbers
001	30500-ZE1-023	COIL ASSY., IGNITION	1	2400125
001	30500-ZE1-023	COIL ASSY., IGNITION	1	2402519
001	30500-ZE1-033	COIL ASSY., IGNITION	1	2400126
001	30500-ZE1-033	COIL ASSY., IGNITION	1	2402520
002	30700-ZE1-013	CAP ASSY., NOISE SUPPRESSOR (NICHIIWA Y-E	1	3491425
002	30700-ZE1-013	CAP ASSY., NOISE SUPPRESSOR (NICHIIWA Y-E	1	
012	90121-952-000	BOLT, FLANGE, 6X25 (CT200)	2	

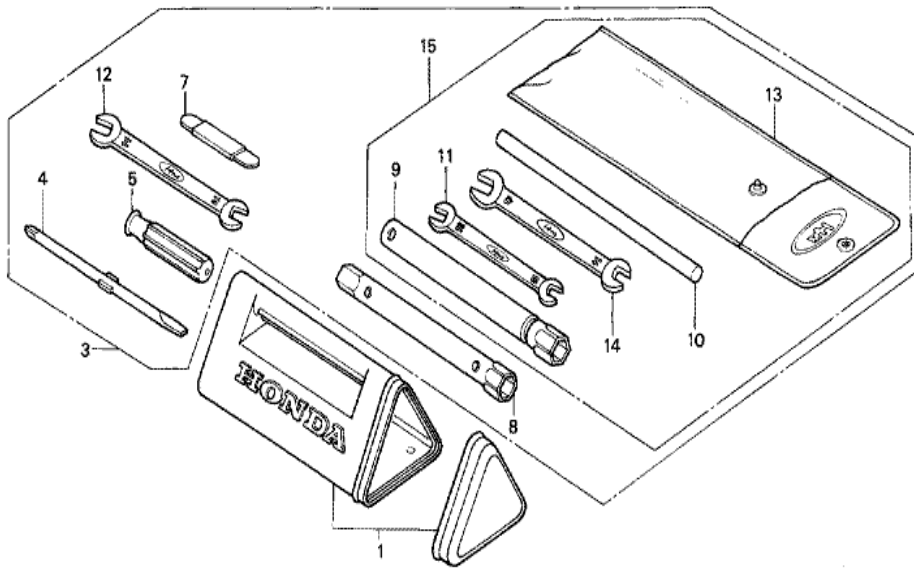


Ref	Partnumber	Description	GX120K1	Serial Numbers
003	16500-ZH7-820	CONTROL ASSY. (REMOTE)	1	
005	16551-ZE0-010	ARM, GOVERNOR	1	
006	16555-ZE0-000	ROD, GOVERNOR	1	
007	16561-ZE0-020	SPRING, GOVERNOR	1	
008	16562-ZE0-020	SPRING, THROTTLE RETURN	1	
009	16571-ZH7-000	LEVER, CONTROL	(1)	
009	16571-ZH7-000	LEVER, CONTROL	1	
010	16574-ZE1-000	SPRING, LEVER	1	
011	16575-ZH8-000	WASHER, CONTROL LEVER	1	
012	16576-891-000	HOLDER, CABLE	1	
013	16578-ZE1-000	SPACER, CONTROL LEVER	1	
015	16580-ZH7-810	BASE COMP., CONTROL (###)	1	
015	16580-ZH7-810	BASE COMP., CONTROL (###)	1	3303356
Ref	Partnumber	Description	GX120K1	Serial Numbers
016	16584-883-300	SPRING, CONTROL ADJUSTING	1	
017	16592-ZE1-810	SPRING, CABLE RETURN	1	
022	90013-883-000	BOLT, FLANGE, 6X12 (CT200)	1	
023	90015-ZE5-010	BOLT, GOVERNOR ARM	1	
025	90022-888-010	BOLT, FLANGE, 6X20 (CT200)	1	
026	90114-SA0-000	NUT, SELF-LOCK, 6MM	1	
030	93500-050250H	SCREW, PAN, 5X25	(1)	
030	93500-050250H	SCREW, PAN, 5X25	1	
032	93500-050160A	SCREW, PAN, 5X16	1	2308557
032	93893-0501600	SCREW-WASHER, 5X16	1	2311704
032	93893-0501600	SCREW-WASHER, 5X16	1	2308556
033	94050-06000	NUT, FLANGE, 6MM	1	



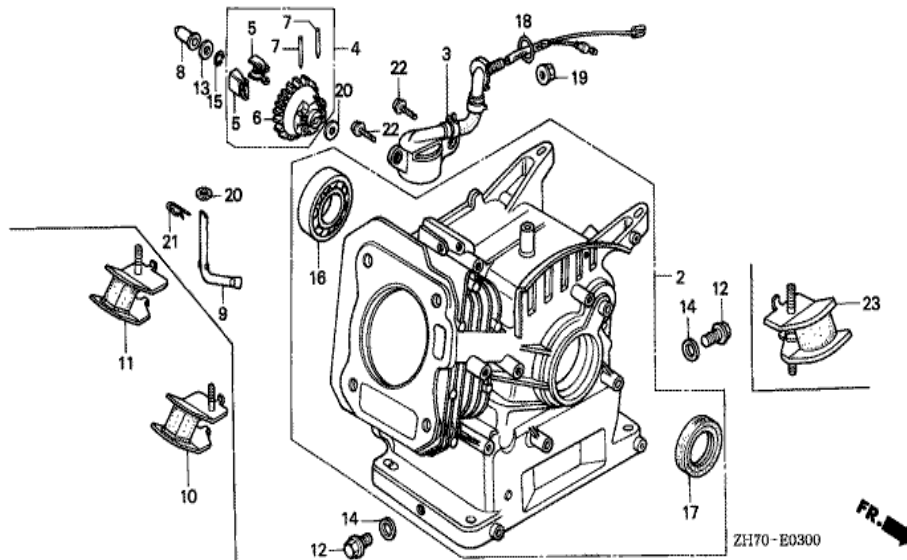
ZH70E2800E

<u>Ref</u>	<u>Partnumber</u>	<u>Description</u>	<u>GX120K1</u>	<u>Serial Numbers</u>	
001	87522-ZH9-010	LABEL, CAUTION (ENGLISH, ETC.)	(1)		
001	87522-ZH9-010	LABEL, CAUTION (ENGLISH, ETC.)	1		
002	87521-ZH7-010	EMBLEM	1	2185870	3841370
002	87521-ZH7-010	EMBLEM	1		3841370
002	87521-ZH7-020	EMBLEM (4.0)	1	3841371	4142243
002	87521-ZH7-020	EMBLEM (4.0)	1	3841371	4142243
002	87521-ZH7-030	EMBLEM (4.0)	1	4142244	
002	87521-ZH7-030	EMBLEM (4.0)	1	4142244	
003	87522-ZE1-810	MARK, CAUTION	1		2421922
003	87522-ZE1-810	MARK, CAUTION	1		2421922
005	87528-ZE1-810	MARK, CHOKE	(1)		
005	87528-ZE1-810	MARK, CHOKE	1		
014	87530-ZH7-810	LABEL, SPECIFICATION (EXTERNAL)	(1)		2299936
<u>Ref</u>	<u>Partnumber</u>	<u>Description</u>	<u>GX120K1</u>	<u>Serial Numbers</u>	
014	87530-ZH7-810	LABEL, SPECIFICATION (EXTERNAL)	1		2299936
029	87586-ZH7-W00	LABEL, FUEL CAUTION	1		2292416

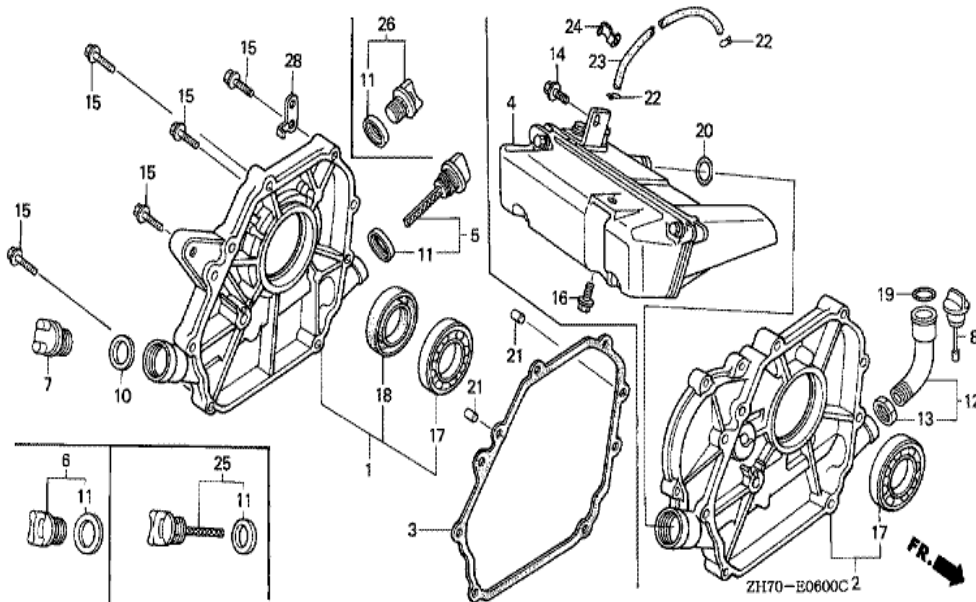


ZH70-E2901

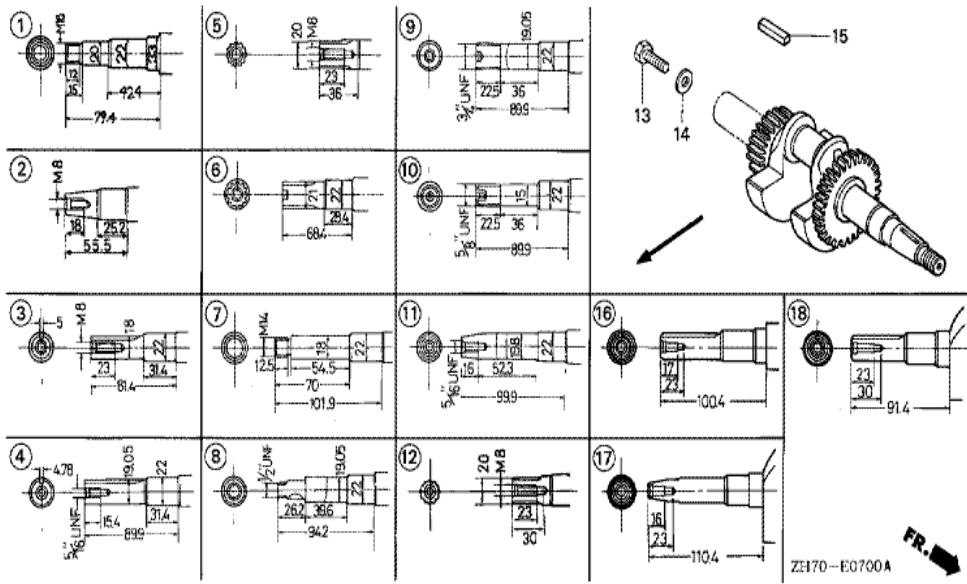
Ref	Partnumber	Description	GX120K1	Serial Numbers
009	89218-ZE1-000	WRENCH COMP., SPARK PLUG	1	



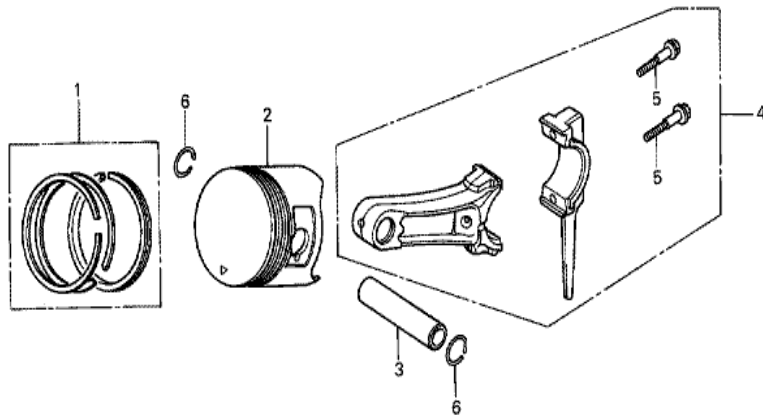
<u>Ref</u>	<u>Partnumber</u>	<u>Description</u>	<u>GX120K1</u>	<u>Serial Numbers</u>
002	12000-ZF0-415	BARREL ASSY., CYLINDER	(1)	4205163
002	12000-ZF0-415	BARREL ASSY., CYLINDER	1	4205163
002	12000-ZF0-425	BARREL ASSY., CYLINDER	1	4205164
002	12000-ZF0-425	BARREL ASSY., CYLINDER	1	4205164
004	16510-ZE1-000	GOVERNOR ASSY.	1	
005	16511-ZE1-000	WEIGHT, GOVERNOR	2	
006	16512-ZE1-000	HOLDER, GOVERNOR WEIGHT	1	
007	16513-ZE1-000	PIN, GOVERNOR WEIGHT	2	
008	16531-ZE1-000	SLIDER, GOVERNOR	1	
009	16541-ZE1-000	SHAFT, GOVERNOR ARM	1	
012	90131-ZE1-000	BOLT, DRAIN PLUG	2	
013	90451-ZE1-000	WASHER, THRUST, 6MM	1	
014	90601-ZE1-000	WASHER, DRAIN PLUG, 10.2MM	2	
<u>Ref</u>	<u>Partnumber</u>	<u>Description</u>	<u>GX120K1</u>	<u>Serial Numbers</u>
015	90602-ZE1-000	CLIP, GOVERNOR HOLDER	1	
016	91001-878-003	BEARING, RADIAL BALL,	1	
017	91202-ZE6-003	OIL SEAL, 22X35X6	1	
017	91202-ZE6-003	OIL SEAL, 22X35X6	1	4205163
017	91202-ZE6-013	OIL SEAL, 22X35X6	1	4205164
017	91202-ZE6-013	OIL SEAL, 22X35X6	1	4205164
020	94101-06800	WASHER, PLAIN, 6MM	2	
021	94251-08000	PIN, LOCK, 8MM	1	



<u>Ref</u>	<u>Partnumber</u>	<u>Description</u>	<u>GX120K1</u>	<u>Serial Numbers</u>
001	11300-ZE0-640	COVER ASSY., CRANKCASE	1	4228308
001	11300-ZE0-640	COVER ASSY., CRANKCASE	1	4228308
001	11300-ZE0-641	COVER ASSY., CRANKCASE	1	4228309
001	11300-ZE0-641	COVER ASSY., CRANKCASE	1	4228309
003	11381-ZH7-800	PACKING, CASE COVER	1	2272435
003	11381-ZH7-800	PACKING, CASE COVER	1	
005	15600-ZE1-000	CAP ASSY., OIL FILLER (GRAY)	1	
005	15600-ZE1-000	CAP ASSY., OIL FILLER (GRAY)	1	2354519
005	15600-ZE1-003	CAP ASSY., OIL FILLER (GRAY)	1	2354643
005	15600-ZE1-003	CAP ASSY., OIL FILLER (GRAY)	1	2354520
006	15600-ZG4-003	CAP ASSY., OIL FILLER	1	
006	15600-ZG4-003	CAP ASSY., OIL FILLER	1	2354520
007	15620-ZG4-910	CAP, OIL FILLER	1	
<u>Ref</u>	<u>Partnumber</u>	<u>Description</u>	<u>GX120K1</u>	<u>Serial Numbers</u>
007	15620-ZG4-910	CAP, OIL FILLER	1	2354519
010	15621-896-010	PACKING, OIL FILLER CAP	1	
010	15621-896-010	PACKING, OIL FILLER CAP	1	2354519
011	15625-ZE1-000	PACKING, OIL FILLER CAP	1	
011	15625-ZE1-000	PACKING, OIL FILLER CAP	1	2354519
011	15625-ZE1-003	PACKING, OIL FILLER CAP	2	2354643
011	15625-ZE1-003	PACKING, OIL FILLER CAP	2	2354520
015	90015-883-000	BOLT, FLANGE, 6X28 (CT200)	7	
017	91001-878-003	BEARING, RADIAL BALL,	1	
018	91203-ZE0-003	OIL SEAL, 22X41X6	1	
018	91203-ZE0-003	OIL SEAL, 22X41X6	1	4228308
018	91203-ZE0-013	OIL SEAL, 22X41X6	1	4228309
018	91203-ZE0-013	OIL SEAL, 22X41X6	1	4228309
021	94301-08140	DOWEL PIN, 8X14	2	



Ref	Partnumber	Description	GX120K1	Serial Numbers
004	13310-ZE0-601	CRANKSHAFT COMP.	1	
015	90745-ZE1-600	KEY, 4.78X4.78X38	(1)	
015	90745-ZE1-600	KEY, 4.78X4.78X38	1	



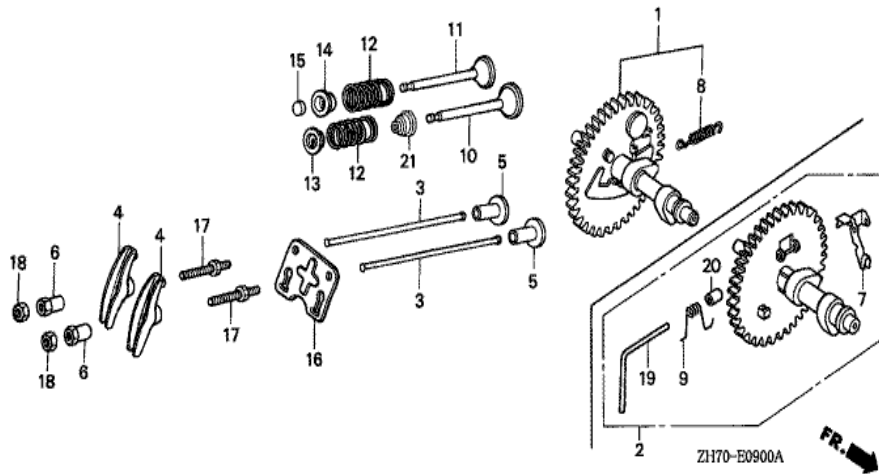
ZH70-E0800



Ref	Partnumber	Description	GX120K1	Serial Numbers
001	13010-ZE6-013	RING SET, PISTON (STD.) (NIPPON)	1	3284616
001	13010-ZE6-013	RING SET, PISTON (STD.) (NIPPON)	1	3284616
001	13010-ZE6-014	RING SET, PISTON (STD.) (TEIKOKU)	1	3284616
001	13010-ZE6-014	RING SET, PISTON (STD.) (TEIKOKU)	1	3284616
001	13010-ZH7-003	RING SET, PISTON (STD.) (TEIKOKU)	1	3993726
001	13010-ZH7-003	RING SET, PISTON (STD.) (TEIKOKU)	1	3993726
001	13010-ZH7-004	RING SET, PISTON (STD.) (NIPPON)	1	3993726
001	13010-ZH7-004	RING SET, PISTON (STD.) (NIPPON)	1	3993726
001	13010-ZK7-V01	RING SET, PISTON (STD.) (TEIKOKU)	1	3284617 3993725
001	13010-ZK7-V01	RING SET, PISTON (STD.) (TEIKOKU)	1	3284617 3993725
001	13010-ZK7-V02	RING SET, PISTON (STD.) (NIPPON)	1	3284617 3993725
001	13010-ZK7-V02	RING SET, PISTON (STD.) (NIPPON)	1	3284617 3993725
001	13011-ZE6-013	RING SET, PISTON (0.25) (NIPPON)	(1)	3284616

<u>Ref</u>	<u>Partnumber</u>	<u>Description</u>	<u>GX120K1</u>	<u>Serial Numbers</u>
001	13011-ZE6-013	RING SET, PISTON (0.25) (NIPPON)	(1)	3284616
001	13011-ZE6-014	RING SET, PISTON (0.25) (TEIKOKU)	(1)	3284616
001	13011-ZE6-014	RING SET, PISTON (0.25) (TEIKOKU)	(1)	3284616
001	13011-ZH7-003	RING SET, PISTON (0.25) (TEIKOKU)	(1)	3993726
001	13011-ZH7-003	RING SET, PISTON (0.25) (TEIKOKU)	(1)	3993726
001	13011-ZH7-004	RING SET, PISTON (0.25) (NIPPON)	(1)	3993726
001	13011-ZH7-004	RING SET, PISTON (0.25) (NIPPON)	(1)	3993726
001	13011-ZK7-V01	RING SET, PISTON (0.25) (TEIKOKU)	(1)	3284617 3993725
001	13011-ZK7-V01	RING SET, PISTON (0.25) (TEIKOKU)	(1)	3284617 3993725
001	13011-ZK7-V02	RING SET, PISTON (0.25) (NIPPON)	(1)	3284617 3993725
001	13011-ZK7-V02	RING SET, PISTON (0.25) (NIPPON)	(1)	3284617 3993725
001	13012-ZE6-013	RING SET, PISTON (0.50) (NIPPON)	(1)	3284616
001	13012-ZE6-013	RING SET, PISTON (0.50) (NIPPON)	(1)	3284616
001	13012-ZE6-014	RING SET, PISTON (0.50) (TEIKOKU)	(1)	3284616
001	13012-ZE6-014	RING SET, PISTON (0.50) (TEIKOKU)	(1)	3284616
001	13012-ZH7-003	RING SET, PISTON (0.50) (TEIKOKU)	(1)	3993726
001	13012-ZH7-003	RING SET, PISTON (0.50) (TEIKOKU)	(1)	3993726
001	13012-ZH7-004	RING SET, PISTON (0.50) (NIPPON)	(1)	3993726
001	13012-ZH7-004	RING SET, PISTON (0.50) (NIPPON)	(1)	3993726
001	13012-ZK7-V01	RING SET, PISTON (0.50) (TEIKOKU)	(1)	3284617 3993725
001	13012-ZK7-V01	RING SET, PISTON (0.50) (TEIKOKU)	(1)	3284617 3993725
001	13012-ZK7-V02	RING SET, PISTON (0.50) (NIPPON)	(1)	3284617 3993725
001	13012-ZK7-V02	RING SET, PISTON (0.50) (NIPPON)	(1)	3284617 3993725
001	13013-ZE6-013	RING SET, PISTON (0.75) (NIPPON)	(1)	3284616
001	13013-ZE6-013	RING SET, PISTON (0.75) (NIPPON)	(1)	3284616
001	13013-ZE6-014	RING SET, PISTON (0.75) (TEIKOKU)	(1)	3284616
001	13013-ZE6-014	RING SET, PISTON (0.75) (TEIKOKU)	(1)	3284616
001	13013-ZH7-003	RING SET, PISTON (0.75) (TEIKOKU)	(1)	3993726
001	13013-ZH7-003	RING SET, PISTON (0.75) (TEIKOKU)	(1)	3993726
001	13013-ZH7-004	RING SET, PISTON (0.75) (NIPPON)	(1)	3993726
001	13013-ZH7-004	RING SET, PISTON (0.75) (NIPPON)	(1)	3993726
001	13013-ZK7-V01	RING SET, PISTON (0.75) (TEIKOKU)	(1)	3284617 3993725
001	13013-ZK7-V01	RING SET, PISTON (0.75) (TEIKOKU)	(1)	3284617 3993725

<u>Ref</u>	<u>Partnumber</u>	<u>Description</u>	<u>GX120K1</u>	<u>Serial Numbers</u>	
001	13013-ZK7-V02	RING SET, PISTON (0.75) (NIPPON)	(1)	3284617	3993725
001	13013-ZK7-V02	RING SET, PISTON (0.75) (NIPPON)	(1)	3284617	3993725
002	13101-ZH7-000	PISTON (STD.)	1		3993725
002	13101-ZH7-000	PISTON (STD.)	1		3993725
002	13101-ZH7-010	PISTON (STD.)	1	3993726	
002	13101-ZH7-010	PISTON (STD.)	1	3993726	
002	13102-ZH7-000	PISTON (0.25)	(1)		3993725
002	13102-ZH7-000	PISTON (0.25)	(1)		3993725
002	13102-ZH7-010	PISTON (0.25)	(1)	3993726	
002	13102-ZH7-010	PISTON (0.25)	(1)	3993726	
002	13103-ZH7-000	PISTON (0.50)	(1)		3993725
002	13103-ZH7-000	PISTON (0.50)	(1)		3993725
002	13103-ZH7-010	PISTON (0.50)	(1)	3993726	
002	13103-ZH7-010	PISTON (0.50)	(1)	3993726	
002	13104-ZH7-000	PISTON (0.75)	(1)		3993725
002	13104-ZH7-000	PISTON (0.75)	(1)		3993725
002	13104-ZH7-010	PISTON (0.75)	(1)	3993726	
002	13104-ZH7-010	PISTON (0.75)	(1)	3993726	
003	13111-ZE0-000	PIN, PISTON	1		
004	13200-ZE0-000	ROD ASSY., CONNECTING	1		
004	132A0-ZE0-000	ROD ASSY., CONNECTING (UNDER SIZE)	(1)		
005	90001-ZE1-000	BOLT, CONNECTING ROD	2		
006	90551-ZE0-000	CLIP, PISTON PIN, 13MM	2		



<u>Ref</u>	<u>Partnumber</u>	<u>Description</u>	<u>GX120K1</u>	<u>Serial Numbers</u>
001	14100-ZE0-812	CAMSHAFT ASSY.	1	
003	14410-ZE0-010	ROD, PUSH	2	
004	14431-ZE1-000	ARM, VALVE ROCKER	2	
005	14441-ZE1-000	LIFTER, VALVE	2	
005	14441-ZE1-000	LIFTER, VALVE	2	2828018
005	14441-ZE1-010	LIFTER, VALVE	2	2828019
005	14441-ZE1-010	LIFTER, VALVE	2	2828019
006	14451-ZE1-003	PIVOT, ROCKER ARM	2	
006	14451-ZE1-003	PIVOT, ROCKER ARM	2	2257853
006	14451-ZE1-013	PIVOT, ROCKER ARM	2	
006	14451-ZE1-013	PIVOT, ROCKER ARM	2	2257854
008	14568-ZE1-000	SPRING, WEIGHT RETURN	1	
010	14711-ZF0-000	VALVE, IN.	1	
<u>Ref</u>	<u>Partnumber</u>	<u>Description</u>	<u>GX120K1</u>	<u>Serial Numbers</u>
011	14721-ZF0-000	VALVE, EX.	(1)	
011	14721-ZF0-000	VALVE, EX.	1	
012	14751-ZF1-000	SPRING, VALVE	2	
013	14771-ZE1-000	RETAINER, IN. VALVE SPRING	1	
014	14773-ZE1-000	RETAINER, EX. VALVE SPRING	1	
015	14781-ZE1-000	ROTATOR, VALVE	1	
016	14791-ZE0-010	PLATE, PUSH ROD GUIDE	1	
017	90012-ZE0-010	BOLT, PIVOT, 8MM	2	
018	90206-ZE1-000	NUT, PIVOT ADJUSTING	2	
021	12209-ZH8-003	SEAL, VALVE STEM	1	
021	12209-ZH8-003	SEAL, VALVE STEM	1	3993726



HENG-X0003

<u>Ref</u>	<u>Partnumber</u>	<u>Description</u>	<u>GX120K1</u>	<u>Serial Numbers</u>
001	061A1-ZH7-010	GASKET KIT	1	
001	061A1-ZH7-010	GASKET KIT	1	