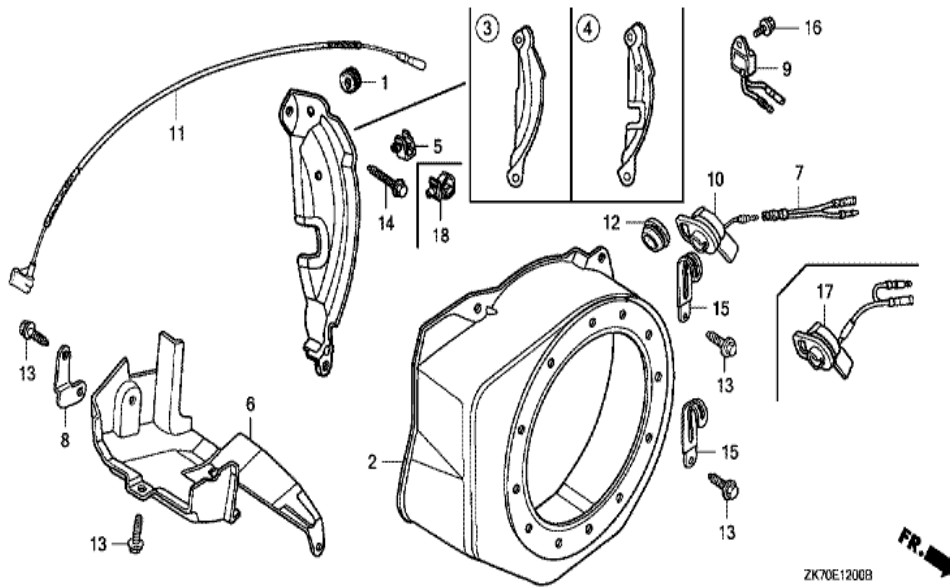


ZK70-E1100



<u>Ref</u>	<u>Partnumber</u>	<u>Description</u>	<u>GX120K1</u>	<u>Serial Numbers</u>
001	28400-ZH8-013YA	STARTER ASSY., RECOIL *R280 *	1	4363433
002	28410-ZH8-003YA	CASE COMP., RECOIL STARTER *R280 *	1	
002	28410-ZH8-003YA	CASE COMP., RECOIL STARTER *R280 *	1	4363433
003	28420-ZH8-013	REEL, RECOIL STARTER (NATURAL)	1	
003	28420-ZH8-013	REEL, RECOIL STARTER (NATURAL)	1	4363433
004	28422-ZH8-013	RATCHET, STARTER	2	
004	28422-ZH8-013	RATCHET, STARTER	2	4363433
005	28433-ZH8-003	GUIDE, RATCHET	1	
005	28433-ZH8-003	GUIDE, RATCHET	1	4363433
006	28441-ZH8-003	SPRING, FRICTION	1	
006	28441-ZH8-003	SPRING, FRICTION	1	4363433
007	28442-ZH8-003	SPRING, RECOIL STARTER	1	
007	28442-ZH8-003	SPRING, RECOIL STARTER	1	4363433
<u>Ref</u>	<u>Partnumber</u>	<u>Description</u>	<u>GX120K1</u>	<u>Serial Numbers</u>
008	28443-ZH8-003	SPRING, RETURN	2	
008	28443-ZH8-003	SPRING, RETURN	2	4363433
009	28461-ZH8-003	GRIP, STARTER	1	
009	28461-ZH8-003	GRIP, STARTER	1	4363433
010	28462-ZH8-003	ROPE, RECOIL STARTER	1	
010	28462-ZH8-003	ROPE, RECOIL STARTER	1	4363433
011	90003-ZH8-003	SCREW, SETTING	1	
011	90003-ZH8-003	SCREW, SETTING	1	4363433
012	90008-ZE2-003	BOLT, FLANGE, 6X10	3	
012	90008-ZE2-003	BOLT, FLANGE, 6X10	3	4363433

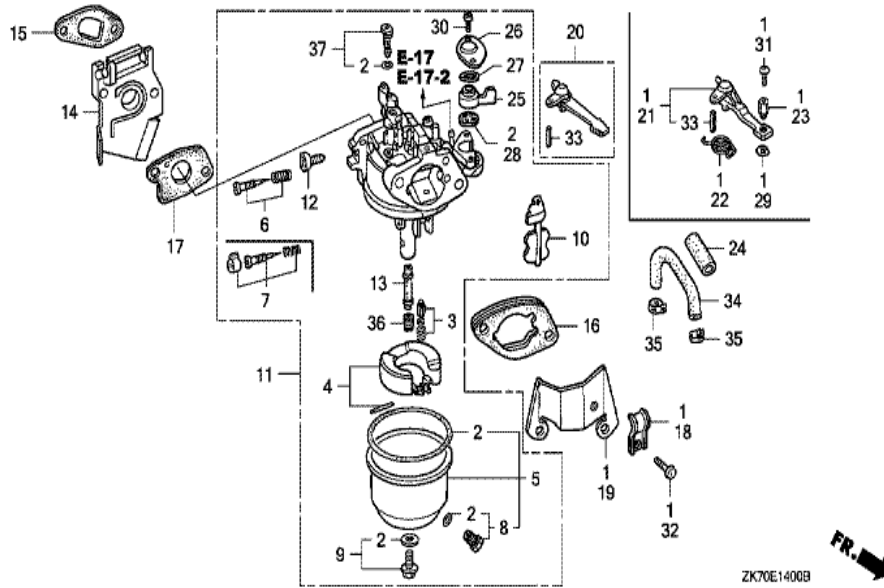
<u>Ref</u>	<u>Partnumber</u>	<u>Description</u>	<u>GX120K1</u>	<u>Serial Numbers</u>
006	28433-ZH8-801	GUIDE, RATCHET	1	
006	28433-ZH8-801	GUIDE, RATCHET	1	4363434
007	28441-ZH8-801	SPRING, FRICTION	1	
007	28441-ZH8-801	SPRING, FRICTION	1	4363434
008	28442-ZH8-003	SPRING, RECOIL STARTER	1	
008	28442-ZH8-003	SPRING, RECOIL STARTER	1	4363434
009	28443-ZH8-801	SPRING, RETURN	2	
009	28443-ZH8-801	SPRING, RETURN	2	4363434
010	28461-ZH8-003	GRIP, STARTER	1	
010	28461-ZH8-003	GRIP, STARTER	1	4363434 4657598
010	28461-ZH8-013	KNOB, RECOIL STARTER	(1)	4657599
010	28461-ZH8-013	KNOB, RECOIL STARTER	1	4657599
010	28461-ZH8-013	KNOB, RECOIL STARTER	(1)	4657599
011	28462-ZH8-003	ROPE, RECOIL STARTER	1	
011	28462-ZH8-003	ROPE, RECOIL STARTER	1	4363434
012	90003-ZH8-801	SCREW, SETTING	1	
012	90003-ZH8-801	SCREW, SETTING	1	4363434
013	90008-ZE2-003	BOLT, FLANGE, 6X10	3	
013	90008-ZE2-003	BOLT, FLANGE, 6X10	3	4363434



ZK70E12008

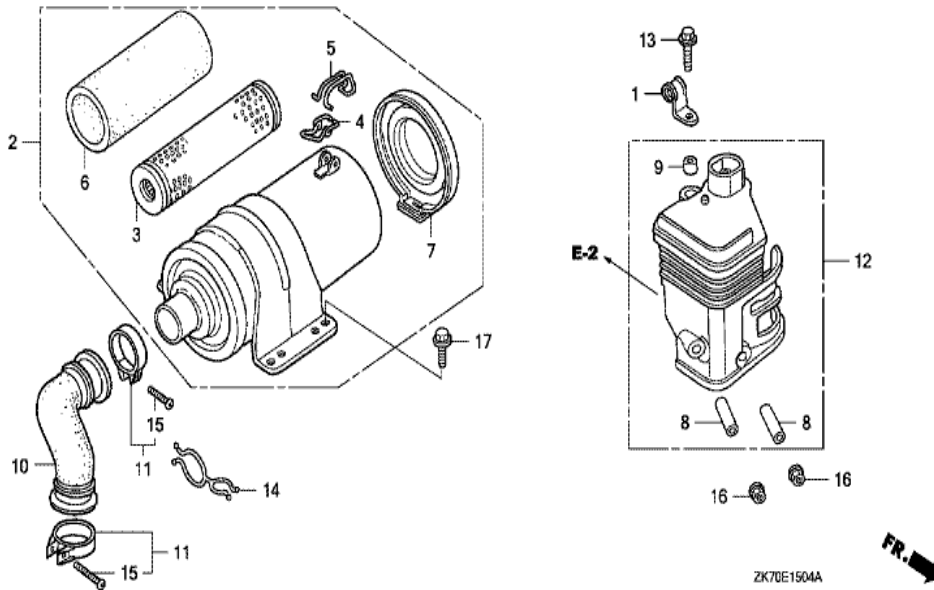


Ref	Partnumber	Description	GX120K1	Serial Numbers
001	11347-371-300	GROMMET, ADJUSTING COVER	1	
002	19610-ZH7-V90ZB	COVER COMP., FAN *R280 *	1	
002	19610-ZH7-V90ZB	COVER COMP., FAN *R280 *	1	
003	19612-ZK7-V00	PLATE, SIDE	1	
003	19612-ZK7-V00	PLATE, SIDE	1	
010	36100-ZE1-015	SWITCH ASSY., ENGINE STOP	(1)	
010	36100-ZE1-015	SWITCH ASSY., ENGINE STOP	1	
011	36101-ZE1-010	CORD, STOP SWITCH (370MM)	1	
013	90013-883-000	BOLT, FLANGE, 6X12 (CT200)	4	
014	90022-888-010	BOLT, FLANGE, 6X20 (CT200)	1	

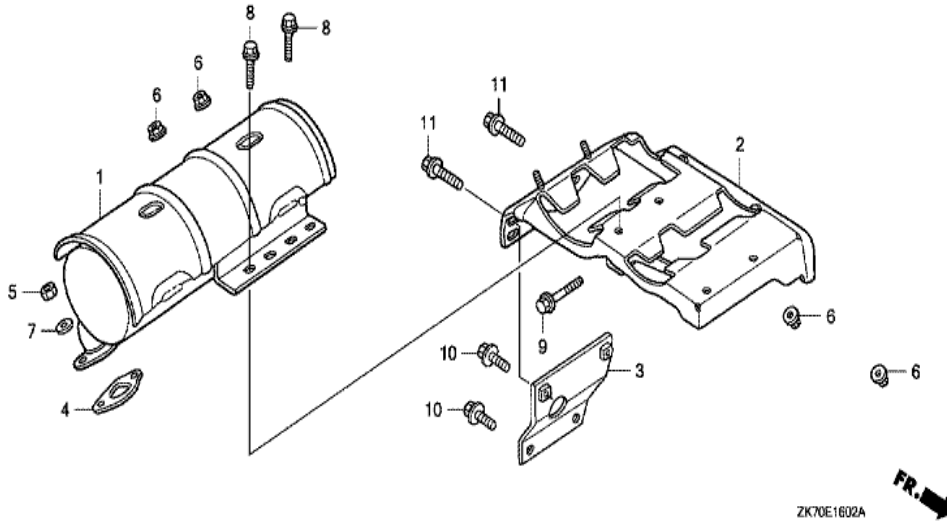


Ref	Partnumber	Description	GX120K1	Serial Numbers
002	16010-ZB1-015	GASKET SET	1	
003	16011-ZE0-005	VALVE SET, FLOAT	1	
004	16013-ZE0-005	FLOAT SET	1	
005	16015-ZE1-811	CHAMBER SET, FLOAT	1	
005	16015-ZE1-811	CHAMBER SET, FLOAT	1	
006	16016-ZE0-005	SCREW SET, PILOT	1	
008	16024-ZE1-811	SCREW SET, DRAIN	1	
009	16028-ZE0-005	SCREW SET	1	
010	16044-ZE0-005	CHOKE SET	1	
011	16100-ZK7-V01	CARBURETOR ASSY. (BE62A A)	1	4503603
011	16100-ZK7-V01	CARBURETOR ASSY. (BE62A A)	1	
011	16100-ZK7-V01	CARBURETOR ASSY. (BE62A A)	1	
012	16124-ZE0-005	SCREW, THROTTLE STOP	1	

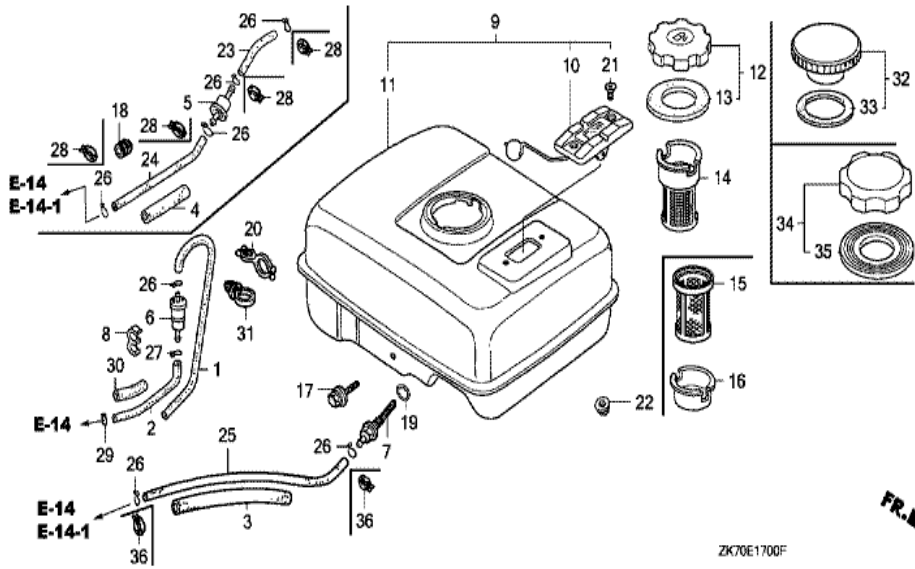
<u>Ref</u>	<u>Partnumber</u>	<u>Description</u>	<u>GX120K1</u>	<u>Serial Numbers</u>
013	16166-ZH7-A50	NOZZLE, MAIN	1	
014	16211-ZE0-000	INSULATOR, CARBURETOR	1	
015	16212-ZH7-800	PACKING, INSULATOR	1	
016	16220-ZE1-020	SPACER COMP., CARBURETOR	1	
017	16221-ZH8-801	PACKING, CARBURETOR	1	
020	16610-ZE1-000	LEVER COMP., CHOKE (STD.)	1	
024	16854-ZH8-000	RUBBER, SUPPORTER (107MM)	1	
033	94305-20122	PIN, SPRING, 2X12	1	
034	95001-4540060	TUBE, FUEL, 4.5X400 (95001-450 (95001-45	1	
034	95001-4540060	TUBE, FUEL, 4.5X400 (95001-450 (95001-45	1	
035	95002-4080008	CLAMP, TUBE (D8)	2	
036	99101-ZH80580	JET, MAIN, #58	(1)	
036	99101-ZH80580	JET, MAIN, #58	(1)	
036	99101-ZH80600	JET, MAIN, #60	(1)	
036	99101-ZH80600	JET, MAIN, #60	(1)	
036	99101-ZH80600	JET, MAIN, #60	(1)	
036	99101-ZH80620	JET, MAIN, #62	1	
036	99101-ZH80620	JET, MAIN, #62	1	
036	99101-ZH80620	JET, MAIN, #62	1	
037	99204-ZE00350	JET SET, PILOT, #35	1	



<u>Ref</u>	<u>Partnumber</u>	<u>Description</u>	<u>GX120K1</u>	<u>Serial Numbers</u>
002	17200-ZK7-V01	CLEANER ASSY., AIR	1	
003	17210-ZK7-V01	ELEMENT COMP., AIR CLEANER	1	
004	17216-PM4-300	CLIP A, WIRE	1	
005	17217-PM4-300	CLIP B, WIRE	1	
006	17218-ZK7-V01	FILTER, OUTER	1	
007	17230-ZK7-V01	COVER COMP., AIR CLEANER	1	
008	17238-ZE7-010	COLLAR, AIR CLEANER	2	
009	17239-ZE1-000	COLLAR B, AIR CLEANER	1	
010	17251-ZE0-S10	TUBE, AIR CLEANER CONNECTING	1	
011	17255-758-000	BAND, AIR CLEANER CONNECTING TUBE	2	
012	17410-ZE1-P30	ELBOW COMP., AIR CLEANER	1	
013	95701-0602000	BOLT, FLANGE, 6X20	1	
013	95701-0602000	BOLT, FLANGE, 6X20	1	
<u>Ref</u>	<u>Partnumber</u>	<u>Description</u>	<u>GX120K1</u>	<u>Serial Numbers</u>
014	91473-PA1-003	CLIP, WATER HOSE	1	
015	93500-040200A	SCREW, PAN, 4X20	2	
016	94050-06000	NUT, FLANGE, 6MM	2	
017	95701-0601600	BOLT, FLANGE, 6X16	2	



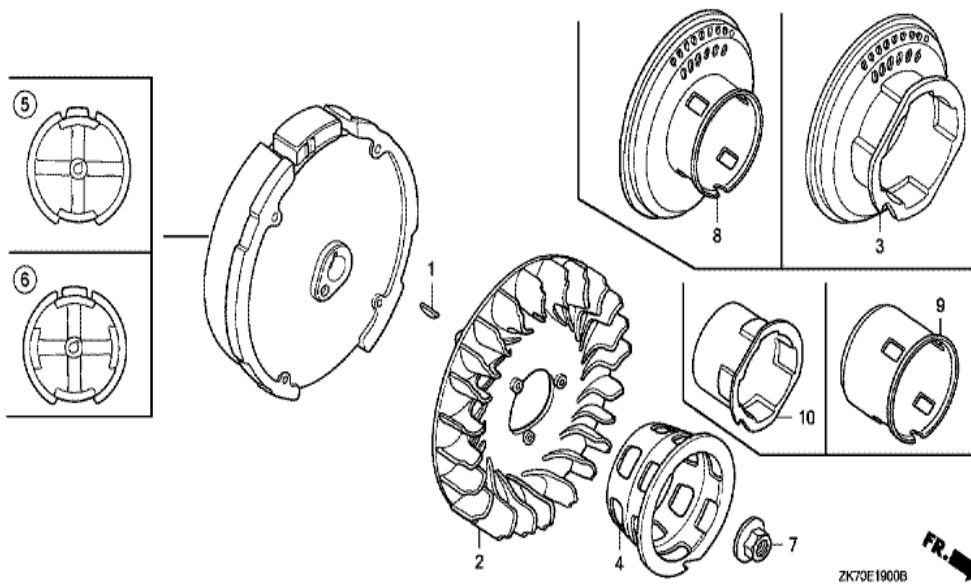
Ref	Partnumber	Description	GX120K1	Serial Numbers
001	18310-ZK7-V01	MUFFLER COMP.	1	
002	18338-ZK7-V01	STAY COMP., MUFFLER	1	
003	18338-ZK7-V20	STAY COMP., MUFFLER	1	
004	18381-ZH8-800	GASKET, MUFFLER	1	
005	94001-080000S	NUT, HEX., 8MM	2	
006	94050-06000	NUT, FLANGE, 6MM	4	
008	95701-0601600	BOLT, FLANGE, 6X16	2	
009	95701-0602500	BOLT, FLANGE, 6X25	1	
010	95701-0801200	BOLT, FLANGE, 8X12	2	
011	95701-0801800	BOLT, FLANGE, 8X18	2	



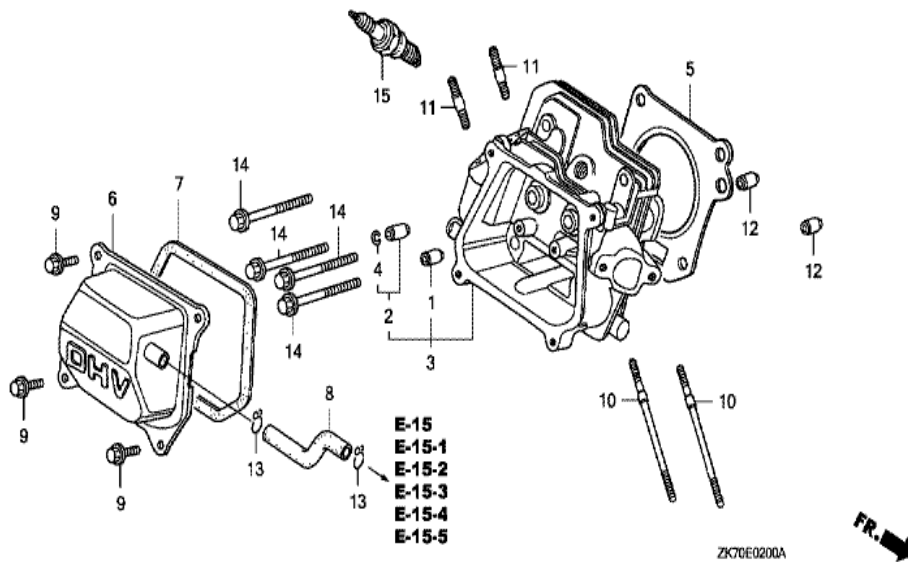
ZK70E1700F



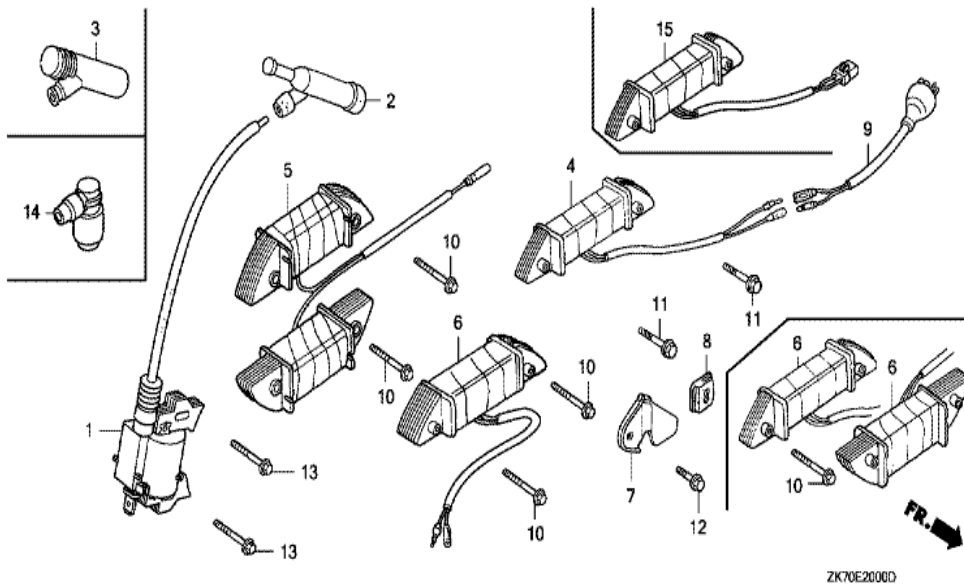
Ref	Partnumber	Description	GX120K1	Serial Numbers
001	16198-ZG0-U00	TUBE A, AIR VENT	1	
002	16199-KCR-000	TUBE	1	
006	16910-ZG0-U02	STRAINER COMP., FUEL	1	
008	17205-PC6-000	CLAMP, TUBE, 7.5X2	1	
026	95002-02080	CLIP, TUBE (B8)	1	
027	95002-02100	CLIP, TUBE (B10)	1	
029	95002-50000	CLIP, TUBE (C9)	1	



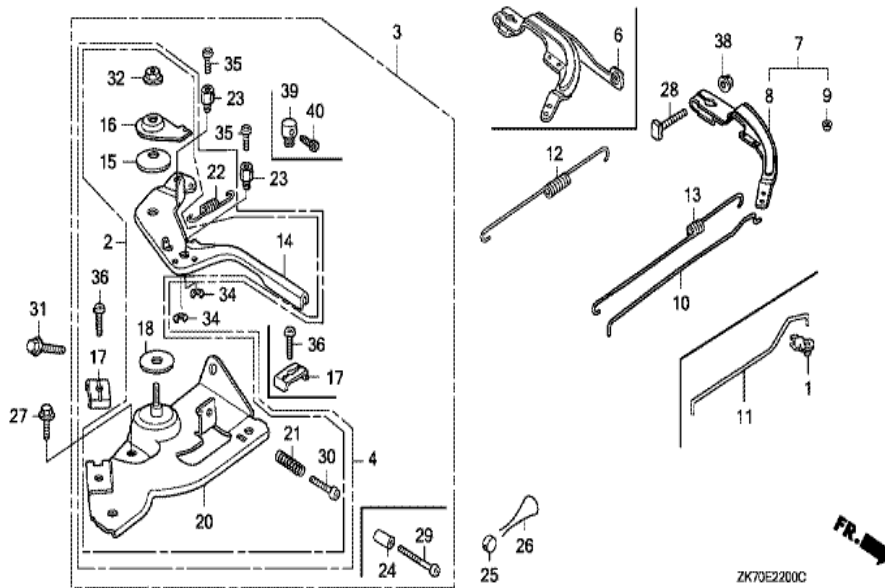
Ref	Partnumber	Description	GX120K1	Serial Numbers
001	13331-357-000	KEY, SPECIAL WOODRUFF, 25X18	1	
002	19511-ZE0-000	FAN, COOLING	1	
005	31100-ZE0-010	FLYWHEEL COMP.	1	
005	31100-ZE0-010	FLYWHEEL COMP.	1	4554359
005	31100-ZE0-020	FLYWHEEL COMP.	1	4554360
005	31100-ZE0-020	FLYWHEEL COMP.	1	4554360
007	90201-878-003	NUT, SPECIAL, 14MM	1	
009	28451-ZH7-801	PULLEY, STARTER	1	
009	28451-ZH7-801	PULLEY, STARTER	1	4363434
010	28451-ZH7-003	PULLEY, STARTER	1	
010	28451-ZH7-003	PULLEY, STARTER	1	4363433



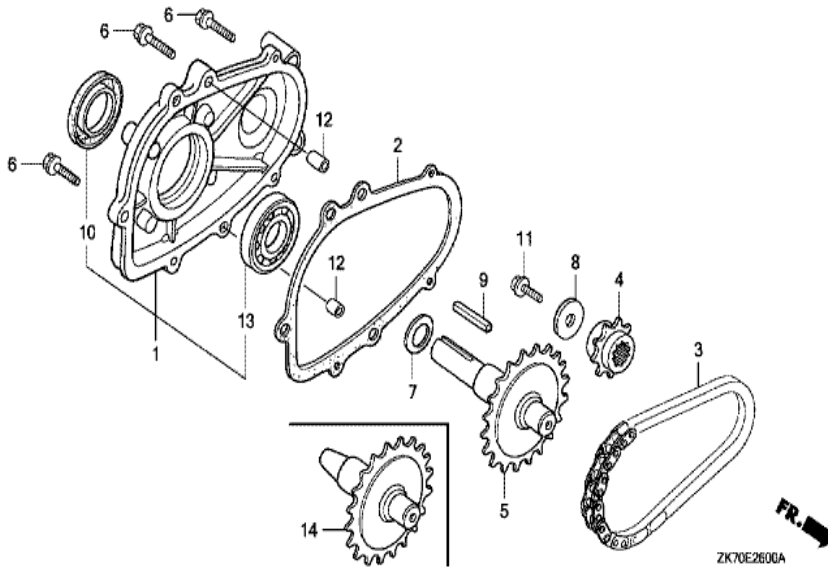
Ref	Partnumber	Description	GX120K1	Serial Numbers
001	12204-ZE1-306	GUIDE, IN. VALVE (OS)	(1)	
002	12205-ZE1-315	GUIDE, EX. VALVE (OS)	(1)	
003	12210-ZH7-405	HEAD COMP., CYLINDER	1	
003	12210-ZH7-405	HEAD COMP., CYLINDER	1	4516043
003	12210-ZH7-415	HEAD COMP., CYLINDER	1	
003	12210-ZH7-415	HEAD COMP., CYLINDER	1	4516044
004	12216-ZE5-300	CLIP, VALVE GUIDE	1	
005	12251-ZH7-800	GASKET, CYLINDER HEAD	(1)	
005	12251-ZH7-800	GASKET, CYLINDER HEAD	1	
006	12310-ZE1-020	COVER COMP., HEAD	1	
006	12310-ZE1-020	COVER COMP., HEAD	1	
007	12391-ZE1-000	PACKING, HEAD COVER	1	
008	15721-ZH8-000	TUBE, BREATHER	(1)	
<u>Ref</u>	<u>Partnumber</u>	<u>Description</u>	<u>GX120K1</u>	<u>Serial Numbers</u>
008	15721-ZH8-000	TUBE, BREATHER	1	
009	90013-883-000	BOLT, FLANGE, 6X12 (CT200)	4	
010	90043-ZE1-020	BOLT, STUD, 6X112	2	
010	90043-ZE1-020	BOLT, STUD, 6X112	2	
011	90047-ZE1-000	BOLT, STUD, 8X32	2	
012	94301-10160	DOWEL PIN, 10X16	2	
014	95701-0805500	BOLT, FLANGE, 8X55	4	4532610
014	95723-0805500	BOLT, FLANGE, 8X55	4	
014	95723-0805500	BOLT, FLANGE, 8X55	4	4532609
015	98079-54841	PLUG, SPARK (BP4ES) (NGK)	1	
015	98079-54854	PLUG, SPARK (W14EP-U) (DENSO)	1	
015	98079-54854	PLUG, SPARK (W14EP-U) (DENSO)	1	



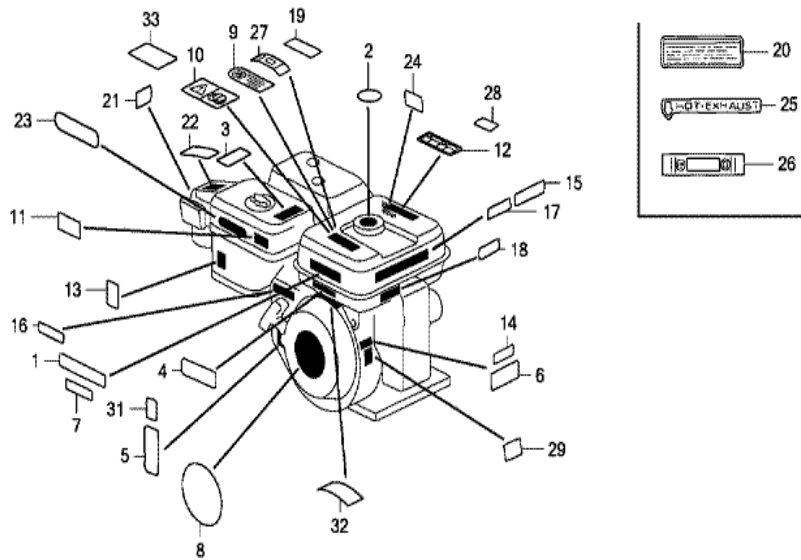
Ref	Partnumber	Description	GX120K1	Serial Numbers
001	30500-ZE1-043	COIL ASSY., IGNITION	1	4450768
001	30500-ZE1-043	COIL ASSY., IGNITION	1	4450768
001	30500-ZE1-053	COIL ASSY., IGNITION	1	4456559
001	30500-ZE1-053	COIL ASSY., IGNITION	1	4450769 4456559
001	30500-ZE1-063	COIL ASSY., IGNITION	1	4456560
001	30500-ZE1-063	COIL ASSY., IGNITION	1	4456560 4569508
001	30500-ZE1-073	COIL ASSY., IGNITION	1	4569509
001	30500-ZE1-073	COIL ASSY., IGNITION	1	4569509
002	30600-ZE1-013	TERMINAL ASSY., HIGH TENSION (NICHIWA Y-	1	
013	90121-952-000	BOLT, FLANGE, 6X25 (CT200)	2	



<u>Ref</u>	<u>Partnumber</u>	<u>Description</u>	<u>GX120K1</u>	<u>Serial Numbers</u>
003	16570-ZE0-S10	CONTROL ASSY.	1	
003	16570-ZE0-S10	CONTROL ASSY.	1	
007	16550-ZK7-V00	ARM COMP., GOVERNOR	1	
009	16552-896-650	COLLAR, LEVER	1	
010	16555-ZE0-000	ROD, GOVERNOR	1	
012	16561-ZE0-020	SPRING, GOVERNOR	1	
013	16562-ZE0-020	SPRING, THROTTLE RETURN	1	
014	16571-ZE0-S10	LEVER, CONTROL	1	
015	16574-ZE1-000	SPRING, LEVER	1	
016	16575-ZH8-000	WASHER, CONTROL LEVER	1	
017	16576-891-000	HOLDER, CABLE	1	
018	16578-ZE1-000	SPACER, CONTROL LEVER	1	
020	16580-ZH7-810	BASE COMP., CONTROL (###)	(1)	
<u>Ref</u>	<u>Partnumber</u>	<u>Description</u>	<u>GX120K1</u>	<u>Serial Numbers</u>
020	16580-ZH7-810	BASE COMP., CONTROL (###)	1	
021	16584-883-300	SPRING, CONTROL ADJUSTING	1	
022	16592-ZE1-810	SPRING, CABLE RETURN	1	
023	16594-883-010	HOLDER, WIRE	1	
027	90013-883-000	BOLT, FLANGE, 6X12 (CT200)	1	
028	90015-ZE5-010	BOLT, GOVERNOR ARM	1	
030	93500-050250H	SCREW, PAN, 5X25	1	
030	93500-050250H	SCREW, PAN, 5X25	1	
031	90022-888-010	BOLT, FLANGE, 6X20 (CT200)	1	
032	90114-SA0-000	NUT, SELF-LOCK, 6MM	1	
034	90605-230-000	CIRCLIP, 5MM	1	
035	93500-040060H	SCREW, PAN, 4X6	1	
036	93500-050160A	SCREW, PAN, 5X16	1	
038	94050-06000	NUT, FLANGE, 6MM	1	

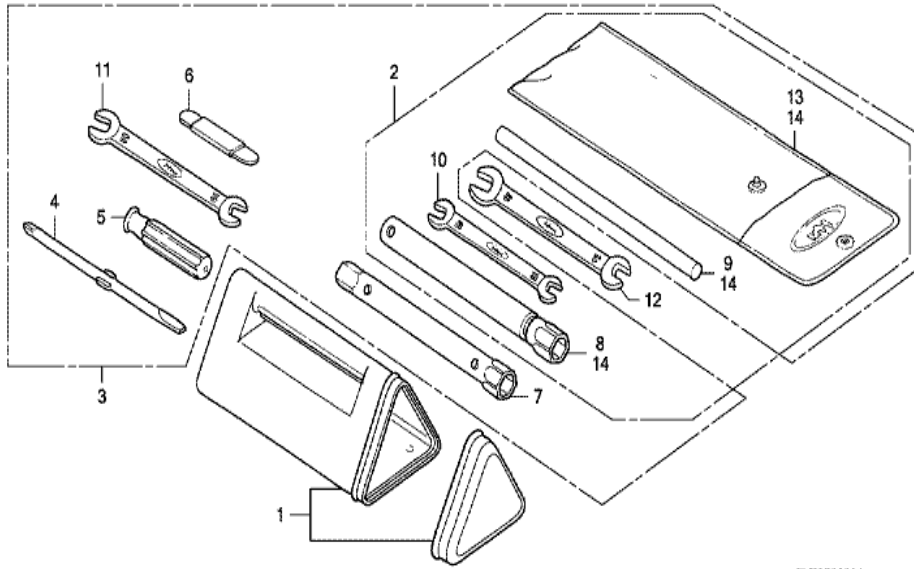


<u>Ref</u>	<u>Partnumber</u>	<u>Description</u>	<u>GX120K1</u>	<u>Serial Numbers</u>
001	11500-ZE1-611	COVER ASSY., CHAIN CASE	1	
002	11521-ZK7-W20	PACKING, CHAIN CASE COVER	1	
002	11521-ZK7-W20	PACKING, CHAIN CASE COVER	1	
003	14411-ZH7-V91	CHAIN, P.T.O. DRIVE (DID270FH DHA-36LE)	1	
003	14411-ZH7-V91	CHAIN, P.T.O. DRIVE (DID270FH DHA-36LE)	1	
004	23110-ZH7-V90	SPROCKET, DRIVE (14T)	1	
004	23110-ZH7-V90	SPROCKET, DRIVE (14T)	1	
005	23710-ZE0-613	SHAFT, P.T.O. (28T)	1	
006	90003-ZK7-W20	BOLT, FLANGE, 6X28	5	
007	90456-ZE1-000	SPRING, THRUST	1	
008	90471-ZE1-610	WASHER, 8MM	1	
009	90741-883-810	KEY, 5X5X33 (YELLOW)	1	
010	91201-ZOT-801	OIL SEAL, 25X41X6 (NOK)	1	
<u>Ref</u>	<u>Partnumber</u>	<u>Description</u>	<u>GX120K1</u>	<u>Serial Numbers</u>
011	92101-080250A	BOLT, HEX., 8X25	1	
011	92101-080250A	BOLT, HEX., 8X25	1	
012	94301-08140	DOWEL PIN, 8X14	2	
013	96100-6205000	BEARING, RADIAL BALL, 6205	1	



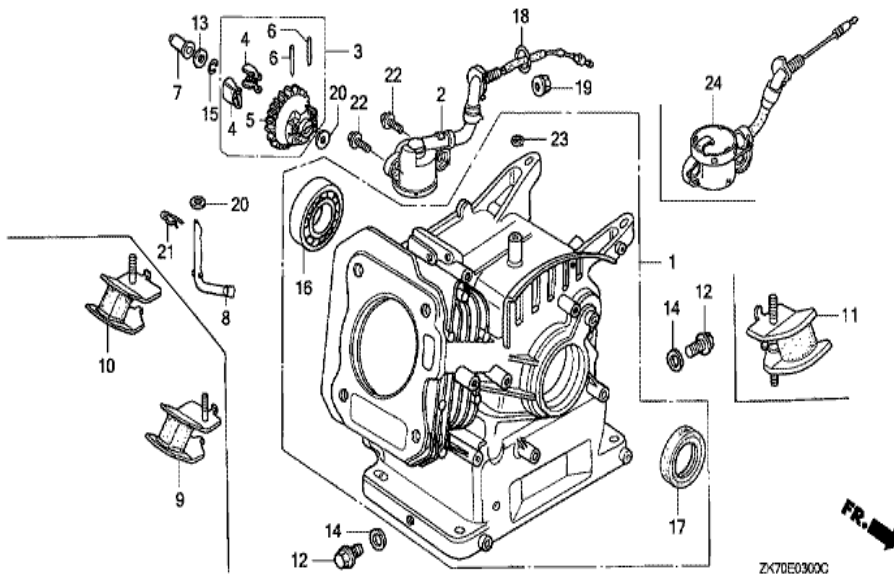
ZK70E2800D

Ref	Partnumber	Description	GX120K1	Serial Numbers
005	87135-ZE2-020	LABEL, E-SPEC (15.5X27.5)	1	
005	87135-ZE2-020	LABEL, E-SPEC (15.5X27.5)	1	4500394
007	87520-ZH8-000	MARK A, COMBINATION (JAPANESE)	1	
008	87521-ZH7-030	EMBLEM (4.0)	1	4553667
008	87521-ZH7-030	EMBLEM (4.0)	1	
008	87521-ZH7-040	EMBLEM (GX120)	1	4553668
012	87526-ZH8-000	MARK B, COMBINATION (JAPANESE)	1	
013	87528-ZE1-810	MARK, CHOKE	1	4462599
013	87528-ZE1-810	MARK, CHOKE	1	
013	87528-ZE1-810	MARK, CHOKE	(1)	
031	87114-ZH7-000	LABEL, WARNING (NOT CERTIFIED FOR SALE)	1	
031	87114-ZH7-000	LABEL, WARNING (NOT CERTIFIED FOR SALE)	1	4452742

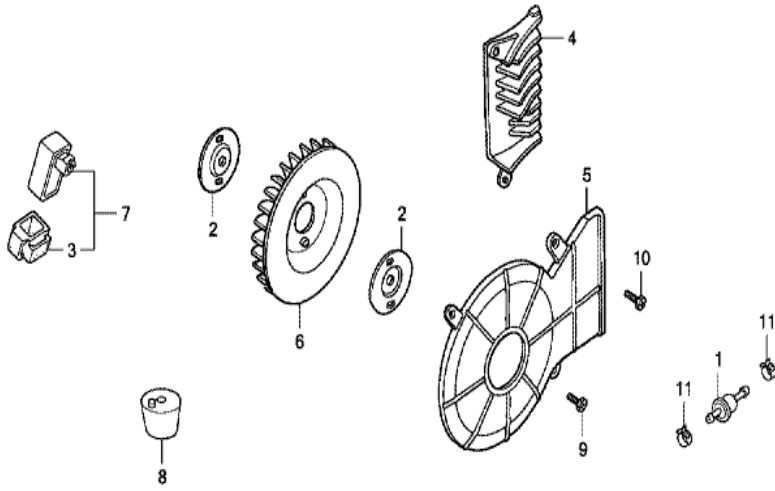


ZK70E2900A

Ref	Partnumber	Description	GX120K1	Serial Numbers
008	89218-ZE1-000	WRENCH COMP., SPARK PLUG	1	

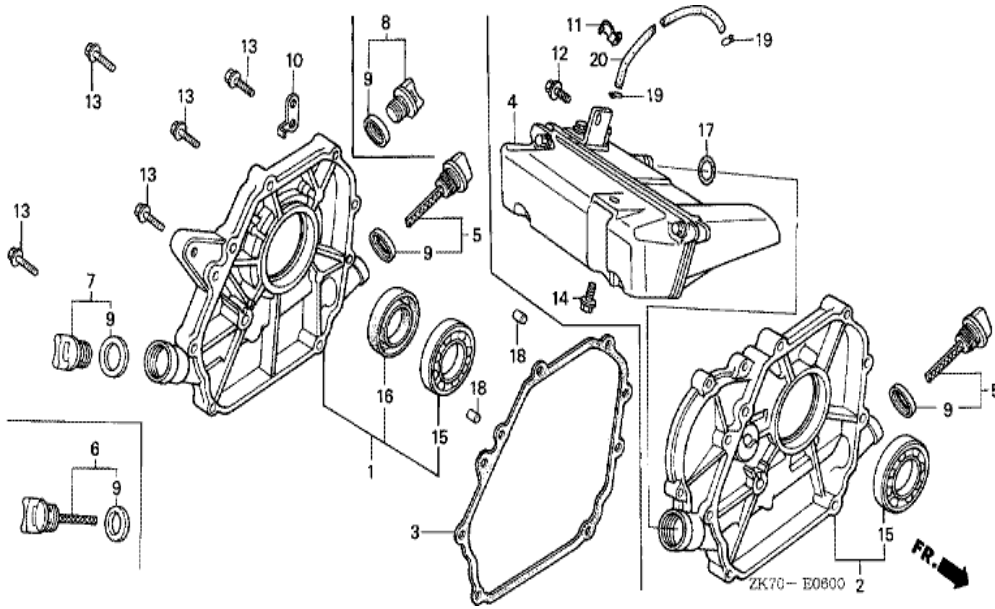


<u>Ref</u>	<u>Partnumber</u>	<u>Description</u>	<u>GX120K1</u>	<u>Serial Numbers</u>
001	12000-ZF0-425	BARREL ASSY., CYLINDER	1	
003	16510-ZE1-000	GOVERNOR ASSY.	1	
004	16511-ZE1-000	WEIGHT, GOVERNOR	2	
005	16512-ZE1-000	HOLDER, GOVERNOR WEIGHT	1	
006	16513-ZE1-000	PIN, GOVERNOR WEIGHT	2	
007	16531-ZE1-000	SLIDER, GOVERNOR	1	
008	16541-ZE1-000	SHAFT, GOVERNOR ARM	1	
012	90131-ZE1-000	BOLT, DRAIN PLUG	2	
013	90451-ZE1-000	WASHER, THRUST, 6MM	1	
014	90601-ZE1-000	WASHER, DRAIN PLUG, 10.2MM	2	
015	90602-ZE1-000	CLIP, GOVERNOR HOLDER	1	
016	91001-878-003	BEARING, RADIAL BALL,	1	
017	91202-ZE6-013	OIL SEAL, 22X35X6	1	
<u>Ref</u>	<u>Partnumber</u>	<u>Description</u>	<u>GX120K1</u>	<u>Serial Numbers</u>
020	94101-06800	WASHER, PLAIN, 6MM	2	
021	94251-08000	PIN, LOCK, 8MM	1	

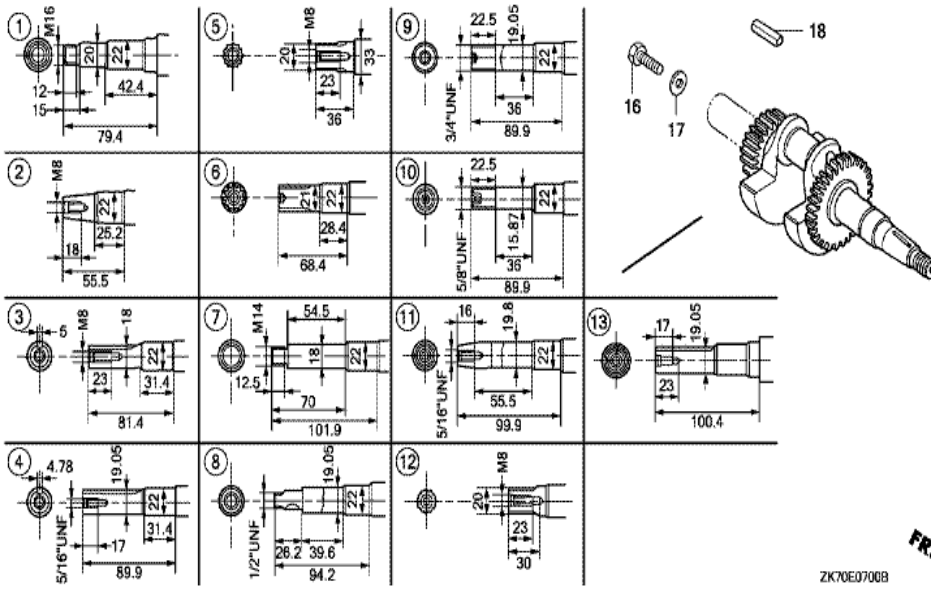


ZK70E4002A

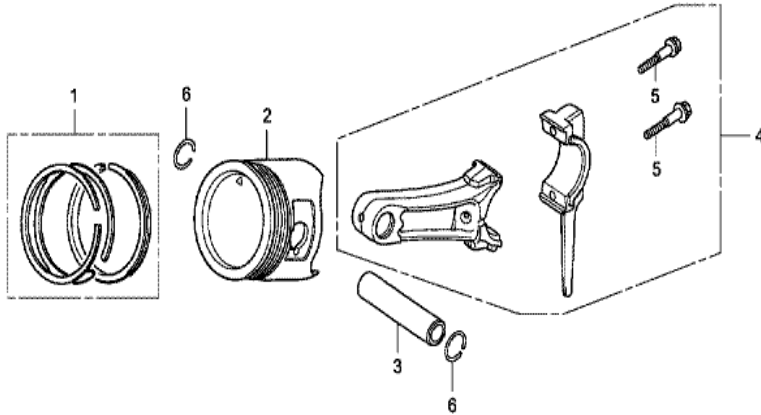
Ref	Partnumber	Description	GX120K1	Serial Numbers
001	16910-GB2-005	STRAINER COMP., FUEL	1	
011	95002-4085008	CLAMP, TUBE (D8.5)	2	



<u>Ref</u>	<u>Partnumber</u>	<u>Description</u>	<u>GX120K1</u>	<u>Serial Numbers</u>
002	11300-ZK7-W20	COVER ASSY., CRANKCASE	1	
002	11300-ZK7-W20	COVER ASSY., CRANKCASE	1	
003	11381-ZK7-W20	PACKING, CASE COVER	1	
003	11381-ZK7-W20	PACKING, CASE COVER	1	
004	15500-ZK7-V00	TANK ASSY., OIL	1	
005	15600-ZE1-003	CAP ASSY., OIL FILLER (GRAY)	1	
009	15625-ZE1-003	PACKING, OIL FILLER CAP	1	
011	35210-MA6-000	CLAMP, SWITCH CORD	1	
012	90014-952-000	BOLT, FLANGE, 6X14 (CT200)	1	
013	90015-883-000	BOLT, FLANGE, 6X28 (CT200)	7	
014	90029-888-000	BOLT, FLANGE, 6X16 (CT200)	1	
015	91001-878-003	BEARING, RADIAL BALL,	1	
017	91304-MJ0-003	O-RING, 15.8X2.4 (SHOWA)	1	
<u>Ref</u>	<u>Partnumber</u>	<u>Description</u>	<u>GX120K1</u>	<u>Serial Numbers</u>
018	94301-08140	DOWEL PIN, 8X14	2	
019	95002-02070	CLIP, TUBE (B7)	2	
020	95005-3515010	TUBE, 3.5X150 (95005-35001-10M)	1	



Ref	Partnumber	Description	GX120K1	Serial Numbers
005	13310-ZE0-610	CRANKSHAFT COMP.	1	
018	90741-883-810	KEY, 5X5X33 (YELLOW)	1	

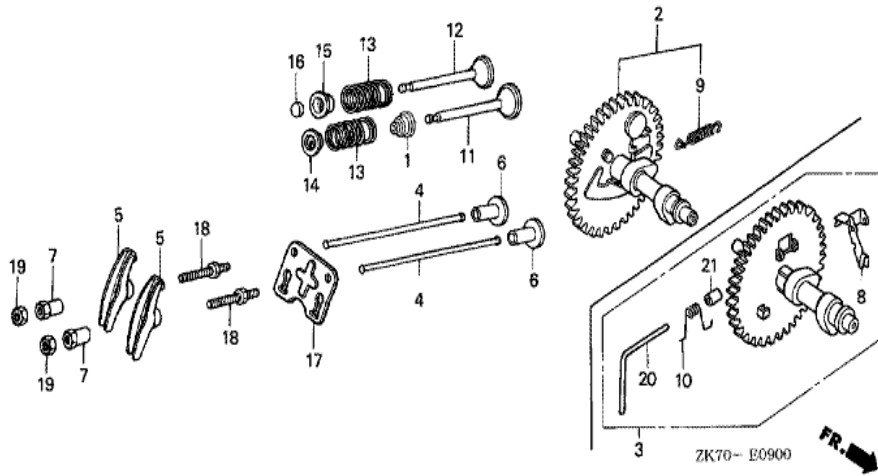


ZK70E0800A



Ref	Partnumber	Description	GX120K1	Serial Numbers
001	13010-Z4F-004	RING SET, PISTON (STD.) (TEIKOKU)	1	4554250
001	13010-ZH7-003	RING SET, PISTON (STD.) (TEIKOKU)	1	4554249
001	13010-ZH7-003	RING SET, PISTON (STD.) (TEIKOKU)	1	4554249
001	13010-ZH7-004	RING SET, PISTON (STD.) (NIPPON)	1	4554249
001	13010-ZH7-004	RING SET, PISTON (STD.) (NIPPON)	1	4554249
001	13011-Z4F-004	RING SET, PISTON (0.25) (TEIKOKU)	(1)	4554250
001	13011-Z4F-004	RING SET, PISTON (0.25) (TEIKOKU)	(1)	4554250
001	13011-ZH7-003	RING SET, PISTON (0.25) (TEIKOKU)	(1)	
001	13011-ZH7-003	RING SET, PISTON (0.25) (TEIKOKU)	(1)	4554249
001	13011-ZH7-004	RING SET, PISTON (0.25) (NIPPON)	(1)	
001	13011-ZH7-004	RING SET, PISTON (0.25) (NIPPON)	(1)	4554249
001	13012-Z4F-004	RING SET, PISTON (0.50) (TEIKOKU)	(1)	4554250
001	13012-Z4F-004	RING SET, PISTON (0.50) (TEIKOKU)	(1)	4554250

<u>Ref</u>	<u>Partnumber</u>	<u>Description</u>	<u>GX120K1</u>	<u>Serial Numbers</u>
001	13012-ZH7-003	RING SET, PISTON (0.50) (TEIKOKU)	(1)	4554249
001	13012-ZH7-003	RING SET, PISTON (0.50) (TEIKOKU)	(1)	4554249
001	13012-ZH7-004	RING SET, PISTON (0.50) (NIPPON)	(1)	4554249
001	13012-ZH7-004	RING SET, PISTON (0.50) (NIPPON)	(1)	4554249
001	13013-Z4F-004	RING SET, PISTON (0.75) (TEIKOKU)	(1)	4554250
001	13013-Z4F-004	RING SET, PISTON (0.75) (TEIKOKU)	(1)	4554250
001	13013-ZH7-003	RING SET, PISTON (0.75) (TEIKOKU)	(1)	4554249
001	13013-ZH7-003	RING SET, PISTON (0.75) (TEIKOKU)	(1)	4554249
001	13013-ZH7-004	RING SET, PISTON (0.75) (NIPPON)	(1)	
001	13013-ZH7-004	RING SET, PISTON (0.75) (NIPPON)	(1)	4554249
002	13101-ZH7-010	PISTON (STD.)	1	
002	13101-ZH7-010	PISTON (STD.)	1	4554249
002	13101-ZH7-010	PISTON (STD.)	1	4554249
002	13101-ZH7-020	PISTON (STD.)	1	4554250
002	13101-ZH7-020	PISTON (STD.)	1	4554250
002	13101-ZH7-020	PISTON (STD.)	1	4554250
002	13102-ZH7-010	PISTON (0.25)	(1)	4554249
002	13102-ZH7-010	PISTON (0.25)	(1)	4554249
002	13102-ZH7-010	PISTON (0.25)	(1)	4554249
002	13102-ZH7-020	PISTON (0.25)	(1)	4554250
002	13102-ZH7-020	PISTON (0.25)	(1)	4554250
002	13102-ZH7-020	PISTON (0.25)	(1)	4554250
002	13103-ZH7-010	PISTON (0.50)	(1)	4554249
002	13103-ZH7-010	PISTON (0.50)	(1)	4554249
002	13103-ZH7-010	PISTON (0.50)	(1)	4554249
002	13103-ZH7-020	PISTON (0.50)	(1)	4554250
002	13103-ZH7-020	PISTON (0.50)	(1)	4554250
002	13103-ZH7-020	PISTON (0.50)	(1)	4554250
002	13104-ZH7-010	PISTON (0.75)	(1)	
002	13104-ZH7-010	PISTON (0.75)	(1)	4554249
002	13104-ZH7-010	PISTON (0.75)	(1)	4554249
002	13104-ZH7-020	PISTON (0.75)	(1)	4554250
002	13104-ZH7-020	PISTON (0.75)	(1)	4554250
<u>Ref</u>	<u>Partnumber</u>	<u>Description</u>	<u>GX120K1</u>	<u>Serial Numbers</u>
002	13104-ZH7-020	PISTON (0.75)	(1)	4554250
003	13111-ZE0-000	PIN, PISTON	1	
004	13200-ZE0-000	ROD ASSY., CONNECTING	1	
005	90001-ZE1-000	BOLT, CONNECTING ROD	2	
006	90551-ZE0-000	CLIP, PISTON PIN, 13MM	2	



<u>Ref</u>	<u>Partnumber</u>	<u>Description</u>	<u>GX120K1</u>	<u>Serial Numbers</u>
001	12209-ZH8-003	SEAL, VALVE STEM	1	
002	14100-ZH7-B20	CAMSHAFT ASSY.	1	
002	14100-ZH7-B20	CAMSHAFT ASSY.	1	
004	14410-ZE0-010	ROD, PUSH	2	
005	14431-ZE1-000	ARM, VALVE ROCKER	2	
006	14441-ZE1-010	LIFTER, VALVE	2	
007	14451-ZE1-013	PIVOT, ROCKER ARM	2	
007	14451-ZE1-013	PIVOT, ROCKER ARM	2	
009	14568-ZE1-000	SPRING, WEIGHT RETURN	1	
011	14711-ZF0-010	VALVE, IN.	1	
011	14711-ZF0-010	VALVE, IN.	1	
012	14721-ZF0-000	VALVE, EX.	1	
013	14751-ZF1-000	SPRING, VALVE	2	
<u>Ref</u>	<u>Partnumber</u>	<u>Description</u>	<u>GX120K1</u>	<u>Serial Numbers</u>
014	14771-ZE1-000	RETAINER, IN. VALVE SPRING	1	
015	14773-ZE1-000	RETAINER, EX. VALVE SPRING	1	
016	14781-ZE1-000	ROTATOR, VALVE	1	
017	14791-ZE0-010	PLATE, PUSH ROD GUIDE	1	
018	90012-ZE0-010	BOLT, PIVOT, 8MM	2	
019	90206-ZE1-000	NUT, PIVOT ADJUSTING	2	