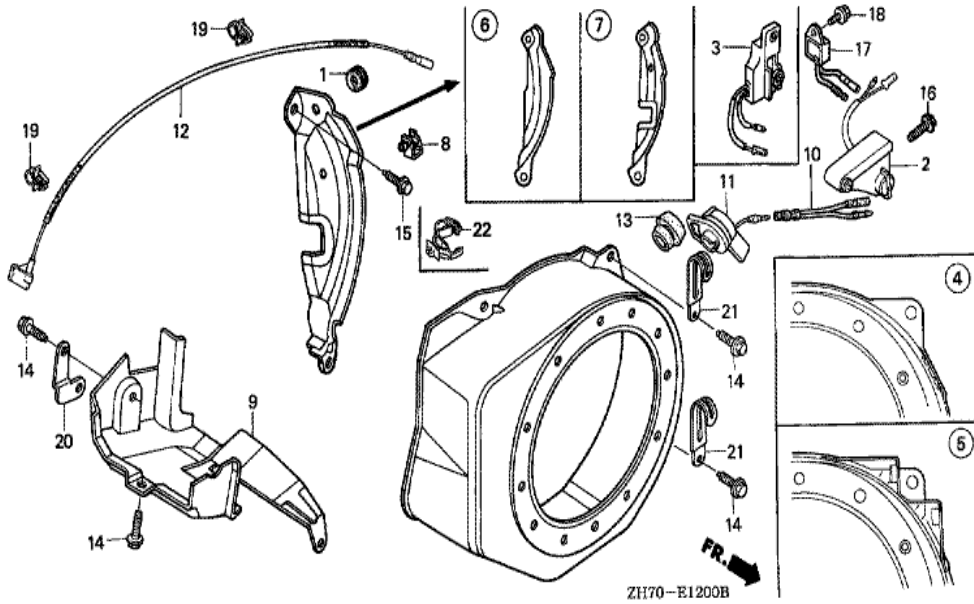
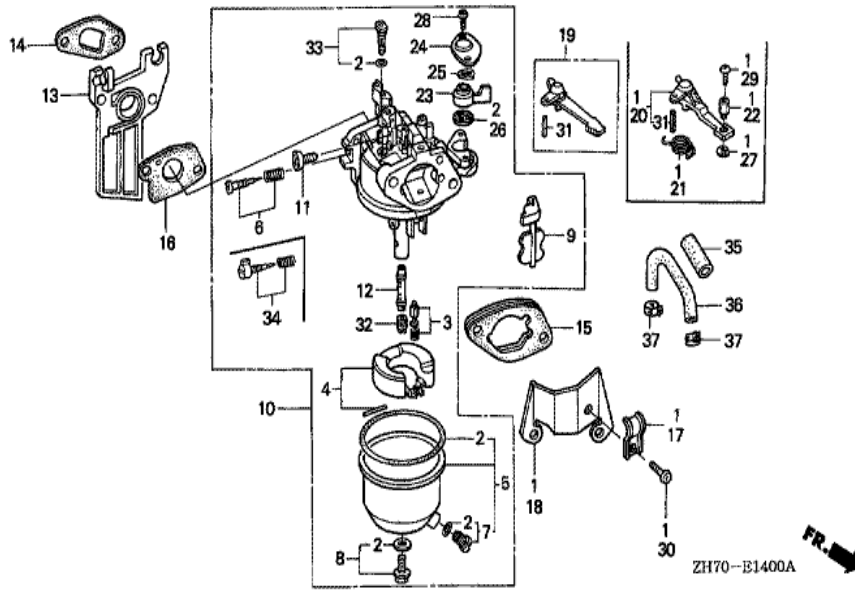


| <u>Ref</u> | <u>Partnumber</u> | <u>Description</u>                 | <u>GX120K1</u> | <u>Serial Numbers</u> |
|------------|-------------------|------------------------------------|----------------|-----------------------|
| 001        | 28400-ZH8-013YA   | STARTER ASSY., RECOIL *R280 *      | 1              | 4142274               |
| 001        | 28400-ZH8-013ZA   | STARTER ASSY., RECOIL *R8 *        | 1              | 4142273               |
| 001        | 28400-ZH8-013ZA   | STARTER ASSY., RECOIL *R8 *        | 1              | 4142273               |
| 002        | 28410-ZH8-003YA   | CASE COMP., RECOIL STARTER *R280 * | 1              | 4142274               |
| 002        | 28410-ZH8-003ZA   | CASE COMP., RECOIL STARTER *R8 *   | 1              | 4142273               |
| 002        | 28410-ZH8-003ZA   | CASE COMP., RECOIL STARTER *R8 *   | 1              | 4142273               |
| 003        | 28420-ZH8-013     | REEL, RECOIL STARTER (NATURAL)     | 1              | 2169650               |
| 003        | 28420-ZH8-013     | REEL, RECOIL STARTER (NATURAL)     | 1              |                       |
| 004        | 28422-ZH8-013     | RATCHET, STARTER                   | 2              | 2169650               |
| 004        | 28422-ZH8-013     | RATCHET, STARTER                   | 2              |                       |
| 005        | 28433-ZH8-003     | GUIDE, RATCHET                     | 1              |                       |
| 006        | 28441-ZH8-003     | SPRING, FRICTION                   | 1              |                       |
| 007        | 28442-ZH8-003     | SPRING, RECOIL STARTER             | 1              |                       |
| <u>Ref</u> | <u>Partnumber</u> | <u>Description</u>                 | <u>GX120K1</u> | <u>Serial Numbers</u> |
| 008        | 28443-ZH8-003     | SPRING, RETURN                     | 2              |                       |
| 009        | 28461-ZH8-003     | GRIP, STARTER                      | 1              |                       |
| 010        | 28462-ZH8-003     | ROPE, RECOIL STARTER               | 1              |                       |
| 012        | 90003-ZH8-003     | SCREW, SETTING                     | 1              |                       |
| 013        | 90008-ZE2-003     | BOLT, FLANGE, 6X10                 | 3              |                       |
| 013        | 90008-ZE2-003     | BOLT, FLANGE, 6X10                 | (3)            |                       |

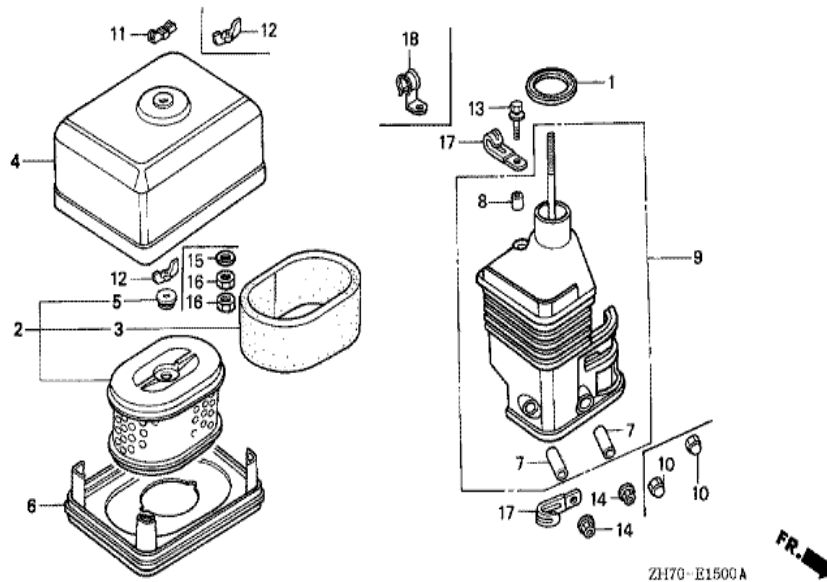


| Ref | Partnumber      | Description                | GX120K1 | Serial Numbers |
|-----|-----------------|----------------------------|---------|----------------|
| 001 | 11347-371-300   | GROMMET, ADJUSTING COVER   | 1       |                |
| 004 | 19610-ZK7-V00ZA | COVER COMP., FAN *R8 *     | 1       | 4142769        |
| 004 | 19610-ZK7-V00ZA | COVER COMP., FAN *R8 *     | 1       | 4142769        |
| 004 | 19610-ZK7-V00ZD | COVER COMP., FAN *R280 *   | 1       | 4142770        |
| 004 | 19610-ZK7-V00ZD | COVER COMP., FAN *R280 *   | 1       | 4142770        |
| 006 | 19612-ZK7-V00   | PLATE, SIDE                | 1       |                |
| 006 | 19612-ZK7-V00   | PLATE, SIDE                | 1       |                |
| 011 | 36100-ZH8-W41   | SWITCH ASSY., ENGINE STOP  | 1       | 2923169        |
| 011 | 36100-ZH8-W41   | SWITCH ASSY., ENGINE STOP  | 1       |                |
| 012 | 36101-ZE1-010   | CORD, STOP SWITCH (370MM)  | 1       |                |
| 014 | 90013-883-000   | BOLT, FLANGE, 6X12 (CT200) | 4       |                |
| 015 | 90022-888-010   | BOLT, FLANGE, 6X20 (CT200) | 1       |                |



| Ref | Partnumber    | Description                | GX120K1 | Serial Numbers |
|-----|---------------|----------------------------|---------|----------------|
| 002 | 16010-ZB1-015 | GASKET SET                 | 1       |                |
| 003 | 16011-ZE0-005 | VALVE SET, FLOAT           | 1       |                |
| 004 | 16013-ZE0-005 | FLOAT SET                  | 1       |                |
| 005 | 16015-ZE1-811 | CHAMBER SET, FLOAT         | 1       | BE12B B        |
| 005 | 16015-ZE1-811 | CHAMBER SET, FLOAT         | 1       |                |
| 007 | 16024-ZE1-811 | SCREW SET, DRAIN           | 1       |                |
| 008 | 16028-ZE0-005 | SCREW SET                  | 1       |                |
| 009 | 16044-ZE0-005 | CHOKE SET                  | 1       |                |
| 010 | 16100-ZK7-U31 | CARBURETOR ASSY. (BE62C A) | 1       | 6276050        |
| 010 | 16100-ZK7-U31 | CARBURETOR ASSY. (BE62C A) | 1       |                |
| 011 | 16124-ZE0-005 | SCREW, THROTTLE STOP       | 1       |                |
| 012 | 16166-ZH7-A50 | NOZZLE, MAIN               | 1       |                |
| 012 | 16166-ZH7-A50 | NOZZLE, MAIN               | 1       |                |

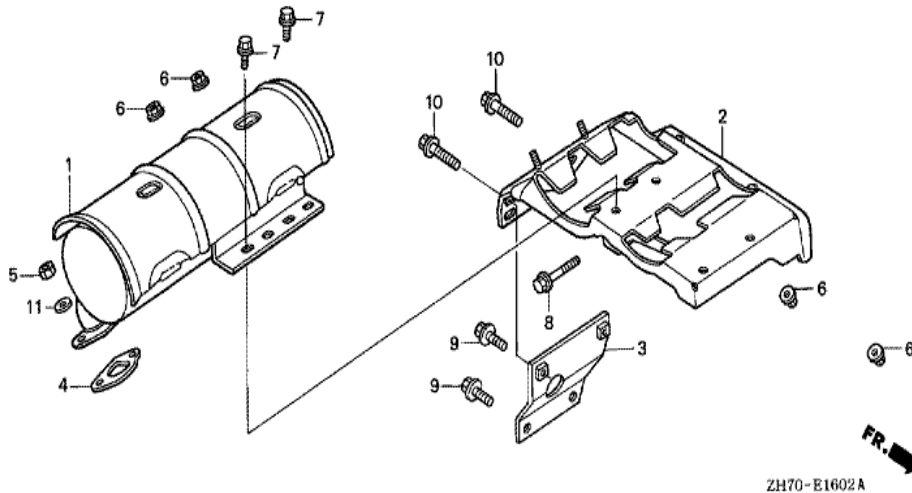
| <u>Ref</u> | <u>Partnumber</u> | <u>Description</u>                       | <u>GX120K1</u> | <u>Serial Numbers</u> |
|------------|-------------------|--|----------------|-----------------------|
| 013        | 16211-ZE0-000     | INSULATOR, CARBURETOR                    | 1              |                       |
| 014        | 16212-ZH7-800     | PACKING, INSULATOR                       | 1              |                       |
| 014        | 16212-ZH7-800     | PACKING, INSULATOR                       | 1              |                       |
| 015        | 16220-ZE1-020     | SPACER COMP., CARBURETOR                 | 1              |                       |
| 016        | 16221-ZH8-801     | PACKING, CARBURETOR                      | (1)            |                       |
| 016        | 16221-ZH8-801     | PACKING, CARBURETOR                      | 1              |                       |
| 019        | 16610-ZE1-000     | LEVER COMP., CHOKE (STD.)                | 1              |                       |
| 031        | 94305-20122       | PIN, SPRING, 2X12                        | 1              |                       |
| 032        | 99101-ZH80580     | JET, MAIN, #58                           | (1)            |                       |
| 032        | 99101-ZH80580     | JET, MAIN, #58                           | (1)            |                       |
| 032        | 99101-ZH80600     | JET, MAIN, #60                           | 1              | BE12B B BE12B C       |
| 032        | 99101-ZH80600     | JET, MAIN, #60                           | (1)            |                       |
| 032        | 99101-ZH80620     | JET, MAIN, #62                           | 1              | BE61D B               |
| 032        | 99101-ZH80620     | JET, MAIN, #62                           | 1              |                       |
| 033        | 99204-ZE00350     | JET SET, PILOT, #35                      | 1              |                       |
| 034        | 16016-ZH7-W01     | SCREW SET, PILOT                         | 1              |                       |
| 035        | 16854-ZH8-000     | RUBBER, SUPPORTER (107MM)                | 1              |                       |
| 036        | 95001-4540060     | TUBE, FUEL, 4.5X400 (95001-450 (95001-45 | 1              |                       |
| 037        | 95002-4080008     | CLAMP, TUBE (D8)                         | 2              |                       |



ZH70-E1500A

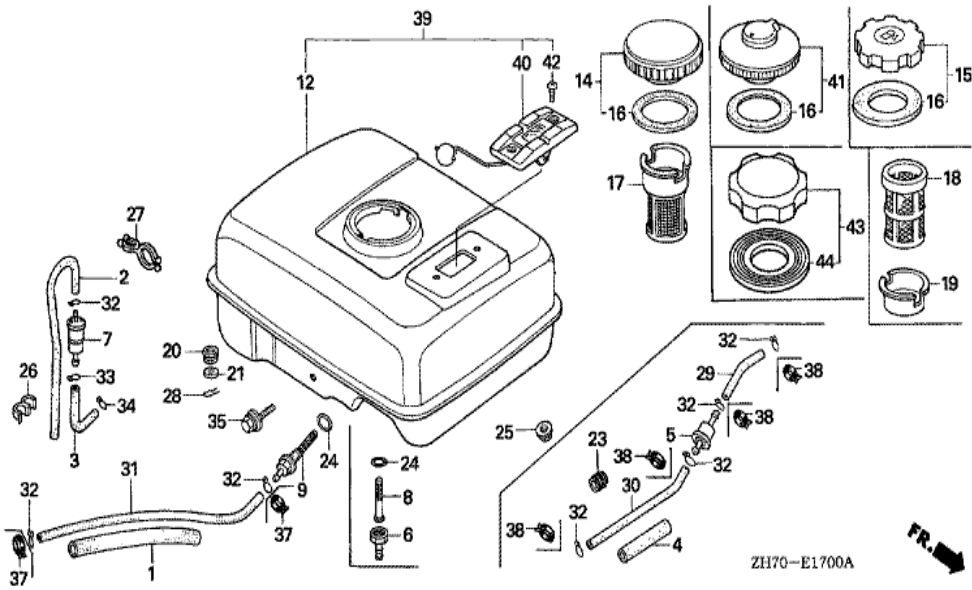
FR. →

| Ref | Partnumber    | Description                 | GX120K1 | Serial Numbers |
|-----|---------------|-----------------------------|---------|----------------|
| 001 | 16271-ZE1-000 | PACKING, ELBOW              | 1       |                |
| 002 | 17210-ZE0-822 | ELEMENT, AIR CLEANER (DUAL) | 1       |                |
| 003 | 17218-ZE0-821 | FILTER, OUTER               | 1       |                |
| 004 | 17230-ZE0-820 | COVER, AIR CLEANER (DUAL)   | 1       |                |
| 005 | 17232-891-000 | GROMMET, AIR CLEANER        | 1       |                |
| 007 | 17238-ZE0-010 | COLLAR, AIR CLEANER         | 2       |                |
| 008 | 17239-ZE1-000 | COLLAR B, AIR CLEANER       | 1       |                |
| 009 | 17410-ZE0-030 | ELBOW COMP., AIR CLEANER    | 1       |                |
| 012 | 90325-044-000 | NUT, TOOL BOX SETTING       | 1       | 2329087        |
| 012 | 90325-044-000 | NUT, TOOL BOX SETTING       | 2       |                |
| 013 | 95701-0602000 | BOLT, FLANGE, 6X20          | 1       |                |
| 014 | 94050-06000   | NUT, FLANGE, 6MM            | 2       |                |

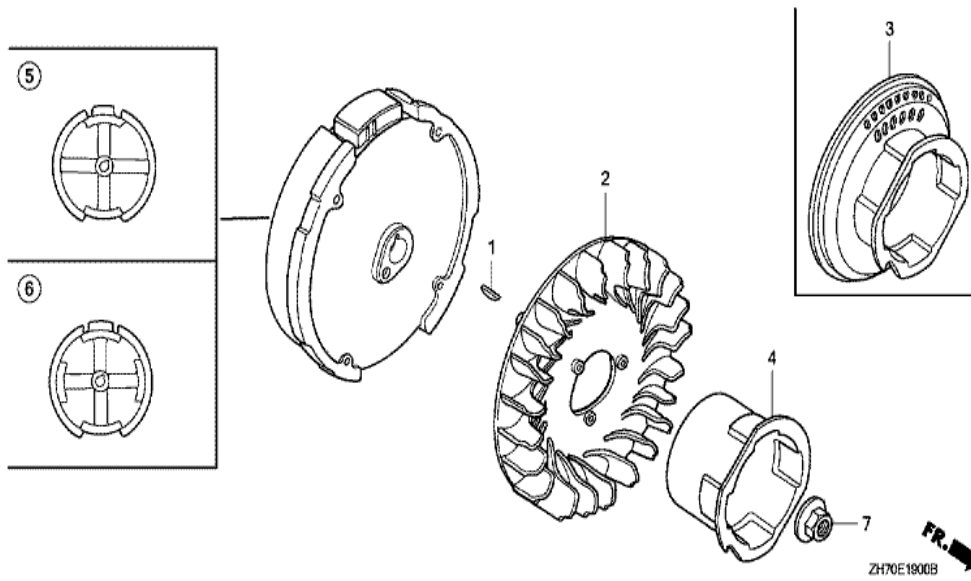


ZH70-E1602A

| Ref | Partnumber    | Description         | GX120K1 | Serial Numbers |
|-----|---------------|---------------------|---------|----------------|
| 001 | 18310-ZK7-V01 | MUFFLER COMP.       | 1       |                |
| 002 | 18338-ZK7-V00 | STAY COMP., MUFFLER | 1       |                |
| 004 | 18381-ZH8-800 | GASKET, MUFFLER     | 1       |                |
| 005 | 94001-080000S | NUT, HEX., 8MM      | 2       |                |
| 006 | 94050-06000   | NUT, FLANGE, 6MM    | 4       |                |
| 007 | 95701-0601600 | BOLT, FLANGE, 6X16  | 2       |                |
| 008 | 95701-0602500 | BOLT, FLANGE, 6X25  | 1       |                |
| 010 | 95701-0802000 | BOLT, FLANGE, 8X20  | 2       |                |
| 010 | 95701-0802000 | BOLT, FLANGE, 8X20  | 2       |                |

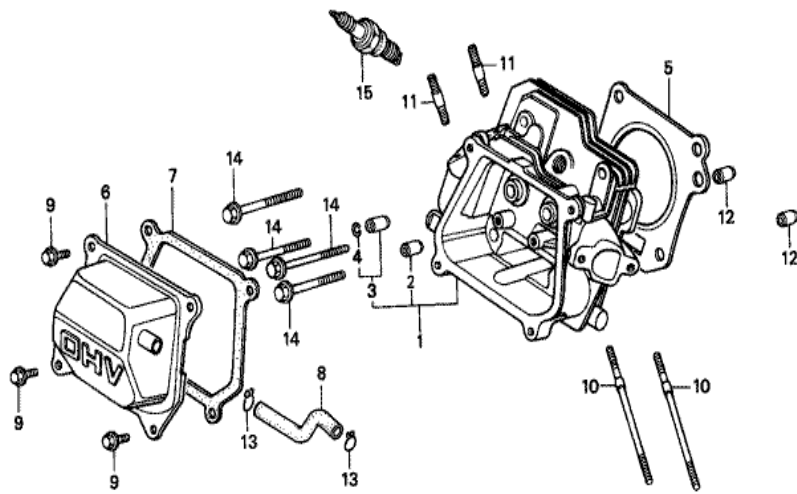


| Ref | Partnumber    | Description          | GX120K1 | Serial Numbers |
|-----|---------------|----------------------|---------|----------------|
| 002 | 16198-ZG0-U00 | TUBE A, AIR VENT     | 1       |                |
| 003 | 16199-KCR-000 | TUBE                 | 1       |                |
| 007 | 16910-ZG0-U02 | STRAINER COMP., FUEL | 1       | 3514172        |
| 007 | 16910-ZG0-U02 | STRAINER COMP., FUEL | 1       |                |
| 026 | 17205-PC6-000 | CLAMP, TUBE, 7.5X2   | 2       | 4312055        |
| 026 | 17205-PC6-000 | CLAMP, TUBE, 7.5X2   | 1       | 4312055        |
| 026 | 91403-750-800 | CLIP, DOUBLE         | 2       | 4312054        |
| 026 | 91403-750-800 | CLIP, DOUBLE         | 2       | 4312054        |
| 032 | 95002-02080   | CLIP, TUBE (B8)      | 1       |                |
| 033 | 95002-02100   | CLIP, TUBE (B10)     | 1       |                |
| 034 | 95002-50000   | CLIP, TUBE (C9)      | 1       |                |



| Ref | Partnumber    | Description                  | GX120K1 | Serial Numbers |
|-----|---------------|------------------------------|---------|----------------|
| 001 | 13331-357-000 | KEY, SPECIAL WOODRUFF, 25X18 | 1       |                |
| 002 | 19511-ZE0-000 | FAN, COOLING                 | 1       |                |
| 004 | 28451-ZH7-003 | PULLEY, STARTER              | 1       |                |
| 005 | 31100-ZE0-010 | FLYWHEEL COMP.               | (1)     |                |
| 005 | 31100-ZE0-010 | FLYWHEEL COMP.               | 1       |                |
| 007 | 90201-878-003 | NUT, SPECIAL, 14MM           | 1       |                |

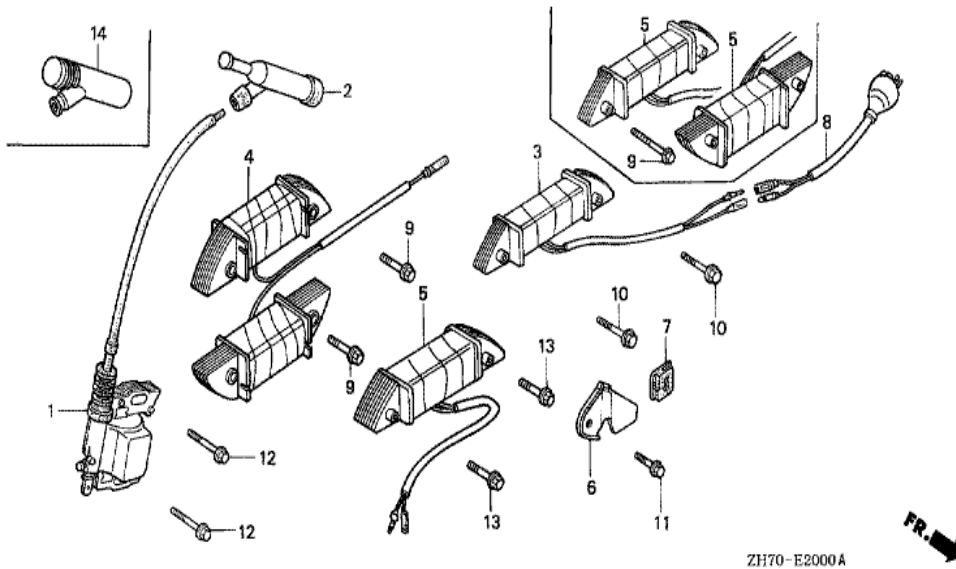




ZH70-B0200



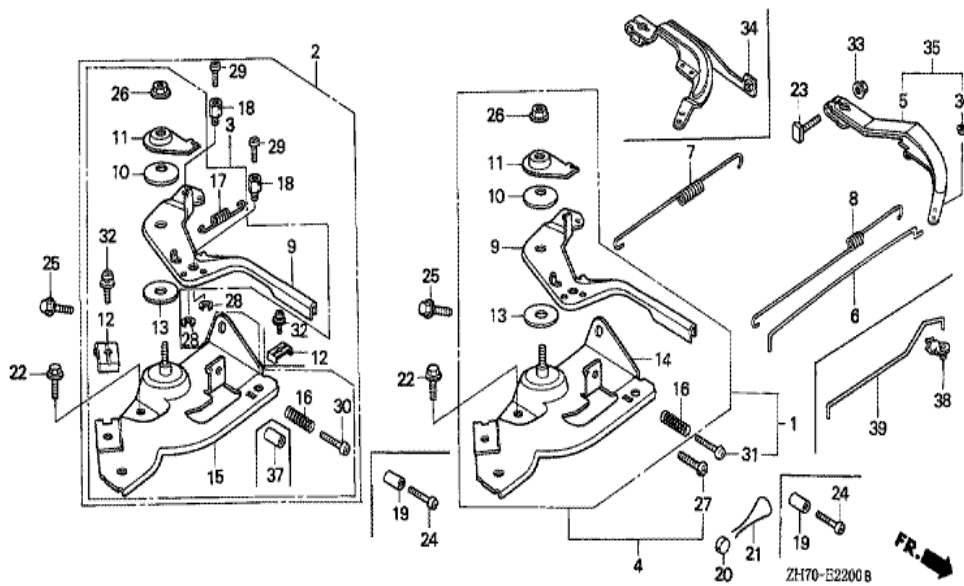
| <u>Ref</u> | <u>Partnumber</u> | <u>Description</u>             | <u>GX120K1</u> | <u>Serial Numbers</u> |
|------------|-------------------|--------------------------------|----------------|-----------------------|
| 001        | 12210-ZH7-405     | HEAD COMP., CYLINDER           | 1              |                       |
| 001        | 12210-ZH7-405     | HEAD COMP., CYLINDER           | 1              |                       |
| 002        | 12204-ZE1-306     | GUIDE, IN. VALVE (OS)          | (1)            | 2156735               |
| 002        | 12204-ZE1-306     | GUIDE, IN. VALVE (OS)          | (1)            |                       |
| 003        | 12205-ZE1-315     | GUIDE, EX. VALVE (OS)          | (1)            |                       |
| 004        | 12216-ZE5-300     | CLIP, VALVE GUIDE              | 1              |                       |
| 005        | 12251-ZH7-800     | GASKET, CYLINDER HEAD          | 1              | 2157160               |
| 005        | 12251-ZH7-800     | GASKET, CYLINDER HEAD          | 1              |                       |
| 006        | 12310-ZE1-020     | COVER COMP., HEAD              | 1              | 3909675               |
| 006        | 12310-ZE1-020     | COVER COMP., HEAD              | 1              |                       |
| 007        | 12391-ZE1-000     | PACKING, HEAD COVER            | 1              |                       |
| 008        | 15721-ZH8-000     | TUBE, BREATHER                 | 1              |                       |
| 008        | 15721-ZH8-000     | TUBE, BREATHER                 | 1              |                       |
| <u>Ref</u> | <u>Partnumber</u> | <u>Description</u>             | <u>GX120K1</u> | <u>Serial Numbers</u> |
| 009        | 90013-883-000     | BOLT, FLANGE, 6X12 (CT200)     | 4              |                       |
| 009        | 90013-883-000     | BOLT, FLANGE, 6X12 (CT200)     | 4              | 2299857               |
| 010        | 90043-ZE1-020     | BOLT, STUD, 6X112              | 2              | 2400126               |
| 010        | 90043-ZE1-020     | BOLT, STUD, 6X112              | 2              |                       |
| 011        | 90047-ZE1-000     | BOLT, STUD, 8X32               | 2              |                       |
| 012        | 94301-10160       | DOWEL PIN, 10X16               | 2              |                       |
| 014        | 95723-0805500     | BOLT, FLANGE, 8X55             | 4              |                       |
| 015        | 98079-54846       | PLUG, SPARK (BPR4ES) (NGK)     | 1              |                       |
| 015        | 98079-54846       | PLUG, SPARK (BPR4ES) (NGK)     | 1              |                       |
| 015        | 98079-54855       | PLUG, SPARK (W14EPR-U) (DENSO) | 1              | 3235090               |
| 015        | 98079-54855       | PLUG, SPARK (W14EPR-U) (DENSO) | 1              |                       |



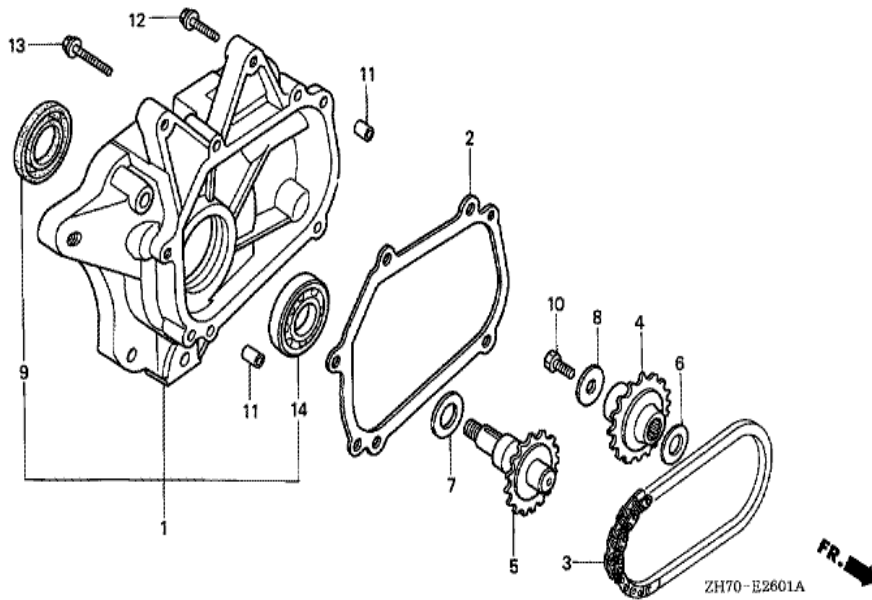
ZH70-E2000A



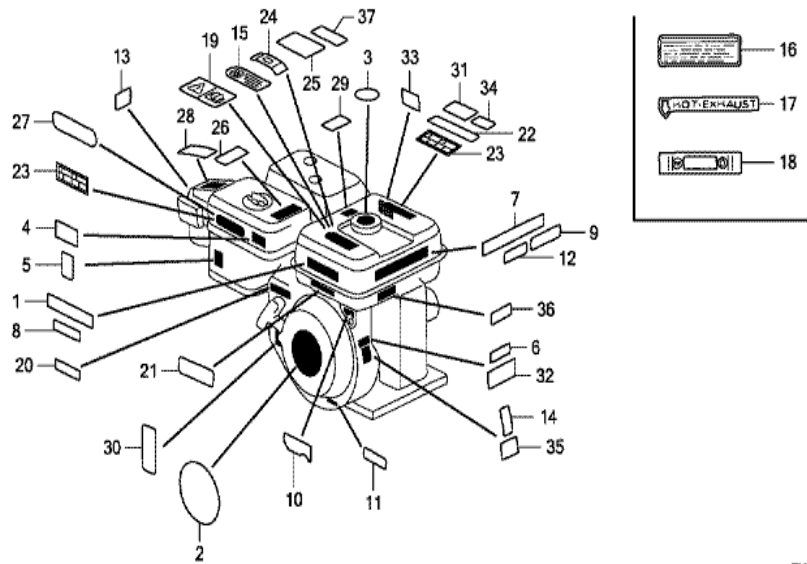
| Ref | Partnumber    | Description                               | GX120K1 | Serial Numbers |
|-----|---------------|---|---------|----------------|
| 001 | 30500-ZE1-033 | COIL ASSY., IGNITION                      | 1       | 2400126        |
| 001 | 30500-ZE1-033 | COIL ASSY., IGNITION                      | 1       | 4075104        |
| 001 | 30500-ZE1-043 | COIL ASSY., IGNITION                      | 1       | 4075105        |
| 001 | 30500-ZE1-043 | COIL ASSY., IGNITION                      | 1       | 4075105        |
| 002 | 30700-ZE1-013 | CAP ASSY., NOISE SUPPRESSOR (NICHIIWA Y-E | 1       | 3491425        |
| 002 | 30700-ZE1-013 | CAP ASSY., NOISE SUPPRESSOR (NICHIIWA Y-E | 1       |                |
| 012 | 90121-952-000 | BOLT, FLANGE, 6X25 (CT200)                | 2       |                |



| Ref | Partnumber    | Description                | GX120K1 | Serial Numbers |
|-----|---------------|----------------------------|---------|----------------|
| 002 | 16570-ZE0-S10 | CONTROL ASSY.              | 1       | 3418989        |
| 002 | 16570-ZE0-S10 | CONTROL ASSY.              | 1       |                |
| 006 | 16555-ZE0-000 | ROD, GOVERNOR              | 1       |                |
| 007 | 16561-ZE0-020 | SPRING, GOVERNOR           | 1       |                |
| 008 | 16562-ZE0-020 | SPRING, THROTTLE RETURN    | 1       |                |
| 009 | 16571-ZE0-S10 | LEVER, CONTROL             | 1       |                |
| 009 | 16571-ZE0-S10 | LEVER, CONTROL             | 1       |                |
| 010 | 16574-ZE1-000 | SPRING, LEVER              | 1       |                |
| 011 | 16575-ZH8-000 | WASHER, CONTROL LEVER      | 1       |                |
| 012 | 16576-891-000 | HOLDER, CABLE              | 1       |                |
| 013 | 16578-ZE1-000 | SPACER, CONTROL LEVER      | 1       |                |
| 015 | 16580-ZH7-810 | BASE COMP., CONTROL (###)  | 1       |                |
| 015 | 16580-ZH7-810 | BASE COMP., CONTROL (###)  | 1       | 3303356        |
| Ref | Partnumber    | Description                | GX120K1 | Serial Numbers |
| 016 | 16584-883-300 | SPRING, CONTROL ADJUSTING  | 1       |                |
| 017 | 16592-ZE1-810 | SPRING, CABLE RETURN       | 1       |                |
| 018 | 16594-883-010 | HOLDER, WIRE               | 1       |                |
| 022 | 90013-883-000 | BOLT, FLANGE, 6X12 (CT200) | 1       |                |
| 023 | 90015-ZE5-010 | BOLT, GOVERNOR ARM         | 1       |                |
| 025 | 90022-888-010 | BOLT, FLANGE, 6X20 (CT200) | 1       |                |
| 026 | 90114-SA0-000 | NUT, SELF-LOCK, 6MM        | 1       |                |
| 028 | 90605-230-000 | CIRCLIP, 5MM               | 1       |                |
| 029 | 93500-040060H | SCREW, PAN, 4X6            | 1       |                |
| 030 | 93500-050250H | SCREW, PAN, 5X25           | (1)     |                |
| 030 | 93500-050250H | SCREW, PAN, 5X25           | 1       |                |
| 032 | 93500-050160A | SCREW, PAN, 5X16           | 1       |                |
| 032 | 93500-050160A | SCREW, PAN, 5X16           | 1       | 2308557        |
| 033 | 94050-06000   | NUT, FLANGE, 6MM           | 1       |                |
| 035 | 16550-ZK7-V00 | ARM COMP., GOVERNOR        | 1       |                |
| 036 | 16552-896-650 | COLLAR, LEVER              | 1       |                |

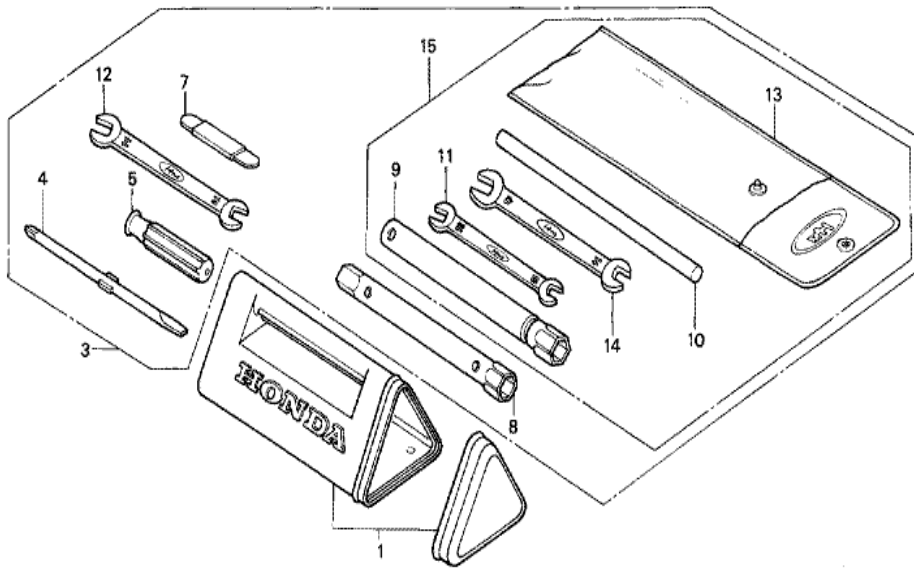


| <u>Ref</u> | <u>Partnumber</u> | <u>Description</u>         | <u>GX120K1</u> | <u>Serial Numbers</u> |
|------------|-------------------|----------------------------|----------------|-----------------------|
| 001        | 11500-ZK7-V00     | COVER ASSY., CHAIN CASE    | 1              |                       |
| 002        | 11521-ZK7-V00     | PACKING, CHAIN CASE COVER  | 1              |                       |
| 003        | 14411-ZK7-V01     | CHAIN, P.T.O. DRIVE        | 1              |                       |
| 004        | 23121-ZK7-V00     | SPROCKET, DRIVE (17T)      | 1              |                       |
| 005        | 23151-ZK7-V00     | SHAFT, P.T.O. (16T)        | 1              |                       |
| 006        | 90454-428-000     | WASHER, THRUST, 20MM       | 1              |                       |
| 007        | 90456-ZE1-000     | SPRING, THRUST             | 1              |                       |
| 008        | 90471-ZE1-610     | WASHER, 8MM                | 1              |                       |
| 009        | 91252-888-003     | OIL SEAL, 25X38X7 (ARAI)   | 1              |                       |
| 010        | 92101-080250A     | BOLT, HEX., 8X25           | 1              |                       |
| 011        | 94303-08140       | DOWEL PIN, 8X14            | 2              |                       |
| 012        | 95701-0803500     | BOLT, FLANGE, 8X35         | 4              |                       |
| 013        | 95701-0805500     | BOLT, FLANGE, 8X55         | 1              |                       |
| <u>Ref</u> | <u>Partnumber</u> | <u>Description</u>         | <u>GX120K1</u> | <u>Serial Numbers</u> |
| 014        | 96100-6005000     | BEARING, RADIAL BALL, 6005 | 1              |                       |



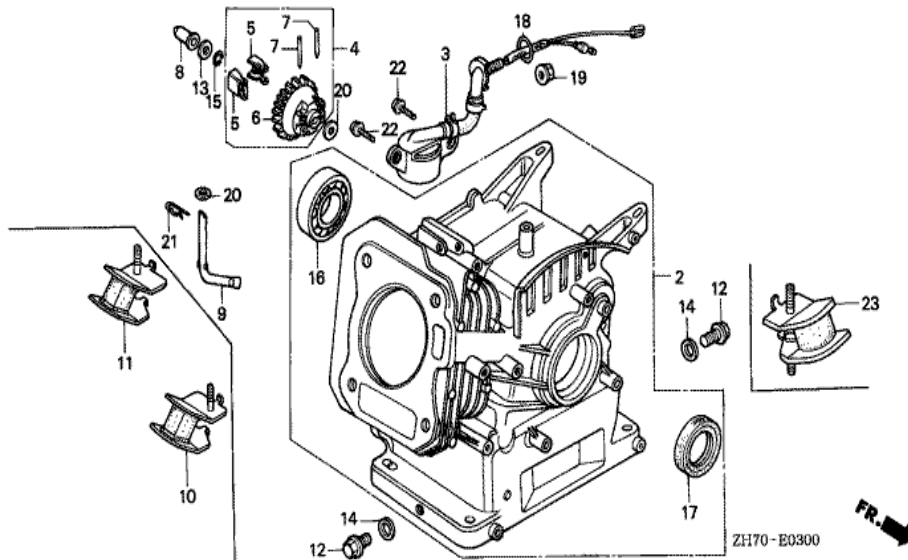
ZH70E2800E

| Ref | Partnumber    | Description                              | GX120K1 | Serial Numbers  |
|-----|---------------|--|---------|-----------------|
| 002 | 87521-ZH7-020 | EMBLEM (4.0)                             | 1       | 3841371 4142243 |
| 002 | 87521-ZH7-020 | EMBLEM (4.0)                             | 1       | 4142243         |
| 002 | 87521-ZH7-030 | EMBLEM (4.0)                             | 1       | 4142244         |
| 002 | 87521-ZH7-030 | EMBLEM (4.0)                             | 1       | 4142244         |
| 005 | 87528-733-E90 | MARK, CHOKE (H=36)                       | 1       |                 |
| 005 | 87528-733-E90 | MARK, CHOKE (H=36)                       | 1       | 2476408         |
| 019 | 87522-ZH8-W40 | MARK, CAUTION (PICTOGRAPH)               | 1       |                 |
| 021 | 87135-ZE2-000 | LABEL, E-SPEC (HONDA) (EPA STANDARD) (15 | 1       |                 |

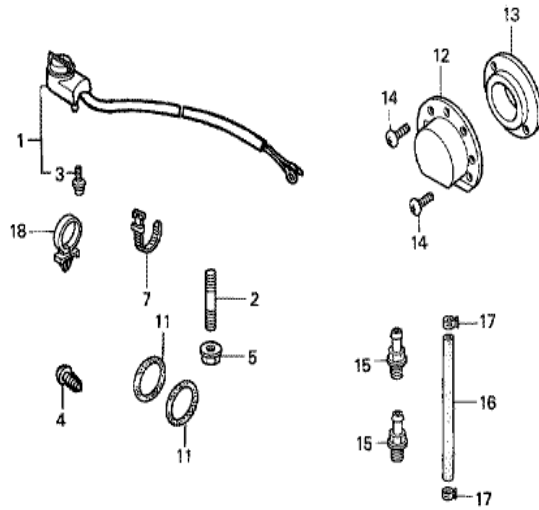


ZH70-E2901

| Ref | Partnumber    | Description              | GX120K1 | Serial Numbers |
|-----|---------------|--------------------------|---------|----------------|
| 009 | 89218-ZE1-000 | WRENCH COMP., SPARK PLUG | 1       |                |



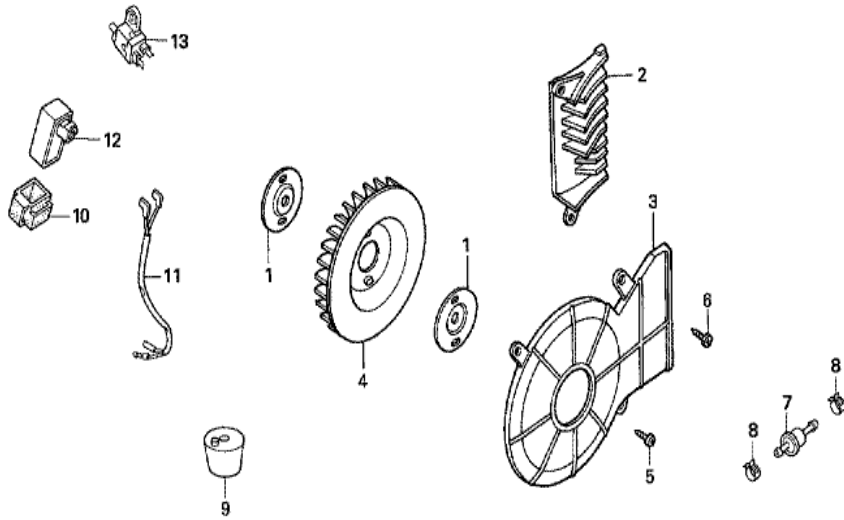
| Ref | Partnumber    | Description                | GX120K1 | Serial Numbers |
|-----|---------------|----------------------------|---------|----------------|
| 002 | 12000-ZF0-415 | BARREL ASSY., CYLINDER     | (1)     | 4205163        |
| 002 | 12000-ZF0-415 | BARREL ASSY., CYLINDER     | 1       | 4205163        |
| 002 | 12000-ZF0-425 | BARREL ASSY., CYLINDER     | 1       | 4205164        |
| 002 | 12000-ZF0-425 | BARREL ASSY., CYLINDER     | 1       | 4205164        |
| 004 | 16510-ZE1-000 | GOVERNOR ASSY.             | 1       |                |
| 005 | 16511-ZE1-000 | WEIGHT, GOVERNOR           | 2       |                |
| 006 | 16512-ZE1-000 | HOLDER, GOVERNOR WEIGHT    | 1       |                |
| 007 | 16513-ZE1-000 | PIN, GOVERNOR WEIGHT       | 2       |                |
| 008 | 16531-ZE1-000 | SLIDER, GOVERNOR           | 1       |                |
| 009 | 16541-ZE1-000 | SHAFT, GOVERNOR ARM        | 1       |                |
| 012 | 90131-ZE1-000 | BOLT, DRAIN PLUG           | 2       |                |
| 013 | 90451-ZE1-000 | WASHER, THRUST, 6MM        | 1       |                |
| 014 | 90601-ZE1-000 | WASHER, DRAIN PLUG, 10.2MM | 2       |                |
| Ref | Partnumber    | Description                | GX120K1 | Serial Numbers |
| 015 | 90602-ZE1-000 | CLIP, GOVERNOR HOLDER      | 1       |                |
| 016 | 91001-878-003 | BEARING, RADIAL BALL,      | 1       |                |
| 017 | 91202-ZE6-003 | OIL SEAL, 22X35X6          | 1       |                |
| 017 | 91202-ZE6-003 | OIL SEAL, 22X35X6          | 1       | 4205163        |
| 017 | 91202-ZE6-013 | OIL SEAL, 22X35X6          | 1       | 4205164        |
| 017 | 91202-ZE6-013 | OIL SEAL, 22X35X6          | 1       | 4205164        |
| 020 | 94101-06800   | WASHER, PLAIN, 6MM         | 2       |                |
| 021 | 94251-08000   | PIN, LOCK, 8MM             | 1       |                |



ZH70-B40008

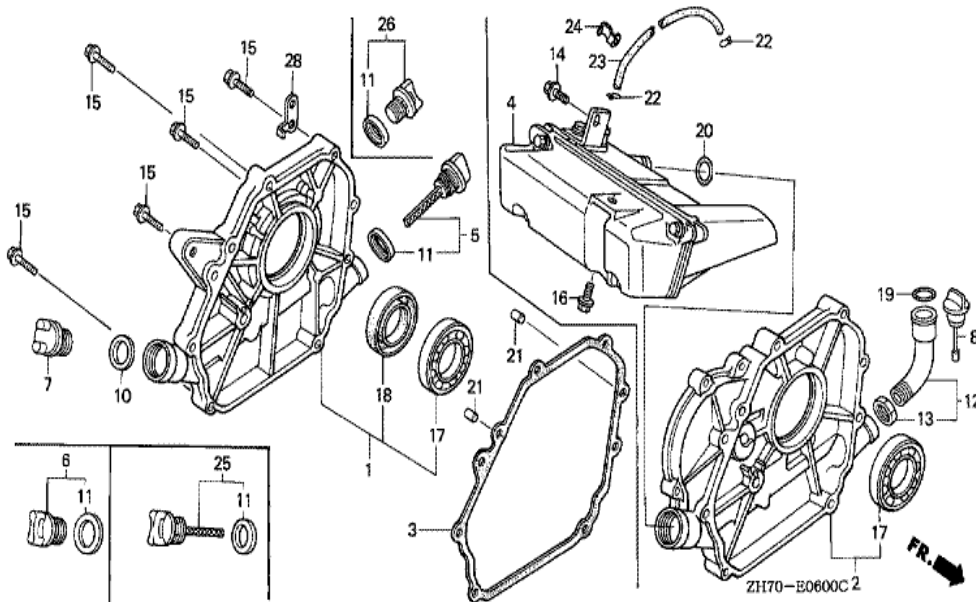
| Ref | Partnumber    | Description       | GX120K1 | Serial Numbers |
|-----|---------------|-------------------|---------|----------------|
| 002 | 90001-ZK7-V00 | BOLT, STUD, 10X32 | 3       |                |
| 002 | 90002-ZK7-V00 | BOLT, STUD, 10X60 | 1       |                |
| 002 | 90002-ZK7-V00 | BOLT, STUD, 10X60 | 1       |                |
| 005 | 94050-10000   | NUT, FLANGE, 10MM | 4       |                |



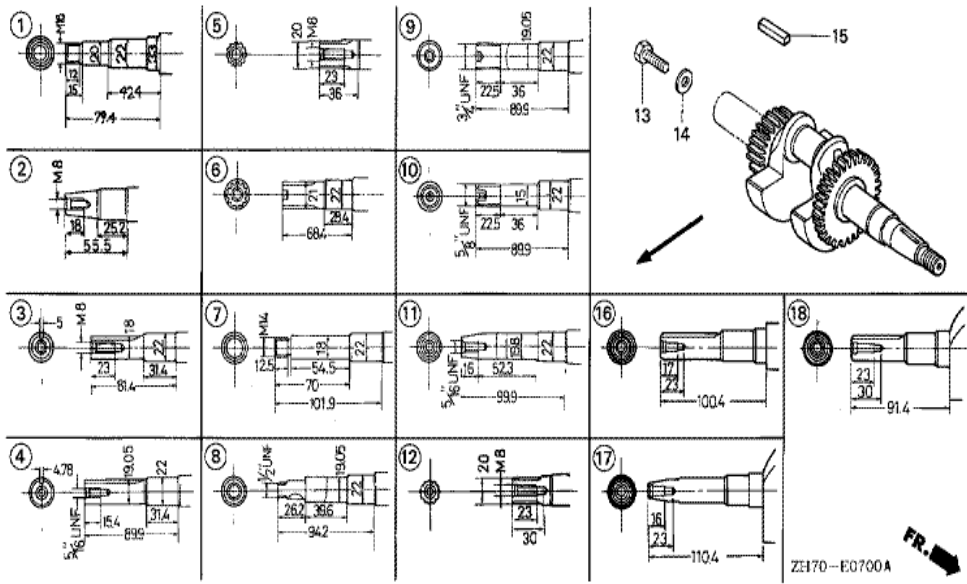


ZH70-E4002A

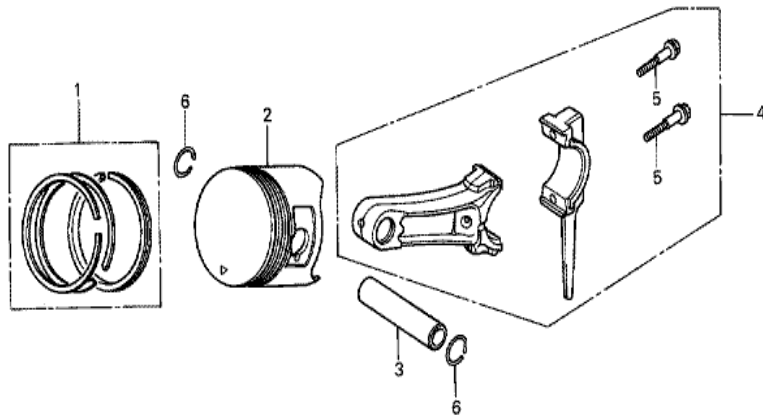
| Ref | Partnumber    | Description          | GX120K1 | Serial Numbers |
|-----|---------------|----------------------|---------|----------------|
| 007 | 16910-GB2-005 | STRAINER COMP., FUEL | 1       |                |
| 008 | 95002-4085008 | CLAMP, TUBE (D8.5)   | 2       |                |



| <u>Ref</u> | <u>Partnumber</u> | <u>Description</u>              | <u>GX120K1</u> | <u>Serial Numbers</u> |
|------------|-------------------|---------------------------------|----------------|-----------------------|
| 002        | 11300-ZK7-V00     | COVER ASSY., CRANKCASE          | 1              |                       |
| 002        | 11300-ZK7-V00     | COVER ASSY., CRANKCASE          | 1              |                       |
| 003        | 11381-ZK7-V00     | PACKING, CASE COVER             | 1              |                       |
| 003        | 11381-ZK7-V00     | PACKING, CASE COVER             | 1              |                       |
| 004        | 15500-ZK7-V00     | TANK ASSY., OIL                 | 1              |                       |
| 005        | 15600-ZE1-003     | CAP ASSY., OIL FILLER (GRAY)    | 1              | 2354643               |
| 005        | 15600-ZE1-003     | CAP ASSY., OIL FILLER (GRAY)    | 1              |                       |
| 011        | 15625-ZE1-003     | PACKING, OIL FILLER CAP         | 2              | 2354643               |
| 011        | 15625-ZE1-003     | PACKING, OIL FILLER CAP         | 1              |                       |
| 014        | 90014-952-000     | BOLT, FLANGE, 6X14 (CT200)      | 1              |                       |
| 015        | 90015-883-000     | BOLT, FLANGE, 6X28 (CT200)      | 7              |                       |
| 016        | 90029-888-000     | BOLT, FLANGE, 6X16 (CT200)      | 1              |                       |
| 017        | 91001-878-003     | BEARING, RADIAL BALL,           | 1              |                       |
| <u>Ref</u> | <u>Partnumber</u> | <u>Description</u>              | <u>GX120K1</u> | <u>Serial Numbers</u> |
| 020        | 91304-MJ0-003     | O-RING, 15.8X2.4 (SHOWA)        | 1              |                       |
| 021        | 94303-08140       | DOWEL PIN, 8X14                 | 2              |                       |
| 021        | 94303-08140       | DOWEL PIN, 8X14                 | 2              |                       |
| 022        | 95002-02070       | CLIP, TUBE (B7)                 | 2              |                       |
| 023        | 95005-3515010     | TUBE, 3.5X150 (95005-35001-10M) | 1              |                       |



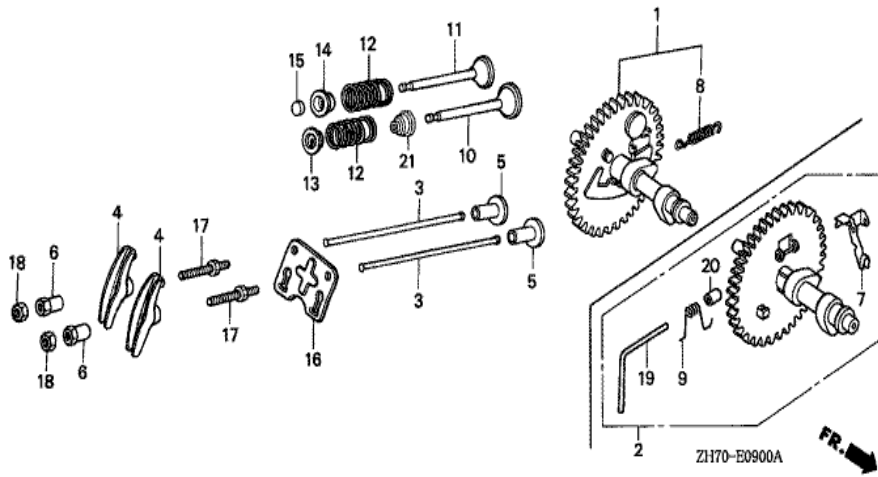
| Ref | Partnumber    | Description      | GX120K1 | Serial Numbers |
|-----|---------------|------------------|---------|----------------|
| 012 | 13310-ZK7-V00 | CRANKSHAFT COMP. | 1       |                |



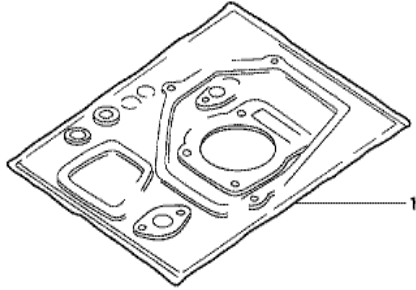
ZH70-E0800



| <u>Ref</u> | <u>Partnumber</u> | <u>Description</u>                 | <u>GX120K1</u> | <u>Serial Numbers</u> |
|------------|-------------------|------------------------------------|----------------|-----------------------|
| 001        | 13010-ZH7-003     | RING SET, PISTON (STD.) (TEIKOKU)  | 1              | 3993726               |
| 001        | 13010-ZH7-003     | RING SET, PISTON (STD.) (TEIKOKU)  | 1              |                       |
| 001        | 13010-ZH7-004     | RING SET, PISTON (STD.) (NIPPON)   | 1              | 3993726               |
| 001        | 13010-ZH7-004     | RING SET, PISTON (STD.) (NIPPON)   | 1              |                       |
| 001        | 13011-ZH7-003     | RING SET, PISTON (0.25) (TEIKOKU)  | (1)            | 3993726               |
| 001        | 13011-ZH7-003     | RING SET, PISTON (0.25) (TEIKOKU)  | (1)            |                       |
| 001        | 13011-ZH7-004     | RING SET, PISTON (0.25) (NIPPON)   | (1)            | 3993726               |
| 001        | 13011-ZH7-004     | RING SET, PISTON (0.25) (NIPPON)   | (1)            |                       |
| 001        | 13012-ZH7-003     | RING SET, PISTON (0.50) (TEIKOKU)  | (1)            | 3993726               |
| 001        | 13012-ZH7-003     | RING SET, PISTON (0.50) (TEIKOKU)  | (1)            |                       |
| 001        | 13012-ZH7-004     | RING SET, PISTON (0.50) (NIPPON)   | (1)            | 3993726               |
| 001        | 13012-ZH7-004     | RING SET, PISTON (0.50) (NIPPON)   | (1)            |                       |
| 001        | 13013-ZH7-003     | RING SET, PISTON (0.75) (TEIKOKU)  | (1)            | 3993726               |
| <u>Ref</u> | <u>Partnumber</u> | <u>Description</u>                 | <u>GX120K1</u> | <u>Serial Numbers</u> |
| 001        | 13013-ZH7-003     | RING SET, PISTON (0.75) (TEIKOKU)  | (1)            |                       |
| 001        | 13013-ZH7-004     | RING SET, PISTON (0.75) (NIPPON)   | (1)            | 3993726               |
| 001        | 13013-ZH7-004     | RING SET, PISTON (0.75) (NIPPON)   | (1)            |                       |
| 002        | 13101-ZH7-010     | PISTON (STD.)                      | 1              | 3993726               |
| 002        | 13101-ZH7-010     | PISTON (STD.)                      | 1              |                       |
| 002        | 13102-ZH7-010     | PISTON (0.25)                      | (1)            | 3993726               |
| 002        | 13102-ZH7-010     | PISTON (0.25)                      | (1)            |                       |
| 002        | 13103-ZH7-010     | PISTON (0.50)                      | (1)            | 3993726               |
| 002        | 13103-ZH7-010     | PISTON (0.50)                      | (1)            |                       |
| 002        | 13104-ZH7-010     | PISTON (0.75)                      | (1)            | 3993726               |
| 002        | 13104-ZH7-010     | PISTON (0.75)                      | (1)            |                       |
| 003        | 13111-ZE0-000     | PIN, PISTON                        | 1              |                       |
| 004        | 13200-ZE0-000     | ROD ASSY., CONNECTING              | 1              |                       |
| 004        | 132A0-ZE0-000     | ROD ASSY., CONNECTING (UNDER SIZE) | (1)            |                       |
| 005        | 90001-ZE1-000     | BOLT, CONNECTING ROD               | 2              |                       |
| 006        | 90551-ZE0-000     | CLIP, PISTON PIN, 13MM             | 2              |                       |



| <u>Ref</u> | <u>Partnumber</u> | <u>Description</u>         | <u>GX120K1</u> | <u>Serial Numbers</u> |
|------------|-------------------|----------------------------|----------------|-----------------------|
| 001        | 14100-ZH7-B20     | CAMSHAFT ASSY.             | 1              |                       |
| 001        | 14100-ZH7-B20     | CAMSHAFT ASSY.             | 1              |                       |
| 003        | 14410-ZE0-010     | ROD, PUSH                  | 2              |                       |
| 004        | 14431-ZE1-000     | ARM, VALVE ROCKER          | 2              |                       |
| 005        | 14441-ZE1-010     | LIFTER, VALVE              | 2              | 2828019               |
| 005        | 14441-ZE1-010     | LIFTER, VALVE              | 2              |                       |
| 006        | 14451-ZE1-013     | PIVOT, ROCKER ARM          | 2              |                       |
| 006        | 14451-ZE1-013     | PIVOT, ROCKER ARM          | 2              |                       |
| 008        | 14568-ZE1-000     | SPRING, WEIGHT RETURN      | 1              |                       |
| 010        | 14711-ZF0-010     | VALVE, IN.                 | 1              |                       |
| 011        | 14721-ZF0-000     | VALVE, EX.                 | (1)            |                       |
| 011        | 14721-ZF0-000     | VALVE, EX.                 | 1              |                       |
| 012        | 14751-ZF1-000     | SPRING, VALVE              | 2              |                       |
| <u>Ref</u> | <u>Partnumber</u> | <u>Description</u>         | <u>GX120K1</u> | <u>Serial Numbers</u> |
| 013        | 14771-ZE1-000     | RETAINER, IN. VALVE SPRING | 1              |                       |
| 014        | 14773-ZE1-000     | RETAINER, EX. VALVE SPRING | 1              |                       |
| 015        | 14781-ZE1-000     | ROTATOR, VALVE             | 1              |                       |
| 016        | 14791-ZE0-010     | PLATE, PUSH ROD GUIDE      | 1              |                       |
| 017        | 90012-ZE0-010     | BOLT, PIVOT, 8MM           | 2              |                       |
| 018        | 90206-ZE1-000     | NUT, PIVOT ADJUSTING       | 2              |                       |
| 021        | 12209-ZH8-003     | SEAL, VALVE STEM           | 1              |                       |



HENG-X0003

| <u>Ref</u> | <u>Partnumber</u> | <u>Description</u> | <u>GX120K1</u> | <u>Serial Numbers</u> |
|------------|-------------------|--------------------|----------------|-----------------------|
| 001        | 06111-ZK7-V00     | GASKET KIT         | 1              |                       |
| 001        | 06111-ZK7-V00     | GASKET KIT         | 1              |                       |