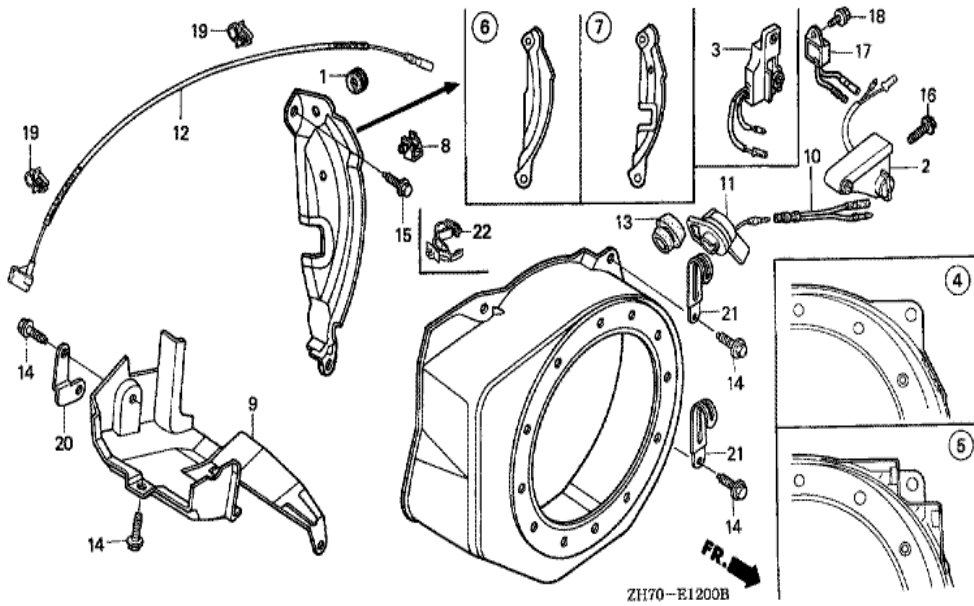
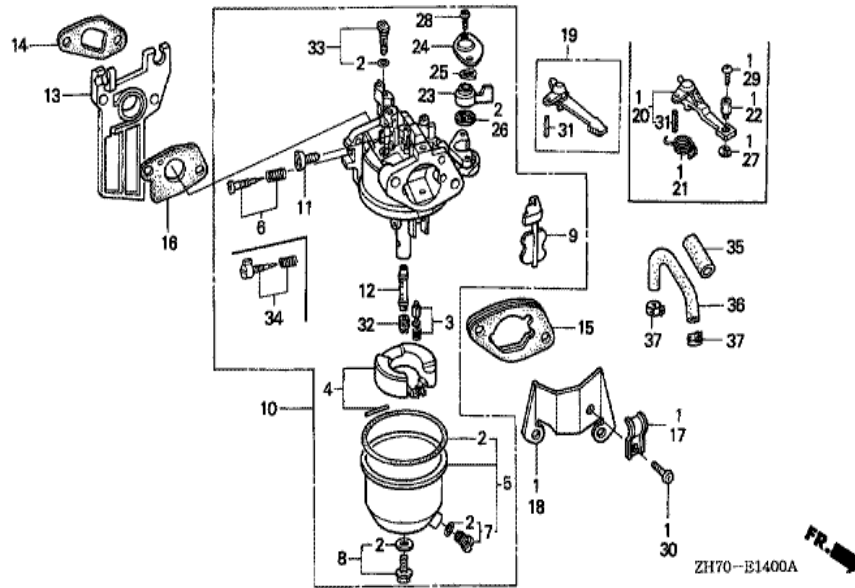


<u>Ref</u>	<u>Partnumber</u>	<u>Description</u>	<u>GX120K1</u>	<u>Serial Numbers</u>
001	28400-ZH8-013YA	STARTER ASSY., RECOIL *R280 *	1	4142274
001	28400-ZH8-013ZA	STARTER ASSY., RECOIL *R8 *	1	4142273
001	28400-ZH8-013ZA	STARTER ASSY., RECOIL *R8 *	1	4142273
001	28400-ZH8-013ZB	STARTER ASSY., RECOIL *NH1 *	1	
001	28400-ZH8-013ZB	STARTER ASSY., RECOIL *NH1 *	1	
002	28410-ZH8-003YA	CASE COMP., RECOIL STARTER *R280 *	1	4142274
002	28410-ZH8-003ZA	CASE COMP., RECOIL STARTER *R8 *	1	4142273
002	28410-ZH8-003ZA	CASE COMP., RECOIL STARTER *R8 *	1	4142273
002	28410-ZH8-003ZB	CASE COMP., RECOIL STARTER *NH1 *	1	
002	28410-ZH8-003ZB	CASE COMP., RECOIL STARTER *NH1 *	1	
003	28420-ZH8-013	REEL, RECOIL STARTER (NATURAL)	1	2169650
003	28420-ZH8-013	REEL, RECOIL STARTER (NATURAL)	1	
004	28422-ZH8-013	RATCHET, STARTER	2	2169650
<u>Ref</u>	<u>Partnumber</u>	<u>Description</u>	<u>GX120K1</u>	<u>Serial Numbers</u>
004	28422-ZH8-013	RATCHET, STARTER	2	
005	28433-ZH8-003	GUIDE, RATCHET	1	
006	28441-ZH8-003	SPRING, FRICTION	1	
007	28442-ZH8-003	SPRING, RECOIL STARTER	1	
008	28443-ZH8-003	SPRING, RETURN	2	
009	28461-ZH8-003	GRIP, STARTER	1	
010	28462-ZH8-003	ROPE, RECOIL STARTER	1	
012	90003-ZH8-003	SCREW, SETTING	1	
013	90008-ZE2-003	BOLT, FLANGE, 6X10	3	
013	90008-ZE2-003	BOLT, FLANGE, 6X10	(3)	

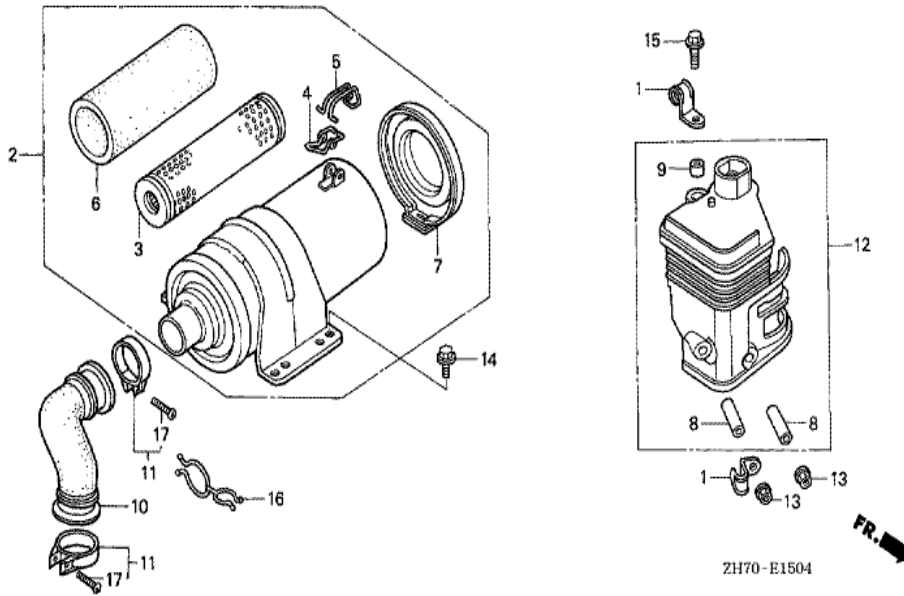


<u>Ref</u>	<u>Partnumber</u>	<u>Description</u>	<u>GX120K1</u>	<u>Serial Numbers</u>
001	11347-371-300	GROMMET, ADJUSTING COVER	1	
004	19610-ZK7-V00ZA	COVER COMP., FAN *R8 *	1	4142769
004	19610-ZK7-V00ZA	COVER COMP., FAN *R8 *	1	4142769
004	19610-ZK7-V00ZB	COVER COMP., FAN *T73 *	1	
004	19610-ZK7-V00ZB	COVER COMP., FAN *T73 *	1	
004	19610-ZK7-V00ZC	COVER COMP., FAN *NH1 *	1	
004	19610-ZK7-V00ZC	COVER COMP., FAN *NH1 *	1	
004	19610-ZK7-V00ZD	COVER COMP., FAN *R280 *	1	4142770
004	19610-ZK7-V00ZD	COVER COMP., FAN *R280 *	1	4142770
006	19612-ZK7-V00	PLATE, SIDE	1	
006	19612-ZK7-V00	PLATE, SIDE	1	
011	36100-ZE1-015	SWITCH ASSY., ENGINE STOP	1	2867760
011	36100-ZE1-015	SWITCH ASSY., ENGINE STOP	1	
<u>Ref</u>	<u>Partnumber</u>	<u>Description</u>	<u>GX120K1</u>	<u>Serial Numbers</u>
012	36101-ZE1-010	CORD, STOP SWITCH (370MM)	1	
015	90022-888-010	BOLT, FLANGE, 6X20 (CT200)	1	

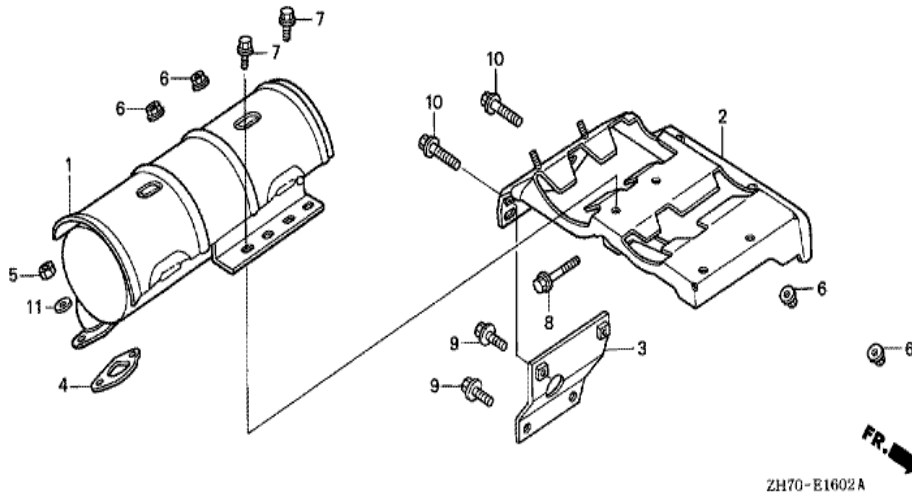


Ref	Partnumber	Description	GX120K1	Serial Numbers
002	16010-ZB1-015	GASKET SET	1	
002	16010-ZB1-015	GASKET SET	2	
003	16011-ZE0-005	VALVE SET, FLOAT	1	
003	16011-ZE0-005	VALVE SET, FLOAT	2	
004	16013-ZE0-005	FLOAT SET	1	
004	16013-ZE0-005	FLOAT SET	2	
005	16015-ZE1-811	CHAMBER SET, FLOAT	1	BE12B B
005	16015-ZE1-811	CHAMBER SET, FLOAT	1	
005	16015-ZE1-811	CHAMBER SET, FLOAT	2	
006	16016-ZE0-005	SCREW SET, PILOT	1	
006	16016-ZE0-005	SCREW SET, PILOT	1	BE62A A
007	16024-ZE1-811	SCREW SET, DRAIN	1	
007	16024-ZE1-811	SCREW SET, DRAIN	2	

<u>Ref</u>	<u>Partnumber</u>	<u>Description</u>	<u>GX120K1</u>	<u>Serial Numbers</u>	
008	16028-ZE0-005	SCREW SET	1		
008	16028-ZE0-005	SCREW SET	2		
009	16044-ZE0-005	CHOKE SET	1		
009	16044-ZE0-005	CHOKE SET	2		
010	16100-ZK7-U31	CARBURETOR ASSY. (BE62C A)	1	6276050	
010	16100-ZK7-U31	CARBURETOR ASSY. (BE62C A)	1		
010	16100-ZK7-U31	CARBURETOR ASSY. (BE62C A)	1	6276050	
010	16100-ZK7-V01	CARBURETOR ASSY. (BE62A A)	1		6276049
010	16100-ZK7-V01	CARBURETOR ASSY. (BE62A A)	1		6276049
011	16124-ZE0-005	SCREW, THROTTLE STOP	1		
011	16124-ZE0-005	SCREW, THROTTLE STOP	2		
012	16166-ZH7-A50	NOZZLE, MAIN	1		
012	16166-ZH7-A50	NOZZLE, MAIN	1		
012	16166-ZH7-A50	NOZZLE, MAIN	2		
013	16211-ZE0-000	INSULATOR, CARBURETOR	1		
014	16212-ZH7-800	PACKING, INSULATOR	1		
014	16212-ZH7-800	PACKING, INSULATOR	1		
015	16220-ZE1-020	SPACER COMP., CARBURETOR	1		
016	16221-ZH8-801	PACKING, CARBURETOR	(1)		
016	16221-ZH8-801	PACKING, CARBURETOR	1		
019	16610-ZE1-000	LEVER COMP., CHOKE (STD.)	1		
031	94305-20122	PIN, SPRING, 2X12	1		
032	99101-ZH80580	JET, MAIN, #58	(1)		
032	99101-ZH80580	JET, MAIN, #58	(1)		
032	99101-ZH80600	JET, MAIN, #60	1	BE12B B	BE12B C
032	99101-ZH80600	JET, MAIN, #60	(1)		
032	99101-ZH80620	JET, MAIN, #62	1	BE61D B	
032	99101-ZH80620	JET, MAIN, #62	1		
032	99101-ZH80620	JET, MAIN, #62	2		
033	99204-ZE00350	JET SET, PILOT, #35	1		
033	99204-ZE00350	JET SET, PILOT, #35	2		
034	16016-ZH7-W01	SCREW SET, PILOT	1		
034	16016-ZH7-W01	SCREW SET, PILOT	1	BE62C A	

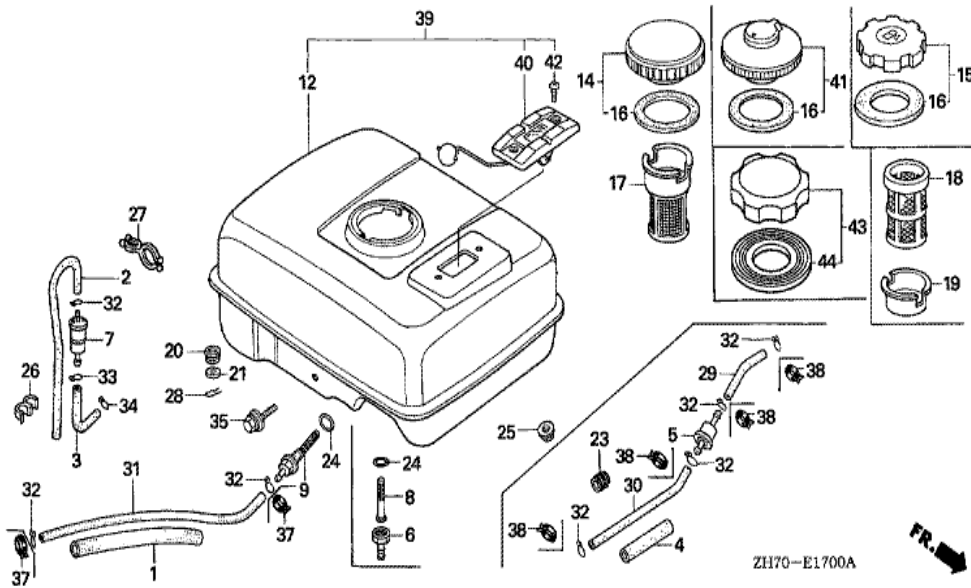


<u>Ref</u>	<u>Partnumber</u>	<u>Description</u>	<u>GX120K1</u>	<u>Serial Numbers</u>
001	16106-KW7-900	CLIP B, TUBE	1	
001	16106-KW7-900	CLIP B, TUBE	2	
002	17200-ZK7-V01	CLEANER ASSY., AIR	1	
003	17210-ZK7-V01	ELEMENT COMP., AIR CLEANER	1	
004	17216-PM4-300	CLIP A, WIRE	1	
005	17217-PM4-300	CLIP B, WIRE	1	
006	17218-ZK7-V01	FILTER, OUTER	1	
007	17230-ZK7-V01	COVER COMP., AIR CLEANER	1	
008	17238-ZE7-010	COLLAR, AIR CLEANER	2	
009	17239-ZE1-000	COLLAR B, AIR CLEANER	1	
010	17251-ZE0-S10	TUBE, AIR CLEANER CONNECTING	1	
011	17255-758-000	BAND, AIR CLEANER CONNECTING TUBE	2	
012	17410-ZE1-P30	ELBOW COMP., AIR CLEANER	1	
<u>Ref</u>	<u>Partnumber</u>	<u>Description</u>	<u>GX120K1</u>	<u>Serial Numbers</u>
013	94050-06000	NUT, FLANGE, 6MM	2	
014	95701-0601600	BOLT, FLANGE, 6X16	2	
015	90013-883-000	BOLT, FLANGE, 6X12 (CT200)	1	
015	90013-883-000	BOLT, FLANGE, 6X12 (CT200)	1	
016	91473-PA1-003	CLIP, WATER HOSE	1	
017	93500-040200A	SCREW, PAN, 4X20	2	

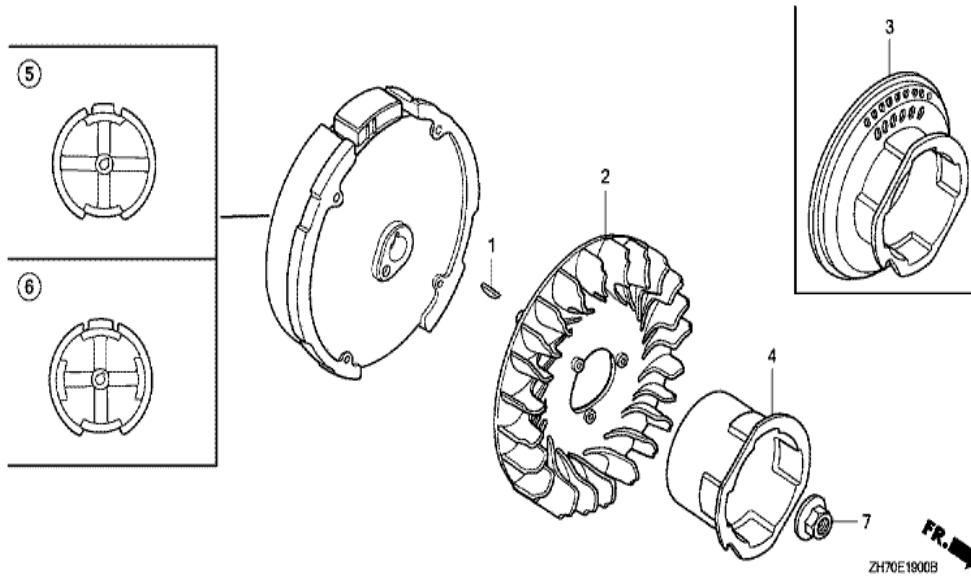


ZH70-E1602A

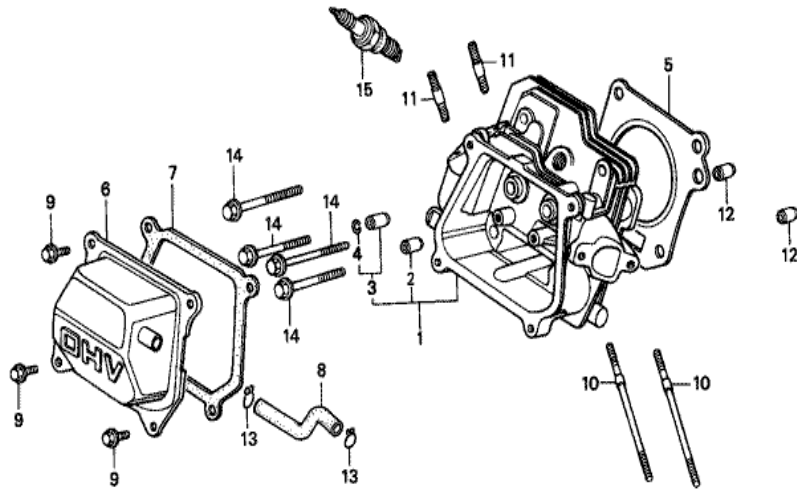
Ref	Partnumber	Description	GX120K1	Serial Numbers
001	18310-ZK7-V01	MUFFLER COMP.	1	
002	18338-ZK7-V00	STAY COMP., MUFFLER	1	
004	18381-ZH8-800	GASKET, MUFFLER	1	
005	94001-080000S	NUT, HEX., 8MM	2	
006	94050-06000	NUT, FLANGE, 6MM	4	
007	95701-0601600	BOLT, FLANGE, 6X16	2	
008	95701-0602500	BOLT, FLANGE, 6X25	1	
010	95701-0802000	BOLT, FLANGE, 8X20	2	
010	95701-0802000	BOLT, FLANGE, 8X20	2	



<u>Ref</u>	<u>Partnumber</u>	<u>Description</u>	<u>GX120K1</u>	<u>Serial Numbers</u>
001	16854-ZH8-000	RUBBER, SUPPORTER (107MM)	1	
002	16198-ZG0-U00	TUBE A, AIR VENT	1	
003	16199-KCR-000	TUBE	1	
007	16910-ZG0-U01	STRAINER COMP., FUEL	1	3514171
007	16910-ZG0-U02	STRAINER COMP., FUEL	1	3514172
007	16910-ZG0-U02	STRAINER COMP., FUEL	1	3514172
026	17205-PC6-000	CLAMP, TUBE, 7.5X2	1	4312055
026	17205-PC6-000	CLAMP, TUBE, 7.5X2	1	4312055
026	91403-750-800	CLIP, DOUBLE	2	4312054
026	91403-750-800	CLIP, DOUBLE	1	4312054
031	95001-4540060	TUBE, FUEL, 4.5X400 (95001-450 (95001-45	1	4091237
031	95001-4540060	TUBE, FUEL, 4.5X400 (95001-450 (95001-45	1	
032	95002-02080	CLIP, TUBE (B8)	1	
<u>Ref</u>	<u>Partnumber</u>	<u>Description</u>	<u>GX120K1</u>	<u>Serial Numbers</u>
033	95002-02100	CLIP, TUBE (B10)	1	
034	95002-50000	CLIP, TUBE (C9)	1	



Ref	Partnumber	Description	GX120K1	Serial Numbers
001	13331-357-000	KEY, SPECIAL WOODRUFF, 25X18	1	
002	19511-ZE0-000	FAN, COOLING	1	
004	28451-ZH7-003	PULLEY, STARTER	1	
004	28451-ZH7-003	PULLEY, STARTER	1	3917141
004	28451-ZH8-003	PULLEY, STARTER	1	3917140
004	28451-ZH8-003	PULLEY, STARTER	1	3917140
005	31100-ZE0-010	FLYWHEEL COMP.	(1)	
005	31100-ZE0-010	FLYWHEEL COMP.	1	
007	90201-878-003	NUT, SPECIAL, 14MM	1	

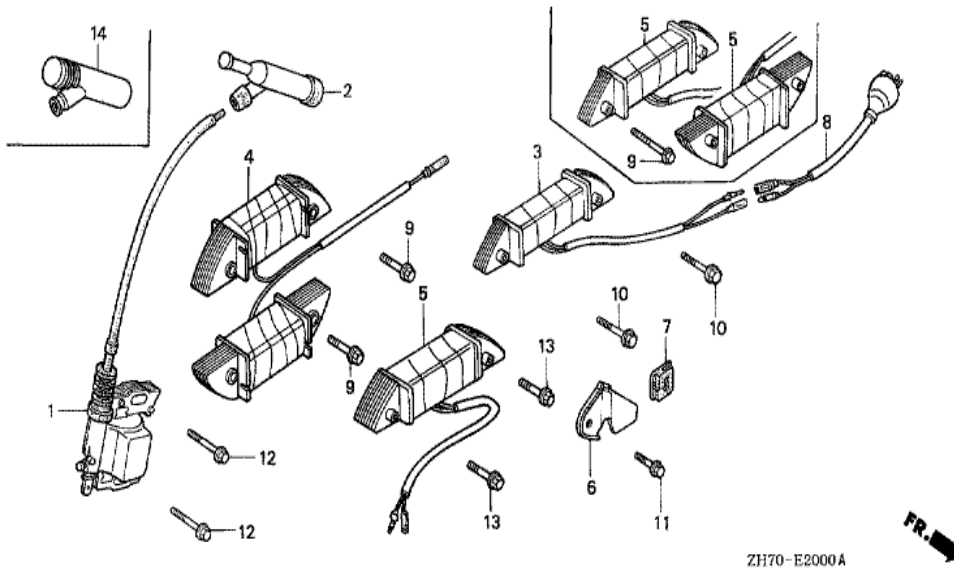


ZH70-B0200



Ref	Partnumber	Description	GX120K1	Serial Numbers
001	12210-ZH7-405	HEAD COMP., CYLINDER	1	
001	12210-ZH7-405	HEAD COMP., CYLINDER	1	
002	12204-ZE1-306	GUIDE, IN. VALVE (OS)	(1)	2156735
002	12204-ZE1-306	GUIDE, IN. VALVE (OS)	(1)	
003	12205-ZE1-315	GUIDE, EX. VALVE (OS)	(1)	
004	12216-ZE5-300	CLIP, VALVE GUIDE	1	
005	12251-ZH7-800	GASKET, CYLINDER HEAD	1	2157160
005	12251-ZH7-800	GASKET, CYLINDER HEAD	1	
006	12310-ZE1-010	COVER COMP., HEAD	1	2533058 3909674
006	12310-ZE1-010	COVER COMP., HEAD	1	3909674
006	12310-ZE1-020	COVER COMP., HEAD	1	3909675
006	12310-ZE1-020	COVER COMP., HEAD	1	3909675
007	12391-ZE1-000	PACKING, HEAD COVER	1	

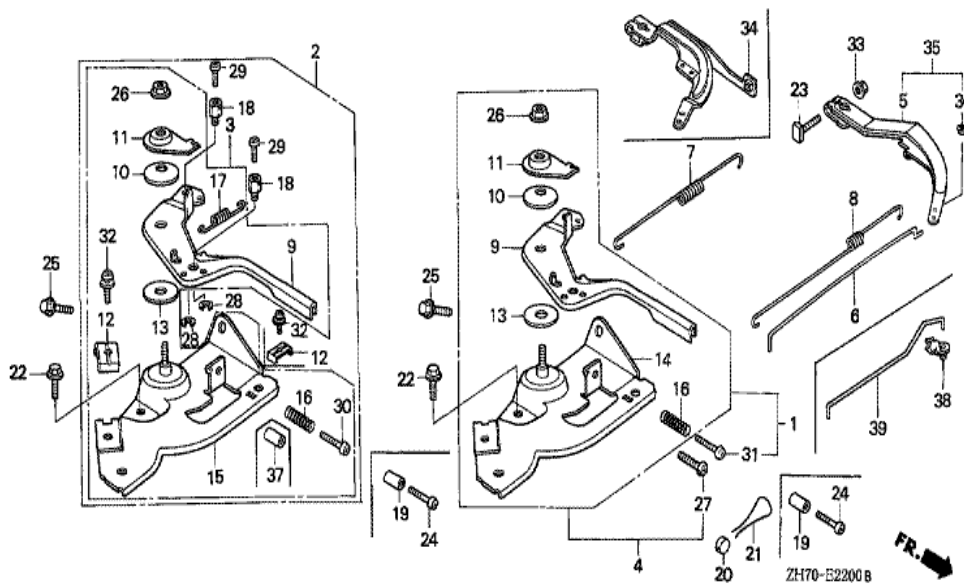
<u>Ref</u>	<u>Partnumber</u>	<u>Description</u>	<u>GX120K1</u>	<u>Serial Numbers</u>	
008	15721-ZH8-000	TUBE, BREATHER	1		
008	15721-ZH8-000	TUBE, BREATHER	1		
009	90013-883-000	BOLT, FLANGE, 6X12 (CT200)	4		
009	90013-883-000	BOLT, FLANGE, 6X12 (CT200)	4	2299857	
010	90043-ZE1-020	BOLT, STUD, 6X112	2	2400126	
010	90043-ZE1-020	BOLT, STUD, 6X112	2		
011	90047-ZE1-000	BOLT, STUD, 8X32	2		
012	94301-10160	DOWEL PIN, 10X16	2		
014	95723-0805500	BOLT, FLANGE, 8X55	4		
015	98079-54841	PLUG, SPARK (BP4ES) (NGK)	1		
015	98079-54841	PLUG, SPARK (BP4ES) (NGK)	1	2912713	3491424
015	98079-54846	PLUG, SPARK (BPR4ES) (NGK)	1		
015	98079-54846	PLUG, SPARK (BPR4ES) (NGK)	1	3491425	
015	98079-54854	PLUG, SPARK (W14EP-U) (DENSO)	1	2912713	3491424
015	98079-54854	PLUG, SPARK (W14EP-U) (DENSO)	1	2912713	3491424
015	98079-54855	PLUG, SPARK (W14EPR-U) (DENSO)	1	3235090	
015	98079-54855	PLUG, SPARK (W14EPR-U) (DENSO)	1	3491425	
015	98079-55841	PLUG, SPARK (BP5ES) (NGK)	1		
015	98079-55841	PLUG, SPARK (BP5ES) (NGK)	(1)		2912712
015	98079-55854	PLUG, SPARK (W16EP-U) (DENSO)	1		
015	98079-55854	PLUG, SPARK (W16EP-U) (DENSO)	(1)		2912712
015	98079-56841	PLUG, SPARK (BP6ES) (NGK)	(1)		
015	98079-56841	PLUG, SPARK (BP6ES) (NGK)	1		2912712
015	98079-56854	PLUG, SPARK (W20EP-U) (DENSO)	1		3491424
015	98079-56854	PLUG, SPARK (W20EP-U) (DENSO)	1		2912712



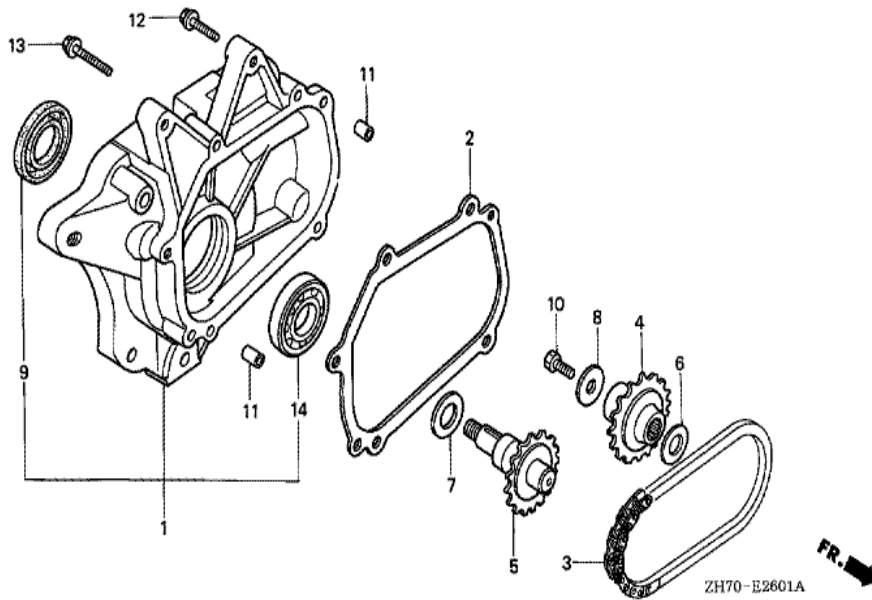
ZH70-E2000A

FR. →

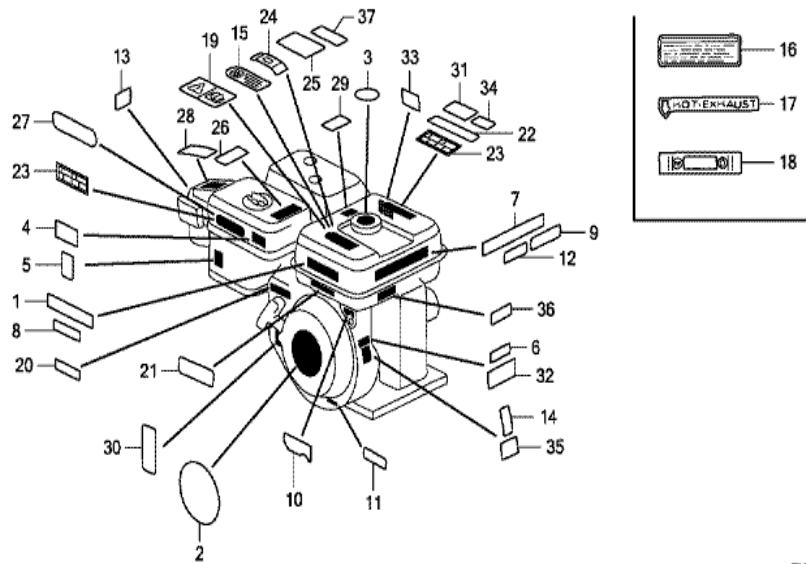
Ref	Partnumber	Description	GX120K1	Serial Numbers
001	30500-ZE1-033	COIL ASSY., IGNITION	1	2400126
001	30500-ZE1-033	COIL ASSY., IGNITION	1	4075104
001	30500-ZE1-043	COIL ASSY., IGNITION	1	4075105
001	30500-ZE1-043	COIL ASSY., IGNITION	1	4075105
002	30600-ZE1-013	TERMINAL ASSY., HIGH TENSION (NICHIWA Y-	1	
002	30600-ZE1-013	TERMINAL ASSY., HIGH TENSION (NICHIWA Y-	1	3491424
002	30700-ZE1-013	CAP ASSY., NOISE SUPPRESSOR (NICHIWA Y-E	1	3491425
002	30700-ZE1-013	CAP ASSY., NOISE SUPPRESSOR (NICHIWA Y-E	1	3491425
012	90121-952-000	BOLT, FLANGE, 6X25 (CT200)	2	



Ref	Partnumber	Description	GX120K1	Serial Numbers
002	16570-ZE0-S10	CONTROL ASSY.	1	3418989
002	16570-ZE0-S10	CONTROL ASSY.	1	
006	16555-ZE0-000	ROD, GOVERNOR	1	
007	16561-ZE0-020	SPRING, GOVERNOR	1	
008	16562-ZE0-020	SPRING, THROTTLE RETURN	1	
009	16571-ZE0-S10	LEVER, CONTROL	1	
009	16571-ZE0-S10	LEVER, CONTROL	1	
010	16574-ZE1-000	SPRING, LEVER	1	
011	16575-ZH8-000	WASHER, CONTROL LEVER	1	
012	16576-891-000	HOLDER, CABLE	1	
013	16578-ZE1-000	SPACER, CONTROL LEVER	1	
015	16580-ZH7-810	BASE COMP., CONTROL (###)	1	
015	16580-ZH7-810	BASE COMP., CONTROL (###)	1	3303356
Ref	Partnumber	Description	GX120K1	Serial Numbers
016	16584-883-300	SPRING, CONTROL ADJUSTING	1	
017	16592-ZE1-810	SPRING, CABLE RETURN	1	
018	16594-883-010	HOLDER, WIRE	1	
022	90013-883-000	BOLT, FLANGE, 6X12 (CT200)	1	
023	90015-ZE5-010	BOLT, GOVERNOR ARM	1	
025	90022-888-010	BOLT, FLANGE, 6X20 (CT200)	1	
026	90114-SA0-000	NUT, SELF-LOCK, 6MM	1	
028	90605-230-000	CIRCLIP, 5MM	1	
029	93500-040060H	SCREW, PAN, 4X6	1	
030	93500-050250H	SCREW, PAN, 5X25	(1)	
030	93500-050250H	SCREW, PAN, 5X25	1	
032	93500-050160A	SCREW, PAN, 5X16	1	
032	93500-050160A	SCREW, PAN, 5X16	1	2308557
033	94050-06000	NUT, FLANGE, 6MM	1	
035	16550-ZK7-V00	ARM COMP., GOVERNOR	1	
036	16552-896-650	COLLAR, LEVER	1	

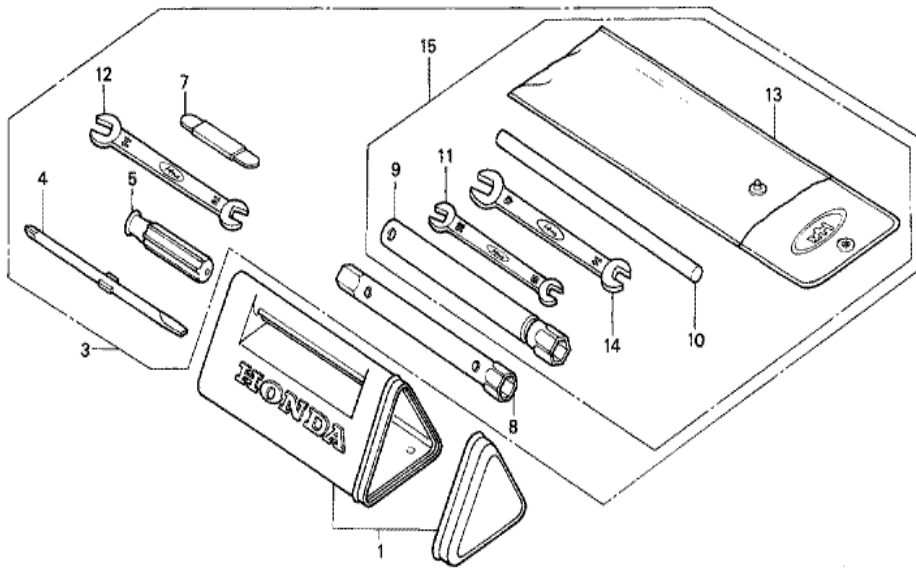


<u>Ref</u>	<u>Partnumber</u>	<u>Description</u>	<u>GX120K1</u>	<u>Serial Numbers</u>
001	11500-ZK7-V00	COVER ASSY., CHAIN CASE	1	
002	11521-ZK7-V00	PACKING, CHAIN CASE COVER	1	
003	14411-ZK7-V01	CHAIN, P.T.O. DRIVE	1	
004	23121-ZK7-V00	SPROCKET, DRIVE (17T)	1	
005	23151-ZK7-V00	SHAFT, P.T.O. (16T)	1	
006	90454-428-000	WASHER, THRUST, 20MM	1	
007	90456-ZE1-000	SPRING, THRUST	1	
008	90471-ZE1-610	WASHER, 8MM	1	
009	91252-888-003	OIL SEAL, 25X38X7 (ARAI)	1	
010	92101-080250A	BOLT, HEX., 8X25	1	
011	94303-08140	DOWEL PIN, 8X14	2	
012	95701-0803500	BOLT, FLANGE, 8X35	4	
013	95701-0805500	BOLT, FLANGE, 8X55	1	
<u>Ref</u>	<u>Partnumber</u>	<u>Description</u>	<u>GX120K1</u>	<u>Serial Numbers</u>
014	96100-6005000	BEARING, RADIAL BALL, 6005	1	



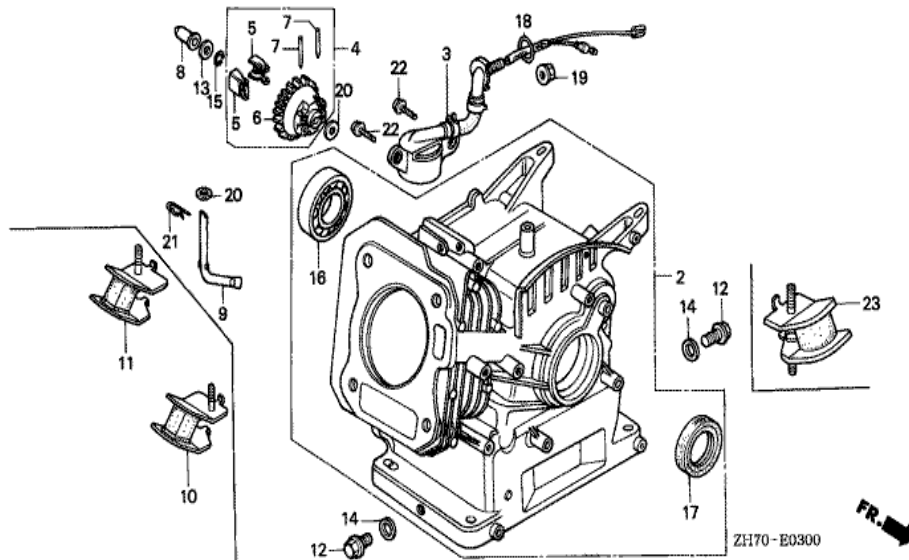
ZH70E2800E

Ref	Partnumber	Description	GX120K1	Serial Numbers
002	87521-ZH7-010	EMBLEM	1	2185870 3841370
002	87521-ZH7-010	EMBLEM	1	3841370
002	87521-ZH7-020	EMBLEM (4.0)	1	3841371 4142243
002	87521-ZH7-020	EMBLEM (4.0)	1	3841371 4142243
002	87521-ZH7-030	EMBLEM (4.0)	1	4142244
002	87521-ZH7-030	EMBLEM (4.0)	1	4142244
005	87528-ZE1-810	MARK, CHOKE	(1)	
005	87528-ZE1-810	MARK, CHOKE	1	
030	87135-ZE2-000	LABEL, E-SPEC (HONDA) (EPA STANDARD) (15)	1	

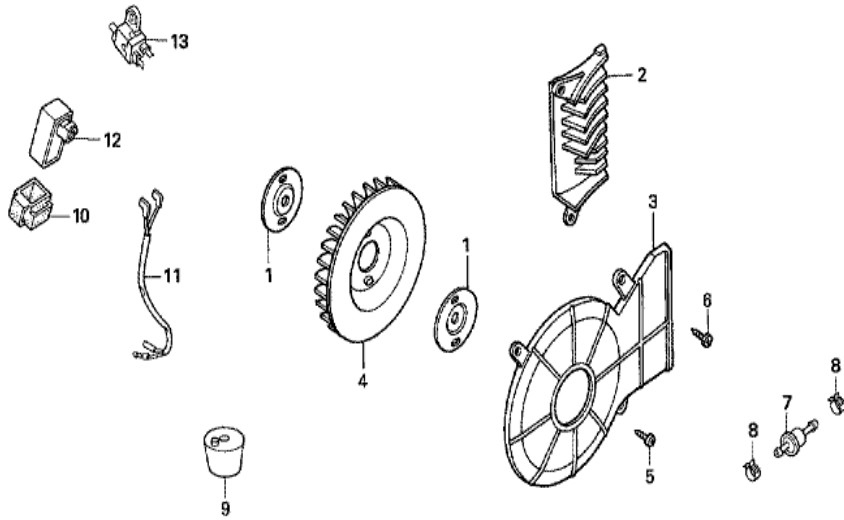


ZH70-E2901

Ref	Partnumber	Description	GX120K1	Serial Numbers
009	89218-ZE1-000	WRENCH COMP., SPARK PLUG	1	

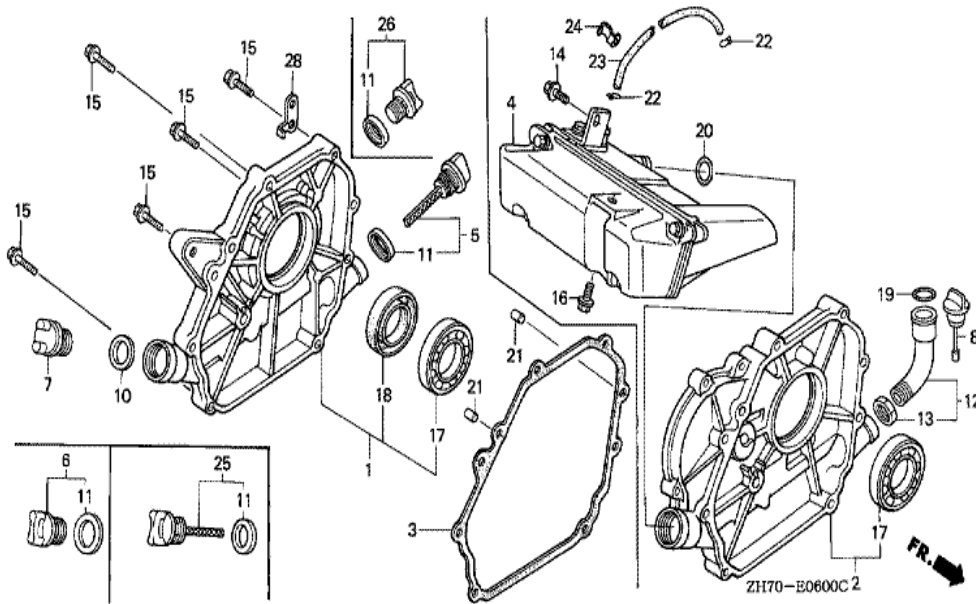


Ref	Partnumber	Description	GX120K1	Serial Numbers
002	12000-ZF0-415	BARREL ASSY., CYLINDER	(1)	4205163
002	12000-ZF0-415	BARREL ASSY., CYLINDER	1	4205163
002	12000-ZF0-425	BARREL ASSY., CYLINDER	1	4205164
002	12000-ZF0-425	BARREL ASSY., CYLINDER	1	4205164
004	16510-ZE1-000	GOVERNOR ASSY.	1	
005	16511-ZE1-000	WEIGHT, GOVERNOR	2	
006	16512-ZE1-000	HOLDER, GOVERNOR WEIGHT	1	
007	16513-ZE1-000	PIN, GOVERNOR WEIGHT	2	
008	16531-ZE1-000	SLIDER, GOVERNOR	1	
009	16541-ZE1-000	SHAFT, GOVERNOR ARM	1	
012	90131-ZE1-000	BOLT, DRAIN PLUG	2	
013	90451-ZE1-000	WASHER, THRUST, 6MM	1	
014	90601-ZE1-000	WASHER, DRAIN PLUG, 10.2MM	2	
Ref	Partnumber	Description	GX120K1	Serial Numbers
015	90602-ZE1-000	CLIP, GOVERNOR HOLDER	1	
016	91001-878-003	BEARING, RADIAL BALL,	1	
017	91202-ZE6-003	OIL SEAL, 22X35X6	1	
017	91202-ZE6-003	OIL SEAL, 22X35X6	1	4205163
017	91202-ZE6-013	OIL SEAL, 22X35X6	1	4205164
017	91202-ZE6-013	OIL SEAL, 22X35X6	1	4205164
020	94101-06800	WASHER, PLAIN, 6MM	2	
021	94251-08000	PIN, LOCK, 8MM	1	

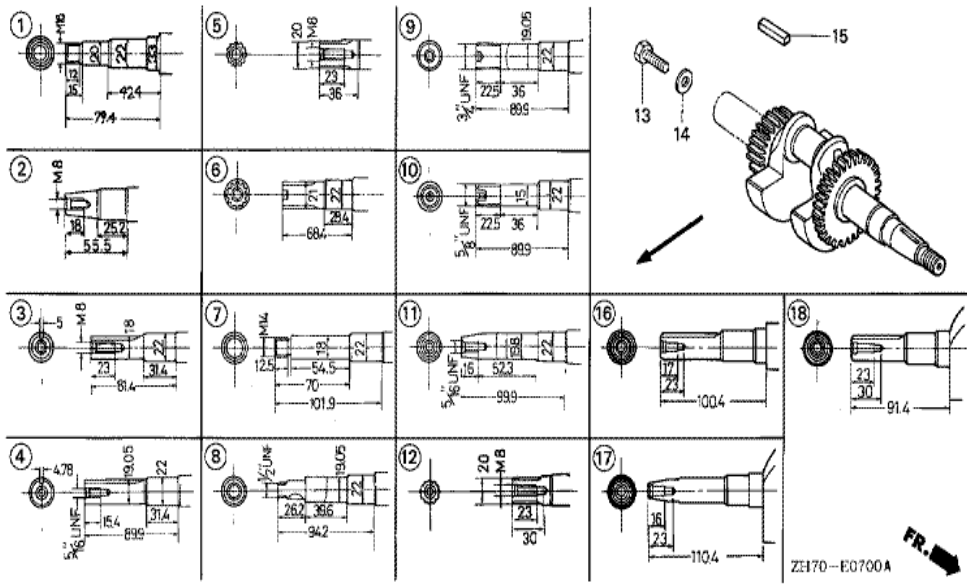


ZH70-E4002A

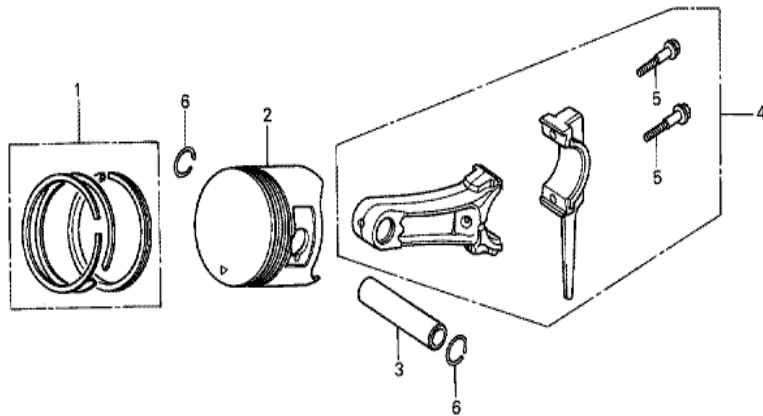
Ref	Partnumber	Description	GX120K1	Serial Numbers
007	16910-GB2-005	STRAINER COMP., FUEL	1	
007	16910-GB2-005	STRAINER COMP., FUEL	1	3176152
008	95002-4085008	CLAMP, TUBE (D8.5)	2	
008	95002-4085008	CLAMP, TUBE (D8.5)	2	3176152



<u>Ref</u>	<u>Partnumber</u>	<u>Description</u>	<u>GX120K1</u>	<u>Serial Numbers</u>
002	11300-ZK7-V00	COVER ASSY., CRANKCASE	1	
002	11300-ZK7-V00	COVER ASSY., CRANKCASE	1	
003	11381-ZK7-V00	PACKING, CASE COVER	1	
003	11381-ZK7-V00	PACKING, CASE COVER	1	
004	15500-ZK7-V00	TANK ASSY., OIL	1	
005	15600-ZE1-003	CAP ASSY., OIL FILLER (GRAY)	1	2354643
005	15600-ZE1-003	CAP ASSY., OIL FILLER (GRAY)	1	
011	15625-ZE1-003	PACKING, OIL FILLER CAP	2	2354643
011	15625-ZE1-003	PACKING, OIL FILLER CAP	1	
014	90014-952-000	BOLT, FLANGE, 6X14 (CT200)	1	
015	90015-883-000	BOLT, FLANGE, 6X28 (CT200)	7	
016	90029-888-000	BOLT, FLANGE, 6X16 (CT200)	1	
017	91001-878-003	BEARING, RADIAL BALL,	1	
<u>Ref</u>	<u>Partnumber</u>	<u>Description</u>	<u>GX120K1</u>	<u>Serial Numbers</u>
020	91304-MJ0-003	O-RING, 15.8X2.4 (SHOWA)	1	
021	94303-08140	DOWEL PIN, 8X14	2	
021	94303-08140	DOWEL PIN, 8X14	2	
022	95002-02070	CLIP, TUBE (B7)	2	
023	95005-3515010	TUBE, 3.5X150 (95005-35001-10M)	1	



Ref	Partnumber	Description	GX120K1	Serial Numbers
012	13310-ZK7-V00	CRANKSHAFT COMP.	1	

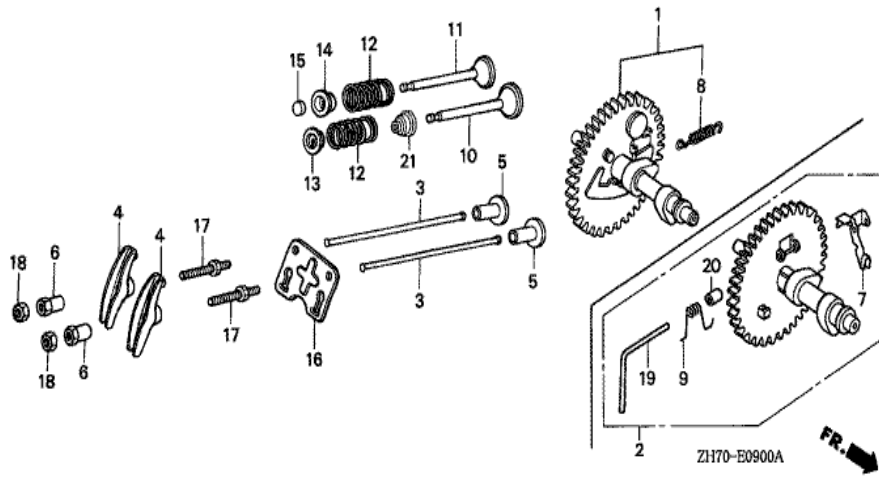


ZH70-E0800

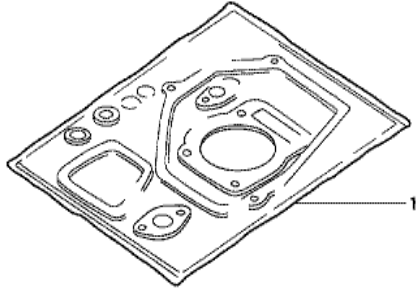


Ref	Partnumber	Description	GX120K1	Serial Numbers
001	13010-ZH7-003	RING SET, PISTON (STD.) (TEIKOKU)	1	3993726
001	13010-ZH7-003	RING SET, PISTON (STD.) (TEIKOKU)	1	3993726
001	13010-ZH7-004	RING SET, PISTON (STD.) (NIPPON)	1	3993726
001	13010-ZH7-004	RING SET, PISTON (STD.) (NIPPON)	1	3993726
001	13010-ZK7-V01	RING SET, PISTON (STD.) (TEIKOKU)	1	3284617 3993725
001	13010-ZK7-V01	RING SET, PISTON (STD.) (TEIKOKU)	1	3993725
001	13011-ZH7-003	RING SET, PISTON (0.25) (TEIKOKU)	(1)	3993726
001	13011-ZH7-003	RING SET, PISTON (0.25) (TEIKOKU)	(1)	3993726
001	13011-ZH7-004	RING SET, PISTON (0.25) (NIPPON)	(1)	3993726
001	13011-ZH7-004	RING SET, PISTON (0.25) (NIPPON)	(1)	3993726
001	13011-ZK7-V01	RING SET, PISTON (0.25) (TEIKOKU)	(1)	3284617 3993725
001	13011-ZK7-V01	RING SET, PISTON (0.25) (TEIKOKU)	(1)	3993725
001	13012-ZH7-003	RING SET, PISTON (0.50) (TEIKOKU)	(1)	3993726

<u>Ref</u>	<u>Partnumber</u>	<u>Description</u>	<u>GX120K1</u>	<u>Serial Numbers</u>
001	13012-ZH7-003	RING SET, PISTON (0.50) (TEIKOKU)	(1)	3993726
001	13012-ZH7-004	RING SET, PISTON (0.50) (NIPPON)	(1)	3993726
001	13012-ZH7-004	RING SET, PISTON (0.50) (NIPPON)	(1)	3993726
001	13012-ZK7-V01	RING SET, PISTON (0.50) (TEIKOKU)	(1)	3284617 3993725
001	13012-ZK7-V01	RING SET, PISTON (0.50) (TEIKOKU)	(1)	3993725
001	13013-ZH7-003	RING SET, PISTON (0.75) (TEIKOKU)	(1)	3993726
001	13013-ZH7-003	RING SET, PISTON (0.75) (TEIKOKU)	(1)	3993726
001	13013-ZH7-004	RING SET, PISTON (0.75) (NIPPON)	(1)	3993726
001	13013-ZH7-004	RING SET, PISTON (0.75) (NIPPON)	(1)	3993726
001	13013-ZK7-V01	RING SET, PISTON (0.75) (TEIKOKU)	(1)	3284617 3993725
001	13013-ZK7-V01	RING SET, PISTON (0.75) (TEIKOKU)	(1)	3993725
002	13101-ZH7-000	PISTON (STD.)	1	3993725
002	13101-ZH7-000	PISTON (STD.)	1	
002	13101-ZH7-010	PISTON (STD.)	1	3993726
002	13101-ZH7-010	PISTON (STD.)	1	3993726
002	13102-ZH7-000	PISTON (0.25)	(1)	3993725
002	13102-ZH7-000	PISTON (0.25)	(1)	3993725
002	13102-ZH7-010	PISTON (0.25)	(1)	3993726
002	13102-ZH7-010	PISTON (0.25)	(1)	3993726
002	13103-ZH7-000	PISTON (0.50)	(1)	3993725
002	13103-ZH7-000	PISTON (0.50)	(1)	3993725
002	13103-ZH7-010	PISTON (0.50)	(1)	3993726
002	13103-ZH7-010	PISTON (0.50)	(1)	3993726
002	13104-ZH7-000	PISTON (0.75)	(1)	3993725
002	13104-ZH7-000	PISTON (0.75)	(1)	3993725
002	13104-ZH7-010	PISTON (0.75)	(1)	3993726
002	13104-ZH7-010	PISTON (0.75)	(1)	3993726
003	13111-ZE0-000	PIN, PISTON	1	
004	13200-ZE0-000	ROD ASSY., CONNECTING	1	
004	132A0-ZE0-000	ROD ASSY., CONNECTING (UNDER SIZE)	(1)	
005	90001-ZE1-000	BOLT, CONNECTING ROD	2	
006	90551-ZE0-000	CLIP, PISTON PIN, 13MM	2	



<u>Ref</u>	<u>Partnumber</u>	<u>Description</u>	<u>GX120K1</u>	<u>Serial Numbers</u>
001	14100-ZH7-B20	CAMSHAFT ASSY.	1	
001	14100-ZH7-B20	CAMSHAFT ASSY.	1	
003	14410-ZE0-010	ROD, PUSH	2	
004	14431-ZE1-000	ARM, VALVE ROCKER	2	
005	14441-ZE1-000	LIFTER, VALVE	2	
005	14441-ZE1-000	LIFTER, VALVE	2	2828018
005	14441-ZE1-010	LIFTER, VALVE	2	2828019
005	14441-ZE1-010	LIFTER, VALVE	2	2828019
006	14451-ZE1-013	PIVOT, ROCKER ARM	2	
006	14451-ZE1-013	PIVOT, ROCKER ARM	2	
008	14568-ZE1-000	SPRING, WEIGHT RETURN	1	
010	14711-ZF0-000	VALVE, IN.	1	
011	14721-ZF0-000	VALVE, EX.	(1)	
<u>Ref</u>	<u>Partnumber</u>	<u>Description</u>	<u>GX120K1</u>	<u>Serial Numbers</u>
011	14721-ZF0-000	VALVE, EX.	1	
012	14751-ZF1-000	SPRING, VALVE	2	
013	14771-ZE1-000	RETAINER, IN. VALVE SPRING	1	
014	14773-ZE1-000	RETAINER, EX. VALVE SPRING	1	
015	14781-ZE1-000	ROTATOR, VALVE	1	
016	14791-ZE0-010	PLATE, PUSH ROD GUIDE	1	
017	90012-ZE0-010	BOLT, PIVOT, 8MM	2	
018	90206-ZE1-000	NUT, PIVOT ADJUSTING	2	
021	12209-ZH8-003	SEAL, VALVE STEM	1	
021	12209-ZH8-003	SEAL, VALVE STEM	1	3993726



HENG-X0003

<u>Ref</u>	<u>Partnumber</u>	<u>Description</u>	<u>GX120K1</u>	<u>Serial Numbers</u>
001	06111-ZK7-V00	GASKET KIT	1	
001	06111-ZK7-V00	GASKET KIT	1	