

ZK70-E1100

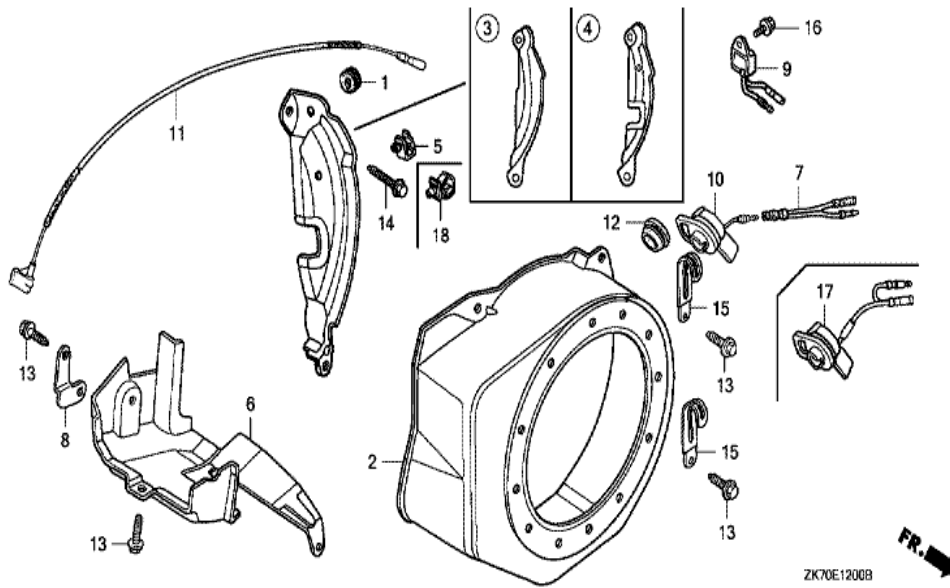


| <u>Ref</u> | <u>Partnumber</u> | <u>Description</u>                | <u>GX120K1</u> | <u>Serial Numbers</u> |
|------------|-------------------|-----------------------------------|----------------|-----------------------|
| 001        | 28400-ZH8-013ZB   | STARTER ASSY., RECOIL *NH1 *      | (1)            | 4363433               |
| 001        | 28400-ZH8-013ZB   | STARTER ASSY., RECOIL *NH1 *      | 1              | 4363433               |
| 002        | 28410-ZH8-003ZB   | CASE COMP., RECOIL STARTER *NH1 * | (1)            | 4363433               |
| 002        | 28410-ZH8-003ZB   | CASE COMP., RECOIL STARTER *NH1 * | 1              | 4363433               |
| 003        | 28420-ZH8-013     | REEL, RECOIL STARTER (NATURAL)    | 1              |                       |
| 003        | 28420-ZH8-013     | REEL, RECOIL STARTER (NATURAL)    | 1              | 4363433               |
| 004        | 28422-ZH8-013     | RATCHET, STARTER                  | 2              |                       |
| 004        | 28422-ZH8-013     | RATCHET, STARTER                  | 2              | 4363433               |
| 005        | 28433-ZH8-003     | GUIDE, RATCHET                    | 1              |                       |
| 005        | 28433-ZH8-003     | GUIDE, RATCHET                    | 1              | 4363433               |
| 006        | 28441-ZH8-003     | SPRING, FRICTION                  | 1              |                       |
| 006        | 28441-ZH8-003     | SPRING, FRICTION                  | 1              | 4363433               |
| 007        | 28442-ZH8-003     | SPRING, RECOIL STARTER            | 1              |                       |
| <u>Ref</u> | <u>Partnumber</u> | <u>Description</u>                | <u>GX120K1</u> | <u>Serial Numbers</u> |
| 007        | 28442-ZH8-003     | SPRING, RECOIL STARTER            | 1              | 4363433               |
| 008        | 28443-ZH8-003     | SPRING, RETURN                    | 2              |                       |
| 008        | 28443-ZH8-003     | SPRING, RETURN                    | 2              | 4363433               |
| 009        | 28461-ZH8-003     | GRIP, STARTER                     | 1              |                       |
| 009        | 28461-ZH8-003     | GRIP, STARTER                     | 1              | 4363433               |
| 010        | 28462-ZH8-003     | ROPE, RECOIL STARTER              | 1              |                       |
| 010        | 28462-ZH8-003     | ROPE, RECOIL STARTER              | 1              | 4363433               |
| 011        | 90003-ZH8-003     | SCREW, SETTING                    | 1              |                       |
| 011        | 90003-ZH8-003     | SCREW, SETTING                    | 1              | 4363433               |
| 012        | 90008-ZE2-003     | BOLT, FLANGE, 6X10                | 3              |                       |
| 012        | 90008-ZE2-003     | BOLT, FLANGE, 6X10                | 3              | 4363433               |



ZK70-E1102

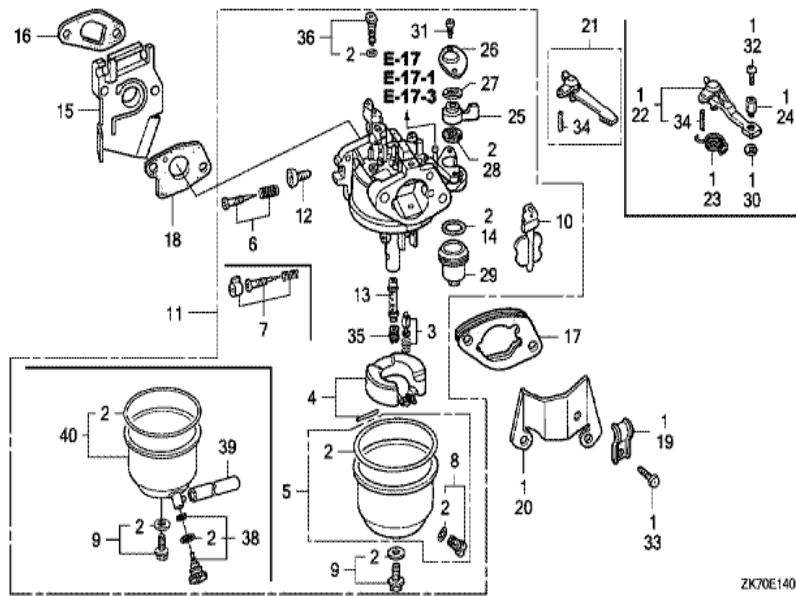
| <u>Ref</u> | <u>Partnumber</u> | <u>Description</u>                | <u>GX120K1</u> | <u>Serial Numbers</u> |         |
|------------|-------------------|-----------------------------------|----------------|-----------------------|---------|
| 001        | 28400-ZH8-023ZB   | STARTER ASSY., RECOIL *NH1 *      | (1)            | 4363434               | 4657598 |
| 001        | 28400-ZH8-023ZB   | STARTER ASSY., RECOIL *NH1 *      | 1              | 4363434               |         |
| 001        | 28400-ZH8-023ZB   | STARTER ASSY., RECOIL *NH1 *      | 1              | 4363434               | 4657598 |
| 002        | 28410-ZH8-003ZB   | CASE COMP., RECOIL STARTER *NH1 * | 1              | 4363434               |         |
| 002        | 28410-ZH8-003ZB   | CASE COMP., RECOIL STARTER *NH1 * | 1              | 4363434               |         |
| 003        | 28421-ZH8-801     | REEL, RECOIL STARTER (BLACK)      | 1              |                       |         |
| 003        | 28421-ZH8-801     | REEL, RECOIL STARTER (BLACK)      | 1              | 4363434               |         |
| 004        | 28422-ZH8-801     | RATCHET, STARTER                  | 2              |                       |         |
| 004        | 28422-ZH8-801     | RATCHET, STARTER                  | 2              | 4363434               |         |
| 005        | 28431-ZH8-801     | PLATE, FRICTION                   | 1              |                       |         |
| 005        | 28431-ZH8-801     | PLATE, FRICTION                   | 1              | 4363434               |         |
| 006        | 28433-ZH8-801     | GUIDE, RATCHET                    | 1              |                       |         |
| 006        | 28433-ZH8-801     | GUIDE, RATCHET                    | 1              | 4363434               |         |
| <u>Ref</u> | <u>Partnumber</u> | <u>Description</u>                | <u>GX120K1</u> | <u>Serial Numbers</u> |         |
| 007        | 28441-ZH8-801     | SPRING, FRICTION                  | 1              |                       |         |
| 007        | 28441-ZH8-801     | SPRING, FRICTION                  | 1              | 4363434               |         |
| 008        | 28442-ZH8-003     | SPRING, RECOIL STARTER            | 1              |                       |         |
| 008        | 28442-ZH8-003     | SPRING, RECOIL STARTER            | 1              | 4363434               |         |
| 009        | 28443-ZH8-801     | SPRING, RETURN                    | 2              |                       |         |
| 009        | 28443-ZH8-801     | SPRING, RETURN                    | 2              | 4363434               |         |
| 010        | 28461-ZH8-003     | GRIP, STARTER                     | 1              |                       |         |
| 010        | 28461-ZH8-003     | GRIP, STARTER                     | 1              | 4363434               |         |
| 011        | 28462-ZH8-003     | ROPE, RECOIL STARTER              | 1              |                       |         |
| 011        | 28462-ZH8-003     | ROPE, RECOIL STARTER              | 1              | 4363434               |         |
| 012        | 90003-ZH8-801     | SCREW, SETTING                    | 1              |                       |         |
| 012        | 90003-ZH8-801     | SCREW, SETTING                    | 1              | 4363434               |         |
| 013        | 90008-ZE2-003     | BOLT, FLANGE, 6X10                | 3              |                       |         |
| 013        | 90008-ZE2-003     | BOLT, FLANGE, 6X10                | 3              | 4363434               |         |



ZK70E1200B



| <u>Ref</u> | <u>Partnumber</u> | <u>Description</u>            | <u>GX120K1</u> | <u>Serial Numbers</u> |
|------------|-------------------|-------------------------------|----------------|-----------------------|
| 001        | 11347-371-300     | GROMMET, ADJUSTING COVER      | 1              |                       |
| 002        | 19610-ZE0-000ZE   | COVER COMP., FAN *NH1 *       | 1              |                       |
| 002        | 19610-ZE0-000ZE   | COVER COMP., FAN *NH1 *       | 1              |                       |
| 003        | 19611-ZH7-810     | PLATE COMP., SIDE (OIL ALERT) | 1              |                       |
| 006        | 19630-ZH7-000     | SHROUD COMP.                  | 1              |                       |
| 009        | 34150-ZH7-003     | ALERT UNIT, OIL               | 1              |                       |
| 011        | 36101-ZE1-010     | CORD, STOP SWITCH (370MM)     | 1              |                       |
| 013        | 90013-883-000     | BOLT, FLANGE, 6X12 (CT200)    | 4              |                       |
| 013        | 90013-883-000     | BOLT, FLANGE, 6X12 (CT200)    | 6              |                       |
| 014        | 90022-888-010     | BOLT, FLANGE, 6X20 (CT200)    | 1              |                       |
| 016        | 95701-0600800     | BOLT, FLANGE, 6X8             | 1              |                       |
| 017        | 36100-ZH7-W41     | SWITCH ASSY., ENGINE STOP     | 1              |                       |
| 017        | 36100-ZH7-W41     | SWITCH ASSY., ENGINE STOP     | 1              |                       |
| <u>Ref</u> | <u>Partnumber</u> | <u>Description</u>            | <u>GX120K1</u> | <u>Serial Numbers</u> |
| 018        | 90601-ZH7-013     | CLIP, HARNESS                 | 1              |                       |

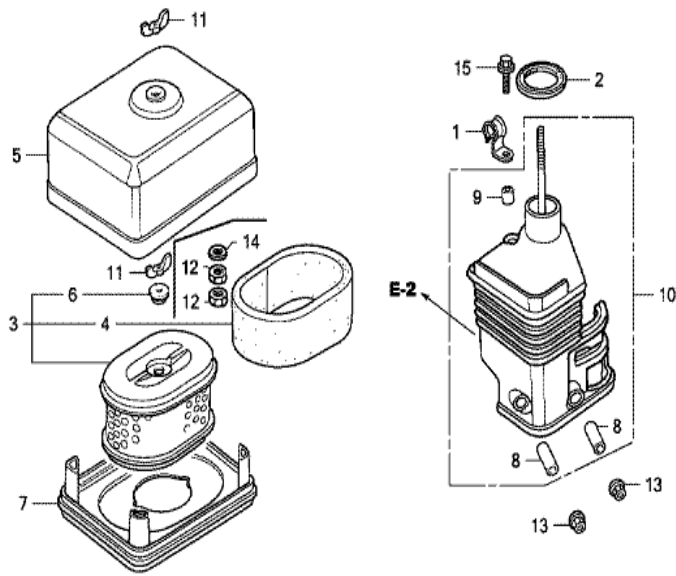


ZK70E1401D



| Ref | Partnumber    | Description                | GX120K1 | Serial Numbers |
|-----|---------------|----------------------------|---------|----------------|
| 002 | 16010-ZE1-812 | GASKET SET                 | (1)     |                |
| 002 | 16010-ZE1-812 | GASKET SET                 | 1       |                |
| 003 | 16011-ZE0-005 | VALVE SET, FLOAT           | 1       |                |
| 004 | 16013-ZE0-005 | FLOAT SET                  | 1       |                |
| 005 | 16015-ZE0-831 | CHAMBER SET, FLOAT         | 1       |                |
| 007 | 16016-ZH7-W01 | SCREW SET, PILOT           | 1       |                |
| 008 | 16024-ZE1-811 | SCREW SET, DRAIN           | 1       |                |
| 009 | 16028-ZE0-005 | SCREW SET                  | 1       |                |
| 010 | 16044-ZE0-005 | CHOKE SET                  | 1       |                |
| 011 | 16100-ZH7-W51 | CARBURETOR ASSY. (BE60B B) | 1       | 4419944        |
| 011 | 16100-ZH7-W51 | CARBURETOR ASSY. (BE60B B) | 1       |                |
| 011 | 16100-ZH7-W51 | CARBURETOR ASSY. (BE60B B) | 1       |                |
| 012 | 16124-ZE0-005 | SCREW, THROTTLE STOP       | 1       |                |

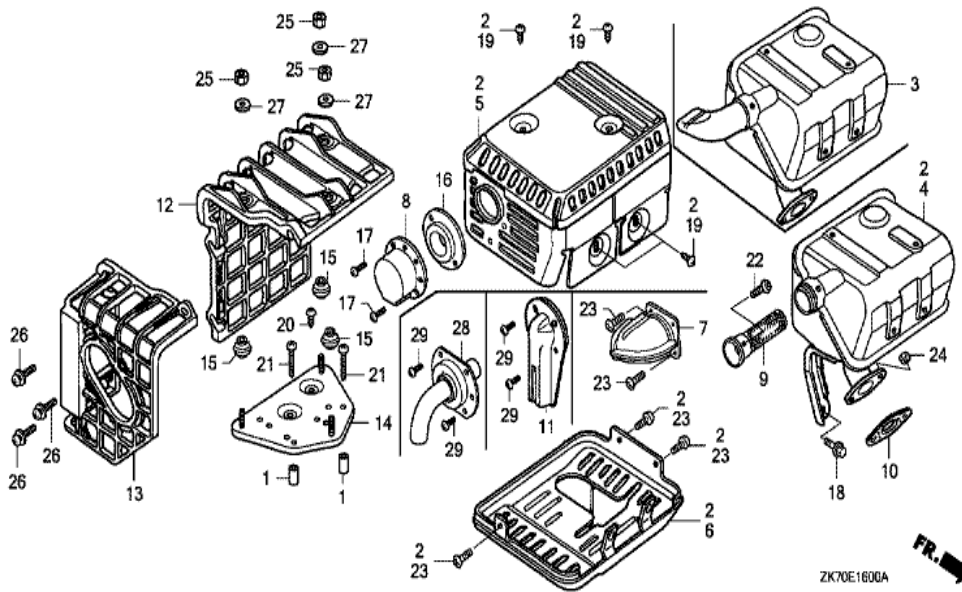
| <u>Ref</u> | <u>Partnumber</u> | <u>Description</u>         | <u>GX120K1</u> | <u>Serial Numbers</u> |
|------------|-------------------|----------------------------|----------------|-----------------------|
| 013        | 16166-ZH7-W50     | NOZZLE, MAIN               | 1              |                       |
| 013        | 16166-ZH7-W50     | NOZZLE, MAIN               | 1              |                       |
| 014        | 16173-001-004     | PACKING, FUEL STRAINER CUP | 1              |                       |
| 015        | 16211-ZE0-000     | INSULATOR, CARBURETOR      | 1              |                       |
| 016        | 16212-ZH7-800     | PACKING, INSULATOR         | 1              |                       |
| 017        | 16220-ZE1-020     | SPACER COMP., CARBURETOR   | 1              |                       |
| 017        | 16220-ZE1-020     | SPACER COMP., CARBURETOR   | 1              |                       |
| 018        | 16221-ZH8-801     | PACKING, CARBURETOR        | 1              |                       |
| 018        | 16221-ZH8-801     | PACKING, CARBURETOR        | 1              |                       |
| 021        | 16610-ZE1-000     | LEVER COMP., CHOKE (STD.)  | (1)            |                       |
| 021        | 16610-ZE1-000     | LEVER COMP., CHOKE (STD.)  | 1              |                       |
| 025        | 16953-ZE1-812     | LEVER, COCK                | 1              |                       |
| 026        | 16954-ZE1-812     | PLATE, LEVER SETTING       | 1              |                       |
| 027        | 16956-ZE1-811     | SPRING, COCK LEVER         | 1              |                       |
| 028        | 16957-ZE1-812     | PACKING, FUEL COCK         | 1              |                       |
| 029        | 16967-ZE0-811     | CUP, FUEL STRAINER         | 1              |                       |
| 031        | 93500-030061H     | SCREW, PAN, 3X6            | 2              |                       |
| 034        | 94305-20122       | PIN, SPRING, 2X12          | 1              |                       |
| 035        | 99101-ZH80550     | JET, MAIN, #55             | (1)            |                       |
| 035        | 99101-ZH80550     | JET, MAIN, #55             | (1)            |                       |
| 035        | 99101-ZH80580     | JET, MAIN, #58             | (1)            | BE12A B               |
| 035        | 99101-ZH80580     | JET, MAIN, #58             | (1)            |                       |
| 035        | 99101-ZH80600     | JET, MAIN, #60             | (1)            |                       |
| 035        | 99101-ZH80600     | JET, MAIN, #60             | 1              |                       |
| 036        | 99204-ZE00350     | JET SET, PILOT, #35        | 1              |                       |



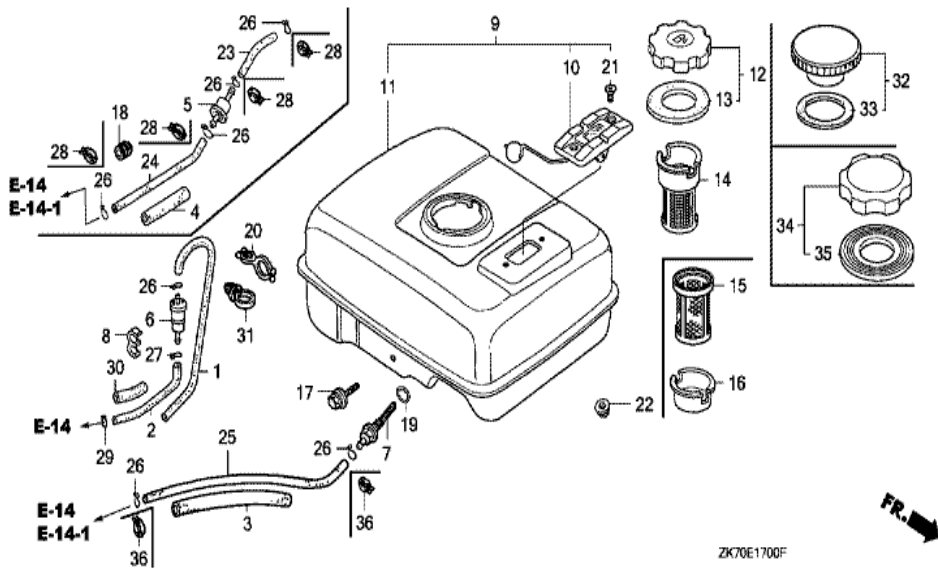
ZK70E1500A



| Ref | Partnumber    | Description                 | GX120K1 | Serial Numbers |
|-----|---------------|-----------------------------|---------|----------------|
| 002 | 16271-ZE1-000 | PACKING, ELBOW              | 1       |                |
| 003 | 17210-ZE0-822 | ELEMENT, AIR CLEANER (DUAL) | 1       |                |
| 004 | 17218-ZE0-821 | FILTER, OUTER               | 1       |                |
| 005 | 17230-ZE0-820 | COVER, AIR CLEANER (DUAL)   | 1       |                |
| 006 | 17232-891-000 | GROMMET, AIR CLEANER        | 1       |                |
| 007 | 17235-ZE1-831 | NOSE, SILENCER              | 1       |                |
| 008 | 17238-ZE0-010 | COLLAR, AIR CLEANER         | 2       |                |
| 009 | 17239-ZE1-000 | COLLAR B, AIR CLEANER       | 1       |                |
| 010 | 17410-ZE0-030 | ELBOW COMP., AIR CLEANER    | 1       |                |
| 011 | 90325-044-000 | NUT, TOOL BOX SETTING       | 1       |                |
| 011 | 90325-044-000 | NUT, TOOL BOX SETTING       | 2       |                |
| 013 | 94050-06000   | NUT, FLANGE, 6MM            | 2       |                |
| 015 | 95701-0602000 | BOLT, FLANGE, 6X20          | 1       |                |

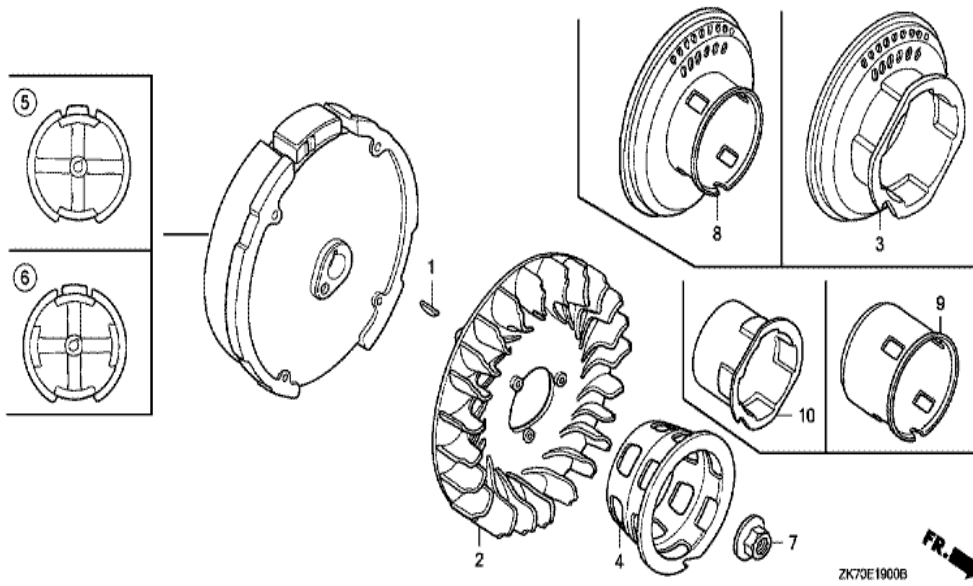


| Ref | Partnumber    | Description                       | GX120K1 | Serial Numbers |
|-----|---------------|-----------------------------------|---------|----------------|
| 004 | 18310-ZH8-T30 | MUFFLER COMP. (SAKAI-ARRESTER)    | 1       |                |
| 004 | 18310-ZH8-T30 | MUFFLER COMP. (SAKAI-ARRESTER)    | 1       |                |
| 005 | 18320-ZF1-H01 | PROTECTOR, MUFFLER (STD.) (BLACK) | 1       |                |
| 005 | 18320-ZF1-H01 | PROTECTOR, MUFFLER (STD.) (BLACK) | 1       |                |
| 008 | 18340-ZE1-010 | DEFLECTOR COMP.                   | 1       |                |
| 009 | 18355-ZE1-000 | ARRESTER, SPARK                   | 1       |                |
| 010 | 18381-ZH8-800 | GASKET, MUFFLER                   | 1       |                |
| 016 | 18522-ZE1-000 | GUIDE, MUFFLER                    | 1       |                |
| 017 | 90002-ZG0-003 | SCREW, TAPPING, 4X8               | 2       |                |
| 019 | 90050-ZE1-000 | SCREW, TAPPING, 5X8               | 4       |                |
| 022 | 90055-ZE1-000 | SCREW, TAPPING, 4X6               | 1       |                |
| 024 | 94001-080000S | NUT, HEX., 8MM                    | 2       |                |
| 024 | 94001-080000S | NUT, HEX., 8MM                    | 2       |                |

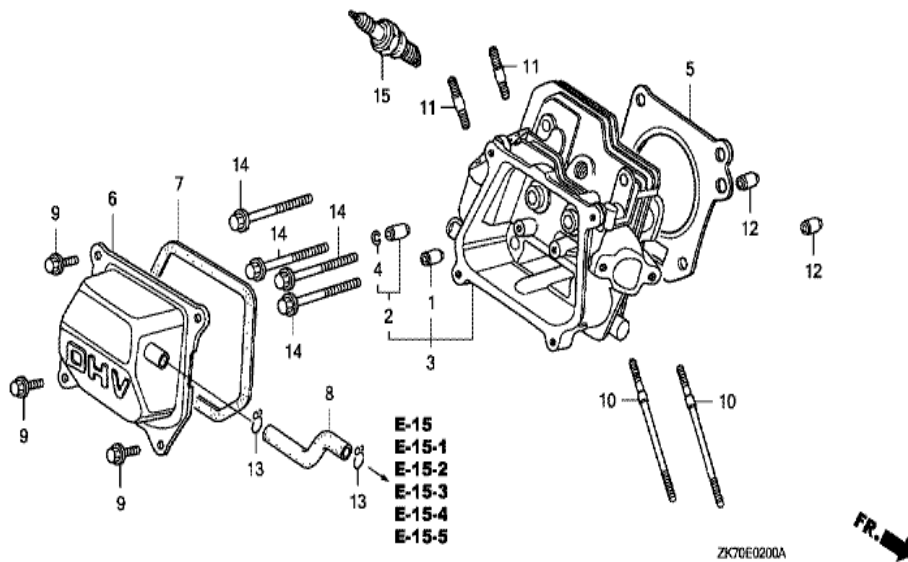


| Ref | Partnumber      | Description                               | GX120K1 | Serial Numbers |
|-----|-----------------|---|---------|----------------|
| 003 | 16854-ZH8-000   | RUBBER, SUPPORTER (107MM)                 | 1       |                |
| 007 | 16955-ZE1-000   | JOINT, FUEL TANK                          | 1       |                |
| 011 | 17510-ZE0-020ZD | TANK COMP., FUEL *NH1 *                   | 1       |                |
| 011 | 17510-ZE0-020ZD | TANK COMP., FUEL *NH1 *                   | 1       |                |
| 014 | 17672-ZE2-W01   | FILTER, FUEL                              | 1       |                |
| 014 | 17672-ZE2-W01   | FILTER, FUEL                              | 1       |                |
| 017 | 90004-ZH7-003   | BOLT, FLANGE, 6X29                        | 1       |                |
| 019 | 91353-671-004   | O-RING, 14MM (NOK)                        | 1       |                |
| 022 | 94050-06000     | NUT, FLANGE, 6MM                          | 2       |                |
| 025 | 95001-4514040   | TUBE, FUEL, 4.5X140 (95001-45001-60M)     | (1)     |                |
| 025 | 95001-4514040   | TUBE, FUEL, 4.5X140 (95001-45001-60M)     | 1       |                |
| 026 | 95002-02080     | CLIP, TUBE (B8)                           | 1       |                |
| 026 | 95002-02080     | CLIP, TUBE (B8)                           | 2       |                |
| Ref | Partnumber      | Description                               | GX120K1 | Serial Numbers |
| 034 | 17620-Z0T-305   | CAP COMP., FUEL FILLER (CHROME PLATED)    | 1       |                |
| 035 | 17631-Z0T-812   | PACKING, FUEL FILLER CAP (39X62X3) (TOUY) | 1       |                |

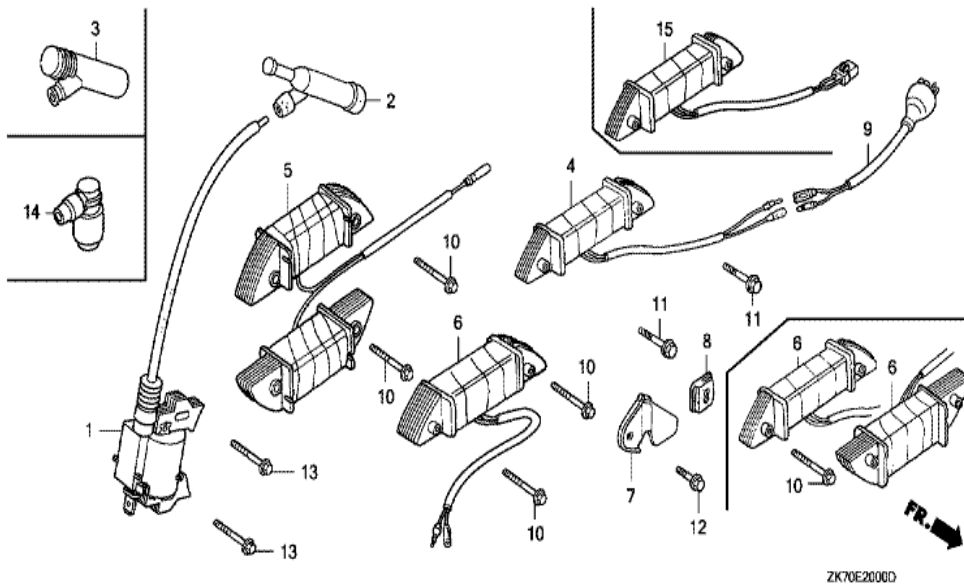




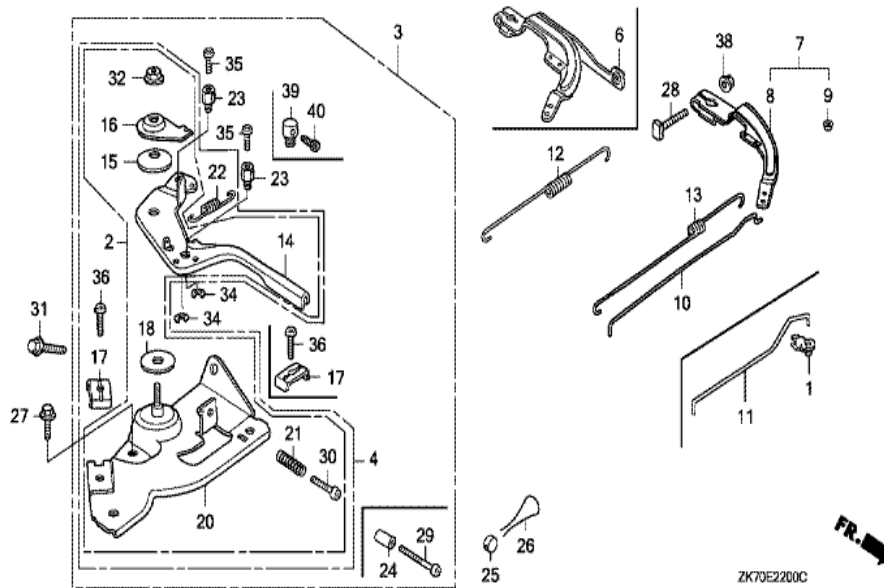
| Ref | Partnumber    | Description                  | GX120K1 | Serial Numbers |
|-----|---------------|------------------------------|---------|----------------|
| 001 | 13331-357-000 | KEY, SPECIAL WOODRUFF, 25X18 | 1       |                |
| 002 | 19511-ZE0-000 | FAN, COOLING                 | 1       |                |
| 005 | 31100-ZE0-010 | FLYWHEEL COMP.               | 1       |                |
| 007 | 90201-878-003 | NUT, SPECIAL, 14MM           | 1       |                |
| 009 | 28451-ZH7-801 | PULLEY, STARTER              | 1       |                |
| 009 | 28451-ZH7-801 | PULLEY, STARTER              | 1       | 4363434        |
| 010 | 28451-ZH7-003 | PULLEY, STARTER              | 1       |                |
| 010 | 28451-ZH7-003 | PULLEY, STARTER              | 1       | 4363433        |



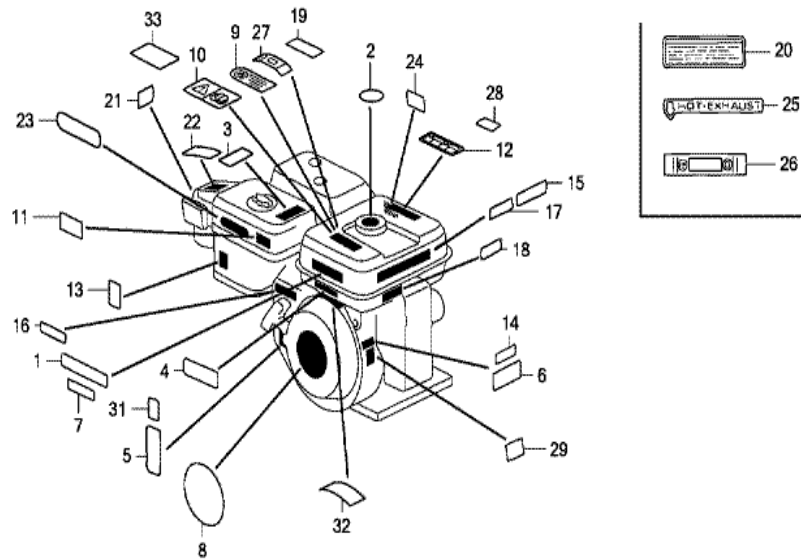
| Ref        | Partnumber        | Description                    | GX120K1        | Serial Numbers        |
|------------|-------------------|--------------------------------|----------------|-----------------------|
| 001        | 12204-ZE1-306     | GUIDE, IN. VALVE (OS)          | (1)            |                       |
| 002        | 12205-ZE1-315     | GUIDE, EX. VALVE (OS)          | (1)            |                       |
| 003        | 12210-ZH7-405     | HEAD COMP., CYLINDER           | 1              |                       |
| 003        | 12210-ZH7-405     | HEAD COMP., CYLINDER           | 1              | 4516043               |
| 003        | 12210-ZH7-415     | HEAD COMP., CYLINDER           | 1              |                       |
| 003        | 12210-ZH7-415     | HEAD COMP., CYLINDER           | 1              | 4516044               |
| 004        | 12216-ZE5-300     | CLIP, VALVE GUIDE              | 1              |                       |
| 005        | 12251-ZH7-800     | GASKET, CYLINDER HEAD          | (1)            |                       |
| 005        | 12251-ZH7-800     | GASKET, CYLINDER HEAD          | 1              |                       |
| 006        | 12310-ZE1-020     | COVER COMP., HEAD              | 1              |                       |
| 006        | 12310-ZE1-020     | COVER COMP., HEAD              | 1              |                       |
| 007        | 12391-ZE1-000     | PACKING, HEAD COVER            | 1              |                       |
| 008        | 15721-ZH8-000     | TUBE, BREATHER                 | (1)            |                       |
| <u>Ref</u> | <u>Partnumber</u> | <u>Description</u>             | <u>GX120K1</u> | <u>Serial Numbers</u> |
| 008        | 15721-ZH8-000     | TUBE, BREATHER                 | 1              |                       |
| 009        | 90013-883-000     | BOLT, FLANGE, 6X12 (CT200)     | 4              |                       |
| 010        | 90043-ZE1-020     | BOLT, STUD, 6X112              | 2              |                       |
| 010        | 90043-ZE1-020     | BOLT, STUD, 6X112              | 2              |                       |
| 011        | 90047-ZE1-000     | BOLT, STUD, 8X32               | 2              |                       |
| 012        | 94301-10160       | DOWEL PIN, 10X16               | 2              |                       |
| 014        | 95723-0805500     | BOLT, FLANGE, 8X55             | 4              |                       |
| 014        | 95723-0805500     | BOLT, FLANGE, 8X55             | 4              |                       |
| 015        | 98079-56846       | PLUG, SPARK (BPR6ES) (NGK)     | (1)            |                       |
| 015        | 98079-56846       | PLUG, SPARK (BPR6ES) (NGK)     | 1              |                       |
| 015        | 98079-56855       | PLUG, SPARK (W20EPR-U) (DENSO) | (1)            |                       |
| 015        | 98079-56855       | PLUG, SPARK (W20EPR-U) (DENSO) | 1              |                       |



| Ref | Partnumber    | Description                               | GX120K1 | Serial Numbers  |
|-----|---------------|---|---------|-----------------|
| 001 | 30500-ZE1-043 | COIL ASSY., IGNITION                      | 1       | 4450768         |
| 001 | 30500-ZE1-043 | COIL ASSY., IGNITION                      | 1       | 4450768         |
| 001 | 30500-ZE1-053 | COIL ASSY., IGNITION                      | 1       | 4456559         |
| 001 | 30500-ZE1-053 | COIL ASSY., IGNITION                      | 1       | 4450769 4456559 |
| 001 | 30500-ZE1-063 | COIL ASSY., IGNITION                      | 1       | 4456560         |
| 001 | 30500-ZE1-063 | COIL ASSY., IGNITION                      | 1       | 4456560         |
| 002 | 30700-ZE1-013 | CAP ASSY., NOISE SUPPRESSOR (NICHIIWA Y-E | (1)     |                 |
| 002 | 30700-ZE1-013 | CAP ASSY., NOISE SUPPRESSOR (NICHIIWA Y-E | 1       |                 |
| 013 | 90121-952-000 | BOLT, FLANGE, 6X25 (CT200)                | 2       |                 |

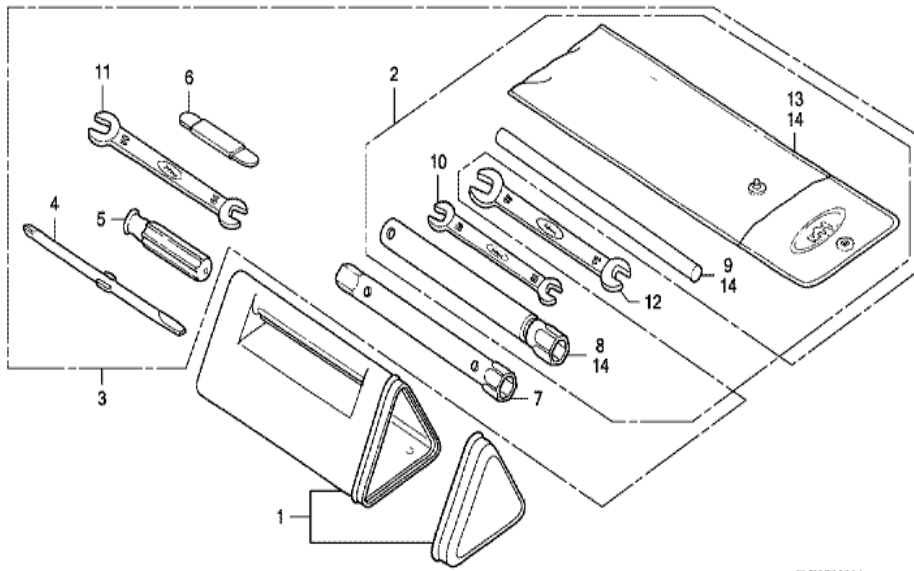


| <u>Ref</u> | <u>Partnumber</u> | <u>Description</u>         | <u>GX120K1</u> | <u>Serial Numbers</u> |
|------------|-------------------|----------------------------|----------------|-----------------------|
| 004        | 16500-ZH7-U42     | CONTROL ASSY. (SAKAI)      | 1              |                       |
| 004        | 16500-ZH7-U42     | CONTROL ASSY. (SAKAI)      | 1              |                       |
| 008        | 16551-ZE0-010     | ARM, GOVERNOR              | 1              |                       |
| 010        | 16555-ZE0-000     | ROD, GOVERNOR              | 1              |                       |
| 012        | 16561-ZE0-020     | SPRING, GOVERNOR           | 1              |                       |
| 013        | 16562-ZE0-020     | SPRING, THROTTLE RETURN    | 1              |                       |
| 014        | 16571-ZH7-U41     | LEVER, CONTROL             | 1              |                       |
| 014        | 16571-ZH7-U41     | LEVER, CONTROL             | 1              |                       |
| 015        | 16574-ZE1-000     | SPRING, LEVER              | 1              |                       |
| 016        | 16575-ZH8-000     | WASHER, CONTROL LEVER      | 1              |                       |
| 017        | 16576-891-000     | HOLDER, CABLE              | 1              |                       |
| 018        | 16578-ZE1-000     | SPACER, CONTROL LEVER      | 1              |                       |
| 020        | 16580-ZH7-U40     | BASE COMP., CONTROL (###)  | 1              |                       |
| <u>Ref</u> | <u>Partnumber</u> | <u>Description</u>         | <u>GX120K1</u> | <u>Serial Numbers</u> |
| 020        | 16580-ZH7-U40     | BASE COMP., CONTROL (###)  | 1              |                       |
| 021        | 16584-883-300     | SPRING, CONTROL ADJUSTING  | 1              |                       |
| 022        | 16592-ZE1-810     | SPRING, CABLE RETURN       | 1              |                       |
| 027        | 90013-883-000     | BOLT, FLANGE, 6X12 (CT200) | 1              |                       |
| 028        | 90015-ZE5-010     | BOLT, GOVERNOR ARM         | 1              |                       |
| 030        | 93500-050250H     | SCREW, PAN, 5X25           | 1              |                       |
| 030        | 93500-050250H     | SCREW, PAN, 5X25           | 1              |                       |
| 031        | 90022-888-010     | BOLT, FLANGE, 6X20 (CT200) | 1              |                       |
| 032        | 90114-SA0-000     | NUT, SELF-LOCK, 6MM        | 1              |                       |
| 036        | 93500-050160A     | SCREW, PAN, 5X16           | 1              |                       |
| 038        | 94050-06000       | NUT, FLANGE, 6MM           | 1              |                       |



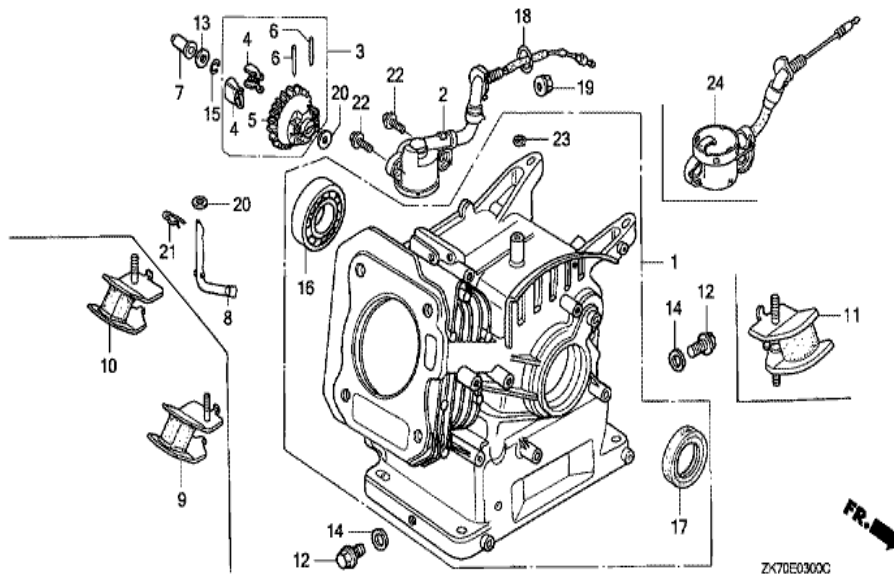
ZK70E2800D

| Ref | Partnumber    | Description                | GX120K1 | Serial Numbers |
|-----|---------------|----------------------------|---------|----------------|
| 004 | 87135-ZE2-020 | LABEL, E-SPEC (15.5X27.5)  | 1       |                |
| 004 | 87135-ZE2-020 | LABEL, E-SPEC (15.5X27.5)  | 1       | 4410587        |
| 008 | 87521-ZH7-030 | EMBLEM (4.0)               | 1       |                |
| 008 | 87521-ZH7-030 | EMBLEM (4.0)               | 1       |                |
| 010 | 87522-ZH8-W41 | MARK, CAUTION (PICTOGRAPH) | 1       |                |
| 013 | 87528-733-E90 | MARK, CHOKE (H=36)         | 1       | 4335503        |
| 013 | 87528-733-E90 | MARK, CHOKE (H=36)         | 1       | 4335503        |
| 013 | 87528-733-E91 | MARK, CHOKE (H=34)         | 1       | 4550192        |
| 013 | 87528-733-E91 | MARK, CHOKE (H=34)         | 1       | 4335504        |
| 016 | 87532-ZH8-W40 | MARK, THROTTLE INDICATION  | 1       | 4453887        |
| 016 | 87532-ZH8-W40 | MARK, THROTTLE INDICATION  | 1       |                |



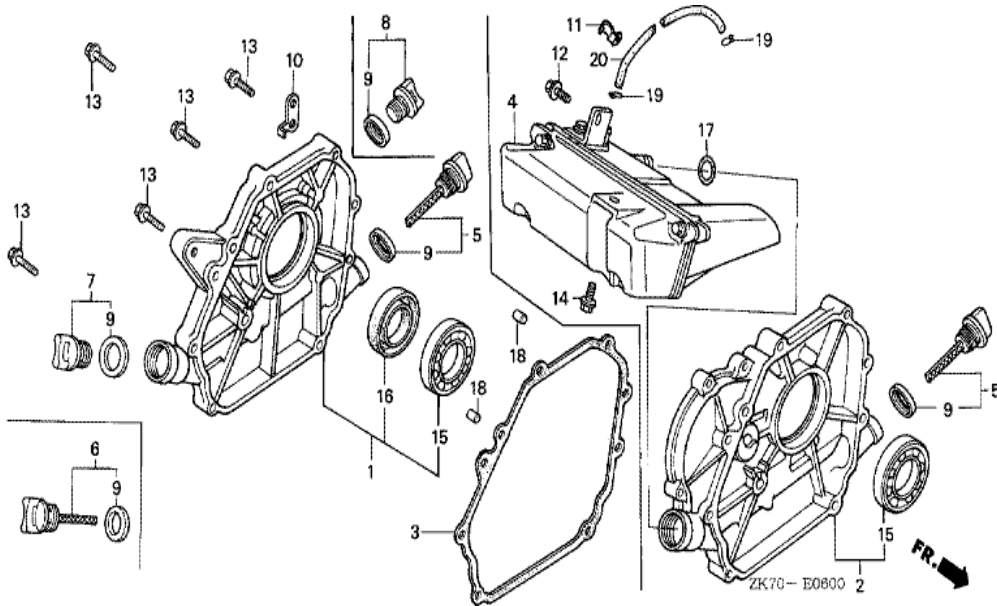
ZK70E2900A

| Ref | Partnumber    | Description              | GX120K1 | Serial Numbers |
|-----|---------------|--------------------------|---------|----------------|
| 008 | 89218-ZE1-000 | WRENCH COMP., SPARK PLUG | 1       |                |



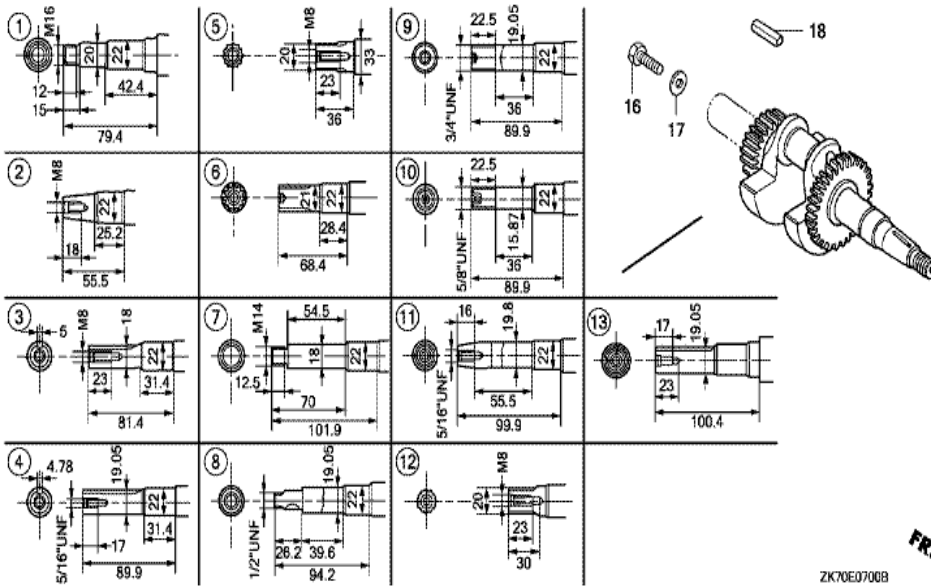
ZK70E0300C

| <u>Ref</u> | <u>Partnumber</u> | <u>Description</u>         | <u>GX120K1</u> | <u>Serial Numbers</u> |
|------------|-------------------|----------------------------|----------------|-----------------------|
| 001        | 12000-ZH7-425     | BARREL ASSY., CYLINDER     | (1)            |                       |
| 001        | 12000-ZH7-425     | BARREL ASSY., CYLINDER     | 1              |                       |
| 002        | 15510-ZE1-033     | SWITCH ASSY., OIL LEVEL    | 1              |                       |
| 003        | 16510-ZE1-000     | GOVERNOR ASSY.             | 1              |                       |
| 004        | 16511-ZE1-000     | WEIGHT, GOVERNOR           | 2              |                       |
| 005        | 16512-ZE1-000     | HOLDER, GOVERNOR WEIGHT    | 1              |                       |
| 006        | 16513-ZE1-000     | PIN, GOVERNOR WEIGHT       | 2              |                       |
| 007        | 16531-ZE1-000     | SLIDER, GOVERNOR           | 1              |                       |
| 008        | 16541-ZE1-000     | SHAFT, GOVERNOR ARM        | 1              |                       |
| 012        | 90131-ZE1-000     | BOLT, DRAIN PLUG           | 2              |                       |
| 013        | 90451-ZE1-000     | WASHER, THRUST, 6MM        | 1              |                       |
| 014        | 90601-ZE1-000     | WASHER, DRAIN PLUG, 10.2MM | 2              |                       |
| 015        | 90602-ZE1-000     | CLIP, GOVERNOR HOLDER      | 1              |                       |
| <u>Ref</u> | <u>Partnumber</u> | <u>Description</u>         | <u>GX120K1</u> | <u>Serial Numbers</u> |
| 016        | 91001-878-003     | BEARING, RADIAL BALL,      | 1              |                       |
| 017        | 91202-ZE6-013     | OIL SEAL, 22X35X6          | 1              |                       |
| 018        | 91353-671-004     | O-RING, 14MM (NOK)         | 1              |                       |
| 019        | 94050-10000       | NUT, FLANGE, 10MM          | 1              |                       |
| 020        | 94101-06800       | WASHER, PLAIN, 6MM         | 2              |                       |
| 021        | 94251-08000       | PIN, LOCK, 8MM             | 1              |                       |
| 022        | 95701-0601200     | BOLT, FLANGE, 6X12         | 2              |                       |

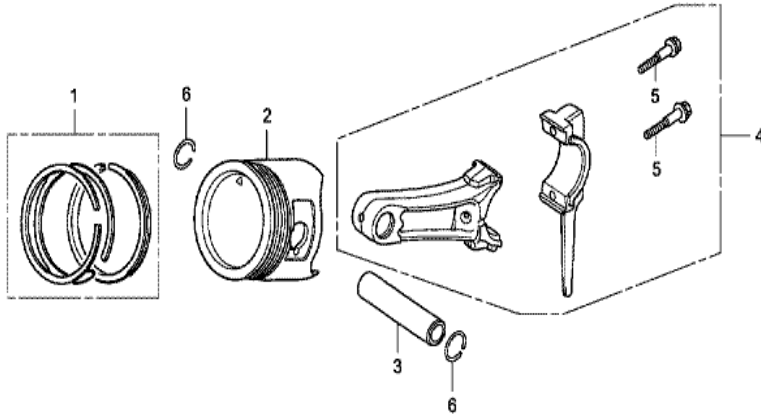


| Ref | Partnumber    | Description                  | GX120K1 | Serial Numbers |
|-----|---------------|------------------------------|---------|----------------|
| 001 | 11300-ZE0-634 | COVER ASSY., CRANKCASE       | 1       |                |
| 001 | 11300-ZE0-634 | COVER ASSY., CRANKCASE       | 1       |                |
| 003 | 11381-ZH7-800 | PACKING, CASE COVER          | 1       |                |
| 005 | 15600-ZE1-003 | CAP ASSY., OIL FILLER (GRAY) | 1       |                |
| 007 | 15600-ZG4-003 | CAP ASSY., OIL FILLER        | 1       |                |
| 009 | 15625-ZE1-003 | PACKING, OIL FILLER CAP      | 1       |                |
| 009 | 15625-ZE1-003 | PACKING, OIL FILLER CAP      | 2       |                |
| 013 | 90015-883-000 | BOLT, FLANGE, 6X28 (CT200)   | 7       |                |
| 015 | 91001-878-003 | BEARING, RADIAL BALL,        | 1       |                |
| 016 | 91203-ZE0-013 | OIL SEAL, 22X41X6            | 1       |                |
| 018 | 94301-08140   | DOWEL PIN, 8X14              | 2       |                |





| Ref | Partnumber    | Description          | GX120K1 | Serial Numbers |
|-----|---------------|----------------------|---------|----------------|
| 003 | 13310-ZE0-000 | CRANKSHAFT COMP.     | 1       |                |
| 016 | 92101-080250A | BOLT, HEX., 8X25     | 1       |                |
| 016 | 92101-080250A | BOLT, HEX., 8X25     | 1       |                |
| 017 | 90473-842-000 | WASHER, 8MM          | 1       |                |
| 018 | 90741-883-810 | KEY, 5X5X33 (YELLOW) | 1       |                |

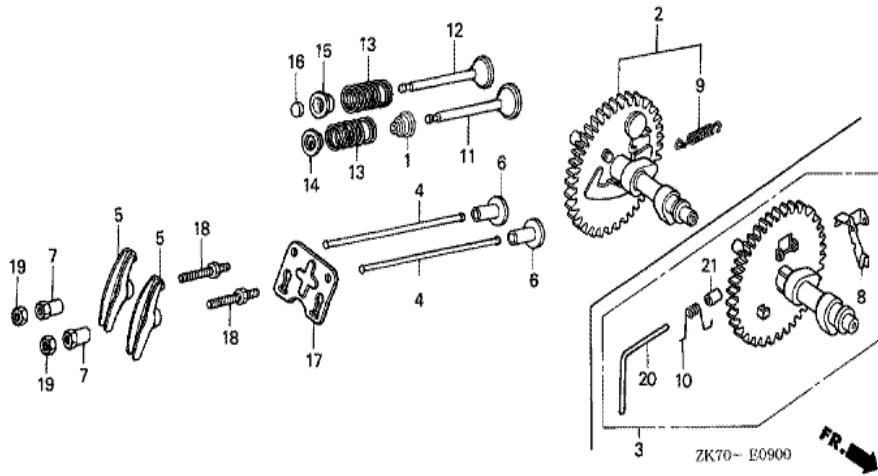


ZK70E0800A



| Ref | Partnumber    | Description                       | GX120K1 | Serial Numbers |
|-----|---------------|-----------------------------------|---------|----------------|
| 001 | 13010-ZH7-003 | RING SET, PISTON (STD.) (TEIKOKU) | 1       | 4554249        |
| 001 | 13010-ZH7-003 | RING SET, PISTON (STD.) (TEIKOKU) | 1       |                |
| 001 | 13010-ZH7-004 | RING SET, PISTON (STD.) (NIPPON)  | 1       | 4554249        |
| 001 | 13010-ZH7-004 | RING SET, PISTON (STD.) (NIPPON)  | 1       |                |
| 001 | 13011-ZH7-003 | RING SET, PISTON (0.25) (TEIKOKU) | (1)     |                |
| 001 | 13011-ZH7-003 | RING SET, PISTON (0.25) (TEIKOKU) | (1)     |                |
| 001 | 13011-ZH7-004 | RING SET, PISTON (0.25) (NIPPON)  | (1)     |                |
| 001 | 13011-ZH7-004 | RING SET, PISTON (0.25) (NIPPON)  | (1)     |                |
| 001 | 13012-ZH7-003 | RING SET, PISTON (0.50) (TEIKOKU) | (1)     | 4554249        |
| 001 | 13012-ZH7-003 | RING SET, PISTON (0.50) (TEIKOKU) | (1)     |                |
| 001 | 13012-ZH7-004 | RING SET, PISTON (0.50) (NIPPON)  | (1)     | 4554249        |
| 001 | 13012-ZH7-004 | RING SET, PISTON (0.50) (NIPPON)  | (1)     |                |
| 001 | 13013-ZH7-003 | RING SET, PISTON (0.75) (TEIKOKU) | (1)     | 4554249        |

| <u>Ref</u> | <u>Partnumber</u> | <u>Description</u>                | <u>GX120K1</u> | <u>Serial Numbers</u> |
|------------|-------------------|-----------------------------------|----------------|-----------------------|
| 001        | 13013-ZH7-003     | RING SET, PISTON (0.75) (TEIKOKU) | (1)            |                       |
| 001        | 13013-ZH7-004     | RING SET, PISTON (0.75) (NIPPON)  | (1)            |                       |
| 001        | 13013-ZH7-004     | RING SET, PISTON (0.75) (NIPPON)  | (1)            |                       |
| 002        | 13101-ZH7-010     | PISTON (STD.)                     | 1              |                       |
| 002        | 13101-ZH7-010     | PISTON (STD.)                     | 1              |                       |
| 002        | 13101-ZH7-010     | PISTON (STD.)                     | 1              | 4554249               |
| 002        | 13102-ZH7-010     | PISTON (0.25)                     | (1)            | 4554249               |
| 002        | 13102-ZH7-010     | PISTON (0.25)                     | (1)            |                       |
| 002        | 13102-ZH7-010     | PISTON (0.25)                     | (1)            | 4554249               |
| 002        | 13103-ZH7-010     | PISTON (0.50)                     | (1)            | 4554249               |
| 002        | 13103-ZH7-010     | PISTON (0.50)                     | (1)            |                       |
| 002        | 13103-ZH7-010     | PISTON (0.50)                     | (1)            | 4554249               |
| 002        | 13104-ZH7-010     | PISTON (0.75)                     | (1)            |                       |
| 002        | 13104-ZH7-010     | PISTON (0.75)                     | (1)            |                       |
| 002        | 13104-ZH7-010     | PISTON (0.75)                     | (1)            | 4554249               |
| 003        | 13111-ZE0-000     | PIN, PISTON                       | 1              |                       |
| 004        | 13200-ZE0-000     | ROD ASSY., CONNECTING             | 1              |                       |
| 005        | 90001-ZE1-000     | BOLT, CONNECTING ROD              | 2              |                       |
| 006        | 90551-ZE0-000     | CLIP, PISTON PIN, 13MM            | 2              |                       |



| <u>Ref</u> | <u>Partnumber</u> | <u>Description</u>         | <u>GX120K1</u> | <u>Serial Numbers</u> |
|------------|-------------------|----------------------------|----------------|-----------------------|
| 001        | 12209-ZH8-003     | SEAL, VALVE STEM           | 1              |                       |
| 002        | 14100-ZE0-812     | CAMSHAFT ASSY.             | 1              |                       |
| 004        | 14410-ZE0-010     | ROD, PUSH                  | 2              |                       |
| 005        | 14431-ZE1-000     | ARM, VALVE ROCKER          | 2              |                       |
| 006        | 14441-ZE1-010     | LIFTER, VALVE              | 2              |                       |
| 007        | 14451-ZE1-013     | PIVOT, ROCKER ARM          | 2              |                       |
| 007        | 14451-ZE1-013     | PIVOT, ROCKER ARM          | 2              |                       |
| 009        | 14568-ZE1-000     | SPRING, WEIGHT RETURN      | 1              |                       |
| 011        | 14711-ZF0-010     | VALVE, IN.                 | 1              |                       |
| 011        | 14711-ZF0-010     | VALVE, IN.                 | 1              |                       |
| 012        | 14721-ZF0-000     | VALVE, EX.                 | 1              |                       |
| 013        | 14751-ZF1-000     | SPRING, VALVE              | 2              |                       |
| 014        | 14771-ZE1-000     | RETAINER, IN. VALVE SPRING | 1              |                       |
| <u>Ref</u> | <u>Partnumber</u> | <u>Description</u>         | <u>GX120K1</u> | <u>Serial Numbers</u> |
| 015        | 14773-ZE1-000     | RETAINER, EX. VALVE SPRING | 1              |                       |
| 016        | 14781-ZE1-000     | ROTATOR, VALVE             | 1              |                       |
| 017        | 14791-ZE0-010     | PLATE, PUSH ROD GUIDE      | 1              |                       |
| 018        | 90012-ZE0-010     | BOLT, PIVOT, 8MM           | 2              |                       |
| 019        | 90206-ZE1-000     | NUT, PIVOT ADJUSTING       | 2              |                       |