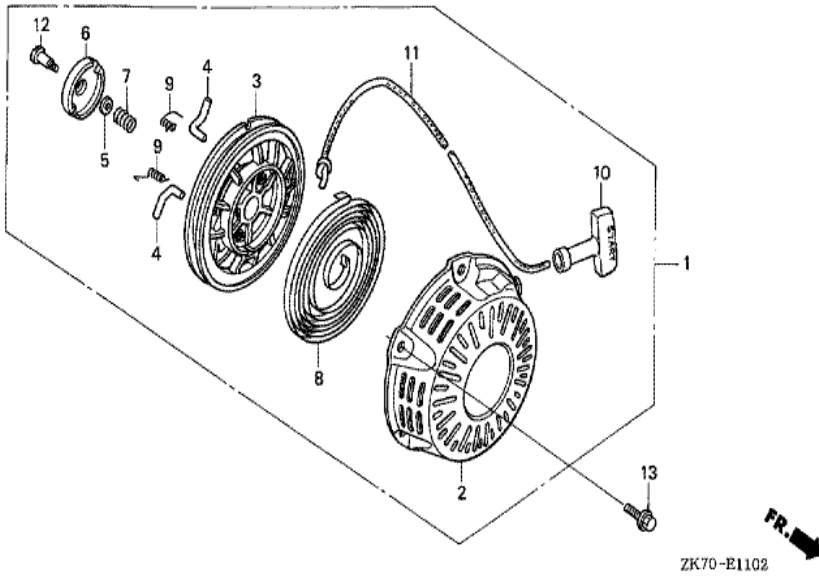




ZK70-E1100



<u>Ref</u>	<u>Partnumber</u>	<u>Description</u>	<u>GX120K1</u>	<u>Serial Numbers</u>
001	28400-ZH8-013YA	STARTER ASSY., RECOIL *R280 *	1	4363433
001	28400-ZH8-013YA	STARTER ASSY., RECOIL *R280 *	(1)	4363433
001	28400-ZH8-013ZB	STARTER ASSY., RECOIL *NH1 *	(1)	4363433
001	28400-ZH8-013ZB	STARTER ASSY., RECOIL *NH1 *	(1)	4363433
002	28410-ZH8-003YA	CASE COMP., RECOIL STARTER *R280 *	1	
002	28410-ZH8-003YA	CASE COMP., RECOIL STARTER *R280 *	(1)	4363433
002	28410-ZH8-003ZB	CASE COMP., RECOIL STARTER *NH1 *	(1)	4363433
002	28410-ZH8-003ZB	CASE COMP., RECOIL STARTER *NH1 *	(1)	4363433
003	28420-ZH8-013	REEL, RECOIL STARTER (NATURAL)	1	
003	28420-ZH8-013	REEL, RECOIL STARTER (NATURAL)	(1)	4363433
004	28422-ZH8-013	RATCHET, STARTER	2	
004	28422-ZH8-013	RATCHET, STARTER	(2)	4363433
005	28433-ZH8-003	GUIDE, RATCHET	1	
<u>Ref</u>	<u>Partnumber</u>	<u>Description</u>	<u>GX120K1</u>	<u>Serial Numbers</u>
005	28433-ZH8-003	GUIDE, RATCHET	(1)	4363433
006	28441-ZH8-003	SPRING, FRICTION	1	
006	28441-ZH8-003	SPRING, FRICTION	(1)	4363433
007	28442-ZH8-003	SPRING, RECOIL STARTER	1	
007	28442-ZH8-003	SPRING, RECOIL STARTER	(1)	4363433
008	28443-ZH8-003	SPRING, RETURN	2	
008	28443-ZH8-003	SPRING, RETURN	(2)	4363433
009	28461-ZH8-003	GRIP, STARTER	1	
009	28461-ZH8-003	GRIP, STARTER	(1)	4363433
010	28462-ZH8-003	ROPE, RECOIL STARTER	1	
010	28462-ZH8-003	ROPE, RECOIL STARTER	(1)	4363433
010	28470-816-000	ROPE, STARTER	(1)	4363433
010	28470-816-000	ROPE, STARTER	(1)	4363433
011	90003-ZH8-003	SCREW, SETTING	1	
011	90003-ZH8-003	SCREW, SETTING	(1)	4363433
012	90008-ZE2-003	BOLT, FLANGE, 6X10	3	
012	90008-ZE2-003	BOLT, FLANGE, 6X10	(3)	4363433



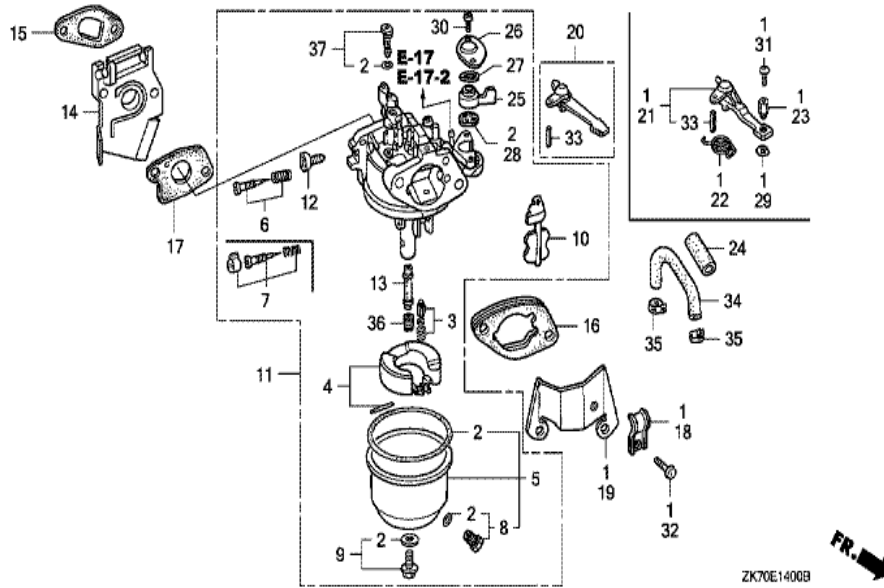
ZK70-E1102

Ref	Partnumber	Description	GX120K1	Serial Numbers
001	28400-ZH8-023YA	STARTER ASSY., RECOIL *R280 *	1	
001	28400-ZH8-023YA	STARTER ASSY., RECOIL *R280 *	(1)	4363434 4657598
001	28400-ZH8-023YA	STARTER ASSY., RECOIL *R280 *	(1)	4363434 4657598
001	28400-ZH8-023ZB	STARTER ASSY., RECOIL *NH1 *	(1)	4363434 4657598
001	28400-ZH8-023ZB	STARTER ASSY., RECOIL *NH1 *	(1)	4363434
001	28400-ZH8-023ZB	STARTER ASSY., RECOIL *NH1 *	(1)	4363434 4657598
001	28400-ZH8-033YA	STARTER ASSY., RECOIL *R280*	(1)	4657599
001	28400-ZH8-033YA	STARTER ASSY., RECOIL *R280*	(1)	4657599
001	28400-ZH8-033YA	STARTER ASSY., RECOIL *R280*	(1)	4657599
002	28410-ZH8-003YA	CASE COMP., RECOIL STARTER *R280 *	1	
002	28410-ZH8-003YA	CASE COMP., RECOIL STARTER *R280 *	(1)	4363434
002	28410-ZH8-003ZB	CASE COMP., RECOIL STARTER *NH1 *	1	4363434
002	28410-ZH8-003ZB	CASE COMP., RECOIL STARTER *NH1 *	(1)	4363434

<u>Ref</u>	<u>Partnumber</u>	<u>Description</u>	<u>GX120K1</u>	<u>Serial Numbers</u>
003	28421-ZH8-801	REEL, RECOIL STARTER (BLACK)	1	
003	28421-ZH8-801	REEL, RECOIL STARTER (BLACK)	(1)	4363634
004	28422-ZH8-801	RATCHET, STARTER	2	
004	28422-ZH8-801	RATCHET, STARTER	(2)	4363434
005	28431-ZH8-801	PLATE, FRICTION	1	
005	28431-ZH8-801	PLATE, FRICTION	(1)	4363434
006	28433-ZH8-801	GUIDE, RATCHET	1	
006	28433-ZH8-801	GUIDE, RATCHET	(1)	4363434
007	28441-ZH8-801	SPRING, FRICTION	1	
007	28441-ZH8-801	SPRING, FRICTION	(1)	4363434
008	28442-ZH8-003	SPRING, RECOIL STARTER	1	
008	28442-ZH8-003	SPRING, RECOIL STARTER	(1)	4363434
009	28443-ZH8-801	SPRING, RETURN	2	
009	28443-ZH8-801	SPRING, RETURN	(2)	4363434
010	28461-ZH8-003	GRIP, STARTER	1	
010	28461-ZH8-003	GRIP, STARTER	(1)	4363434 4657598
010	28461-ZH8-003	GRIP, STARTER	(1)	4363434 4657598
010	28461-ZH8-013	KNOB, RECOIL STARTER	(1)	4657599
010	28461-ZH8-013	KNOB, RECOIL STARTER	(1)	4657599
010	28461-ZH8-013	KNOB, RECOIL STARTER	(1)	4657599
011	28462-ZH8-003	ROPE, RECOIL STARTER	1	
011	28462-ZH8-003	ROPE, RECOIL STARTER	(1)	4363434
012	90003-ZH8-801	SCREW, SETTING	1	
012	90003-ZH8-801	SCREW, SETTING	(1)	4363434
013	90008-ZE2-003	BOLT, FLANGE, 6X10	3	
013	90008-ZE2-003	BOLT, FLANGE, 6X10	(3)	4363434

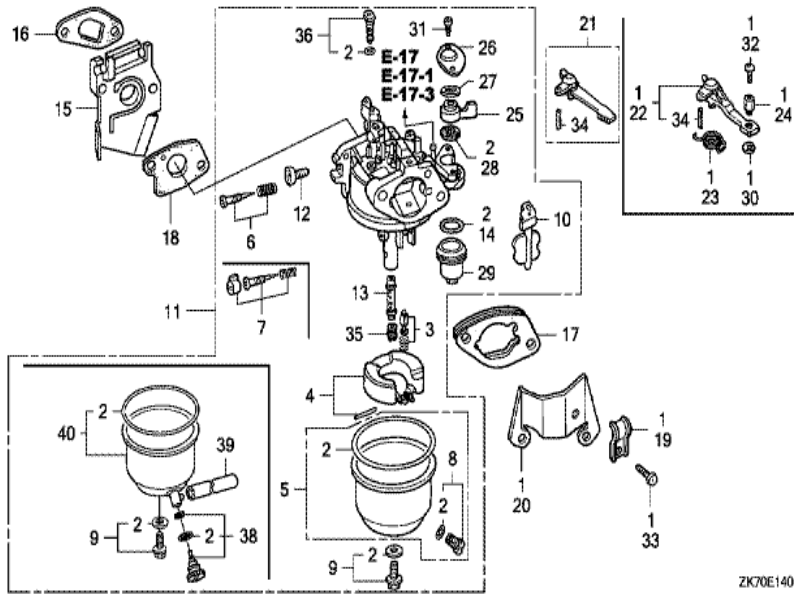


<u>Ref</u>	<u>Partnumber</u>	<u>Description</u>	<u>GX120K1</u>	<u>Serial Numbers</u>
001	11347-371-300	GROMMET, ADJUSTING COVER	1	
002	19610-ZE0-000ZS	COVER COMP., FAN *R280 *	(1)	
002	19610-ZE0-000ZS	COVER COMP., FAN *R280 *	(1)	
003	19612-ZH7-000	PLATE, SIDE (STD.)	(1)	
003	19612-ZH7-000	PLATE, SIDE (STD.)	(1)	
004	19612-ZH7-821	PLATE, SIDE (LAMP)	1	
004	19612-ZH7-821	PLATE, SIDE (LAMP)	(1)	
006	19630-ZH7-000	SHROUD COMP.	1	
009	34150-ZH7-003	ALERT UNIT, OIL	1	
009	34150-ZH7-003	ALERT UNIT, OIL	(1)	4572370
009	34150-ZH7-013	ALERT UNIT, OIL	(1)	4572371
009	34150-ZH7-013	ALERT UNIT, OIL	(1)	4572371
010	36100-ZE1-015	SWITCH ASSY., ENGINE STOP	(1)	
<u>Ref</u>	<u>Partnumber</u>	<u>Description</u>	<u>GX120K1</u>	<u>Serial Numbers</u>
010	36100-ZE1-015	SWITCH ASSY., ENGINE STOP	(1)	
011	36101-ZE1-010	CORD, STOP SWITCH (370MM)	1	
013	90013-883-000	BOLT, FLANGE, 6X12 (CT200)	4	
013	90013-883-000	BOLT, FLANGE, 6X12 (CT200)	6	
014	90022-888-010	BOLT, FLANGE, 6X20 (CT200)	1	
016	95701-0600800	BOLT, FLANGE, 6X8	1	
016	95701-0600800	BOLT, FLANGE, 6X8	(1)	
018	90601-ZH7-013	CLIP, HARNESS	1	
018	90601-ZH7-013	CLIP, HARNESS	(1)	



Ref	Partnumber	Description	GX120K1	Serial Numbers
001	06164-ZE1-000	CHOKE KIT, REMOTE CONTROL	(1)	
002	16010-ZE0-025	GASKET SET	(1)	
002	16010-ZE0-025	GASKET SET	(1)	
003	16011-ZE0-005	VALVE SET, FLOAT	1	
003	16011-ZE0-005	VALVE SET, FLOAT	(1)	
004	16013-ZE0-005	FLOAT SET	1	
004	16013-ZE0-005	FLOAT SET	(1)	
005	16015-ZE0-831	CHAMBER SET, FLOAT	1	
005	16015-ZE0-831	CHAMBER SET, FLOAT	(1)	
006	16016-ZE0-005	SCREW SET, PILOT	1	
006	16016-ZE0-005	SCREW SET, PILOT	(1)	
006	16016-ZE0-005	SCREW SET, PILOT	(1)	
008	16024-ZE1-811	SCREW SET, DRAIN	1	

<u>Ref</u>	<u>Partnumber</u>	<u>Description</u>	<u>GX120K1</u>	<u>Serial Numbers</u>
008	16024-ZE1-811	SCREW SET, DRAIN	(1)	
009	16028-ZE0-005	SCREW SET	1	
009	16028-ZE0-005	SCREW SET	(1)	
010	16044-ZE0-005	CHOKE SET	1	
010	16044-ZE0-005	CHOKE SET	(1)	
011	16100-ZH7-812	CARBURETOR ASSY. (BE12B C)	(1)	
011	16100-ZH7-812	CARBURETOR ASSY. (BE12B C)	(1)	
012	16124-ZE0-005	SCREW, THROTTLE STOP	1	
012	16124-ZE0-005	SCREW, THROTTLE STOP	(1)	
013	16166-ZH7-W50	NOZZLE, MAIN	(1)	
013	16166-ZH7-W50	NOZZLE, MAIN	(1)	
014	16211-ZE0-000	INSULATOR, CARBURETOR	1	
015	16212-ZH7-800	PACKING, INSULATOR	1	
015	16212-ZH7-800	PACKING, INSULATOR	(1)	
016	16220-ZE1-020	SPACER COMP., CARBURETOR	1	
017	16221-ZH8-801	PACKING, CARBURETOR	1	
017	16221-ZH8-801	PACKING, CARBURETOR	(1)	
018	16582-883-300	HOLDER, CONTROL CABLE	(1)	
019	16598-ZE1-000	STAY, CHOKE CONTROL	(1)	
020	16610-ZE1-000	LEVER COMP., CHOKE (STD.)	1	
020	16610-ZE1-000	LEVER COMP., CHOKE (STD.)	(1)	
021	16610-ZE1-810	LEVER COMP., CHOKE (REMOTE)	(1)	
022	16615-ZE1-010	SPRING, RETURN	(1)	
023	16617-890-010	HOLDER, CABLE	(1)	
025	16953-ZE1-812	LEVER, COCK	1	
025	16953-ZE1-812	LEVER, COCK	(1)	
026	16954-ZE1-812	PLATE, LEVER SETTING	1	
026	16954-ZE1-812	PLATE, LEVER SETTING	(1)	
027	16956-ZE1-811	SPRING, COCK LEVER	1	
027	16956-ZE1-811	SPRING, COCK LEVER	(1)	
028	16957-ZE1-812	PACKING, FUEL COCK	1	
028	16957-ZE1-812	PACKING, FUEL COCK	(1)	
029	90605-230-000	CIRCLIP, 5MM	(1)	
<u>Ref</u>	<u>Partnumber</u>	<u>Description</u>	<u>GX120K1</u>	<u>Serial Numbers</u>
030	93500-030061H	SCREW, PAN, 3X6	2	
030	93500-030061H	SCREW, PAN, 3X6	(2)	
031	93500-040080A	SCREW, PAN, 4X8	(1)	
032	93500-050080A	SCREW, PAN, 5X8	(1)	
033	94305-20122	PIN, SPRING, 2X12	1	
033	94305-20122	PIN, SPRING, 2X12	(1)	
034	95001-4514040	TUBE, FUEL, 4.5X140 (95001-45001-60M)	(1)	
036	99101-ZH80550	JET, MAIN, #55	(1)	
036	99101-ZH80580	JET, MAIN, #58	(1)	
036	99101-ZH80580	JET, MAIN, #58	(1)	
036	99101-ZH80600	JET, MAIN, #60	(1)	
036	99101-ZH80600	JET, MAIN, #60	(1)	
036	99101-ZH80600	JET, MAIN, #60	(1)	
037	99204-ZE00350	JET SET, PILOT, #35	1	
037	99204-ZE00350	JET SET, PILOT, #35	(1)	



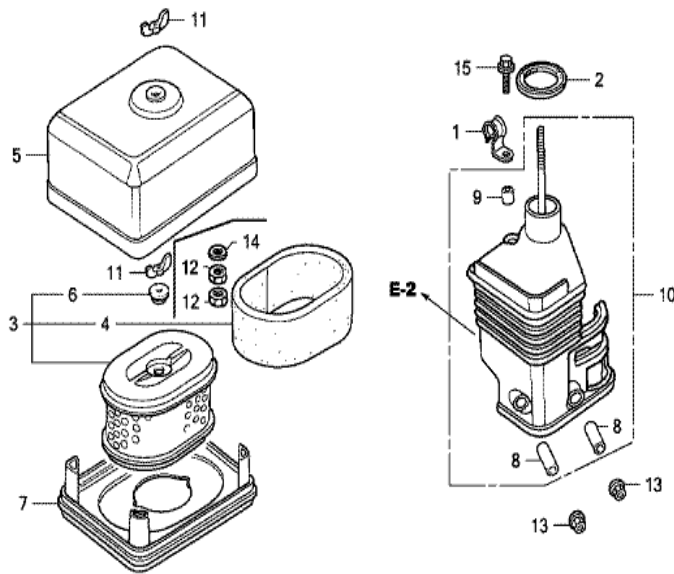
ZK70E1401D



Ref	Partnumber	Description	GX120K1	Serial Numbers
001	06164-ZE1-000	CHOKE KIT, REMOTE CONTROL	(1)	
002	16010-ZE1-812	GASKET SET	(1)	
002	16010-ZE1-812	GASKET SET	(1)	
003	16011-ZE0-005	VALVE SET, FLOAT	1	
003	16011-ZE0-005	VALVE SET, FLOAT	(1)	
004	16013-ZE0-005	FLOAT SET	1	
004	16013-ZE0-005	FLOAT SET	(1)	
005	16015-ZE0-831	CHAMBER SET, FLOAT	1	
005	16015-ZE0-831	CHAMBER SET, FLOAT	(1)	
006	16016-ZE0-005	SCREW SET, PILOT	1	
006	16016-ZE0-005	SCREW SET, PILOT	(1)	
006	16016-ZE0-005	SCREW SET, PILOT	(1)	
008	16024-ZE1-811	SCREW SET, DRAIN	1	

<u>Ref</u>	<u>Partnumber</u>	<u>Description</u>	<u>GX120K1</u>	<u>Serial Numbers</u>
008	16024-ZE1-811	SCREW SET, DRAIN	(1)	
009	16028-ZE0-005	SCREW SET	1	
009	16028-ZE0-005	SCREW SET	(1)	
010	16044-ZE0-005	CHOKE SET	1	
010	16044-ZE0-005	CHOKE SET	(1)	
011	16100-ZH7-801	CARBURETOR ASSY. (BE13A B)	1	
011	16100-ZH7-801	CARBURETOR ASSY. (BE13A B)	(1)	
011	16100-ZH7-822	CARBURETOR ASSY. (BE12A C)	1	
011	16100-ZH7-822	CARBURETOR ASSY. (BE12A C)	(1)	
011	16100-ZH7-822	CARBURETOR ASSY. (BE12A C)	(1)	
011	16100-ZH7-831	CARBURETOR ASSY. (BE12C B)	(1)	
011	16100-ZH7-831	CARBURETOR ASSY. (BE12C B)	(1)	
011	16100-ZH7-831	CARBURETOR ASSY. (BE12C B)	(1)	
012	16124-ZE0-005	SCREW, THROTTLE STOP	1	
012	16124-ZE0-005	SCREW, THROTTLE STOP	(1)	
013	16166-ZH7-800	NOZZLE, MAIN	1	
013	16166-ZH7-820	NOZZLE, MAIN	1	BE12A A
013	16166-ZH7-820	NOZZLE, MAIN	(1)	
013	16166-ZH7-W50	NOZZLE, MAIN	1	
013	16166-ZH7-W50	NOZZLE, MAIN	(1)	
014	16173-001-004	PACKING, FUEL STRAINER CUP	1	
014	16173-001-004	PACKING, FUEL STRAINER CUP	(1)	
015	16211-ZE0-000	INSULATOR, CARBURETOR	1	
016	16212-ZH7-800	PACKING, INSULATOR	1	
016	16212-ZH7-800	PACKING, INSULATOR	(1)	
017	16220-ZE1-020	SPACER COMP., CARBURETOR	1	
017	16220-ZE1-020	SPACER COMP., CARBURETOR	1	
018	16221-ZH8-801	PACKING, CARBURETOR	1	
018	16221-ZH8-801	PACKING, CARBURETOR	(1)	
019	16582-883-300	HOLDER, CONTROL CABLE	1	
019	16582-883-300	HOLDER, CONTROL CABLE	(1)	
020	16598-ZE1-000	STAY, CHOKE CONTROL	1	
020	16598-ZE1-000	STAY, CHOKE CONTROL	(1)	

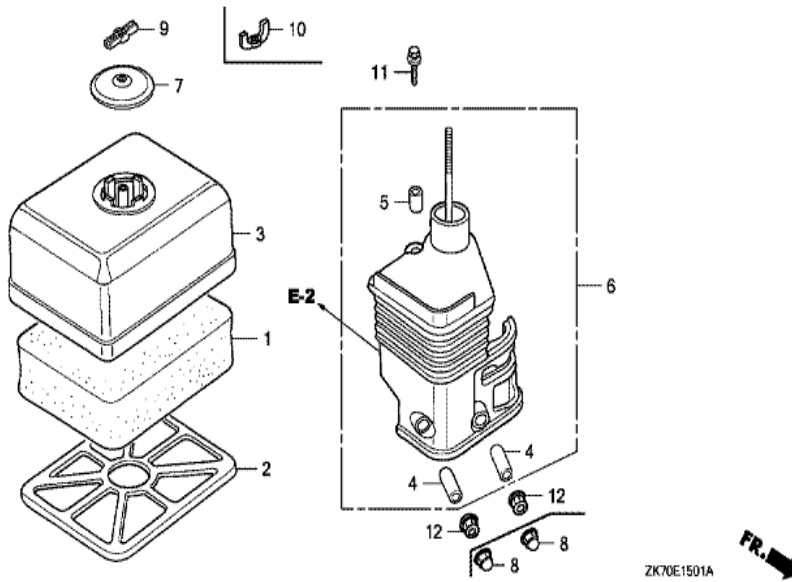
<u>Ref</u>	<u>Partnumber</u>	<u>Description</u>	<u>GX120K1</u>	<u>Serial Numbers</u>
021	16610-ZE1-000	LEVER COMP., CHOKE (STD.)	(1)	
021	16610-ZE1-000	LEVER COMP., CHOKE (STD.)	(1)	
022	16610-ZE1-810	LEVER COMP., CHOKE (REMOTE)	1	
022	16610-ZE1-810	LEVER COMP., CHOKE (REMOTE)	(1)	
023	16615-ZE1-010	SPRING, RETURN	(1)	
024	16617-890-010	HOLDER, CABLE	1	
024	16617-890-010	HOLDER, CABLE	(1)	
025	16953-ZE1-812	LEVER, COCK	1	
025	16953-ZE1-812	LEVER, COCK	(1)	
026	16954-ZE1-812	PLATE, LEVER SETTING	1	
026	16954-ZE1-812	PLATE, LEVER SETTING	(1)	
027	16956-ZE1-811	SPRING, COCK LEVER	1	
027	16956-ZE1-811	SPRING, COCK LEVER	(1)	
028	16957-ZE1-812	PACKING, FUEL COCK	1	
028	16957-ZE1-812	PACKING, FUEL COCK	(1)	
029	16967-ZE0-811	CUP, FUEL STRAINER	1	
029	16967-ZE0-811	CUP, FUEL STRAINER	(1)	
030	90605-230-000	CIRCLIP, 5MM	1	
030	90605-230-000	CIRCLIP, 5MM	(1)	
031	93500-030061H	SCREW, PAN, 3X6	2	
031	93500-030061H	SCREW, PAN, 3X6	(2)	
032	93500-040080A	SCREW, PAN, 4X8	1	
032	93500-040080A	SCREW, PAN, 4X8	(1)	
033	93500-050080A	SCREW, PAN, 5X8	1	
033	93500-050080A	SCREW, PAN, 5X8	(1)	
034	94305-20122	PIN, SPRING, 2X12	1	
034	94305-20122	PIN, SPRING, 2X12	(1)	
035	99101-ZH80550	JET, MAIN, #55	(1)	
035	99101-ZH80550	JET, MAIN, #55	(1)	
035	99101-ZH80580	JET, MAIN, #58	(1)	BE12A B
035	99101-ZH80580	JET, MAIN, #58	(1)	
035	99101-ZH80600	JET, MAIN, #60	(1)	
035	99101-ZH80600	JET, MAIN, #60	(1)	
<u>Ref</u>	<u>Partnumber</u>	<u>Description</u>	<u>GX120K1</u>	<u>Serial Numbers</u>
036	99204-ZE00350	JET SET, PILOT, #35	1	
036	99204-ZE00350	JET SET, PILOT, #35	(1)	



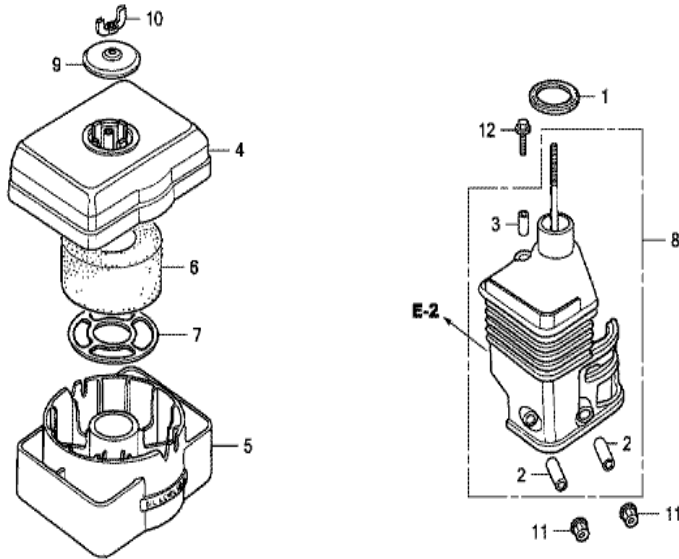
ZK70E1500A



<u>Ref</u>	<u>Partnumber</u>	<u>Description</u>	<u>GX120K1</u>	<u>Serial Numbers</u>
002	16271-ZE1-000	PACKING, ELBOW	1	
002	16271-ZE1-000	PACKING, ELBOW	(1)	
003	17210-ZE0-822	ELEMENT, AIR CLEANER (DUAL)	1	
003	17210-ZE0-822	ELEMENT, AIR CLEANER (DUAL)	(1)	
004	17218-ZE0-821	FILTER, OUTER	1	
004	17218-ZE0-821	FILTER, OUTER	(1)	
005	17230-ZE0-820	COVER, AIR CLEANER (DUAL)	1	
005	17230-ZE0-820	COVER, AIR CLEANER (DUAL)	(1)	
006	17232-891-000	GROMMET, AIR CLEANER	1	
006	17232-891-000	GROMMET, AIR CLEANER	(1)	
007	17235-ZE1-831	NOSE, SILENCER	1	
007	17235-ZE1-831	NOSE, SILENCER	(1)	
008	17238-ZE0-010	COLLAR, AIR CLEANER	2	
<u>Ref</u>	<u>Partnumber</u>	<u>Description</u>	<u>GX120K1</u>	<u>Serial Numbers</u>
008	17238-ZE0-010	COLLAR, AIR CLEANER	(2)	
009	17239-ZE1-000	COLLAR B, AIR CLEANER	1	
009	17239-ZE1-000	COLLAR B, AIR CLEANER	(1)	
010	17410-ZE0-030	ELBOW COMP., AIR CLEANER	1	
010	17410-ZE0-030	ELBOW COMP., AIR CLEANER	(1)	
011	90325-044-000	NUT, TOOL BOX SETTING	1	
011	90325-044-000	NUT, TOOL BOX SETTING	(2)	
013	94050-06000	NUT, FLANGE, 6MM	2	
015	95701-0602000	BOLT, FLANGE, 6X20	1	



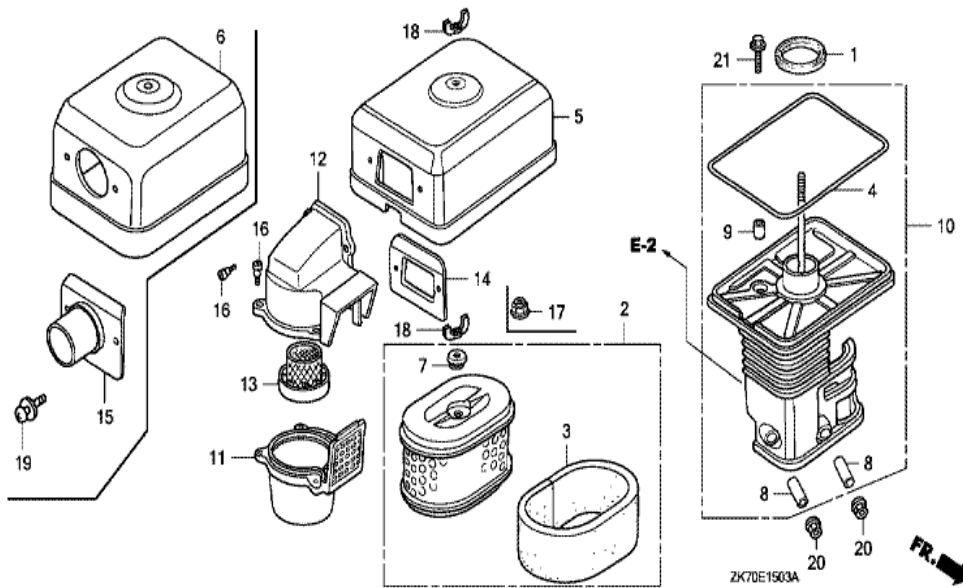
<u>Ref</u>	<u>Partnumber</u>	<u>Description</u>	<u>GX120K1</u>	<u>Serial Numbers</u>
001	17211-ZE1-000	ELEMENT, AIR CLEANER (SEMI DRY)	1	
001	17211-ZE1-000	ELEMENT, AIR CLEANER (SEMI DRY)	(1)	
002	17212-ZE1-000	GRID, AIR CLEANER (SEMI DRY)	1	
002	17212-ZE1-000	GRID, AIR CLEANER (SEMI DRY)	(1)	
003	17231-ZE0-000	COVER, AIR CLEANER (SEMI DRY)	1	
003	17231-ZE0-000	COVER, AIR CLEANER (SEMI DRY)	(1)	
004	17238-ZE0-010	COLLAR, AIR CLEANER	2	
004	17238-ZE0-010	COLLAR, AIR CLEANER	(2)	
005	17239-ZE1-000	COLLAR B, AIR CLEANER	1	
005	17239-ZE1-000	COLLAR B, AIR CLEANER	(1)	
006	17410-ZE0-030	ELBOW COMP., AIR CLEANER	1	
006	17410-ZE0-030	ELBOW COMP., AIR CLEANER	(1)	
006	17410-ZE0-811	ELBOW COMP., AIR CLEANER	(1)	
<u>Ref</u>	<u>Partnumber</u>	<u>Description</u>	<u>GX120K1</u>	<u>Serial Numbers</u>
006	17410-ZE0-811	ELBOW COMP., AIR CLEANER	(1)	
007	17421-ZE1-000	CAP, CLEANER	1	
007	17421-ZE1-000	CAP, CLEANER	(1)	
010	90325-044-000	NUT, TOOL BOX SETTING	1	
010	90325-044-000	NUT, TOOL BOX SETTING	(1)	
011	95701-0602000	BOLT, FLANGE, 6X20	1	
011	95701-0602000	BOLT, FLANGE, 6X20	1	
012	94050-06000	NUT, FLANGE, 6MM	2	



ZK70E1502A

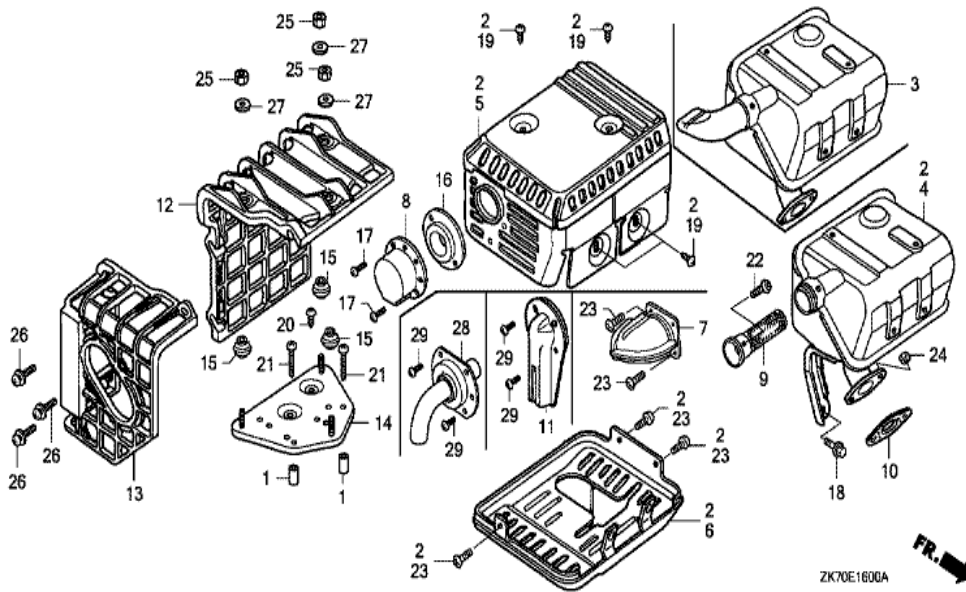


<u>Ref</u>	<u>Partnumber</u>	<u>Description</u>	<u>GX120K1</u>	<u>Serial Numbers</u>
001	16271-ZE1-000	PACKING, ELBOW	1	
001	16271-ZE1-000	PACKING, ELBOW	(1)	
002	17238-ZE0-010	COLLAR, AIR CLEANER	2	
002	17238-ZE0-010	COLLAR, AIR CLEANER	(2)	
003	17239-ZE1-000	COLLAR B, AIR CLEANER	1	
003	17239-ZE1-000	COLLAR B, AIR CLEANER	(1)	
004	17401-ZE1-810	BODY, CLEANER (OIL BATH)	1	
004	17401-ZE1-810	BODY, CLEANER (OIL BATH)	(1)	
005	17402-ZE1-810	PAN, CLEANER OIL (OIL BATH)	1	
005	17402-ZE1-810	PAN, CLEANER OIL (OIL BATH)	(1)	
006	17403-ZE1-810	ELEMENT, AIR CLEANER (OIL BATH)	1	
006	17403-ZE1-810	ELEMENT, AIR CLEANER (OIL BATH)	(1)	
007	17404-841-000	GRID, AIR CLEANER	1	
<u>Ref</u>	<u>Partnumber</u>	<u>Description</u>	<u>GX120K1</u>	<u>Serial Numbers</u>
007	17404-841-000	GRID, AIR CLEANER	(1)	
008	17410-ZE0-811	ELBOW COMP., AIR CLEANER	1	
008	17410-ZE0-811	ELBOW COMP., AIR CLEANER	(1)	
009	17421-ZE1-000	CAP, CLEANER	1	
009	17421-ZE1-000	CAP, CLEANER	(1)	
010	90325-044-000	NUT, TOOL BOX SETTING	1	
010	90325-044-000	NUT, TOOL BOX SETTING	(1)	
011	94050-06000	NUT, FLANGE, 6MM	2	
012	95701-0602000	BOLT, FLANGE, 6X20	1	

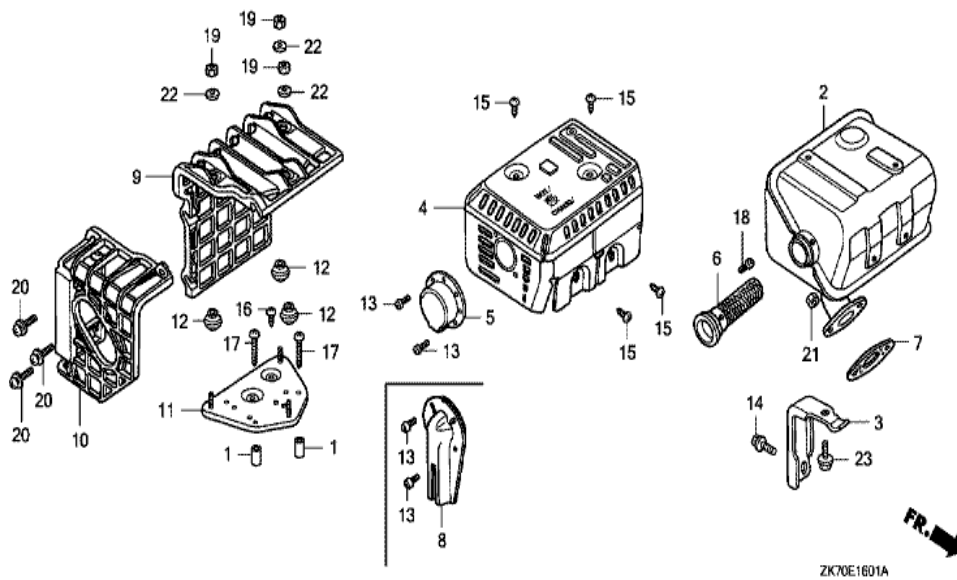


Ref	Partnumber	Description	GX120K1	Serial Numbers
001	16271-ZE1-000	PACKING, ELBOW	1	
001	16271-ZE1-000	PACKING, ELBOW	(1)	
002	17210-ZE1-822	ELEMENT, AIR CLEANER (DUAL)	1	
002	17210-ZE1-822	ELEMENT, AIR CLEANER (DUAL)	(1)	
003	17218-ZE1-821	FILTER, OUTER	1	
003	17218-ZE1-821	FILTER, OUTER	(1)	
004	17219-733-010	PACKING, AIR CLEANER COVER	1	
004	17219-733-010	PACKING, AIR CLEANER COVER	(1)	
005	17230-ZE1-841	COVER, AIR CLEANER (CYCLONE)	1	
005	17230-ZE1-841	COVER, AIR CLEANER (CYCLONE)	(1)	
007	17232-891-000	GROMMET, AIR CLEANER	1	
007	17232-891-000	GROMMET, AIR CLEANER	(1)	
008	17238-ZE0-010	COLLAR, AIR CLEANER	2	

<u>Ref</u>	<u>Partnumber</u>	<u>Description</u>	<u>GX120K1</u>	<u>Serial Numbers</u>
008	17238-ZE0-010	COLLAR, AIR CLEANER	(2)	
009	17239-733-000	COLLAR B, AIR CLEANER	1	
009	17239-733-000	COLLAR B, AIR CLEANER	(1)	
010	17410-ZE0-840	ELBOW COMP., AIR CLEANER	1	
010	17410-ZE0-840	ELBOW COMP., AIR CLEANER	(1)	
011	17470-ZE1-842	CASE, PRE AIR CLEANER	1	
011	17470-ZE1-842	CASE, PRE AIR CLEANER	(1)	
012	17475-ZE1-841	CAP, PRE AIR CLEANER	1	
012	17475-ZE1-841	CAP, PRE AIR CLEANER	(1)	
013	17476-ZE1-841	GUIDE, PRE AIR CLEANER	1	
013	17476-ZE1-841	GUIDE, PRE AIR CLEANER	(1)	
014	17478-ZE1-841	PLATE, PRE AIR CLEANER	1	
014	17478-ZE1-841	PLATE, PRE AIR CLEANER	(1)	
016	90300-GB0-900	BOLT, MUDGUARD	5	
016	90300-GB0-900	BOLT, MUDGUARD	(5)	
018	90325-044-000	NUT, TOOL BOX SETTING	1	
018	90325-044-000	NUT, TOOL BOX SETTING	(2)	
020	94050-06000	NUT, FLANGE, 6MM	2	
021	95701-0602000	BOLT, FLANGE, 6X20	1	
021	95701-0602000	BOLT, FLANGE, 6X20	(1)	

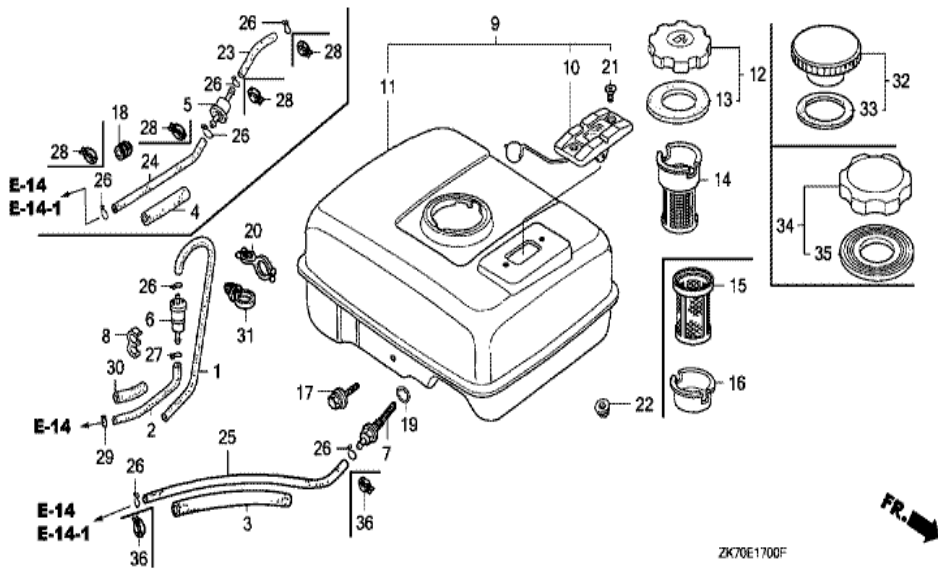


Ref	Partnumber	Description	GX120K1	Serial Numbers
002	18300-ZH8-841	MUFFLER ASSY. (LOWER PROTECTOR)	(1)	
004	18310-ZF1-000	MUFFLER COMP. (STD.)	1	
004	18310-ZF1-000	MUFFLER COMP. (STD.)	(1)	
004	18310-ZH8-810	MUFFLER COMP. (ARRESTER)	(1)	
005	18320-ZF1-H01	PROTECTOR, MUFFLER (STD.) (BLACK)	1	
005	18320-ZF1-H01	PROTECTOR, MUFFLER (STD.) (BLACK)	(1)	4661346
005	18320-ZF1-H01	PROTECTOR, MUFFLER (STD.) (BLACK)	(1)	4661346
005	18320-ZF1-H02	PROTECTOR, MUFFLER (STD.) (BLACK)	(1)	4661347
005	18320-ZF1-H02	PROTECTOR, MUFFLER (STD.) (BLACK)	(1)	4661347
005	18320-ZF1-H02	PROTECTOR, MUFFLER (STD.) (BLACK)	(1)	4661347
006	18325-ZE1-010	PROTECTOR, LOWER	1	
006	18325-ZE1-010	PROTECTOR, LOWER	(1)	
008	18340-ZE1-010	DEFLECTOR COMP.	1	
<u>Ref</u>	<u>Partnumber</u>	<u>Description</u>	<u>GX120K1</u>	<u>Serial Numbers</u>
008	18340-ZE1-010	DEFLECTOR COMP.	(1)	
009	18355-ZE1-000	ARRESTER, SPARK	1	
010	18381-ZH8-800	GASKET, MUFFLER	1	
010	18381-ZH8-800	GASKET, MUFFLER	(1)	
016	18522-ZE1-000	GUIDE, MUFFLER	1	
016	18522-ZE1-000	GUIDE, MUFFLER	(1)	
017	90002-ZG0-003	SCREW, TAPPING, 4X8	2	
017	90002-ZG0-003	SCREW, TAPPING, 4X8	(2)	
019	90050-ZE1-000	SCREW, TAPPING, 5X8	4	
019	90050-ZE1-000	SCREW, TAPPING, 5X8	(4)	
022	90055-ZE1-000	SCREW, TAPPING, 4X6	1	
022	90055-ZE1-000	SCREW, TAPPING, 4X6	(1)	
023	90055-ZE1-000	SCREW, TAPPING, 4X6	(3)	
024	94001-080000S	NUT, HEX., 8MM	2	
024	94001-080000S	NUT, HEX., 8MM	2	



ZK70E1601A

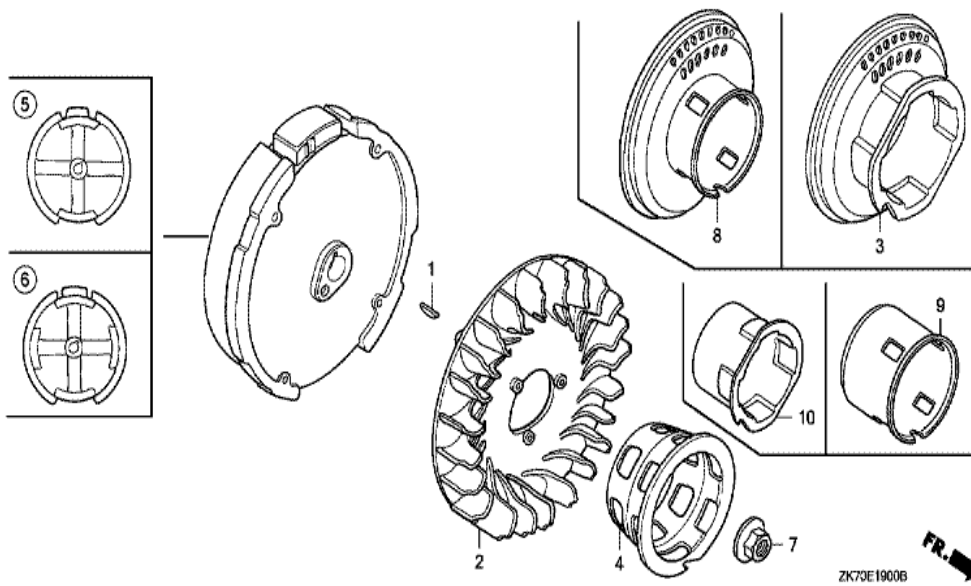
<u>Ref</u>	<u>Partnumber</u>	<u>Description</u>	<u>GX120K1</u>	<u>Serial Numbers</u>
002	18310-ZE1-821	MUFFLER COMP. (SILENT)	1	
002	18310-ZE1-821	MUFFLER COMP. (SILENT)	(1)	
003	18315-ZE1-000	STAY, MUFFLER	1	
003	18315-ZE1-000	STAY, MUFFLER	(1)	
004	18320-ZF1-H51	PROTECTOR, MUFFLER (SILENT)	1	
004	18320-ZF1-H51	PROTECTOR, MUFFLER (SILENT)	(1)	
005	18331-883-810	CAP, MUFFLER	1	
005	18331-883-810	CAP, MUFFLER	(1)	
006	18355-ZE1-810	ARRESTER, SPARK (SILENT)	1	
006	18355-ZE1-810	ARRESTER, SPARK (SILENT)	(1)	
007	18381-ZH8-800	GASKET, MUFFLER	1	
007	18381-ZH8-800	GASKET, MUFFLER	(1)	
013	90002-ZG0-003	SCREW, TAPPING, 4X8	(2)	
<u>Ref</u>	<u>Partnumber</u>	<u>Description</u>	<u>GX120K1</u>	<u>Serial Numbers</u>
014	90016-ZE1-000	BOLT, FLANGE, 6X13 (CT200)	1	
014	90016-ZE1-000	BOLT, FLANGE, 6X13 (CT200)	(1)	
015	90050-ZE1-000	SCREW, TAPPING, 5X8	4	
015	90050-ZE1-000	SCREW, TAPPING, 5X8	(4)	
018	90056-ZL0-000	SCREW, TAPPING, 4X6	1	
018	90056-ZL0-000	SCREW, TAPPING, 4X6	(1)	
021	94001-080000S	NUT, HEX., 8MM	2	
023	95701-0601200	BOLT, FLANGE, 6X12	1	
023	95701-0601200	BOLT, FLANGE, 6X12	(1)	



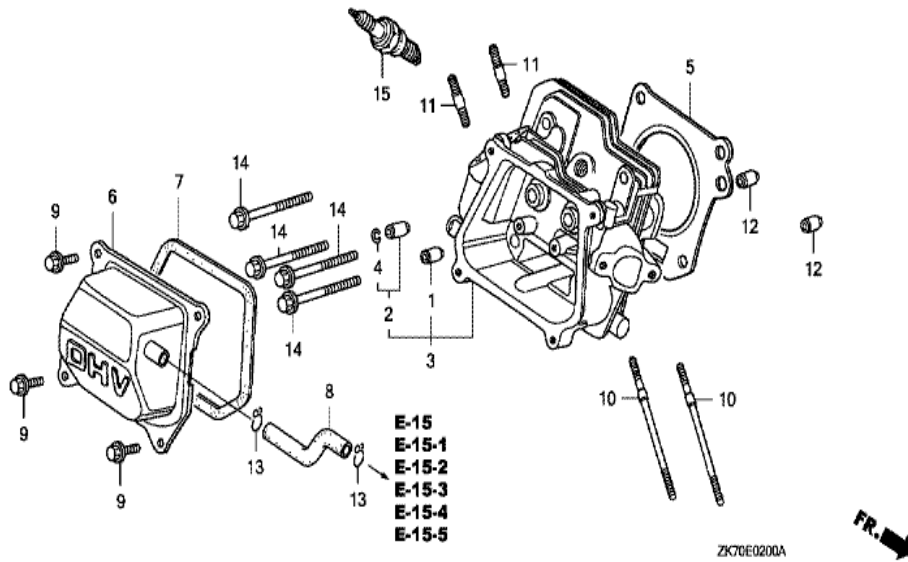
ZK70E1700F



Ref	Partnumber	Description	GX120K1	Serial Numbers
003	16854-ZH8-000	RUBBER, SUPPORTER (107MM)	1	
003	16854-ZH8-000	RUBBER, SUPPORTER (107MM)	(1)	
007	16955-ZE1-000	JOINT, FUEL TANK	1	
007	16955-ZE1-000	JOINT, FUEL TANK	(1)	
011	17510-ZE0-020ZA	TANK COMP., FUEL *NH31 *	1	
011	17510-ZE0-020ZA	TANK COMP., FUEL *NH31 *	(1)	
014	17672-ZE2-W01	FILTER, FUEL	1	
014	17672-ZE2-W01	FILTER, FUEL	(1)	
017	90004-ZH7-003	BOLT, FLANGE, 6X29	1	
017	90004-ZH7-003	BOLT, FLANGE, 6X29	(1)	
019	91353-671-004	O-RING, 14MM (NOK)	1	
019	91353-671-004	O-RING, 14MM (NOK)	(1)	
022	94050-06000	NUT, FLANGE, 6MM	2	
<u>Ref</u>	<u>Partnumber</u>	<u>Description</u>	<u>GX120K1</u>	<u>Serial Numbers</u>
022	94050-06000	NUT, FLANGE, 6MM	(2)	
025	95001-4514040	TUBE, FUEL, 4.5X140 (95001-45001-60M)	(1)	
025	95001-4514040	TUBE, FUEL, 4.5X140 (95001-45001-60M)	(1)	
026	95002-02080	CLIP, TUBE (B8)	1	
026	95002-02080	CLIP, TUBE (B8)	(2)	
034	17620-Z0T-305	CAP COMP., FUEL FILLER (CHROME PLATED)	1	
034	17620-Z0T-305	CAP COMP., FUEL FILLER (CHROME PLATED)	(1)	
035	17631-Z0T-812	PACKING, FUEL FILLER CAP (39X62X3) (TOUY)	1	
035	17631-Z0T-812	PACKING, FUEL FILLER CAP (39X62X3) (TOUY)	(1)	

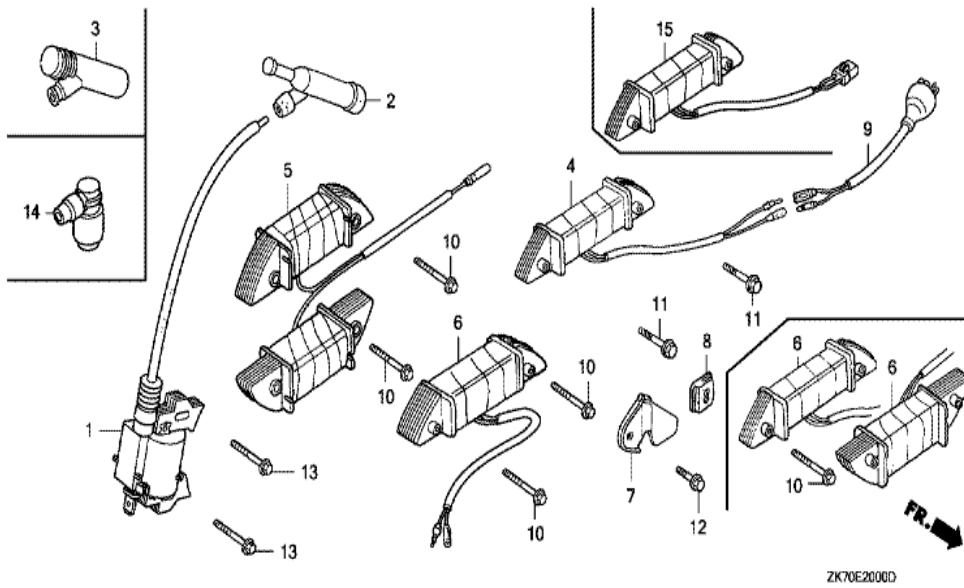


<u>Ref</u>	<u>Partnumber</u>	<u>Description</u>	<u>GX120K1</u>	<u>Serial Numbers</u>
001	13331-357-000	KEY, SPECIAL WOODRUFF, 25X18	1	
002	19511-ZE0-000	FAN, COOLING	1	
003	28450-ZH7-811	PULLEY COMP., STARTER	1	4363610
003	28450-ZH7-811	PULLEY COMP., STARTER	(1)	
005	31100-ZE0-010	FLYWHEEL COMP.	1	
005	31100-ZE0-010	FLYWHEEL COMP.	(1)	4554359
005	31100-ZE0-020	FLYWHEEL COMP.	1	4554360
005	31100-ZE0-020	FLYWHEEL COMP.	(1)	4554360
006	31100-ZE0-811	FLYWHEEL COMP. (LAMP)	1	
006	31100-ZE0-812	FLYWHEEL COMP. (LAMP)	1	4553618
006	31100-ZE0-812	FLYWHEEL COMP. (LAMP)	(1)	4553618
007	90201-878-003	NUT, SPECIAL, 14MM	1	
008	28450-ZH7-801	PULLEY COMP., STARTER	1	4363611
<u>Ref</u>	<u>Partnumber</u>	<u>Description</u>	<u>GX120K1</u>	<u>Serial Numbers</u>
008	28450-ZH7-801	PULLEY COMP., STARTER	(1)	
009	28451-ZH7-801	PULLEY, STARTER	1	
009	28451-ZH7-801	PULLEY, STARTER	(1)	
010	28451-ZH7-003	PULLEY, STARTER	1	
010	28451-ZH7-003	PULLEY, STARTER	(1)	



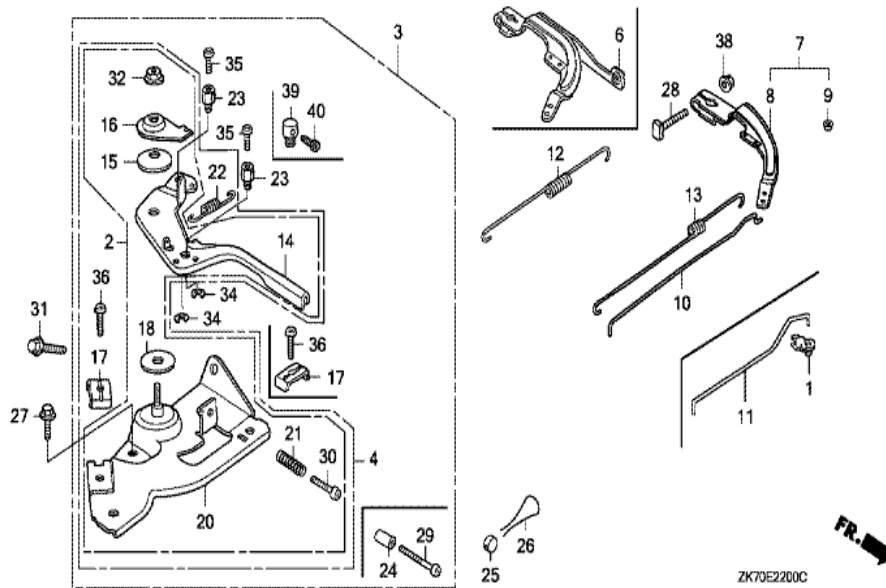
Ref	Partnumber	Description	GX120K1	Serial Numbers
001	12204-ZE1-306	GUIDE, IN. VALVE (OS)	(1)	
002	12205-ZE1-315	GUIDE, EX. VALVE (OS)	(1)	
003	12210-ZH7-405	HEAD COMP., CYLINDER	1	
003	12210-ZH7-405	HEAD COMP., CYLINDER	1	4516043
003	12210-ZH7-415	HEAD COMP., CYLINDER	1	
003	12210-ZH7-415	HEAD COMP., CYLINDER	1	4516044
004	12216-ZE5-300	CLIP, VALVE GUIDE	1	
005	12251-ZH7-800	GASKET, CYLINDER HEAD	(1)	
005	12251-ZH7-801	GASKET, CYLINDER HEAD	(1)	
006	12310-ZE1-020	COVER COMP., HEAD	1	
006	12310-ZE1-020	COVER COMP., HEAD	(1)	
006	12310-ZE1-842	COVER COMP., HEAD (BREATHING TUBE)	(1)	
006	12310-ZE1-842	COVER COMP., HEAD (BREATHING TUBE)	(1)	

<u>Ref</u>	<u>Partnumber</u>	<u>Description</u>	<u>GX120K1</u>	<u>Serial Numbers</u>
007	12391-ZE1-000	PACKING, HEAD COVER	1	
008	15721-ZE1-840	TUBE, BREATHER	(1)	
008	15721-ZE1-840	TUBE, BREATHER	(1)	
008	15721-ZH8-000	TUBE, BREATHER	(1)	
008	15721-ZH8-000	TUBE, BREATHER	(1)	
009	90013-883-000	BOLT, FLANGE, 6X12 (CT200)	4	
010	90043-ZE1-020	BOLT, STUD, 6X112	2	
010	90043-ZE1-020	BOLT, STUD, 6X112	2	
011	90047-ZE1-000	BOLT, STUD, 8X32	2	
012	94301-10160	DOWEL PIN, 10X16	2	
013	95002-80000	CLIP, TUBE (C12)	2	
013	95002-80000	CLIP, TUBE (C12)	(2)	
014	95701-0805500	BOLT, FLANGE, 8X55	4	4532610
014	95723-0805500	BOLT, FLANGE, 8X55	4	
014	95723-0805500	BOLT, FLANGE, 8X55	4	4532609
015	98079-55841	PLUG, SPARK (BP5ES) (NGK)	(1)	
015	98079-55841	PLUG, SPARK (BP5ES) (NGK)	(1)	
015	98079-55846	PLUG, SPARK (BPR5ES) (NGK)	(1)	
015	98079-55846	PLUG, SPARK (BPR5ES) (NGK)	(1)	
015	98079-55854	PLUG, SPARK (W16EP-U) (DENSO)	(1)	
015	98079-55854	PLUG, SPARK (W16EP-U) (DENSO)	(1)	
015	98079-55855	PLUG, SPARK (W16EPR-U) (DENSO)	(1)	
015	98079-55855	PLUG, SPARK (W16EPR-U) (DENSO)	(1)	
015	98079-56841	PLUG, SPARK (BP6ES) (NGK)	(1)	
015	98079-56841	PLUG, SPARK (BP6ES) (NGK)	(1)	
015	98079-56846	PLUG, SPARK (BPR6ES) (NGK)	(1)	
015	98079-56846	PLUG, SPARK (BPR6ES) (NGK)	(1)	
015	98079-56854	PLUG, SPARK (W20EP-U) (DENSO)	(1)	
015	98079-56854	PLUG, SPARK (W20EP-U) (DENSO)	(1)	
015	98079-56855	PLUG, SPARK (W20EPR-U) (DENSO)	(1)	
015	98079-56855	PLUG, SPARK (W20EPR-U) (DENSO)	(1)	



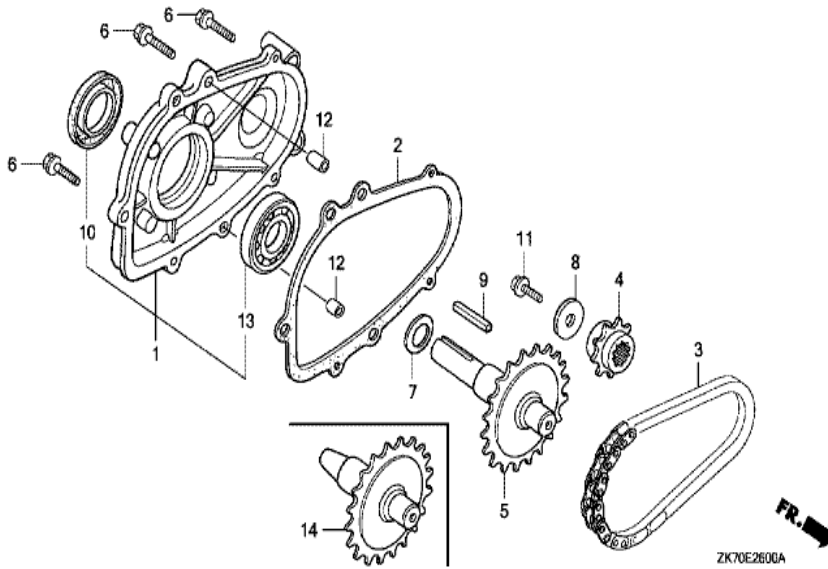
Ref	Partnumber	Description	GX120K1	Serial Numbers
001	30500-ZE1-043	COIL ASSY., IGNITION	1	4450768
001	30500-ZE1-043	COIL ASSY., IGNITION	(1)	4450768
001	30500-ZE1-053	COIL ASSY., IGNITION	1	4456559
001	30500-ZE1-053	COIL ASSY., IGNITION	(1)	4450769 4456559
001	30500-ZE1-063	COIL ASSY., IGNITION	1	4456560
001	30500-ZE1-063	COIL ASSY., IGNITION	(1)	4456560 4569508
001	30500-ZE1-073	COIL ASSY., IGNITION	1	4569509
001	30500-ZE1-073	COIL ASSY., IGNITION	(1)	4569509
002	30600-ZE1-013	TERMINAL ASSY., HIGH TENSION (NICHIWA Y-	1	
002	30600-ZE1-013	TERMINAL ASSY., HIGH TENSION (NICHIWA Y-	(1)	
002	30700-ZE1-013	CAP ASSY., NOISE SUPPRESSOR (NICHIWA Y-E	(1)	
002	30700-ZE1-013	CAP ASSY., NOISE SUPPRESSOR (NICHIWA Y-E	(1)	
004	31510-ZE1-003	COIL ASSY., LAMP (12V/15W)	(1)	

<u>Ref</u>	<u>Partnumber</u>	<u>Description</u>	<u>GX120K1</u>	<u>Serial Numbers</u>
004	31510-ZE1-821	COIL ASSY., LAMP (6V/15W)	(1)	
004	31510-ZE1-821	COIL ASSY., LAMP (6V/15W)	(1)	
004	31610-ZH7-003	COIL ASSY., LAMP (12V/15W)	(1)	
004	31610-ZH7-003	COIL ASSY., LAMP (12V/15W)	(1)	
005	31510-ZE1-711	COIL ASSY., LAMP (12V/50W)	1	
005	31510-ZE1-711	COIL ASSY., LAMP (12V/50W)	(1)	
006	31510-ZE1-811	COIL ASSY., LAMP (12V/25W)	1	
006	31510-ZE1-811	COIL ASSY., LAMP (12V/25W)	(1)	
006	31510-ZE1-831	COIL ASSY., LAMP (6V/25W)	(1)	
006	31510-ZE1-831	COIL ASSY., LAMP (6V/25W)	(1)	
007	31511-ZE1-000	CLAMPER, CORD	1	
007	31511-ZE1-000	CLAMPER, CORD	(1)	
008	31512-ZE1-000	GROMMET, CORD	1	
008	31512-ZE1-000	GROMMET, CORD	(1)	
009	32105-ZE1-000	CABLE, DOUBLE CONNECTOR	(1)	
010	90015-883-000	BOLT, FLANGE, 6X28 (CT200)	2	
010	90015-883-000	BOLT, FLANGE, 6X28 (CT200)	(4)	
011	90018-ZE1-000	BOLT, FLANGE, 6X23 (CT200)	2	
011	90018-ZE1-000	BOLT, FLANGE, 6X23 (CT200)	(2)	
012	90019-883-000	BOLT, FLANGE, 5X10	1	
012	90019-883-000	BOLT, FLANGE, 5X10	(1)	
013	90121-952-000	BOLT, FLANGE, 6X25 (CT200)	2	

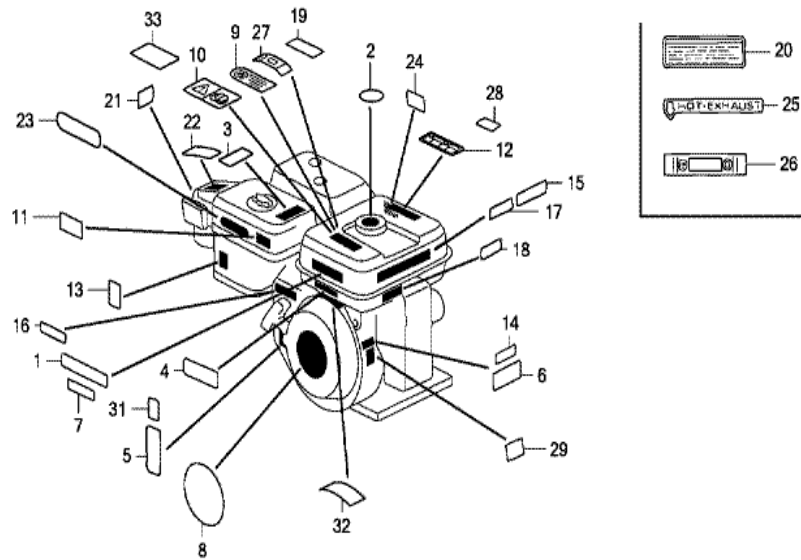


Ref	Partnumber	Description	GX120K1	Serial Numbers
002	16500-ZH7-000	CONTROL ASSY.	1	
002	16500-ZH7-000	CONTROL ASSY.	(1)	
002	16500-ZH7-830	CONTROL ASSY. (LOCK TYPE)	(1)	
002	16500-ZH7-830	CONTROL ASSY. (LOCK TYPE)	(1)	
002	16500-ZH7-860	CONTROL ASSY.	(1)	
002	16500-ZH7-860	CONTROL ASSY.	(1)	
003	16500-ZH7-810	CONTROL ASSY. (REMOTE)	1	
003	16500-ZH7-810	CONTROL ASSY. (REMOTE)	(1)	
004	16500-ZH7-820	CONTROL ASSY. (REMOTE)	1	
004	16500-ZH7-820	CONTROL ASSY. (REMOTE)	(1)	
008	16551-ZE0-010	ARM, GOVERNOR	1	
010	16555-ZE0-000	ROD, GOVERNOR	1	
012	16561-ZE0-020	SPRING, GOVERNOR	1	

<u>Ref</u>	<u>Partnumber</u>	<u>Description</u>	<u>GX120K1</u>	<u>Serial Numbers</u>
013	16562-ZE0-020	SPRING, THROTTLE RETURN	1	
014	16571-ZH7-000	LEVER, CONTROL	(1)	
014	16571-ZH7-000	LEVER, CONTROL	(1)	
014	16571-ZH7-860	LEVER, CONTROL	(1)	
014	16571-ZH7-860	LEVER, CONTROL	(1)	
015	16574-ZE1-000	SPRING, LEVER	1	
015	16574-ZE1-000	SPRING, LEVER	(1)	
016	16575-ZH8-000	WASHER, CONTROL LEVER	1	
016	16575-ZH8-000	WASHER, CONTROL LEVER	(1)	
017	16576-891-000	HOLDER, CABLE	1	
017	16576-891-000	HOLDER, CABLE	(1)	
018	16578-ZE1-000	SPACER, CONTROL LEVER	1	
018	16578-ZE1-000	SPACER, CONTROL LEVER	(1)	
020	16580-ZH7-000	BASE COMP., CONTROL (###)	1	
020	16580-ZH7-000	BASE COMP., CONTROL (###)	(1)	
020	16580-ZH7-810	BASE COMP., CONTROL (###)	(1)	
020	16580-ZH7-810	BASE COMP., CONTROL (###)	(1)	
021	16584-883-300	SPRING, CONTROL ADJUSTING	1	
021	16584-883-300	SPRING, CONTROL ADJUSTING	(1)	
022	16592-ZE1-810	SPRING, CABLE RETURN	1	
022	16592-ZE1-810	SPRING, CABLE RETURN	(1)	
023	16594-883-010	HOLDER, WIRE	1	
023	16594-883-010	HOLDER, WIRE	(1)	
025	16727-705-000	END, LOCK	1	
025	16727-705-000	END, LOCK	(1)	
026	16729-705-010	WIRE, LOCK	1	
026	16729-705-010	WIRE, LOCK	(1)	
027	90013-883-000	BOLT, FLANGE, 6X12 (CT200)	1	
028	90015-ZE5-010	BOLT, GOVERNOR ARM	1	
030	90121-ZE0-000	SCREW, LOCK PAN	(1)	
030	90121-ZE0-000	SCREW, LOCK PAN	(1)	
030	93500-050250H	SCREW, PAN, 5X25	1	
030	93500-050250H	SCREW, PAN, 5X25	(1)	
<u>Ref</u>	<u>Partnumber</u>	<u>Description</u>	<u>GX120K1</u>	<u>Serial Numbers</u>
031	90022-888-010	BOLT, FLANGE, 6X20 (CT200)	1	
031	90022-888-010	BOLT, FLANGE, 6X20 (CT200)	(1)	
032	90114-SA0-000	NUT, SELF-LOCK, 6MM	1	
032	90114-SA0-000	NUT, SELF-LOCK, 6MM	(1)	
034	90605-230-000	CIRCLIP, 5MM	1	
034	90605-230-000	CIRCLIP, 5MM	(1)	
035	93500-040060H	SCREW, PAN, 4X6	1	
035	93500-040060H	SCREW, PAN, 4X6	(1)	
036	93500-050160A	SCREW, PAN, 5X16	1	
036	93500-050160A	SCREW, PAN, 5X16	(1)	
038	94050-06000	NUT, FLANGE, 6MM	1	



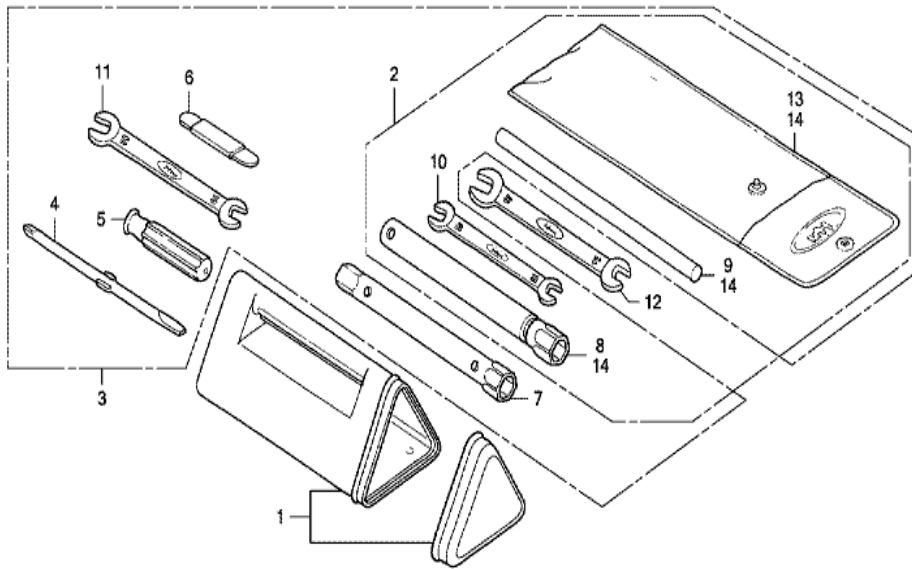
<u>Ref</u>	<u>Partnumber</u>	<u>Description</u>	<u>GX120K1</u>	<u>Serial Numbers</u>
001	11500-ZE1-611	COVER ASSY., CHAIN CASE	1	
002	11521-ZH8-800	PACKING, CHAIN CASE COVER	1	
002	11521-ZH8-800	PACKING, CHAIN CASE COVER	(1)	
003	14411-ZE0-611	CHAIN, P.T.O. DRIVE (DID270S-DHA-36LE)	1	
004	23110-ZE0-610	SPROCKET, DRIVE (14T)	1	
005	23710-ZE0-613	SHAFT, P.T.O. (28T)	1	
006	90015-883-000	BOLT, FLANGE, 6X28 (CT200)	5	
006	90015-883-000	BOLT, FLANGE, 6X28 (CT200)	5	
007	90456-ZE1-000	SPRING, THRUST	1	
008	90471-ZE1-610	WASHER, 8MM	1	
009	90741-883-810	KEY, 5X5X33 (YELLOW)	1	
009	90741-883-810	KEY, 5X5X33 (YELLOW)	(1)	
010	91201-ZOT-801	OIL SEAL, 25X41X6 (NOK)	1	
<u>Ref</u>	<u>Partnumber</u>	<u>Description</u>	<u>GX120K1</u>	<u>Serial Numbers</u>
011	92101-080250A	BOLT, HEX., 8X25	1	
011	92101-080250A	BOLT, HEX., 8X25	1	
012	94301-08140	DOWEL PIN, 8X14	2	
013	96100-6205000	BEARING, RADIAL BALL, 6205	1	



ZK70E2800D

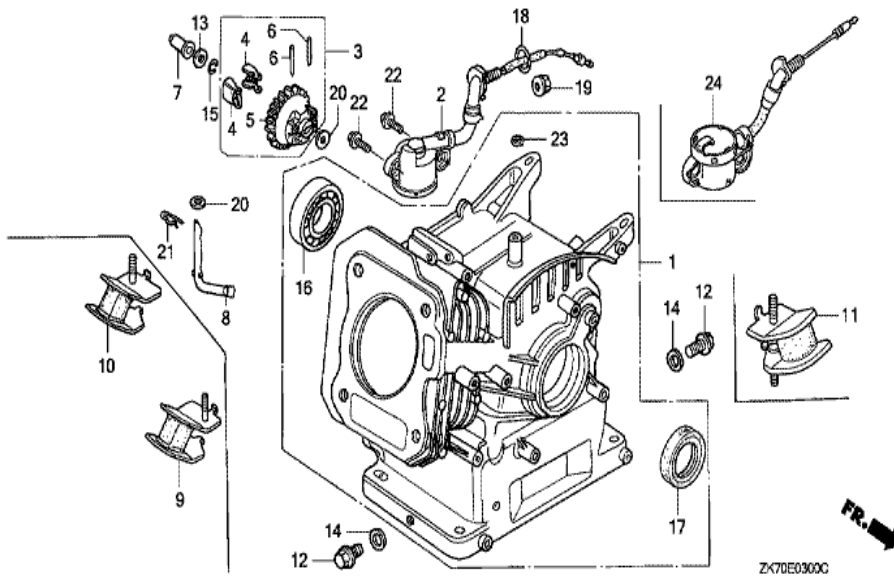
Ref	Partnumber	Description	GX120K1	Serial Numbers
001	87101-733-000	MARK, TOP	1	
001	87101-733-000	MARK, TOP	(1)	
001	87522-ZH9-820	LABEL, CAUTION (THAI)	(1)	
001	87522-ZH9-820	LABEL, CAUTION (THAI)	(1)	
005	87135-ZE2-020	LABEL, E-SPEC (15.5X27.5)	1	
005	87135-ZE2-020	LABEL, E-SPEC (15.5X27.5)	1	4500394
007	87520-ZH8-000	MARK A, COMBINATION (JAPANESE)	1	
007	87520-ZH8-000	MARK A, COMBINATION (JAPANESE)	(1)	
008	87521-ZH7-030	EMBLEM (4.0)	1	4553667
008	87521-ZH7-030	EMBLEM (4.0)	1	
008	87521-ZH7-040	EMBLEM (GX120)	1	4553668
008	87521-ZH7-832	EMBLEM (THAI)	(1)	
008	87521-ZH7-832	EMBLEM (THAI)	(1)	

<u>Ref</u>	<u>Partnumber</u>	<u>Description</u>	<u>GX120K1</u>	<u>Serial Numbers</u>
011	87524-883-690	MARK, AIR CLEANER CAUTION (OIL BATH) (AR	(1)	
011	87524-883-690	MARK, AIR CLEANER CAUTION (OIL BATH) (AR	(1)	
012	87526-ZH8-000	MARK B, COMBINATION (JAPANESE)	1	
012	87526-ZH8-000	MARK B, COMBINATION (JAPANESE)	(1)	
013	87528-ZE1-690	MARK, CHOKE (THAI)	(1)	
013	87528-ZE1-690	MARK, CHOKE (THAI)	(1)	
013	87528-ZE1-690	MARK, CHOKE (THAI)	(1)	
013	87528-ZE1-810	MARK, CHOKE	1	4462599
013	87528-ZE1-810	MARK, CHOKE	(1)	
013	87528-ZE1-810	MARK, CHOKE	(1)	
014	87530-ZH7-010	LABEL, SPECIFICATION (INTERNAL)	1	
014	87530-ZH7-821	LABEL, SPECIFICATION (INTERNAL/L-TYPE)	1	
014	87530-ZH7-821	LABEL, SPECIFICATION (INTERNAL/L-TYPE)	1	
015	87532-ZB4-H50	MARK, OIL ALERT (FRENCH)	(1)	
015	87532-ZB4-H50	MARK, OIL ALERT (FRENCH)	(1)	
017	87530-ZL8-810	MARK, OIL ALERT	1	4641770
017	87530-ZL8-810	MARK, OIL ALERT	1	4641770
017	87532-ZH8-000	MARK, OIL ALERT	1	
017	87532-ZH8-000	MARK, OIL ALERT	1	4641769
017	87532-ZH8-810	MARK, OIL ALERT (ENGLISH)	1	
017	87532-ZH8-810	MARK, OIL ALERT (ENGLISH)	1	
021	87534-ZE1-000	LABEL, AIR CLEANER CAUTION	(1)	
031	87114-ZH7-000	LABEL, WARNING (NOT CERTIFIED FOR SALE)	1	
031	87114-ZH7-000	LABEL, WARNING (NOT CERTIFIED FOR SALE)	1	4452742



ZK70E2900A

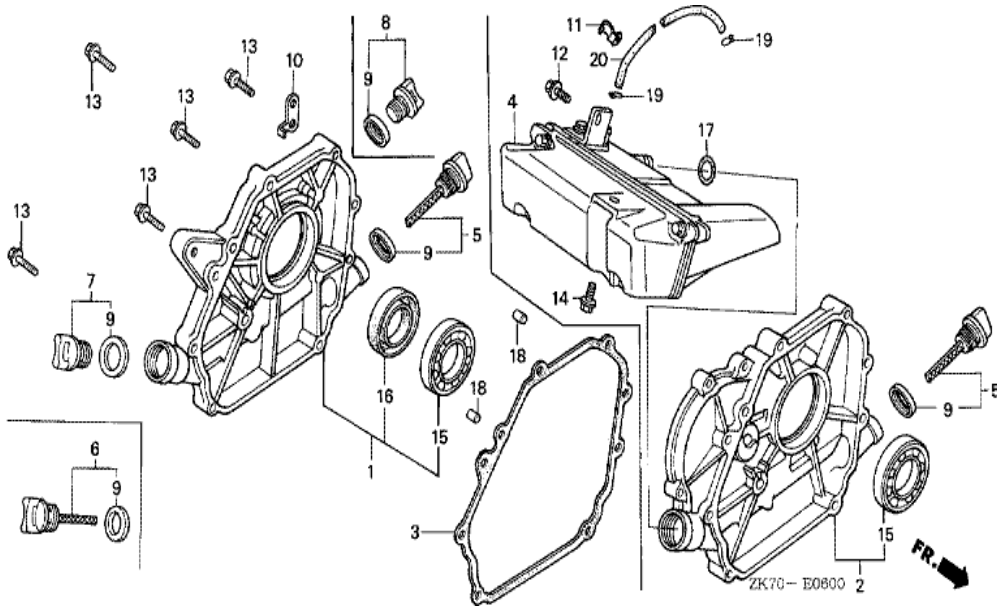
Ref	Partnumber	Description	GX120K1	Serial Numbers
002	89000-ZE1-000	TOOL KIT	(1)	
002	89000-ZE1-000	TOOL KIT	(1)	
008	89218-ZE1-000	WRENCH COMP., SPARK PLUG	1	
008	89218-ZE1-000	WRENCH COMP., SPARK PLUG	(1)	
009	89219-805-000	HANDLE, BOX WRENCH	1	
009	89219-805-000	HANDLE, BOX WRENCH	(1)	
010	99001-10120	SPANNER, 10X12	(1)	
010	99001-10120	SPANNER, 10X12	(1)	
012	99001-14170	SPANNER, 14X17	(1)	
012	99001-14170	SPANNER, 14X17	(1)	
013	99008-02300	BAG, TOOL, 230MM	1	
013	99008-02300	BAG, TOOL, 230MM	(1)	



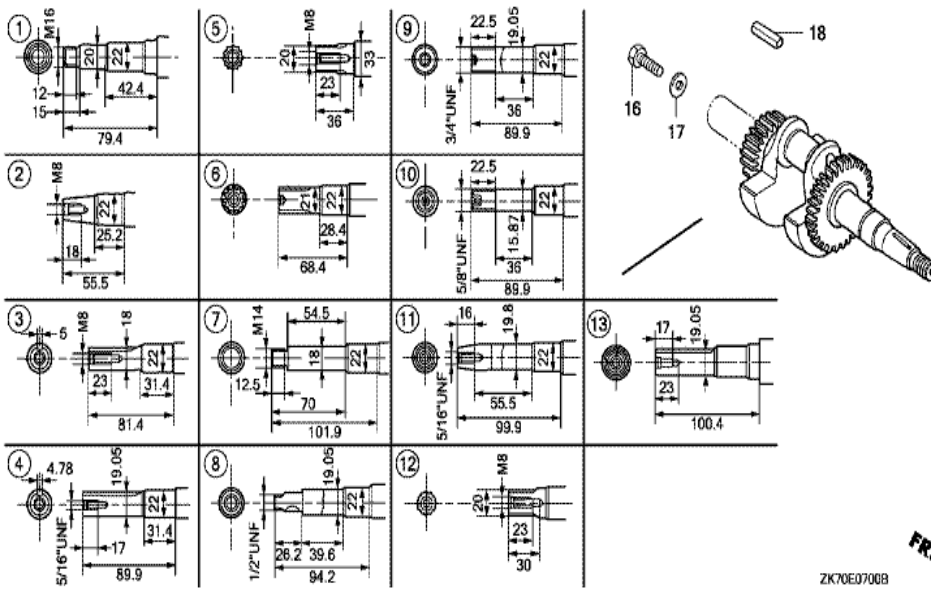
ZC70E0300C

Ref	Partnumber	Description	GX120K1	Serial Numbers
001	12000-ZF0-425	BARREL ASSY., CYLINDER	1	
001	12000-ZF0-425	BARREL ASSY., CYLINDER	(1)	
001	12000-ZH7-425	BARREL ASSY., CYLINDER	(1)	
001	12000-ZH7-425	BARREL ASSY., CYLINDER	(1)	
002	15510-ZE1-033	SWITCH ASSY., OIL LEVEL	1	
002	15510-ZE1-033	SWITCH ASSY., OIL LEVEL	(1)	4572370
002	15510-ZE1-033	SWITCH ASSY., OIL LEVEL	(1)	4572370
002	15510-ZE1-043	SWITCH ASSY., OIL LEVEL	(1)	4572371
002	15510-ZE1-043	SWITCH ASSY., OIL LEVEL	(1)	4572371
002	15510-ZE1-043	SWITCH ASSY., OIL LEVEL	(1)	4572371
003	16510-ZE1-000	GOVERNOR ASSY.	1	
004	16511-ZE1-000	WEIGHT, GOVERNOR	2	
005	16512-ZE1-000	HOLDER, GOVERNOR WEIGHT	1	

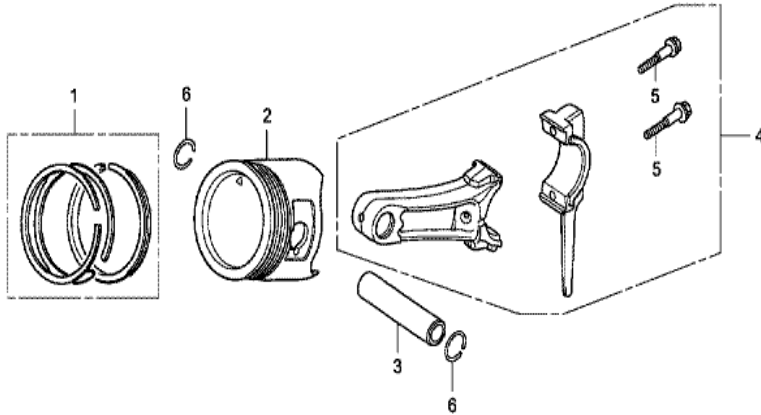
<u>Ref</u>	<u>Partnumber</u>	<u>Description</u>	<u>GX120K1</u>	<u>Serial Numbers</u>
006	16513-ZE1-000	PIN, GOVERNOR WEIGHT	2	
007	16531-ZE1-000	SLIDER, GOVERNOR	1	
008	16541-ZE1-000	SHAFT, GOVERNOR ARM	1	
012	90131-ZE1-000	BOLT, DRAIN PLUG	2	
013	90451-ZE1-000	WASHER, THRUST, 6MM	1	
013	90451-ZE1-000	WASHER, THRUST, 6MM	(1)	
014	90601-ZE1-000	WASHER, DRAIN PLUG, 10.2MM	2	
015	90602-ZE1-000	CLIP, GOVERNOR HOLDER	1	
016	91001-878-003	BEARING, RADIAL BALL,	1	
016	91001-878-003	BEARING, RADIAL BALL,	(1)	
017	91202-ZE6-013	OIL SEAL, 22X35X6	1	
017	91202-ZE6-013	OIL SEAL, 22X35X6	(1)	
018	91353-671-004	O-RING, 14MM (NOK)	1	
018	91353-671-004	O-RING, 14MM (NOK)	(1)	
019	94050-10000	NUT, FLANGE, 10MM	1	
019	94050-10000	NUT, FLANGE, 10MM	(1)	
020	94101-06800	WASHER, PLAIN, 6MM	2	
021	94251-08000	PIN, LOCK, 8MM	1	
022	95701-0601200	BOLT, FLANGE, 6X12	2	
022	95701-0601200	BOLT, FLANGE, 6X12	(2)	



Ref	Partnumber	Description	GX120K1	Serial Numbers
002	11300-ZE0-613	COVER ASSY., CRANKCASE	1	
003	11381-ZH7-800	PACKING, CASE COVER	1	
005	15600-ZE1-003	CAP ASSY., OIL FILLER (GRAY)	1	
007	15600-ZG4-003	CAP ASSY., OIL FILLER	1	
009	15625-ZE1-003	PACKING, OIL FILLER CAP	1	
009	15625-ZE1-003	PACKING, OIL FILLER CAP	2	
013	90015-883-000	BOLT, FLANGE, 6X28 (CT200)	7	
015	91001-878-003	BEARING, RADIAL BALL,	1	
018	94301-08140	DOWEL PIN, 8X14	2	



Ref	Partnumber	Description	GX120K1	Serial Numbers
005	13310-ZE0-610	CRANKSHAFT COMP.	1	
016	92101-080250A	BOLT, HEX., 8X25	1	
016	92101-080250A	BOLT, HEX., 8X25	(1)	
017	90473-842-000	WASHER, 8MM	1	
017	90473-842-000	WASHER, 8MM	(1)	



ZK70E0800A



Ref	Partnumber	Description	GX120K1	Serial Numbers
001	13010-Z4F-004	RING SET, PISTON (STD.) (TEIKOKU)	1	4554250
001	13010-ZH7-003	RING SET, PISTON (STD.) (TEIKOKU)	1	4554249
001	13010-ZH7-003	RING SET, PISTON (STD.) (TEIKOKU)	1	4554249
001	13010-ZH7-004	RING SET, PISTON (STD.) (NIPPON)	1	4554249
001	13010-ZH7-004	RING SET, PISTON (STD.) (NIPPON)	1	4554249
001	13011-Z4F-004	RING SET, PISTON (0.25) (TEIKOKU)	(1)	4554250
001	13011-Z4F-004	RING SET, PISTON (0.25) (TEIKOKU)	(1)	4554250
001	13011-ZH7-003	RING SET, PISTON (0.25) (TEIKOKU)	(1)	
001	13011-ZH7-003	RING SET, PISTON (0.25) (TEIKOKU)	(1)	4554249
001	13011-ZH7-004	RING SET, PISTON (0.25) (NIPPON)	(1)	
001	13011-ZH7-004	RING SET, PISTON (0.25) (NIPPON)	(1)	4554249
001	13012-Z4F-004	RING SET, PISTON (0.50) (TEIKOKU)	(1)	4554250
001	13012-Z4F-004	RING SET, PISTON (0.50) (TEIKOKU)	(1)	4554250

<u>Ref</u>	<u>Partnumber</u>	<u>Description</u>	<u>GX120K1</u>	<u>Serial Numbers</u>
001	13012-ZH7-003	RING SET, PISTON (0.50) (TEIKOKU)	(1)	4554249
001	13012-ZH7-003	RING SET, PISTON (0.50) (TEIKOKU)	(1)	4554249
001	13012-ZH7-004	RING SET, PISTON (0.50) (NIPPON)	(1)	4554249
001	13012-ZH7-004	RING SET, PISTON (0.50) (NIPPON)	(1)	4554249
001	13013-Z4F-004	RING SET, PISTON (0.75) (TEIKOKU)	(1)	4554250
001	13013-Z4F-004	RING SET, PISTON (0.75) (TEIKOKU)	(1)	4554250
001	13013-ZH7-003	RING SET, PISTON (0.75) (TEIKOKU)	(1)	4554249
001	13013-ZH7-003	RING SET, PISTON (0.75) (TEIKOKU)	(1)	4554249
001	13013-ZH7-004	RING SET, PISTON (0.75) (NIPPON)	(1)	
001	13013-ZH7-004	RING SET, PISTON (0.75) (NIPPON)	(1)	4554249
002	13101-ZH7-010	PISTON (STD.)	1	
002	13101-ZH7-010	PISTON (STD.)	1	4554249
002	13101-ZH7-010	PISTON (STD.)	1	4554249
002	13101-ZH7-020	PISTON (STD.)	1	4554250
002	13101-ZH7-020	PISTON (STD.)	1	4554250
002	13101-ZH7-020	PISTON (STD.)	1	4554250
002	13102-ZH7-010	PISTON (0.25)	(1)	4554249
002	13102-ZH7-010	PISTON (0.25)	(1)	4554249
002	13102-ZH7-010	PISTON (0.25)	(1)	4554249
002	13102-ZH7-020	PISTON (0.25)	(1)	4554250
002	13102-ZH7-020	PISTON (0.25)	(1)	4554250
002	13102-ZH7-020	PISTON (0.25)	(1)	4554250
002	13103-ZH7-010	PISTON (0.50)	(1)	4554249
002	13103-ZH7-010	PISTON (0.50)	(1)	4554249
002	13103-ZH7-010	PISTON (0.50)	(1)	4554249
002	13103-ZH7-020	PISTON (0.50)	(1)	4554250
002	13103-ZH7-020	PISTON (0.50)	(1)	4554250
002	13103-ZH7-020	PISTON (0.50)	(1)	4554250
002	13104-ZH7-010	PISTON (0.75)	(1)	
002	13104-ZH7-010	PISTON (0.75)	(1)	4554249
002	13104-ZH7-010	PISTON (0.75)	(1)	4554249
002	13104-ZH7-020	PISTON (0.75)	(1)	4554250
002	13104-ZH7-020	PISTON (0.75)	(1)	4554250
<u>Ref</u>	<u>Partnumber</u>	<u>Description</u>	<u>GX120K1</u>	<u>Serial Numbers</u>
002	13104-ZH7-020	PISTON (0.75)	(1)	4554250
003	13111-ZE0-000	PIN, PISTON	1	
004	13200-ZE0-000	ROD ASSY., CONNECTING	1	
005	90001-ZE1-000	BOLT, CONNECTING ROD	2	
006	90551-ZE0-000	CLIP, PISTON PIN, 13MM	2	



<u>Ref</u>	<u>Partnumber</u>	<u>Description</u>	<u>GX120K1</u>	<u>Serial Numbers</u>
001	12209-ZH8-003	SEAL, VALVE STEM	1	
002	14100-ZE0-812	CAMSHAFT ASSY.	1	
004	14410-ZE0-010	ROD, PUSH	2	
005	14431-ZE1-000	ARM, VALVE ROCKER	2	
006	14441-ZE1-010	LIFTER, VALVE	2	
007	14451-ZE1-013	PIVOT, ROCKER ARM	2	
007	14451-ZE1-013	PIVOT, ROCKER ARM	2	
009	14568-ZE1-000	SPRING, WEIGHT RETURN	1	
011	14711-ZF0-010	VALVE, IN.	1	
011	14711-ZF0-010	VALVE, IN.	1	
012	14721-ZF0-000	VALVE, EX.	1	
012	14721-ZF0-000	VALVE, EX.	(1)	
012	14721-ZH7-810	VALVE, EX. (STELLITE)	(1)	
<u>Ref</u>	<u>Partnumber</u>	<u>Description</u>	<u>GX120K1</u>	<u>Serial Numbers</u>
012	14721-ZH7-810	VALVE, EX. (STELLITE)	(1)	
013	14751-ZF1-000	SPRING, VALVE	2	
014	14771-ZE1-000	RETAINER, IN. VALVE SPRING	1	
015	14773-ZE1-000	RETAINER, EX. VALVE SPRING	1	
016	14781-ZE1-000	ROTATOR, VALVE	1	
017	14791-ZE0-010	PLATE, PUSH ROD GUIDE	1	
018	90012-ZE0-010	BOLT, PIVOT, 8MM	2	
019	90206-ZE1-000	NUT, PIVOT ADJUSTING	2	



HENG-X0003

<u>Ref</u>	<u>Partnumber</u>	<u>Description</u>	<u>GX120K1</u>	<u>Serial Numbers</u>
001	061A1-ZH7-700	GASKET KIT	1	
001	061A1-ZH7-700	GASKET KIT	1	
001	061A1-ZH7-710	GASKET KIT	1	
001	061A1-ZH7-710	GASKET KIT	1	
001	061A1-ZH7-720	GASKET KIT	1	
001	061A1-ZH7-720	GASKET KIT	1	