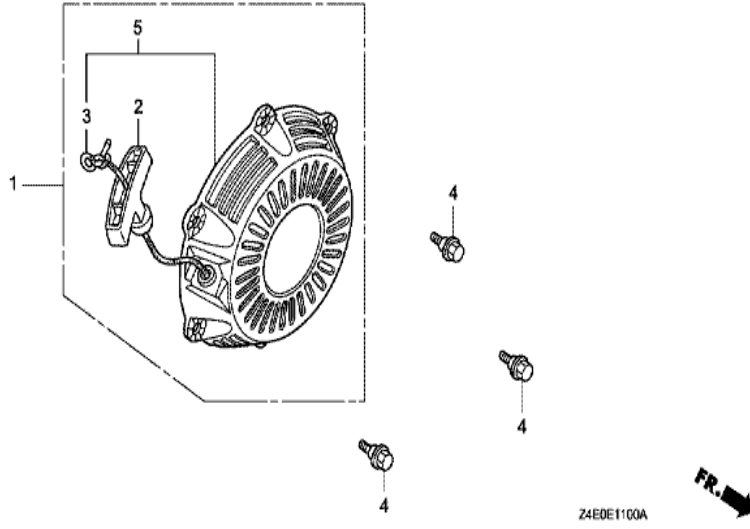
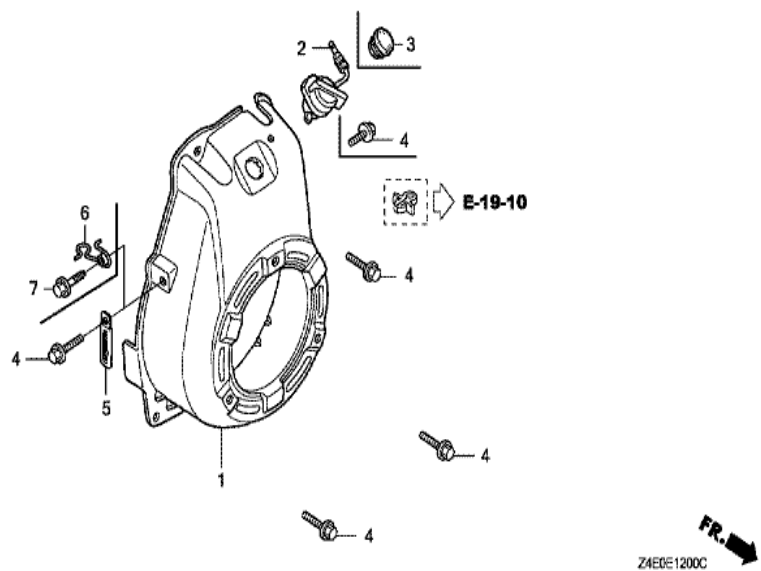


GX100U(VSW4)	E-11 RECOIL STARTER (1)
--------------	-------------------------



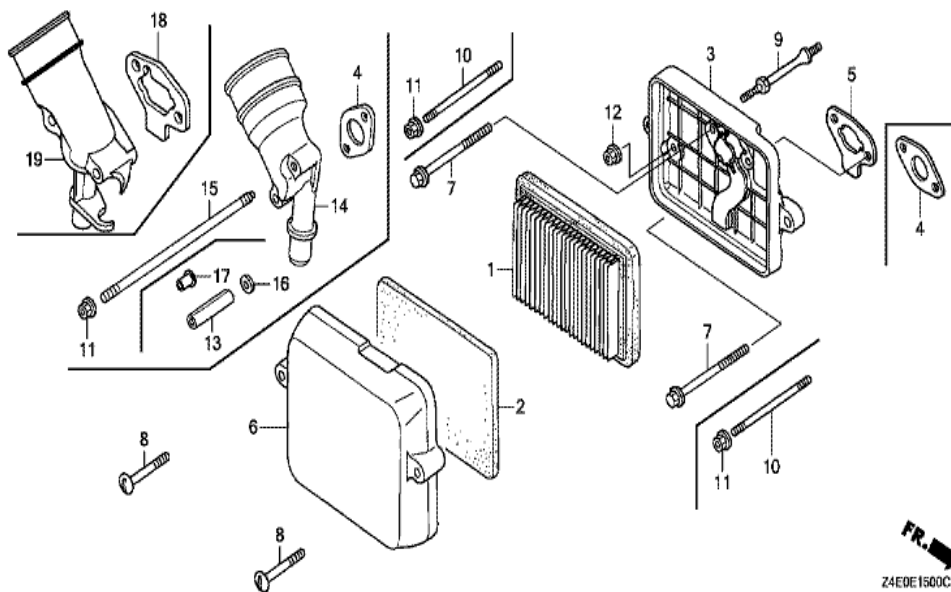
Ref	Partnumber	Description	GX100U	Serial Numbers
003	28462-ZOD-003	ROPE, STARTER	1	
004	90002-ZOD-000	BOLT, FLANGE, 6MM	3	
005	28400-ZOD-U01ZA	STARTER ASSY., RECOIL *NH1 *	1	1192777
005	28400-ZOD-U02ZA	STARTER ASSY., RECOIL *NH1 *	1	1192778

GX100U(VSW4)	E-12 FAN COVER
--------------	----------------



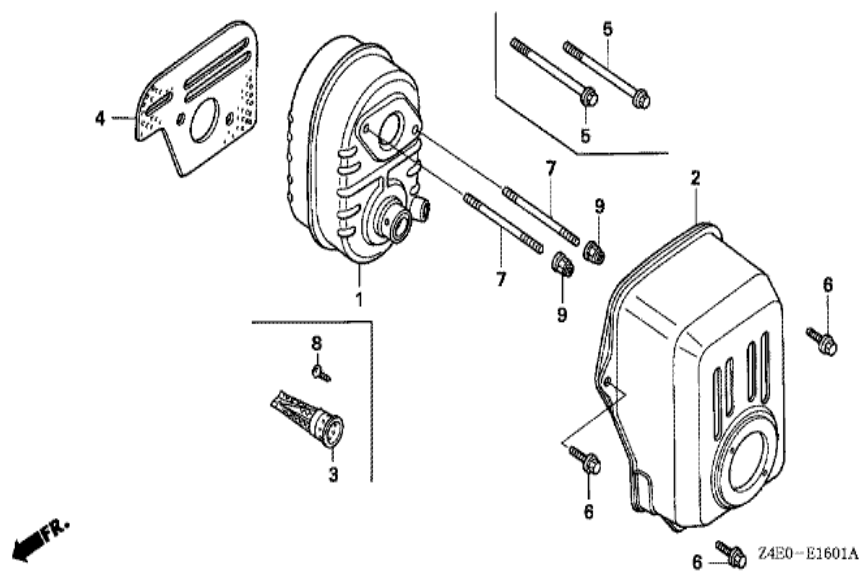
Ref	Partnumber	Description	GX100U	Serial Numbers
001	19610-Z0D-800ZB	COVER COMP., FAN *NH1 *	1	
001	19610-Z0D-800ZB	COVER COMP., FAN *NH1 *	1	
003	81329-567-020	GROMMET, DRAIN HOLE	1	
004	90014-952-000	BOLT, FLANGE, 6X14 (CT200)	3	
004	90014-952-000	BOLT, FLANGE, 6X14 (CT200)	5	

GX100U(VSW4)	E-15 AIR CLEANER
--------------	------------------



Ref	Partnumber	Description	GX100U	Serial Numbers
001	17211-ZL8-013	ELEMENT, AIR CLEANER	1	1006015
001	17211-ZL8-023	ELEMENT, AIR CLEANER (TOYO ROKI)	1	
001	17211-ZL8-023	ELEMENT, AIR CLEANER (TOYO ROKI)	1	1006016
002	17218-ZOD-000	FILTER, OUTER	1	
003	17220-ZOD-000	CASE COMP., AIR CLEANER	1	
005	17274-ZT3-000	PACKING, AIR INTAKE JOINT	1	
005	17274-ZT3-000	PACKING, AIR INTAKE JOINT	1	
006	17231-ZOD-000	COVER, AIR CLEANER	1	
006	17231-ZOD-000	COVER, AIR CLEANER	1	1188573
006	17231-ZOD-010	COVER, AIR CLEANER	1	1188574
006	17231-ZOD-010	COVER, AIR CLEANER	1	1188574
007	90004-ZOD-000	BOLT, FLANGE, 5X77 (CT200)	2	
008	90011-ZOD-000	BOLT, AIR CLEANER COVER	2	

GX100U(VSW4)	E-16-1 MUFFLER (2)
--------------	--------------------



Ref	Partnumber	Description	GX100U	Serial Numbers
007	90013-ZE6-710	BOLT, STUD, 6X90	2	
007	90013-ZE6-710	BOLT, STUD, 6X90	2	

GX100U(VSW4)

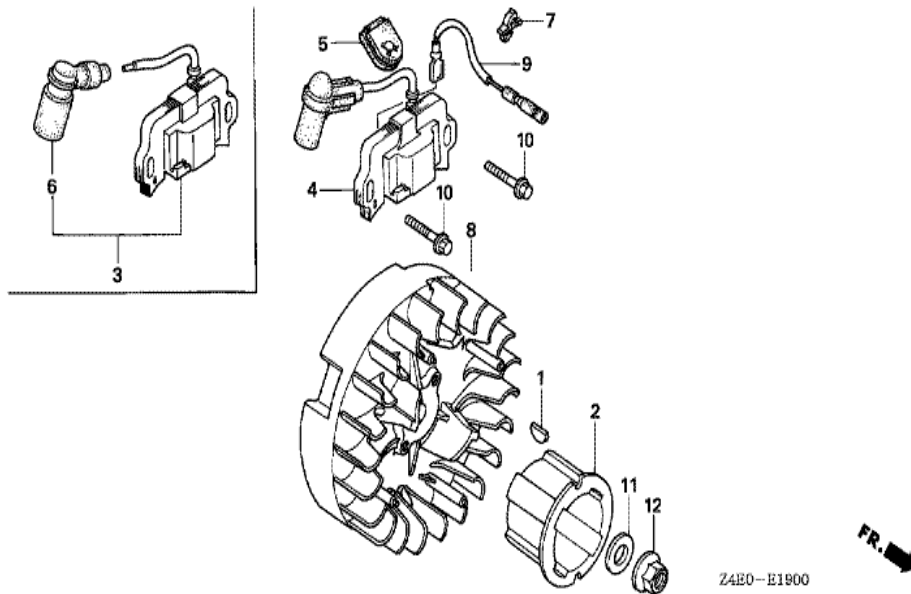
E-17 FUEL TANK



<u>Ref</u>	<u>Partnumber</u>	<u>Description</u>	<u>GX100U</u>	<u>Serial Numbers</u>
010	17620-ZL8-013	CAP ASSY., FUEL TANK	1	1066448
010	17620-ZL8-013	CAP ASSY., FUEL TANK	1	1198645
010	17620-ZL8-023	CAP ASSY., FUEL TANK	1	1198646
011	17622-ZL8-003	SPONGE, FUEL CAP BREATHER	1	
012	17624-ZL8-003	PACKING, FUEL CAP	1	1066448
012	17624-ZL8-003	PACKING, FUEL CAP	1	1198645
012	17624-ZL8-013	PACKING, FUEL CAP	1	1198646

GX100U(VSW4)

E-19 FLYWHEEL/IGNITION COIL



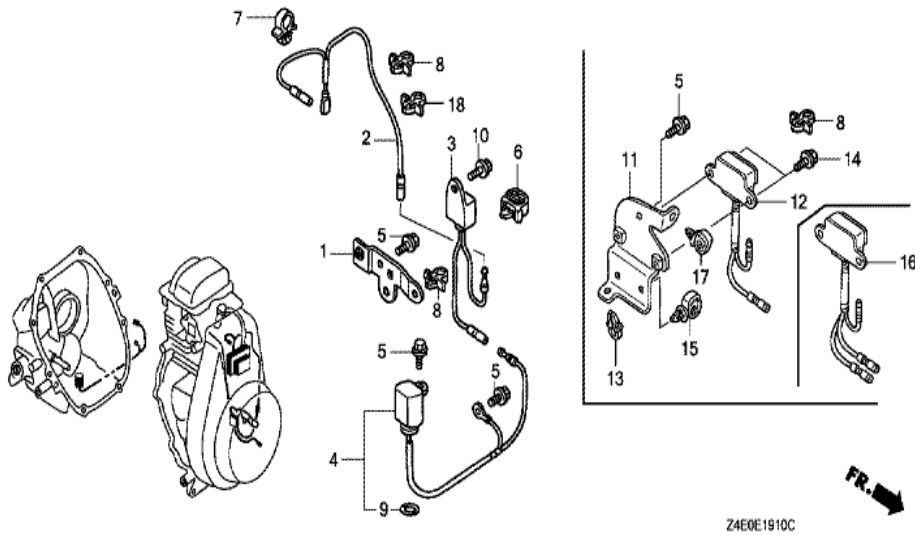
Z4E0-E1900

FR. →

Ref	Partnumber	Description	GX100U	Serial Numbers
001	13331-ZM7-000	KEY, SPECIAL	1	
004	30500-Z0D-013	COIL ASSY., IGNITION	1	
004	30500-Z0D-013	COIL ASSY., IGNITION	1	1090474
004	30500-Z0D-023	COIL ASSY., IGNITION	1	1090475
004	30500-Z0D-023	COIL ASSY., IGNITION	1	1090475
005	30564-ZA5-000	GROMMET, CORD	1	
008	31110-Z0D-003	FLYWHEEL COMP.	1	
009	32195-Z0D-U00	CORD, STOP SWITCH	1	
009	32195-Z0D-U00	CORD, STOP SWITCH	1	
010	90022-888-010	BOLT, FLANGE, 6X20 (CT200)	2	
011	90531-011-010	WASHER, 12MM	1	
012	94050-12000	NUT, FLANGE, 12MM	1	

GX100U(VSW4)

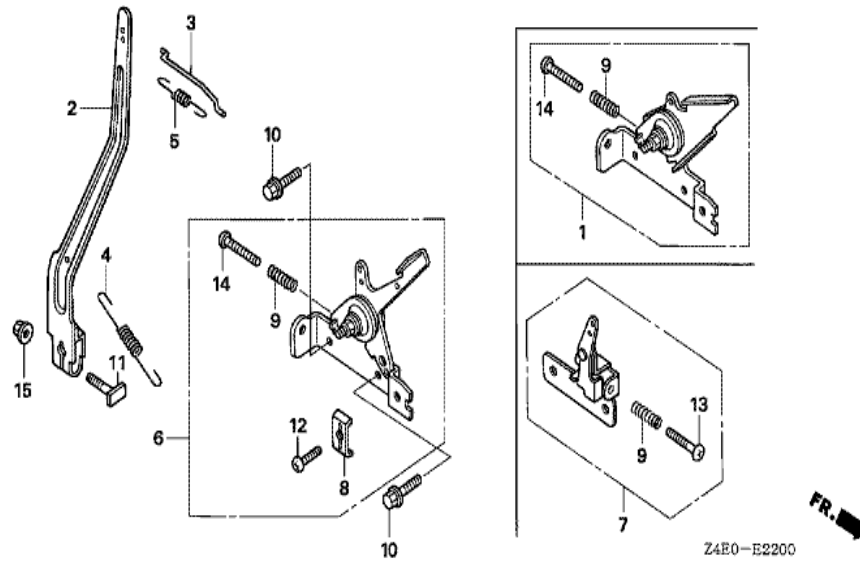
E-19-10 OIL ALERT/OIL LEVEL SWITCH



Ref	Partnumber	Description	GX100U	Serial Numbers
004	35480-ZOD-U01	SWITCH ASSY., OIL LEVEL	1	1099374
004	35480-ZOD-U01	SWITCH ASSY., OIL LEVEL	1	1099374
004	35480-ZOD-U02	SWITCH ASSY., OIL LEVEL	1	1099375
004	35480-ZOD-U02	SWITCH ASSY., OIL LEVEL	1	1099375
005	90014-952-000	BOLT, FLANGE, 6X14 (CT200)	2	
007	90659-170-000	CLIP, CABLE, 6MM (WHITE)	1	
008	90681-959-003	CLIP A, CABLE (NIFCO) (3.8MM BLACK)	1	
009	91302-ZL8-003	O-RING, 11.8X2.4	1	

GX100U(VSW4)

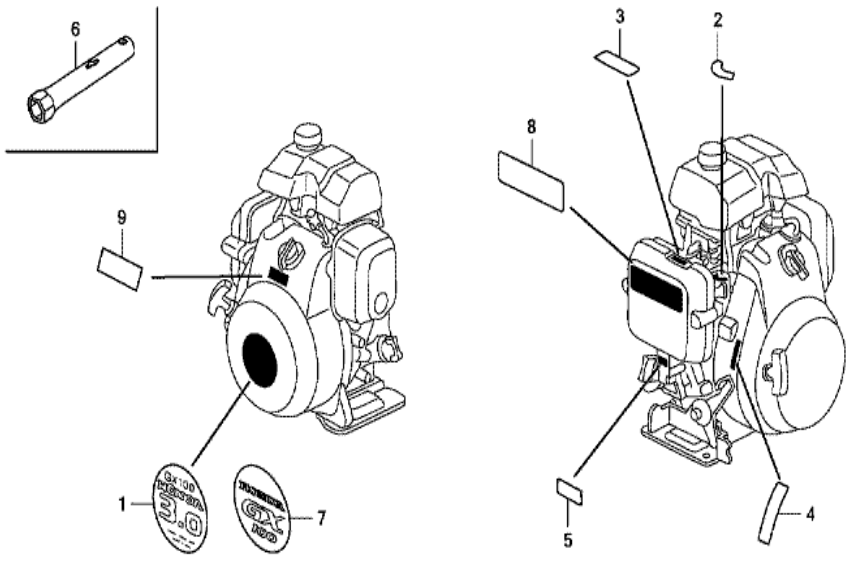
E-22 CONTROL (1)



Z4E0-E2200

Ref	Partnumber	Description	GX100U	Serial Numbers
002	16551-Z0D-010	ARM, GOVERNOR	1	
003	16555-Z0D-000	ROD, GOVERNOR	1	
004	16561-Z0D-U00	SPRING, GOVERNOR	1	
004	16561-Z0D-U00	SPRING, GOVERNOR	1	
005	16562-Z0D-000	SPRING, THROTTLE RETURN	1	
007	16500-Z0D-U00	CONTROL ASSY.	1	
009	16584-883-300	SPRING, CONTROL ADJUSTING	1	
010	90014-952-000	BOLT, FLANGE, 6X14 (CT200)	2	
011	90015-ZE5-010	BOLT, GOVERNOR ARM	1	
013	92301-050200A	BOLT, RECESSED, 5X20	1	
015	94050-06000	NUT, FLANGE, 6MM	1	

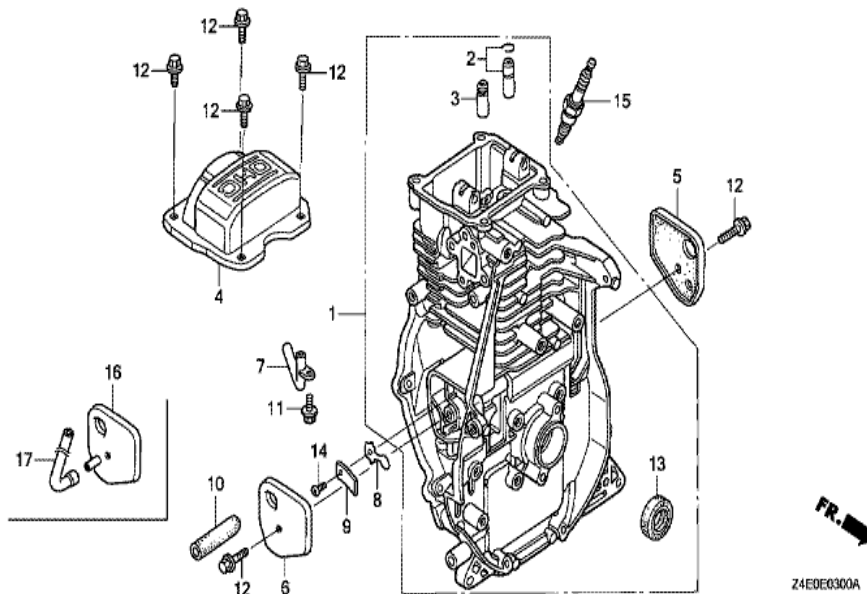
GX100U(VSW4)	E-28 LABEL/TOOL
--------------	-----------------



Z4E0E2800C

Ref	Partnumber	Description	GX100U	Serial Numbers
003	87528-ZOD-000	MARK, CHOKE INDICATION	1	
005	87601-ZOD-R00	MARK, TYPE (VSW4)	1	
005	87601-ZOD-R00	MARK, TYPE (VSW4)	1	
006	89216-130-690	WRENCH, SPARK PLUG	1	
008	87516-ZOJ-000	MARK, OPERATOR CAUTION (ENGLISH)	1	
008	87516-ZOJ-000	MARK, OPERATOR CAUTION (ENGLISH)	1	1189916
008	87516-ZOJ-800	MARK, OPERATOR CAUTION (FRENCH)	1	1189916
008	87516-ZOJ-800	MARK, OPERATOR CAUTION (FRENCH)	1	1189916
008	87519-ZOJ-000	MARK, OPERATOR CAUTION	1	1189916
008	87519-ZOJ-000	MARK, OPERATOR CAUTION	1	1189916
009	87539-ZOJ-810	MARK, EX. CAUTION (FRENCH)	1	1188091
009	87539-ZOJ-810	MARK, EX. CAUTION (FRENCH)	1	1188091

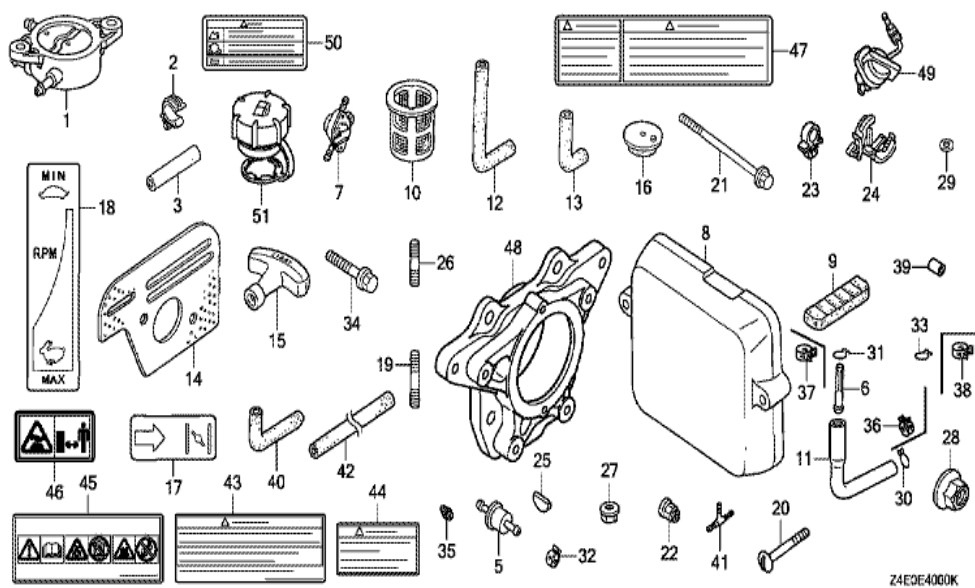
GX100U(VSW4)	E-3 CYLINDER BARREL
--------------	---------------------



<u>Ref</u>	<u>Partnumber</u>	<u>Description</u>	<u>GX100U</u>	<u>Serial Numbers</u>
001	12000-Z0D-405	BARREL ASSY., CYLINDER	1	
002	12201-Z0D-305	GUIDE ASSY., EX. VALVE (O.S.)	1	
003	12204-Z0D-305	GUIDE, IN. VALVE (O.S.)	1	
004	12311-Z0D-000	COVER, HEAD	1	
005	12355-Z0D-000	COVER COMP. A, BREATHER	1	
006	12365-Z0D-U00	COVER COMP. B, BREATHER	1	
007	15171-Z0D-V00	PIPE, BREATHER	1	
008	15571-ZM7-003	VALVE, OIL OUTLET	1	
008	15571-ZM7-003	VALVE, OIL OUTLET	1	
009	15572-ZM7-000	PLATE, STOPPER	1	
010	15721-Z0D-000	TUBE, BREATHER	1	
011	90008-ZM7-000	BOLT, 4X10	1	
012	90014-952-000	BOLT, FLANGE, 6X14 (CT200)	6	
<u>Ref</u>	<u>Partnumber</u>	<u>Description</u>	<u>GX100U</u>	<u>Serial Numbers</u>
013	91202-KJ9-003	OIL SEAL, 20X32X6	1	
014	93500-030050A	SCREW, PAN, 3X5	1	
015	98056-55757	PLUG, SPARK (U16FSR-UB)	1	
015	98056-55757	PLUG, SPARK (U16FSR-UB)	1	
015	98056-55777	PLUG, SPARK (CR5HSB)	1	
015	98056-55777	PLUG, SPARK (CR5HSB)	1	
016	12365-Z0D-U00	COVER COMP. B, BREATHER	1	
017	16882-Z0D-U00	TUBE, DIAPHRAGM	1	

GX100U(VSW4)

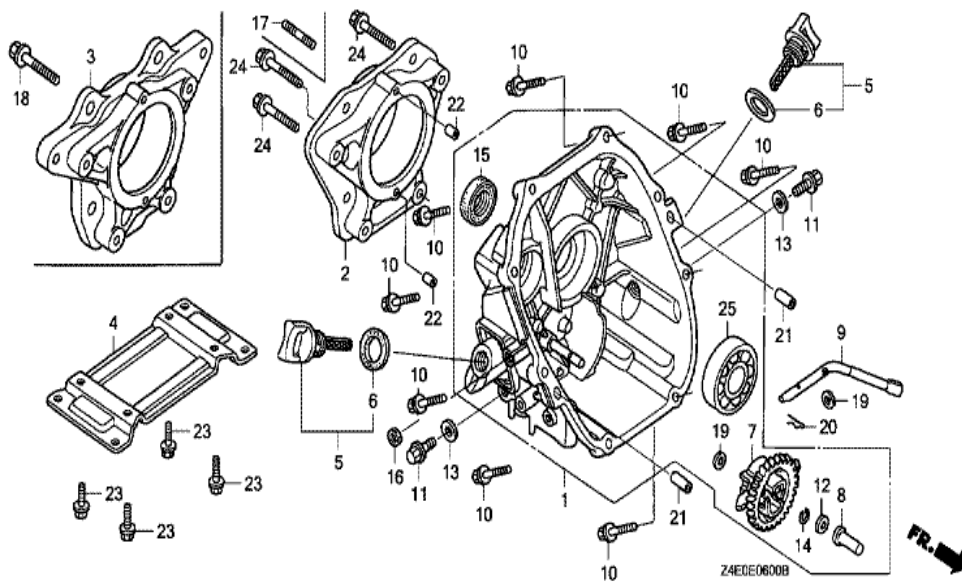
E-40 OTHER PARTS



Ref	Partnumber	Description	GX100U	Serial Numbers
001	16700-ZL8-013	PUMP ASSY., FUEL	1	
002	16731-ZE2-003	CLIP, TUBE	1	
003	16854-ZH8-810	RUBBER, SUPPORTER (50MM)	1	
006	16952-ZE6-000	STRAINER, FUEL	1	
007	16960-YA0-015	COCK ASSY., FUEL (DRAIN)	1	
009	17533-ZM7-000	RUBBER B, TANK MOUNTING	2	
010	17670-ZC3-700	FILTER COMP., FUEL	1	
011	17701-ZOD-U00	TUBE, FUEL TANK	1	1012395
011	17701-Z4E-U01	TUBE, FUEL TANK (FKM)	1	1012396 1178923
011	17701-Z4E-U01	TUBE, FUEL TANK (FKM)	1	1012396 1178923
011	17701-Z4E-U02	TUBE, FUEL TANK (FKM)	1	1178924
011	17701-Z4E-U02	TUBE, FUEL TANK (FKM)	1	1178924
012	17702-ZOD-U00	TUBE A, FUEL	1	1012395

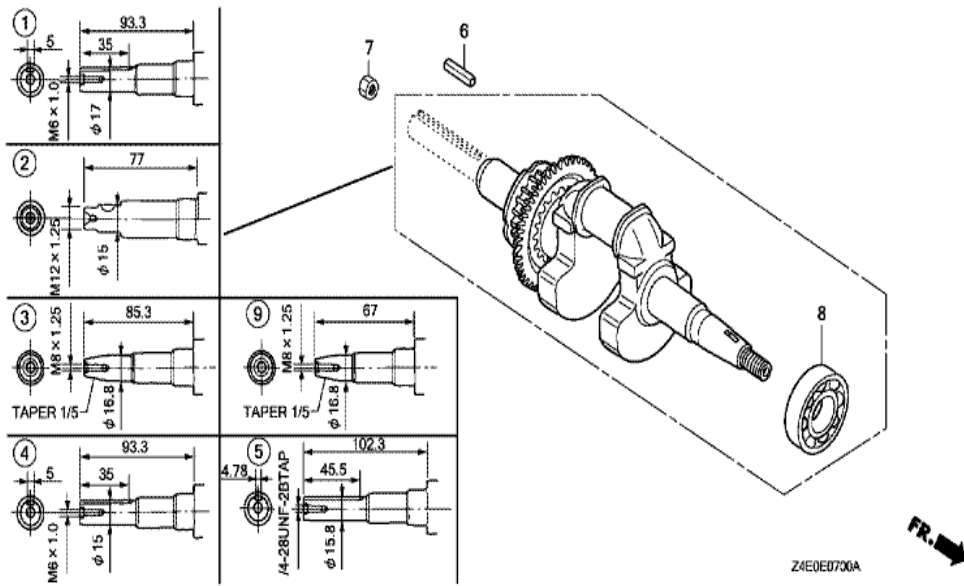
<u>Ref</u>	<u>Partnumber</u>	<u>Description</u>	<u>GX100U</u>	<u>Serial Numbers</u>	
012	17702-Z4E-U01	TUBE A, FUEL (FKM)	1	1012396	1178923
012	17702-Z4E-U02	TUBE A, FUEL (FKM)	1	1178924	
013	17703-Z0D-U00	TUBE B, FUEL	1		1012395
013	17703-Z4E-U01	TUBE B, FUEL (FKM)	1	1012396	1178923
013	17703-Z4E-U02	TUBE B, FUEL (FKM)	1	1178924	
014	18381-Z0D-000	GASKET, MUFFLER	1		
015	28461-Z0D-003	GRIP, STARTER	1		1188184
015	28461-Z0D-013	GRIP, STARTER	1	1188185	
016	60407-ZA7-000	RUBBER, BOTTOM	4		
021	90015-ZG0-801	BOLT, FLANGE, 6X65	1		
022	90343-ZE6-000	NUT, SELF-LOCK, 6MM	2		
023	90681-959-003	CLIP A, CABLE (NIFCO) (3.8MM BLACK)	1		
024	90684-ZA0-601	CLIP, HARNESS	4		
029	94103-08000	WASHER, PLAIN, 8MM	6		
030	95002-02080	CLIP, TUBE (B8)	3		1012395
031	95002-02100	CLIP, TUBE (B10)	2		1012395
033	95002-70000	CLIP, TUBE (C11)	1		1012395
034	95701-0804500	BOLT, FLANGE, 8X45	3		
035	99101-Z4E0560	JET (#56)	(1)		
036	95002-4080008	CLAMP, TUBE (D8)	3	1012396	
037	95002-4100008	CLAMP, TUBE (D10)	2	1012396	
038	95002-4105008	CLAMP, TUBE (D10.5)	1	1012396	
044	87539-Z0J-000	MARK, EX. CAUTION (ENGLISH)	1		
044	87539-Z0J-000	MARK, EX. CAUTION (ENGLISH)	1	1188091	

GX100U(VSW4)	E-6 CRANKCASE COVER
--------------	---------------------



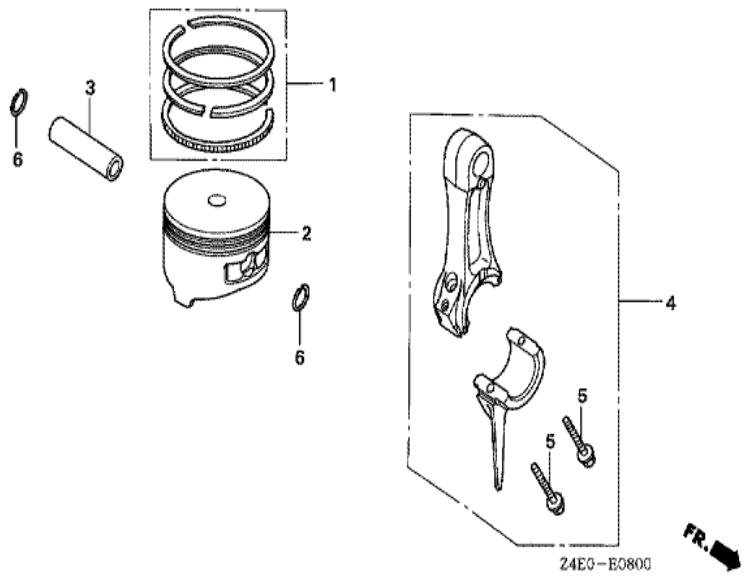
<u>Ref</u>	<u>Partnumber</u>	<u>Description</u>	<u>GX100U</u>	<u>Serial Numbers</u>
001	11300-Z0D-Q10	COVER ASSY., CRANKCASE	1	
001	11300-Z0D-Q10	COVER ASSY., CRANKCASE	1	
005	15600-ZM7-003	CAP ASSY., OIL FILLER	1	
005	15600-ZM7-003	CAP ASSY., OIL FILLER	1	
006	15625-ZE1-003	PACKING, OIL FILLER CAP	1	
007	16510-Z0D-U00	GOVERNOR ASSY.	1	
008	16531-ZE1-000	SLIDER, GOVERNOR	1	
009	16541-Z0D-000	SHAFT, GOVERNOR ARM	1	
010	90121-952-000	BOLT, FLANGE, 6X25 (CT200)	8	
011	90131-ZE1-000	BOLT, DRAIN PLUG	1	
011	90131-ZE1-000	BOLT, DRAIN PLUG	2	
012	90451-ZE1-000	WASHER, THRUST, 6MM	1	
013	90601-ZE1-000	WASHER, DRAIN PLUG, 10.2MM	1	
<u>Ref</u>	<u>Partnumber</u>	<u>Description</u>	<u>GX100U</u>	<u>Serial Numbers</u>
013	90601-ZE1-000	WASHER, DRAIN PLUG, 10.2MM	2	
014	90602-ZE1-000	CLIP, GOVERNOR HOLDER	1	
015	91202-KJ9-003	OIL SEAL, 20X32X6	1	
019	94101-06800	WASHER, PLAIN, 6MM	2	
020	94251-08000	PIN, LOCK, 8MM	1	
021	94301-08200	DOWEL PIN, 8X20	2	
025	96100-6204000	BEARING, RADIAL BALL, 6204	1	

GX100U(VSW4)	E-7 CRANKSHAFT
--------------	----------------



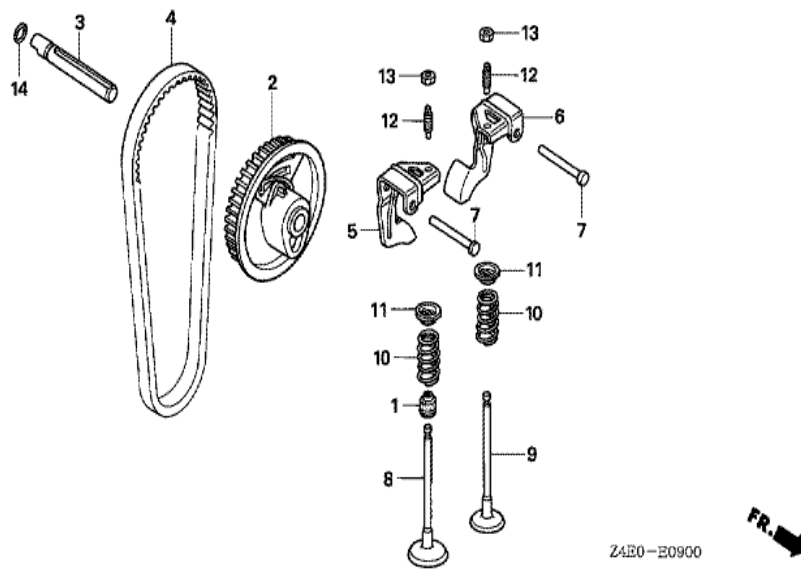
Ref	Partnumber	Description	GX100U	Serial Numbers
003	13310-Z0D-910	CRANKSHAFT COMP.	1	
008	96100-6204000	BEARING, RADIAL BALL, 6204	1	
008	96100-6204000	BEARING, RADIAL BALL, 6204	1	

GX100U(VSW4)	E-8 PISTON/CONNECTING ROD
--------------	---------------------------



Ref	Partnumber	Description	GX100U	Serial Numbers
001	13010-ZOD-003	RING SET, PISTON	1	
002	13101-ZOD-000	PISTON	1	
003	13111-ZE0-000	PIN, PISTON	1	
004	13200-ZOD-000	ROD ASSY., CONNECTING	1	
004	13200-ZOD-305	ROD ASSY., CONNECTING (UNDER SIZE)	(1)	
004	13200-ZOD-305	ROD ASSY., CONNECTING (UNDER SIZE)	(1)	
005	90001-ZM7-000	BOLT, CONNECTING ROD	2	
006	90551-ZE0-000	CLIP, PISTON PIN, 13MM	2	

GX100U(VSW4)	E-9 CAMSHAFT PULLEY
--------------	---------------------



<u>Ref</u>	<u>Partnumber</u>	<u>Description</u>	<u>GX100U</u>	<u>Serial Numbers</u>
001	12209-KT7-013	SEAL, VALVE STEM	1	
002	14320-Z0D-010	PULLEY COMP., CAMSHAFT	1	
003	14324-Z0D-000	SHAFT, CAM PULLEY	1	
004	14400-Z0D-003	BELT, TIMING (61YU7 G-200)	1	
005	14431-Z0D-000	ARM, IN. VALVE ROCKER	1	
006	14441-Z0D-000	ARM, EX. VALVE ROCKER	1	
007	14461-ZL8-000	SHAFT, ROCKER ARM	2	
008	14711-Z0D-000	VALVE, IN.	1	
009	14721-Z0D-000	VALVE, EX.	1	
010	14751-Z0D-000	SPRING, VALVE	2	
011	14771-ZM3-010	RETAINER, VALVE SPRING	2	
012	90012-333-000	SCREW, TAPPET ADJUSTING	2	
013	90206-001-000	NUT, TAPPET ADJUSTING	2	
<u>Ref</u>	<u>Partnumber</u>	<u>Description</u>	<u>GX100U</u>	<u>Serial Numbers</u>
014	91301-ZM0-V31	O-RING, 6.8X1.9 (ARAI)	1	