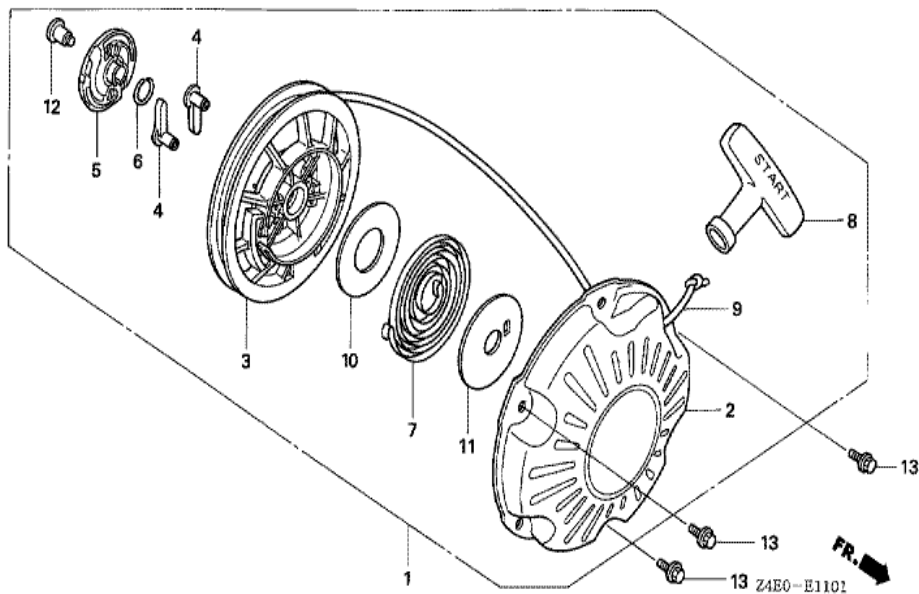


GX100U(VE3)

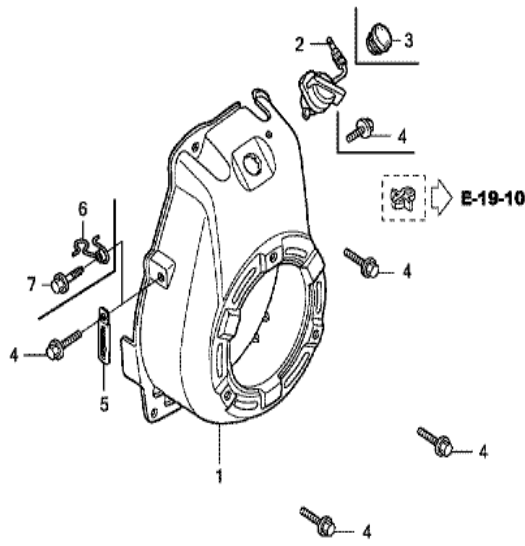
E-11-1 RECOIL STARTER (2)



Ref	Partnumber	Description	GX100U	Serial Numbers	
001	28400-Z0D-V02ZA	STARTER ASSY., RECOIL *NH1 *	1	1019282	
001	28400-Z0D-V02ZC	STARTER ASSY., RECOIL *R280 *	1	1019282	
001	28400-Z0D-V02ZC	STARTER ASSY., RECOIL *R280 *	1	1019282	
001	28400-Z0D-V03ZA	STARTER ASSY., RECOIL *NH1 *	1	1019283 1188240	
001	28400-Z0D-V03ZA	STARTER ASSY., RECOIL *NH1 *	1	1019283	
001	28400-Z0D-V03ZC	STARTER ASSY., RECOIL *R280 *	1	1153070 1188240	
001	28400-Z0D-V03ZC	STARTER ASSY., RECOIL *R280 *	1	1019283	
002	28410-Z0D-V02ZA	CASE COMP., RECOIL STARTER *NH1*	1		
002	28410-Z0D-V02ZC	CASE COMP., RECOIL STARTER *R280 *	1		
002	28410-Z0D-V02ZC	CASE COMP., RECOIL STARTER *R280 *	1		
003	28421-Z0D-V02	REEL, RECOIL STARTER	1		
004	28422-ZG0-W02	RATCHET, STARTER	2		
005	28433-ZG0-W02	GUIDE, RATCHET	1		
	<u>Ref</u>	<u>Partnumber</u>	<u>Description</u>	<u>GX100U</u>	<u>Serial Numbers</u>
006	28441-ZW6-003	SPRING, FRICTION	1		
007	28442-ZH8-003	SPRING, RECOIL STARTER	1		
008	28461-ZH8-003	GRIP, STARTER	1		
009	28462-Z0D-V02	ROPE, RECOIL STARTER	1	1019282	
009	28462-Z0D-V03	ROPE, RECOIL STARTER	1		
009	28462-Z0D-V03	ROPE, RECOIL STARTER	1	1019283	
010	28467-Z0D-V02	PLATE, SIDE	1		
011	28468-Z0D-V02	PLATE, SLIDE	1		
012	90003-ZH8-003	SCREW, SETTING	1		
013	95701-0600800	BOLT, FLANGE, 6X8	3		

GX100U(VE3)

E-12 FAN COVER

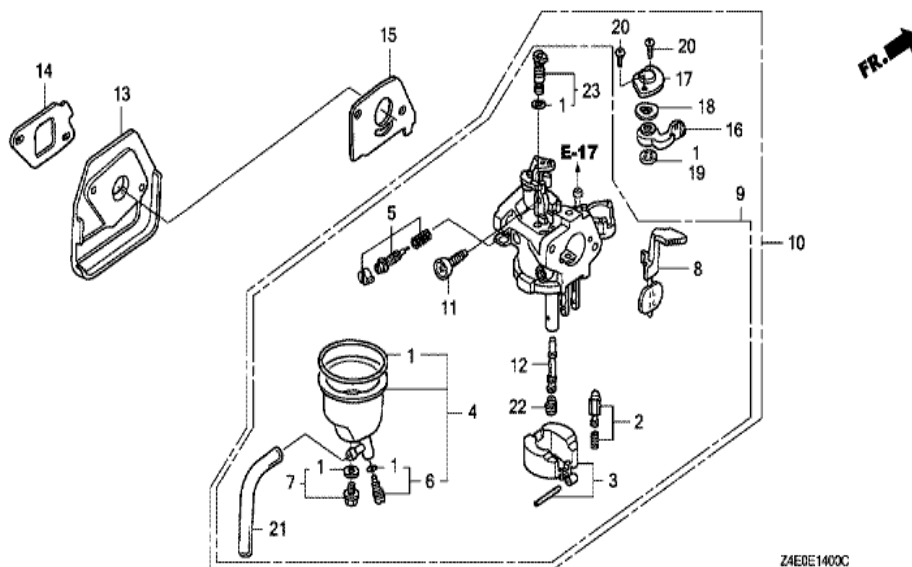


Z4E0E1200C

Ref	Partnumber	Description	GX100U	Serial Numbers
001	19610-Z0D-T00ZA	COVER COMP., FAN *NH1 *	1	
001	19610-Z0D-T00ZA	COVER COMP., FAN *NH1 *	1	
001	19610-Z0D-T00ZB	COVER COMP., FAN *R280 *	1	
001	19610-Z0D-T00ZB	COVER COMP., FAN *R280 *	1	
002	35120-Z0D-V81	SWITCH ASSY., ENGINE STOP	1	
004	90014-952-000	BOLT, FLANGE, 6X14 (CT200)	3	
004	90014-952-000	BOLT, FLANGE, 6X14 (CT200)	4	

GX100U(VE3)

E-14 CARBURETOR (STANDARD)

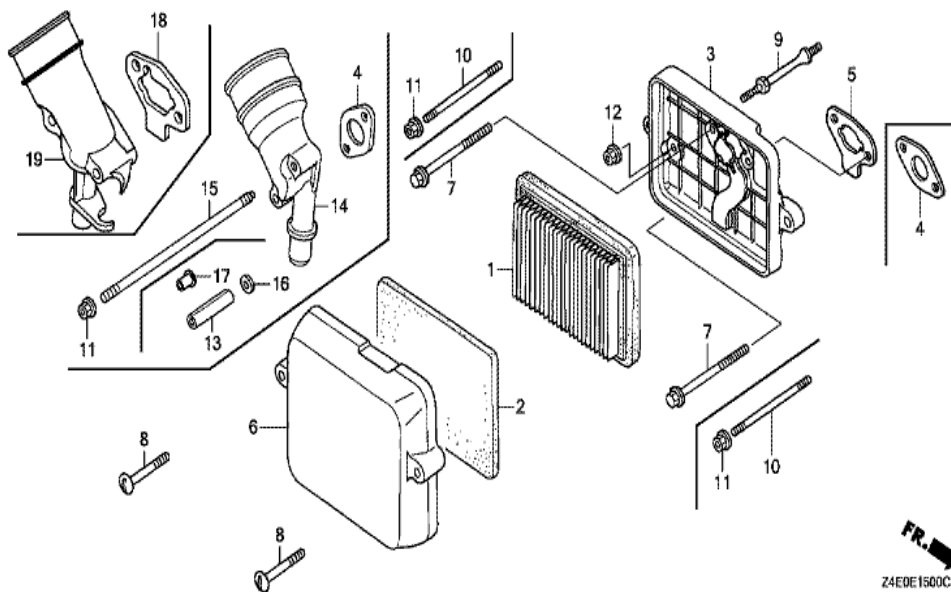


Z4E0E1400C

Ref	Partnumber	Description	GX100U	Serial Numbers
001	16010-ZM7-003	GASKET SET	1	
001	16010-ZM7-003	GASKET SET	1	
002	16011-ZE0-005	VALVE SET, FLOAT	1	
003	16013-ZG0-811	FLOAT SET	1	
004	16015-ZM7-003	CHAMBER SET, FLOAT	1	
005	16016-ZH7-W01	SCREW SET, PILOT	1	
006	16024-ZB9-005	SCREW SET, DRAIN	1	
007	16028-ZG0-811	SCREW SET	1	
008	16044-Z0D-003	CHOKE SET	1	
010	16100-Z0D-013	CARBURETOR ASSY. (BF32F B)	1	1009677
010	16100-Z4E-003	CARBURETOR ASSY. (BF32H A)	1	
010	16100-Z4E-003	CARBURETOR ASSY. (BF32H A)	1	1009678
011	16124-ZE0-005	SCREW, THROTTLE STOP	1	
Ref	Partnumber	Description	GX100U	Serial Numbers
012	16166-Z0D-003	NOZZLE, MAIN	1	
013	16211-Z0D-000	INSULATOR, CARBURETOR	1	
014	16212-Z0D-000	PACKING, INSULATOR	1	
015	16221-ZG0-801	PACKING, CARBURETOR	1	
016	16953-Z0D-003	LEVER, COCK	1	
017	16954-ZE1-812	PLATE, LEVER SETTING	1	
018	16956-ZE1-811	SPRING, COCK LEVER	1	
019	16957-ZE1-812	PACKING, FUEL COCK	1	
020	93500-030061H	SCREW, PAN, 3X6	2	
021	95003-0501031	TUBE, VINYL, 3.5X6.5X100 (95003-05001-60)	1	
022	99101-ZG00550	JET, MAIN, #55	(1)	
022	99101-ZG00580	JET, MAIN, #58	(1)	
022	99101-ZG00580	JET, MAIN, #58	(1)	
022	99101-ZG00600	JET, MAIN, #60	1	
022	99101-ZG00600	JET, MAIN, #60	1	
023	99204-ZE20350	JET SET, PILOT, #35	1	

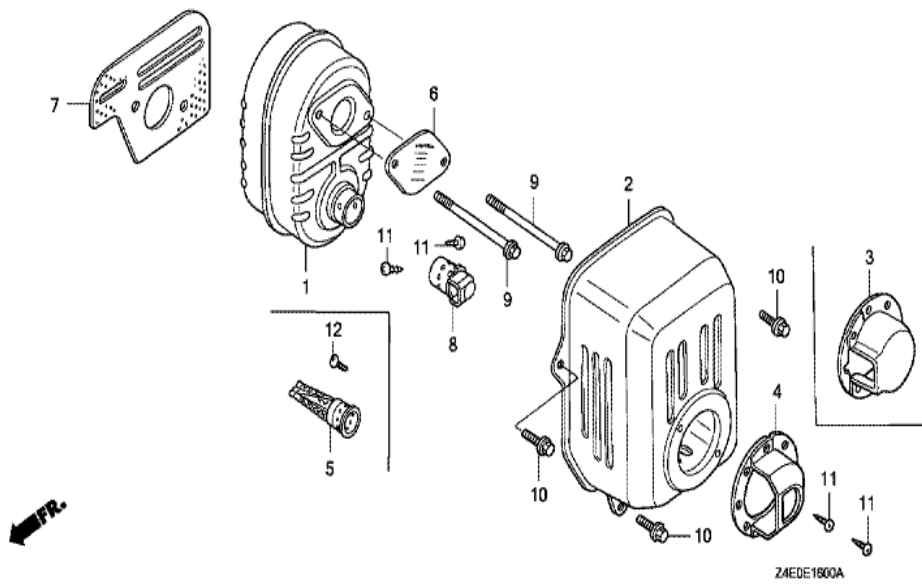
GX100U(VE3)

E-15 AIR CLEANER



<u>Ref</u>	<u>Partnumber</u>	<u>Description</u>	<u>GX100U</u>	<u>Serial Numbers</u>
001	17211-ZL8-013	ELEMENT, AIR CLEANER	1	1006015
001	17211-ZL8-023	ELEMENT, AIR CLEANER (TOYO ROKI)	1	
001	17211-ZL8-023	ELEMENT, AIR CLEANER (TOYO ROKI)	1	1006016
002	17218-ZOD-000	FILTER, OUTER	1	
003	17220-ZOD-V20	CASE COMP., AIR CLEANER	1	
003	17220-ZOD-V20	CASE COMP., AIR CLEANER	1	
005	17274-ZT3-000	PACKING, AIR INTAKE JOINT	1	
005	17274-ZT3-000	PACKING, AIR INTAKE JOINT	1	
006	17231-ZOD-000	COVER, AIR CLEANER	1	
007	90004-ZOD-000	BOLT, FLANGE, 5X77 (CT200)	2	
008	90011-ZOD-000	BOLT, AIR CLEANER COVER	2	
009	90041-ZOD-V20	BOLT, STUD	1	
009	90041-ZOD-V20	BOLT, STUD	1	
<u>Ref</u>	<u>Partnumber</u>	<u>Description</u>	<u>GX100U</u>	<u>Serial Numbers</u>
012	94050-06000	NUT, FLANGE, 6MM	1	

GX100U(VE3)	E-16 MUFFLER (1)
-------------	------------------



Ref	Partnumber	Description	GX100U	Serial Numbers
001	18310-ZM0-000	MUFFLER COMP.	1	
002	18320-ZOM-780	PROTECTOR COMP., MUFFLER	1	
004	18348-ZL8-000	CAP, MUFFLER	1	
005	18350-ZL8-000	ARRESTER COMP., SPARK	1	1207645
005	18350-ZL8-000	ARRESTER COMP., SPARK	(1)	
007	18381-ZOD-000	GASKET, MUFFLER	1	
008	18430-ZL8-000	DEFLECTOR COMP., MUFFLER	1	
009	90004-ZL8-000	BOLT, FLANGE, 6X79 (CT200)	2	
010	90014-952-000	BOLT, FLANGE, 6X14 (CT200)	3	
011	90055-ZE1-000	SCREW, TAPPING, 4X6	4	
012	90055-ZE1-000	SCREW, TAPPING, 4X6	1	1207645
012	90055-ZE1-000	SCREW, TAPPING, 4X6	(1)	

GX100U(VE3)

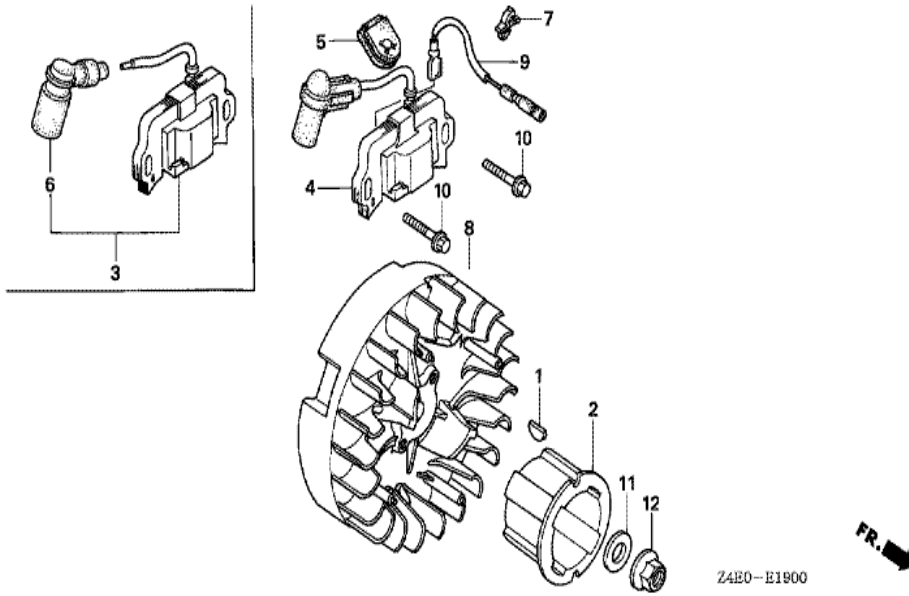
E-17 FUEL TANK



<u>Ref</u>	<u>Partnumber</u>	<u>Description</u>	<u>GX100U</u>	<u>Serial Numbers</u>
002	16952-ZE6-000	STRAINER, FUEL	1	
003	17511-Z4C-000	TANK, FUEL	1	1066449
003	17511-ZM7-010	TANK, FUEL	1	1066448
003	17511-ZM7-010	TANK, FUEL	1	1066448
005	17532-Z0D-T00	RUBBER A, TANK MOUNTING	2	
006	17533-Z0D-T00	RUBBER B, TANK MOUNTING	1	
007	17561-Z0D-000	STAY A, FUEL TANK	1	
008	17566-Z0D-T02	STAY B, FUEL TANK	1	
010	17620-ZL8-013	CAP ASSY., FUEL TANK	1	1066448
011	17622-ZL8-003	SPONGE, FUEL CAP BREATHER	1	
011	17622-ZL8-003	SPONGE, FUEL CAP BREATHER	1	1066448
012	17624-ZL8-003	PACKING, FUEL CAP	1	1066448
013	17701-Z0D-000	TUBE, FUEL	1	1009677
<u>Ref</u>	<u>Partnumber</u>	<u>Description</u>	<u>GX100U</u>	<u>Serial Numbers</u>
013	17701-Z4E-003	TUBE, FUEL (FKM)	1	1161428
013	17701-Z4E-003	TUBE, FUEL (FKM)	1	1009678
014	19052-MB4-880	COLLAR, CANISTER MOUNTING	2	
017	90343-ZE6-000	NUT, SELF-LOCK, 6MM	2	
018	90510-KY1-000	WASHER, PLAIN, 15MM	2	
021	95002-02080	CLIP, TUBE (B8)	1	1009677
022	95002-02100	CLIP, TUBE (B10)	1	1009677
024	95002-4080008	CLAMP, TUBE (D8)	1	
024	95002-4080008	CLAMP, TUBE (D8)	1	1009678
025	95002-4105008	CLAMP, TUBE (D10.5)	1	
025	95002-4105008	CLAMP, TUBE (D10.5)	1	1009678
026	17620-Z0J-800	CAP ASSY., FUEL TANK	1	
026	17620-Z0J-800	CAP ASSY., FUEL TANK	1	1066449

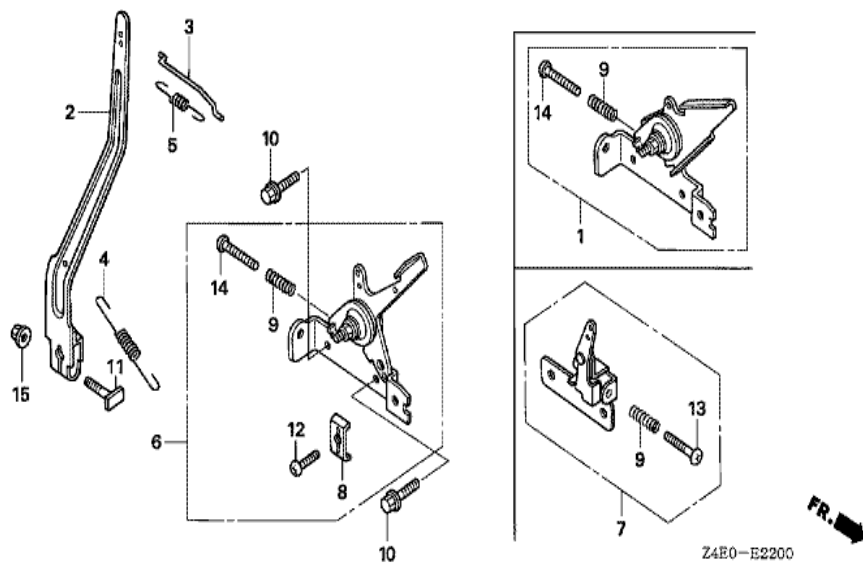
GX100U(VE3)

E-19 FLYWHEEL/IGNITION COIL



Ref	Partnumber	Description	GX100U	Serial Numbers
001	13331-ZM7-000	KEY, SPECIAL	1	
002	28451-Z0D-V02	PULLEY, STARTER	1	1019749
002	28451-Z0D-V03	PULLEY, STARTER	1	
002	28451-Z0D-V03	PULLEY, STARTER	1	1019750
004	30500-Z0D-013	COIL ASSY., IGNITION	1	
005	30564-ZA5-000	GROMMET, CORD	1	
007	30701-883-000	CLIP, HIGH TENSION CORD (8MM)	1	
008	31110-Z0D-003	FLYWHEEL COMP.	1	
009	32195-Z0D-000	CORD, STOP SWITCH	1	
010	90022-888-010	BOLT, FLANGE, 6X20 (CT200)	2	
012	94050-12000	NUT, FLANGE, 12MM	1	

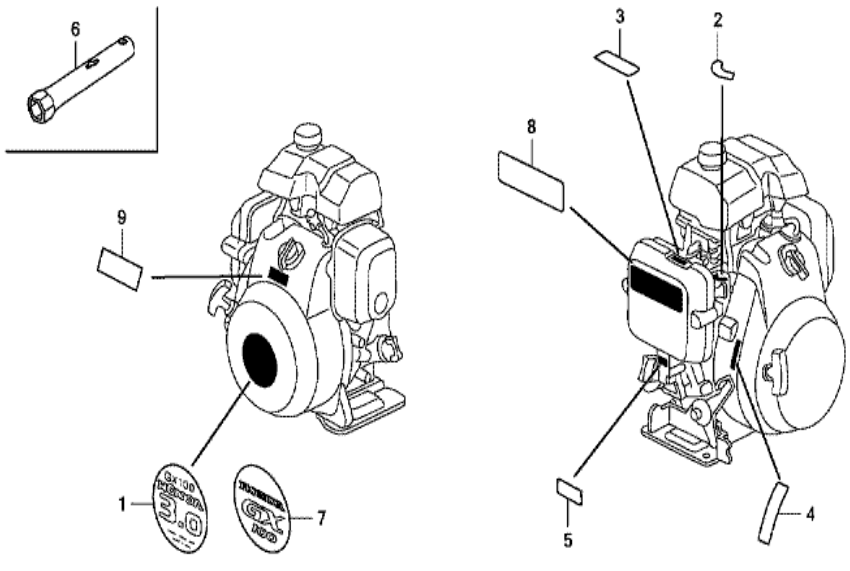
GX100U(VE3)	E-22 CONTROL (1)
-------------	------------------



Ref	Partnumber	Description	GX100U	Serial Numbers
001	16500-Z0D-T00	CONTROL ASSY.	1	
002	16551-Z0D-010	ARM, GOVERNOR	1	
003	16555-Z0D-000	ROD, GOVERNOR	1	
004	16561-Z0D-000	SPRING, GOVERNOR	1	
005	16562-Z0D-000	SPRING, THROTTLE RETURN	1	
009	16584-883-300	SPRING, CONTROL ADJUSTING	1	
010	90014-952-000	BOLT, FLANGE, 6X14 (CT200)	2	
011	90015-ZE5-010	BOLT, GOVERNOR ARM	1	
014	93500-050250A	SCREW, PAN, 5X25	1	
015	94050-06000	NUT, FLANGE, 6MM	1	



GX100U(VE3)	E-28 LABEL/TOOL
-------------	-----------------

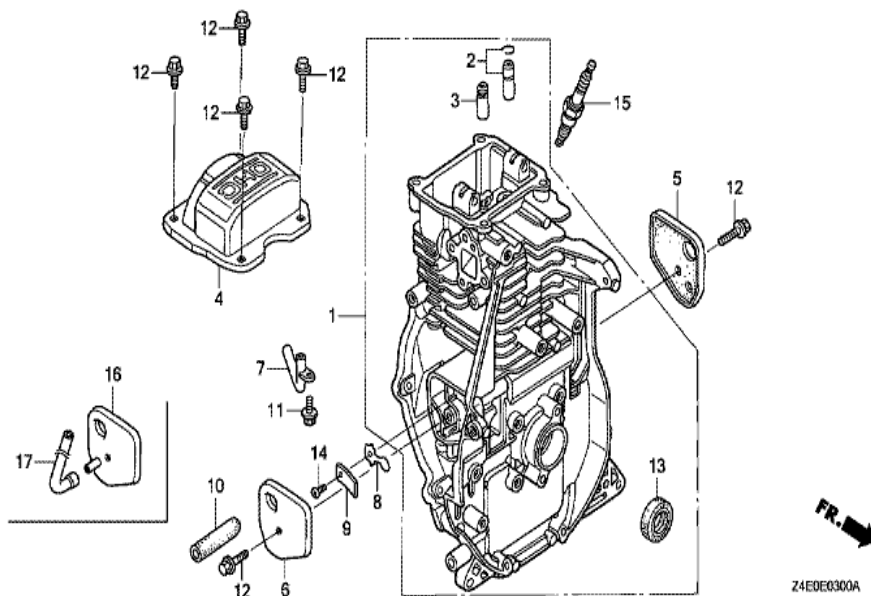


Z4E0E2800C

Ref	Partnumber	Description	GX100U	Serial Numbers
001	87521-Z0D-V01	EMBLEM (RAMMA) (GX100 3.0)	1	1066473
001	87521-Z0D-V01	EMBLEM (RAMMA) (GX100 3.0)	1	1066473
002	87528-ZG0-W40	MARK, COCK (EXTERNAL)	1	
003	87528-Z0D-000	MARK, CHOKE INDICATION	1	
004	87532-Z4E-000	MARK, THROTTLE INDICATION	1	
005	87601-Z0D-T50	MARK, TYPE (VE3)	1	
005	87601-Z0D-T50	MARK, TYPE (VE3)	1	
007	87521-Z0D-V02	EMBLEM (RAMMA) (GX100)	1	1066474
007	87521-Z0D-V02	EMBLEM (RAMMA) (GX100)	1	1066474

GX100U(VE3)

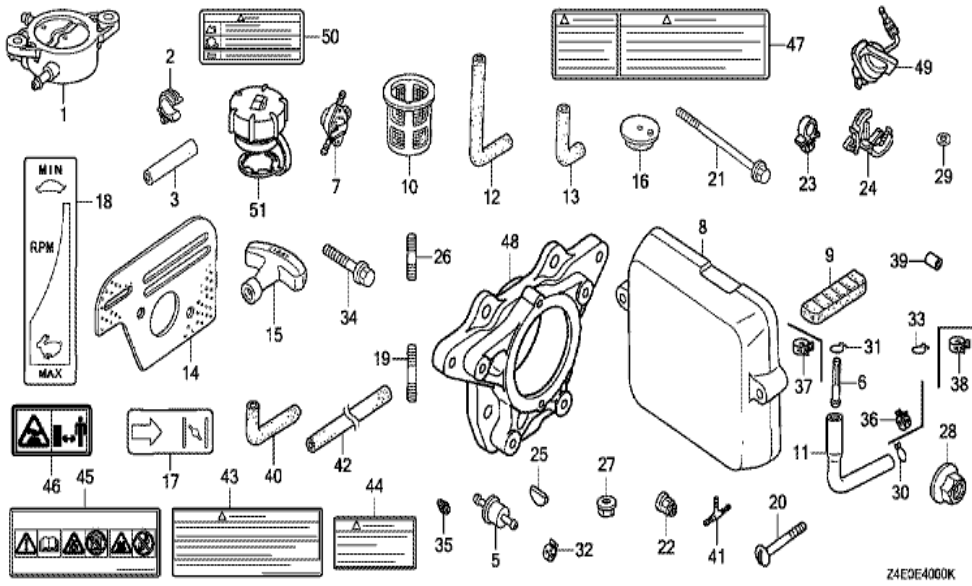
E-3 CYLINDER BARREL



<u>Ref</u>	<u>Partnumber</u>	<u>Description</u>	<u>GX100U</u>	<u>Serial Numbers</u>
001	12000-Z0D-405	BARREL ASSY., CYLINDER	1	
002	12201-Z0D-305	GUIDE ASSY., EX. VALVE (O.S.)	1	
003	12204-Z0D-305	GUIDE, IN. VALVE (O.S.)	1	
004	12311-Z0D-000	COVER, HEAD	1	
005	12355-Z0D-000	COVER COMP. A, BREATHER	1	
006	12365-Z0D-000	COVER COMP. B, BREATHER	1	
008	15571-ZM7-003	VALVE, OIL OUTLET	1	
008	15571-ZM7-003	VALVE, OIL OUTLET	1	
009	15572-ZM7-000	PLATE, STOPPER	1	
010	15721-Z0D-000	TUBE, BREATHER	1	
012	90014-952-000	BOLT, FLANGE, 6X14 (CT200)	6	
013	91202-KJ9-003	OIL SEAL, 20X32X6	1	
014	93500-030050A	SCREW, PAN, 3X5	1	
<u>Ref</u>	<u>Partnumber</u>	<u>Description</u>	<u>GX100U</u>	<u>Serial Numbers</u>
015	98056-55757	PLUG, SPARK (U16FSR-UB)	1	
015	98056-55757	PLUG, SPARK (U16FSR-UB)	1	
015	98056-55777	PLUG, SPARK (CR5HSB)	1	
015	98056-55777	PLUG, SPARK (CR5HSB)	1	

GX100U(VE3)

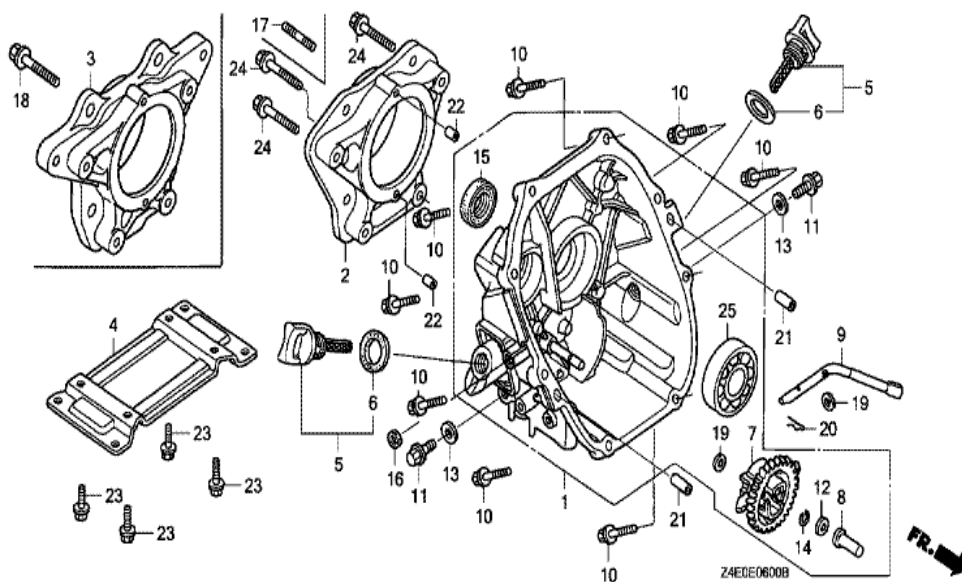
E-40 OTHER PARTS



Ref	Partnumber	Description	GX100U	Serial Numbers
035	99101-Z4E0560	JET (#56)	(1)	

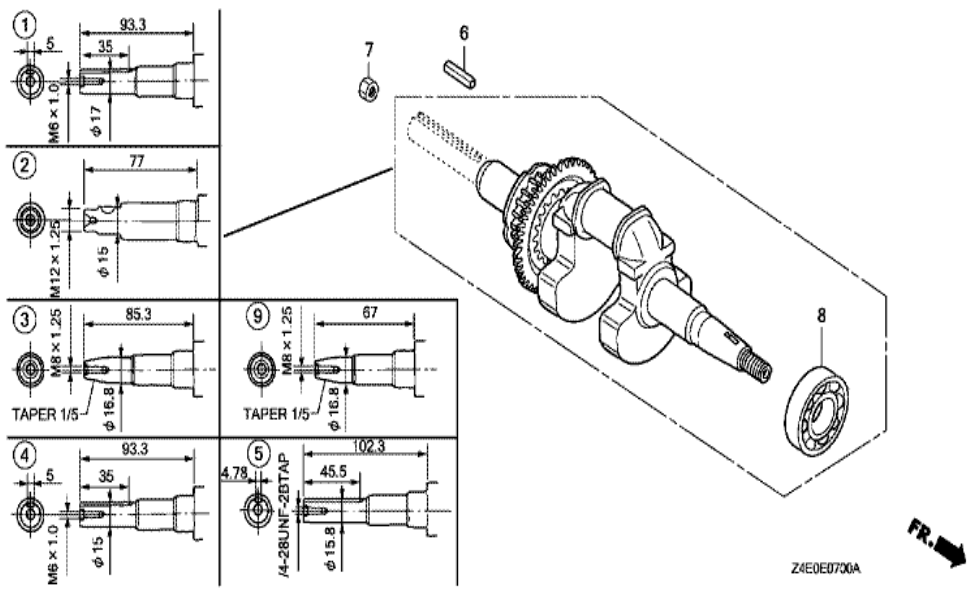
GX100U(VE3)

E-6 CRANKCASE COVER



Ref	Partnumber	Description	GX100U	Serial Numbers
001	11300-Z0D-405	COVER ASSY., CRANKCASE	1	
004	12351-Z0D-T00	BED, ENGINE	1	
004	12351-Z0D-T00	BED, ENGINE	1	
005	15600-ZM7-003	CAP ASSY., OIL FILLER	1	
005	15600-ZM7-003	CAP ASSY., OIL FILLER	2	
006	15625-ZE1-003	PACKING, OIL FILLER CAP	1	
006	15625-ZE1-003	PACKING, OIL FILLER CAP	2	
007	16510-ZL8-000	GOVERNOR ASSY.	1	
007	16510-ZL8-000	GOVERNOR ASSY.	1	
008	16531-ZE1-000	SLIDER, GOVERNOR	1	
009	16541-Z0D-000	SHAFT, GOVERNOR ARM	1	
010	90121-952-000	BOLT, FLANGE, 6X25 (CT200)	8	
011	90131-ZE1-000	BOLT, DRAIN PLUG	1	
Ref	Partnumber	Description	GX100U	Serial Numbers
011	90131-ZE1-000	BOLT, DRAIN PLUG	2	
012	90451-ZE1-000	WASHER, THRUST, 6MM	1	
013	90601-ZE1-000	WASHER, DRAIN PLUG, 10.2MM	1	
013	90601-ZE1-000	WASHER, DRAIN PLUG, 10.2MM	2	
014	90602-ZE1-000	CLIP, GOVERNOR HOLDER	1	
015	91202-KJ9-003	OIL SEAL, 20X32X6	1	
019	94101-06800	WASHER, PLAIN, 6MM	2	
020	94251-08000	PIN, LOCK, 8MM	1	
021	94301-08200	DOWEL PIN, 8X20	2	
023	95701-0801800	BOLT, FLANGE, 8X18	4	
025	96100-6204000	BEARING, RADIAL BALL, 6204	1	

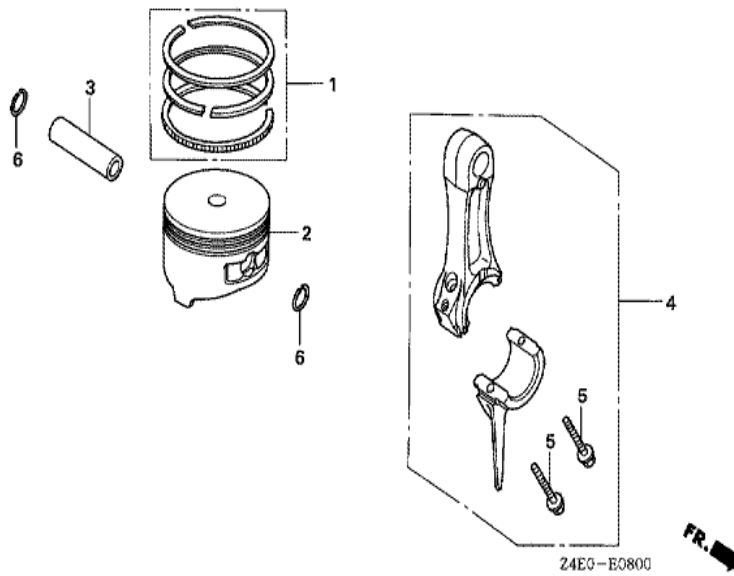
GX100U(VE3)	E-7 CRANKSHAFT
-------------	----------------



Ref	Partnumber	Description	GX100U	Serial Numbers
003	13310-Z0D-910	CRANKSHAFT COMP.	1	
008	96100-6204000	BEARING, RADIAL BALL, 6204	1	
008	96100-6204000	BEARING, RADIAL BALL, 6204	1	

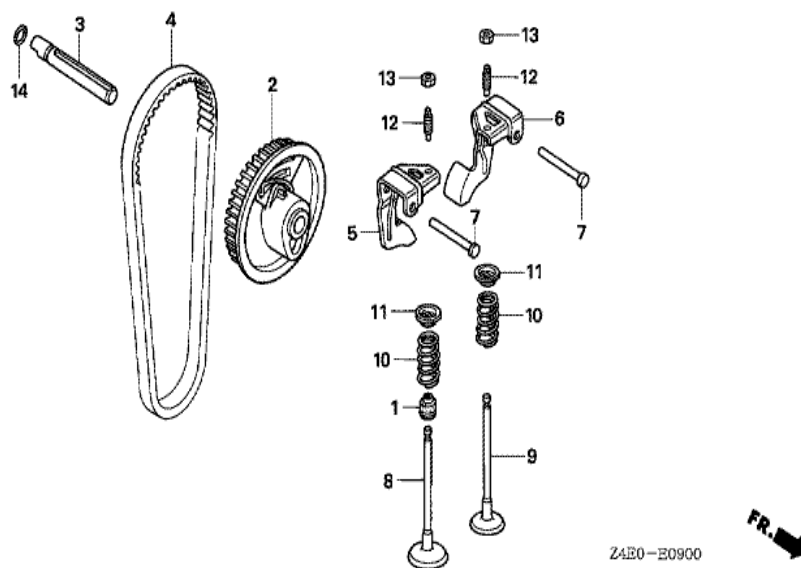
GX100U(VE3)

E-8 PISTON/CONNECTING ROD



Ref	Partnumber	Description	GX100U	Serial Numbers
001	13010-ZOD-003	RING SET, PISTON	1	
002	13101-ZOD-000	PISTON	1	
003	13111-ZE0-000	PIN, PISTON	1	
004	13200-ZOD-000	ROD ASSY., CONNECTING	1	
004	13200-ZOD-305	ROD ASSY., CONNECTING (UNDER SIZE)	(1)	
004	13200-ZOD-305	ROD ASSY., CONNECTING (UNDER SIZE)	(1)	
005	90001-ZM7-000	BOLT, CONNECTING ROD	2	
006	90551-ZE0-000	CLIP, PISTON PIN, 13MM	2	

GX100U(VE3)	E-9 CAMSHAFT PULLEY
-------------	---------------------



<u>Ref</u>	<u>Partnumber</u>	<u>Description</u>	<u>GX100U</u>	<u>Serial Numbers</u>
001	12209-KT7-013	SEAL, VALVE STEM	1	
002	14320-Z0D-010	PULLEY COMP., CAMSHAFT	1	
003	14324-Z0D-000	SHAFT, CAM PULLEY	1	
004	14400-Z0D-003	BELT, TIMING (61YU7 G-200)	1	
005	14431-Z0D-000	ARM, IN. VALVE ROCKER	1	
006	14441-Z0D-000	ARM, EX. VALVE ROCKER	1	
007	14461-ZL8-000	SHAFT, ROCKER ARM	2	
008	14711-Z0D-000	VALVE, IN.	1	
009	14721-Z0D-000	VALVE, EX.	1	
010	14751-Z0D-000	SPRING, VALVE	2	
011	14771-ZM3-010	RETAINER, VALVE SPRING	2	
012	90012-333-000	SCREW, TAPPET ADJUSTING	2	
013	90206-001-000	NUT, TAPPET ADJUSTING	2	
<u>Ref</u>	<u>Partnumber</u>	<u>Description</u>	<u>GX100U</u>	<u>Serial Numbers</u>
014	91301-ZM0-V31	O-RING, 6.8X1.9 (ARAI)	1	