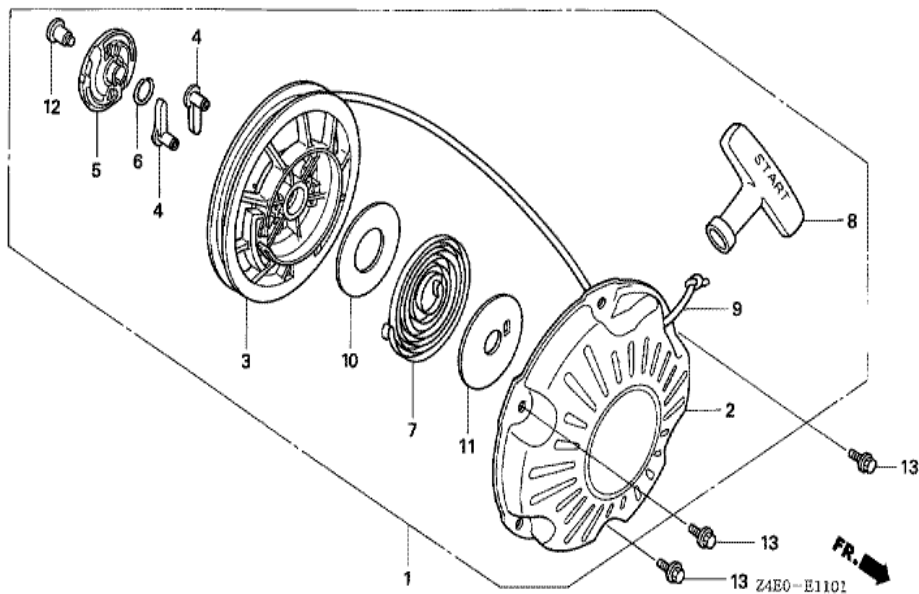
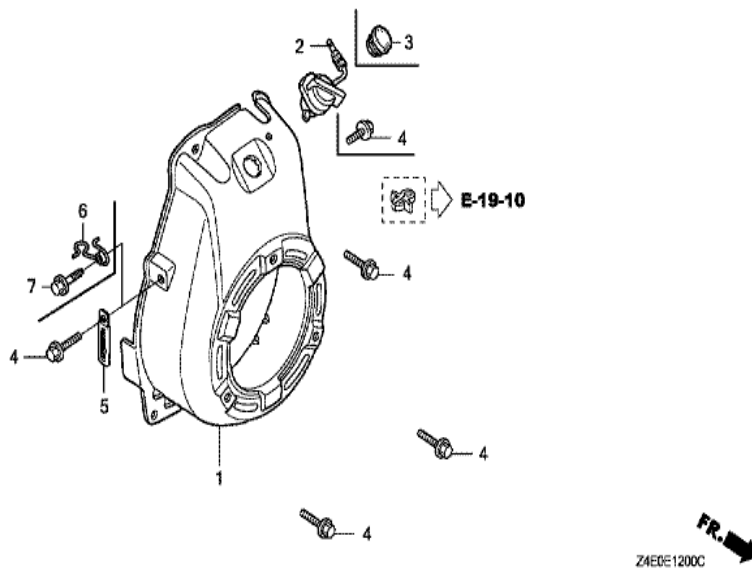


| | |
|-------------|---------------------------|
| GX100U(SE2) | E-11-1 RECOIL STARTER (2) |
|-------------|---------------------------|



| <u>Ref</u> | <u>Partnumber</u> | <u>Description</u> | <u>GX100U</u> | <u>Serial Numbers</u> |
|------------|-------------------|------------------------------------|---------------|-----------------------|
| 001 | 28400-ZOD-V04ZA | STARTER ASSY., RECOIL *NH1* | 1 | 1188241 |
| 001 | 28400-ZOD-V04ZA | STARTER ASSY., RECOIL *NH1* | 1 | |
| 001 | 28400-ZOD-V04ZC | STARTER ASSY., RECOIL *R280* | 1 | 1188241 |
| 001 | 28400-ZOD-V04ZC | STARTER ASSY., RECOIL *R280* | 1 | |
| 002 | 28410-ZOD-V02ZA | CASE COMP., RECOIL STARTER *NH1* | 1 | |
| 002 | 28410-ZOD-V02ZC | CASE COMP., RECOIL STARTER *R280 * | 1 | |
| 002 | 28410-ZOD-V02ZC | CASE COMP., RECOIL STARTER *R280 * | 1 | |
| 003 | 28421-ZOD-V02 | REEL, RECOIL STARTER | 1 | |
| 004 | 28422-ZG0-W02 | RATCHET, STARTER | 2 | |
| 005 | 28433-ZG0-W02 | GUIDE, RATCHET | 1 | |
| 006 | 28441-ZW6-003 | SPRING, FRICTION | 1 | |
| 007 | 28442-ZH8-003 | SPRING, RECOIL STARTER | 1 | |
| 008 | 28461-ZH8-013 | KNOB, RECOIL STARTER | 1 | 1188241 |
| <u>Ref</u> | <u>Partnumber</u> | <u>Description</u> | <u>GX100U</u> | <u>Serial Numbers</u> |
| 008 | 28461-ZH8-013 | KNOB, RECOIL STARTER | 1 | |
| 009 | 28462-ZOD-V03 | ROPE, RECOIL STARTER | 1 | |
| 010 | 28467-ZOD-V02 | PLATE, SIDE | 1 | |
| 011 | 28468-ZOD-V02 | PLATE, SLIDE | 1 | |
| 012 | 90003-ZH8-003 | SCREW, SETTING | 1 | |
| 013 | 95701-0600800 | BOLT, FLANGE, 6X8 | 3 | |

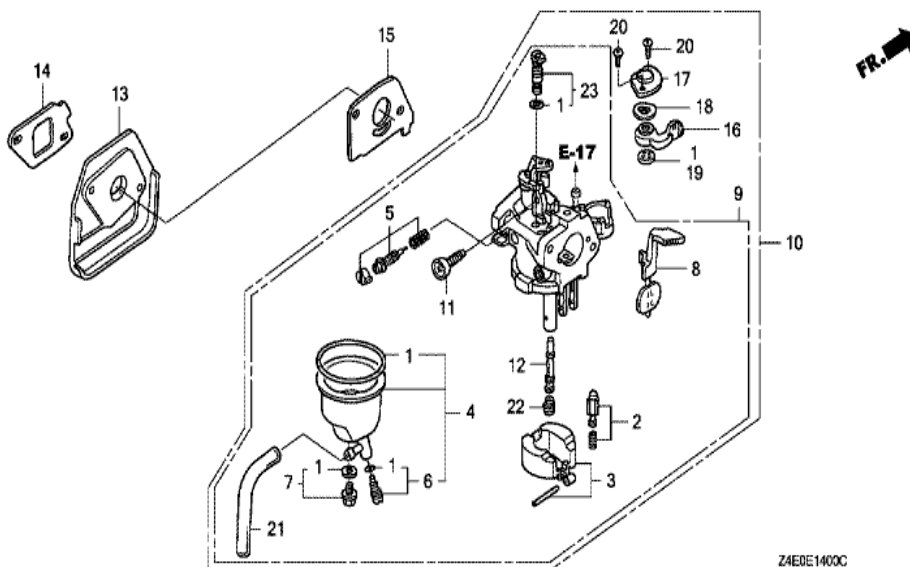
| | |
|-------------|----------------|
| GX100U(SE2) | E-12 FAN COVER |
|-------------|----------------|



| Ref | Partnumber | Description | GX100U | Serial Numbers |
|-----|-----------------|----------------------------|--------|----------------|
| 001 | 19610-Z0D-T00ZA | COVER COMP., FAN *NH1 * | 1 | |
| 001 | 19610-Z0D-T00ZA | COVER COMP., FAN *NH1 * | 1 | |
| 001 | 19610-Z0D-T00ZB | COVER COMP., FAN *R280 * | 1 | |
| 001 | 19610-Z0D-T00ZB | COVER COMP., FAN *R280 * | 1 | |
| 002 | 35120-Z0D-V81 | SWITCH ASSY., ENGINE STOP | 1 | |
| 004 | 90014-952-000 | BOLT, FLANGE, 6X14 (CT200) | 3 | |
| 004 | 90014-952-000 | BOLT, FLANGE, 6X14 (CT200) | 4 | |

GX100U(SE2)

E-14 CARBURETOR (STANDARD)

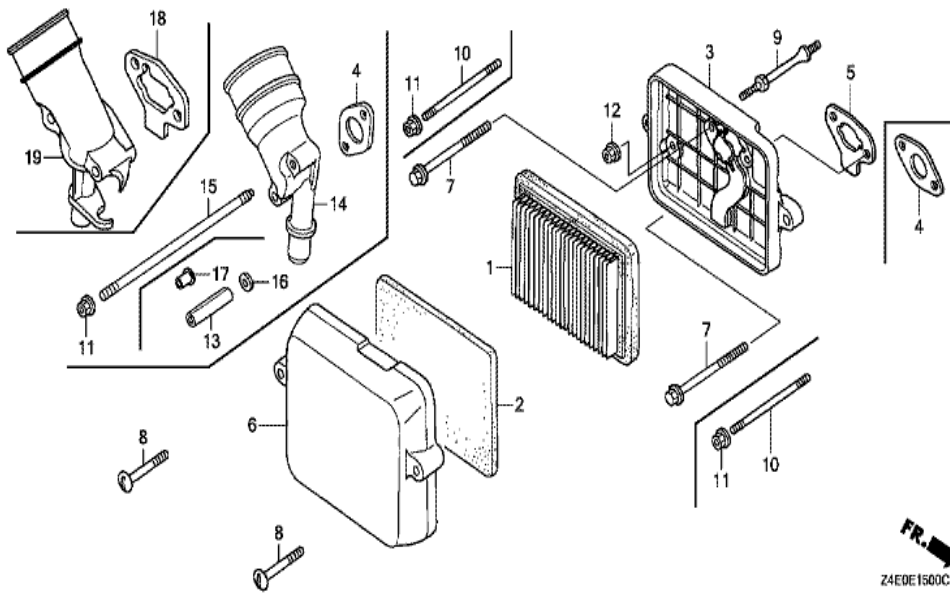


Z4E0E1400C

| Ref | Partnumber | Description | GX100U | Serial Numbers |
|------------|-------------------|---|---------------|-----------------------|
| 001 | 16010-ZM7-003 | GASKET SET | 1 | |
| 001 | 16010-ZM7-003 | GASKET SET | 1 | |
| 002 | 16011-ZE0-005 | VALVE SET, FLOAT | 1 | |
| 003 | 16013-ZG0-811 | FLOAT SET | 1 | |
| 004 | 16015-ZM7-003 | CHAMBER SET, FLOAT | 1 | |
| 005 | 16016-ZH7-W01 | SCREW SET, PILOT | 1 | |
| 006 | 16024-ZB9-005 | SCREW SET, DRAIN | 1 | |
| 007 | 16028-ZG0-811 | SCREW SET | 1 | |
| 008 | 16044-Z0D-003 | CHOKE SET | 1 | |
| 010 | 16100-Z4E-003 | CARBURETOR ASSY. (BF32H A) | 1 | 1352974 |
| 010 | 16100-Z4E-013 | CARBURETOR ASSY. (BF32H B) | 1 | 1352975 |
| 011 | 16124-ZE0-005 | SCREW, THROTTLE STOP | 1 | |
| 012 | 16166-Z0D-003 | NOZZLE, MAIN | 1 | |
| <u>Ref</u> | <u>Partnumber</u> | <u>Description</u> | <u>GX100U</u> | <u>Serial Numbers</u> |
| 013 | 16211-Z0D-000 | INSULATOR, CARBURETOR | 1 | |
| 014 | 16212-Z0D-000 | PACKING, INSULATOR | 1 | |
| 015 | 16221-ZG0-801 | PACKING, CARBURETOR | 1 | |
| 016 | 16953-Z0D-003 | LEVER, COCK | 1 | |
| 017 | 16954-ZE1-812 | PLATE, LEVER SETTING | 1 | |
| 018 | 16956-ZE1-811 | SPRING, COCK LEVER | 1 | |
| 019 | 16957-ZE1-812 | PACKING, FUEL COCK | 1 | |
| 020 | 93500-030061H | SCREW, PAN, 3X6 | 2 | |
| 021 | 95003-0501031 | TUBE, VINYL, 3.5X6.5X100 (95003-05001-60) | 1 | |
| 022 | 99101-ZG00550 | JET, MAIN, #55 | (1) | |
| 022 | 99101-ZG00580 | JET, MAIN, #58 | (1) | |
| 022 | 99101-ZG00580 | JET, MAIN, #58 | (1) | |
| 022 | 99101-ZG00600 | JET, MAIN, #60 | 1 | |
| 022 | 99101-ZG00600 | JET, MAIN, #60 | 1 | |
| 023 | 99204-ZE20350 | JET SET, PILOT, #35 | 1 | |

GX100U(SE2)

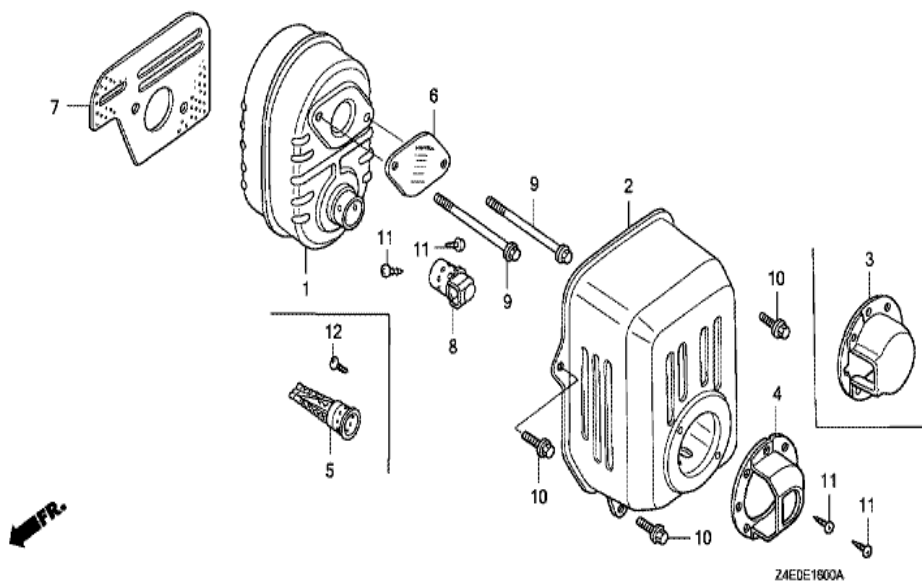
E-15 AIR CLEANER



| Ref | Partnumber | Description | GX100U | Serial Numbers |
|-----|---------------|----------------------------------|--------|----------------|
| 001 | 17211-ZL8-023 | ELEMENT, AIR CLEANER (TOYO ROKI) | 1 | |
| 002 | 17218-Z0D-000 | FILTER, OUTER | 1 | |
| 003 | 17220-Z0D-V20 | CASE COMP., AIR CLEANER | 1 | |
| 003 | 17220-Z0D-V20 | CASE COMP., AIR CLEANER | 1 | |
| 005 | 17274-ZT3-000 | PACKING, AIR INTAKE JOINT | 1 | |
| 005 | 17274-ZT3-000 | PACKING, AIR INTAKE JOINT | 1 | |
| 006 | 17231-Z0D-010 | COVER, AIR CLEANER | 1 | 1188574 |
| 006 | 17231-Z0D-010 | COVER, AIR CLEANER | 1 | |
| 007 | 90004-Z0D-000 | BOLT, FLANGE, 5X77 (CT200) | 2 | |
| 008 | 90011-Z0D-000 | BOLT, AIR CLEANER COVER | 2 | |
| 009 | 90041-Z0D-V20 | BOLT, STUD | 1 | |
| 009 | 90041-Z0D-V20 | BOLT, STUD | 1 | |
| 012 | 94050-06000 | NUT, FLANGE, 6MM | 1 | |

GX100U(SE2)

E-16 MUFFLER (1)



| <u>Ref</u> | <u>Partnumber</u> | <u>Description</u> | <u>GX100U</u> | <u>Serial Numbers</u> |
|------------|-------------------|----------------------------|---------------|-----------------------|
| 001 | 18310-ZM0-000 | MUFFLER COMP. | 1 | 1347685 |
| 001 | 18310-ZM0-010 | MUFFLER COMP. | 1 | 1347686 |
| 002 | 18320-Z0M-781 | PROTECTOR COMP., MUFFLER | 1 | 1192808 |
| 002 | 18320-Z0M-781 | PROTECTOR COMP., MUFFLER | 1 | |
| 004 | 18348-ZL8-000 | CAP, MUFFLER | 1 | |
| 005 | 18350-ZL8-000 | ARRESTER COMP., SPARK | 1 | 1207645 |
| 005 | 18350-ZL8-000 | ARRESTER COMP., SPARK | (1) | |
| 007 | 18381-Z0D-000 | GASKET, MUFFLER | 1 | |
| 008 | 18430-ZL8-000 | DEFLECTOR COMP., MUFFLER | 1 | |
| 009 | 90004-ZL8-000 | BOLT, FLANGE, 6X79 (CT200) | 2 | |
| 010 | 90014-952-000 | BOLT, FLANGE, 6X14 (CT200) | 3 | |
| 011 | 90055-ZE1-000 | SCREW, TAPPING, 4X6 | 4 | |
| 012 | 90055-ZE1-000 | SCREW, TAPPING, 4X6 | 1 | 1207645 |
| <u>Ref</u> | <u>Partnumber</u> | <u>Description</u> | <u>GX100U</u> | <u>Serial Numbers</u> |
| 012 | 90055-ZE1-000 | SCREW, TAPPING, 4X6 | (1) | |

GX100U(SE2)

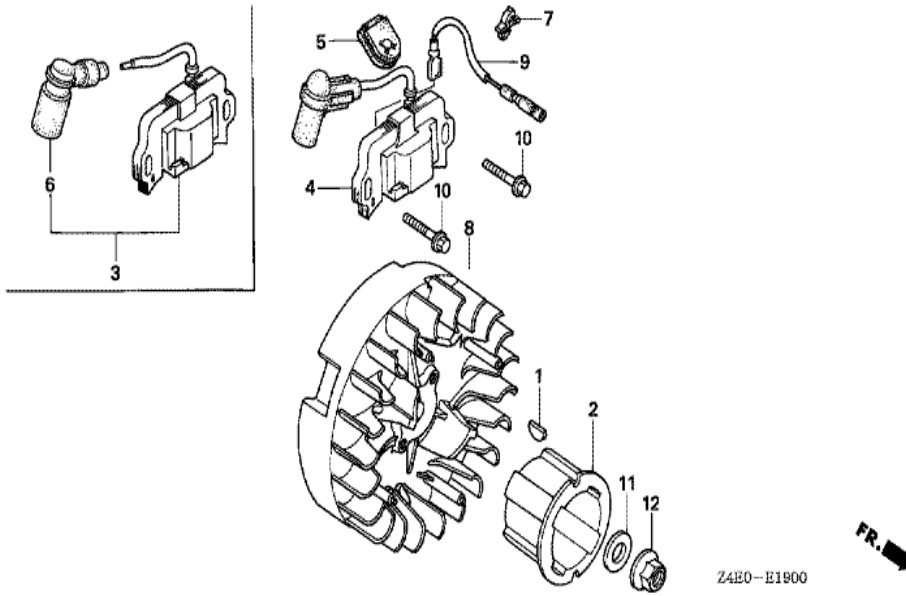
E-17 FUEL TANK



| <u>Ref</u> | <u>Partnumber</u> | <u>Description</u> | <u>GX100U</u> | <u>Serial Numbers</u> |
|------------|-------------------|---------------------------|---------------|-----------------------|
| 002 | 16952-ZE6-000 | STRAINER, FUEL | 1 | |
| 003 | 17511-Z4C-000 | TANK, FUEL | 1 | 1066449 |
| 003 | 17511-Z4C-000 | TANK, FUEL | 1 | 1303829 |
| 003 | 17511-Z4C-810 | TANK, FUEL | 1 | 1303830 |
| 005 | 17532-Z0D-T00 | RUBBER A, TANK MOUNTING | 2 | |
| 006 | 17533-Z0D-T00 | RUBBER B, TANK MOUNTING | 1 | |
| 007 | 17561-Z0D-000 | STAY A, FUEL TANK | 1 | |
| 008 | 17566-Z0D-T02 | STAY B, FUEL TANK | 1 | |
| 013 | 17701-Z4E-013 | TUBE, FUEL (FKM) | 1 | 1161429 |
| 013 | 17701-Z4E-013 | TUBE, FUEL (FKM) | 1 | 1352974 |
| 013 | 17701-Z4E-023 | TUBE, FUEL (FKM) | 1 | 1352975 |
| 014 | 19052-MB4-880 | COLLAR, CANISTER MOUNTING | 2 | |
| 017 | 90343-ZE6-000 | NUT, SELF-LOCK, 6MM | 2 | |
| <u>Ref</u> | <u>Partnumber</u> | <u>Description</u> | <u>GX100U</u> | <u>Serial Numbers</u> |
| 018 | 90510-KY1-000 | WASHER, PLAIN, 15MM | 2 | |
| 024 | 95002-4080008 | CLAMP, TUBE (D8) | 1 | |
| 025 | 95002-4105008 | CLAMP, TUBE (D10.5) | 1 | |
| 026 | 17620-Z0J-800 | CAP ASSY., FUEL TANK | 1 | |

GX100U(SE2)

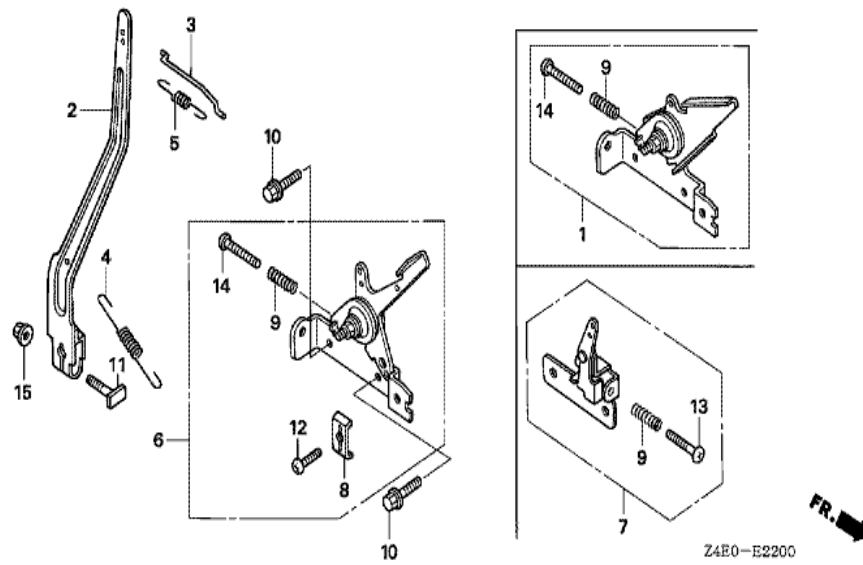
E-19 FLYWHEEL/IGNITION COIL



| Ref | Partnumber | Description | GX100U | Serial Numbers |
|-----|---------------|-------------------------------|--------|----------------|
| 001 | 13331-ZM7-000 | KEY, SPECIAL | 1 | |
| 002 | 28451-Z0D-V03 | PULLEY, STARTER | 1 | |
| 004 | 30500-Z0D-023 | COIL ASSY., IGNITION | 1 | 1090475 |
| 004 | 30500-Z0D-023 | COIL ASSY., IGNITION | 1 | |
| 005 | 30564-ZA5-000 | GROMMET, CORD | 1 | |
| 007 | 30701-883-000 | CLIP, HIGH TENSION CORD (8MM) | 1 | |
| 008 | 31110-Z0D-003 | FLYWHEEL COMP. | 1 | |
| 009 | 32195-Z0D-000 | CORD, STOP SWITCH | 1 | |
| 010 | 90022-888-010 | BOLT, FLANGE, 6X20 (CT200) | 2 | |
| 012 | 94050-12000 | NUT, FLANGE, 12MM | 1 | |

GX100U(SE2)

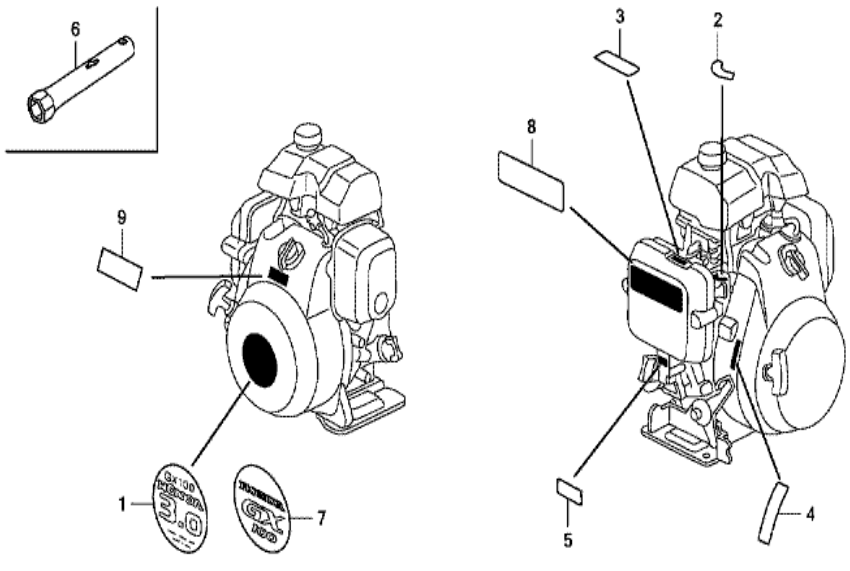
E-22 CONTROL (1)



Z4E0-E2200

| Ref | Partnumber | Description | GX100U | Serial Numbers |
|-----|---------------|----------------------------|--------|----------------|
| 001 | 16500-Z0D-T00 | CONTROL ASSY. | 1 | |
| 002 | 16551-Z0D-010 | ARM, GOVERNOR | 1 | |
| 003 | 16555-Z0D-000 | ROD, GOVERNOR | 1 | |
| 004 | 16561-Z0D-000 | SPRING, GOVERNOR | 1 | |
| 005 | 16562-Z0D-000 | SPRING, THROTTLE RETURN | 1 | |
| 009 | 16584-883-300 | SPRING, CONTROL ADJUSTING | 1 | |
| 010 | 90014-952-000 | BOLT, FLANGE, 6X14 (CT200) | 2 | |
| 011 | 90015-ZE5-010 | BOLT, GOVERNOR ARM | 1 | |
| 014 | 93500-050250A | SCREW, PAN, 5X25 | 1 | |
| 015 | 94050-06000 | NUT, FLANGE, 6MM | 1 | |

| | |
|-------------|-----------------|
| GX100U(SE2) | E-28 LABEL/TOOL |
|-------------|-----------------|

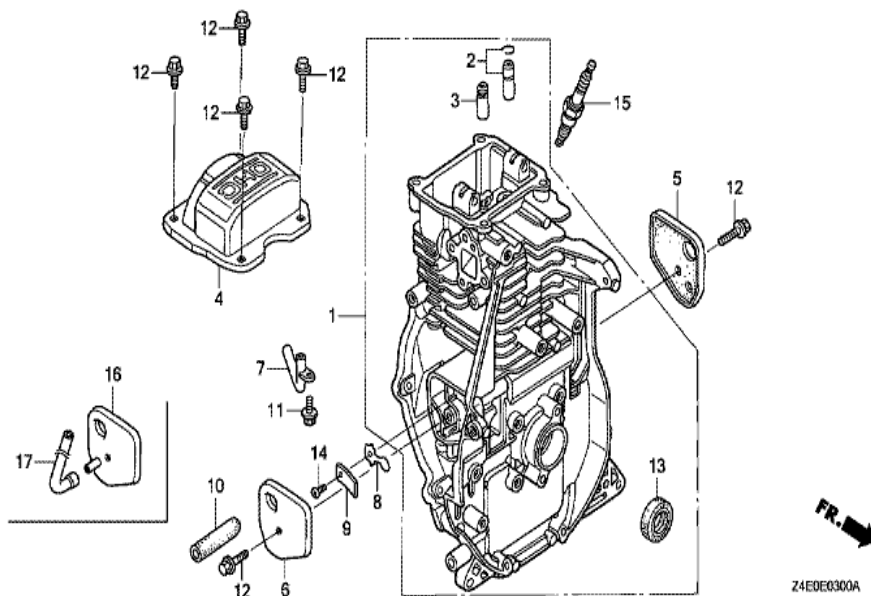


Z4E0E2800C

| Ref | Partnumber | Description | GX100U | Serial Numbers |
|-----|---------------|----------------------------------|--------|----------------|
| 002 | 87528-ZG0-W40 | MARK, COCK (EXTERNAL) | 1 | |
| 003 | 87528-ZOD-000 | MARK, CHOKE INDICATION | 1 | |
| 004 | 87532-Z4E-000 | MARK, THROTTLE INDICATION | 1 | |
| 005 | 87601-Z4E-W20 | MARK, TYPE (SE2) | 1 | |
| 005 | 87601-Z4E-W20 | MARK, TYPE (SE2) | 1 | |
| 007 | 87521-ZOD-V02 | EMBLEM (RAMMA) (GX100) | 1 | 1066474 |
| 007 | 87521-ZOD-V02 | EMBLEM (RAMMA) (GX100) | 1 | |
| 008 | 87516-Z0J-000 | MARK, OPERATOR CAUTION (ENGLISH) | 1 | |
| 009 | 87539-Z0J-000 | MARK, EX. CAUTION (ENGLISH) | 1 | |

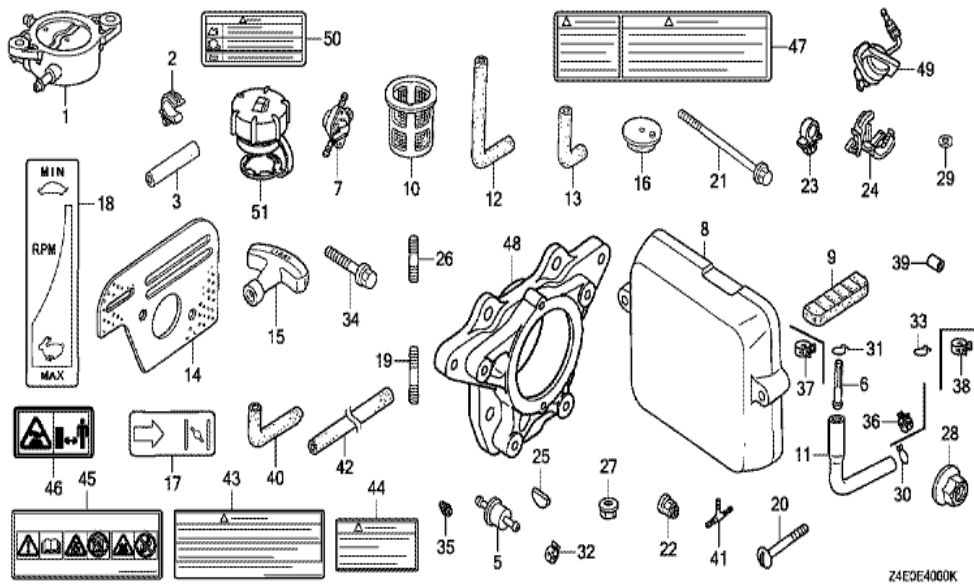
GX100U(SE2)

E-3 CYLINDER BARREL



| <u>Ref</u> | <u>Partnumber</u> | <u>Description</u> | <u>GX100U</u> | <u>Serial Numbers</u> |
|------------|-------------------|-------------------------------|---------------|-----------------------|
| 001 | 12000-Z0D-405 | BARREL ASSY., CYLINDER | 1 | |
| 002 | 12201-Z0D-305 | GUIDE ASSY., EX. VALVE (O.S.) | 1 | |
| 003 | 12204-Z0D-305 | GUIDE, IN. VALVE (O.S.) | 1 | |
| 004 | 12311-Z0D-000 | COVER, HEAD | 1 | |
| 005 | 12355-Z0D-000 | COVER COMP. A, BREATHER | 1 | |
| 006 | 12365-Z0D-000 | COVER COMP. B, BREATHER | 1 | |
| 008 | 15571-ZM7-003 | VALVE, OIL OUTLET | 1 | |
| 008 | 15571-ZM7-003 | VALVE, OIL OUTLET | 1 | |
| 009 | 15572-ZM7-000 | PLATE, STOPPER | 1 | |
| 010 | 15721-Z0D-000 | TUBE, BREATHER | 1 | |
| 012 | 90014-952-000 | BOLT, FLANGE, 6X14 (CT200) | 6 | |
| 013 | 91202-KJ9-003 | OIL SEAL, 20X32X6 | 1 | |
| 014 | 93500-030050A | SCREW, PAN, 3X5 | 1 | |
| <u>Ref</u> | <u>Partnumber</u> | <u>Description</u> | <u>GX100U</u> | <u>Serial Numbers</u> |
| 015 | 98056-55757 | PLUG, SPARK (U16FSR-UB) | 1 | |
| 015 | 98056-55757 | PLUG, SPARK (U16FSR-UB) | 1 | |
| 015 | 98056-55777 | PLUG, SPARK (CR5HSB) | 1 | |
| 015 | 98056-55777 | PLUG, SPARK (CR5HSB) | 1 | |

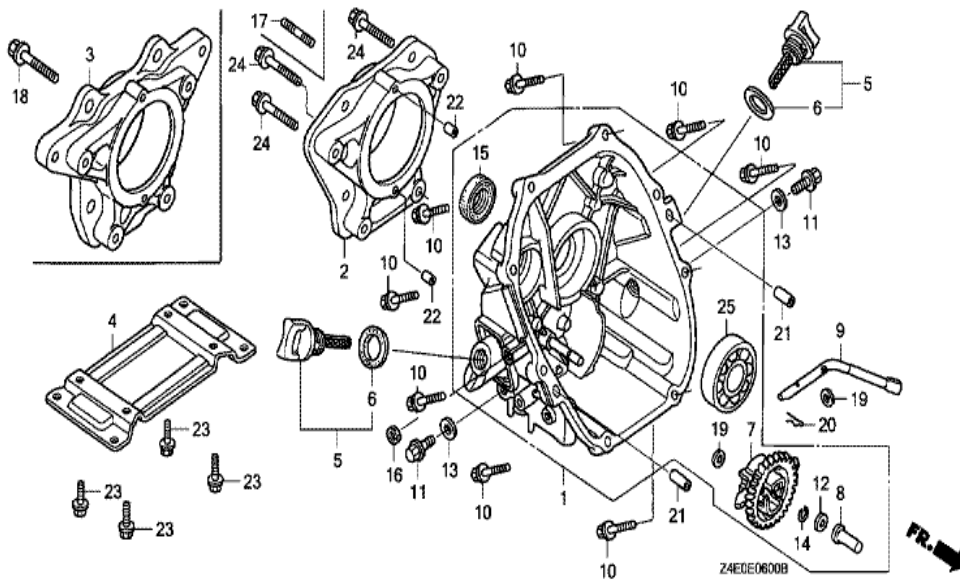
| | |
|-------------|------------------|
| GX100U(SE2) | E-40 OTHER PARTS |
|-------------|------------------|



| Ref | Partnumber | Description | GX100U | Serial Numbers |
|-----|---------------|---------------------------------|--------|----------------|
| 035 | 99101-Z4E0560 | JET (#56) | (1) | |
| 043 | 87516-Z0J-800 | MARK, OPERATOR CAUTION (FRENCH) | 1 | 1189916 |
| 043 | 87516-Z0J-800 | MARK, OPERATOR CAUTION (FRENCH) | 1 | |
| 043 | 87516-Z0J-800 | MARK, OPERATOR CAUTION (FRENCH) | 1 | |
| 044 | 87539-Z0J-810 | MARK, EX. CAUTION (FRENCH) | 1 | |
| 044 | 87539-Z0J-810 | MARK, EX. CAUTION (FRENCH) | 1 | |
| 045 | 87519-Z0J-000 | MARK, OPERATOR CAUTION | 1 | |
| 046 | 87539-Z0J-800 | MARK, EX. CAUTION (PICTOGRAPH) | 1 | |

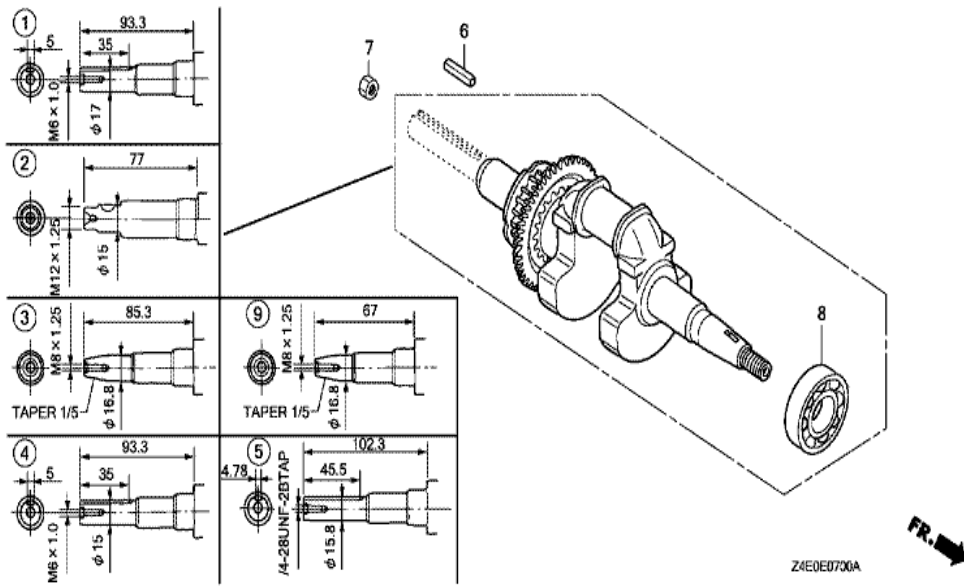
GX100U(SE2)

E-6 CRANKCASE COVER



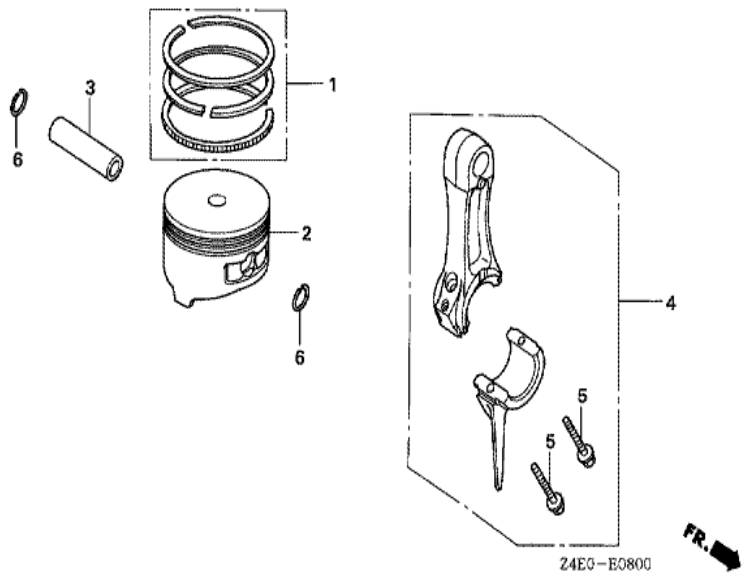
| <u>Ref</u> | <u>Partnumber</u> | <u>Description</u> | <u>GX100U</u> | <u>Serial Numbers</u> |
|------------|-------------------|----------------------------|---------------|-----------------------|
| 001 | 11300-Z0D-405 | COVER ASSY., CRANKCASE | 1 | |
| 004 | 12351-Z0D-T00 | BED, ENGINE | 1 | |
| 004 | 12351-Z0D-T00 | BED, ENGINE | 1 | |
| 005 | 15600-ZM7-003 | CAP ASSY., OIL FILLER | 1 | |
| 005 | 15600-ZM7-003 | CAP ASSY., OIL FILLER | 2 | |
| 006 | 15625-ZE1-003 | PACKING, OIL FILLER CAP | 1 | |
| 006 | 15625-ZE1-003 | PACKING, OIL FILLER CAP | 2 | |
| 007 | 16510-ZL8-000 | GOVERNOR ASSY. | 1 | |
| 007 | 16510-ZL8-000 | GOVERNOR ASSY. | 1 | |
| 008 | 16531-ZE1-000 | SLIDER, GOVERNOR | 1 | |
| 009 | 16541-Z0D-000 | SHAFT, GOVERNOR ARM | 1 | |
| 010 | 90121-952-000 | BOLT, FLANGE, 6X25 (CT200) | 8 | |
| 011 | 90131-ZE1-000 | BOLT, DRAIN PLUG | 1 | |
| <u>Ref</u> | <u>Partnumber</u> | <u>Description</u> | <u>GX100U</u> | <u>Serial Numbers</u> |
| 011 | 90131-ZE1-000 | BOLT, DRAIN PLUG | 2 | |
| 012 | 90451-ZE1-000 | WASHER, THRUST, 6MM | 1 | |
| 013 | 90601-ZE1-000 | WASHER, DRAIN PLUG, 10.2MM | 1 | |
| 013 | 90601-ZE1-000 | WASHER, DRAIN PLUG, 10.2MM | 2 | |
| 014 | 90602-ZE1-000 | CLIP, GOVERNOR HOLDER | 1 | |
| 015 | 91202-KJ9-003 | OIL SEAL, 20X32X6 | 1 | |
| 019 | 94101-06800 | WASHER, PLAIN, 6MM | 2 | |
| 020 | 94251-08000 | PIN, LOCK, 8MM | 1 | |
| 021 | 94301-08200 | DOWEL PIN, 8X20 | 2 | |
| 023 | 95701-0801800 | BOLT, FLANGE, 8X18 | 4 | |
| 025 | 96100-6204000 | BEARING, RADIAL BALL, 6204 | 1 | |

| | |
|-------------|----------------|
| GX100U(SE2) | E-7 CRANKSHAFT |
|-------------|----------------|



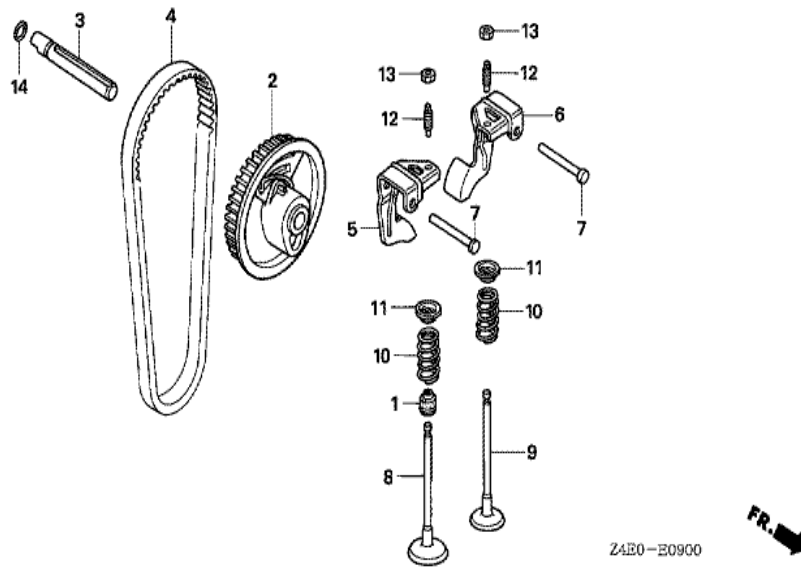
| Ref | Partnumber | Description | GX100U | Serial Numbers |
|-----|---------------|----------------------------|--------|----------------|
| 004 | 13310-Z0D-000 | CRANKSHAFT COMP. | 1 | |
| 006 | 90741-883-810 | KEY, 5X5X33 (YELLOW) | 1 | |
| 008 | 96100-6204000 | BEARING, RADIAL BALL, 6204 | 1 | |
| 008 | 96100-6204000 | BEARING, RADIAL BALL, 6204 | 1 | |

| | |
|-------------|---------------------------|
| GX100U(SE2) | E-8 PISTON/CONNECTING ROD |
|-------------|---------------------------|



| Ref | Partnumber | Description | GX100U | Serial Numbers |
|-----|---------------|------------------------------------|--------|----------------|
| 001 | 13010-ZOD-003 | RING SET, PISTON | 1 | |
| 002 | 13101-ZOD-000 | PISTON | 1 | |
| 003 | 13111-ZE0-000 | PIN, PISTON | 1 | |
| 004 | 13200-ZOD-000 | ROD ASSY., CONNECTING | 1 | |
| 004 | 13200-ZOD-305 | ROD ASSY., CONNECTING (UNDER SIZE) | (1) | |
| 004 | 13200-ZOD-305 | ROD ASSY., CONNECTING (UNDER SIZE) | (1) | |
| 005 | 90001-ZM7-000 | BOLT, CONNECTING ROD | 2 | |
| 006 | 90551-ZE0-000 | CLIP, PISTON PIN, 13MM | 2 | |

| | |
|-------------|---------------------|
| GX100U(SE2) | E-9 CAMSHAFT PULLEY |
|-------------|---------------------|



| <u>Ref</u> | <u>Partnumber</u> | <u>Description</u> | <u>GX100U</u> | <u>Serial Numbers</u> |
|------------|-------------------|----------------------------|---------------|-----------------------|
| 001 | 12209-KT7-013 | SEAL, VALVE STEM | 1 | |
| 002 | 14320-Z0D-010 | PULLEY COMP., CAMSHAFT | 1 | |
| 003 | 14324-Z0D-000 | SHAFT, CAM PULLEY | 1 | |
| 004 | 14400-Z0D-003 | BELT, TIMING (61YU7 G-200) | 1 | |
| 005 | 14431-Z0D-000 | ARM, IN. VALVE ROCKER | 1 | |
| 006 | 14441-Z0D-000 | ARM, EX. VALVE ROCKER | 1 | |
| 007 | 14461-ZL8-000 | SHAFT, ROCKER ARM | 2 | |
| 008 | 14711-Z0D-000 | VALVE, IN. | 1 | |
| 009 | 14721-Z0D-000 | VALVE, EX. | 1 | |
| 010 | 14751-Z0D-000 | SPRING, VALVE | 2 | |
| 011 | 14771-ZM3-010 | RETAINER, VALVE SPRING | 2 | |
| 012 | 90012-333-000 | SCREW, TAPPET ADJUSTING | 2 | |
| 013 | 90206-001-000 | NUT, TAPPET ADJUSTING | 2 | |
| <u>Ref</u> | <u>Partnumber</u> | <u>Description</u> | <u>GX100U</u> | <u>Serial Numbers</u> |
| 014 | 91301-ZM0-V31 | O-RING, 6.8X1.9 (ARAI) | 1 | |