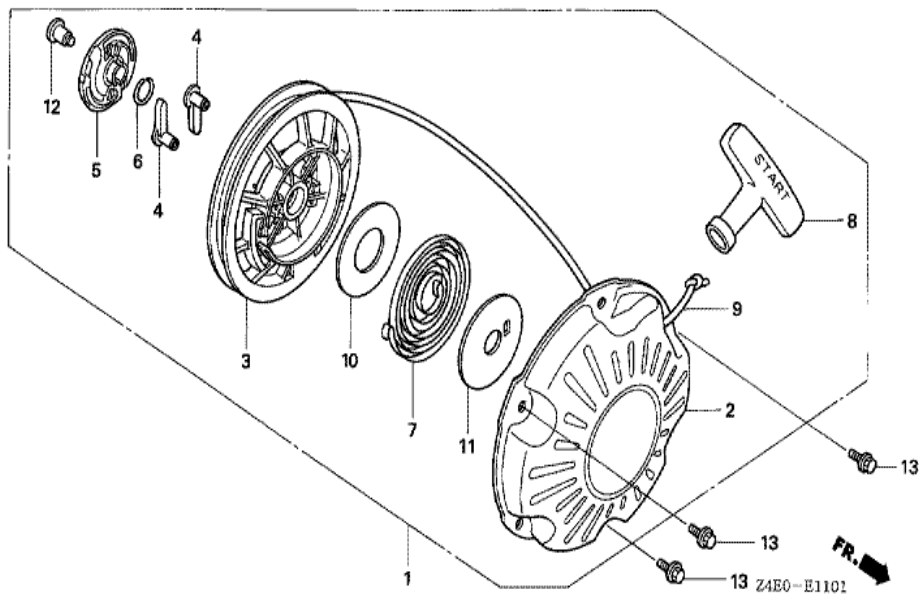
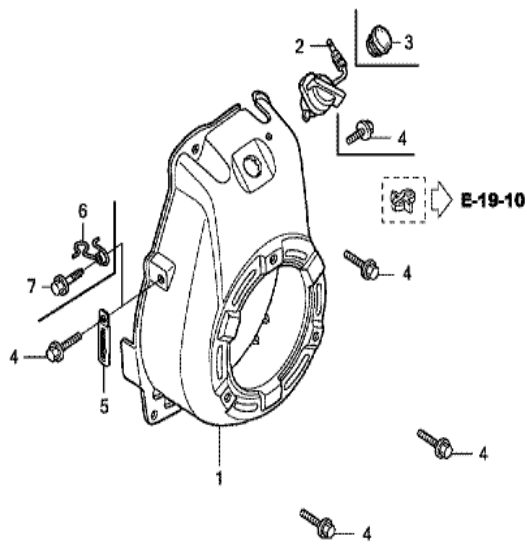


|              |                           |
|--------------|---------------------------|
| GX100U(KRSU) | E-11-1 RECOIL STARTER (2) |
|--------------|---------------------------|



| <u>Ref</u> | <u>Partnumber</u> | <u>Description</u>                 | <u>GX100U</u> | <u>Serial Numbers</u> |
|------------|-------------------|------------------------------------|---------------|-----------------------|
| 001        | 28400-ZOD-V04ZC   | STARTER ASSY., RECOIL *R280*       | 1             | 1188241               |
| 001        | 28400-ZOD-V04ZC   | STARTER ASSY., RECOIL *R280*       | 1             |                       |
| 002        | 28410-ZOD-V02ZC   | CASE COMP., RECOIL STARTER *R280 * | 1             |                       |
| 002        | 28410-ZOD-V02ZC   | CASE COMP., RECOIL STARTER *R280 * | 1             |                       |
| 003        | 28421-ZOD-V02     | REEL, RECOIL STARTER               | 1             |                       |
| 004        | 28422-ZG0-W02     | RATCHET, STARTER                   | 2             |                       |
| 005        | 28433-ZG0-W02     | GUIDE, RATCHET                     | 1             |                       |
| 006        | 28441-ZW6-003     | SPRING, FRICTION                   | 1             |                       |
| 007        | 28442-ZH8-003     | SPRING, RECOIL STARTER             | 1             |                       |
| 008        | 28461-ZH8-013     | KNOB, RECOIL STARTER               | 1             | 1188241               |
| 008        | 28461-ZH8-013     | KNOB, RECOIL STARTER               | 1             |                       |
| 009        | 28462-ZOD-V03     | ROPE, RECOIL STARTER               | 1             |                       |
| 010        | 28467-ZOD-V02     | PLATE, SIDE                        | 1             |                       |
| <u>Ref</u> | <u>Partnumber</u> | <u>Description</u>                 | <u>GX100U</u> | <u>Serial Numbers</u> |
| 011        | 28468-ZOD-V02     | PLATE, SLIDE                       | 1             |                       |
| 012        | 90003-ZH8-003     | SCREW, SETTING                     | 1             |                       |
| 013        | 95701-0600800     | BOLT, FLANGE, 6X8                  | 3             |                       |

|              |                |
|--------------|----------------|
| GX100U(KRSU) | E-12 FAN COVER |
|--------------|----------------|

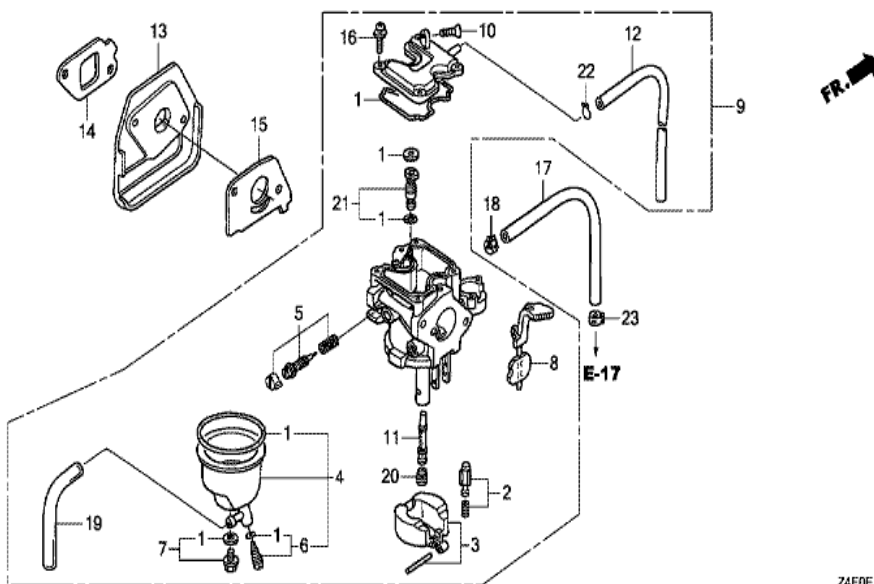


FR.   
 ZAEDE1200C

| Ref | Partnumber      | Description                | GX100U | Serial Numbers |
|-----|-----------------|----------------------------|--------|----------------|
| 001 | 19610-Z0D-V00ZC | COVER COMP., FAN *R280 *   | 1      |                |
| 001 | 19610-Z0D-V00ZC | COVER COMP., FAN *R280 *   | 1      |                |
| 002 | 35120-Z0D-V81   | SWITCH ASSY., ENGINE STOP  | 1      |                |
| 004 | 90014-952-000   | BOLT, FLANGE, 6X14 (CT200) | 3      |                |
| 004 | 90014-952-000   | BOLT, FLANGE, 6X14 (CT200) | 4      |                |

GX100U(KRSU)

E-14-1 CARBURETOR (RAMMER FLOAT)

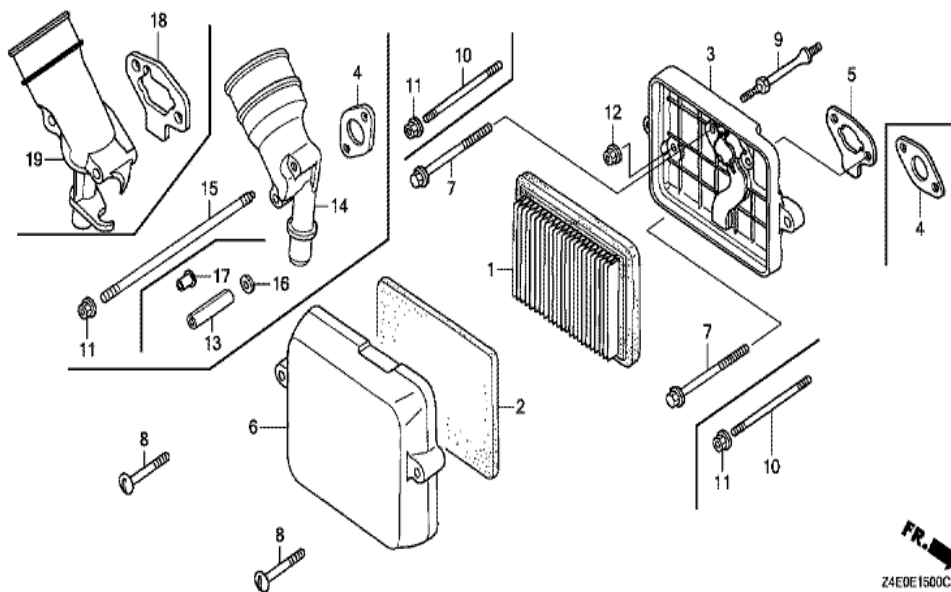


Z4E0E1401D

| Ref | Partnumber    | Description                | GX100U | Serial Numbers  |
|-----|---------------|----------------------------|--------|-----------------|
| 001 | 16010-Z0D-V21 | GASKET SET                 | 1      |                 |
| 002 | 16011-ZE0-005 | VALVE SET, FLOAT           | 1      |                 |
| 003 | 16013-ZG0-811 | FLOAT SET                  | 1      |                 |
| 004 | 16015-Z0D-V21 | CHAMBER SET, FLOAT         | 1      |                 |
| 005 | 16016-Z0D-V21 | SCREW SET                  | 1      |                 |
| 006 | 16024-ZB9-005 | SCREW SET, DRAIN           | 1      |                 |
| 007 | 16028-ZW6-611 | SCREW SET                  | 1      |                 |
| 008 | 16044-Z0D-V21 | LEVER SET, CHOKE           | 1      |                 |
| 008 | 16044-Z0D-V21 | LEVER SET, CHOKE           | 1      |                 |
| 009 | 16100-Z0D-V22 | CARBURETOR ASSY. (BF33D B) | 1      | 1264108         |
| 009 | 16100-Z0D-V23 | CARBURETOR ASSY. (BF33D C) | 1      | 1264109 1354176 |
| 009 | 16100-Z4E-831 | CARBURETOR ASSY. (BF33P A) | 1      | 1354177         |
| 010 | 16124-ZE0-005 | SCREW, THROTTLE STOP       | 1      |                 |

| <u>Ref</u> | <u>Partnumber</u> | <u>Description</u>                        | <u>GX100U</u> | <u>Serial Numbers</u> |
|------------|-------------------|---|---------------|-----------------------|
| 011        | 16166-Z0D-003     | NOZZLE, MAIN                              | 1             |                       |
| 012        | 16199-Z0D-V21     | TUBE, AIR VENT                            | 1             |                       |
| 013        | 16211-Z0D-000     | INSULATOR, CARBURETOR                     | 1             |                       |
| 014        | 16212-Z0D-V20     | PACKING, INSULATOR                        | 1             |                       |
| 015        | 16221-ZG0-801     | PACKING, CARBURETOR                       | 1             |                       |
| 016        | 93892-0401218     | SCREW-WASHER, 4X12                        | 4             |                       |
| 017        | 91434-Z4E-801     | HOSE, FUEL, 4.5X50 (FKM)                  | 1             | 1210739               |
| 017        | 95001-4505050     | HOSE, FUEL, 4.5X50 (95001-45001-50M)      | 1             |                       |
| 017        | 95001-4505050     | HOSE, FUEL, 4.5X50 (95001-45001-50M)      | 1             |                       |
| 017        | 95001-4505050     | HOSE, FUEL, 4.5X50 (95001-45001-50M)      | 1             | 1210738               |
| 018        | 95002-4085008     | CLAMP, TUBE (D8.5)                        | 1             |                       |
| 019        | 95003-0501031     | TUBE, VINYL, 3.5X6.5X100 (95003-05001-60) | 1             |                       |
| 020        | 99101-ZG00550     | JET, MAIN, #55                            | (1)           |                       |
| 020        | 99101-ZG00550     | JET, MAIN, #55                            | (1)           |                       |
| 020        | 99101-ZG00580     | JET, MAIN, #58                            | (1)           |                       |
| 020        | 99101-ZG00580     | JET, MAIN, #58                            | (1)           |                       |
| 020        | 99101-ZG00580     | JET, MAIN, #58                            | (1)           |                       |
| 020        | 99101-ZG00600     | JET, MAIN, #60                            | 1             |                       |
| 020        | 99101-ZG00600     | JET, MAIN, #60                            | 1             |                       |
| 020        | 99101-ZG00600     | JET, MAIN, #60                            | 1             |                       |
| 021        | 99204-ZE00350     | JET SET, PILOT, #35                       | 1             |                       |
| 022        | 95002-02089       | CLIP, TUBE (B1 8)                         | 1             |                       |
| 022        | 95002-02089       | CLIP, TUBE (B1 8)                         | 1             |                       |
| 023        | 95002-4085008     | CLAMP, TUBE (D8.5)                        | 1             |                       |

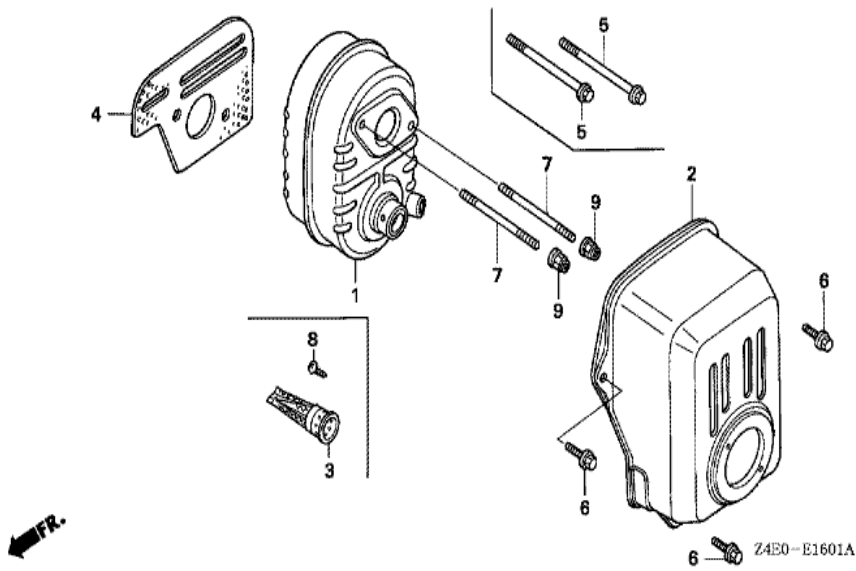
|              |                  |
|--------------|------------------|
| GX100U(KRSU) | E-15 AIR CLEANER |
|--------------|------------------|



| <u>Ref</u> | <u>Partnumber</u> | <u>Description</u>               | <u>GX100U</u> | <u>Serial Numbers</u> |
|------------|-------------------|----------------------------------|---------------|-----------------------|
| 001        | 17211-ZL8-023     | ELEMENT, AIR CLEANER (TOYO ROKI) | 1             |                       |
| 002        | 17218-Z0D-000     | FILTER, OUTER                    | 1             |                       |
| 003        | 17220-Z0D-V20     | CASE COMP., AIR CLEANER          | 1             |                       |
| 003        | 17220-Z0D-V20     | CASE COMP., AIR CLEANER          | 1             |                       |
| 005        | 17228-Z0D-V21     | PACKING, AIR CLEANER             | 1             |                       |
| 006        | 17231-Z0D-010     | COVER, AIR CLEANER               | 1             | 1188574               |
| 006        | 17231-Z0D-010     | COVER, AIR CLEANER               | 1             |                       |
| 008        | 90011-Z0D-000     | BOLT, AIR CLEANER COVER          | 2             |                       |
| 009        | 90041-Z0D-V20     | BOLT, STUD                       | 1             |                       |
| 009        | 90041-Z0D-V20     | BOLT, STUD                       | 1             |                       |
| 010        | 90042-Z0D-V20     | BOLT, STUD, 5X75 (CT200)         | 2             |                       |
| 010        | 90042-Z0D-V20     | BOLT, STUD, 5X75 (CT200)         | 2             |                       |
| 011        | 94050-05000       | NUT, FLANGE, 5MM                 | 2             |                       |
| <u>Ref</u> | <u>Partnumber</u> | <u>Description</u>               | <u>GX100U</u> | <u>Serial Numbers</u> |
| 012        | 94050-06000       | NUT, FLANGE, 6MM                 | 1             |                       |

GX100U(KRSU)

E-16-1 MUFFLER (2)



| Ref | Partnumber    | Description                | GX100U | Serial Numbers |
|-----|---------------|----------------------------|--------|----------------|
| 001 | 18310-Z0D-V20 | MUFFLER COMP.              | 1      |                |
| 001 | 18310-Z0D-V20 | MUFFLER COMP.              | 1      |                |
| 002 | 18321-Z0D-V22 | PROTECTOR, MUFFLER         | 1      | 1188241        |
| 002 | 18321-Z0D-V22 | PROTECTOR, MUFFLER         | 1      |                |
| 003 | 18350-ZL8-000 | ARRESTER COMP., SPARK      | (1)    |                |
| 004 | 18381-Z0D-000 | GASKET, MUFFLER            | 1      |                |
| 006 | 90014-952-000 | BOLT, FLANGE, 6X14 (CT200) | 3      |                |
| 007 | 90048-Z0D-V00 | BOLT, STUD, 6X78 (CT200)   | 2      |                |
| 007 | 90048-Z0D-V00 | BOLT, STUD, 6X78 (CT200)   | 2      |                |
| 008 | 90055-ZE1-000 | SCREW, TAPPING, 4X6        | (1)    |                |
| 009 | 90343-ZE6-000 | NUT, SELF-LOCK, 6MM        | 2      |                |

GX100U(KRSU)

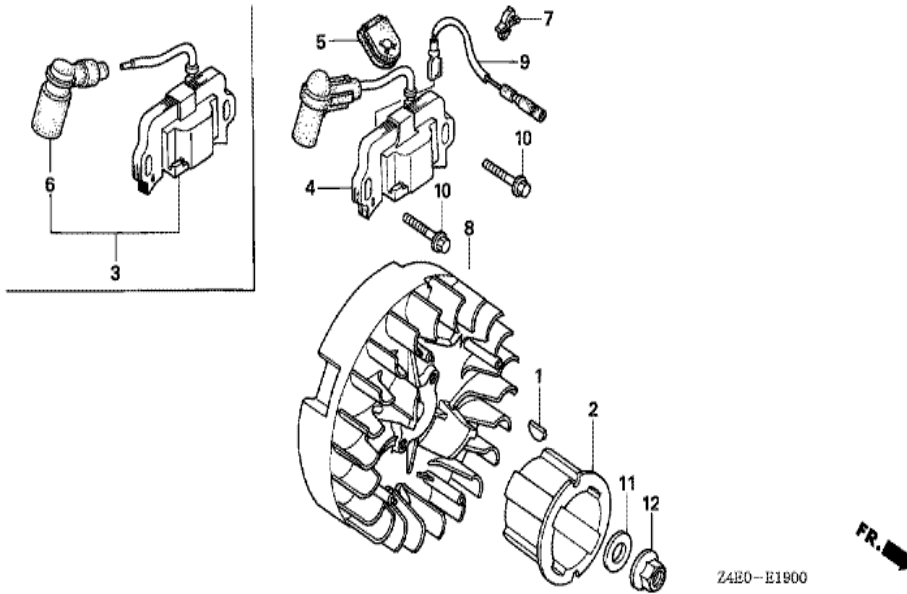
E-17 FUEL TANK



| <u>Ref</u> | <u>Partnumber</u> | <u>Description</u>                    | <u>GX100U</u> | <u>Serial Numbers</u> |
|------------|-------------------|---------------------------------------|---------------|-----------------------|
| 001        | 16910-GB2-005     | STRAINER COMP., FUEL                  | 1             | 1355193               |
| 001        | 16910-Z4E-S21     | STRAINER COMP., FUEL                  | 1             | 1355194               |
| 019        | 91434-Z4E-891     | HOSE, FUEL, 4.5X310 (FKM)             | 1             | 1196388 1355193       |
| 019        | 91434-Z4E-892     | HOSE, FUEL, 4.2X310 (FKM)             | 1             | 1355194               |
| 019        | 95001-4531050     | HOSE, FUEL, 4.5X310 (95001-45001-50M) | 1             | 1045304               |
| 019        | 95001-4531050     | HOSE, FUEL, 4.5X310 (95001-45001-50M) | 1             | 1196387               |
| 023        | 90602-MT7-003     | CLAMPER, TUBE (D9.4)                  | 1             | 1355194               |
| 023        | 95002-4085008     | CLAMP, TUBE (D8.5)                    | 1             | 1355193               |

GX100U(KRSU)

E-19 FLYWHEEL/IGNITION COIL

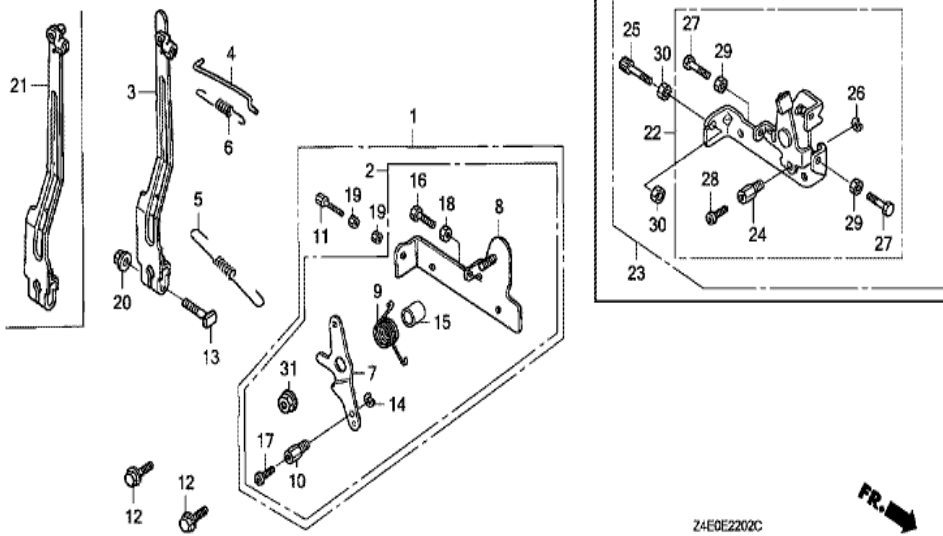


| Ref | Partnumber    | Description                   | GX100U | Serial Numbers |
|-----|---------------|-------------------------------|--------|----------------|
| 001 | 13331-ZM7-000 | KEY, SPECIAL                  | 1      |                |
| 002 | 28451-Z0D-V03 | PULLEY, STARTER               | 1      |                |
| 003 | 30500-Z0D-V02 | COIL ASSY., IGNITION          | 1      |                |
| 005 | 30564-ZA5-000 | GROMMET, CORD                 | 1      |                |
| 006 | 30700-Z0D-V01 | TERMINAL ASSY., HIGH TENSION  | 1      |                |
| 007 | 30701-883-000 | CLIP, HIGH TENSION CORD (8MM) | 1      |                |
| 008 | 31110-Z0D-003 | FLYWHEEL COMP.                | 1      |                |
| 009 | 32195-Z0D-000 | CORD, STOP SWITCH             | 1      |                |
| 010 | 90022-888-010 | BOLT, FLANGE, 6X20 (CT200)    | 2      |                |
| 012 | 94050-12000   | NUT, FLANGE, 12MM             | 1      |                |



GX100U(KRSU)

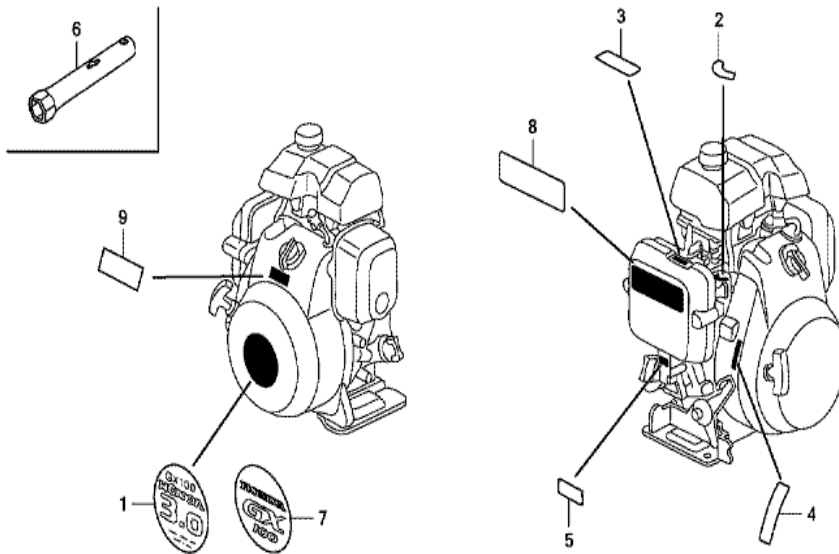
E-22-2 CONTROL (3)



| <u>Ref</u> | <u>Partnumber</u> | <u>Description</u>         | <u>GX100U</u> | <u>Serial Numbers</u> |
|------------|-------------------|----------------------------|---------------|-----------------------|
| 002        | 16500-Z0D-V80     | CONTROL ASSY.              | 1             | 1045304               |
| 002        | 16500-Z0D-V80     | CONTROL ASSY.              | 1             |                       |
| 004        | 16555-Z0D-V20     | ROD, GOVERNOR              | 1             |                       |
| 004        | 16555-Z0D-V20     | ROD, GOVERNOR              | 1             |                       |
| 005        | 16561-Z0D-V20     | SPRING, GOVERNOR           | 1             |                       |
| 005        | 16561-Z0D-V20     | SPRING, GOVERNOR           | 1             |                       |
| 006        | 16562-Z0D-V20     | SPRING, THROTTLE RETURN    | 1             |                       |
| 006        | 16562-Z0D-V20     | SPRING, THROTTLE RETURN    | 1             |                       |
| 007        | 16571-ZG0-810     | LEVER, CONTROL (REMOTE)    | 1             |                       |
| 008        | 16581-Z0D-V80     | BASE, CONTROL              | 1             | 1045304               |
| 008        | 16581-Z0D-V80     | BASE, CONTROL              | 1             |                       |
| 009        | 16592-896-610     | SPRING, RETURN             | 1             | 1045304               |
| 009        | 16592-896-610     | SPRING, RETURN             | 1             |                       |
| <u>Ref</u> | <u>Partnumber</u> | <u>Description</u>         | <u>GX100U</u> | <u>Serial Numbers</u> |
| 010        | 16594-883-010     | HOLDER, WIRE               | 1             |                       |
| 012        | 90014-952-000     | BOLT, FLANGE, 6X14 (CT200) | 2             |                       |
| 013        | 90015-ZE5-010     | BOLT, GOVERNOR ARM         | 1             |                       |
| 014        | 90605-230-000     | CIRCLIP, 5MM               | 1             |                       |
| 015        | 91552-ZG0-810     | COLLAR, CONTROL LEVER      | 1             |                       |
| 016        | 92301-050200A     | BOLT, RECESSED, 5X20       | 1             |                       |
| 017        | 93500-040060H     | SCREW, PAN, 4X6            | 1             |                       |
| 018        | 94001-05000       | NUT, HEX., 5MM             | 1             |                       |
| 020        | 94050-06000       | NUT, FLANGE, 6MM           | 1             |                       |
| 020        | 94050-06000       | NUT, FLANGE, 6MM           | 1             |                       |
| 021        | 16550-Z0D-V21     | ARM COMP., GOVERNOR        | 1             |                       |
| 031        | 94050-06000       | NUT, FLANGE, 6MM           | 1             |                       |

GX100U(KRSU)

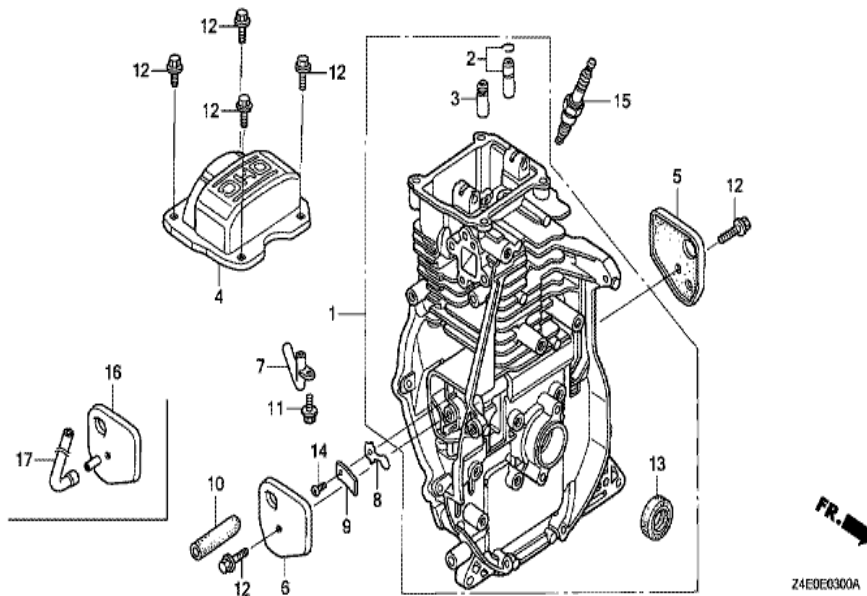
E-28 LABEL/TOOL



Z4E0E2800C

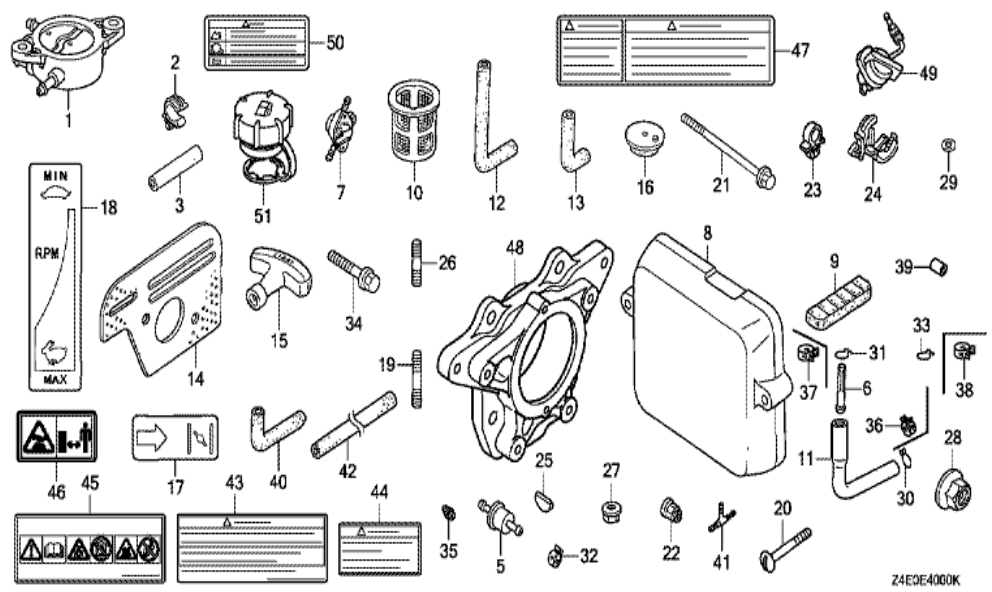
| Ref | Partnumber    | Description                      | GX100U | Serial Numbers |
|-----|---------------|----------------------------------|--------|----------------|
| 003 | 87528-ZOD-000 | MARK, CHOKE INDICATION           | 1      |                |
| 005 | 87601-Z4E-W10 | MARK, TYPE (KRSU)                | 1      |                |
| 005 | 87601-Z4E-W10 | MARK, TYPE (KRSU)                | 1      |                |
| 006 | 89216-130-690 | WRENCH, SPARK PLUG               | 1      |                |
| 007 | 87521-ZOD-V02 | EMBLEM (RAMMA) (GX100)           | 1      | 1066474        |
| 007 | 87521-ZOD-V02 | EMBLEM (RAMMA) (GX100)           | 1      |                |
| 008 | 87516-ZOJ-000 | MARK, OPERATOR CAUTION (ENGLISH) | 1      |                |
| 009 | 87539-ZOJ-000 | MARK, EX. CAUTION (ENGLISH)      | 1      |                |

|              |                     |
|--------------|---------------------|
| GX100U(KRSU) | E-3 CYLINDER BARREL |
|--------------|---------------------|



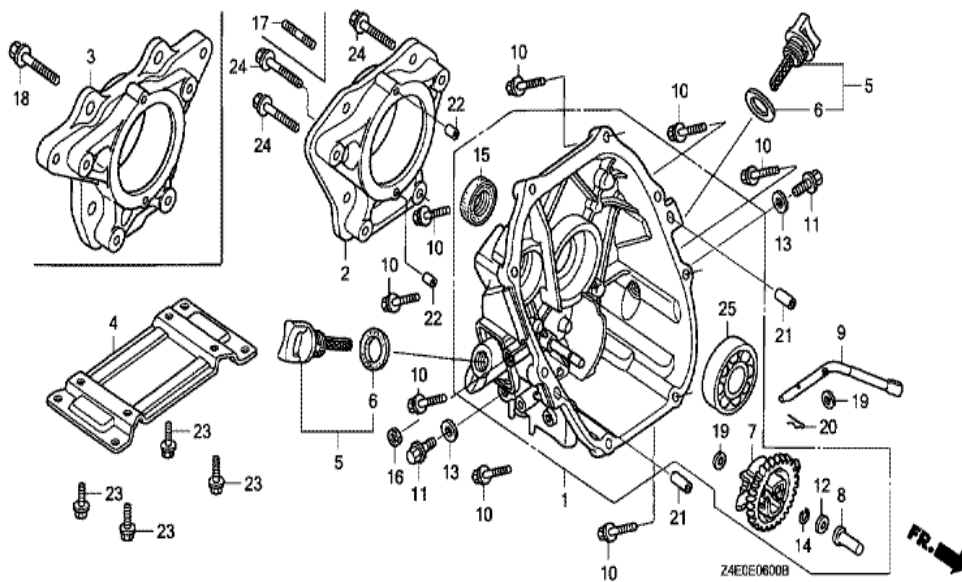
| <u>Ref</u> | <u>Partnumber</u> | <u>Description</u>            | <u>GX100U</u> | <u>Serial Numbers</u> |
|------------|-------------------|-------------------------------|---------------|-----------------------|
| 001        | 12000-Z0D-405     | BARREL ASSY., CYLINDER        | 1             |                       |
| 002        | 12201-Z0D-305     | GUIDE ASSY., EX. VALVE (O.S.) | 1             |                       |
| 003        | 12204-Z0D-305     | GUIDE, IN. VALVE (O.S.)       | 1             |                       |
| 004        | 12311-Z0D-000     | COVER, HEAD                   | 1             |                       |
| 005        | 12355-Z0D-000     | COVER COMP. A, BREATHER       | 1             |                       |
| 006        | 12365-Z0D-000     | COVER COMP. B, BREATHER       | 1             |                       |
| 007        | 15171-Z0D-V00     | PIPE, BREATHER                | 1             |                       |
| 008        | 15571-ZM7-003     | VALVE, OIL OUTLET             | 1             |                       |
| 008        | 15571-ZM7-003     | VALVE, OIL OUTLET             | 1             |                       |
| 009        | 15572-ZM7-000     | PLATE, STOPPER                | 1             |                       |
| 010        | 15721-Z0D-000     | TUBE, BREATHER                | 1             |                       |
| 011        | 90008-ZM7-000     | BOLT, 4X10                    | 1             |                       |
| 012        | 90014-952-000     | BOLT, FLANGE, 6X14 (CT200)    | 6             |                       |
| <u>Ref</u> | <u>Partnumber</u> | <u>Description</u>            | <u>GX100U</u> | <u>Serial Numbers</u> |
| 013        | 91202-KJ9-003     | OIL SEAL, 20X32X6             | 1             |                       |
| 014        | 93500-030050A     | SCREW, PAN, 3X5               | 1             |                       |
| 015        | 98056-55757       | PLUG, SPARK (U16FSR-UB)       | 1             |                       |
| 015        | 98056-55757       | PLUG, SPARK (U16FSR-UB)       | 1             |                       |
| 015        | 98056-55777       | PLUG, SPARK (CR5HSB)          | 1             |                       |
| 015        | 98056-55777       | PLUG, SPARK (CR5HSB)          | 1             |                       |

|              |                  |
|--------------|------------------|
| GX100U(KRSU) | E-40 OTHER PARTS |
|--------------|------------------|



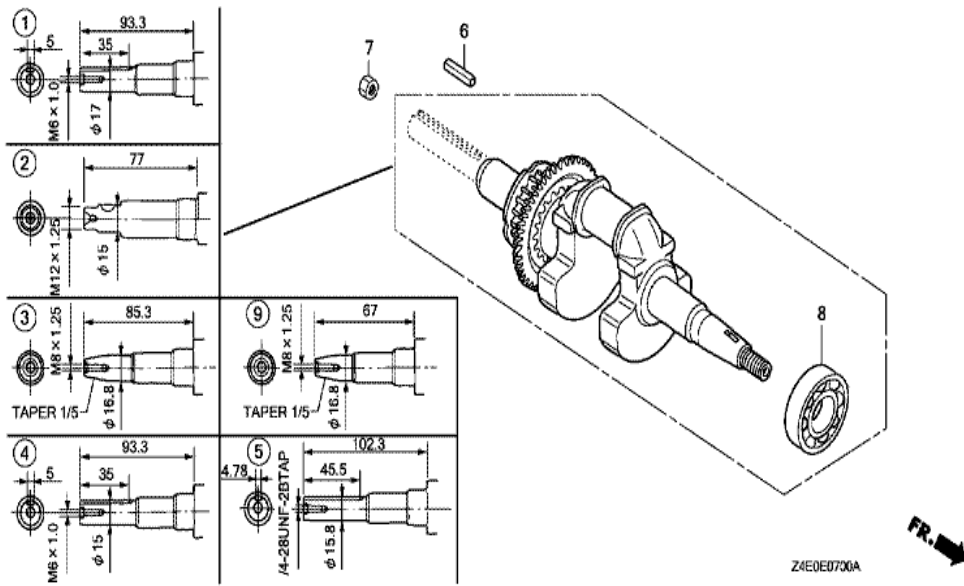
| Ref | Partnumber    | Description                     | GX100U | Serial Numbers |
|-----|---------------|---------------------------------|--------|----------------|
| 019 | 90001-ZK7-V00 | BOLT, STUD, 10X32               | 4      |                |
| 027 | 94050-10000   | NUT, FLANGE, 10MM               | 4      |                |
| 032 | 95002-4085008 | CLAMP, TUBE (D8.5)              | 1      |                |
| 035 | 99101-Z4E0560 | JET (#56)                       | (1)    |                |
| 043 | 87516-ZOJ-800 | MARK, OPERATOR CAUTION (FRENCH) | 1      | 1189916        |
| 043 | 87516-ZOJ-800 | MARK, OPERATOR CAUTION (FRENCH) | 1      |                |
| 043 | 87516-ZOJ-800 | MARK, OPERATOR CAUTION (FRENCH) | 1      |                |
| 044 | 87539-ZOJ-810 | MARK, EX. CAUTION (FRENCH)      | 1      |                |
| 044 | 87539-ZOJ-810 | MARK, EX. CAUTION (FRENCH)      | 1      |                |
| 045 | 87519-ZOJ-000 | MARK, OPERATOR CAUTION          | 1      |                |
| 046 | 87539-ZOJ-800 | MARK, EX. CAUTION (PICTOGRAPH)  | 1      |                |

|              |                     |
|--------------|---------------------|
| GX100U(KRSU) | E-6 CRANKCASE COVER |
|--------------|---------------------|



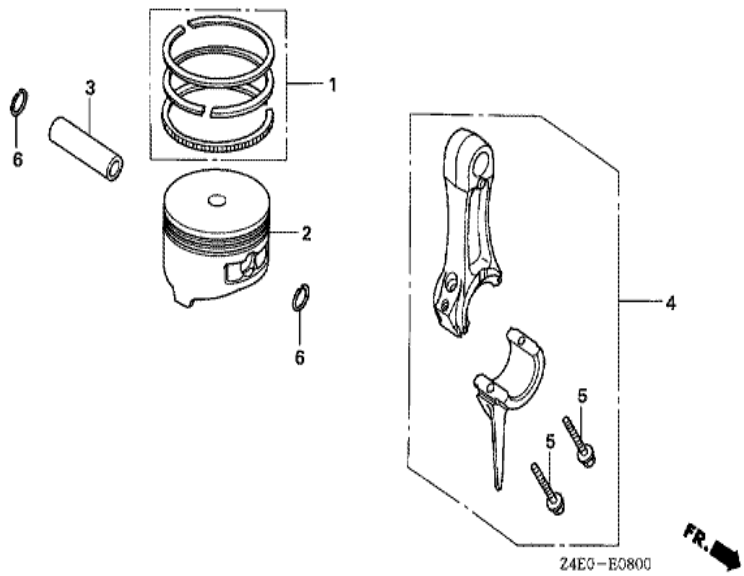
| <u>Ref</u> | <u>Partnumber</u> | <u>Description</u>         | <u>GX100U</u> | <u>Serial Numbers</u> |
|------------|-------------------|----------------------------|---------------|-----------------------|
| 001        | 11300-Z0D-409     | COVER ASSY., CRANKCASE     | 1             |                       |
| 001        | 11300-Z0D-409     | COVER ASSY., CRANKCASE     | 1             |                       |
| 003        | 11511-Z0D-V10     | FLANGE, P.T.O.             | 1             |                       |
| 005        | 15600-ZM7-003     | CAP ASSY., OIL FILLER      | 1             |                       |
| 005        | 15600-ZM7-003     | CAP ASSY., OIL FILLER      | 1             |                       |
| 006        | 15625-ZE1-003     | PACKING, OIL FILLER CAP    | 1             |                       |
| 007        | 16510-ZL8-000     | GOVERNOR ASSY.             | 1             |                       |
| 007        | 16510-ZL8-000     | GOVERNOR ASSY.             | 1             |                       |
| 008        | 16531-ZE1-000     | SLIDER, GOVERNOR           | 1             |                       |
| 009        | 16541-Z0D-000     | SHAFT, GOVERNOR ARM        | 1             |                       |
| 010        | 90121-952-000     | BOLT, FLANGE, 6X25 (CT200) | 8             |                       |
| 011        | 90131-ZE1-000     | BOLT, DRAIN PLUG           | 1             |                       |
| 012        | 90451-ZE1-000     | WASHER, THRUST, 6MM        | 1             |                       |
| <u>Ref</u> | <u>Partnumber</u> | <u>Description</u>         | <u>GX100U</u> | <u>Serial Numbers</u> |
| 013        | 90601-ZE1-000     | WASHER, DRAIN PLUG, 10.2MM | 1             |                       |
| 014        | 90602-ZE1-000     | CLIP, GOVERNOR HOLDER      | 1             |                       |
| 015        | 91202-KJ9-003     | OIL SEAL, 20X32X6          | 1             |                       |
| 016        | 91231-891-003     | OIL SEAL, 6X11X4 (ARAI)    | 1             |                       |
| 019        | 94101-06800       | WASHER, PLAIN, 6MM         | 2             |                       |
| 020        | 94251-08000       | PIN, LOCK, 8MM             | 1             |                       |
| 021        | 94301-08200       | DOWEL PIN, 8X20            | 2             |                       |
| 022        | 94303-06100       | DOWEL PIN, 6X10            | 2             |                       |
| 024        | 95701-0804500     | BOLT, FLANGE, 8X45         | 4             |                       |
| 024        | 95701-0804500     | BOLT, FLANGE, 8X45         | 4             |                       |
| 025        | 96100-6204000     | BEARING, RADIAL BALL, 6204 | 1             |                       |

|              |                |
|--------------|----------------|
| GX100U(KRSU) | E-7 CRANKSHAFT |
|--------------|----------------|



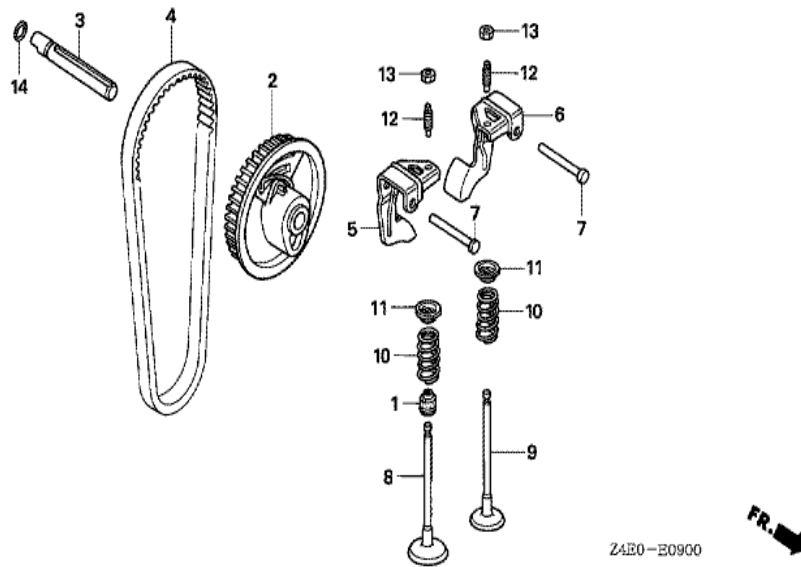
| Ref | Partnumber    | Description                 | GX100U | Serial Numbers |
|-----|---------------|-----------------------------|--------|----------------|
| 002 | 13310-Z0D-V00 | CRANKSHAFT COMP.            | 1      |                |
| 008 | 91001-Z0D-V01 | BEARING, RADIAL BALL, 6204C | 1      |                |

|              |                           |
|--------------|---------------------------|
| GX100U(KRSU) | E-8 PISTON/CONNECTING ROD |
|--------------|---------------------------|



| Ref | Partnumber    | Description                        | GX100U | Serial Numbers |
|-----|---------------|------------------------------------|--------|----------------|
| 001 | 13010-ZOD-003 | RING SET, PISTON                   | 1      |                |
| 002 | 13101-ZOD-000 | PISTON                             | 1      |                |
| 003 | 13111-ZE0-000 | PIN, PISTON                        | 1      |                |
| 004 | 13200-ZOD-000 | ROD ASSY., CONNECTING              | 1      |                |
| 004 | 13200-ZOD-305 | ROD ASSY., CONNECTING (UNDER SIZE) | (1)    |                |
| 004 | 13200-ZOD-305 | ROD ASSY., CONNECTING (UNDER SIZE) | (1)    |                |
| 005 | 90001-ZM7-000 | BOLT, CONNECTING ROD               | 2      |                |
| 006 | 90551-ZE0-000 | CLIP, PISTON PIN, 13MM             | 2      |                |

|              |                     |
|--------------|---------------------|
| GX100U(KRSU) | E-9 CAMSHAFT PULLEY |
|--------------|---------------------|



Z4E0-E0900

| <u>Ref</u> | <u>Partnumber</u> | <u>Description</u>         | <u>GX100U</u> | <u>Serial Numbers</u> |
|------------|-------------------|----------------------------|---------------|-----------------------|
| 001        | 12209-KT7-013     | SEAL, VALVE STEM           | 1             |                       |
| 002        | 14320-Z0D-010     | PULLEY COMP., CAMSHAFT     | 1             |                       |
| 003        | 14324-Z0D-000     | SHAFT, CAM PULLEY          | 1             |                       |
| 004        | 14400-Z0D-003     | BELT, TIMING (61YU7 G-200) | 1             |                       |
| 005        | 14431-Z0D-000     | ARM, IN. VALVE ROCKER      | 1             |                       |
| 006        | 14441-Z0D-000     | ARM, EX. VALVE ROCKER      | 1             |                       |
| 007        | 14461-ZL8-000     | SHAFT, ROCKER ARM          | 2             |                       |
| 008        | 14711-Z0D-000     | VALVE, IN.                 | 1             |                       |
| 009        | 14721-Z0D-000     | VALVE, EX.                 | 1             |                       |
| 010        | 14751-Z0D-000     | SPRING, VALVE              | 2             |                       |
| 011        | 14771-ZM3-010     | RETAINER, VALVE SPRING     | 2             |                       |
| 012        | 90012-333-000     | SCREW, TAPPET ADJUSTING    | 2             |                       |
| 013        | 90206-001-000     | NUT, TAPPET ADJUSTING      | 2             |                       |
| <u>Ref</u> | <u>Partnumber</u> | <u>Description</u>         | <u>GX100U</u> | <u>Serial Numbers</u> |
| 014        | 91301-ZM0-V31     | O-RING, 6.8X1.9 (ARAI)     | 1             |                       |