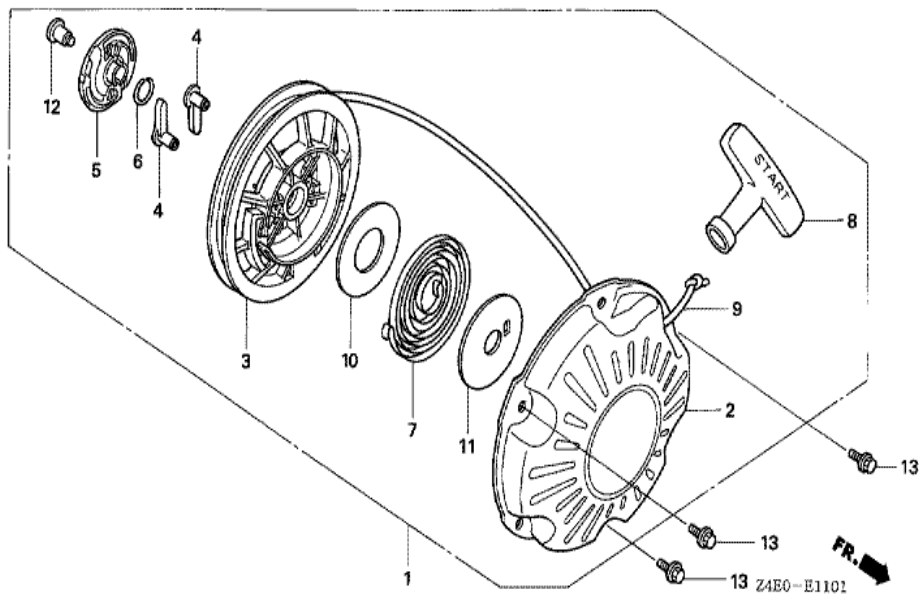
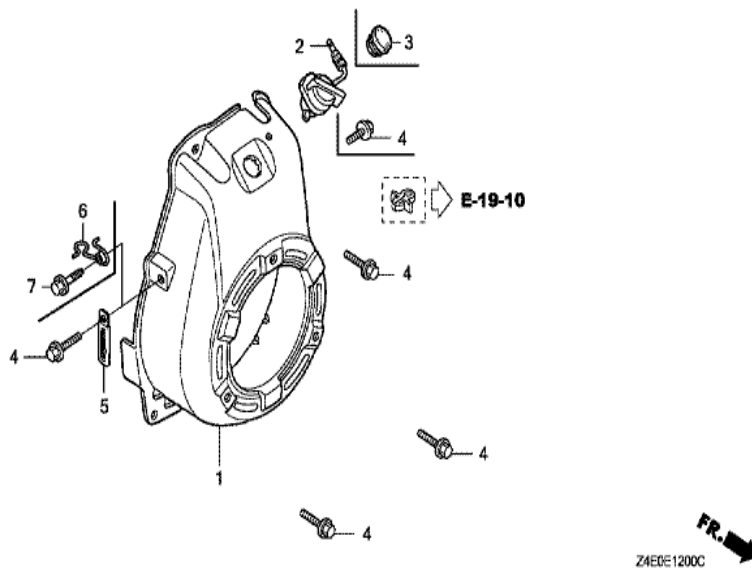


| | |
|--------------|---------------------------|
| GX100U(KRBM) | E-11-1 RECOIL STARTER (2) |
|--------------|---------------------------|



| Ref | Partnumber | Description | GX100U | Serial Numbers |
|-----|-----------------|------------------------------------|--------|-----------------|
| 001 | 28400-Z0D-V02ZA | STARTER ASSY., RECOIL *NH1 * | 1 | 1019282 |
| 001 | 28400-Z0D-V03ZA | STARTER ASSY., RECOIL *NH1 * | 1 | 1019283 1188240 |
| 001 | 28400-Z0D-V03ZA | STARTER ASSY., RECOIL *NH1 * | 1 | 1019283 1188240 |
| 001 | 28400-Z0D-V03ZC | STARTER ASSY., RECOIL *R280 * | 1 | 1153070 1188240 |
| 001 | 28400-Z0D-V03ZC | STARTER ASSY., RECOIL *R280 * | 1 | 1188240 |
| 001 | 28400-Z0D-V04ZA | STARTER ASSY., RECOIL *NH1* | 1 | 1188241 |
| 001 | 28400-Z0D-V04ZA | STARTER ASSY., RECOIL *NH1* | 1 | 1188241 |
| 001 | 28400-Z0D-V04ZC | STARTER ASSY., RECOIL *R280* | 1 | 1188241 |
| 001 | 28400-Z0D-V04ZC | STARTER ASSY., RECOIL *R280* | 1 | 1188241 |
| 002 | 28410-Z0D-V02ZA | CASE COMP., RECOIL STARTER *NH1* | 1 | |
| 002 | 28410-Z0D-V02ZC | CASE COMP., RECOIL STARTER *R280 * | 1 | |
| 002 | 28410-Z0D-V02ZC | CASE COMP., RECOIL STARTER *R280 * | 1 | |
| 003 | 28421-Z0D-V02 | REEL, RECOIL STARTER | 1 | |
| Ref | Partnumber | Description | GX100U | Serial Numbers |
| 004 | 28422-ZG0-W02 | RATCHET, STARTER | 2 | |
| 005 | 28433-ZG0-W02 | GUIDE, RATCHET | 1 | |
| 006 | 28441-ZW6-003 | SPRING, FRICTION | 1 | |
| 007 | 28442-ZH8-003 | SPRING, RECOIL STARTER | 1 | |
| 008 | 28461-ZH8-003 | GRIP, STARTER | 1 | |
| 008 | 28461-ZH8-003 | GRIP, STARTER | 1 | 1188240 |
| 008 | 28461-ZH8-013 | KNOB, RECOIL STARTER | 1 | 1188241 |
| 008 | 28461-ZH8-013 | KNOB, RECOIL STARTER | 1 | 1188241 |
| 009 | 28462-Z0D-V02 | ROPE, RECOIL STARTER | 1 | 1019282 |
| 009 | 28462-Z0D-V03 | ROPE, RECOIL STARTER | 1 | |
| 009 | 28462-Z0D-V03 | ROPE, RECOIL STARTER | 1 | 1019283 |
| 010 | 28467-Z0D-V02 | PLATE, SIDE | 1 | |
| 011 | 28468-Z0D-V02 | PLATE, SLIDE | 1 | |
| 012 | 90003-ZH8-003 | SCREW, SETTING | 1 | |
| 013 | 95701-0600800 | BOLT, FLANGE, 6X8 | 3 | |

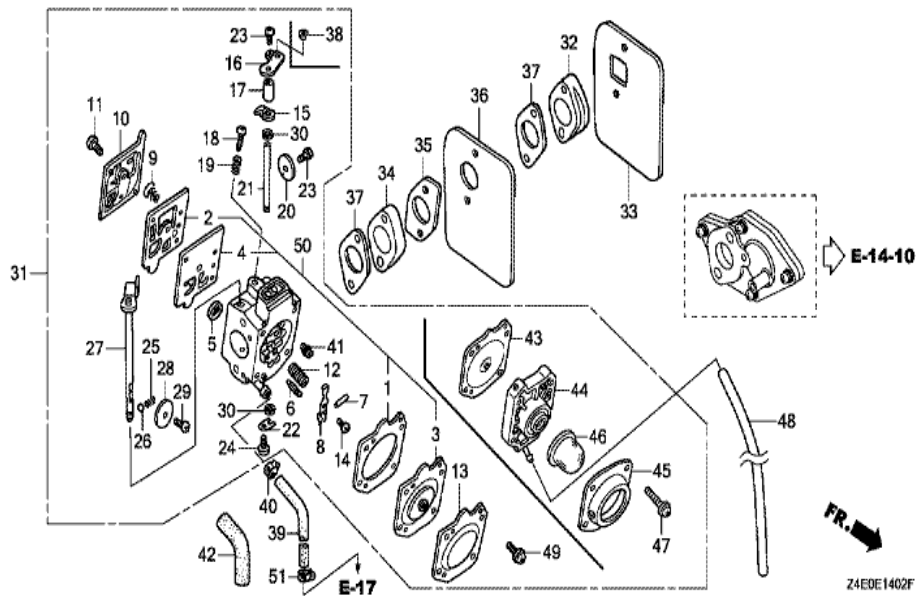
| | |
|--------------|----------------|
| GX100U(KRBM) | E-12 FAN COVER |
|--------------|----------------|



| Ref | Partnumber | Description | GX100U | Serial Numbers |
|-----|-----------------|----------------------------|--------|----------------|
| 001 | 19610-Z0D-V00ZB | COVER COMP., FAN *NH1 * | 1 | |
| 001 | 19610-Z0D-V00ZB | COVER COMP., FAN *NH1 * | 1 | |
| 001 | 19610-Z0D-V00ZC | COVER COMP., FAN *R280 * | 1 | |
| 001 | 19610-Z0D-V00ZC | COVER COMP., FAN *R280 * | 1 | |
| 002 | 35120-Z0D-V81 | SWITCH ASSY., ENGINE STOP | 1 | |
| 004 | 90014-952-000 | BOLT, FLANGE, 6X14 (CT200) | 3 | |
| 004 | 90014-952-000 | BOLT, FLANGE, 6X14 (CT200) | 4 | |

GX100U(KRBM)

E-14-2 CARBURETOR (RAMMER FLOATLESS)

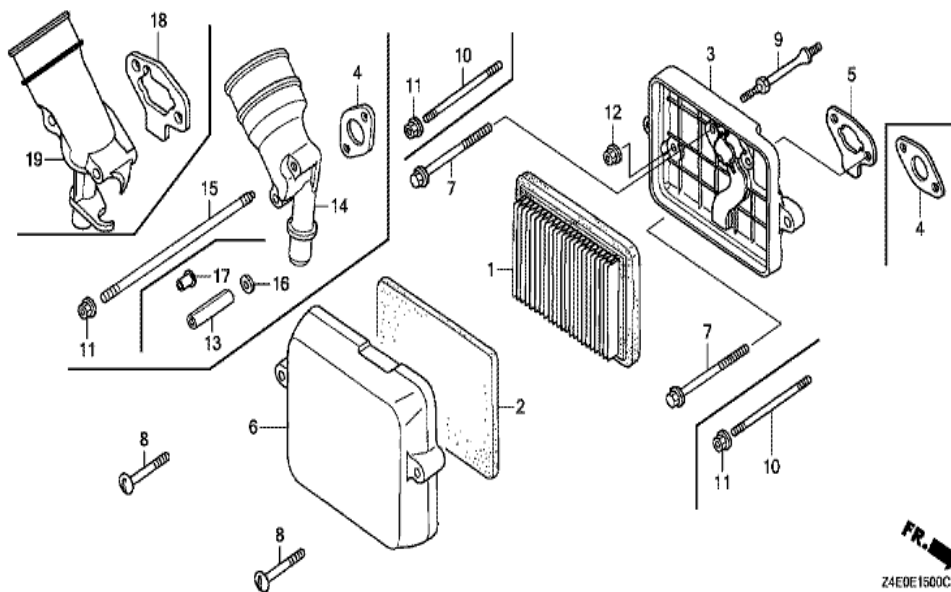


| Ref | Partnumber | Description | GX100U | Serial Numbers |
|-----|---------------|----------------------------|--------|----------------|
| 001 | 16010-Z0D-V02 | GASKET, METERING DIAPHRAGM | 1 | |
| 002 | 16011-Z0D-V02 | GASKET, PUMP | 1 | |
| 003 | 16013-Z0D-V02 | DIAPHRAGM ASSY., METERING | 1 | |
| 004 | 16014-Z0D-V02 | DIAPHRAGM, PUMP | 1 | |
| 005 | 16018-ZM3-004 | SCREEN, INLET | 1 | |
| 006 | 16019-ZM3-004 | VALVE, INLET NEEDLE | 1 | |
| 007 | 16022-ZM3-014 | PIN, METERING LEVER | 1 | |
| 008 | 16023-Z0D-V02 | LEVER, METERING | 1 | |
| 009 | 16030-ZM3-004 | SPRING, PUMP | 1 | |
| 010 | 16040-Z0D-V02 | COVER, PUMP | 1 | |
| 010 | 16040-Z0D-V02 | COVER, PUMP | 1 | HDA234B |
| 010 | 16040-Z4E-802 | COVER, PUMP | 1 | HDA206D |
| 010 | 16040-Z4E-802 | COVER, PUMP | 1 | HDA234C |

| <u>Ref</u> | <u>Partnumber</u> | <u>Description</u> | <u>GX100U</u> | <u>Serial Numbers</u> | |
|------------|-------------------|---------------------------|---------------|-----------------------|---------|
| 011 | 16041-Z0D-V02 | SCREW | 1 | | |
| 012 | 16042-Z0D-V02 | SPRING | 1 | | |
| 012 | 16042-Z0D-V02 | SPRING | 1 | | HDA201D |
| 012 | 16042-Z4E-V92 | SPRING | 1 | HDA234A | HDA234B |
| 012 | 16042-Z4E-V92 | SPRING | 1 | HDA 234 | |
| 013 | 16043-Z0D-V02 | COVER, METERING DIAPHRAGM | 1 | | |
| 014 | 16044-Z0D-V02 | SCREW | 1 | | |
| 014 | 16044-Z0D-V02 | SCREW | 1 | | HDA234B |
| 014 | 16044-Z4E-802 | SCREW | 1 | HDA235B | |
| 014 | 16044-Z4E-802 | SCREW | 1 | HDA234C | |
| 015 | 16045-Z0D-V02 | STOPPER, THROTTLE LEVER | 1 | | |
| 016 | 16046-Z0D-V02 | LEVER, THROTTLE | 1 | | HDA201C |
| 016 | 16046-Z0D-V03 | LEVER, THROTTLE | 1 | | |
| 016 | 16046-Z0D-V03 | LEVER, THROTTLE | 1 | HDA201D | HDA201D |
| 016 | 16046-Z0D-V73 | LEVER, THROTTLE | 1 | | |
| 016 | 16046-Z0D-V73 | LEVER, THROTTLE | 1 | HDA 234 | |
| 017 | 16048-Z0D-V02 | SPACER, THROTTLE LEVER | 1 | | |
| 018 | 16049-Z0D-V02 | SCREW, IDLE ADJUSTING | 1 | | |
| 018 | 16049-Z0D-V02 | SCREW, IDLE ADJUSTING | 1 | | HDA 234 |
| 018 | 16049-Z4E-S12 | SCREW, IDLE ADJUSTING | 1 | HDA234A | HDA234B |
| 018 | 16049-Z4E-S12 | SCREW, IDLE ADJUSTING | 1 | HDA234A | |
| 019 | 16050-Z0D-V02 | SPRING | 1 | | |
| 020 | 16051-Z0D-V02 | VALVE, THROTTLE | 1 | | |
| 021 | 16052-Z0D-V02 | SHAFT, THROTTLE | 1 | | |
| 022 | 16053-Z0D-V02 | CLIP, THROTTLE SHAFT | 1 | | |
| 023 | 16054-Z0D-V02 | SCREW, VALVE | 2 | | |
| 024 | 16055-Z0D-V02 | SCREW ASSY. | 1 | | |
| 025 | 16056-Z0D-V02 | SPRING | 1 | | |
| 026 | 16057-Z0D-V02 | BALL | 1 | | |
| 027 | 16058-Z0D-V02 | SHAFT ASSY., CHOKE | 1 | | |
| 027 | 16058-Z0D-V02 | SHAFT ASSY., CHOKE | 1 | | HDA201D |
| 027 | 16058-Z0D-V72 | SHAFT ASSY., CHOKE | 1 | HDA234A | HDA234B |
| 027 | 16058-Z0D-V72 | SHAFT ASSY., CHOKE | 1 | HDA 234 | |

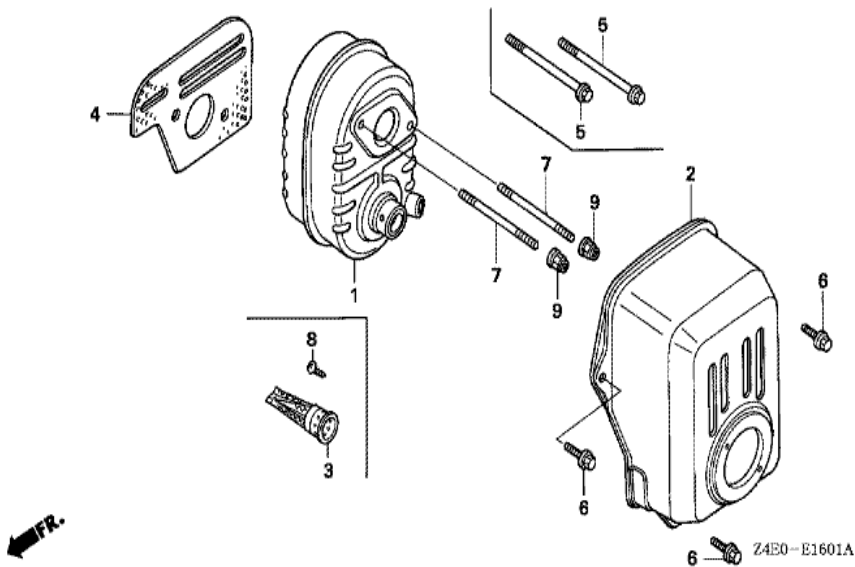
| <u>Ref</u> | <u>Partnumber</u> | <u>Description</u> | <u>GX100U</u> | <u>Serial Numbers</u> |
|------------|-------------------|--|---------------|-----------------------|
| 028 | 16059-Z0D-V03 | VALVE, CHOKE | 1 | |
| 029 | 16060-Z0D-V02 | SCREW | 1 | |
| 030 | 16061-Z0D-V02 | SEAL, DUST | 2 | |
| 031 | 16100-Z0D-V04 | CARBURETOR ASSY. (HDA 201C) | 1 | 1006328 |
| 031 | 16100-Z0D-V05 | CARBURETOR ASSY. (HDA 201D) | 1 | 1037364 |
| 031 | 16100-Z0D-V05 | CARBURETOR ASSY. (HDA 201D) | 1 | 1006329 1025213 |
| 031 | 16100-Z4E-S13 | CARBURETOR ASSY. (HDA 234A) | 1 | 1045305 1055285 |
| 031 | 16100-Z4E-S13 | CARBURETOR ASSY. (HDA 234A) | 1 | 1025214 1055285 |
| 031 | 16100-Z4E-S13 | CARBURETOR ASSY. (HDA 234A) | 1 | 1025214 1055285 |
| 031 | 16100-Z4E-S14 | CARBURETOR ASSY. (HDA 234B) | 1 | 1055286 1190130 |
| 031 | 16100-Z4E-S14 | CARBURETOR ASSY. (HDA 234B) | 1 | 1055286 1190130 |
| 031 | 16100-Z4E-S14 | CARBURETOR ASSY. (HDA 234B) | 1 | 1055286 1195352 |
| 031 | 16100-Z4E-S15 | CARBURETOR ASSY. (HDA 234C) | 1 | 1195353 |
| 031 | 16100-Z4E-S15 | CARBURETOR ASSY. (HDA 234C) | 1 | 1195353 1354174 |
| 031 | 16100-Z4E-S16 | CARBURETOR ASSY. (HDA 234C) | 1 | 1354175 |
| 032 | 16211-Z0D-V00 | INSULATOR, CARBURETOR | 1 | |
| 032 | 16211-Z0D-V00 | INSULATOR, CARBURETOR | 1 | 1184856 |
| 032 | 16211-Z0D-V01 | INSULATOR, CARBURETOR | 1 | 1184857 |
| 032 | 16211-Z0D-V01 | INSULATOR, CARBURETOR | 1 | 1184857 |
| 033 | 16212-Z0D-V00 | PACKING, INSULATOR | 1 | |
| 034 | 16213-Z0D-V00 | INSULATOR B, CARBURETOR | 1 | |
| 034 | 16213-Z0D-V00 | INSULATOR B, CARBURETOR | 1 | 1025213 |
| 034 | 16213-Z4E-S10 | INSULATOR B, CARBURETOR | 1 | 1045305 |
| 034 | 16213-Z4E-S10 | INSULATOR B, CARBURETOR | 1 | 1025214 |
| 035 | 16214-Z0D-V00 | PACKING B, INSULATOR | 1 | |
| 035 | 16214-Z0D-V00 | PACKING B, INSULATOR | 1 | 1184856 |
| 035 | 16214-Z0D-V01 | PACKING B, INSULATOR | 1 | 1184857 |
| 035 | 16214-Z0D-V01 | PACKING B, INSULATOR | 1 | 1184857 |
| 036 | 16215-Z0D-V00 | PLATE, INSULATOR | 1 | |
| 037 | 16221-Z0D-V00 | PACKING, CARBURETOR | 2 | |
| 038 | 16552-896-650 | COLLAR, LEVER | 1 | |
| 038 | 16552-896-650 | COLLAR, LEVER | 1 | HDA 234 |
| 039 | 91434-Z4E-871 | HOSE, FUEL, 4.5X270 (FKM) | 1 | 1195353 1364323 |
| <u>Ref</u> | <u>Partnumber</u> | <u>Description</u> | <u>GX100U</u> | <u>Serial Numbers</u> |
| 039 | 91434-Z4E-872 | HOSE, FUEL, 4.2X270 (FKM) | 1 | 1364324 |
| 039 | 95001-4527050 | HOSE, FUEL, 4.5X270 (95001-45001-50M) | 1 | |
| 039 | 95001-4527050 | HOSE, FUEL, 4.5X270 (95001-45001-50M) | 1 | 1195352 |
| 039 | 95001-4527050 | HOSE, FUEL, 4.5X270 (95001-45001-50M) | 1 | 1195352 |
| 040 | 95002-4085008 | CLAMP, TUBE (D8.5) | 1 | |
| 041 | 99101-Z0D0540 | JET (#54) | 1 | |
| 041 | 99101-Z0D0540 | JET (#54) | 1 | HDA201D |
| 042 | 95003-3602120 | TUBE, VINYL, 11X13X210 (95003-36001-10M) | 1 | |
| 049 | 16055-Z0D-V02 | SCREW ASSY. | 4 | |
| 051 | 90602-MT7-003 | CLAMPER, TUBE (D9.4) | 1 | 1364324 |
| 051 | 95002-4085008 | CLAMP, TUBE (D8.5) | 1 | 1364323 |

| | |
|--------------|------------------|
| GX100U(KRBM) | E-15 AIR CLEANER |
|--------------|------------------|



| <u>Ref</u> | <u>Partnumber</u> | <u>Description</u> | <u>GX100U</u> | <u>Serial Numbers</u> |
|------------|-------------------|----------------------------------|---------------|-----------------------|
| 001 | 17211-ZL8-013 | ELEMENT, AIR CLEANER | 1 | 1006015 |
| 001 | 17211-ZL8-023 | ELEMENT, AIR CLEANER (TOYO ROKI) | 1 | |
| 001 | 17211-ZL8-023 | ELEMENT, AIR CLEANER (TOYO ROKI) | 1 | 1006016 |
| 003 | 17220-ZOD-V00 | CASE COMP., AIR CLEANER | 1 | |
| 003 | 17220-ZOD-V00 | CASE COMP., AIR CLEANER | 1 | |
| 004 | 17228-ZOD-V01 | PACKING, AIR CLEANER | 1 | |
| 006 | 17231-ZOD-V61 | COVER, AIR CLEANER | 1 | 1188360 |
| 006 | 17231-ZOD-V61 | COVER, AIR CLEANER | 1 | 1188360 |
| 006 | 17231-ZOD-V62 | COVER, AIR CLEANER | 1 | |
| 006 | 17231-ZOD-V62 | COVER, AIR CLEANER | 1 | 1188361 |
| 008 | 90011-ZOD-000 | BOLT, AIR CLEANER COVER | 2 | |
| 009 | 90041-ZOD-V00 | BOLT, STUD | 1 | |
| 010 | 90042-ZOD-V00 | BOLT, STUD, 5X85 (CT200) | 2 | |
| <u>Ref</u> | <u>Partnumber</u> | <u>Description</u> | <u>GX100U</u> | <u>Serial Numbers</u> |
| 011 | 94050-05000 | NUT, FLANGE, 5MM | 2 | |
| 012 | 94050-06000 | NUT, FLANGE, 6MM | 1 | |

| | |
|--------------|--------------------|
| GX100U(KRBM) | E-16-1 MUFFLER (2) |
|--------------|--------------------|



| <u>Ref</u> | <u>Partnumber</u> | <u>Description</u> | <u>GX100U</u> | <u>Serial Numbers</u> |
|------------|-------------------|----------------------------|---------------|-----------------------|
| 001 | 18310-Z0D-V20 | MUFFLER COMP. | 1 | |
| 001 | 18310-Z0D-V20 | MUFFLER COMP. | 1 | |
| 002 | 18321-Z0D-V20 | PROTECTOR, MUFFLER | 1 | 1038538 |
| 002 | 18321-Z0D-V20 | PROTECTOR, MUFFLER | 1 | 1038538 |
| 002 | 18321-Z0D-V21 | PROTECTOR, MUFFLER | 1 | 1038539 1188240 |
| 002 | 18321-Z0D-V21 | PROTECTOR, MUFFLER | 1 | 1038539 1188240 |
| 002 | 18321-Z0D-V22 | PROTECTOR, MUFFLER | 1 | 1188241 |
| 002 | 18321-Z0D-V22 | PROTECTOR, MUFFLER | 1 | 1188241 |
| 003 | 18350-ZL8-000 | ARRESTER COMP., SPARK | (1) | |
| 004 | 18381-Z0D-000 | GASKET, MUFFLER | 1 | |
| 006 | 90014-952-000 | BOLT, FLANGE, 6X14 (CT200) | 3 | |
| 007 | 90048-Z0D-V00 | BOLT, STUD, 6X78 (CT200) | 2 | |
| 007 | 90048-Z0D-V00 | BOLT, STUD, 6X78 (CT200) | 2 | |
| <u>Ref</u> | <u>Partnumber</u> | <u>Description</u> | <u>GX100U</u> | <u>Serial Numbers</u> |
| 008 | 90055-ZE1-000 | SCREW, TAPPING, 4X6 | (1) | |
| 009 | 90343-ZE6-000 | NUT, SELF-LOCK, 6MM | 2 | |

GX100U(KRBM)

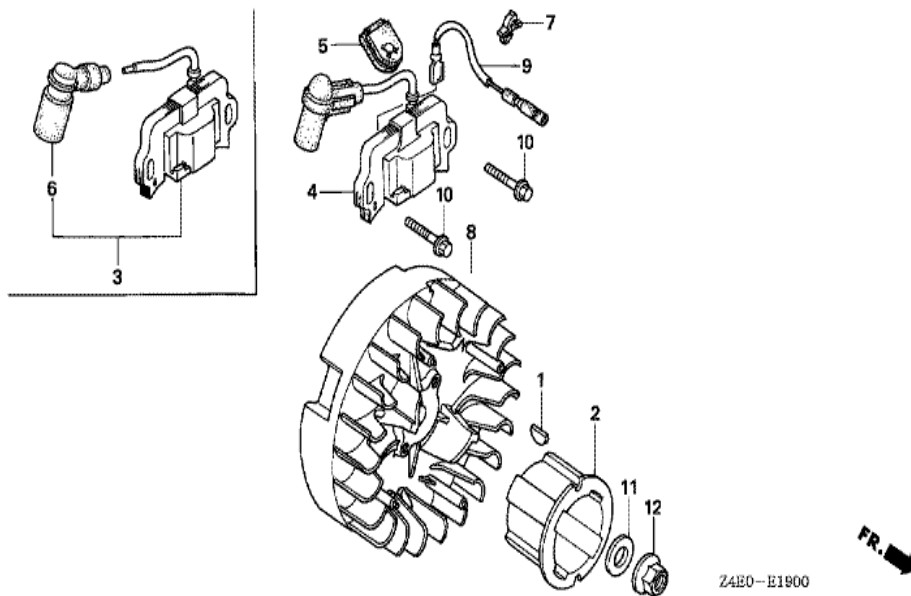
E-17 FUEL TANK



| <u>Ref</u> | <u>Partnumber</u> | <u>Description</u> | <u>GX100U</u> | <u>Serial Numbers</u> |
|------------|-------------------|--------------------------------------|---------------|-----------------------|
| 001 | 16910-GB2-005 | STRAINER COMP., FUEL | 1 | |
| 001 | 16910-GB2-005 | STRAINER COMP., FUEL | 1 | 1025213 |
| 001 | 16910-Z4E-S21 | STRAINER COMP., FUEL | 1 | 1099966 |
| 001 | 16910-Z4E-S21 | STRAINER COMP., FUEL | 1 | 1025214 |
| 019 | 91434-Z4E-811 | HOSE, FUEL, 4.5X80 (FKM) | 1 | 1195353 1364323 |
| 019 | 91434-Z4E-812 | HOSE, FUEL, 4.2X80 (FKM) | 1 | 1364324 |
| 019 | 95001-4508050 | TUBE, FUEL, 4.5X80 (95001-45001-50M) | 1 | 1084250 |
| 019 | 95001-4508050 | TUBE, FUEL, 4.5X80 (95001-45001-50M) | 1 | 1195352 |
| 023 | 90602-MT7-003 | CLAMPER, TUBE (D9.4) | 1 | 1364324 |
| 023 | 95002-4085008 | CLAMP, TUBE (D8.5) | 1 | 1364323 |

GX100U(KRBM)

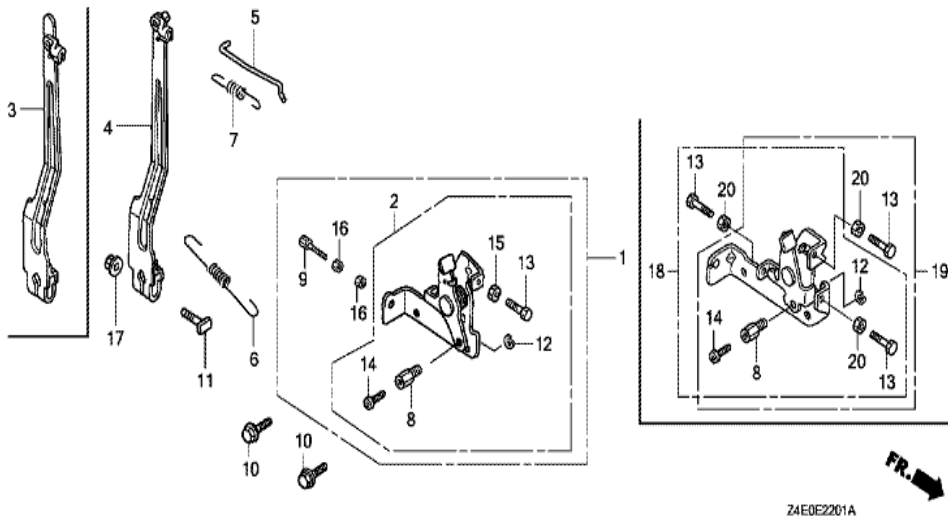
E-19 FLYWHEEL/IGNITION COIL



Z4E0-E1900

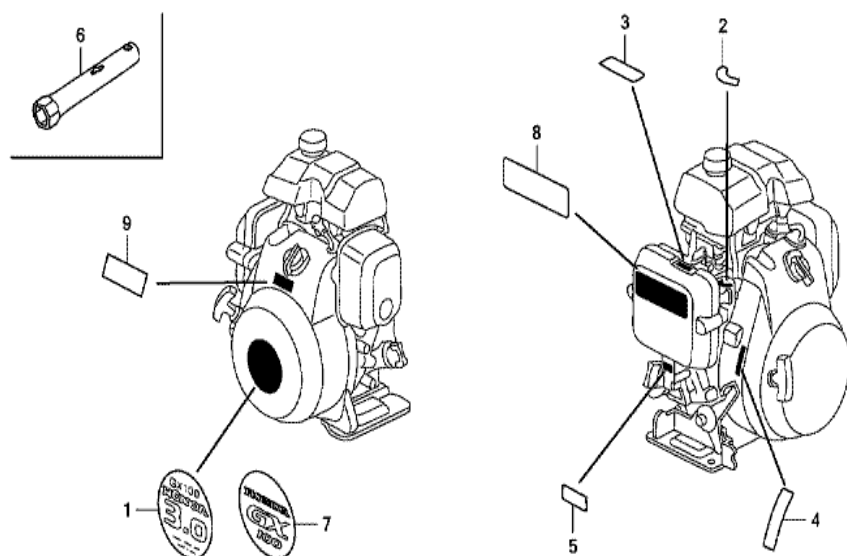
| Ref | Partnumber | Description | GX100U | Serial Numbers |
|-----|---------------|-------------------------------|--------|----------------|
| 001 | 13331-ZM7-000 | KEY, SPECIAL | 1 | |
| 002 | 28451-Z0D-V02 | PULLEY, STARTER | 1 | 1019749 |
| 002 | 28451-Z0D-V03 | PULLEY, STARTER | 1 | |
| 002 | 28451-Z0D-V03 | PULLEY, STARTER | 1 | 1019750 |
| 003 | 30500-Z0D-V02 | COIL ASSY., IGNITION | 1 | |
| 005 | 30564-ZA5-000 | GROMMET, CORD | 1 | |
| 006 | 30700-Z0D-V01 | TERMINAL ASSY., HIGH TENSION | 1 | |
| 007 | 30701-883-000 | CLIP, HIGH TENSION CORD (8MM) | 1 | |
| 008 | 31110-Z0D-003 | FLYWHEEL COMP. | 1 | |
| 009 | 32195-Z0D-000 | CORD, STOP SWITCH | 1 | |
| 010 | 90022-888-010 | BOLT, FLANGE, 6X20 (CT200) | 2 | |
| 012 | 94050-12000 | NUT, FLANGE, 12MM | 1 | |

| | |
|--------------|--------------------|
| GX100U(KRBM) | E-22-1 CONTROL (2) |
|--------------|--------------------|



| Ref | Partnumber | Description | GX100U | Serial Numbers |
|-----|---------------|----------------------------|--------|----------------|
| 002 | 16500-Z0D-V50 | CONTROL ASSY. | 1 | |
| 003 | 16550-Z0D-V01 | ARM COMP., GOVERNOR | 1 | |
| 005 | 16555-Z0D-V00 | ROD, GOVERNOR | 1 | |
| 006 | 16561-Z0D-V00 | SPRING, GOVERNOR | 1 | |
| 007 | 16562-Z0D-V00 | SPRING, THROTTLE RETURN | 1 | |
| 008 | 16594-883-010 | HOLDER, WIRE | 1 | |
| 010 | 90014-952-000 | BOLT, FLANGE, 6X14 (CT200) | 2 | |
| 011 | 90015-ZE5-010 | BOLT, GOVERNOR ARM | 1 | |
| 012 | 90605-230-000 | CIRCLIP, 5MM | 1 | |
| 013 | 92301-050200A | BOLT, RECESSED, 5X20 | 1 | |
| 014 | 93500-040060H | SCREW, PAN, 4X6 | 1 | |
| 015 | 94001-050000S | NUT, HEX., 5MM | 1 | |
| 017 | 94050-06000 | NUT, FLANGE, 6MM | 1 | |

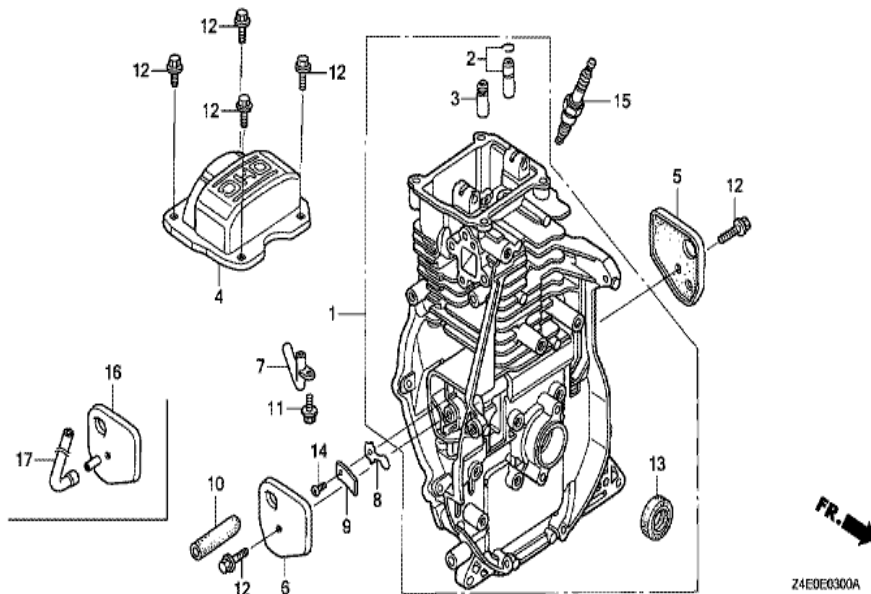
| | |
|--------------|-----------------|
| GX100U(KRBM) | E-28 LABEL/TOOL |
|--------------|-----------------|



Z4E0E2800C

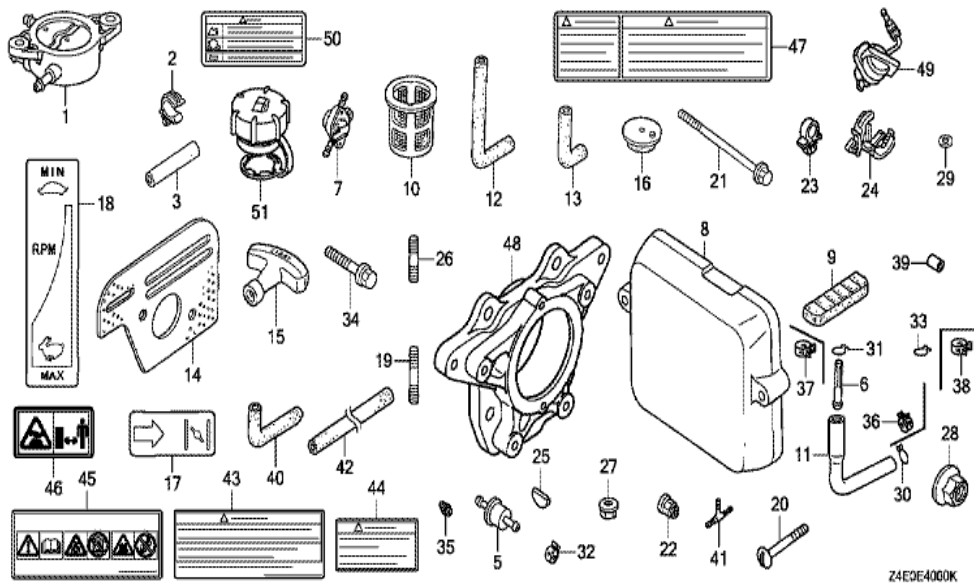
| <u>Ref</u> | <u>Partnumber</u> | <u>Description</u> | <u>GX100U</u> | <u>Serial Numbers</u> |
|------------|-------------------|----------------------------------|---------------|-----------------------|
| 001 | 87521-ZOD-V01 | EMBLEM (RAMMA) (GX100 3.0) | 1 | 1066473 |
| 001 | 87521-ZOD-V01 | EMBLEM (RAMMA) (GX100 3.0) | 1 | 1066473 |
| 003 | 87528-ZOD-000 | MARK, CHOKE INDICATION | 1 | |
| 005 | 87601-ZOD-R50 | MARK, TYPE (KRBM) | 1 | |
| 005 | 87601-ZOD-R50 | MARK, TYPE (KRBM) | 1 | |
| 006 | 89216-130-690 | WRENCH, SPARK PLUG | 1 | |
| 007 | 87521-ZOD-V02 | EMBLEM (RAMMA) (GX100) | 1 | 1066474 |
| 007 | 87521-ZOD-V02 | EMBLEM (RAMMA) (GX100) | 1 | 1066474 |
| 008 | 87516-ZOJ-000 | MARK, OPERATOR CAUTION (ENGLISH) | 1 | |
| 008 | 87516-ZOJ-000 | MARK, OPERATOR CAUTION (ENGLISH) | 1 | 1189916 |
| 008 | 87516-ZOJ-800 | MARK, OPERATOR CAUTION (FRENCH) | 1 | 1189916 |
| 008 | 87516-ZOJ-800 | MARK, OPERATOR CAUTION (FRENCH) | 1 | 1189916 |
| 008 | 87519-ZOJ-000 | MARK, OPERATOR CAUTION | 1 | 1189916 |
| <u>Ref</u> | <u>Partnumber</u> | <u>Description</u> | <u>GX100U</u> | <u>Serial Numbers</u> |
| 008 | 87519-ZOJ-000 | MARK, OPERATOR CAUTION | 1 | 1189916 |
| 009 | 87539-ZOJ-000 | MARK, EX. CAUTION (ENGLISH) | 1 | |
| 009 | 87539-ZOJ-000 | MARK, EX. CAUTION (ENGLISH) | 1 | 1188091 |
| 009 | 87539-ZOJ-800 | MARK, EX. CAUTION (PICTOGRAPH) | 1 | 1188091 |
| 009 | 87539-ZOJ-800 | MARK, EX. CAUTION (PICTOGRAPH) | 1 | 1188091 |
| 009 | 87539-ZOJ-810 | MARK, EX. CAUTION (FRENCH) | 1 | 1188091 |
| 009 | 87539-ZOJ-810 | MARK, EX. CAUTION (FRENCH) | 1 | 1188091 |

| | |
|--------------|---------------------|
| GX100U(KRBM) | E-3 CYLINDER BARREL |
|--------------|---------------------|



| <u>Ref</u> | <u>Partnumber</u> | <u>Description</u> | <u>GX100U</u> | <u>Serial Numbers</u> |
|------------|-------------------|-------------------------------|---------------|-----------------------|
| 001 | 12000-Z0D-V00 | BARREL ASSY., CYLINDER | 1 | |
| 001 | 12000-Z0D-V00 | BARREL ASSY., CYLINDER | 1 | |
| 002 | 12201-Z0D-305 | GUIDE ASSY., EX. VALVE (O.S.) | 1 | |
| 003 | 12204-Z0D-305 | GUIDE, IN. VALVE (O.S.) | 1 | |
| 004 | 12311-Z0D-000 | COVER, HEAD | 1 | |
| 005 | 12355-Z0D-000 | COVER COMP. A, BREATHER | 1 | |
| 006 | 12365-Z0D-000 | COVER COMP. B, BREATHER | 1 | |
| 007 | 15171-Z0D-V00 | PIPE, BREATHER | 1 | |
| 008 | 15571-Z0D-V71 | VALVE, OIL OUTLET | 1 | |
| 008 | 15571-Z0D-V71 | VALVE, OIL OUTLET | 1 | 1037365 |
| 009 | 15572-ZM7-000 | PLATE, STOPPER | 1 | |
| 010 | 15721-Z0D-V00 | TUBE, BREATHER | 1 | 1190130 |
| 010 | 15721-Z0D-V00 | TUBE, BREATHER | 1 | |
| <u>Ref</u> | <u>Partnumber</u> | <u>Description</u> | <u>GX100U</u> | <u>Serial Numbers</u> |
| 011 | 90008-ZM7-000 | BOLT, 4X10 | 1 | |
| 012 | 90014-952-000 | BOLT, FLANGE, 6X14 (CT200) | 6 | |
| 013 | 91202-KJ9-003 | OIL SEAL, 20X32X6 | 1 | |
| 014 | 93500-030050A | SCREW, PAN, 3X5 | 1 | |
| 015 | 98056-55757 | PLUG, SPARK (U16FSR-UB) | 1 | |
| 015 | 98056-55757 | PLUG, SPARK (U16FSR-UB) | 1 | |
| 015 | 98056-55777 | PLUG, SPARK (CR5HSB) | 1 | |
| 015 | 98056-55777 | PLUG, SPARK (CR5HSB) | 1 | |

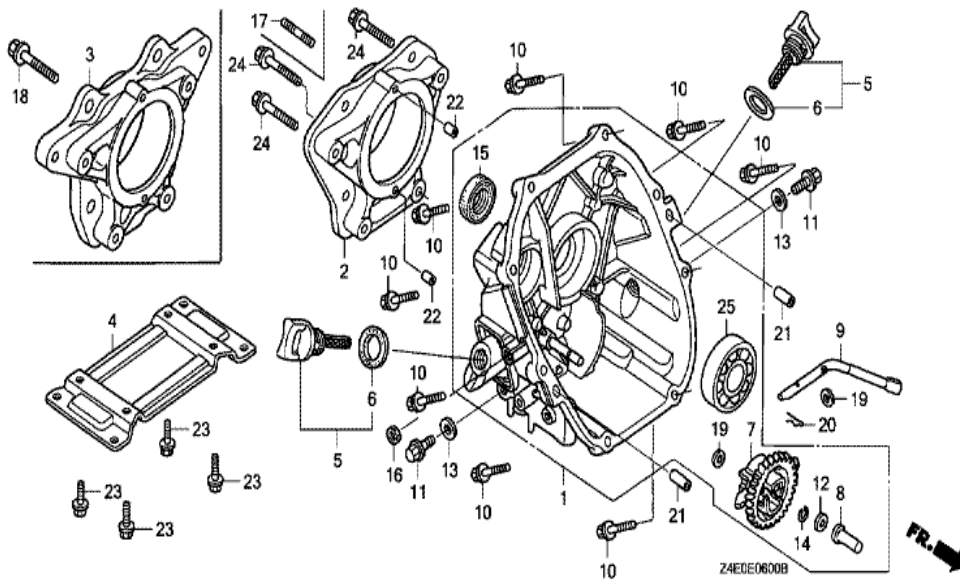
| | |
|--------------|------------------|
| GX100U(KRBM) | E-40 OTHER PARTS |
|--------------|------------------|



| Ref | Partnumber | Description | GX100U | Serial Numbers |
|-----|---------------|----------------------|--------|----------------|
| 025 | 90741-ZOD-V50 | KEY, WOODRUFF, 13X12 | 1 | |
| 032 | 95002-4085008 | CLAMP, TUBE (D8.5) | 1 | |

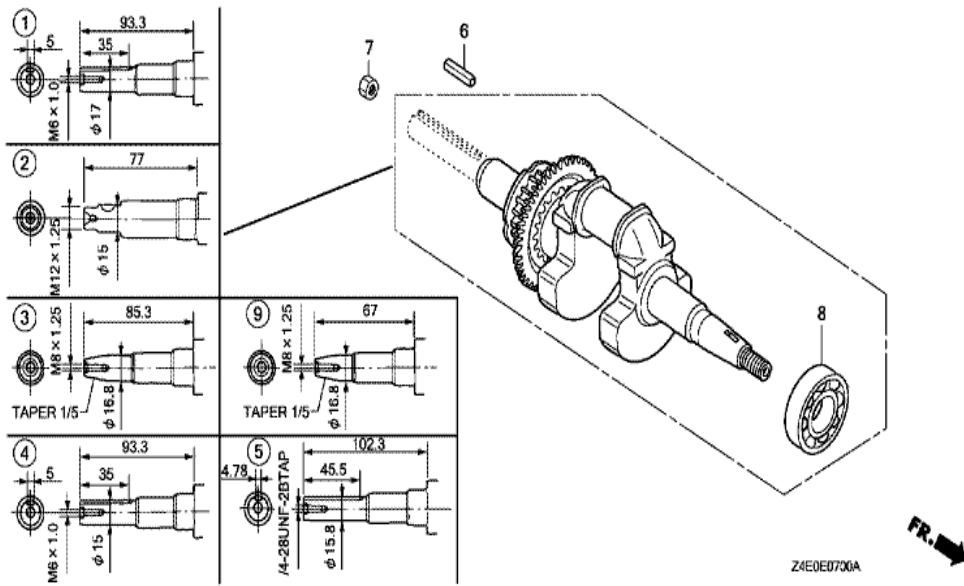
GX100U(KRBM)

E-6 CRANKCASE COVER



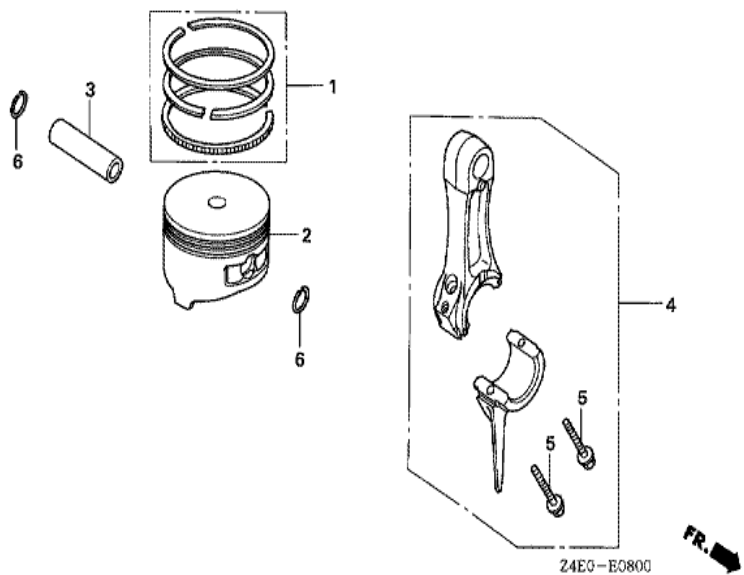
| Ref | Partnumber | Description | GX100U | Serial Numbers |
|-----|---------------|----------------------------|--------|----------------|
| 001 | 11300-Z0D-409 | COVER ASSY., CRANKCASE | 1 | |
| 001 | 11300-Z0D-409 | COVER ASSY., CRANKCASE | 1 | |
| 003 | 11511-Z0D-V10 | FLANGE, P.T.O. | 1 | |
| 005 | 15600-ZM7-003 | CAP ASSY., OIL FILLER | 1 | |
| 005 | 15600-ZM7-003 | CAP ASSY., OIL FILLER | 1 | |
| 006 | 15625-ZE1-003 | PACKING, OIL FILLER CAP | 1 | |
| 007 | 16510-ZL8-000 | GOVERNOR ASSY. | 1 | |
| 007 | 16510-ZL8-000 | GOVERNOR ASSY. | 1 | |
| 008 | 16531-ZE1-000 | SLIDER, GOVERNOR | 1 | |
| 009 | 16541-Z0D-000 | SHAFT, GOVERNOR ARM | 1 | |
| 010 | 90121-952-000 | BOLT, FLANGE, 6X25 (CT200) | 8 | |
| 011 | 90131-ZE1-000 | BOLT, DRAIN PLUG | 1 | |
| 012 | 90451-ZE1-000 | WASHER, THRUST, 6MM | 1 | |
| Ref | Partnumber | Description | GX100U | Serial Numbers |
| 013 | 90601-ZE1-000 | WASHER, DRAIN PLUG, 10.2MM | 1 | |
| 014 | 90602-ZE1-000 | CLIP, GOVERNOR HOLDER | 1 | |
| 015 | 91202-KJ9-003 | OIL SEAL, 20X32X6 | 1 | |
| 016 | 91231-891-003 | OIL SEAL, 6X11X4 (ARAI) | 1 | |
| 018 | 93402-1004000 | BOLT-WASHER, 10X40 | 2 | |
| 019 | 94101-06800 | WASHER, PLAIN, 6MM | 2 | |
| 020 | 94251-08000 | PIN, LOCK, 8MM | 1 | |
| 021 | 94301-08200 | DOWEL PIN, 8X20 | 2 | |
| 022 | 94303-06100 | DOWEL PIN, 6X10 | 2 | |
| 024 | 95701-0804500 | BOLT, FLANGE, 8X45 | 4 | |
| 024 | 95701-0804500 | BOLT, FLANGE, 8X45 | 4 | |
| 025 | 96100-6204000 | BEARING, RADIAL BALL, 6204 | 1 | |

| | |
|--------------|----------------|
| GX100U(KRBM) | E-7 CRANKSHAFT |
|--------------|----------------|



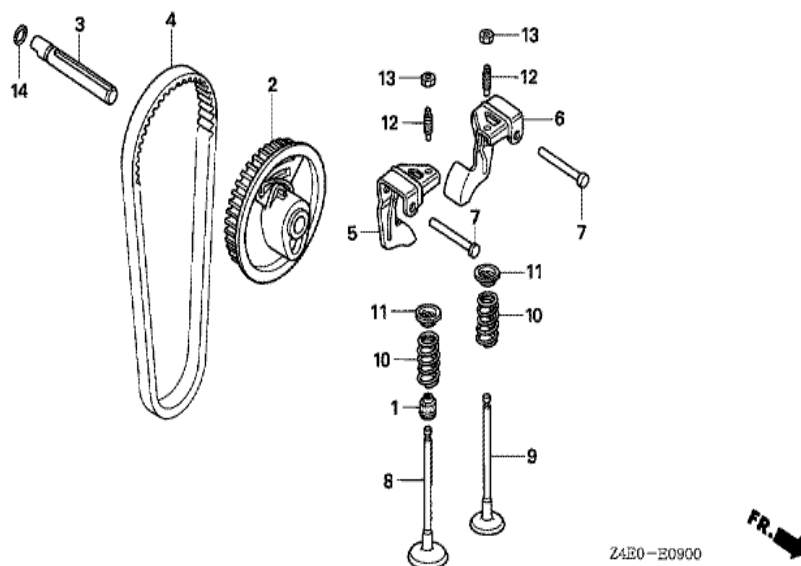
| Ref | Partnumber | Description | GX100U | Serial Numbers |
|-----|---------------|-----------------------------|--------|----------------|
| 002 | 13310-Z0D-V00 | CRANKSHAFT COMP. | 1 | |
| 007 | 94002-120000S | NUT, HEX., 12MM | 1 | |
| 008 | 91001-Z0D-V01 | BEARING, RADIAL BALL, 6204C | 1 | |

| | |
|--------------|---------------------------|
| GX100U(KRBM) | E-8 PISTON/CONNECTING ROD |
|--------------|---------------------------|



| Ref | Partnumber | Description | GX100U | Serial Numbers |
|-----|---------------|------------------------------------|--------|----------------|
| 001 | 13010-ZOD-003 | RING SET, PISTON | 1 | |
| 002 | 13101-ZOD-000 | PISTON | 1 | |
| 003 | 13111-ZE0-000 | PIN, PISTON | 1 | |
| 004 | 13200-ZOD-000 | ROD ASSY., CONNECTING | 1 | |
| 004 | 13200-ZOD-305 | ROD ASSY., CONNECTING (UNDER SIZE) | (1) | |
| 004 | 13200-ZOD-305 | ROD ASSY., CONNECTING (UNDER SIZE) | (1) | |
| 005 | 90001-ZM7-000 | BOLT, CONNECTING ROD | 2 | |
| 006 | 90551-ZE0-000 | CLIP, PISTON PIN, 13MM | 2 | |

| | |
|--------------|---------------------|
| GX100U(KRBM) | E-9 CAMSHAFT PULLEY |
|--------------|---------------------|



| <u>Ref</u> | <u>Partnumber</u> | <u>Description</u> | <u>GX100U</u> | <u>Serial Numbers</u> |
|------------|-------------------|----------------------------|---------------|-----------------------|
| 001 | 12209-KT7-013 | SEAL, VALVE STEM | 1 | |
| 002 | 14320-Z0D-010 | PULLEY COMP., CAMSHAFT | 1 | |
| 003 | 14324-Z0D-000 | SHAFT, CAM PULLEY | 1 | |
| 004 | 14400-Z0D-003 | BELT, TIMING (61YU7 G-200) | 1 | |
| 005 | 14431-Z0D-000 | ARM, IN. VALVE ROCKER | 1 | |
| 006 | 14441-Z0D-000 | ARM, EX. VALVE ROCKER | 1 | |
| 007 | 14461-ZL8-000 | SHAFT, ROCKER ARM | 2 | |
| 008 | 14711-Z0D-000 | VALVE, IN. | 1 | |
| 009 | 14721-Z0D-000 | VALVE, EX. | 1 | |
| 010 | 14751-Z0D-000 | SPRING, VALVE | 2 | |
| 011 | 14771-ZM3-010 | RETAINER, VALVE SPRING | 2 | |
| 012 | 90012-333-000 | SCREW, TAPPET ADJUSTING | 2 | |
| 013 | 90206-001-000 | NUT, TAPPET ADJUSTING | 2 | |
| <u>Ref</u> | <u>Partnumber</u> | <u>Description</u> | <u>GX100U</u> | <u>Serial Numbers</u> |
| 014 | 91301-ZM0-V31 | O-RING, 6.8X1.9 (ARAI) | 1 | |