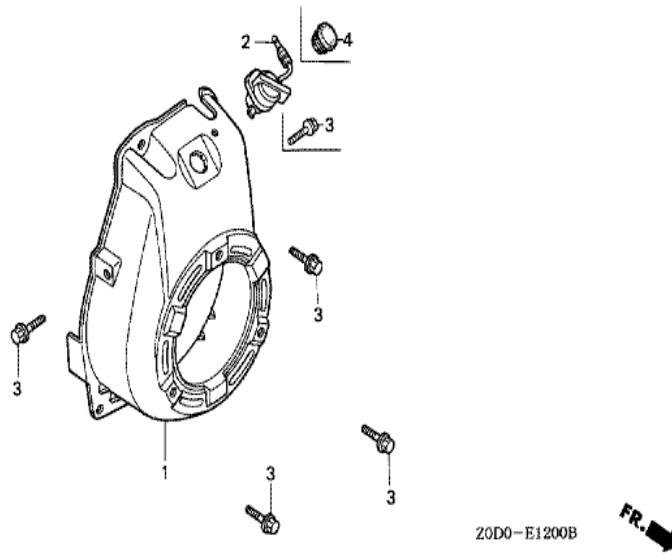


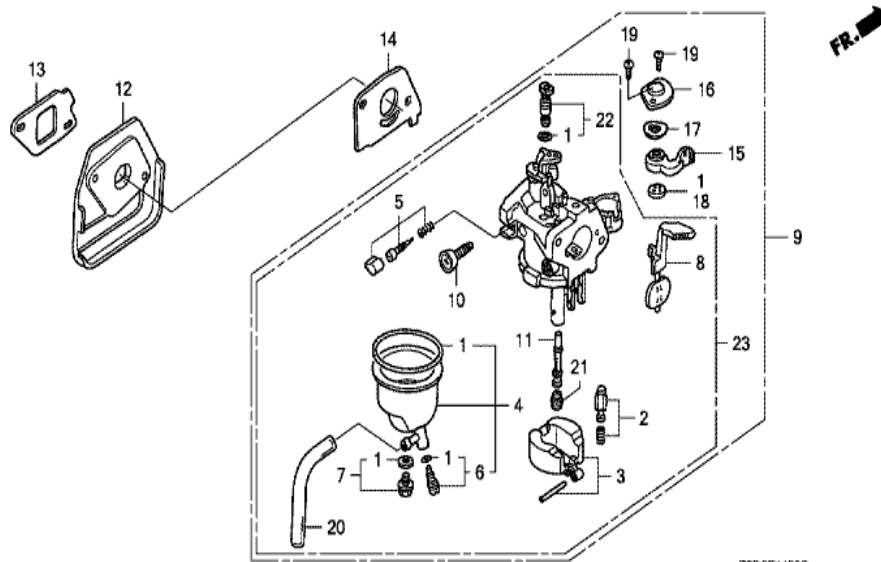
Ref	Partnumber	Description	GX100	Serial Numbers
001	28400-ZOD-003ZB	STARTER ASSY., RECOIL *NH1 *	1	
001	28400-ZOD-003ZB	STARTER ASSY., RECOIL *NH1 *	1	
001	28400-ZOD-003ZC	STARTER ASSY., RECOIL *R280 *	1	
001	28400-ZOD-003ZC	STARTER ASSY., RECOIL *R280 *	1	
002	28461-ZOD-003	GRIP, STARTER	1	
003	28462-ZOD-003	ROPE, STARTER	1	
004	90002-ZOD-000	BOLT, FLANGE, 6MM	3	



Z0D0-E1200B

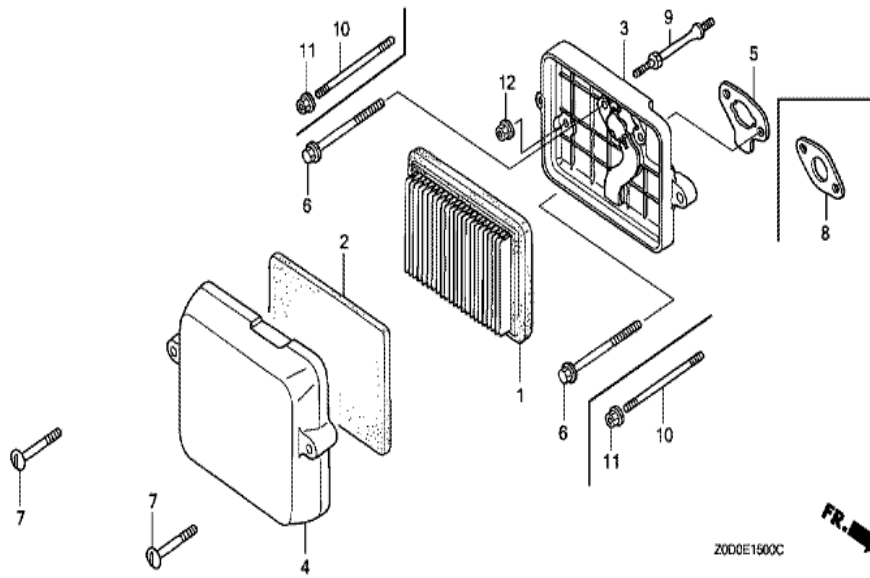


Ref	Partnumber	Description	GX100	Serial Numbers
001	19610-Z0D-800ZB	COVER COMP., FAN *NH1 *	1	
001	19610-Z0D-800ZB	COVER COMP., FAN *NH1 *	1	
001	19610-Z0D-800ZC	COVER COMP., FAN *R280 *	1	
001	19610-Z0D-800ZC	COVER COMP., FAN *R280 *	1	
002	36100-ZE1-015	SWITCH ASSY., ENGINE STOP	1	
002	36100-ZE1-015	SWITCH ASSY., ENGINE STOP	1	
003	90014-952-000	BOLT, FLANGE, 6X14 (CT200)	4	



ZDD0E1400C

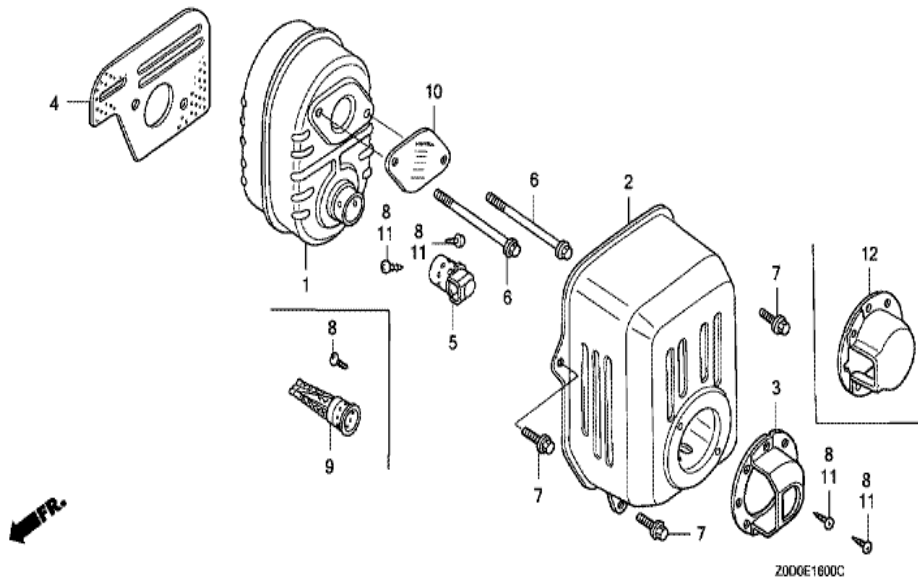
<u>Ref</u>	<u>Partnumber</u>	<u>Description</u>	<u>GX100</u>	<u>Serial Numbers</u>
001	16010-ZM7-003	GASKET SET	1	
001	16010-ZM7-003	GASKET SET	1	
002	16011-ZE0-005	VALVE SET, FLOAT	1	
003	16013-ZG0-811	FLOAT SET	1	
004	16015-ZM7-003	CHAMBER SET, FLOAT	1	
005	16016-ZH7-W01	SCREW SET, PILOT	1	
006	16024-ZB9-005	SCREW SET, DRAIN	1	
007	16028-ZG0-811	SCREW SET	1	
008	16044-Z0D-003	CHOKE SET	1	
009	16100-Z0D-013	CARBURETOR ASSY. (BF32F B)	1	
010	16124-ZE0-005	SCREW, THROTTLE STOP	1	
011	16166-Z0D-003	NOZZLE, MAIN	1	
012	16211-Z0D-000	INSULATOR, CARBURETOR	1	
<u>Ref</u>	<u>Partnumber</u>	<u>Description</u>	<u>GX100</u>	<u>Serial Numbers</u>
013	16212-Z0D-000	PACKING, INSULATOR	1	
014	16221-ZG0-801	PACKING, CARBURETOR	1	
015	16953-Z0D-003	LEVER, COCK	1	
016	16954-ZE1-812	PLATE, LEVER SETTING	1	
017	16956-ZE1-811	SPRING, COCK LEVER	1	
018	16957-ZE1-812	PACKING, FUEL COCK	1	
019	93500-030061H	SCREW, PAN, 3X6	2	
020	95003-0501031	TUBE, VINYL, 3.5X6.5X100 (95003-05001-60	1	
021	99101-ZG00550	JET, MAIN, #55	(1)	
021	99101-ZG00580	JET, MAIN, #58	(1)	
021	99101-ZG00580	JET, MAIN, #58	(1)	
021	99101-ZG00600	JET, MAIN, #60	1	
021	99101-ZG00600	JET, MAIN, #60	1	
022	99204-ZE20350	JET SET, PILOT, #35	1	



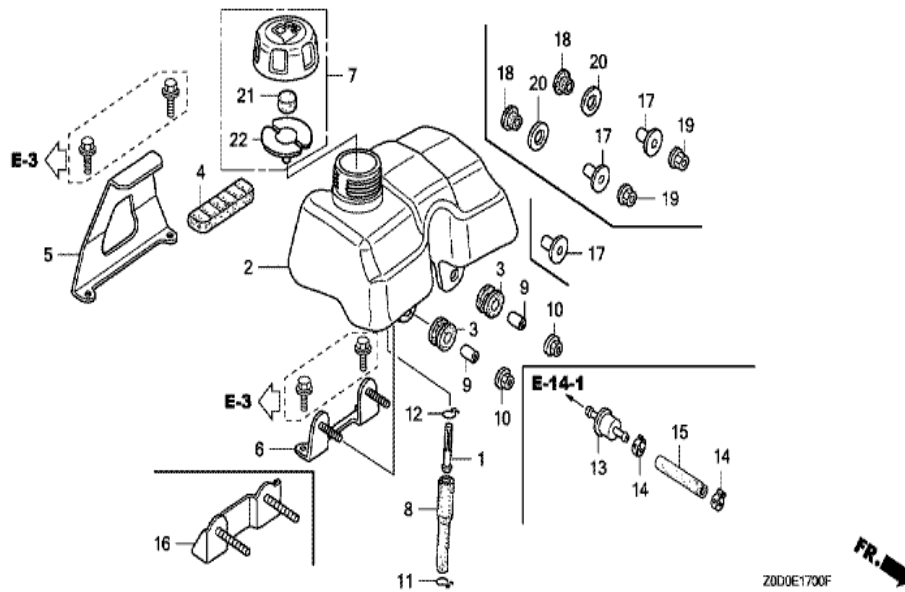
Z000E1500C



Ref	Partnumber	Description	GX100	Serial Numbers
001	17211-ZL8-013	ELEMENT, AIR CLEANER	1	1563055
001	17211-ZL8-023	ELEMENT, AIR CLEANER (TOYO ROKI)	1	
001	17211-ZL8-023	ELEMENT, AIR CLEANER (TOYO ROKI)	1	1563056
002	17218-ZOD-000	FILTER, OUTER	1	
003	17220-ZOD-000	CASE COMP., AIR CLEANER	1	
004	17231-ZOD-000	COVER, AIR CLEANER	1	
005	17274-ZT3-000	PACKING, AIR INTAKE JOINT	1	
005	17274-ZT3-000	PACKING, AIR INTAKE JOINT	1	
006	90004-ZOD-000	BOLT, FLANGE, 5X77 (CT200)	2	
007	90011-ZOD-000	BOLT, AIR CLEANER COVER	2	



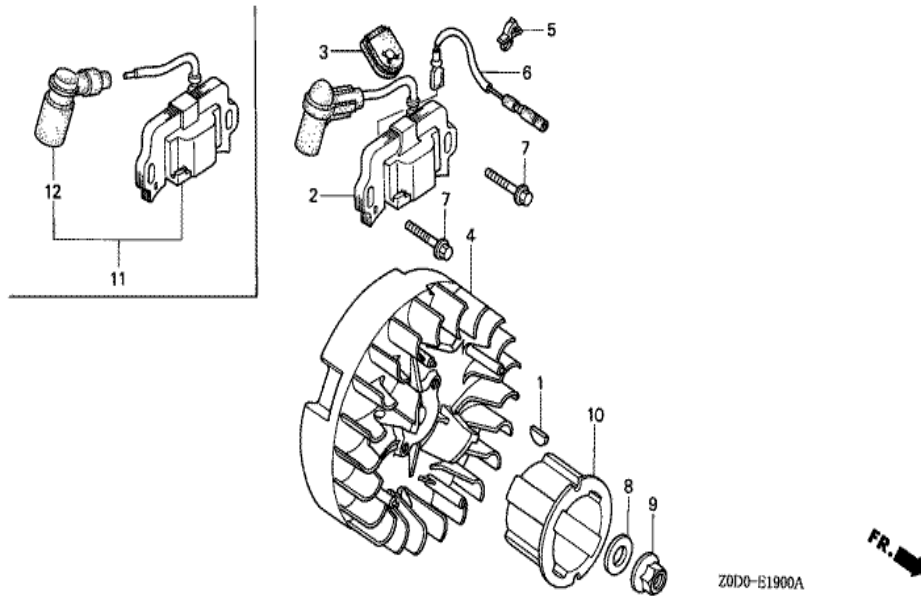
Ref	Partnumber	Description	GX100	Serial Numbers
001	18310-ZM0-000	MUFFLER COMP.	1	
002	18321-ZL8-000	PROTECTOR, MUFFLER	1	
003	18348-ZL8-000	CAP, MUFFLER	1	
003	18348-ZL8-000	CAP, MUFFLER	(1)	
004	18381-Z0D-000	GASKET, MUFFLER	1	
005	18430-ZL8-000	DEFLECTOR COMP., MUFFLER	1	
005	18430-ZL8-000	DEFLECTOR COMP., MUFFLER	(1)	
006	90004-ZL8-000	BOLT, FLANGE, 6X79 (CT200)	2	
007	90014-952-000	BOLT, FLANGE, 6X14 (CT200)	3	
008	90055-ZE1-000	SCREW, TAPPING, 4X6	(1)	
008	90055-ZE1-000	SCREW, TAPPING, 4X6	(5)	
009	18350-ZL8-000	ARRESTER COMP., SPARK	(1)	
010	18356-ZL8-000	PLATE, ARRESTER NUMBER	(1)	



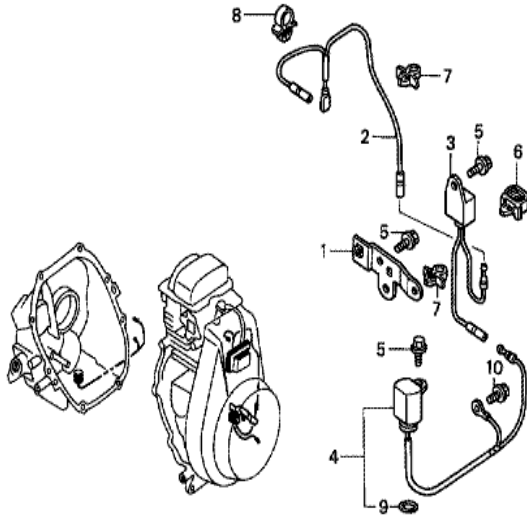
ZDDOE1700F



Ref	Partnumber	Description	GX100	Serial Numbers
001	16952-ZE6-000	STRAINER, FUEL	1	
002	17511-ZM7-000	TANK, FUEL	1	
002	17511-ZM7-000	TANK, FUEL	1	1418806
002	17511-ZM7-010	TANK, FUEL	1	1418807
002	17511-ZM7-010	TANK, FUEL	1	1418807
003	17532-ZM7-000	RUBBER A, TANK MOUNTING	2	
004	17533-ZM7-000	RUBBER B, TANK MOUNTING	1	
004	17533-ZM7-000	RUBBER B, TANK MOUNTING	1	
005	17561-ZOD-000	STAY A, FUEL TANK	1	
006	17566-ZOD-010	STAY B, FUEL TANK	1	
007	17620-ZL8-013	CAP ASSY., FUEL TANK	1	
008	17701-ZOD-000	TUBE, FUEL	1	
009	30507-441-000	COLLAR, IGNITION COIL SETTING	2	
Ref	Partnumber	Description	GX100	Serial Numbers
010	90201-ZM0-000	NUT, FLANGE, 6MM	2	
011	95002-02080	CLIP, TUBE (B8)	1	
012	95002-02100	CLIP, TUBE (B10)	1	
012	95002-02100	CLIP, TUBE (B10)	1	
021	17622-ZL8-003	SPONGE, FUEL CAP BREATHER	1	
022	17624-ZL8-003	PACKING, FUEL CAP	1	



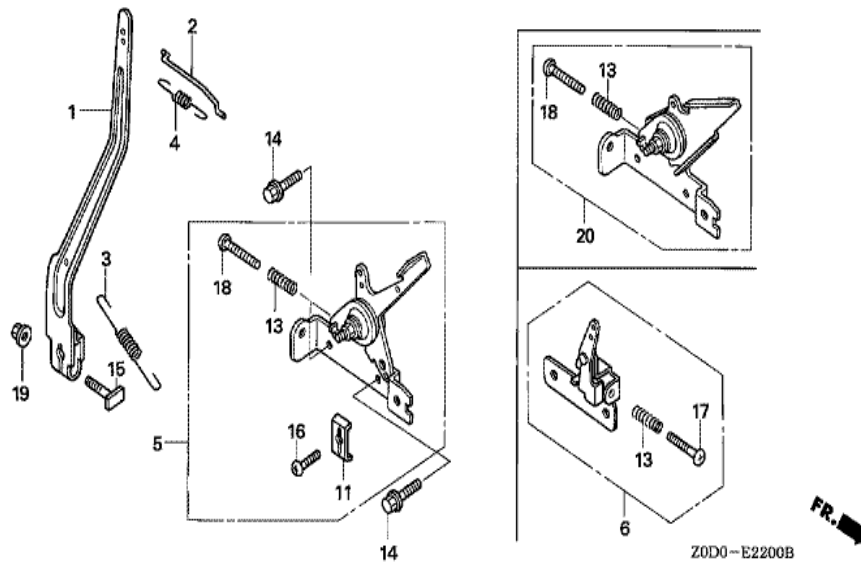
Ref	Partnumber	Description	GX100	Serial Numbers
001	13331-ZM7-000	KEY, SPECIAL	1	
002	30500-Z0D-003	COIL ASSY., IGNITION	1	
002	30500-Z0D-003	COIL ASSY., IGNITION	1	1418807
002	30500-Z0D-013	COIL ASSY., IGNITION	1	1418808
002	30500-Z0D-013	COIL ASSY., IGNITION	1	1418808
003	30564-ZA5-000	GROMMET, CORD	1	
004	31110-Z0D-003	FLYWHEEL COMP.	1	
007	90022-888-010	BOLT, FLANGE, 6X20 (CT200)	2	
008	90531-011-010	WASHER, 12MM	1	
009	94050-12000	NUT, FLANGE, 12MM	1	



Z0D0-E1810

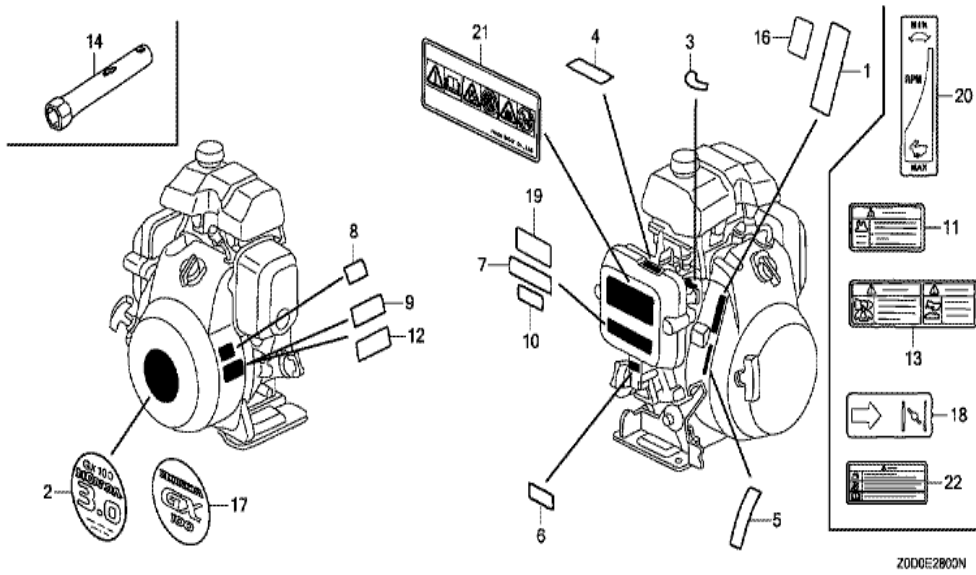


<u>Ref</u>	<u>Partnumber</u>	<u>Description</u>	<u>GX100</u>	<u>Serial Numbers</u>
001	32112-Z0D-800	BRACKET, OIL ALERT UNIT	1	
002	32195-Z0D-800	CORD, STOP SWITCH	1	
003	34150-ZH7-003	ALERT UNIT, OIL	1	
004	35480-Z0D-003	SWITCH ASSY., OIL LEVEL	1	
005	90014-952-000	BOLT, FLANGE, 6X14 (CT200)	1	
005	90014-952-000	BOLT, FLANGE, 6X14 (CT200)	3	
006	90650-SB2-003	CLIP, WIRE HARNESS, 10MM	1	
007	90681-959-003	CLIP A, CABLE (NIFCO) (3.8MM BLACK)	1	
007	90681-959-003	CLIP A, CABLE (NIFCO) (3.8MM BLACK)	2	
008	90682-959-661	CLIP B, CABLE (9MM BLACK)	1	
008	90682-959-661	CLIP B, CABLE (9MM BLACK)	1	
009	91302-ZL8-003	O-RING, 11.8X2.4	1	
009	91302-ZL8-003	O-RING, 11.8X2.4	1	
<u>Ref</u>	<u>Partnumber</u>	<u>Description</u>	<u>GX100</u>	<u>Serial Numbers</u>
010	95701-0600800	BOLT, FLANGE, 6X8	1	
010	95701-0600800	BOLT, FLANGE, 6X8	1	



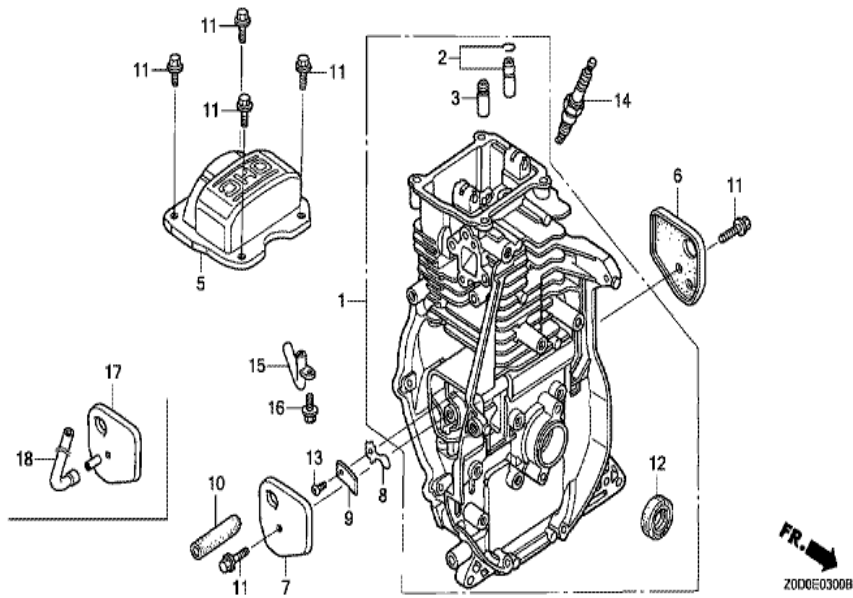
ZOD0-E2200B

Ref	Partnumber	Description	GX100	Serial Numbers
001	16551-Z0D-010	ARM, GOVERNOR	1	
001	16551-Z0D-010	ARM, GOVERNOR	1	
002	16555-Z0D-000	ROD, GOVERNOR	1	
003	16561-Z0D-000	SPRING, GOVERNOR	1	
004	16562-Z0D-000	SPRING, THROTTLE RETURN	1	
006	16570-ZG0-800	CONTROL COMP.	1	
006	16570-ZG0-800	CONTROL COMP.	1	
013	16584-883-300	SPRING, CONTROL ADJUSTING	1	
014	90014-952-000	BOLT, FLANGE, 6X14 (CT200)	2	
015	90015-ZE5-010	BOLT, GOVERNOR ARM	1	
017	93500-050200A	SCREW, PAN, 5X20	1	
017	93500-050200A	SCREW, PAN, 5X20	1	
019	94050-06000	NUT, FLANGE, 6MM	1	

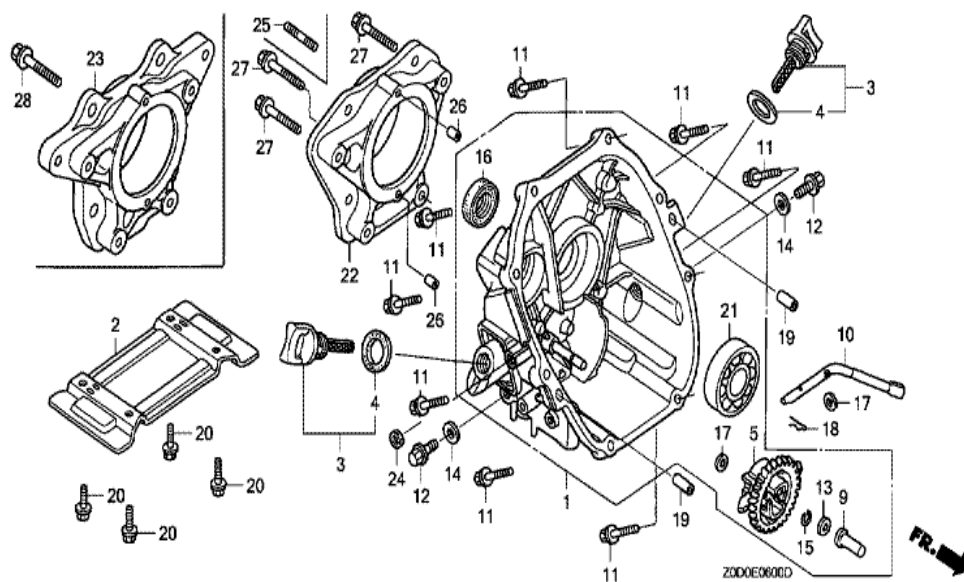


Z0D0E2800N

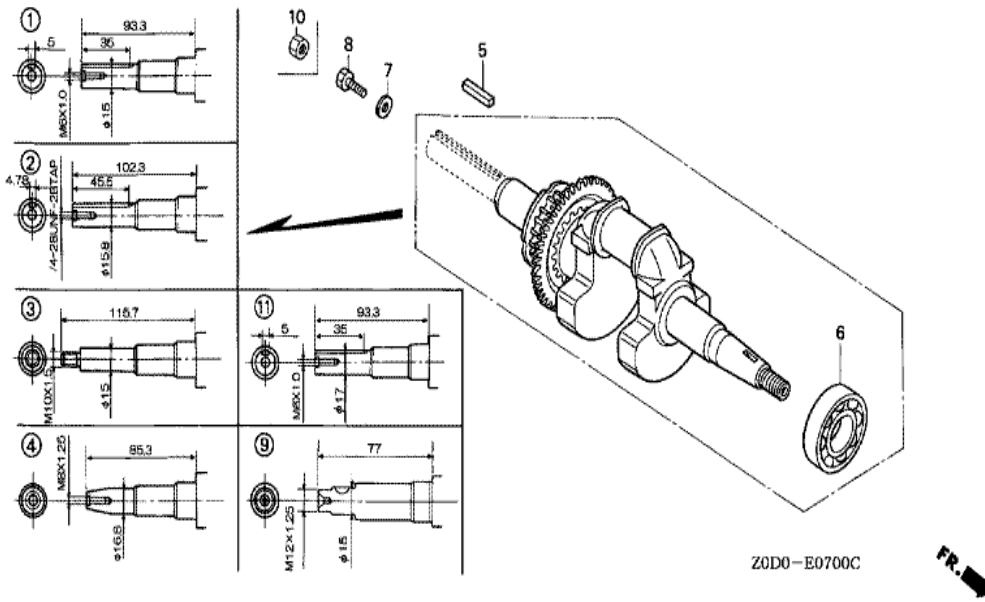
Ref	Partnumber	Description	GX100	Serial Numbers
002	87521-ZOD-010	EMBLEM (GX100 3.0)	1	
002	87521-ZOD-010	EMBLEM (GX100 3.0)	1	
003	87528-ZG0-W40	MARK, COCK (EXTERNAL)	1	
004	87528-ZOD-000	MARK, CHOKE INDICATION	1	
006	87601-ZOD-870	MARK, TYPE (VA2)	1	
006	87601-ZOD-870	MARK, TYPE (VA2)	1	



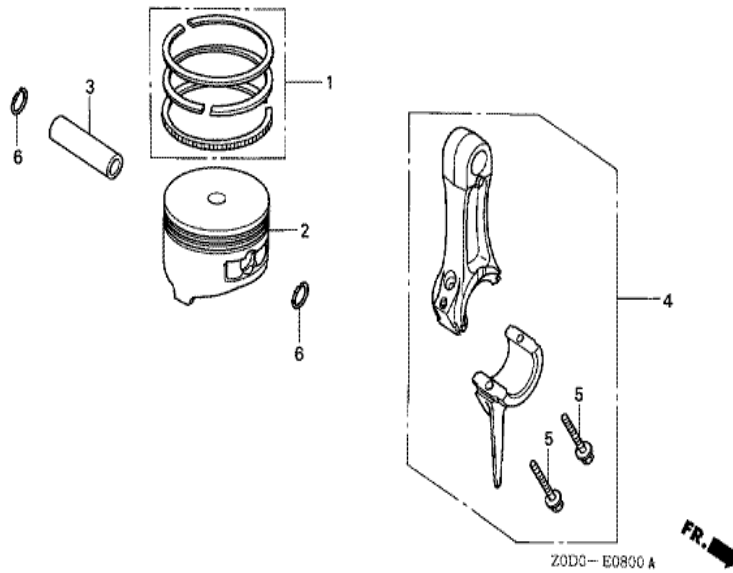
<u>Ref</u>	<u>Partnumber</u>	<u>Description</u>	<u>GX100</u>	<u>Serial Numbers</u>
001	12000-Z0D-405	BARREL ASSY., CYLINDER	1	
002	12201-Z0D-305	GUIDE ASSY., EX. VALVE (O.S.)	(1)	
003	12204-Z0D-305	GUIDE, IN. VALVE (O.S.)	(1)	
005	12311-Z0D-000	COVER, HEAD	1	
006	12355-Z0D-000	COVER COMP. A, BREATHER	1	
007	12365-Z0D-000	COVER COMP. B, BREATHER	1	
008	15571-ZM7-003	VALVE, OIL OUTLET	1	
008	15571-ZM7-003	VALVE, OIL OUTLET	1	
009	15572-ZM7-000	PLATE, STOPPER	1	
010	15721-Z0D-000	TUBE, BREATHER	1	
011	90014-952-000	BOLT, FLANGE, 6X14 (CT200)	6	
012	91202-KJ9-003	OIL SEAL, 20X32X6	1	
013	93500-030050A	SCREW, PAN, 3X5	1	
<u>Ref</u>	<u>Partnumber</u>	<u>Description</u>	<u>GX100</u>	<u>Serial Numbers</u>
014	98056-55757	PLUG, SPARK (U16FSR-UB)	1	
014	98056-55777	PLUG, SPARK (CR5HSB)	1	
014	98056-55777	PLUG, SPARK (CR5HSB)	1	



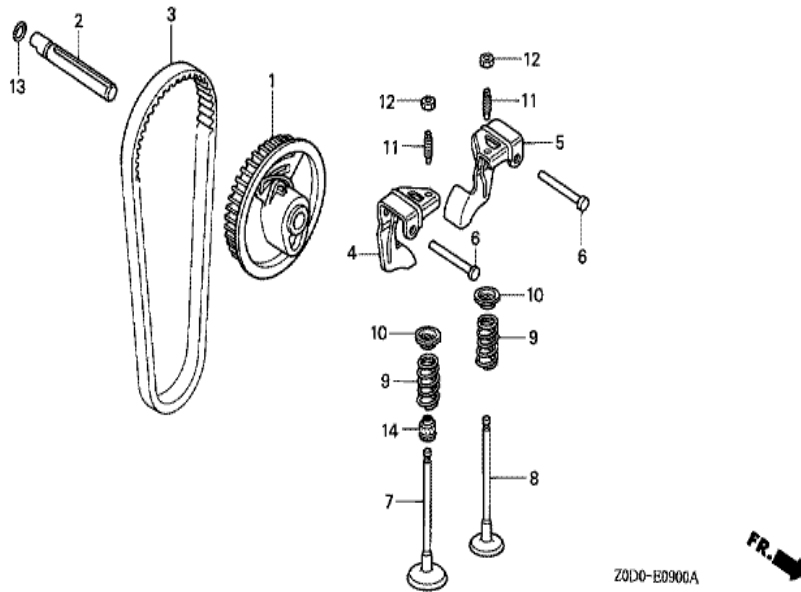
<u>Ref</u>	<u>Partnumber</u>	<u>Description</u>	<u>GX100</u>	<u>Serial Numbers</u>
001	11300-Z0D-407	COVER ASSY., CRANKCASE	1	
001	11300-Z0D-407	COVER ASSY., CRANKCASE	1	
002	12351-Z0D-000	BED, ENGINE	1	
003	15600-ZM7-003	CAP ASSY., OIL FILLER	1	
003	15600-ZM7-003	CAP ASSY., OIL FILLER	2	
004	15625-ZE1-003	PACKING, OIL FILLER CAP	1	
004	15625-ZE1-003	PACKING, OIL FILLER CAP	2	
005	16510-ZL8-000	GOVERNOR ASSY.	1	
005	16510-ZL8-000	GOVERNOR ASSY.	1	
009	16531-ZE1-000	SLIDER, GOVERNOR	1	
010	16541-Z0D-000	SHAFT, GOVERNOR ARM	1	
011	90121-952-000	BOLT, FLANGE, 6X25 (CT200)	8	
012	90131-ZE1-000	BOLT, DRAIN PLUG	1	
<u>Ref</u>	<u>Partnumber</u>	<u>Description</u>	<u>GX100</u>	<u>Serial Numbers</u>
012	90131-ZE1-000	BOLT, DRAIN PLUG	2	
013	90451-ZE1-000	WASHER, THRUST, 6MM	1	
014	90601-ZE1-000	WASHER, DRAIN PLUG, 10.2MM	1	
014	90601-ZE1-000	WASHER, DRAIN PLUG, 10.2MM	2	
015	90602-ZE1-000	CLIP, GOVERNOR HOLDER	1	
016	91202-KJ9-003	OIL SEAL, 20X32X6	1	
017	94101-06800	WASHER, PLAIN, 6MM	2	
018	94251-08000	PIN, LOCK, 8MM	1	
019	94301-08200	DOWEL PIN, 8X20	2	
020	95701-0802500	BOLT, FLANGE, 8X25	4	
020	95701-0802500	BOLT, FLANGE, 8X25	4	
021	96100-6204000	BEARING, RADIAL BALL, 6204	1	



Ref	Partnumber	Description	GX100	Serial Numbers
004	13310-Z0D-910	CRANKSHAFT COMP.	1	
006	96100-6204000	BEARING, RADIAL BALL, 6204	1	
006	96100-6204000	BEARING, RADIAL BALL, 6204	1	



Ref	Partnumber	Description	GX100	Serial Numbers
001	13010-ZOD-003	RING SET, PISTON	1	
002	13101-ZOD-000	PISTON	1	
003	13111-ZE0-000	PIN, PISTON	1	
004	13200-ZOD-000	ROD ASSY., CONNECTING	1	
004	13200-ZOD-305	ROD ASSY., CONNECTING (UNDER SIZE)	(1)	
004	13200-ZOD-305	ROD ASSY., CONNECTING (UNDER SIZE)	(1)	
005	90001-ZM7-000	BOLT, CONNECTING ROD	2	
006	90551-ZE0-000	CLIP, PISTON PIN, 13MM	2	



Z0D0-E0900A

FR. →

<u>Ref</u>	<u>Partnumber</u>	<u>Description</u>	<u>GX100</u>	<u>Serial Numbers</u>
001	14320-Z0D-010	PULLEY COMP., CAMSHAFT	1	
002	14324-Z0D-000	SHAFT, CAM PULLEY	1	
003	14400-Z0D-003	BELT, TIMING (61YU7 G-200)	1	
004	14431-Z0D-000	ARM, IN. VALVE ROCKER	1	
005	14441-Z0D-000	ARM, EX. VALVE ROCKER	1	
006	14461-ZL8-000	SHAFT, ROCKER ARM	2	
007	14711-Z0D-000	VALVE, IN.	1	
008	14721-Z0D-000	VALVE, EX.	1	
009	14751-Z0D-000	SPRING, VALVE	2	
010	14771-ZM3-010	RETAINER, VALVE SPRING	2	
011	90012-333-000	SCREW, TAPPET ADJUSTING	2	
012	90206-001-000	NUT, TAPPET ADJUSTING	2	
013	91301-ZM0-V31	O-RING, 6.8X1.9 (ARAI)	1	
<u>Ref</u>	<u>Partnumber</u>	<u>Description</u>	<u>GX100</u>	<u>Serial Numbers</u>
014	12209-KT7-013	SEAL, VALVE STEM	1	