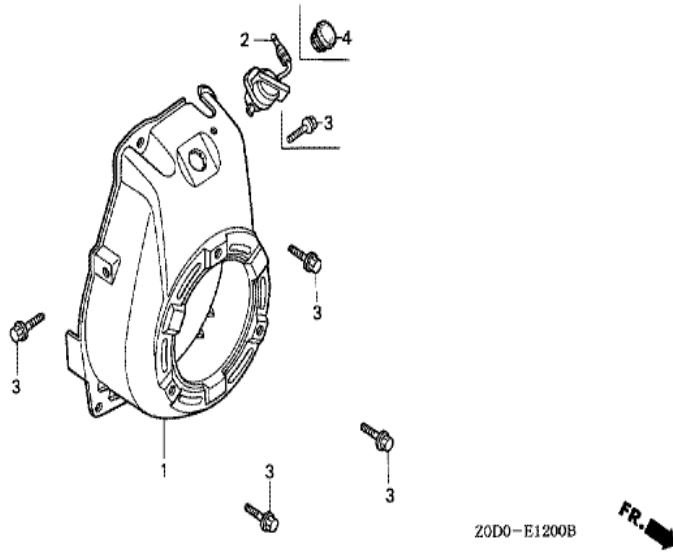
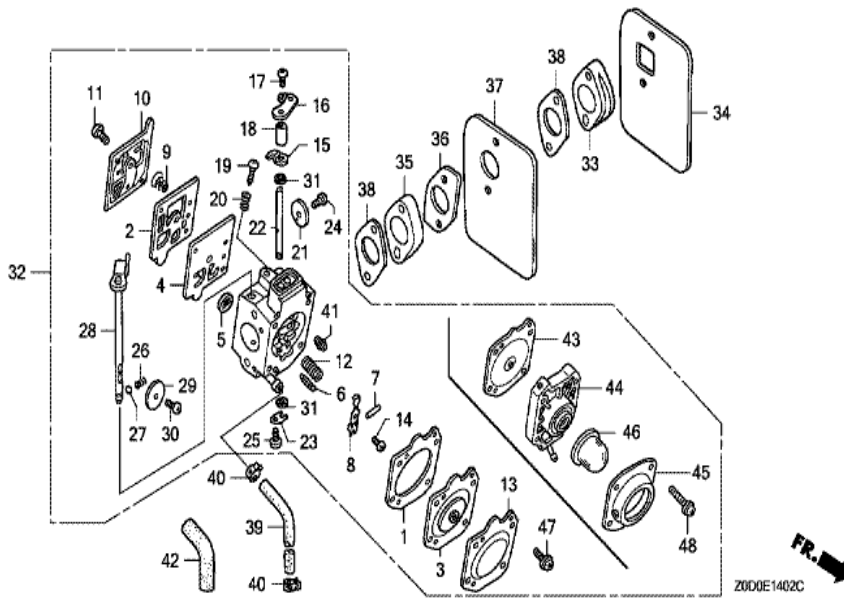


Ref	Partnumber	Description	GX100	Serial Numbers
001	28400-ZOD-V02ZA	STARTER ASSY., RECOIL *NH1 *	1	
002	28410-ZOD-V02ZA	CASE COMP., RECOIL STARTER *NH1*	1	
003	28421-ZOD-V02	REEL, RECOIL STARTER	1	
004	28422-ZG0-W02	RATCHET, STARTER	2	
005	28433-ZG0-W02	GUIDE, RATCHET	1	
006	28441-ZW6-003	SPRING, FRICTION	1	
007	28442-ZH8-003	SPRING, RECOIL STARTER	1	
008	28461-ZH8-003	GRIP, STARTER	1	
009	28462-ZOD-V02	ROPE, RECOIL STARTER	1	
010	28467-ZOD-V02	PLATE, SIDE	1	
011	28468-ZOD-V02	PLATE, SLIDE	1	
012	90003-ZH8-003	SCREW, SETTING	1	
013	95701-0600800	BOLT, FLANGE, 6X8	3	

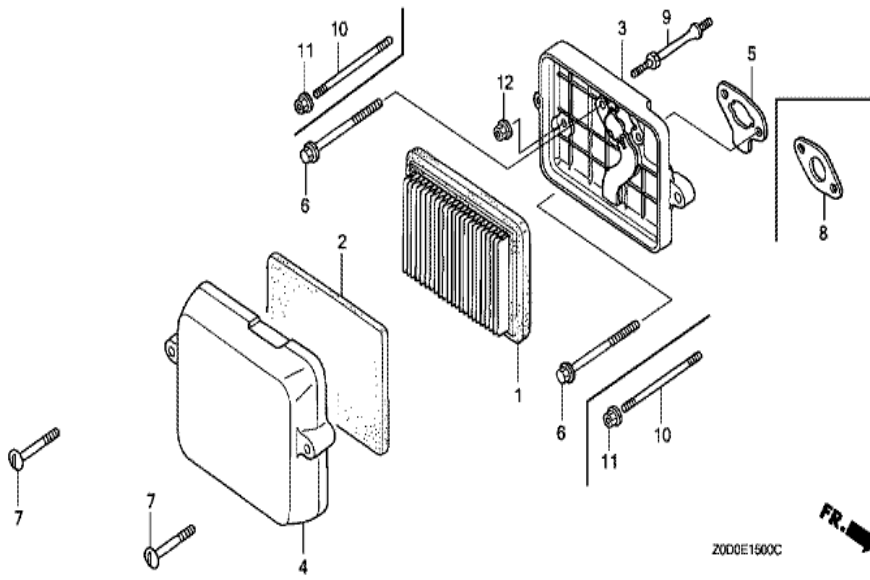


Ref	Partnumber	Description	GX100	Serial Numbers
001	19610-Z0D-V00ZB	COVER COMP., FAN *NH1 *	1	
001	19610-Z0D-V00ZB	COVER COMP., FAN *NH1 *	1	
003	90014-952-000	BOLT, FLANGE, 6X14 (CT200)	4	
004	81329-567-020	GROMMET, DRAIN HOLE	1	

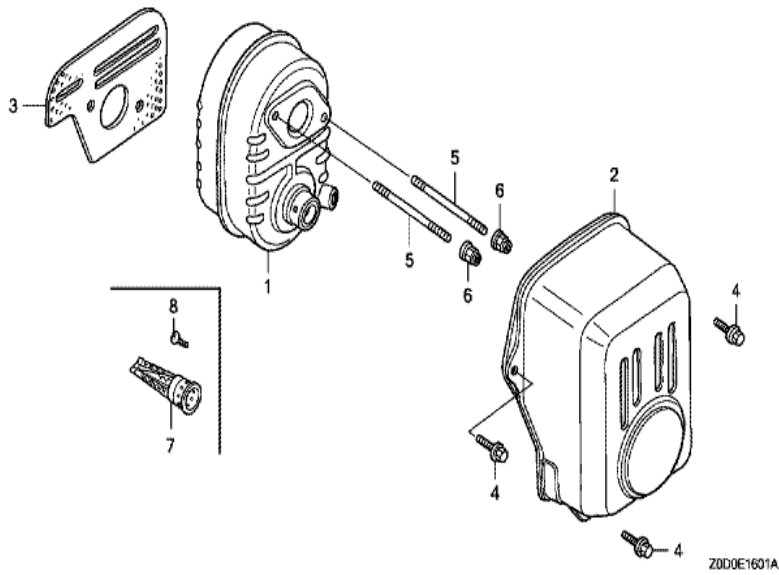


Ref	Partnumber	Description	GX100	Serial Numbers
001	16010-ZOD-V02	GASKET, METERING DIAPHRAGM	1	
002	16011-ZOD-V02	GASKET, PUMP	1	
003	16013-ZOD-V02	DIAPHRAGM ASSY., METERING	1	
004	16014-ZOD-V02	DIAPHRAGM, PUMP	1	
005	16018-ZM3-004	SCREEN, INLET	1	
006	16019-ZM3-004	VALVE, INLET NEEDLE	1	
007	16022-ZM3-014	PIN, METERING LEVER	1	
008	16023-ZOD-V02	LEVER, METERING	1	
009	16030-ZM3-004	SPRING, PUMP	1	
010	16040-ZOD-V02	COVER, PUMP	1	
011	16041-ZOD-V02	SCREW	1	
012	16042-ZOD-V02	SPRING	1	
013	16043-ZOD-V02	COVER, METERING DIAPHRAGM	1	

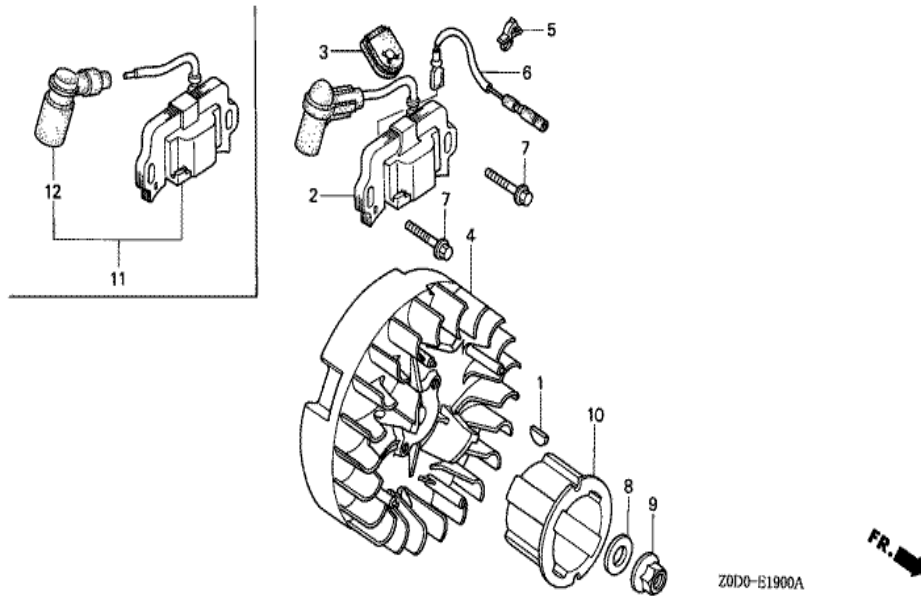
<u>Ref</u>	<u>Partnumber</u>	<u>Description</u>	<u>GX100</u>	<u>Serial Numbers</u>
014	16044-Z0D-V02	SCREW	1	
015	16045-Z0D-V02	STOPPER, THROTTLE LEVER	1	
016	16046-Z0D-V72	LEVER, THROTTLE	1	HDA206B
016	16046-Z0D-V72	LEVER, THROTTLE	1	HDA206B
016	16046-Z0D-V73	LEVER, THROTTLE	1	HDA206C
016	16046-Z0D-V73	LEVER, THROTTLE	1	HDA206C
017	16054-Z0D-V02	SCREW, VALVE	1	
017	16054-Z0D-V02	SCREW, VALVE	1	
018	16048-Z0D-V02	SPACER, THROTTLE LEVER	1	
019	16049-Z0D-V02	SCREW, IDLE ADJUSTING	1	
020	16050-Z0D-V02	SPRING	1	
021	16051-Z0D-V02	VALVE, THROTTLE	1	
022	16052-Z0D-V02	SHAFT, THROTTLE	1	
023	16053-Z0D-V02	CLIP, THROTTLE SHAFT	1	
024	16054-Z0D-V02	SCREW, VALVE	1	
025	16055-Z0D-V02	SCREW ASSY.	1	
025	16055-Z0D-V02	SCREW ASSY.	1	
026	16056-Z0D-V02	SPRING	1	
027	16057-Z0D-V02	BALL	1	
028	16058-Z0D-V72	SHAFT ASSY., CHOKE	1	HDA234C
028	16058-Z0D-V72	SHAFT ASSY., CHOKE	1	
029	16059-Z0D-V02	VALVE, CHOKE	1	
029	16059-Z0D-V02	VALVE, CHOKE	1	HDA 206A
029	16059-Z0D-V03	VALVE, CHOKE	1	HDA 206B
029	16059-Z0D-V03	VALVE, CHOKE	1	HDA 206B
030	16060-Z0D-V02	SCREW	1	
031	16061-Z0D-V02	SEAL, DUST	2	
032	16100-Z0D-V72	CARBURETOR ASSY. (HDA 206A)	1	1317056
032	16100-Z0D-V72	CARBURETOR ASSY. (HDA 206A)	1	1317056
032	16100-Z0D-V73	CARBURETOR ASSY. (HDA 206A)	1	1317057 1435461
032	16100-Z0D-V73	CARBURETOR ASSY. (HDA 206A)	1	1317057 1435461
032	16100-Z0D-V74	CARBURETOR ASSY. (HDA 206B)	1	1435462
032	16100-Z0D-V74	CARBURETOR ASSY. (HDA 206B)	1	1435462
<u>Ref</u>	<u>Partnumber</u>	<u>Description</u>	<u>GX100</u>	<u>Serial Numbers</u>
033	16211-Z0D-V00	INSULATOR, CARBURETOR	1	
034	16212-Z0D-V00	PACKING, INSULATOR	1	
035	16213-Z0D-V00	INSULATOR B, CARBURETOR	1	
036	16214-Z0D-V00	PACKING B, INSULATOR	1	
037	16215-Z0D-V00	PLATE, INSULATOR	1	
038	16221-Z0D-V00	PACKING, CARBURETOR	2	
041	99101-Z0D0500	JET (#50)	(1)	
041	99101-Z0D0520	JET (#52)	(1)	
041	99101-Z0D0520	JET (#52)	(1)	
041	99101-Z0D0540	JET (#54)	1	
041	99101-Z0D0540	JET (#54)	1	
047	16055-Z0D-V02	SCREW ASSY.	4	



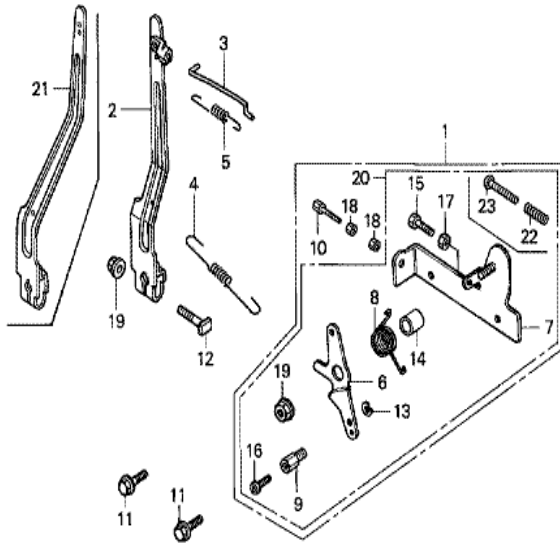
Ref	Partnumber	Description	GX100	Serial Numbers
008	17228-Z0D-V01	PACKING, AIR CLEANER	1	
010	90042-Z0D-V70	BOLT, STUD, 5X91 (CT200)	2	
010	90042-Z0D-V70	BOLT, STUD, 5X91 (CT200)	2	
011	94050-05000	NUT, FLANGE, 5MM	2	



Ref	Partnumber	Description	GX100	Serial Numbers
001	18310-Z0D-V20	MUFFLER COMP.	1	
002	18321-Z0D-V20	PROTECTOR, MUFFLER	1	
002	18321-Z0D-V20	PROTECTOR, MUFFLER	1	
003	18381-Z0D-000	GASKET, MUFFLER	1	
004	90014-952-000	BOLT, FLANGE, 6X14 (CT200)	3	
005	90048-Z0D-V00	BOLT, STUD, 6X78 (CT200)	2	
005	90048-Z0D-V00	BOLT, STUD, 6X78 (CT200)	2	
006	90343-ZE6-000	NUT, SELF-LOCK, 6MM	2	



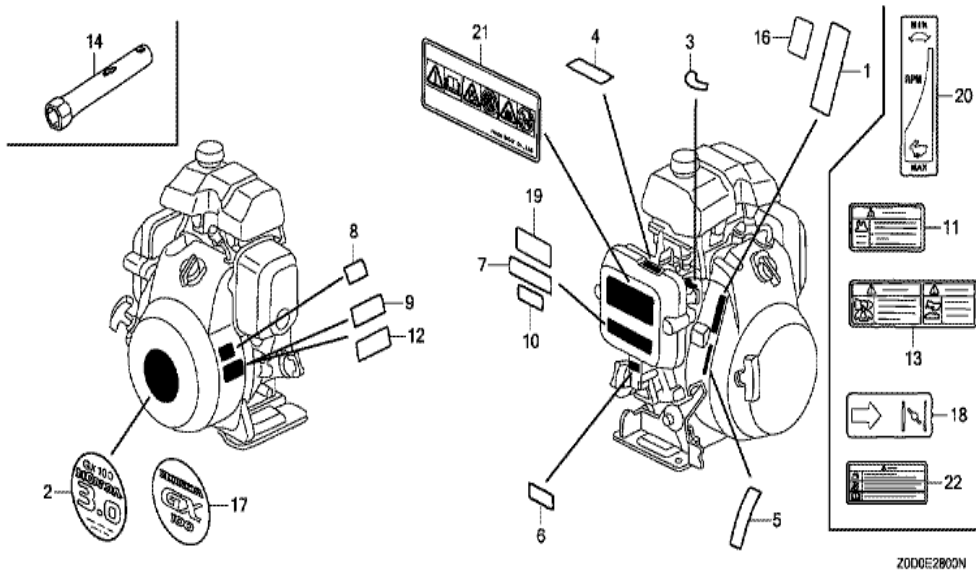
Ref	Partnumber	Description	GX100	Serial Numbers
001	13331-ZM7-000	KEY, SPECIAL	1	
003	30564-ZA5-000	GROMMET, CORD	1	
004	31110-Z0D-003	FLYWHEEL COMP.	1	
005	30701-883-000	CLIP, HIGH TENSION CORD (8MM)	1	
006	32195-Z0D-000	CORD, STOP SWITCH	1	
007	90022-888-010	BOLT, FLANGE, 6X20 (CT200)	2	
009	94050-12000	NUT, FLANGE, 12MM	1	
010	28451-Z0D-V02	PULLEY, STARTER	1	
011	30500-Z0D-V01	COIL ASSY., IGNITION	1	
011	30500-Z0D-V01	COIL ASSY., IGNITION	1	1418616
011	30500-Z0D-V02	COIL ASSY., IGNITION	1	1418617
011	30500-Z0D-V02	COIL ASSY., IGNITION	1	1418617
012	30700-Z0D-V01	TERMINAL ASSY., HIGH TENSION	1	



Z0D0-E2202C

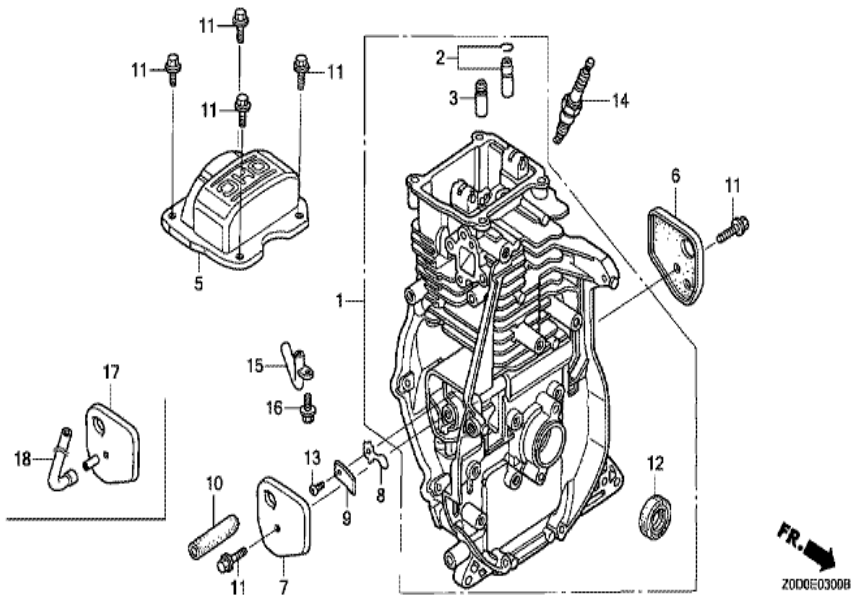


<u>Ref</u>	<u>Partnumber</u>	<u>Description</u>	<u>GX100</u>	<u>Serial Numbers</u>
002	16550-Z0D-V01	ARM COMP., GOVERNOR	1	1186902
002	16550-Z0D-V01	ARM COMP., GOVERNOR	1	
003	16555-Z0D-V00	ROD, GOVERNOR	1	
003	16555-Z0D-V00	ROD, GOVERNOR	1	
004	16561-Z0D-V00	SPRING, GOVERNOR	1	
005	16562-Z0D-V00	SPRING, THROTTLE RETURN	1	
005	16562-Z0D-V00	SPRING, THROTTLE RETURN	1	
006	16571-ZG0-810	LEVER, CONTROL (REMOTE)	1	
007	16572-ZG0-810	BASE COMP., CONTROL (REMOTE)	1	
008	16575-Z0D-V70	SPRING, CONTROL LEVER RETURN	1	
009	16594-883-010	HOLDER, WIRE	1	
011	90014-952-000	BOLT, FLANGE, 6X14 (CT200)	2	
012	90015-ZE5-010	BOLT, GOVERNOR ARM	1	
<u>Ref</u>	<u>Partnumber</u>	<u>Description</u>	<u>GX100</u>	<u>Serial Numbers</u>
013	90605-230-000	CIRCLIP, 5MM	1	
014	91552-ZG0-810	COLLAR, CONTROL LEVER	1	
015	92301-050200A	BOLT, RECESSED, 5X20	1	
016	93500-040060H	SCREW, PAN, 4X6	1	
017	94001-05000	NUT, HEX., 5MM	1	
019	94050-06000	NUT, FLANGE, 6MM	2	
020	16500-Z0D-V70	CONTROL ASSY. (BOMAG)	1	

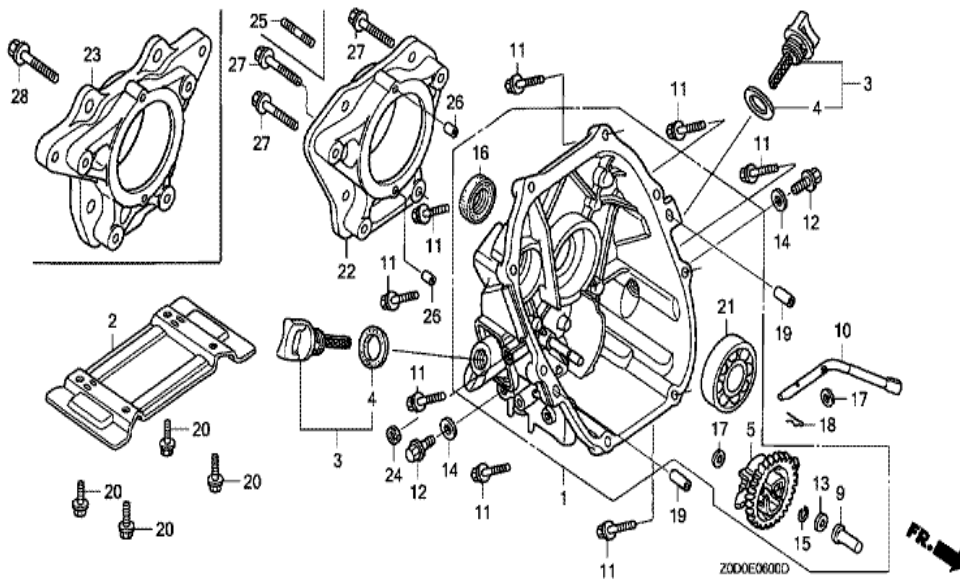


Z0D0E2800N

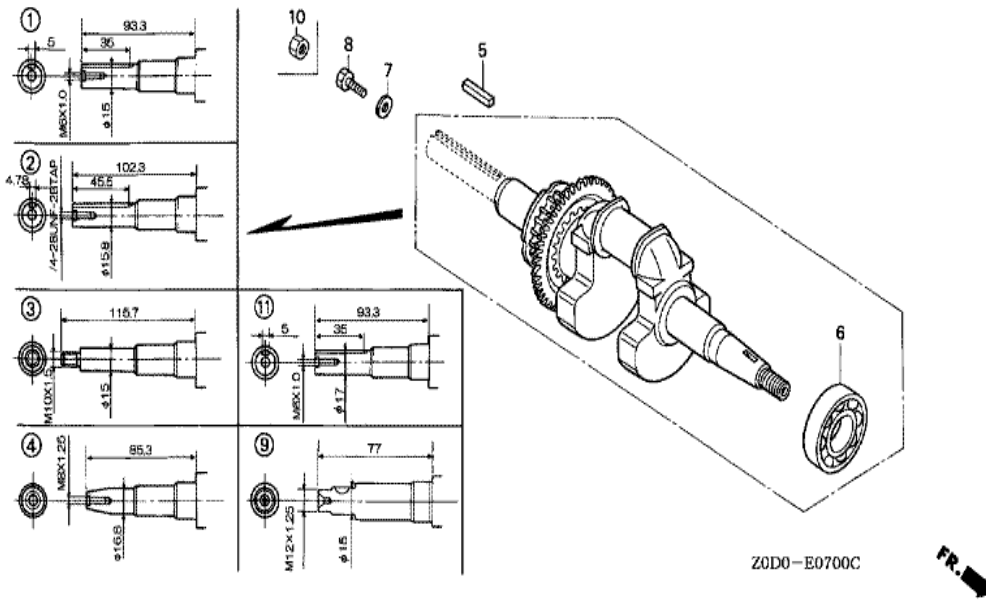
Ref	Partnumber	Description	GX100	Serial Numbers
002	87521-Z0D-V01	EMBLEM (RAMMA) (GX100 3.0)	1	
002	87521-Z0D-V01	EMBLEM (RAMMA) (GX100 3.0)	1	
004	87528-Z0D-000	MARK, CHOKE INDICATION	1	
006	87601-Z0D-V70	MARK, TYPE (KRG)	1	
006	87601-Z0D-V70	MARK, TYPE (KRG)	1	
014	89216-130-690	WRENCH, SPARK PLUG	1	



<u>Ref</u>	<u>Partnumber</u>	<u>Description</u>	<u>GX100</u>	<u>Serial Numbers</u>
001	12000-Z0D-405	BARREL ASSY., CYLINDER	1	
002	12201-Z0D-305	GUIDE ASSY., EX. VALVE (O.S.)	(1)	
003	12204-Z0D-305	GUIDE, IN. VALVE (O.S.)	(1)	
005	12311-Z0D-000	COVER, HEAD	1	
006	12355-Z0D-000	COVER COMP. A, BREATHER	1	
007	12365-Z0D-000	COVER COMP. B, BREATHER	1	
008	15571-Z0D-V71	VALVE, OIL OUTLET	1	
009	15572-ZM7-000	PLATE, STOPPER	1	
010	15721-Z0D-V70	TUBE, BREATHER (BOMAG)	1	
011	90014-952-000	BOLT, FLANGE, 6X14 (CT200)	6	
012	91202-KJ9-003	OIL SEAL, 20X32X6	1	
013	93500-030050A	SCREW, PAN, 3X5	1	
014	98056-55757	PLUG, SPARK (U16FSR-UB)	1	
<u>Ref</u>	<u>Partnumber</u>	<u>Description</u>	<u>GX100</u>	<u>Serial Numbers</u>
014	98056-55777	PLUG, SPARK (CR5HSB)	1	
014	98056-55777	PLUG, SPARK (CR5HSB)	1	
015	15171-Z0D-V00	PIPE, BREATHER	1	
016	90008-ZM7-000	BOLT, 4X10	1	



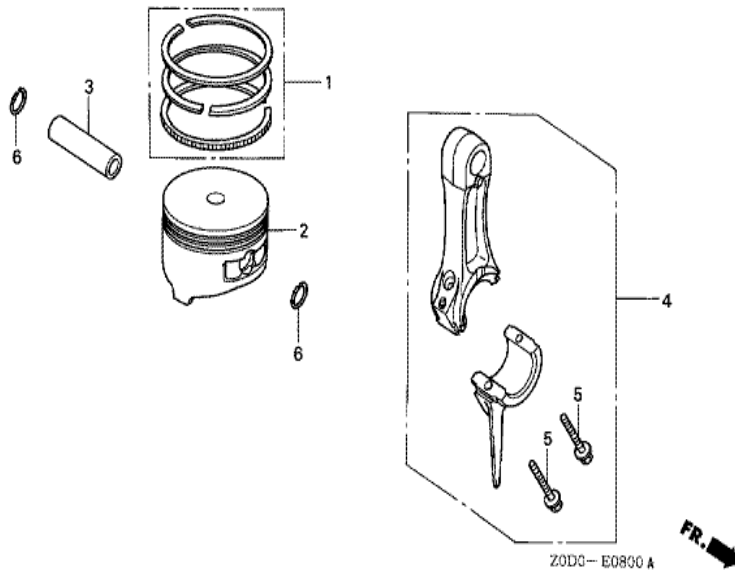
<u>Ref</u>	<u>Partnumber</u>	<u>Description</u>	<u>GX100</u>	<u>Serial Numbers</u>
001	11300-Z0D-Q00	COVER ASSY., CRANKCASE	1	
001	11300-Z0D-Q00	COVER ASSY., CRANKCASE	1	
003	15600-ZM7-003	CAP ASSY., OIL FILLER	1	
004	15625-ZE1-003	PACKING, OIL FILLER CAP	1	
005	16510-ZL8-000	GOVERNOR ASSY.	1	
005	16510-ZL8-000	GOVERNOR ASSY.	1	
009	16531-ZE1-000	SLIDER, GOVERNOR	1	
010	16541-Z0D-000	SHAFT, GOVERNOR ARM	1	
011	90121-952-000	BOLT, FLANGE, 6X25 (CT200)	8	
012	90131-ZE1-000	BOLT, DRAIN PLUG	1	
013	90451-ZE1-000	WASHER, THRUST, 6MM	1	
014	90601-ZE1-000	WASHER, DRAIN PLUG, 10.2MM	1	
015	90602-ZE1-000	CLIP, GOVERNOR HOLDER	1	
<u>Ref</u>	<u>Partnumber</u>	<u>Description</u>	<u>GX100</u>	<u>Serial Numbers</u>
016	91202-KJ9-003	OIL SEAL, 20X32X6	1	
017	94101-06800	WASHER, PLAIN, 6MM	2	
018	94251-08000	PIN, LOCK, 8MM	1	
019	94301-08200	DOWEL PIN, 8X20	2	
021	96100-6204000	BEARING, RADIAL BALL, 6204	1	
024	91231-891-003	OIL SEAL, 6X11X4 (ARAI)	1	



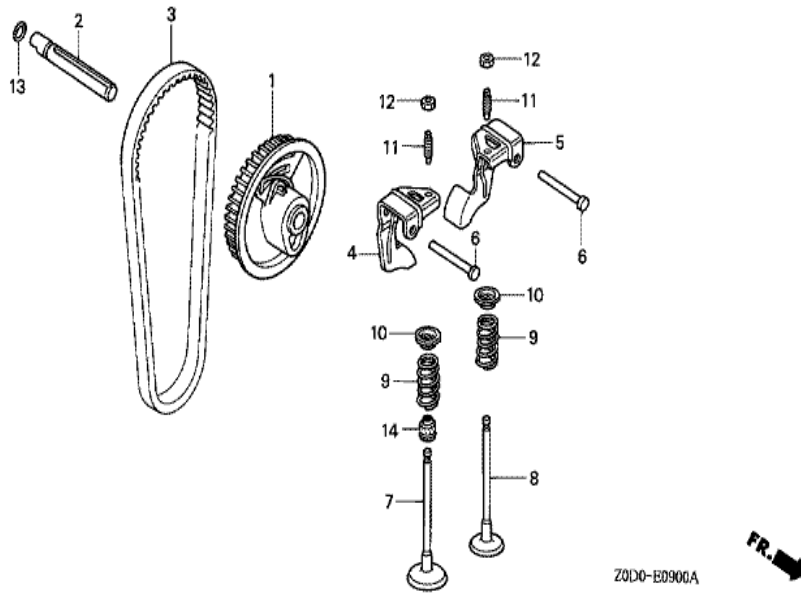
Z0D0-E0700C



Ref	Partnumber	Description	GX100	Serial Numbers
004	13310-Z0D-V70	CRANKSHAFT COMP.	1	
006	91001-Z0D-V01	BEARING, RADIAL BALL, 6204C	1	
006	91001-Z0D-V01	BEARING, RADIAL BALL, 6204C	1	



Ref	Partnumber	Description	GX100	Serial Numbers
001	13010-ZOD-003	RING SET, PISTON	1	
002	13101-ZOD-000	PISTON	1	
003	13111-ZE0-000	PIN, PISTON	1	
004	13200-ZOD-000	ROD ASSY., CONNECTING	1	
004	13200-ZOD-305	ROD ASSY., CONNECTING (UNDER SIZE)	(1)	
004	13200-ZOD-305	ROD ASSY., CONNECTING (UNDER SIZE)	(1)	
005	90001-ZM7-000	BOLT, CONNECTING ROD	2	
006	90551-ZE0-000	CLIP, PISTON PIN, 13MM	2	



<u>Ref</u>	<u>Partnumber</u>	<u>Description</u>	<u>GX100</u>	<u>Serial Numbers</u>
001	14320-ZOD-010	PULLEY COMP., CAMSHAFT	1	
002	14324-ZOD-000	SHAFT, CAM PULLEY	1	
003	14400-ZOD-003	BELT, TIMING (61YU7 G-200)	1	
004	14431-ZOD-000	ARM, IN. VALVE ROCKER	1	
005	14441-ZOD-000	ARM, EX. VALVE ROCKER	1	
006	14461-ZL8-000	SHAFT, ROCKER ARM	2	
007	14711-ZOD-000	VALVE, IN.	1	
008	14721-ZOD-000	VALVE, EX.	1	
009	14751-ZOD-000	SPRING, VALVE	2	
010	14771-ZM3-010	RETAINER, VALVE SPRING	2	
011	90012-333-000	SCREW, TAPPET ADJUSTING	2	
012	90206-001-000	NUT, TAPPET ADJUSTING	2	
013	91301-ZM0-V31	O-RING, 6.8X1.9 (ARAI)	1	
<u>Ref</u>	<u>Partnumber</u>	<u>Description</u>	<u>GX100</u>	<u>Serial Numbers</u>
014	12209-KT7-013	SEAL, VALVE STEM	1	