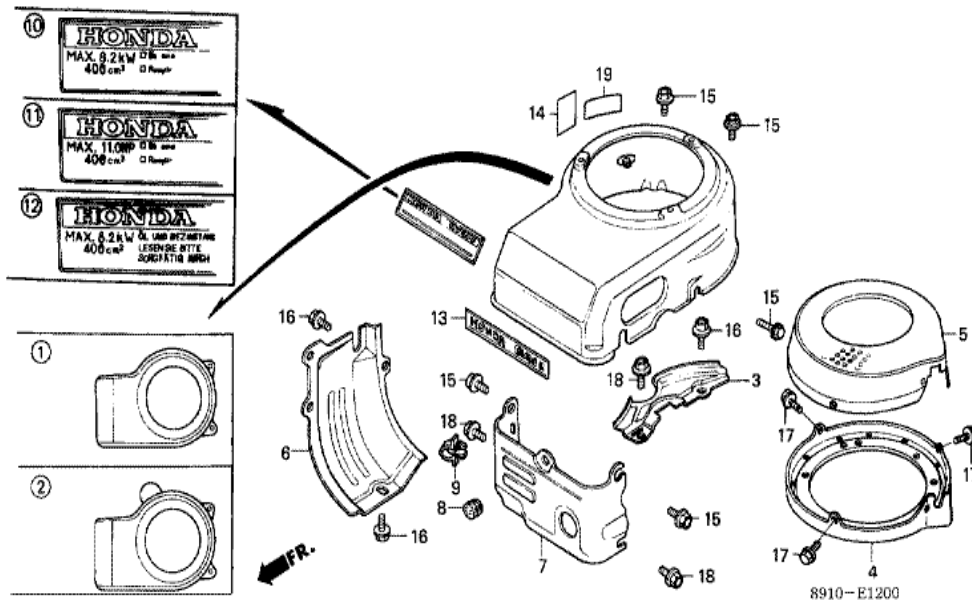
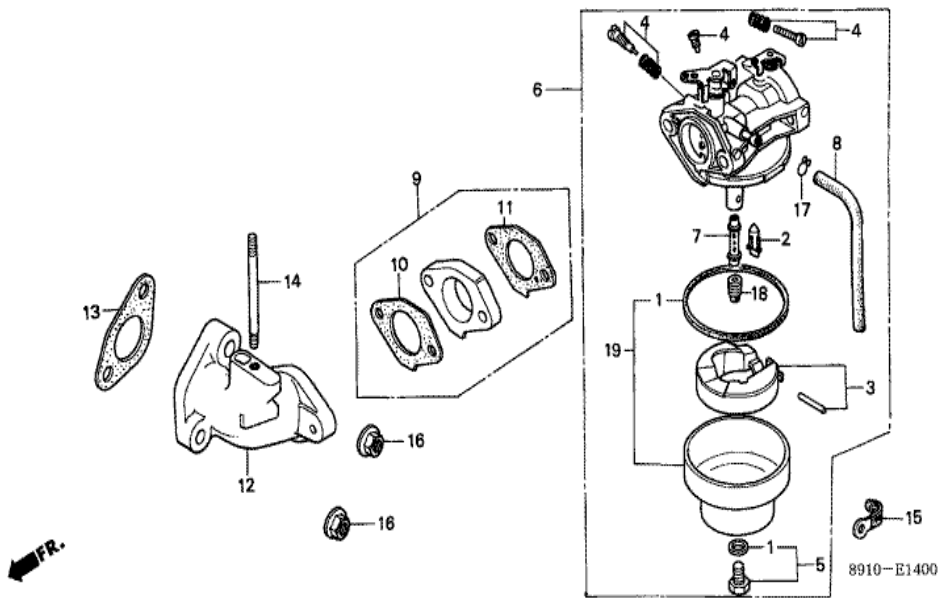


Ref	Partnumber	Description	GV400K1	Serial Numbers
024	95701-0600800	BOLT, FLANGE, 6X8	(3)	

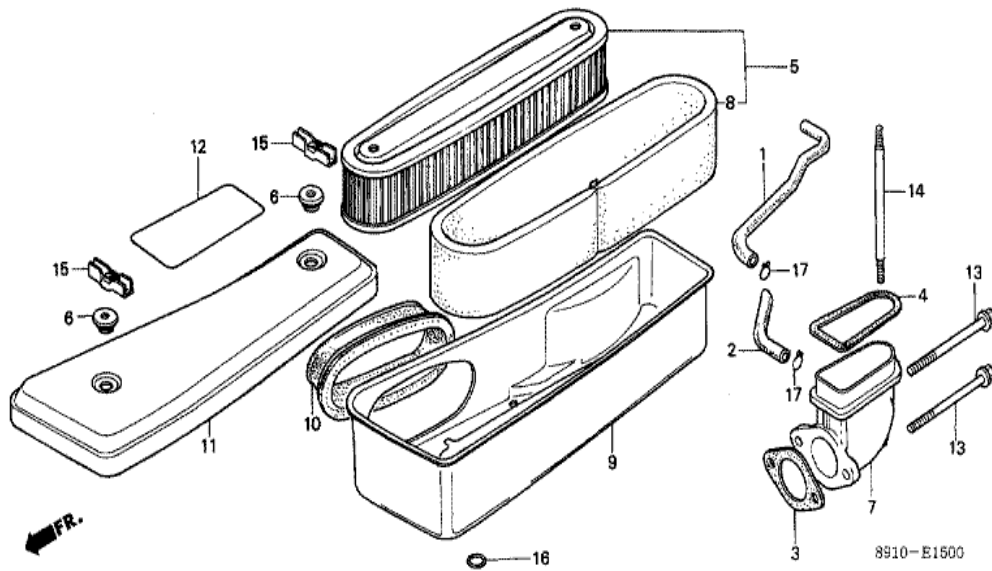


Ref	Partnumber	Description	GV400K1	Serial Numbers
002	19610-891-641H	COVER COMP., FAN	(1)	
003	19611-891-010	PLATE, SIDE	1	
004	19620-891-810	BASE, LAWN COVER	(1)	
005	19630-891-810	COVER, LAWN	(1)	
006	19631-891-000	SHROUD	1	
007	19641-891-000	COVER, TOP	1	
008	19643-883-010	GROMMET, TOP COVER	1	
009	30701-883-000	CLIP, HIGH TENSION CORD (8MM)	1	
011	87521-891-641	EMBLEM (HP)	(1)	
014	87594-888-000	MARK, OIL CAUTION	1	
015	90013-883-000	BOLT, FLANGE, 6X12 (CT200)	5	
016	90061-161-000	BOLT, FLANGE, 6X16	3	
017	95701-0600800	BOLT, FLANGE, 6X8	(3)	
Ref	Partnumber	Description	GV400K1	Serial Numbers
018	95700-0601208	BOLT, FLANGE, 6X12	3	

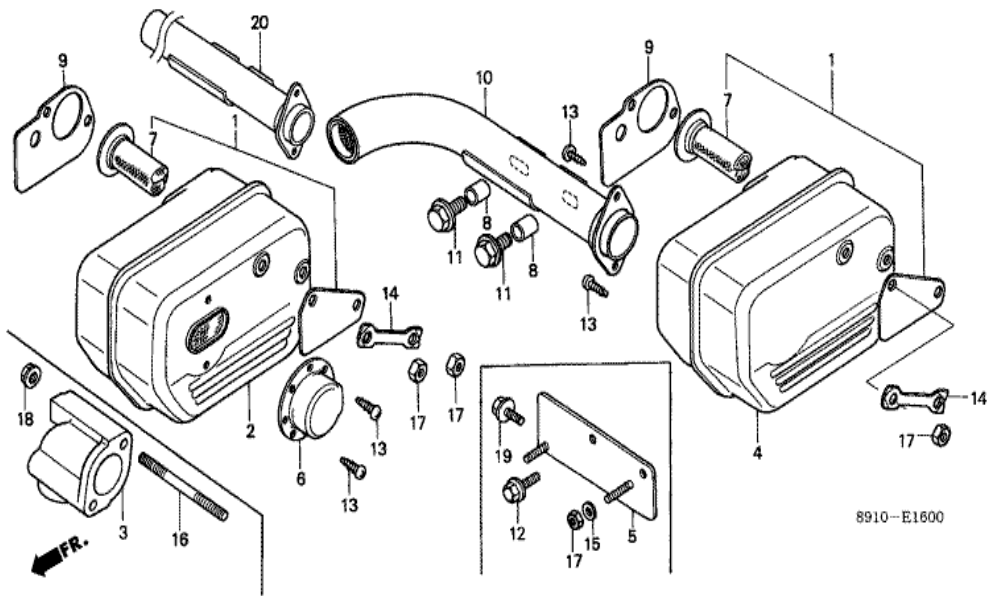


Ref	Partnumber	Description	GV400K1	Serial Numbers
001	16010-883-005	PACKING SET	1	BB38A G
001	16010-883-015	PACKING SET	1	BB38A H
002	16011-382-004	VALVE SET, FLOAT	1	
003	16013-890-005	FLOAT SET	1	BB38A C
003	16013-890-015	FLOAT SET	1	BB38A D
004	16016-888-005	SCREW SET A	1	BB38A G
004	16016-894-005	SCREW SET A	1	BB38A H
005	16028-883-005	SCREW SET B	1	
005	16028-ZE0-005	SCREW SET	1	
006	16100-891-023	CARBURETOR ASSY. (BB38A C)	1	2009552
006	16100-891-033	CARBURETOR ASSY. (BB38A D)	1	2009553 2010533
006	16100-891-043	CARBURETOR ASSY. (BB38A E)	1	2010534 2013779
006	16100-891-073	CARBURETOR ASSY. (BB38A H)	1	2013780

<u>Ref</u>	<u>Partnumber</u>	<u>Description</u>	<u>GV400K1</u>	<u>Serial Numbers</u>
007	16166-890-005	NOZZLE, MAIN	1	
008	16199-891-003	TUBE, AIR VENT FUEL	1	BB38A D
009	16210-891-000	INSULATOR COMP., CARBURETOR	1	
010	16212-891-300	PACKING, INSULATOR	1	
011	16221-891-300	PACKING, CARBURETOR	1	
012	16224-891-315	MANIFOLD, INTAKE	1	
013	16226-891-000	PACKING, INTAKE MANIFOLD	1	
014	90048-891-000	BOLT, STUD, 6X87	1	
015	91410-679-000	CLIP, 2X60	1	2013780
016	94050-08000	NUT, FLANGE, 8MM	2	
017	95002-02070	CLIP, TUBE (B7)	1	
018	99101-1240920	JET, MAIN, #92	(1)	
018	99101-1240950	JET, MAIN, #95	(1)	
018	99101-1240980	JET, MAIN, #98	(1)	
018	99101-1241000	JET, MAIN, #100	(1)	
018	99101-1241020	JET, MAIN, #102	(1)	
018	99101-1241050	JET, MAIN, #105	1	
019	16015-891-003	CHAMBER SET, FLOAT	1	BB38A H
019	16015-896-701	CHAMBER SET, FLOAT	1	BB38A G

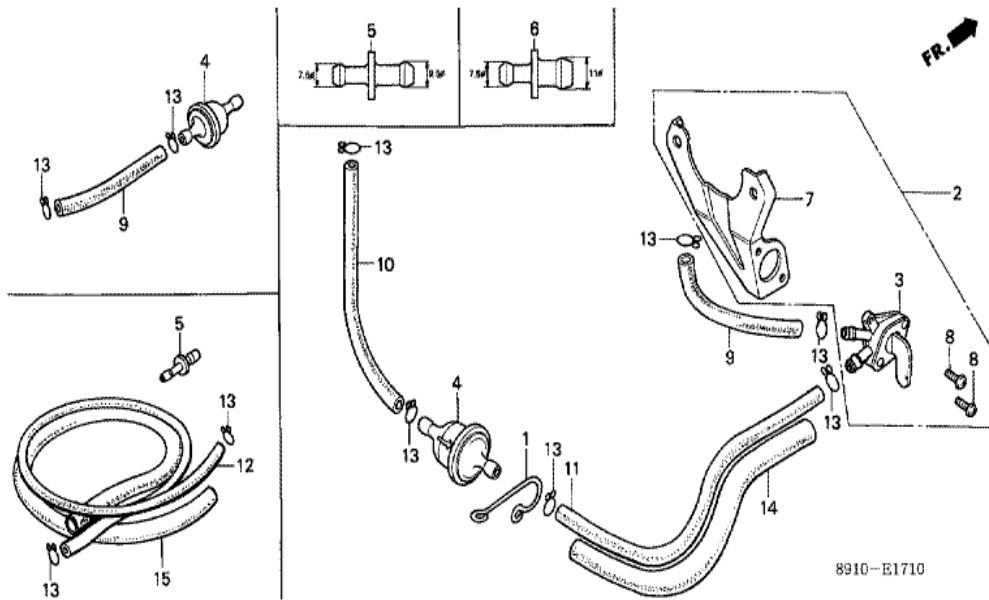


<u>Ref</u>	<u>Partnumber</u>	<u>Description</u>	<u>GV400K1</u>	<u>Serial Numbers</u>
002	15721-891-020	TUBE, BREATHER	1	
003	16269-890-000	PACKING, AIR CLEANER	1	
004	16271-891-010	PACKING, AIR CLEANER ELBOW	1	
005	17211-891-004	ELEMENT COMP., AIR CLEANER	1	
006	17232-891-000	GROMMET, AIR CLEANER	2	
007	17214-891-305	ELBOW, AIR CLEANER	1	
008	17218-891-003	FILTER, OUTER	1	
009	17220-891-010ZA	CASE, AIR CLEANER *NH105 *	1	
010	17225-891-000	INTAKE, AIR	1	
011	17231-891-010ZA	COVER, AIR CLEANER *NH105 *	1	
012	87524-888-671	MARK, AIR CLEANER CAUTION	(1)	
013	90011-891-000	BOLT, FLANGE, 6X93	2	
014	90047-891-000	BOLT, STUD, 6X121	1	
<u>Ref</u>	<u>Partnumber</u>	<u>Description</u>	<u>GV400K1</u>	<u>Serial Numbers</u>
015	90203-611-000	NUT, AIR CLEANER COVER	2	
015	90203-PB2-000	NUT, AIR CLEANER COVER (DACRO COATING)	2	2004571
016	91301-354-000	O-RING, 5.1X2.2	1	
017	95002-02130	CLIP, TUBE (B12.5)	1	1005452

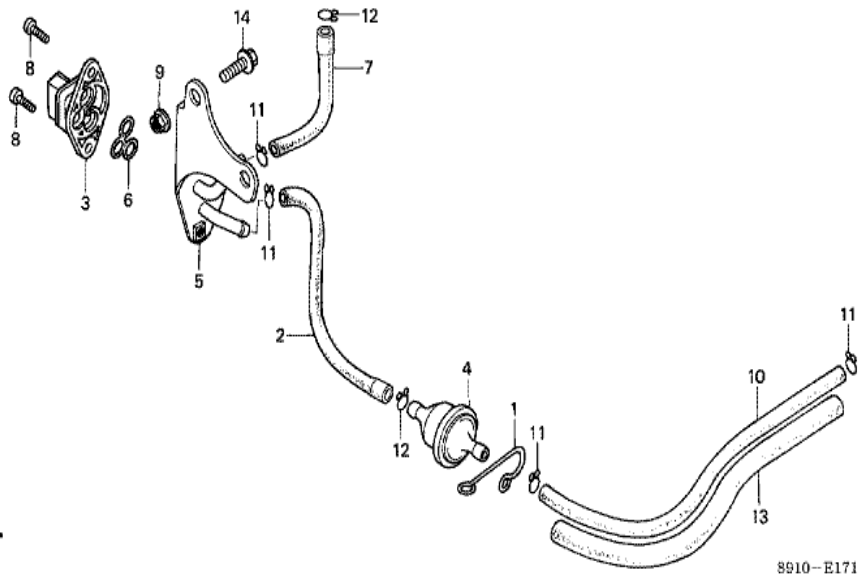


8910-E1600

Ref	Partnumber	Description	GV400K1	Serial Numbers
001	06183-891-000	ARRESTER KIT, SPARK	(1)	
005	18320-891-670	STAY, MUFFLER	(1)	
007	18335-891-000	ARRESTER, SPARK	(1)	
009	18381-891-010	GASKET, MUFFLER	1	
015	90450-147-000	WASHER, THRUST, 8MM	(2)	
017	94001-08000S	NUT, HEX., 8MM	(4)	
019	95700-0801808	BOLT, FLANGE, 8X18	(2)	

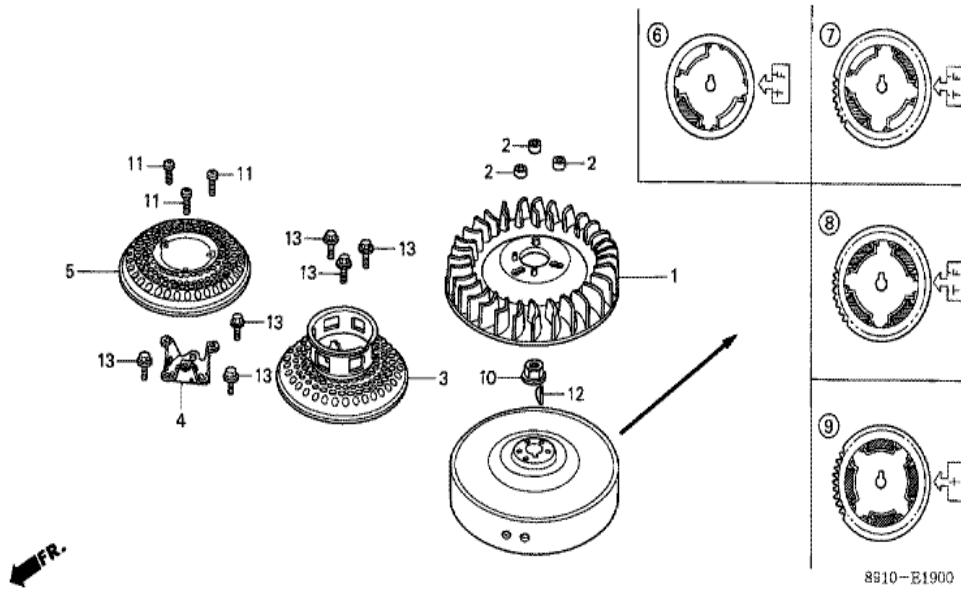


Ref	Partnumber	Description	GV400K1	Serial Numbers
004	16952-891-003	STRAINER, FUEL	(1)	
005	16953-891-670	JOINT, FUEL TUBE	(1)	
006	16953-891-810	JOINT, FUEL TUBE	(1)	
009	95001-5510040	TUBE, FUEL, 5.3X100 (95001-55001-60M)	(1)	
012	95001-5536040	TUBE, FUEL, 5.3X360 (95001-55001-60M)	(1)	
013	95002-02100	CLIP, TUBE (B10)	(6)	
015	95005-1130030	TUBE, 11X300 (95005-11001-30M)	(1)	

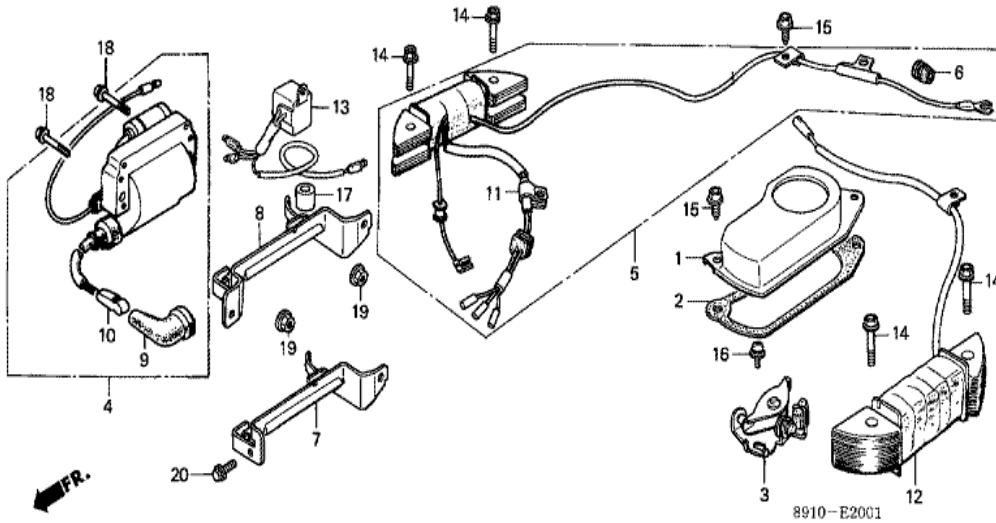


8910-E1712

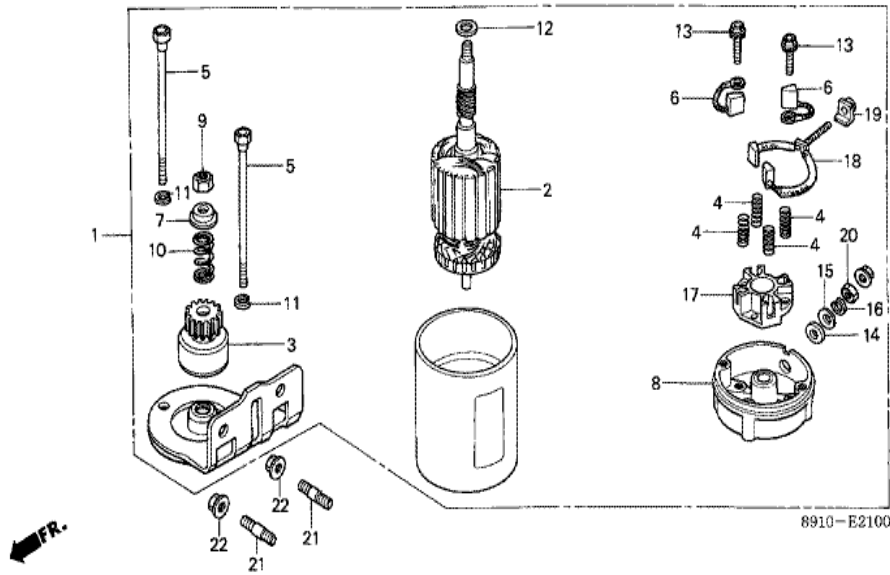
<u>Ref</u>	<u>Partnumber</u>	<u>Description</u>	<u>GV400K1</u>	<u>Serial Numbers</u>
001	16223-891-680	CLAMPER, FUEL TUBE	(1)	2086984
002	16940-MC9-830	TUBE, FUEL TANK	(1)	2086984
003	16950-891-831	COCK ASSY., FUEL	(1)	2086984
004	16952-891-003	STRAINER, FUEL	(1)	2086984
005	16956-891-830	STAY COMP., FUEL COCK	(1)	2086984
006	16958-MB4-005	PACKING	(1)	2086984
007	17512-891-830	TUBE, FUEL, 5.3X105	(1)	2086984
008	93500-060140A	SCREW, PAN, 6X14	(2)	2086984
009	94050-06080	NUT, FLANGE, 6MM	(2)	2086984
010	95001-5525040	TUBE, FUEL, 5.3X250 (95001-55001-60M)	(1)	2086984
011	95002-02100	CLIP, TUBE (B10)	(4)	2086984
012	95002-02120	CLIP, TUBE (B12)	(2)	2086984
013	95005-1122030	TUBE, 11X220 (95005-11001-30M)	(1)	2086984
<u>Ref</u>	<u>Partnumber</u>	<u>Description</u>	<u>GV400K1</u>	<u>Serial Numbers</u>
014	95700-0601208	BOLT, FLANGE, 6X12	(2)	2086984



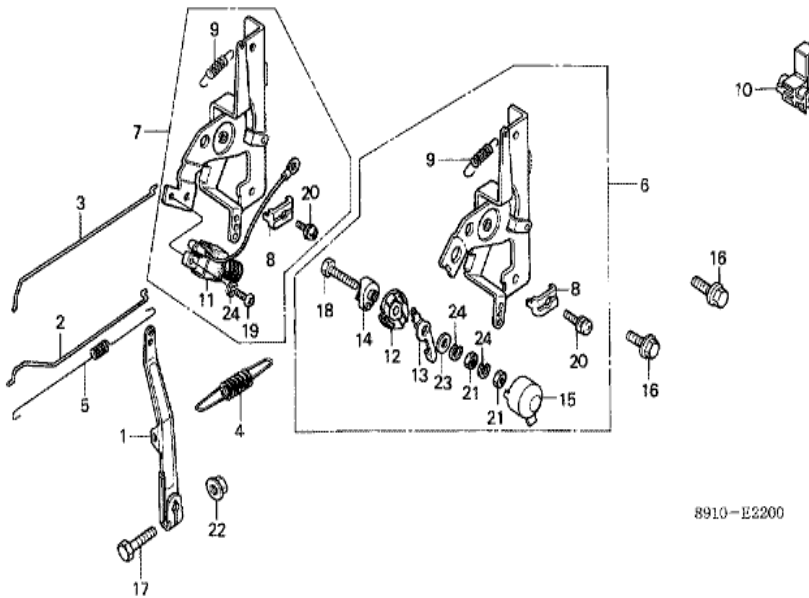
Ref	Partnumber	Description	GV400K1	Serial Numbers
001	19511-890-010	FAN, COOLING	1	2015680
001	19511-890-020	FAN, COOLING	1	2015681
002	19512-883-000	COLLAR, FAN	3	
004	28451-891-640	HOLDER, SCREEN GRID	(1)	
005	28452-891-640	GRID, SCREEN	(1)	
008	31100-891-690	FLYWHEEL COMP.	(1)	
010	90201-889-000	NUT, SPECIAL, 16X1.5	1	1135969
010	90201-ZE3-790	NUT, SPECIAL, 16MM	1	1135970
011	93500-050080A	SCREW, PAN, 5X8	(3)	
012	13331-357-000	KEY, SPECIAL WOODRUFF, 25X18	1	
013	90003-883-000	BOLT, FLANGE, 6X16	3	



<u>Ref</u>	<u>Partnumber</u>	<u>Description</u>	<u>GV400K1</u>	<u>Serial Numbers</u>
001	30211-890-000	COVER COMP., BREAKER	(1)	
002	30215-889-000	PACKING, BREAKER COVER	(1)	
003	30280-890-000	BREAKER ASSY., CONTACT	(1)	
004	30500-891-691	COIL ASSY., A.C. IGNITION	(1)	
004	30500-891-692	COIL ASSY., A.C. IGNITION	(1)	
005	30540-891-691	COIL ASSY., PRIMARY	1	2015436
005	30540-891-692	COIL ASSY., PRIMARY	(1)	2015437
006	30569-888-000	GROMMET, PRIMARY CORD	1	
008	30586-891-691	STAY COMP., IGNITION COIL & C.D.I. UNI	(1)	
009	30701-888-003	CAP, HIGH TENSION	1	2003498
009	30701-888-004	CAP, HIGH TENSION (TOYO)	(1)	
009	30701-888-013	CAP, HIGH TENSION (SUMITOMO)	1	2003499
010	30702-888-003	TERMINAL, PLUG	1	
<u>Ref</u>	<u>Partnumber</u>	<u>Description</u>	<u>GV400K1</u>	<u>Serial Numbers</u>
011	30702-890-000	CLAMP, HIGH TENSION CORD	1	
012	31511-891-691	COIL ASSY., LAMP	(1)	
013	31700-891-641	RECTIFIER COMP., SILICON	(1)	
014	90012-888-000	BOLT, FLANGE, 6X40 (CT200)	(4)	
015	90012-896-750	BOLT, FLANGE, 5X14	(2)	2004851
015	90020-891-000	BOLT, FLANGE, 5X14	2	2004850
016	90051-883-000	SCREW-WASHER, 5X12	(1)	
017	91407-891-000	TUBE, CORD	(1)	
018	93893-0602510	SCREW-WASHER, 6X25	(2)	
019	94050-06080	NUT, FLANGE, 6MM	(2)	

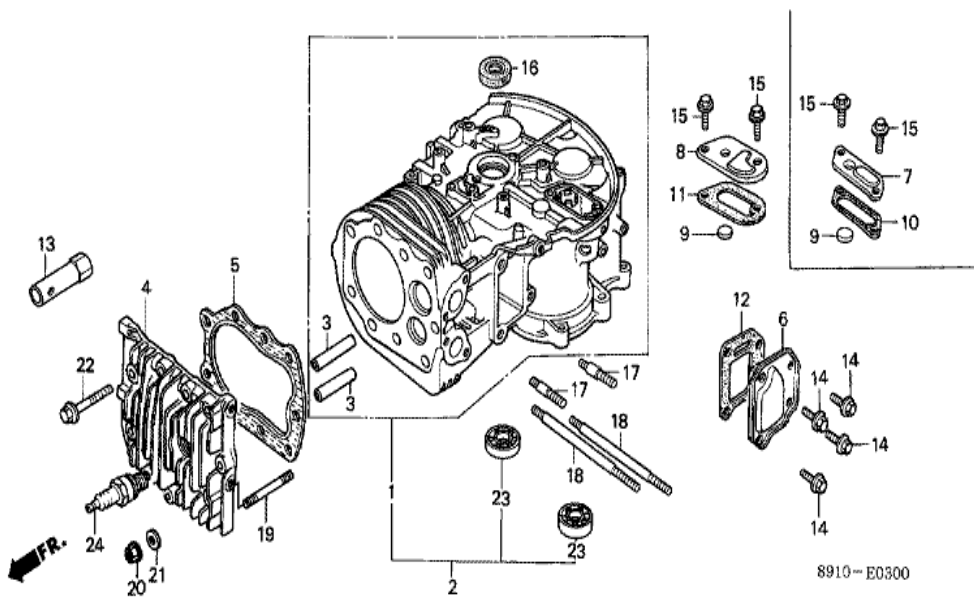


Ref	Partnumber	Description	GV400K1	Serial Numbers
001	31200-891-641	MOTOR ASSY., STARTER (LOCAL PROCUREMENT	(1)	
002	31206-891-641	ARMATURE COMP. (LOCAL PROCUREMENT PART)	(1)	
003	31207-891-641	GEAR, PINION (LOCAL PROCUREMENT PART)	(1)	
004	31212-891-641	SPRING, BRUSH (LOCAL PROCUREMENT PART)	(4)	
005	31214-891-641	BOLT, THROUGH (LOCAL PROCUREMENT PART)	(2)	
006	31215-891-641	BRUSH (LOCAL PROCUREMENT PART)	(2)	
007	31216-891-641	SPACER (LOCAL PROCUREMENT PART)	(1)	
008	31219-891-641	COVER COMP., RR. (LOCAL PROCUREMENT PART)	(1)	
009	31221-891-641	NUT, STOP (LOCAL PROCUREMENT PART)	(1)	
010	31222-891-641	SPRING, ANTI-DRIFT (LOCAL PROCUREMENT PA	(1)	
011	31223-891-641	WASHER A, LOCK (LOCAL PROCUREMENT PART)	(2)	
012	31225-891-641	WASHER A (LOCAL PROCUREMENT PART)	(1)	
013	31226-891-641	BOLT-WASHER (LOCAL PROCUREMENT PART)	(2)	
Ref	Partnumber	Description	GV400K1	Serial Numbers
014	31227-891-641	WASHER, INSULATION (LOCAL PROCUREMENT PA	(1)	
015	31228-891-641	WASHER B (LOCAL PROCUREMENT PART)	(1)	
016	31229-891-641	WASHER B, LOCK (LOCAL PROCUREMENT PART)	(1)	
017	31231-891-641	HOLDER, BRUSH (LOCAL PROCUREMENT PART)	(1)	
018	31232-891-641	BRUSH COMP. (LOCAL PROCUREMENT PART)	(1)	
019	31233-891-641	BUSH, INSULATION (LOCAL PROCUREMENT PART)	(1)	
020	31241-891-641	NUT (LOCAL PROCUREMENT PART)	(1)	
021	90045-891-000	BOLT, STUD, 8X30	(2)	
022	94050-08000	NUT, FLANGE, 8MM	(2)	



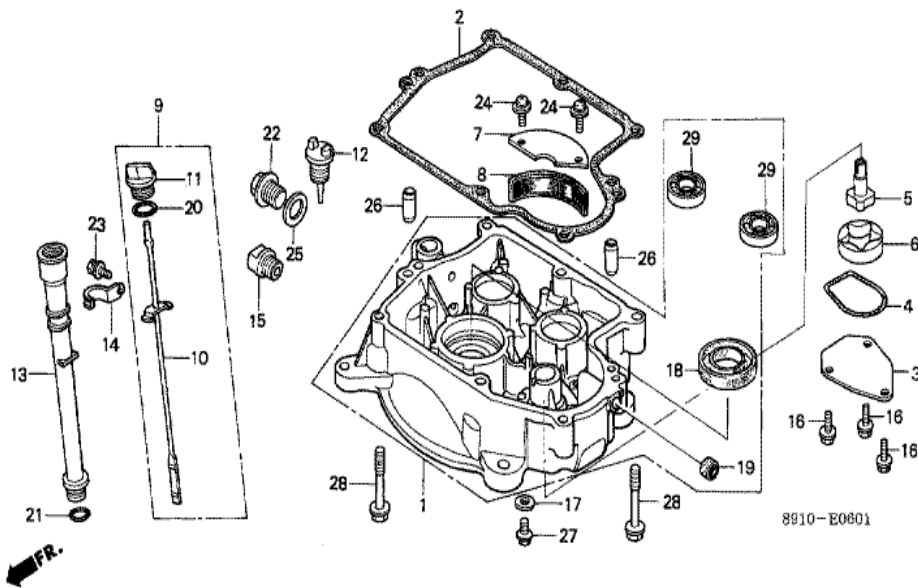
8910-E2200

<u>Ref</u>	<u>Partnumber</u>	<u>Description</u>	<u>GV400K1</u>	<u>Serial Numbers</u>
001	16551-891-000	ARM, GOVERNOR	1	
002	16555-891-000	ROD, GOVERNOR	1	
003	16556-891-010	ROD, CHOKE	1	1003592
004	16561-891-010	SPRING, GOVERNOR	1	
005	16562-891-000	SPRING, THROTTLE RETURN	1	
006	16570-891-030	CONTROL ASSY.	1	2013791
007	16570-891-040	CONTROL ASSY.	1	2013792
008	16576-891-000	HOLDER, CABLE	1	
009	16592-883-310	SPRING, CABLE RETURN	1	
010	32111-891-670	CONNECTOR, CORD	2	
011	36100-891-000	SWITCH ASSY., ENGINE STOP	1	2013792
012	36111-894-010	BASE, SWITCH	1	2013791
013	36112-891-000	CONTACT, SWITCH	1	2013791
<u>Ref</u>	<u>Partnumber</u>	<u>Description</u>	<u>GV400K1</u>	<u>Serial Numbers</u>
014	36113-894-010	WASHER, INSULATOR	1	2013791
015	36115-894-000	CAP, STOP SWITCH	1	2013791
016	90061-161-000	BOLT, FLANGE, 6X16	2	
017	90015-ZE5-010	BOLT, GOVERNOR ARM	1	
018	92100-040200A	BOLT, HEX., 4X20	1	2013791
019	93500-040140A	SCREW, PAN, 4X14	1	
020	93893-0501600	SCREW-WASHER, 5X16	1	
021	94001-040000S	NUT, HEX., 4MM	2	2013791
022	94050-06080	NUT, FLANGE, 6MM	1	
023	94101-04000	WASHER, PLAIN, 4MM	1	2013791
024	94111-04000	WASHER, SPRING, 4MM	2	2013791
024	94111-04000	WASHER, SPRING, 4MM	1	

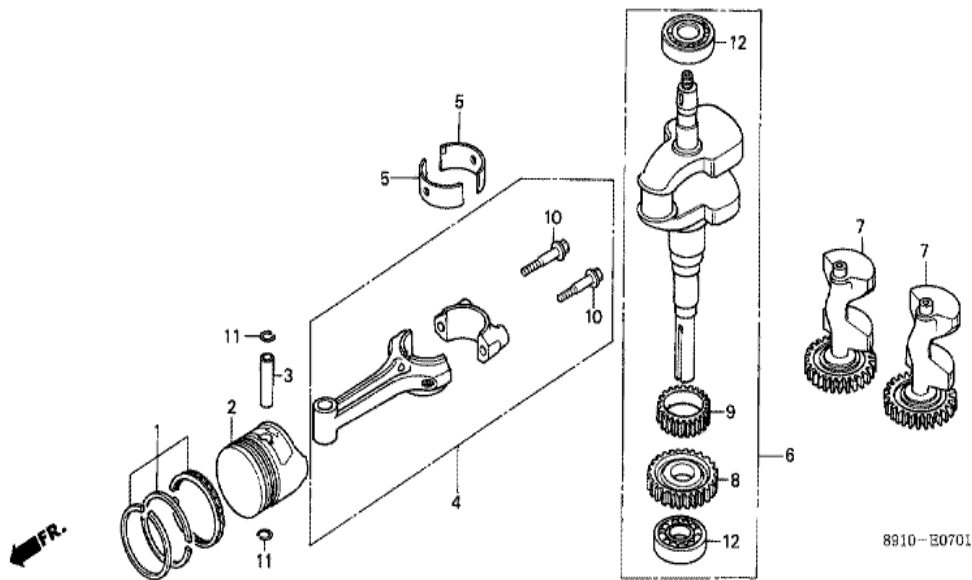


Ref	Partnumber	Description	GV400K1	Serial Numbers
002	12000-891-335	BARREL ASSY., CYLINDER	1	
003	12134-890-305	GUIDE, VALVE	2	
004	12221-891-000	HEAD, CYLINDER	1	
005	12281-890-010	GASKET, CYLINDER HEAD	1	
006	12361-891-000	COVER, TAPPET ROOM	1	
008	12370-891-000	CAP, BREATHER CHAMBER	1	
009	12372-879-000	VALVE, BREATHER	1	
011	12373-891-000	PACKING, BREATHER CAP	1	
012	12375-890-000	PACKING, TAPPET COVER	1	2004005
012	12375-890-010	PACKING, TAPPET COVER	1	2004006 2007630
012	12375-ZA1-000	PACKING, TAPPET COVER	1	2007631
013	89216-888-000	WRENCH, SPARK PLUG	(1)	
014	90013-883-000	BOLT, FLANGE, 6X12 (CT200)	4	

<u>Ref</u>	<u>Partnumber</u>	<u>Description</u>	<u>GV400K1</u>	<u>Serial Numbers</u>
015	90061-161-000	BOLT, FLANGE, 6X16	2	
016	91201-890-003	OIL SEAL, 30X46X8	1	
017	92700-080450B	BOLT, STUD, 8X45	2	2004035
017	92700-080500B	BOLT, STUD, 8X50	2	
019	90045-890-000	BOLT, STUD, 10X70	3	2011826
019	92700-100600B	BOLT, STUD, 10X60	3	2006141 2011825
020	94050-10000	NUT, FLANGE, 10MM	3	2006141 2011825
020	94050-10080	NUT, FLANGE, 10MM	3	2011826
021	90401-437-000	WASHER, PLAIN, 10MM	3	2011826
021	94102-10000	WASHER, PLAIN, 10MM	3	2006141 2011825
022	95730-1005508	BOLT, FLANGE, 10X55	9	2006140
022	95730-1005508	BOLT, FLANGE, 10X55	6	2006141
023	96100-6203000	BEARING, RADIAL BALL, 6203	2	
024	98073-56740	PLUG, SPARK (BM6A) (NGK)	(1)	
024	98073-56744	PLUG, SPARK (BMR6A) (NGK)	(1)	
024	98073-56750	PLUG, SPARK (W20M-U) (DENSO)	(1)	
024	98073-56754	PLUG, SPARK (W20MR-U) (DENSO)	(1)	
024	98073-56941	PLUG, SPARK (BPM6A-10) (NGK)	(1)	
024	98073-56944	PLUG, SPARK (BPMR6A-10) (NGK)	(1)	
024	98073-56951	PLUG, SPARK (W20MP-U10) (DENSO)	(1)	
024	98073-56954	PLUG, SPARK (W20MPR-U10) (DENSO)	(1)	

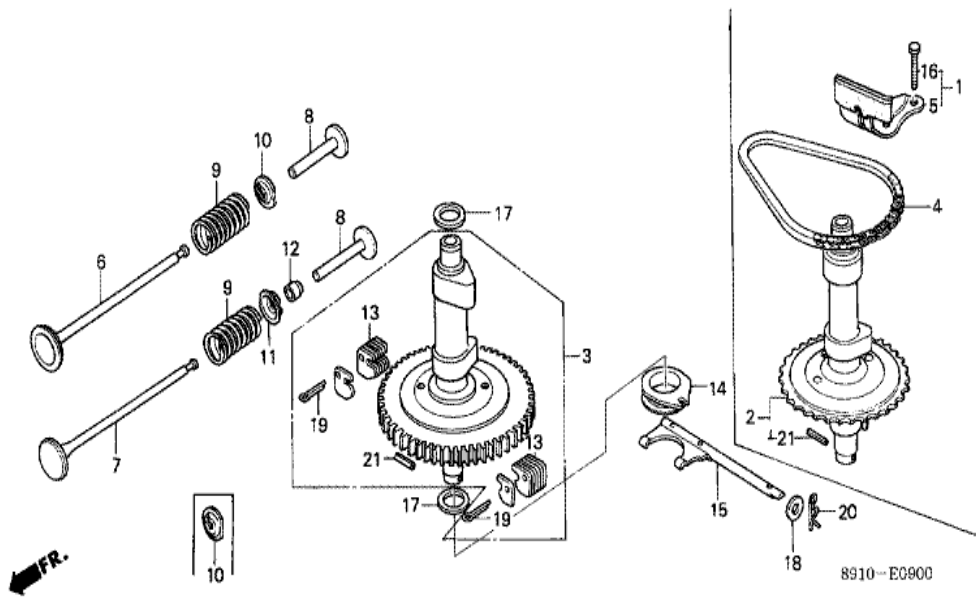


Ref	Partnumber	Description	GV400K1	Serial Numbers
001	11300-891-335	PAN ASSY., OIL	1	
002	11381-891-020	PACKING, OIL PAN	1	
003	15130-891-010	COVER, OIL PUMP	1	
004	15131-891-013	O-RING, 42X2.9	1	
005	15330-891-000	ROTOR COMP., INNER	1	
006	15332-891-003	ROTOR, OIL PUMP OUTER	1	
007	15334-891-000	PLATE, OIL FILTER	1	
008	15421-891-000	SCREEN, OIL FILTER	1	
009	15600-891-680	GAUGE ASSY., OIL LEVEL	(1)	
010	15610-891-680	GAUGE COMP., OIL LEVEL	(1)	
011	15611-921-000	CAP, OIL (YELLOW)	(1)	
013	15630-891-680	EXTENSION, OIL FILLER	(1)	
014	15632-891-680	CLAMP, EXTENSION	(1)	
Ref	Partnumber	Description	GV400K1	Serial Numbers
015	15641-891-000	ADAPTER, OIL DRAIN EXTENSION	(1)	
016	90013-883-000	BOLT, FLANGE, 6X12 (CT200)	3	
017	90488-700-000	WASHER A, 8MM	1	
018	91201-890-003	OIL SEAL, 30X46X8	1	
019	91231-891-003	OIL SEAL, 6X11X4 (ARAI)	1	
020	91301-805-000	O-RING, 26X2.7	(1)	
021	91303-891-680	O-RING, 16.8X2.4	(1)	
022	92800-20000	BOLT, DRAIN PLUG, 20MM	1	
023	93481-0601008	BOLT-WASHER, 6X10	(1)	
024	93892-0501200	SCREW-WASHER, 5X12	2	
025	94109-20000	WASHER, DRAIN PLUG, 20MM	1	
026	94301-08140	DOWEL PIN, 8X14	2	
027	95700-0801608	BOLT, FLANGE, 8X16	1	
028	95700-0804508	BOLT, FLANGE, 8X45	8	
029	96100-6203000	BEARING, RADIAL BALL, 6203	2	

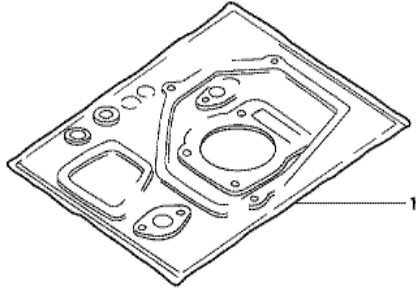


8910-E0701

<u>Ref</u>	<u>Partnumber</u>	<u>Description</u>	<u>GV400K1</u>	<u>Serial Numbers</u>
001	13010-890-010	RING SET, PISTON (STD.)	1	
001	13011-890-010	RING SET, PISTON (0.25)	(1)	
001	13012-890-010	RING SET, PISTON (0.50)	(1)	
001	13013-890-010	RING SET, PISTON (0.75)	(1)	
002	13101-890-010	PISTON (STD.)	1	
002	13102-890-010	PISTON (0.25)	(1)	
002	13103-890-010	PISTON (0.50)	(1)	
002	13104-890-010	PISTON (0.75)	(1)	
003	13111-890-000	PIN, PISTON	1	
004	13200-891-020	ROD ASSY., CONNECTING	1	
004	13200-891-040	ROD ASSY., CONNECTING	1	
005	13225-890-003	BEARING A, CONNECTING ROD (BLACK)	(2)	
005	13226-890-003	BEARING B, CONNECTING ROD (BROWN)	(2)	
<u>Ref</u>	<u>Partnumber</u>	<u>Description</u>	<u>GV400K1</u>	<u>Serial Numbers</u>
005	13227-890-003	BEARING C, CONNECTING ROD (GREEN)	(2)	
005	13228-890-003	BEARING D, CONNECTING ROD (YELLOW)	(2)	
005	13229-890-003	BEARING E, CONNECTING ROD (PINK)	(2)	
006	13310-891-020	CRANKSHAFT COMP.	1	
007	13350-891-010	WEIGHT COMP., BALANCER	2	
008	13352-891-310	GEAR, BALANCER	1	
009	14311-890-300	GEAR, TIMING (28T)	1	
010	90001-890-040	BOLT, CONNECTING ROD, 8MM	2	
010	90001-890-060	BOLT, CONNECTING ROD, 8MM	2	
011	94601-19000	CLIP, PISTON PIN, 19MM	2	
012	96100-6206000	BEARING, RADIAL BALL, 6206	2	



Ref	Partnumber	Description	GV400K1	Serial Numbers
003	14110-891-030	CAMSHAFT ASSY.	1	
006	14711-890-000	VALVE, IN.	1	
007	14721-890-000	VALVE, EX.	1	
008	14732-889-000	LIFTER, VALVE (45.89MM)	(2)	
008	14737-889-000	LIFTER, VALVE (46.04MM)	(2)	
008	14742-889-000	LIFTER, VALVE (46.19MM)	(2)	
008	14747-889-000	LIFTER, VALVE (46.34MM)	(2)	
009	14751-890-000	SPRING, VALVE	2	
010	14771-883-000	RETAINER, VALVE SPRING	1	
013	16511-883-300	WEIGHT, GOVERNOR	14	
014	16531-883-010	SLIDER, GOVERNOR	1	
015	16540-891-000	SHAFT COMP., GOVERNOR	1	
017	90452-883-000	WASHER, THRUST, 18MM	2	
<u>Ref</u>	<u>Partnumber</u>	<u>Description</u>	<u>GV400K1</u>	<u>Serial Numbers</u>
018	94101-06000	WASHER, PLAIN, 6MM	1	2004540
018	94101-06800	WASHER, PLAIN, 6MM	1	2004541
019	94201-30200	PIN, SPLIT, 3.0X20	2	
020	94251-06000	PIN, LOCK, 6MM	1	
021	94305-25162	PIN, SPRING, 2.5X16	1	



HENG-X0003

<u>Ref</u>	<u>Partnumber</u>	<u>Description</u>	<u>GV400K1</u>	<u>Serial Numbers</u>	
001	061A1-891-000	GASKET KIT	1		2004005
001	061A1-891-010	GASKET KIT	1	2004006	2074941
001	061A1-891-020	GASKET KIT	1	2007631	