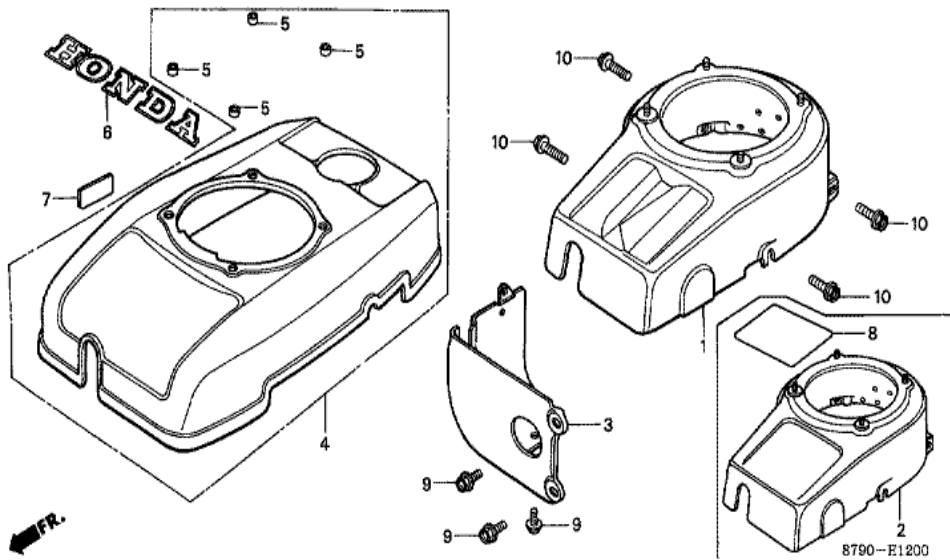
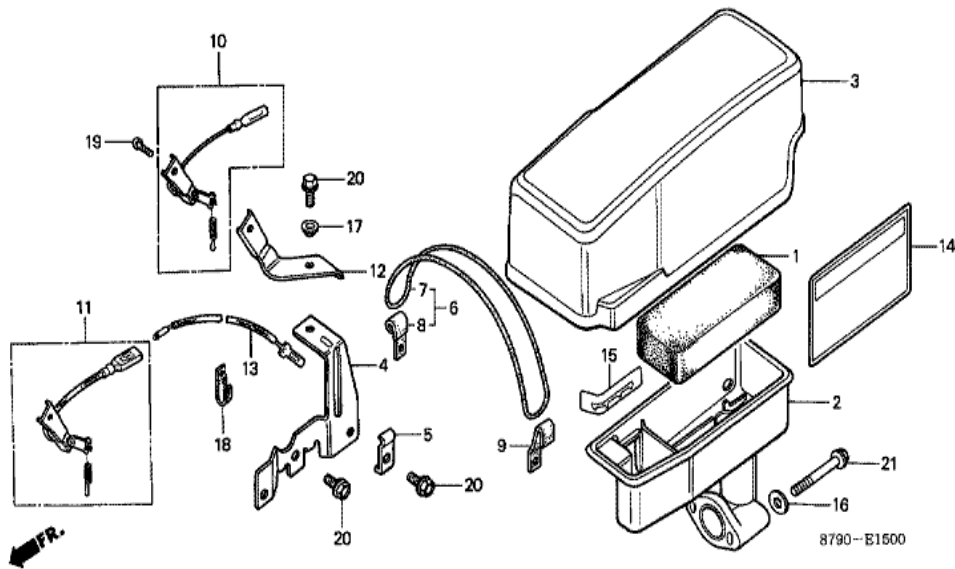


8790-E1100

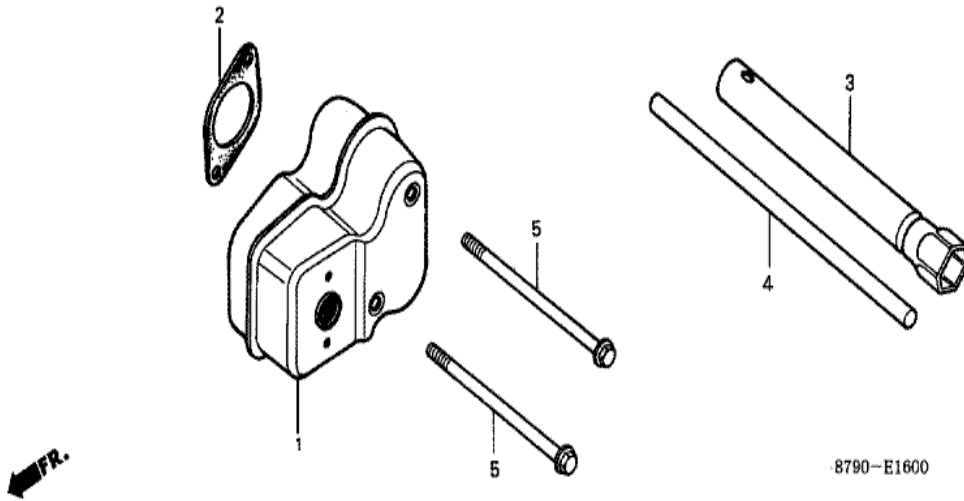
<u>Ref</u>	<u>Partnumber</u>	<u>Description</u>	<u>GV35</u>	<u>Serial Numbers</u>
001	28400-879-004H	STARTER ASSY., RECOIL	1	1005727
001	28400-879-014H	STARTER ASSY., RECOIL	1	1005728
002	28410-879-004H	CASE COMP., RECOIL STARTER	1	
003	28420-878-810	PULLEY COMP., RECOIL STARTER	1	
004	28423-878-810	E-RING	1	
005	28441-878-810	RATCHET, STARTER	1	
006	28445-878-810	PLATE, FRICTION	1	
007	28446-878-810	SPRING, FRICTION	1	
008	28447-878-810	SPRING, STARTER RETURN	1	
009	28454-878-000	PULLEY, STARTER	1	1005727
009	28454-878-010	PULLEY, STARTER	1	1005728
010	28461-878-810	GRIP, STARTER	1	
011	28465-878-810	STOPPER, ROPE	1	
<u>Ref</u>	<u>Partnumber</u>	<u>Description</u>	<u>GV35</u>	<u>Serial Numbers</u>
012	28471-878-810	ROPE, STARTER	1	
013	90482-878-810	WASHER	1	1005727
013	90482-878-811	WASHER	1	1005728
014	94021-060000S	NUT, CAP, 6MM	4	
015	95700-0601208	BOLT, FLANGE, 6X12	3	



Ref	Partnumber	Description	GV35	Serial Numbers
001	19610-879-010	COVER COMP., FAN	1	1000427
001	19610-879-020	COVER COMP., FAN	1	1000428
003	19621-879-000	COVER, SIDE	1	
004	19650-879-000H	COVER COMP., TOP	1	1000427
004	19650-879-010H	COVER COMP., TOP	1	1000428
005	19652-879-300	COLLAR, 8MM	4	
006	87101-879-000	MARK, TOP	1	
007	87513-873-710	LABEL, COMPLIANCE	1	1023438
009	95700-0601208	BOLT, FLANGE, 6X12	3	
010	95700-0601608	BOLT, FLANGE, 6X16	4	

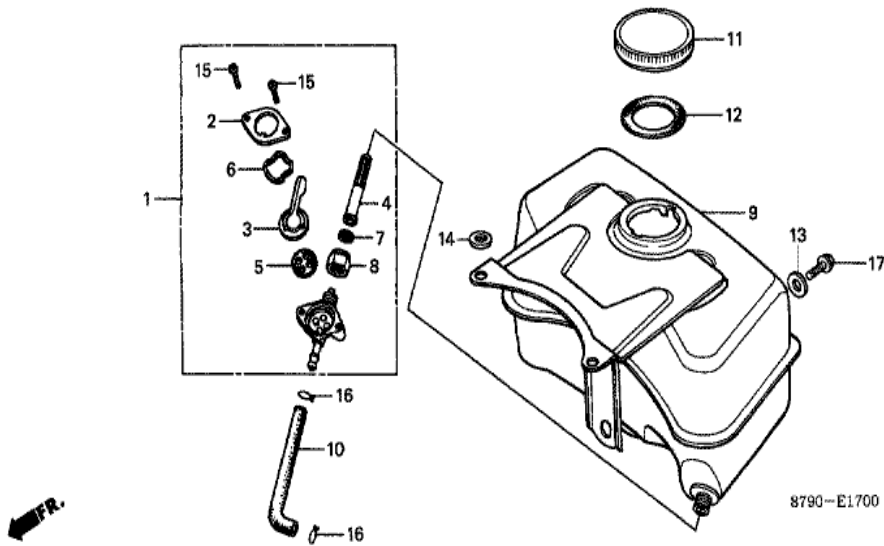


<u>Ref</u>	<u>Partnumber</u>	<u>Description</u>	<u>GV35</u>	<u>Serial Numbers</u>
001	17211-879-000	ELEMENT, AIR CLEANER	1	1005727
001	17211-879-010	ELEMENT, AIR CLEANER	1	1005728
002	17221-879-010B	CASE, AIR CLEANER	1	1005727
002	17221-879-020B	CASE, AIR CLEANER	1	1005728
002	17221-879-030B	CASE, AIR CLEANER	1	1021928
003	17231-879-010XC	COVER, AIR CLEANER	1	1005727
003	17231-879-020XC	COVER, AIR CLEANER	1	1005728
004	17240-879-000	STAY, CLEANER CASE	1	
005	17241-879-000	HOLDER, WIRE	1	
006	17245-879-305	BAND COMP., AIR CLEANER	(1)	
007	17246-879-305	BAND, AIR CLEANER	(1)	
008	17247-879-305	CLIP, AIR CLEANER BAND	(1)	
009	17248-879-305	HOLDER, AIR CLEANER BAND	(1)	
<u>Ref</u>	<u>Partnumber</u>	<u>Description</u>	<u>GV35</u>	<u>Serial Numbers</u>
010	36100-879-013	SWITCH ASSY., ENGINE	1	1020917
011	36100-879-671	SWITCH ASSY., ENGINE	1	
012	36111-879-010	STAY, STOP SWITCH	1	
014	87521-879-000	PLATE, DESCRIPTION	1	
015	87533-879-000	MARK, CONTROL	1	
016	90485-286-000	WASHER, 6MM	2	
017	90522-034-000	WASHER, HEADLIGHT CASE	1	
019	93500-030060H	SCREW, PAN, 3X6	1	
020	95700-0601208	BOLT, FLANGE, 6X12	3	
021	95700-0604008	BOLT, FLANGE, 6X40	2	1021927
021	95700-0605008	BOLT, FLANGE, 6X50	2	1021928

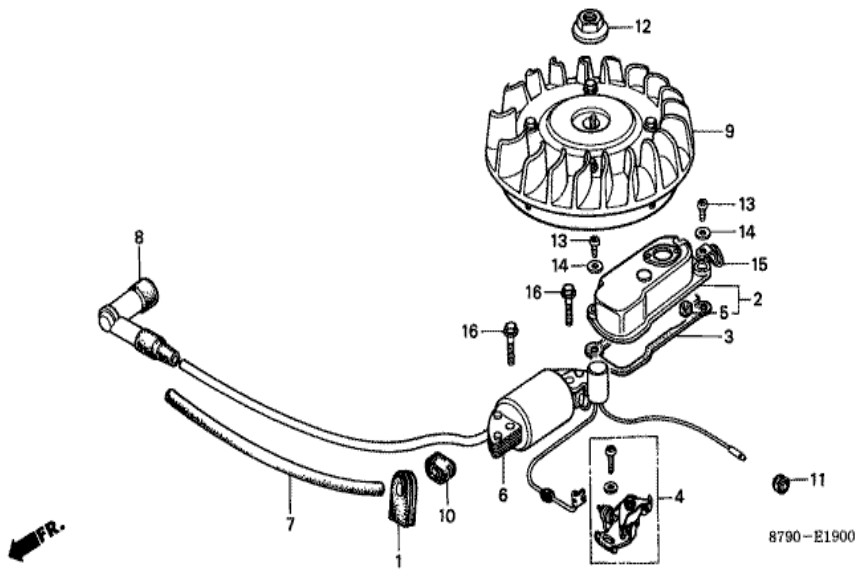


8790-E1600

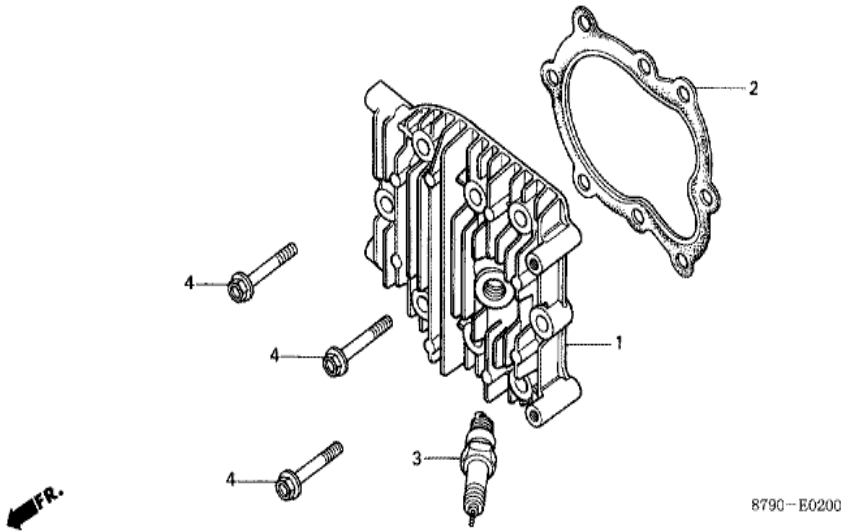
Ref	Partnumber	Description	GV35	Serial Numbers
001	18310-879-000	MUFFLER COMP.	1	
002	18381-878-000	GASKET, MUFFLER	1	1087169
002	18381-879-000	GASKET, MUFFLER	1	1087168
003	89216-809-000	WRENCH COMP., SPARK PLUG	1	
004	89219-805-000	HANDLE, BOX WRENCH	1	
005	90111-879-000	BOLT, FLANGE, 6X95	2	



<u>Ref</u>	<u>Partnumber</u>	<u>Description</u>	<u>GV35</u>	<u>Serial Numbers</u>
001	16950-878-005	COCK ASSY., FUEL	1	
002	16952-081-005	COVER, FUEL COCK	1	
003	16953-081-005	LEVER, FUEL COCK	1	
004	16954-081-005	SCREEN, COCK STRAINER	1	
005	16955-268-020	GASKET, COCK VALVE	1	
006	16956-028-004	SPRING, COCK LEVER	1	
007	16958-081-005	GASKET, FUEL STRAINER CUP	1	
008	16962-081-005	NUT, TURN BUCKLE	1	
009	17510-879-010Y	TANK COMP., FUEL	1	1020957
009	17510-879-020Y	TANK COMP., FUEL	1	1020958
010	17581-879-000	TUBE, FUEL	1	
011	17620-044-000	CAP, FUEL FILLER	1	
012	17631-001-000	GASKET, FUEL FILLER CAP	1	
<u>Ref</u>	<u>Partnumber</u>	<u>Description</u>	<u>GV35</u>	<u>Serial Numbers</u>
013	90485-286-000	WASHER, 6MM	1	1000428 1008819
013	90563-355-000	WASHER, WHEEL, 6MM	1	1008820
014	90485-286-000	WASHER, 6MM	2	1018928
015	93500-030060A	SCREW, PAN, 3X6	2	
016	95002-02080	CLIP, TUBE (B8)	2	
017	95700-06010	BOLT, FLANGE, 6X10	1	

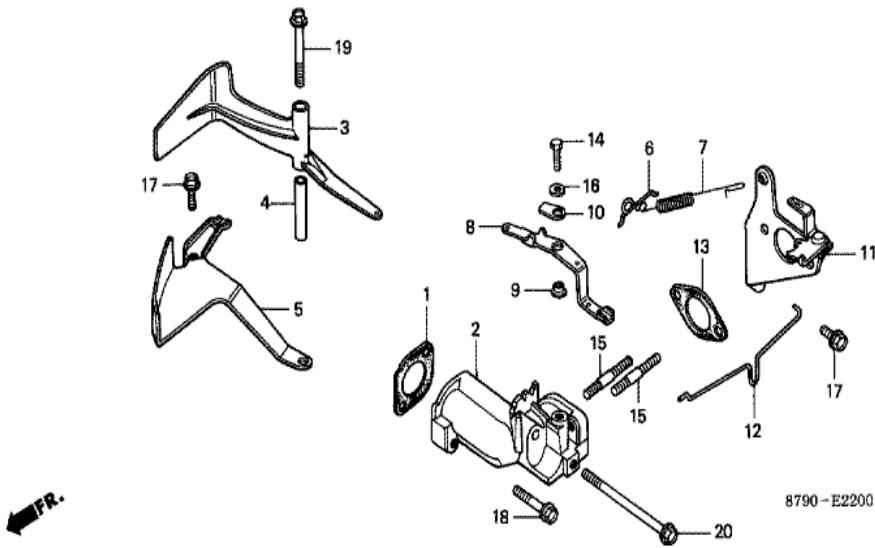


<u>Ref</u>	<u>Partnumber</u>	<u>Description</u>	<u>GV35</u>	<u>Serial Numbers</u>
001	19905-878-000	GROMMET, CORD	1	
002	30200-878-000	COVER ASSY., BREAKER	1	1005728
002	30210-878-000	COVER, BREAKER	1	1005727
003	30215-879-000	PACKING, BREAKER COVER	1	1005728
004	30280-878-003	BREAKER ASSY., CONTACT	1	
005	30290-878-003	FELT, OIL	1	
006	30560-879-003	COIL ASSY., IGNITION	1	1007541
006	30560-879-013	COIL ASSY., IGNITION (DENSO)	1	1007542
007	30565-879-000	TUBE, HIGH TENSION RUBBER	1	
008	30700-259-810	CAP ASSY., NOISE SUPPRESSOR	1	1019290
008	30700-865-003	CAP ASSY., NOISE SUPPRESSOR	1	1019291
009	31200-879-003	FLYWHEEL ASSY.	1	1005727
009	31200-879-013	FLYWHEEL ASSY. (DENSO)	1	1005728
<u>Ref</u>	<u>Partnumber</u>	<u>Description</u>	<u>GV35</u>	<u>Serial Numbers</u>
010	32951-878-000	GROMMET, CORD	1	
011	32983-230-000	GROMMET, RR. WINKER CORD	1	
012	90201-878-003	NUT, SPECIAL, 14MM	1	
013	93500-040080H	SCREW, PAN, 4X8	2	
014	94101-04800	WASHER, PLAIN, 4MM	2	
015	94591-24000	CLIP, WIRE, 2X40	1	
016	95800-0602508	BOLT, FLANGE, 6X25	2	

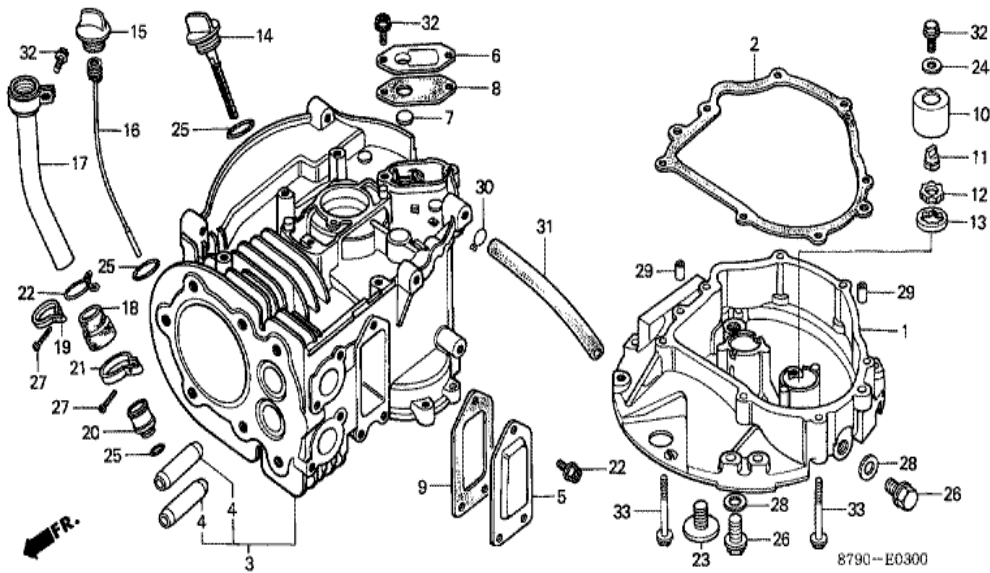


8790-E0200

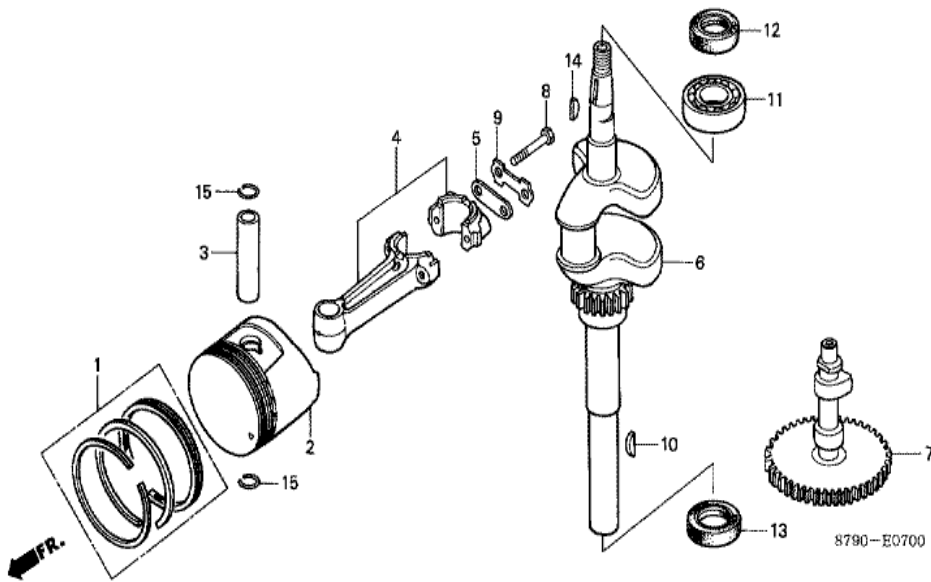
Ref	Partnumber	Description	GV35	Serial Numbers
001	12221-878-000	HEAD, CYLINDER	1	
002	12281-878-000	GASKET, CYLINDER HEAD	1	
003	91401-823-760	PLUG, SPARK (BR-6HS, NGK)	1	1019977
003	98076-56716	PLUG, SPARK (BR6HS) (NGK)	1	1019978
004	95700-0804008	BOLT, FLANGE, 8X40	8	



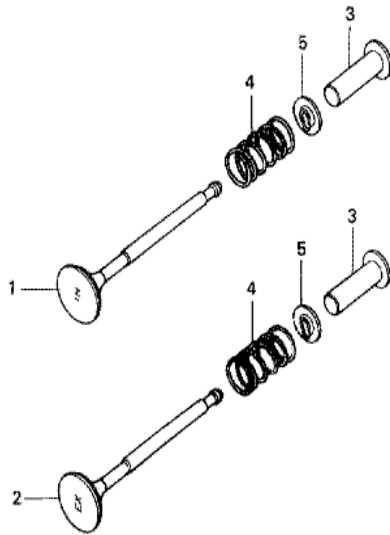
<u>Ref</u>	<u>Partnumber</u>	<u>Description</u>	<u>GV35</u>	<u>Serial Numbers</u>
001	16221-879-000	PACKING, ELBOW	1	
002	16224-879-000	ELBOW, CARBURETOR	1	
003	16512-879-000	FLUTTER, GOVERNOR	1	
004	16513-879-000	COLLAR, FLUTTER	1	
005	16521-879-010	GUIDE, WIND	1	
006	16555-879-000	ROD, GOVERNOR	1	
007	16561-879-010	SPRING, GOVERNOR	1	
008	16571-879-010	LEVER, CONTROL	1	
009	16572-879-010	COLLAR, LEVER SETTING	1	
010	16573-879-010	SPRING, LEVER SETTING	1	
011	16630-879-000	LEVER COMP., CHOKE	1	
012	16634-879-000	ROD, CHOKE	1	
013	17481-878-000	PACKING, AIR CLEANER ELBOW	1	
<u>Ref</u>	<u>Partnumber</u>	<u>Description</u>	<u>GV35</u>	<u>Serial Numbers</u>
014	92000-050140H	BOLT, HEX., 5X14	1	
015	92700-060370B	BOLT, STUD, 6X37	2	
016	94101-05800	WASHER, PLAIN, 5MM	1	
017	95700-0601208	BOLT, FLANGE, 6X12	2	
018	95700-0602508	BOLT, FLANGE, 6X25	1	
019	95700-0604508	BOLT, FLANGE, 6X45	1	
020	95700-0607008	BOLT, FLANGE, 6X70	1	



Ref	Partnumber	Description	GV35	Serial Numbers
001	11310-879-000	PAN, OIL	1	1019977
001	11310-879-020	PAN, OIL	1	1019978
002	11381-879-000	PACKING, OIL PAN	1	
003	12100-879-000	BARREL COMP., CYLINDER	1	
004	12134-878-000	GUIDE, VALVE (OVER SIZE)	(2)	
005	12361-879-000	COVER, TAPPET	1	
006	12370-879-000	CAP, BREATHER CHAMBER	1	
007	12372-879-000	VALVE, BREATHER	1	
008	12373-879-000	PACKING, BREATHER CAP	1	
009	12375-879-000	PACKING, TAPPET COVER	1	
010	15111-879-000	BODY, OIL PUMP	1	
011	15136-879-000	SHAFT, OIL PUMP	1	
012	15331-115-000	ROTOR, OIL PUMP INNER	1	
Ref	Partnumber	Description	GV35	Serial Numbers
013	15332-115-000	ROTOR, OIL PUMP OUTER	1	
014	15620-878-000	CAP COMP., OIL	1	
023	90152-879-000	BOLT, SPECIAL, 12MM	1	1009928
024	90485-286-000	WASHER, 6MM	1	
025	91303-800-000	O-RING, 16MM	1	
026	92800-12000	BOLT, DRAIN PLUG, 12MM	2	1009927
026	92800-12000	BOLT, DRAIN PLUG, 12MM	1	1009928
028	94109-12000	WASHER, DRAIN PLUG, 12MM	2	
029	94301-08140	DOWEL PIN, 8X14	2	
030	95002-02100	CLIP, TUBE (B10)	1	
031	95005-5510520	TUBE, 5.3X105 (95005-55001-20M)	1	
032	95700-0601208	BOLT, FLANGE, 6X12	6	
033	95700-0604008	BOLT, FLANGE, 6X40	7	



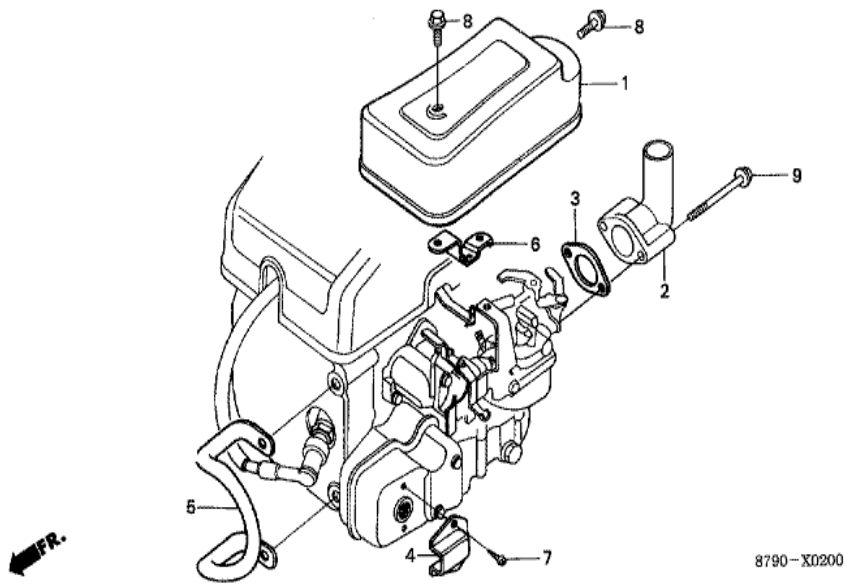
<u>Ref</u>	<u>Partnumber</u>	<u>Description</u>	<u>GV35</u>	<u>Serial Numbers</u>
001	13010-878-000	RING SET, PISTON (STD.)	1	
001	13011-878-000	RING SET, PISTON (0.25)	(1)	
001	13012-878-000	RING SET, PISTON (0.50)	(1)	
001	13013-878-000	RING SET, PISTON (0.75)	(1)	
002	13101-878-000	PISTON (STD.)	1	
002	13102-878-000	PISTON (0.25)	(1)	
002	13103-878-000	PISTON (0.50)	(1)	
002	13104-878-000	PISTON (0.75)	(1)	
003	13111-300-000	PIN, PISTON	1	
004	13210-878-000	ROD COMP., CONNECTING	1	
005	13281-879-000	WASHER A, CONNECTING ROD	1	
006	13310-879-000	CRANKSHAFT COMP.	1	1007143
006	13310-879-010	CRANKSHAFT COMP.	1	1007144
<u>Ref</u>	<u>Partnumber</u>	<u>Description</u>	<u>GV35</u>	<u>Serial Numbers</u>
007	14110-879-000	CAMSHAFT COMP.	1	
008	90001-878-000	BOLT, HEX., 6X37	2	
009	90431-878-000	WASHER, TONGUED	1	
010	90751-879-810	KEY, P.T.O. SHAFT	(1)	
011	91001-878-003	BEARING, RADIAL BALL,	1	
011	91001-878-004	BEARING, RADIAL BALL, 62/22	1	
012	91202-878-003	OIL SEAL, 22X35X6	1	
013	91252-702-001	OIL SEAL, 25X38X7 (ARAI)	1	
013	91252-720-003	OIL SEAL, 25X38X7 (ARAI)	1	
014	94401-25140	KEY, WOODRUFF, 25X14	1	
015	94601-15000	CLIP, PISTON PIN, 15MM	2	



←FR.

8790-E0900

Ref	Partnumber	Description	GV35	Serial Numbers
001	14711-878-000	VALVE, IN.	1	
002	14721-822-020	VALVE, EX.	1	
003	14738-878-000	LIFTER, VALVE	2	
004	14751-822-000	SPRING, VALVE	2	
005	14771-805-000	RETAINER, VALVE SPRING	2	



8790-X0200

Ref	Partnumber	Description	GV35	Serial Numbers
001	17235-879-810	COVER, CARBURETOR	1	
002	17411-879-810	ELBOW, AIR CLEANER	1	
003	17481-879-810	PACKING, AIR CLEANER ELBOW	1	
004	18351-879-810	DEFLECTOR, MUFFLER	1	
005	19671-879-810	GUARD, PLUG	1	
006	36111-879-810	STAY, ENGINE SWITCH	1	
007	93901-15010	SCREW, TAPPING, 5X8	2	
008	95700-0601208	BOLT, FLANGE, 6X12	2	
009	95700-0605008	BOLT, FLANGE, 6X50	2	