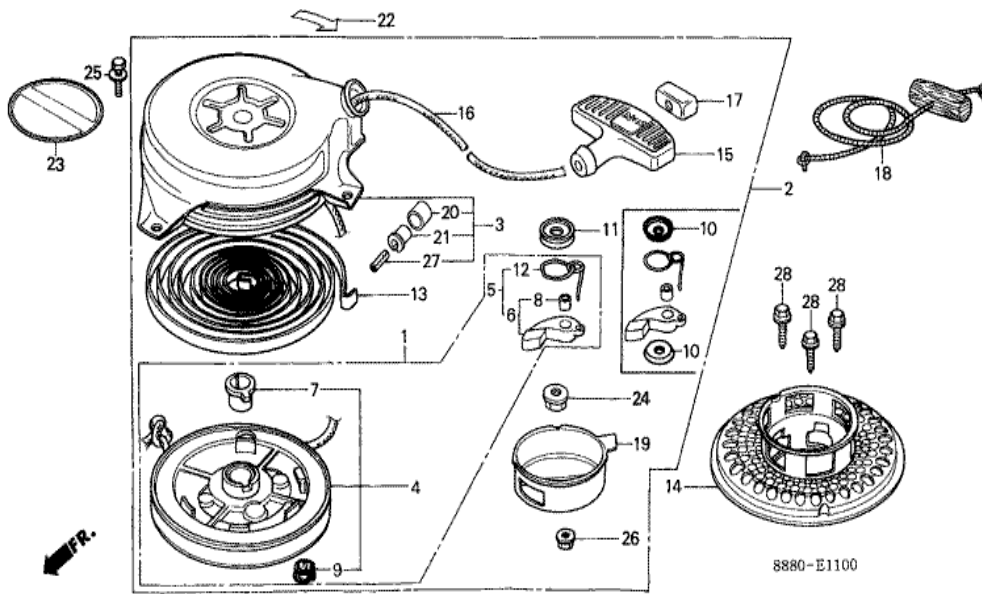


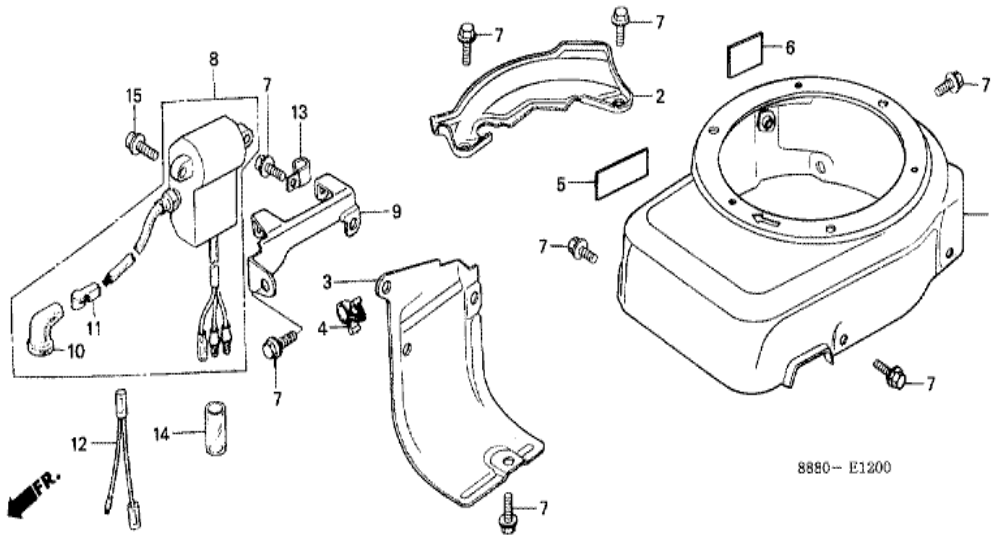
8880-E0100

Ref	Partnumber	Description	GV150K1	Serial Numbers
001	12221-888-315	HEAD, CYLINDER	1	2029059
002	12281-888-000	GASKET, CYLINDER HEAD	1	
003	19671-888-811	GUARD, PLUG	(1)	
004	90013-883-000	BOLT, FLANGE, 6X12 (CT200)	(2)	
005	95700-0804508	BOLT, FLANGE, 8X45	7	
006	98073-56744	PLUG, SPARK (BMR6A) (NGK)	1	2029059
006	98073-56754	PLUG, SPARK (W20MR-U) (DENSO)	(1)	



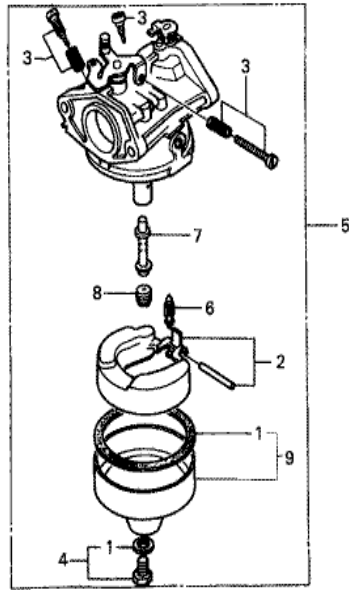
Ref	Partnumber	Description	GV150K1	Serial Numbers
001	28040-883-000	REEL KIT, STARTER	1	3039753
002	28400-888-030ZA	STARTER ASSY., RECOIL *NH67 *	1	2034961
002	28400-888-040ZA	STARTER ASSY., RECOIL *NH67 *	1	3039754
003	28410-888-020ZA	CASE COMP., STARTER *NH67 *	1	2034961
003	28410-888-030ZA	CASE COMP., STARTER *NH67 *	1	3039754
004	28420-883-010	REEL COMP., STARTER	1	3039753
004	28420-889-010	REEL COMP., STARTER	1	3039754
005	28421-883-315	RATCHET KIT	1	3039753
006	28422-883-010	RATCHET COMP.	1	2018342
006	28422-883-020	RATCHET COMP.	1	3039754
007	28424-883-000	BOSS, REEL	1	3039754
007	28424-883-310	BOSS, REEL	1	
008	28425-883-300	BUSH, RATCHET	1	3039753

<u>Ref</u>	<u>Partnumber</u>	<u>Description</u>	<u>GV150K1</u>	<u>Serial Numbers</u>
008	28425-889-300	BUSH, RATCHET	1	3039754
009	28427-883-300	BUSH, REEL STARTER	1	2018342
010	28431-883-000	PLATE, FRICTION	2	3039753
011	28432-883-000	PLATE, FRICTION	1	3039754
012	28441-883-010	SPRING, FRICTION	1	2018342
012	28441-883-020	SPRING, FRICTION	1	3039754
013	28442-883-000	SPRING, RETURN	1	
014	28451-887-020	PULLEY COMP., STARTER	1	2018940
014	28451-887-030	PULLEY COMP., STARTER	1	3039675
015	28461-883-000	GRIP, STARTER	1	
016	28462-888-000	ROPE, STARTER	1	
017	28463-883-000	SUPPORT, GRIP	1	
018	28470-816-000	ROPE, STARTER	(1)	
019	28474-883-000	COVER, STARTER REEL	1	3039753
019	28474-883-010	COVER, STARTER REEL	1	3039754
020	28476-888-300	ROLLER, GUIDE	1	
021	28477-888-300	BUSH, ROLLER	1	
023	87521-888-010	EMBLEM	1	2038748
024	90115-659-003	NUT, SELF-LOCK, 8MM (CLINCH)	1	
025	95701-0600800	BOLT, FLANGE, 6X8	3	
026	94050-05000	NUT, FLANGE, 5MM	1	
027	94305-30182	PIN, SPRING, 3X18	1	
028	90003-883-000	BOLT, FLANGE, 6X16	3	3039585
028	95700-0601608	BOLT, FLANGE, 6X16	3	



8880-E1200

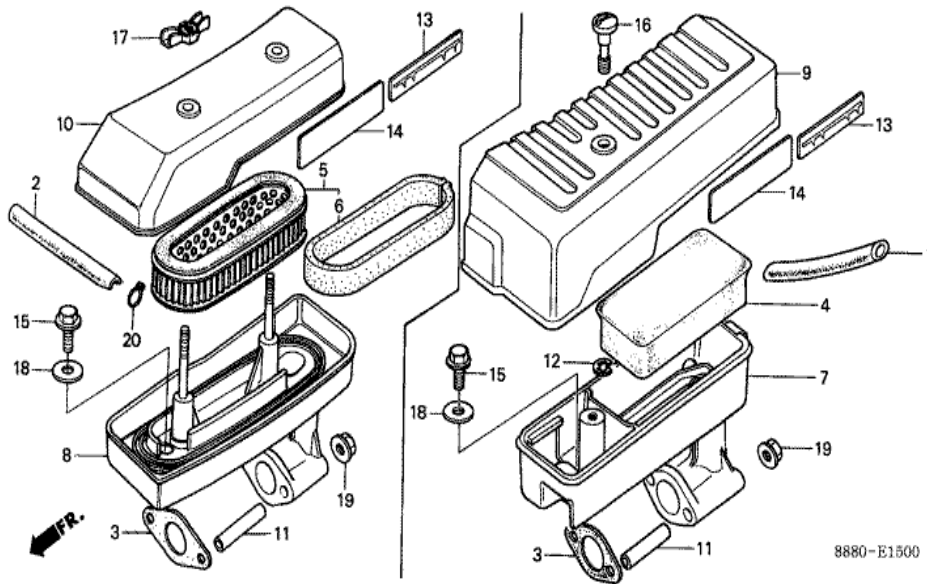
Ref	Partnumber	Description	GV150K1	Serial Numbers
001	19610-888-671ZB	COVER, FAN *NH67 *	1	
002	19621-888-000	PLATE, SIDE	1	2043167
003	19631-888-010	SHROUD	1	2043167
004	30701-883-000	CLIP, HIGH TENSION CORD (8MM)	1	2043167
006	87594-888-000	MARK, OIL CAUTION	1	2049546
007	90013-883-000	BOLT, FLANGE, 6X12 (CT200)	9	



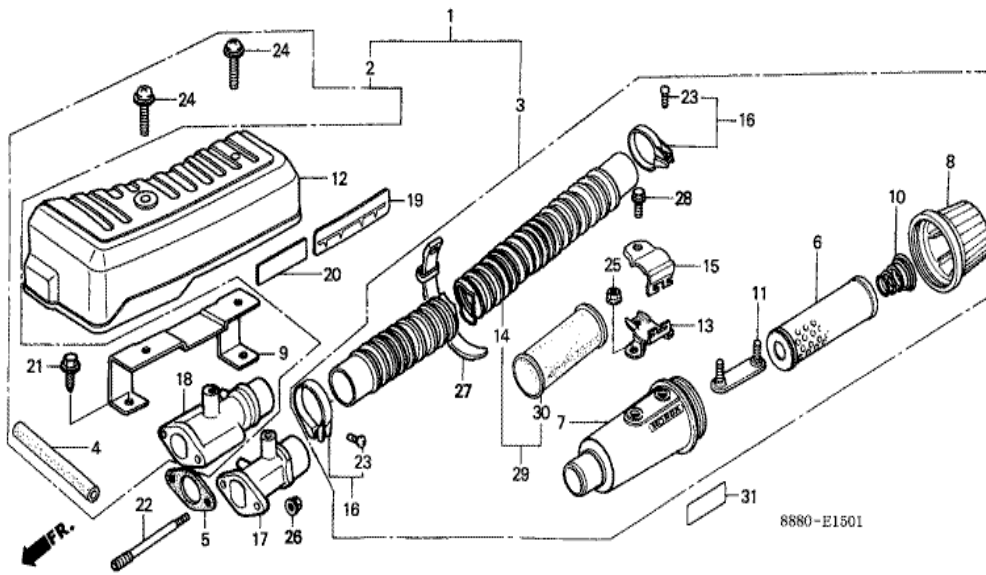
FR.

8880-E1400

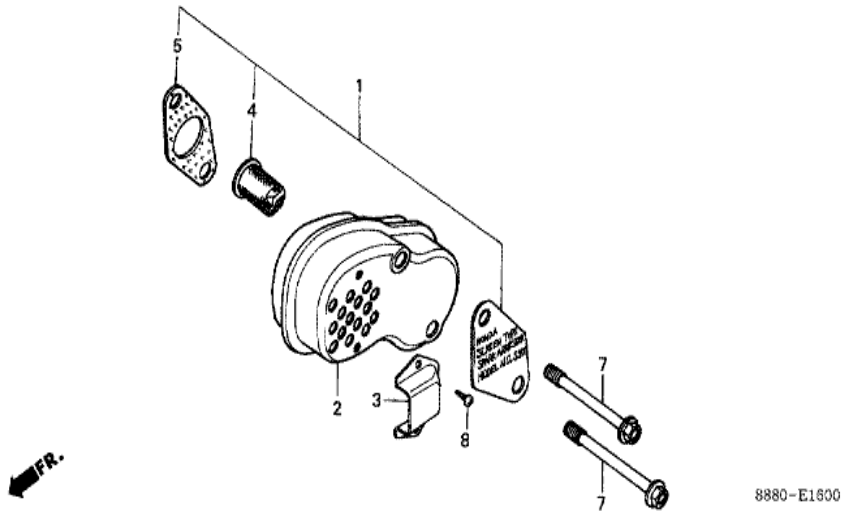
Ref	Partnumber	Description	GV150K1	Serial Numbers
001	16010-883-005	PACKING SET	1	
001	16010-883-015	PACKING SET	1	BB27A E
002	16013-883-005	FLOAT SET	1	
003	16016-148-611	SCREW SET A	1	BB27A C
003	16016-888-005	SCREW SET A	1	BB27A D BB27A D
003	16016-894-005	SCREW SET A	1	BB27A E
004	16028-883-005	SCREW SET B	1	
005	16100-888-045	CARBURETOR ASSY. (BB27A C)	1	2088375
005	16100-888-055	CARBURETOR ASSY. (BB27A D)	1	3036846
005	16100-888-065	CARBURETOR ASSY. (BB27A E)	1	
006	16155-883-005	VALVE COMP., FLOAT	1	
007	16166-888-005	NOZZLE, MAIN	1	
008	99101-1240580	JET, MAIN, #58	(1)	
<u>Ref</u>	<u>Partnumber</u>	<u>Description</u>	<u>GV150K1</u>	<u>Serial Numbers</u>
008	99101-1240600	JET, MAIN, #60	(1)	
008	99101-1240620	JET, MAIN, #62	(1)	
008	99101-1240650	JET, MAIN, #65	1	
009	16015-891-003	CHAMBER SET, FLOAT	1	BB27A E
009	16015-896-701	CHAMBER SET, FLOAT	1	BB27A D



<u>Ref</u>	<u>Partnumber</u>	<u>Description</u>	<u>GV150K1</u>	<u>Serial Numbers</u>
002	15721-888-693	TUBE, BREATHER	1	
003	16269-883-000	PACKING, AIR CLEANER	1	
005	17211-888-003	ELEMENT, AIR CLEANER	1	3039994
005	17211-888-013	ELEMENT, AIR CLEANER	1	3039995
006	17218-888-003	FILTER, OUTER	1	3039995
008	17220-888-020	CASE, AIR CLEANER	1	
010	17231-888-010B	COVER, AIR CLEANER	1	
011	17238-888-000	COLLAR, AIR CLEANER CASE	2	
013	87523-888-010	MARK, CONTROL	1	2038748
014	87524-888-670	MARK, AIR CLEANER CAUTION	1	2021060
014	87524-888-671	MARK, AIR CLEANER CAUTION	1	3036827
015	90013-883-000	BOLT, FLANGE, 6X12 (CT200)	1	
017	90203-611-000	NUT, AIR CLEANER COVER	2	3084258
<u>Ref</u>	<u>Partnumber</u>	<u>Description</u>	<u>GV150K1</u>	<u>Serial Numbers</u>
017	90203-PB2-000	NUT, AIR CLEANER COVER (DACRO COATING)	2	3084259
018	90522-034-000	WASHER, HEADLIGHT CASE	1	
019	94050-06080	NUT, FLANGE, 6MM	2	
020	95002-02130	CLIP, TUBE (B12.5)	1	

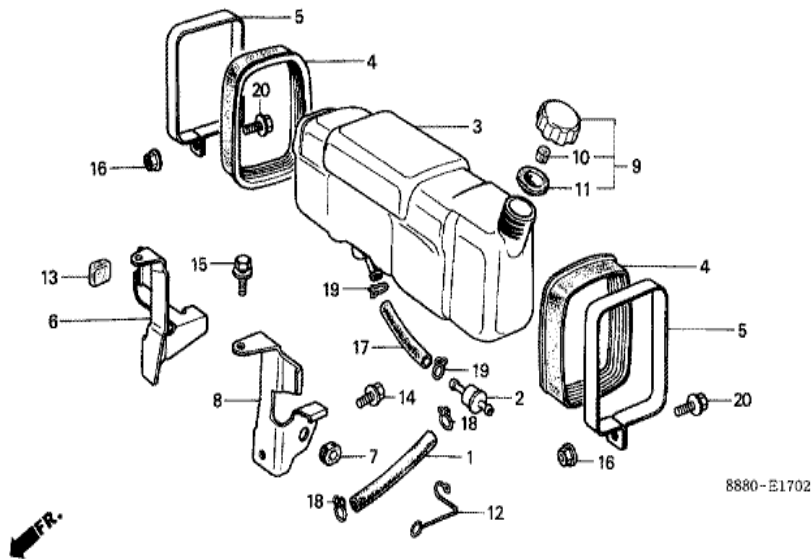


<u>Ref</u>	<u>Partnumber</u>	<u>Description</u>	<u>GV150K1</u>	<u>Serial Numbers</u>
001	06170-888-811	CLEANER KIT, SNORKEL JOINT AIR	(1)	
002	06171-888-811	JOINT KIT, SNORKEL AIR CLEANER	(1)	
003	06172-888-810	CLEANER KIT, SNORKEL AIR	(1)	
004	15721-888-810	TUBE, BREATHER	(1)	
006	17211-888-692	ELEMENT, AIR CLEANER	(1)	
007	17220-888-691	CASE, AIR CLEANER	(1)	
008	17231-888-691	CAP, AIR CLEANER	(1)	
009	17232-888-690	STAY, CARBURETOR COVER	(1)	
010	17233-888-691	SPRING, SETTING	(1)	
011	17234-888-691	PLATE COMP., AIR CLEANER SETTING	(1)	
013	17236-888-691	BRACKET A, AIR CLEANER	(1)	
014	17237-888-691	HOSE, AIR CLEANER	(1)	
015	17239-888-690	BRACKET B, AIR CLEANER	(1)	
<u>Ref</u>	<u>Partnumber</u>	<u>Description</u>	<u>GV150K1</u>	<u>Serial Numbers</u>
016	17255-041-000	BAND, AIR CLEANER CONNECTING TUBE	(2)	
018	17411-888-810	JOINT, TUBE CONNECTING	(1)	
021	90013-883-000	BOLT, FLANGE, 6X12 (CT200)	(2)	
023	93500-040250A	SCREW, PAN, 4X25	(2)	
024	93891-0602508	SCREW-WASHER, 6X25	(2)	
025	94050-06000	NUT, FLANGE, 6MM	(2)	
027	95014-62300	BAND B3, WIRE	(3)	
028	95700-0601600	BOLT, FLANGE, 6X16	(1)	

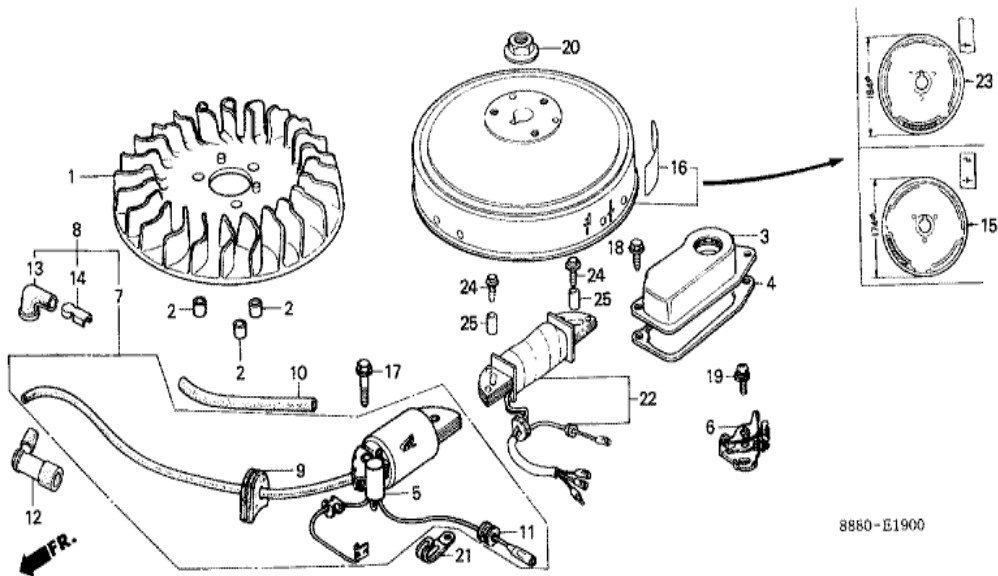


8880-E1600

Ref	Partnumber	Description	GV150K1	Serial Numbers
001	06180-888-810	ARRESTER KIT, SPARK	(1)	
002	18310-888-000	MUFFLER COMP.	1	
003	18351-888-810	DEFLECTOR, MUFFLER	(1)	
004	18355-888-810	ARRESTER, SPARK	(1)	
005	18381-883-000	GASKET, MUFFLER	1	
007	90011-888-000	BOLT, FLANGE, 8X90	2	
008	93901-14110	SCREW, TAPPING, 4X8	(2)	

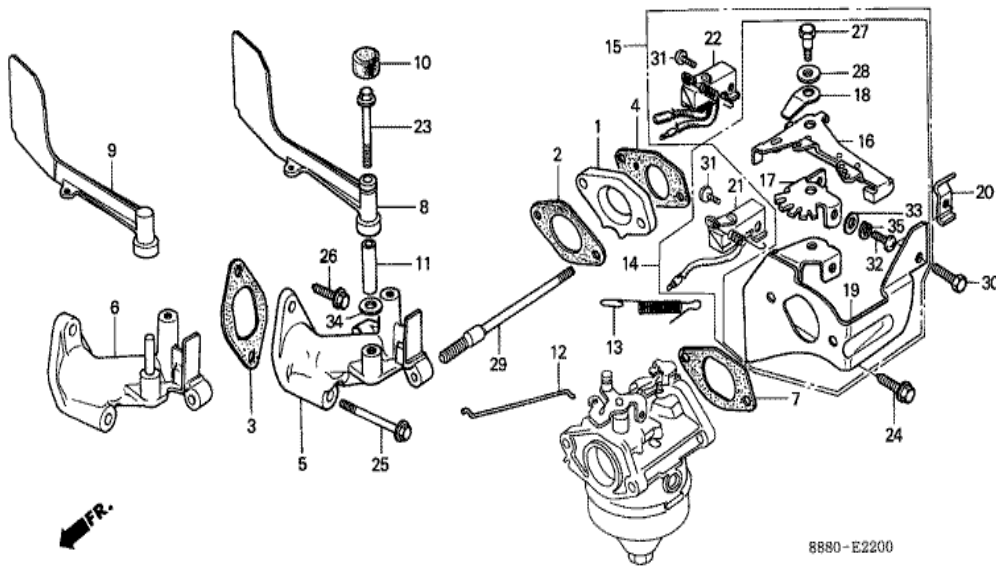


<u>Ref</u>	<u>Partnumber</u>	<u>Description</u>	<u>GV150K1</u>	<u>Serial Numbers</u>
001	95001-4511540	TUBE, FUEL, 4.5X115 (95001-45001-60M)	1	3176995
001	95001-4512040	TUBE, FUEL, 4.5X120 (95001-45001-60M)	1	2043168
002	16910-GB2-005	STRAINER COMP., FUEL	1	3176995
002	16952-952-003	STRAINER, FUEL	1	3176994
003	17500-879-670B	TANK, FUEL	1	
004	17515-879-670	RUBBER, TANK SEAT	2	
005	17518-879-670	BAND, FUEL TANK	2	
006	17521-888-670	STAY A, TANK	1	
007	17523-888-670	GROMMET, FUEL TUBE	1	
008	17525-888-671	STAY B, TANK	1	
009	17620-888-010	CAP ASSY., FUEL TANK	1	3165689
009	17620-888-020	CAP ASSY., FUEL TANK	1	3165690
010	17622-888-010	SPONGE, FUEL CAP BREATHER	1	
<u>Ref</u>	<u>Partnumber</u>	<u>Description</u>	<u>GV150K1</u>	<u>Serial Numbers</u>
011	17624-355-010	PACKING, FUEL CAP	1	3132644
011	17624-896-750	PACKING, FUEL CAP	1	3132645
012	30564-883-630	CLAMPER, HIGH TENSION CORD	1	
013	36058-657-003	RUBBER, CUSHION	1	
014	90013-883-000	BOLT, FLANGE, 6X12 (CT200)	2	
015	93481-0601008	BOLT-WASHER, 6X10	2	
016	94050-06000	NUT, FLANGE, 6MM	2	
017	17512-888-000	TUBE, FUEL	1	3176995
017	95001-5511040	TUBE, FUEL, 5.3X110 (95001-55001-60M)	1	2043168
018	95002-02080	CLIP, TUBE (B8)	2	2043168
019	95002-02100	CLIP, TUBE (B10)	2	2043168
020	95700-0601208	BOLT, FLANGE, 6X12	2	



8880-E1900

<u>Ref</u>	<u>Partnumber</u>	<u>Description</u>	<u>GV150K1</u>	<u>Serial Numbers</u>
001	19511-887-020	FAN, COOLING	1	2025712
002	19512-883-000	COLLAR, FAN	3	
003	30211-883-000	COVER COMP., BREAKER	1	
004	30215-883-000	PACKING, BREAKER COVER	1	
005	30251-883-003	CONDENSER COMP.	1	3040634
006	30280-883-005	BREAKER ASSY., CONTACT	1	
008	30560-888-035	COIL ASSY., IGNITION	1	
009	30563-883-000	GROMMET, CORD	1	
011	30569-888-000	GROMMET, PRIMARY CORD	1	
013	30701-888-004	CAP, HIGH TENSION (TOYO)	1	
013	30701-888-013	CAP, HIGH TENSION (SUMITOMO)	1	
014	30702-888-003	TERMINAL, PLUG	1	2029059
015	31100-887-010	FLYWHEEL COMP. (POINT)	1	2005407
<u>Ref</u>	<u>Partnumber</u>	<u>Description</u>	<u>GV150K1</u>	<u>Serial Numbers</u>
016	87541-896-000	MARK, FLYWHEEL CAUTION	1	3049024
017	90017-883-000	BOLT, FLANGE, 6X32 (CT200)	2	
018	90019-883-000	BOLT, FLANGE, 5X10	2	
019	90051-883-000	SCREW-WASHER, 5X12	1	
020	90201-878-003	NUT, SPECIAL, 14MM	1	
021	91405-671-000	CLIP, WIRE	1	

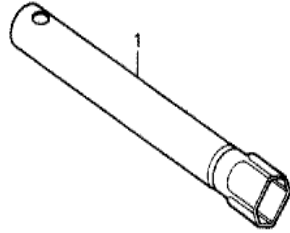


8880-E2200

<u>Ref</u>	<u>Partnumber</u>	<u>Description</u>	<u>GV150K1</u>	<u>Serial Numbers</u>
001	16211-887-000	INSULATOR, CARBURETOR	1	
002	16212-887-000	PACKING, INSULATOR	1	
003	16220-888-000	PACKING, MANIFOLD	1	
004	16221-883-000	PACKING, CARBURETOR	1	
006	16224-888-030	MANIFOLD, INTAKE	1	3010127
006	16224-888-040	MANIFOLD, INTAKE	1	3010128
007	16269-883-000	PACKING, AIR CLEANER	1	
009	16512-888-030	FLUTTER, GOVERNOR	1	
012	16555-888-010	ROD, GOVERNOR	1	
013	16561-888-020	SPRING, GOVERNOR	1	2021744
015	16570-888-670	CONTROL ASSY.	1	
016	16571-888-010	LEVER, CONTROL	1	
017	16572-888-010	PLATE, LEVER SETTING	1	
<u>Ref</u>	<u>Partnumber</u>	<u>Description</u>	<u>GV150K1</u>	<u>Serial Numbers</u>
018	16573-879-010	SPRING, LEVER SETTING	1	
019	17235-888-010	STAY COMP., CLEANER CASE	1	
020	17251-888-010	HOLDER, WIRE	1	2012170
022	36100-888-672	SWITCH ASSY., ENGINE STOP	1	
024	90013-883-000	BOLT, FLANGE, 6X12 (CT200)	1	
025	90014-888-000	BOLT, FLANGE, 6X50	1	
026	90022-888-010	BOLT, FLANGE, 6X20 (CT200)	1	
027	90025-888-010	BOLT, CONTROL LEVER	1	
028	90026-888-000	WASHER, 7MM	1	
029	90043-888-000	BOLT, STUD, 6X141	2	3010127
029	90043-888-010	BOLT, STUD, 6X141	2	3010128
030	92000-06012	BOLT, HEX., 6X12	1	
031	93500-040080A	SCREW, PAN, 4X8	1	
032	93500-050080A	SCREW, PAN, 5X8	1	
033	94101-05000	WASHER, PLAIN, 5MM	1	
035	94111-05000	WASHER, SPRING, 5MM	1	

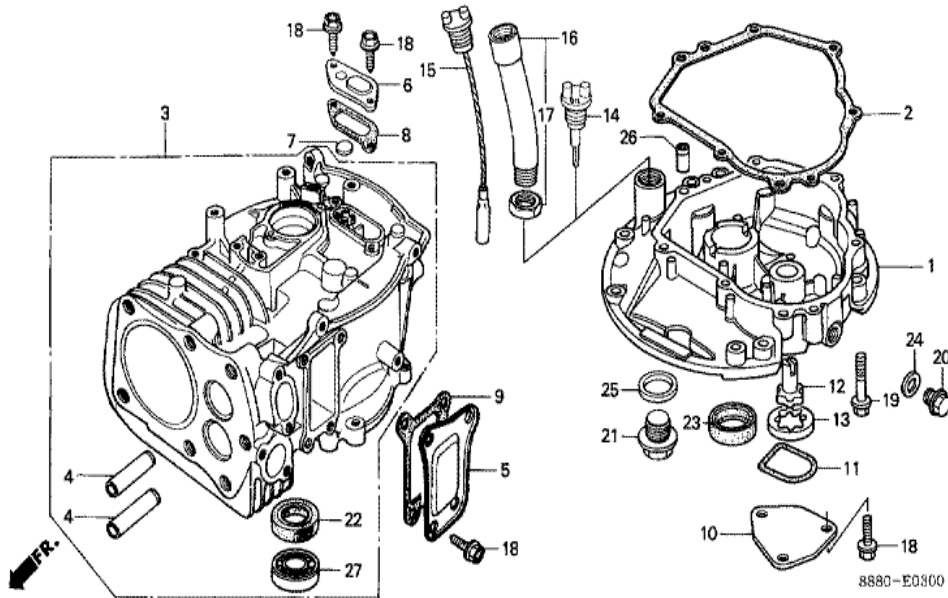
GV150K1(A2D)

E-29 TOOL

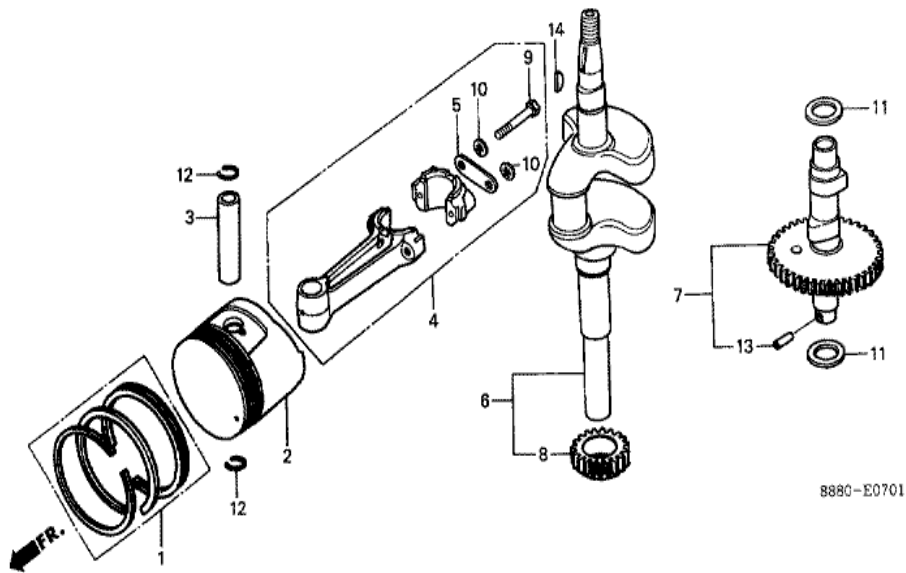


8880 - E2900

<u>Ref</u>	<u>Partnumber</u>	<u>Description</u>	<u>GV150K1</u>	<u>Serial Numbers</u>
001	89216-888-000	WRENCH, SPARK PLUG	1	2029059

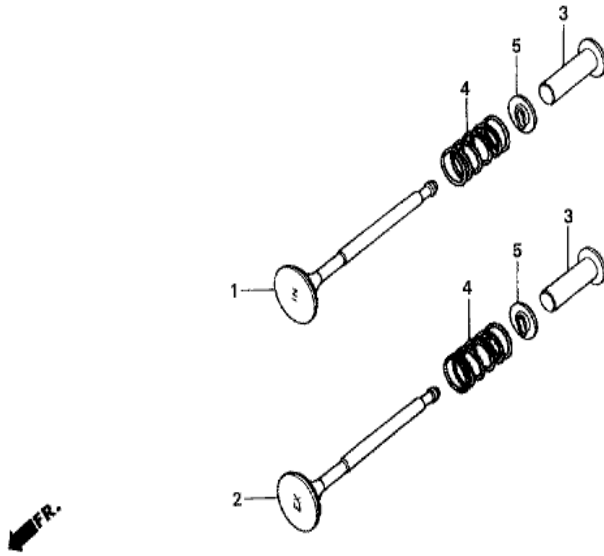


<u>Ref</u>	<u>Partnumber</u>	<u>Description</u>	<u>GV150K1</u>	<u>Serial Numbers</u>
001	11310-888-020	PAN, OIL	1	
002	11381-888-010	PACKING, OIL PAN	1	
003	12000-888-345	BARREL ASSY., CYLINDER	1	
004	12134-887-305	GUIDE, VALVE (O.S.)	(2)	
005	12361-888-000	COVER, TAPPET ROOM	1	
006	12370-888-000	CAP, BREATHER CHAMBER	1	
007	12372-879-000	VALVE, BREATHER	1	
008	12373-888-000	PACKING, BREATHER CAP	1	
009	12375-888-000	PACKING, TAPPET COVER	1	
010	15130-888-010	COVER, OIL PUMP	1	
011	15131-888-010	O-RING, PUMP COVER	1	
012	15330-888-000	ROTOR COMP., INNER	1	
013	15332-115-000	ROTOR, OIL PUMP OUTER	1	
<u>Ref</u>	<u>Partnumber</u>	<u>Description</u>	<u>GV150K1</u>	<u>Serial Numbers</u>
015	15620-888-671	CAP, OIL FILLER	1	
016	15630-888-670	PIPE COMP., OIL FILLER	1	
017	90011-883-630	NUT, OIL FILLER	1	
018	90013-883-000	BOLT, FLANGE, 6X12 (CT200)	9	
019	90017-883-000	BOLT, FLANGE, 6X32 (CT200)	7	
020	90131-883-000	BOLT, DRAIN PLUG, 12X15	1	2025878
021	90131-888-010	BOLT, OIL DRAIN	1	2025878
022	91202-883-005	OIL SEAL, 25X41X6	1	
023	91202-883-005	OIL SEAL, 25X41X6	1	
024	94109-12000	WASHER, DRAIN PLUG, 12MM	1	2025878
025	94109-20000	WASHER, DRAIN PLUG, 20MM	1	
026	94301-08140	DOWEL PIN, 8X14	2	
027	96100-6205000	BEARING, RADIAL BALL, 6205	1	



8880-E0701

<u>Ref</u>	<u>Partnumber</u>	<u>Description</u>	<u>GV150K1</u>	<u>Serial Numbers</u>
001	13010-887-000	RING SET, PISTON (STD.)	1	
001	13011-887-000	RING SET, PISTON (0.25)	(1)	
001	13012-887-000	RING SET, PISTON (0.50)	(1)	
001	13013-887-000	RING SET, PISTON (0.75)	(1)	
002	13101-887-003	PISTON (STD.)	1	
002	13102-887-000	PISTON (0.25)	(1)	
002	13103-887-000	PISTON (0.50)	(1)	
002	13104-887-000	PISTON (0.75)	(1)	
003	13111-883-000	PIN, PISTON	1	
004	13200-888-030	ROD ASSY., CONNECTING	1	
004	13200-888-335	ROD ASSY., CONNECTING (UNDER SIZE)	(1)	
005	13281-888-000	WASHER, CONNECTING ROD	1	
006	13310-888-640	CRANKSHAFT COMP.	1	
<u>Ref</u>	<u>Partnumber</u>	<u>Description</u>	<u>GV150K1</u>	<u>Serial Numbers</u>
007	14110-888-010	CAMSHAFT ASSY.	1	3040754
007	14110-888-020	CAMSHAFT ASSY.	1	3040755
008	14311-888-300	GEAR, TIMING	1	
009	90001-883-020	BOLT, CONNECTING ROD, 7MM	2	
010	90432-889-003	WASHER, LOCK, 7MM	2	
011	90452-883-000	WASHER, THRUST, 18MM	2	
012	90551-883-000	CLIP, PISTON PIN, 15MM	2	
013	94305-25162	PIN, SPRING, 2.5X16	1	
014	13331-357-000	KEY, SPECIAL WOODRUFF, 25X18	1	

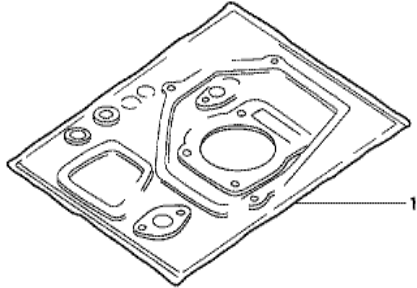


8880-B0900

Ref	Partnumber	Description	GV150K1	Serial Numbers
001	14711-887-000	VALVE, IN.	1	
002	14721-887-000	VALVE, EX.	1	
003	14738-888-010	LIFTER, VALVE (31.33)	(2)	2006875
003	14744-888-010	LIFTER, VALVE (31.51)	(2)	2006875
003	14749-888-010	LIFTER, VALVE (31.66)	(2)	2006875
004	14751-883-000	SPRING, VALVE	2	
005	14771-883-000	RETAINER, VALVE SPRING	2	

GV150K1(A2D)

EOP-1 GASKET KIT



HENG-X0003

<u>Ref</u>	<u>Partnumber</u>	<u>Description</u>	<u>GV150K1</u>	<u>Serial Numbers</u>
001	06110-888-020	GASKET KIT	1	