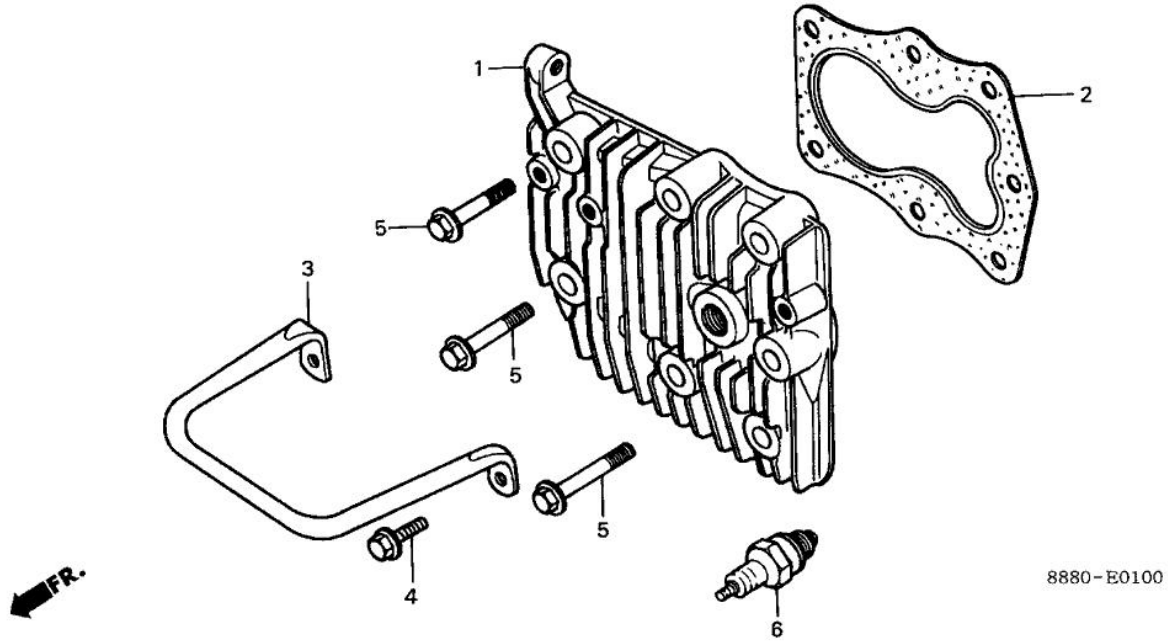
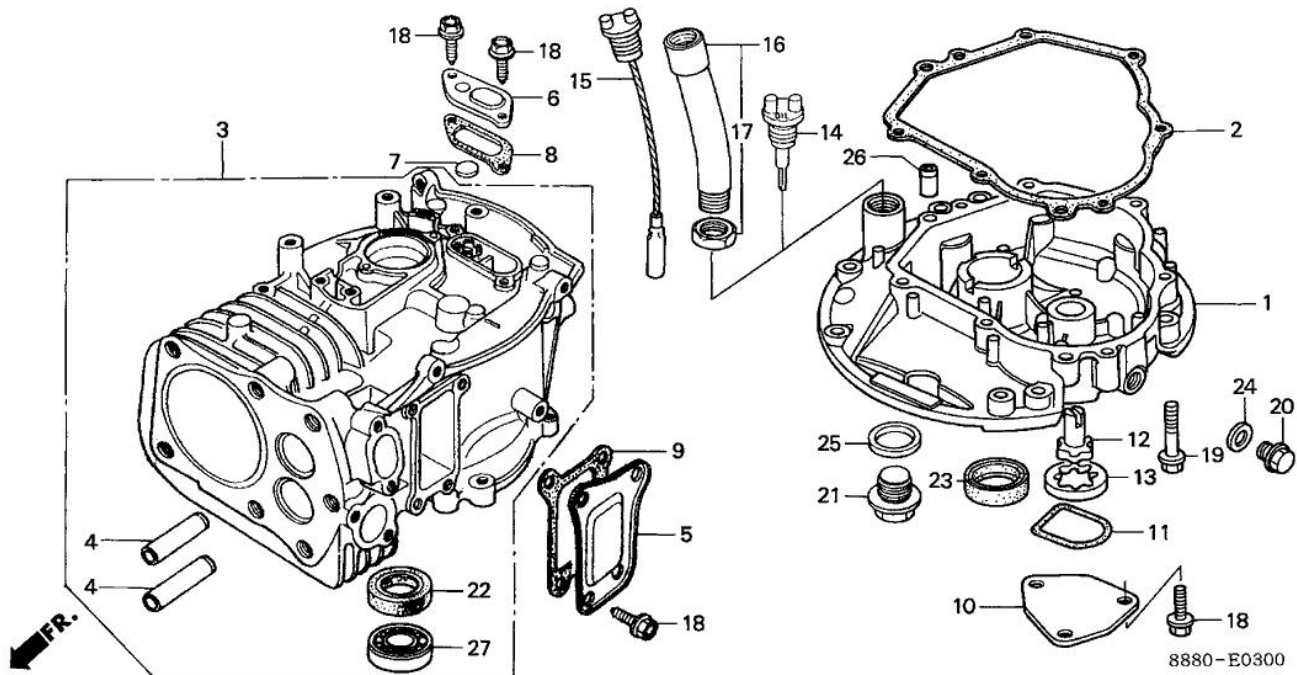


TRU-POWER, INC.

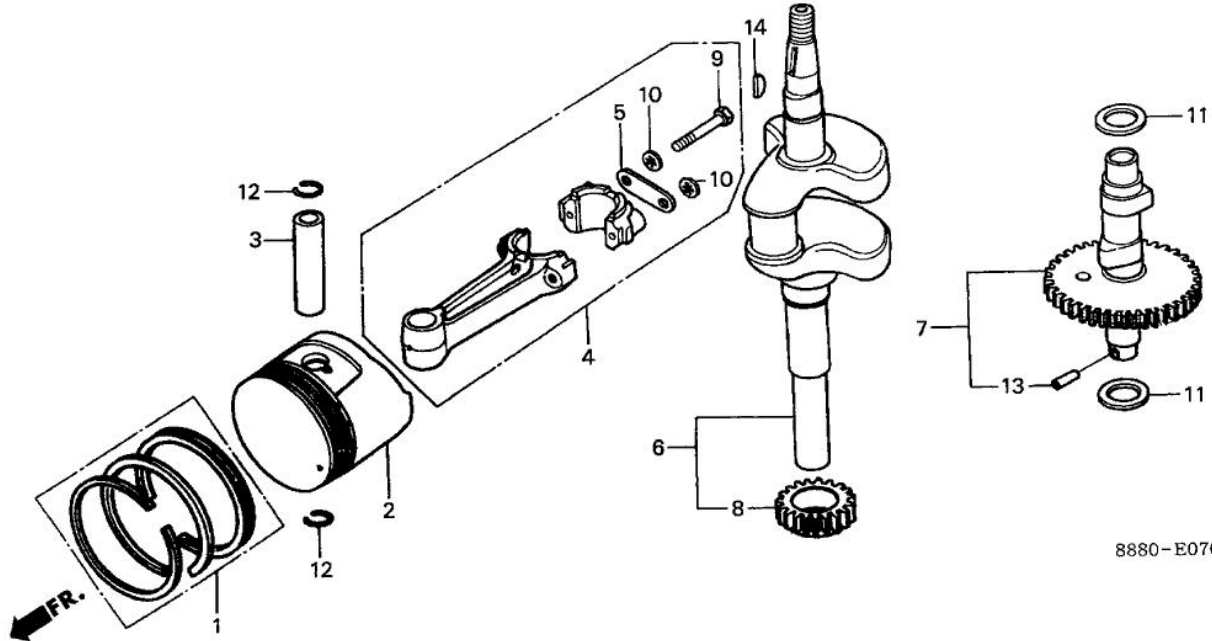
Model Name	GV150K1	Product Line	GENERAL PURPOSE ENGINE
Mfg	JPN	Type	A1D
Section	ENGINE	Illustration	CYLINDER HEAD



Ref.	Part Number	Part Description	Qty.
001	12221-888-315	CYLINDER HEAD	001
002	12281-888-000	GASKET, CYLINDER HEAD	(NOT AVAILABLE) 001
003	19671-888-811	GUARD, PLUG	001
004	90013-883-000	BOLT, FLANGE (6X12) (CT200)	(2)
005	95700-08045-08	BOLT, FLANGE (8X45)	007
005	95701-08045-08	BOLT, FLANGE (8X45)	007
006	98073-56744	SPARK PLUG (BMR6A) (NGK)	001
006	98073-56754	SPARK PLUG (W20MR-U) (DENSO)	(NA USE ALT: 98073-56744) (1)

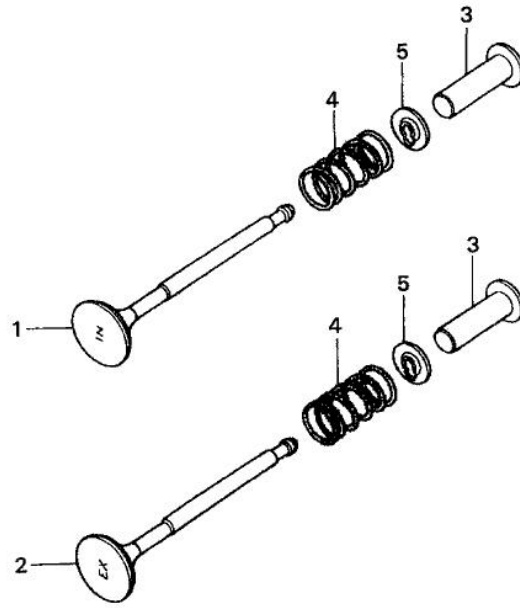


Ref.	Part Number	Part Description	Qty.
001	11310-888-020	PAN, OIL	001
002	11381-888-307	GASKET, OIL PAN	001
003	12000-888-345	CYLINDER ASSY.	001
004	12133-887-306	GUIDE, VALVE (OVER SIZE)	(2)
004	12134-887-305	GUIDE, VALVE (OVER SIZE)	(2)
005	12361-888-000	COVER, TAPPET ROOM	001
006	12370-888-000	CAP, BREATHER CHAMBER	001
007	12372-879-000	VALVE, BREATHER	001
008	12373-888-000	GASKET, BREATHER CAP	(NOT AVAILABLE)
009	12375-888-000	GASKET, TAPPET COVER	001
010	15130-888-010	COVER, OIL PUMP	001
011	15131-888-010	O-RING, PUMP COVER	001
012	15330-888-000	ROTOR (INNER)	(NOT AVAILABLE)
013	15332-115-000	ROTOR, OIL PUMP (OUTER)	(NOT AVAILABLE)
015	15620-888-671	CAP, OIL FILLER	001
016	15630-888-670	PIPE, OIL FILLER	(NOT AVAILABLE)
017	90011-883-630	NUT, OIL FILLER	001
018	90013-883-000	BOLT, FLANGE (6X12) (CT200)	009
019	90017-883-000	BOLT, FLANGE (6X32) (CT200)	007
020	90131-896-650	BOLT, DRAIN PLUG (12X15)	001
021	90131-888-010	BOLT, OIL DRAIN	(NOT AVAILABLE)
022	91202-883-005	OIL SEAL (25X41X6)	001
023	91202-883-005	OIL SEAL (25X41X6)	001
024	94109-12000	WASHER, DRAIN PLUG (12MM)	001
025	94109-20000	WASHER, DRAIN PLUG (20MM)	001
026	94301-08140	PIN, DOWEL (8X14)	002
027	96100-62050-00	BEARING, RADIAL BALL (6205)	001



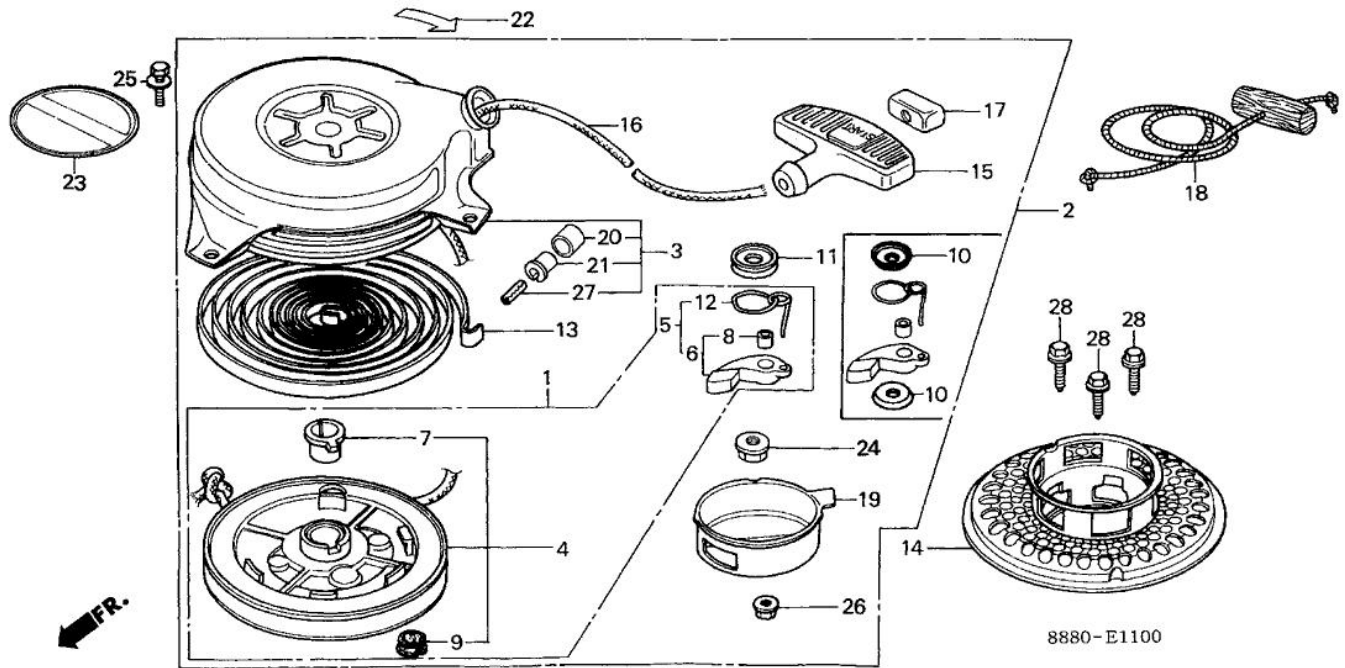
8880-E0701

Ref.	Part Number	Part Description	Qty.
001	13010-887-000	RING SET, PISTON (STD)	001
001	13011-887-000	RING SET, PISTON (0.25)	(1)
001	13012-887-000	RING SET, PISTON (0.50)	(1)
001	13013-887-000	RING SET, PISTON (0.75)	(1)
002	13101-887-003	PISTON (STD)	001
002	13102-887-000	PISTON (0.25)	(1)
002	13103-887-000	PISTON (0.50)	(1)
002	13104-887-000	PISTON (0.75)	(1)
003	13111-883-000	PIN, PISTON	001
004	13200-888-030	ROD ASSY., CONNECTING	001
004	13200-888-335	ROD ASSY., CONNECTING (UNDER SIZE)	(1)
005	13281-888-000	WASHER, CONNECTING ROD	001
006	13310-888-000	CRANKSHAFT	001
007	14110-888-010	CAMSHAFT ASSY.	001
007	14110-888-020	CAMSHAFT ASSY.	(1)
008	14311-888-300	GEAR, TIMING	001
009	90001-883-020	BOLT, CONNECTING ROD (7MM)	002
010	90432-889-003	WASHER, LOCK (7MM)	002
011	90452-883-000	WASHER, THRUST (18MM)	002
012	90551-883-000	CLIP, PISTON PIN (15MM)	002
012	94601-15000	CLIP, PISTON PIN (15MM)	002
013	94305-25162	PIN, SPRING (2.5X16)	001
014	13331-357-000	KEY, SPECIAL WOODRUFF (25X18)	001

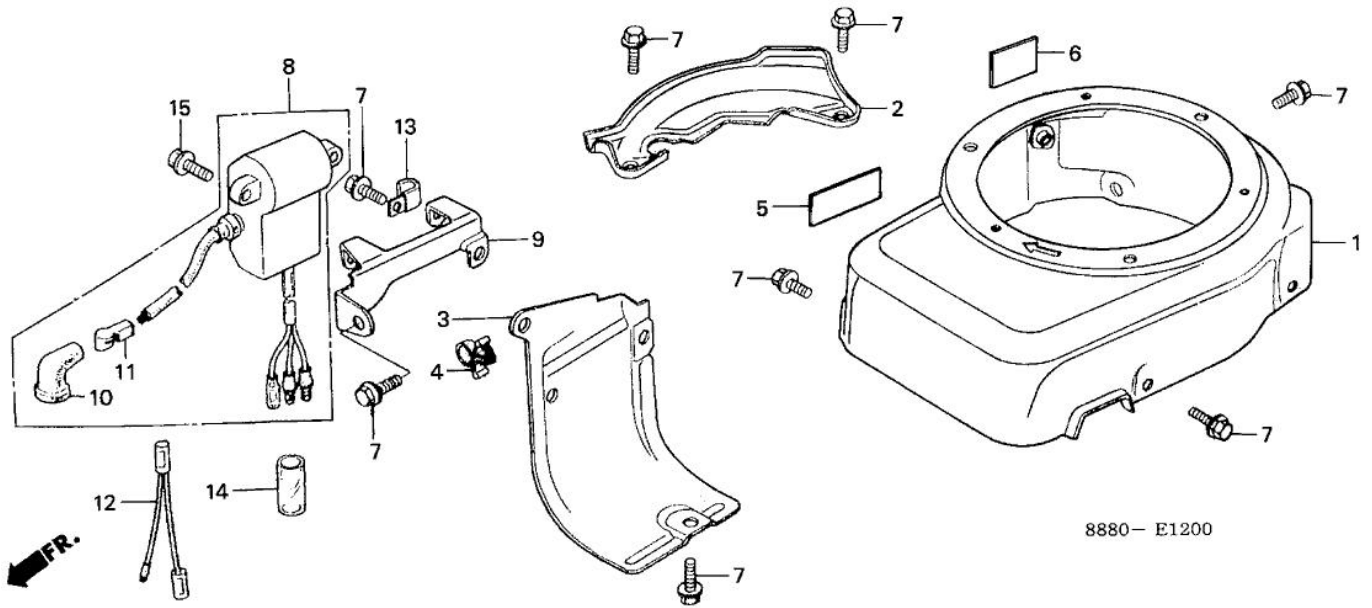


8880-E0900

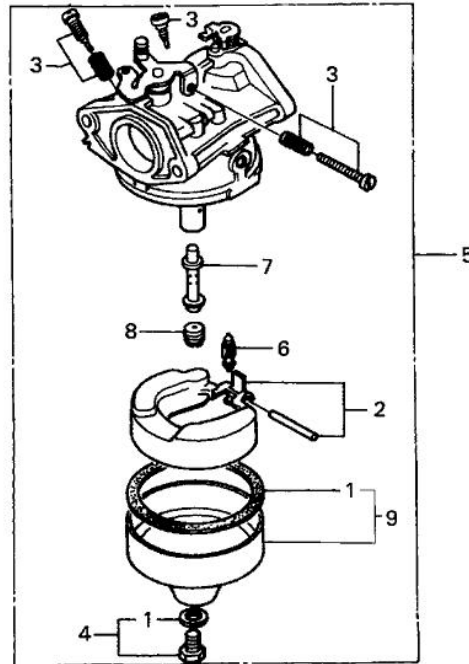
Ref.	Part Number	Part Description	Qty.
001	14711-887-000	VALVE, IN.	001
002	14721-887-000	VALVE, EX.	001
003	14738-888-010	LIFTER, VALVE (31.33)	(2)
003	14744-888-010	LIFTER, VALVE (31.51)	(2)
003	14749-888-000	LIFTER, VALVE (31.66)	(2)
004	14751-883-000	SPRING, VALVE	002
005	14771-883-305	RETAINER, VALVE SPRING	002
		(NOT AVAILABLE)	



Ref.	Part Number	Part Description	Qty.
001	28040-883-000	REEL KIT, STARTER (NOT AVAILABLE)	001
002	28400-888-030ZA	STARTER ASSY., RECOIL *NH67*(SPARKLE WHITE)	001
002	28400-888-040ZA	STARTER ASSY., RECOIL *NH67*(SPARKLE WHITE) (NOT AV...	001
003	28410-888-020ZA	CASE, STARTER *NH67*(SPARKLE WHITE)	001
003	28410-888-030ZA	CASE, STARTER *NH67*(SPARKLE WHITE) (NOT AVAILABLE)	001
004	28420-883-010	REEL, STARTER	001
004	28420-889-010	REEL, STARTER	001
005	28421-883-315	RATCHET KIT	001
006	28422-883-020	RATCHET	001
007	28424-883-000	BOSS, REEL	001
008	28425-883-300	BUSH, RATCHET (NOT AVAILABLE)	001
008	28425-889-300	BUSH, RATCHET	001
009	28427-883-300	BUSH, REEL STARTER	001
010	28431-883-000	PLATE, FRICTION (NOT AVAILABLE)	002
011	28432-883-000	PLATE, FRICTION	001
012	28441-883-020	SPRING, FRICTION	001
013	28442-883-000	SPRING, RETURN	001
014	28451-887-030	PULLEY, STARTER	001
015	28461-883-000	GRIP, STARTER	001
016	28462-888-000	ROPE, STARTER	001
017	28463-883-000	SUPPORT, GRIP	001
018	28470-816-000	ROPE, STARTER (1)	001
019	28474-883-010	COVER, STARTER REEL	001
020	28476-888-300	ROLLER, GUIDE (NOT AVAILABLE)	001
021	28477-888-300	BUSH, ROLLER	001
023	87521-888-010	EMBLEM	001
024	90115-659-003	NUT, SELF-LOCK (8MM) (CLINCH)	001
025	95701-06008-00	BOLT, FLANGE (6X8)	003
026	94050-05000	NUT, FLANGE (5MM)	001
027	94305-30182	PIN, SPRING (3X18)	001
028	95701-06016-08	BOLT, FLANGE (6X16)	003

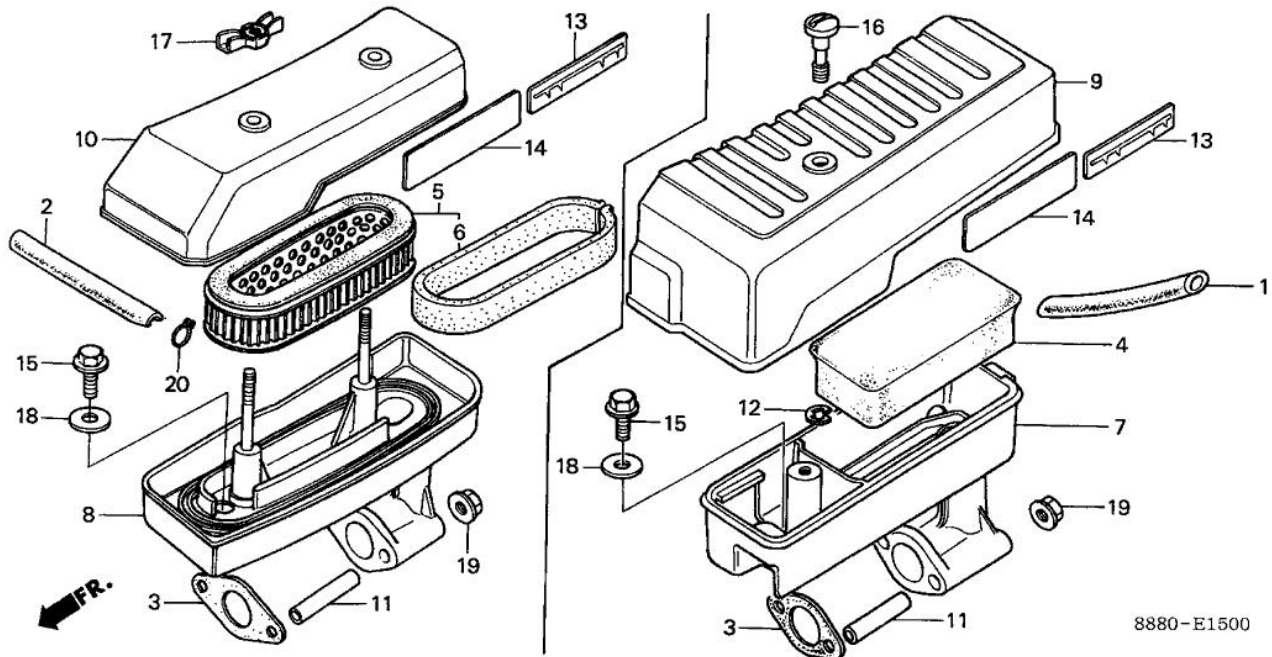


Ref.	Part Number	Part Description	Qty.
001	19610-888-671ZB	COVER, FAN *NH67*(SPARKLE WHITE)	001
002	19621-888-000	PLATE, SIDE	001
003	19631-888-010	SHROUD	001
004	30701-883-000	CLIP, IGNITION WIRE (8MM)	001
006	87594-888-000	MARK, OIL CAUTION	(NOT AVAILABLE) 001
007	90013-883-000	BOLT, FLANGE (6X12) (CT200)	008



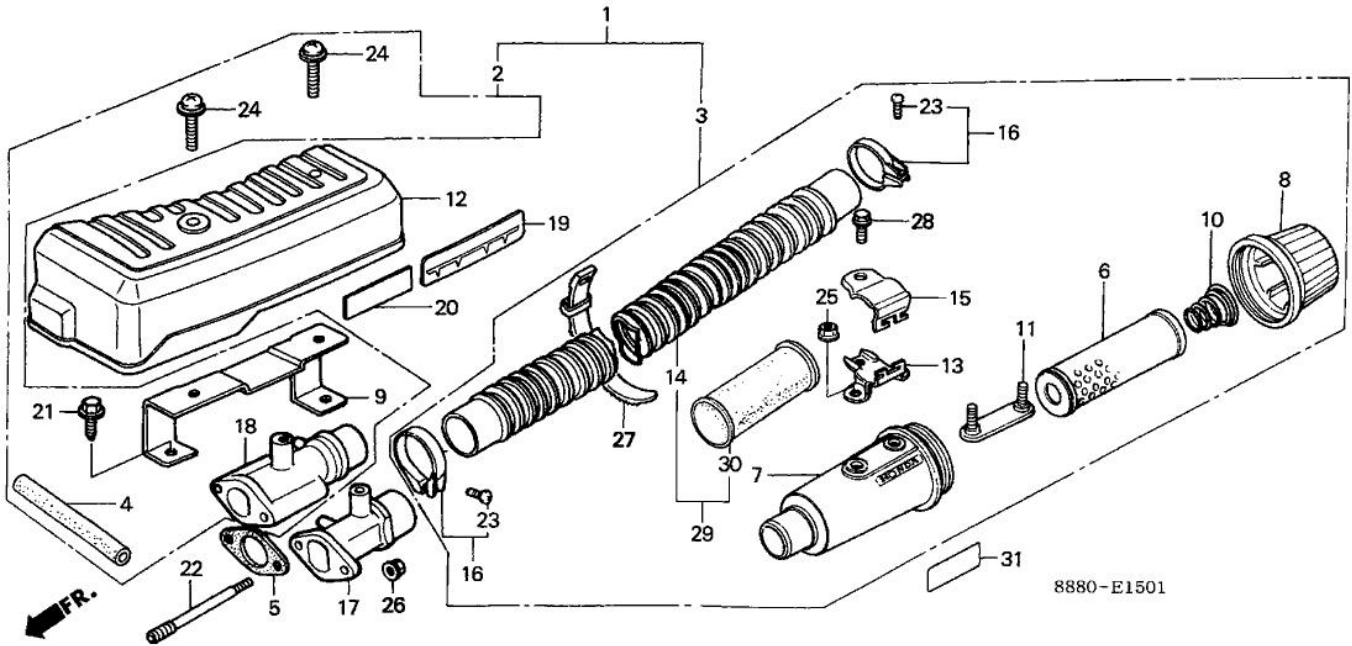
8880-E1400

Ref.	Part Number	Part Description	Qty.
001	16010-883-015	GASKET SET (CARBURETOR NO.)	001
001	16010-883-015	GASKET SET (CARBURETOR NO.)	001
002	16013-883-005	FLOAT SET	001
003	16016-148-611	SCREW SET A (CARBURETOR NO.)	001
003	16016-888-005	SCREW SET A (CARBURETOR NO.)	001
003	16016-894-005	SCREW SET A (CARBURETOR NO.)	(NOT AVAILABLE) 001
004	16028-883-005	SCREW SET B	001
005	16100-888-045	CARBURETOR ASSY. (BB27A C)	(NOT AVAILABLE) 001
005	16100-888-055	CARBURETOR ASSY. (BB27A D)	(NOT AVAILABLE) 001
005	16100-888-065	CARBURETOR ASSY. (BB27A E)	001
006	16155-883-005	VALVE, FLOAT	001
007	16166-888-005	NOZZLE, MAIN	001
008	99101-124-0580	JET, MAIN (#58)	(1)
008	99101-124-0600	JET, MAIN (#60)	(1)
008	99101-124-0620	JET, MAIN (#62)	(1)
008	99101-124-0650	JET, MAIN (#65)	001
009	16015-891-003	CHAMBER SET, FLOAT (CARBURETOR NO.)	001
009	16015-896-701	CHAMBER SET, FLOAT (CARBURETOR NO.)	(NOT AVAILABLE) 001

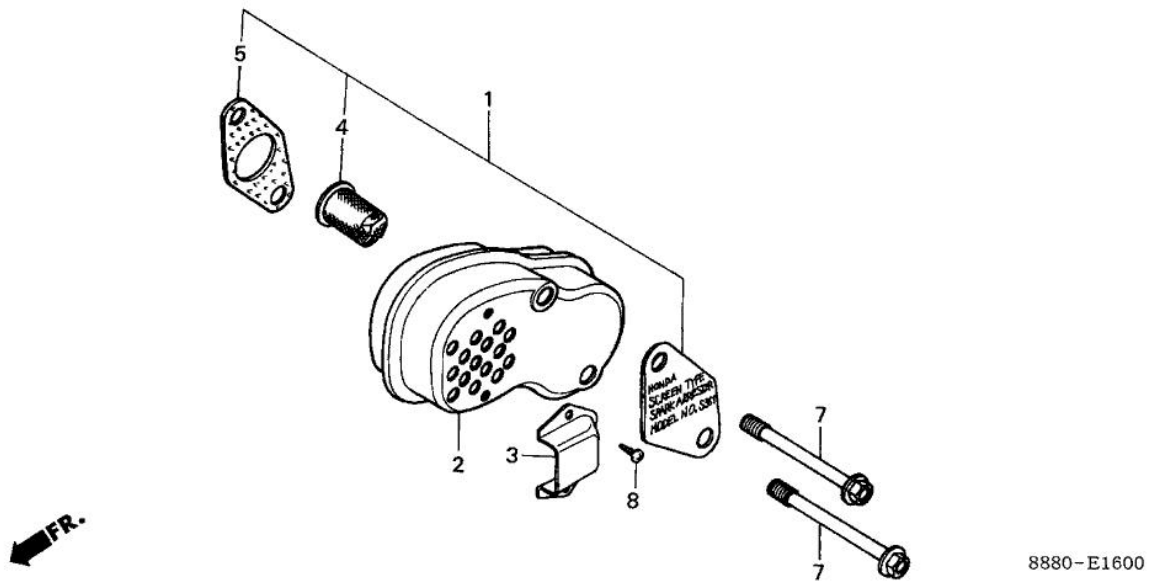


8880-E1500

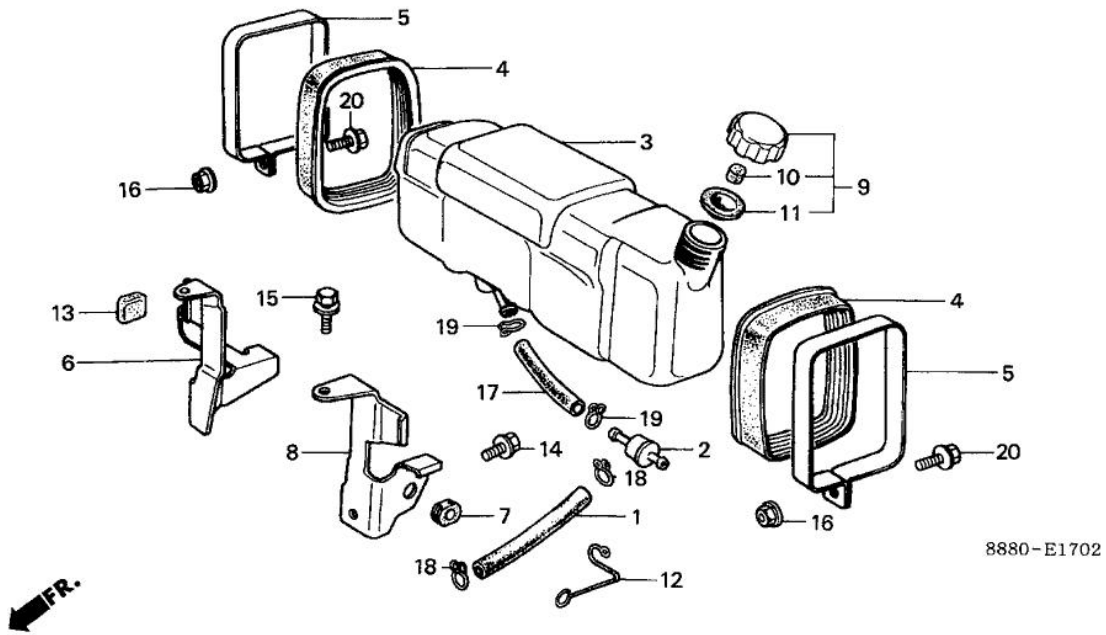
Ref.	Part Number	Part Description	Qty.
002	15721-888-693	TUBE, BREATHER (NOT AVAILABLE)	001
003	16269-883-800	GASKET, AIR CLEANER	001
005	17210-ZE6-003	ELEMENT, AIR CLEANER	001
005	17210-ZE6-505	ELEMENT, AIR CLEANER	001
006	17218-888-003	FILTER (OUTER)	001
006	17218-ZE6-505	FILTER (OUTER)	001
008	17220-888-020	HOUSING, AIR CLEANER (NOT AVAILABLE)	001
010	17231-888-010B	COVER, AIR CLEANER(BLACK)	001
011	17238-888-000	COLLAR, AIR CLEANER HOUSING (NOT AVAILABLE)	002
013	87523-888-010	MARK, CONTROL	001
014	87524-888-670	MARK, AIR CLEANER CAUTION	001
014	87524-888-671	MARK, AIR CLEANER CAUTION (NOT AVAILABLE)	001
015	90013-883-000	BOLT, FLANGE (6X12) (CT200)	001
017	90203-PB2-000	NUT, AIR CLEANER COVER (DACRO COATING)	002
018	90522-034-000	WASHER, HEADLIGHT CASE	001
019	94050-06080	NUT, FLANGE (6MM)	002
020	95002-02130	CLIP, TUBE (B12.5)	001



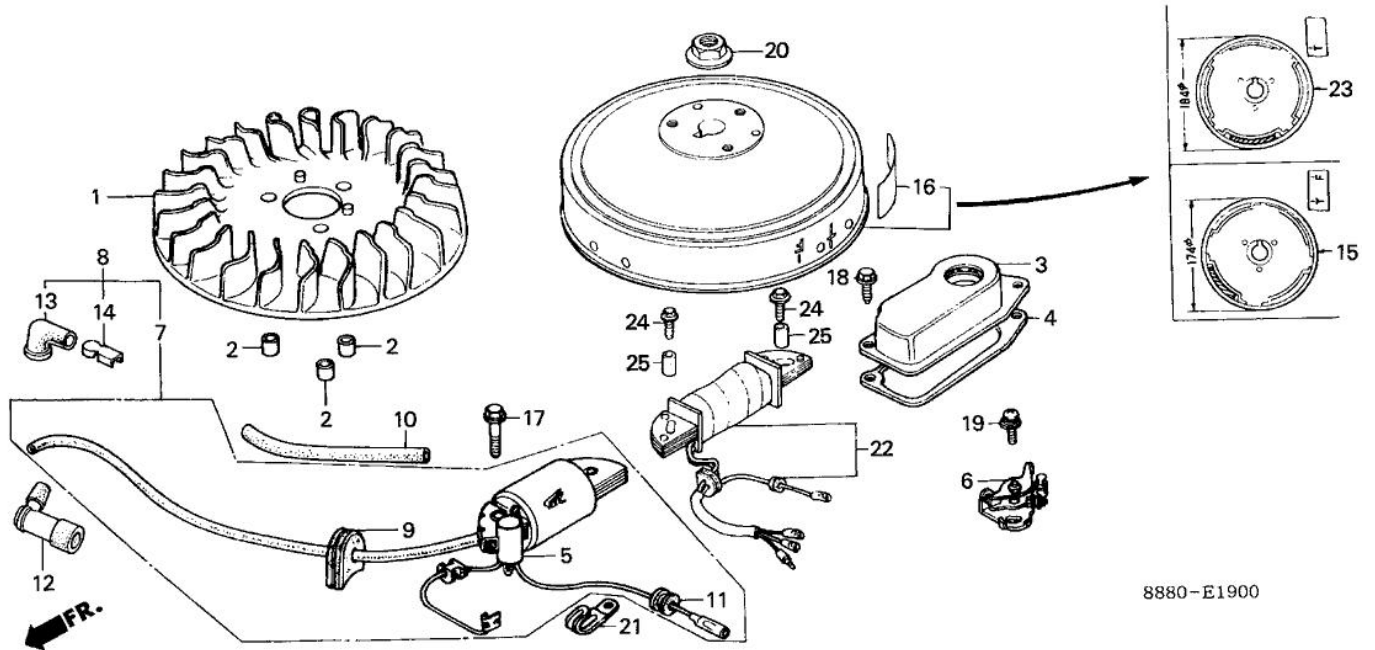
Ref.	Part Number	Part Description	Qty.
001	06170-888-811	AIR CLEANER KIT, SNORKEL JOINT	(1)
002	06171-888-811	JOINT KIT, SNORKEL AIR CLEANER	(1)
003	06172-888-810	AIR CLEANER KIT, SNORKEL	(1)
004	15721-888-810	TUBE, BREATHER	(1)
006	17211-888-692	ELEMENT, AIR CLEANER	(1)
007	17220-888-691	HOUSING, AIR CLEANER	(1)
008	17231-888-691	CAP, AIR CLEANER	(1)
009	17232-888-690	STAY, CARBURETOR COVER	(1)
010	17233-888-691	SPRING, SETTING	(1)
011	17234-888-691	PLATE, AIR CLEANER SETTING	(1)
013	17236-888-691	BRACKET A, AIR CLEANER	(1)
014	17237-888-691	HOSE, AIR CLEANER	(1)
015	17239-888-690	BRACKET B, AIR CLEANER	(1)
016	95018-34250	BAND, AIR CLEANER CONNECTING TUBE (34)	(2)
018	17411-888-810	JOINT, TUBE CONNECTING	(1)
021	90013-883-000	BOLT, FLANGE (6X12) (CT200)	(2)
023	93500-04025-0A	SCREW, PAN (4X25)	(2)
024	93891-06025-08	SCREW-WASHER (6X25)	(2)
025	94050-06000	NUT, FLANGE (6MM)	(2)
027	95014-62300	BAND B3, WIRE	(3)
028	95701-06016-00	BOLT, FLANGE (6X16)	(1)
		(N/A: SEE COMPONENTS)	



Ref.	Part Number	Part Description	Qty.
001	06180-888-505	ARRESTER KIT, SPARK	(1)
002	18310-888-000	MUFFLER	(NOT AVAILABLE) 001
003	18351-888-810	DEFLECTOR, MUFFLER	(NOT AVAILABLE) (1)
004	06180-888-505	ARRESTER KIT, SPARK	(1)
005	18381-883-800	GASKET, MUFFLER	001
007	90011-888-000	BOLT, FLANGE (8X90)	002
008	93901-14110	SCREW, TAPPING (4X8)	(NOT AVAILABLE) (2)

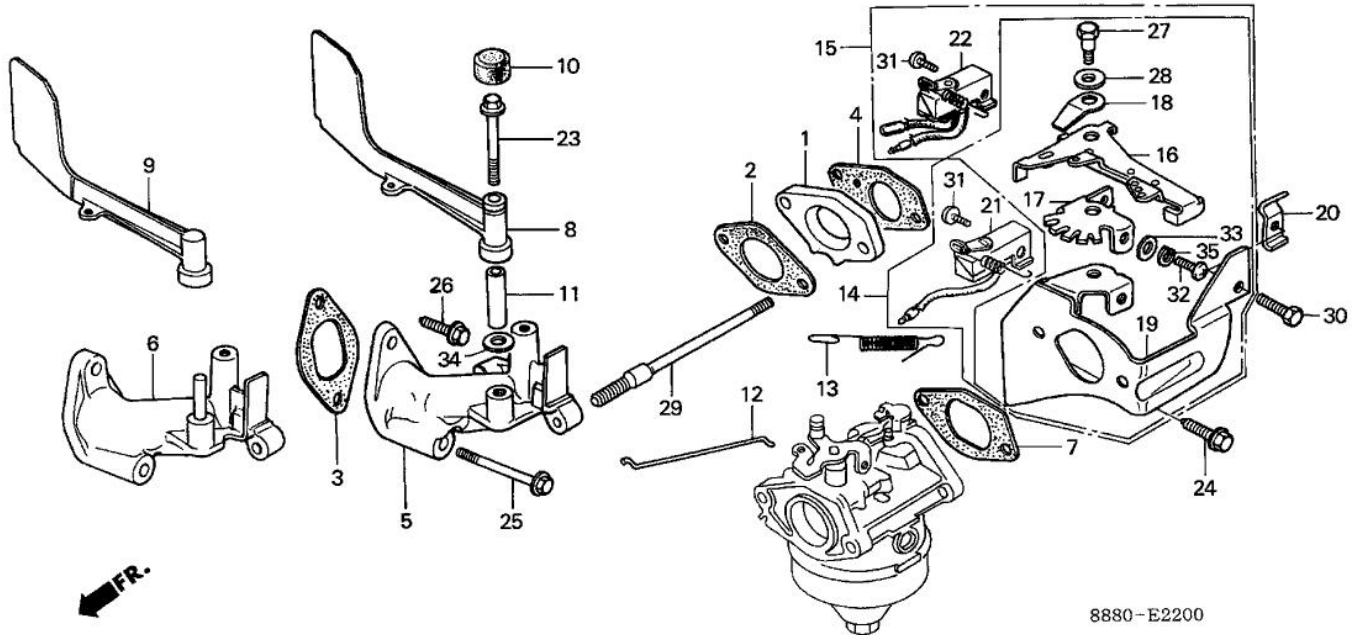


Ref.	Part Number	Part Description	Qty.
001	95001-45003-60M	BULK HOSE, FUEL (4.5X3000) OEM CUT SIZE: (4.5X120)	001
001	95001-45003-60M	BULK HOSE, FUEL (4.5X3000) OEM CUT SIZE: (4.5X120)	001
002	16910-GB2-005	FILTER, FUEL	001
002	16952-952-003	FILTER, FUEL	001
003	17500-879-670ZA	TANK, FUEL *NH1*	001
004	17515-879-670	RUBBER, TANK SEAT (NOT AVAILABLE)	002
005	17518-879-670	BAND, FUEL TANK (NOT AVAILABLE)	002
006	17521-888-670	STAY A, TANK	001
007	17523-888-670	GROMMET, FUEL TUBE	001
008	17525-888-671	STAY B, TANK	001
009	17620-888-010	CAP ASSY., FUEL TANK	001
009	17620-888-020	CAP ASSY., FUEL TANK (NOT AVAILABLE)	001
010	17622-888-010	SPONGE, FUEL CAP BREATHER	001
011	17624-355-010	GASKET, FUEL CAP	001
011	17624-896-750	GASKET, FUEL CAP (NOT AVAILABLE)	001
012	30564-883-630	CLAMP, IGNITION WIRE	001
013	36058-657-003	RUBBER, CUSHION (NOT AVAILABLE)	001
014	90013-883-000	BOLT, FLANGE (6X12) (CT200)	002
015	93401-06010-08	BOLT-WASHER (6X10)	002
016	94050-06000	NUT, FLANGE (6MM)	002
017	17512-888-000	TUBE, FUEL (NOT AVAILABLE)	001
017	95001-55003-60M	BULK HOSE, FUEL (5.5X3000) OEM CUT SIZE: (5.3X110) (SOURCE: VINTAG...	001
018	95002-02080	CLIP, TUBE (B8)	002
019	95002-02100	CLIP, TUBE (B10)	002
020	95701-06012-08	BOLT, FLANGE (6X12)	002

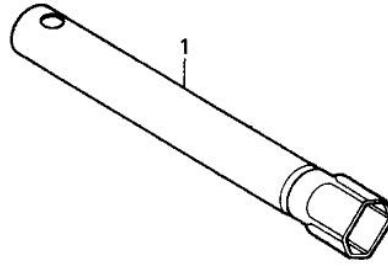


8880-E1900

Ref.	Part Number	Part Description	Qty.
001	19511-887-030	FAN, COOLING	001
002	19512-883-000	COLLAR, FAN	003
003	30211-883-000	COVER, BREAKER	001
004	30215-883-000	GASKET, BREAKER COVER	(NOT AVAILABLE)
005	30251-883-003	CONDENSER	001
006	30280-883-005	POINTS ASSY.	001
008	30560-888-035	COIL ASSY., IGNITION	(NOT AVAILABLE)
009	30563-883-000	GROMMET, WIRE	001
011	30569-888-000	GROMMET, PRIMARY WIRE	(NOT AVAILABLE)
013	30701-888-004	CAP, IGNITION (TOYO)	001
014	30702-888-003	TERMINAL, PLUG	001
015	31100-887-040	FLYWHEEL (POINT)	001
016	87541-896-000	MARK, FLYWHEEL CAUTION	001
017	90017-883-000	BOLT, FLANGE (6X32) (CT200)	002
018	90019-883-000	BOLT, FLANGE (5X10)	002
019	90051-883-000	SCREW-WASHER (5X12)	001
020	90201-878-003	NUT, SPECIAL (14MM)	001
021	91405-671-000	CLIP, WIRE	001

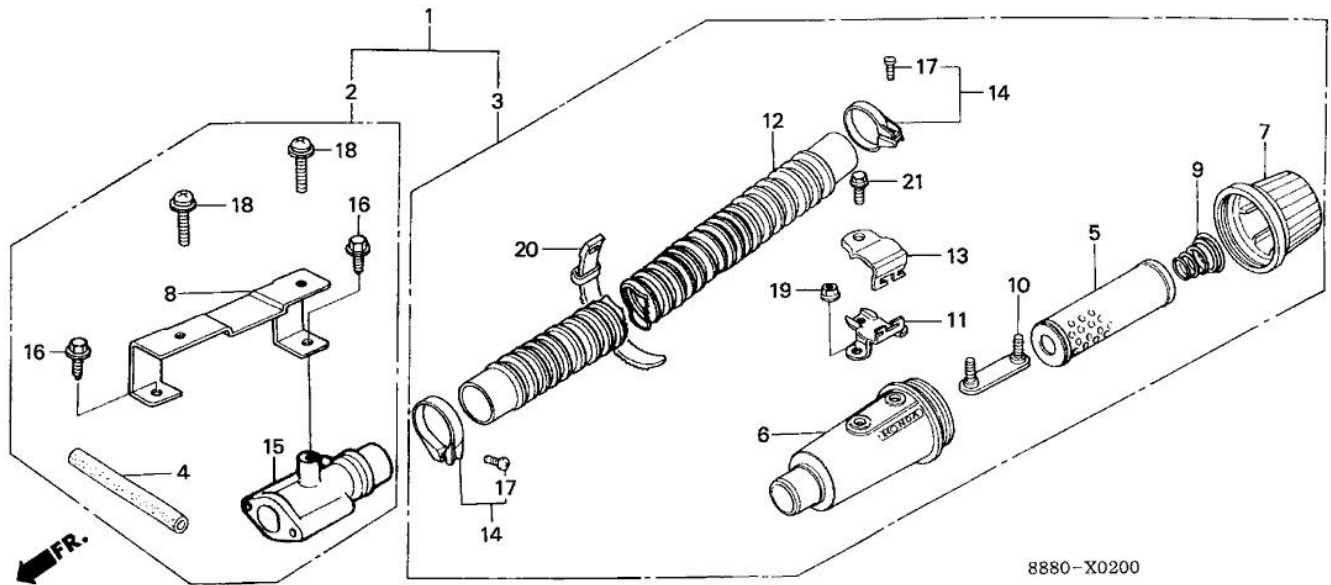


Ref.	Part Number	Part Description	Qty.
001	16211-887-000	INSULATOR, CARBURETOR	001
002	16212-887-306	GASKET, INSULATOR	001
003	16220-888-000	GASKET, MANIFOLD	(NOT AVAILABLE) 001
004	16221-883-306	GASKET, CARBURETOR	001
004	16221-887-800	GASKET, CARBURETOR	001
006	16224-888-030	MANIFOLD, IN.	001
006	16224-888-040	MANIFOLD, IN.	(NOT AVAILABLE) 001
007	16269-883-800	GASKET, AIR CLEANER	001
009	16512-888-030	FLUTTER, GOVERNOR	(NOT AVAILABLE) 001
012	16555-888-010	ROD, GOVERNOR	(NOT AVAILABLE) 001
013	16561-888-020	SPRING, GOVERNOR	001
015	16570-888-670	CONTROL ASSY.	001
016	16571-888-010	LEVER, CONTROL	001
017	16572-888-010	PLATE, LEVER SETTING	001
018	16573-879-010	SPRING, LEVER SETTING	(NOT AVAILABLE) 001
019	17235-888-010	STAY, CLEANER CASE	001
020	17251-888-010	HOLDER, WIRE	001
022	36100-888-672	SWITCH ASSY., ENGINE STOP	001
024	90013-883-000	BOLT, FLANGE (6X12) (CT200)	001
025	90014-888-000	BOLT, FLANGE (6X50)	001
026	90022-888-010	BOLT, FLANGE (6X20) (CT200)	001
027	90025-888-010	BOLT, CONTROL LEVER	001
028	90026-888-000	WASHER (7MM)	(NOT AVAILABLE) 001
029	90043-888-000	BOLT, STUD (6X141)	(NOT AVAILABLE) 002
029	90043-888-010	BOLT, STUD (6X141)	(NOT AVAILABLE) 002
030	92101-06012	BOLT, HEX. (6X12)	001
030	92101-06012-0A	BOLT, HEX. (6X12)	001
031	93500-04008-0A	SCREW, PAN (4X8)	001
032	93500-05008-0A	SCREW, PAN (5X8)	001
033	94101-05000	WASHER, PLAIN (5MM)	001
035	94111-05000	WASHER, SPRING (5MM)	001



8880— E2900

Ref.	Part Number	Part Description	Qty.
001	89216-888-000	WRENCH, SPARK PLUG	001



8880-X0200

Ref.	Part Number	Part Description	Qty.
001	06170-888-811	AIR CLEANER KIT, SNORKEL JOINT	(1)
002	06171-888-811	JOINT KIT, SNORKEL AIR CLEANER	(1)
003	06172-888-810	AIR CLEANER KIT, SNORKEL	(1)
004	15721-888-810	TUBE, BREATHER	(1)
005	17211-888-692	ELEMENT, AIR CLEANER	(1)
006	17220-888-691	HOUSING, AIR CLEANER	(1)
007	17231-888-691	CAP, AIR CLEANER	(1)
008	17232-888-690	STAY, CARBURETOR COVER	(1)
009	17233-888-691	SPRING, SETTING	(1)
010	17234-888-691	PLATE, AIR CLEANER SETTING	(1)
011	17236-888-691	BRACKET A, AIR CLEANER	(1)
012	17237-888-691	HOSE, AIR CLEANER	(1)
013	17239-888-690	BRACKET B, AIR CLEANER	(1)
014	95018-34250	BAND, AIR CLEANER CONNECTING TUBE (34)	(2)
015	17411-888-810	JOINT, TUBE CONNECTING	(1)
016	90013-883-000	BOLT, FLANGE (6X12) (CT200)	(2)
017	93500-04025-0A	SCREW, PAN (4X25)	(2)
018	93891-06025-08	SCREW-WASHER (6X25)	(2)
019	94050-06000	NUT, FLANGE (6MM)	(2)
020	95014-62300	BAND B3, WIRE	(3)
021	95701-06016-00	BOLT, FLANGE (6X16)	(1)