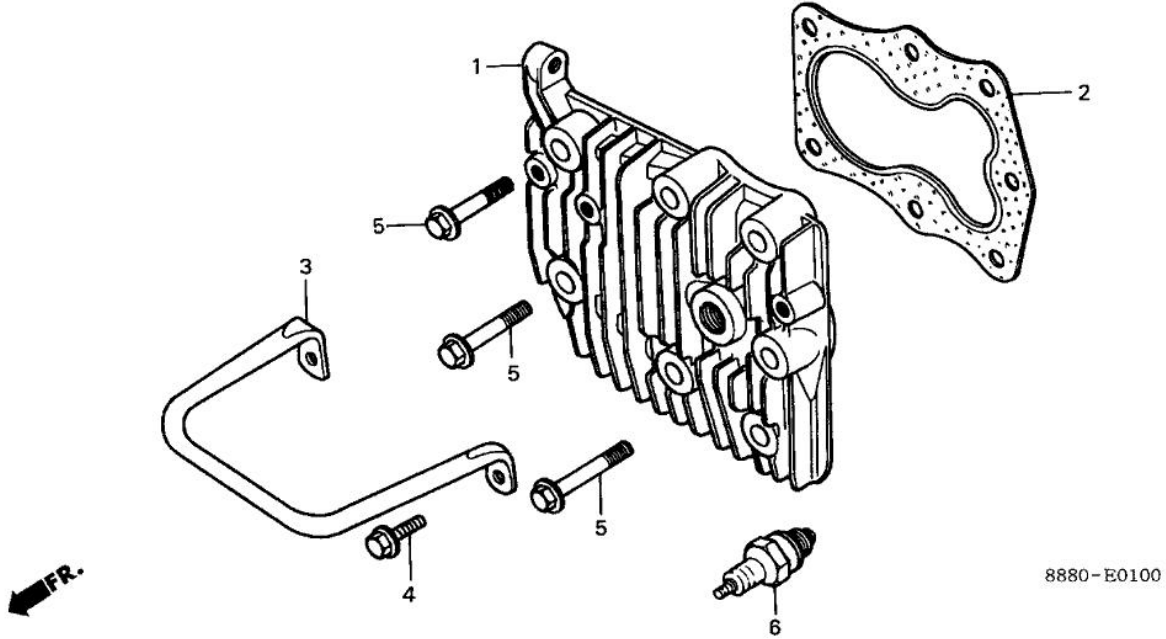
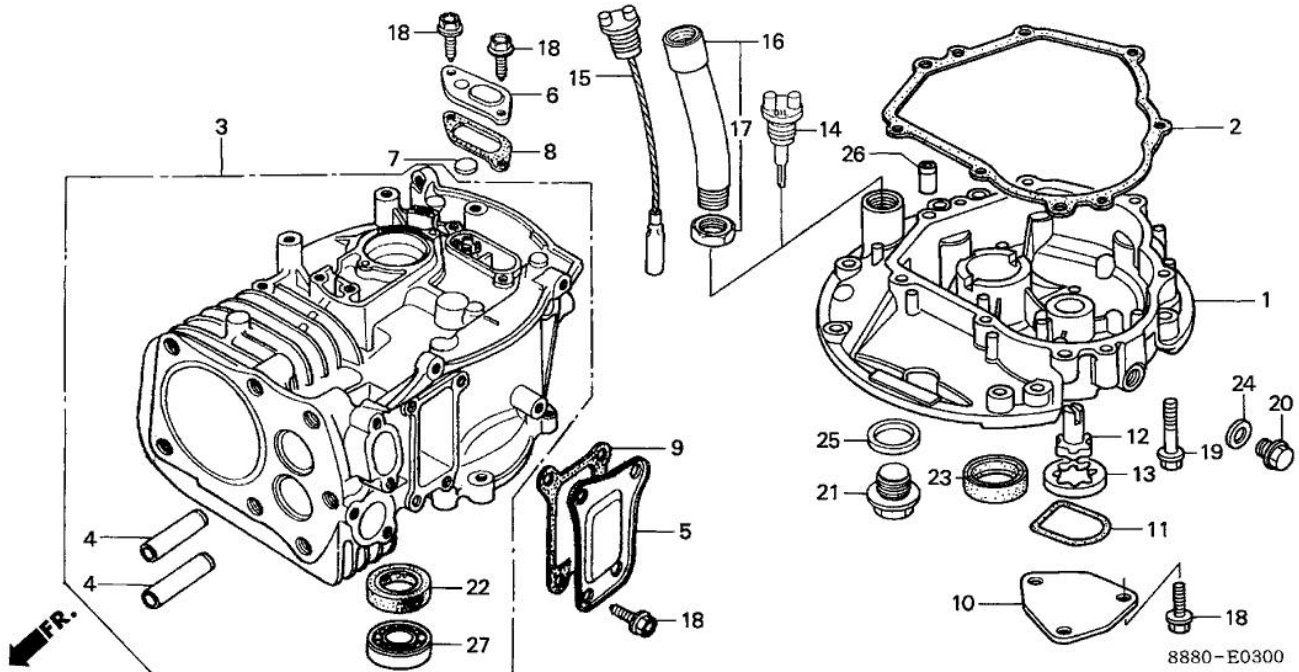


TRU-POWER, INC.

Model Name	GV150	Product Line	GENERAL PURPOSE ENGINE
Mfg		Type	A2
Section	ENGINE	Illustration	CYLINDER HEAD



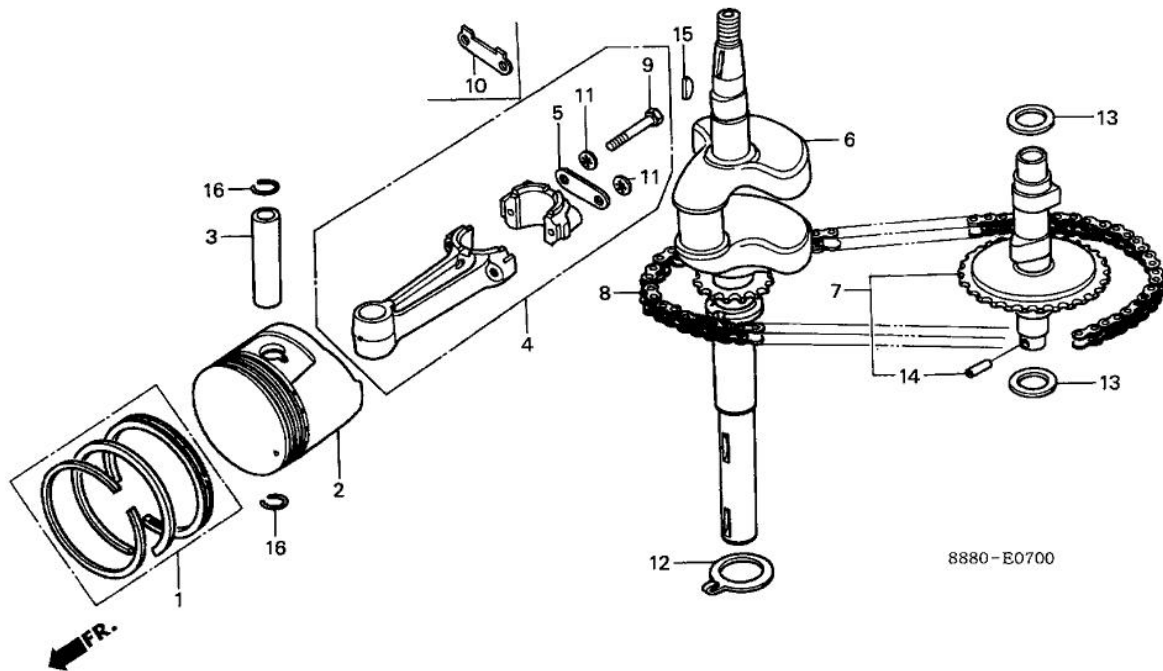
Ref.	Part Number	Part Description	Qty.
001	12221-888-305	CYLINDER HEAD (NOT AVAILABLE)	001
001	12221-888-315	CYLINDER HEAD (NOT AVAILABLE)	001
002	12281-888-000	GASKET, CYLINDER HEAD (NOT AVAILABLE)	001
003	19671-888-810	GUARD, PLUG	(1)
003	19671-888-811	GUARD, PLUG	001
004	90013-883-000	BOLT, FLANGE (6X12) (CT200)	(2)
005	95700-08045-08	BOLT, FLANGE (8X45)	007
005	95701-08045-08	BOLT, FLANGE (8X45)	007
006	98073-56744	SPARK PLUG (BMR6A) (NGK)	001
006	98076-54716	SPARK PLUG (BR-4HS) (NGK)	001



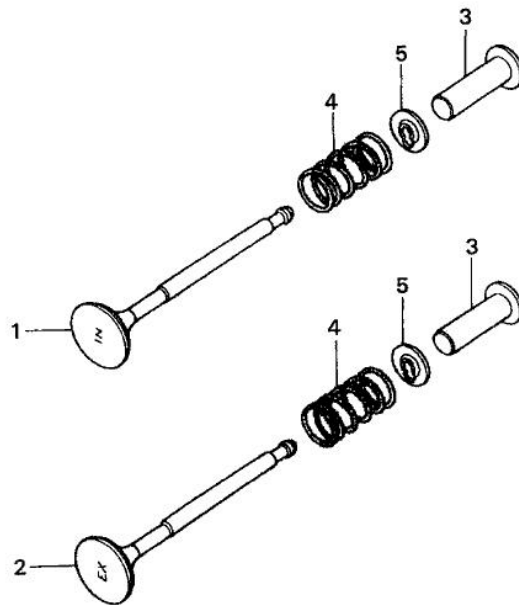
8880-E0300

Ref.	Part Number	Part Description	Qty.
001	11310-888-000	PAN, OIL	001
001	11310-888-010	PAN, OIL	(NOT AVAILABLE) 001
002	11381-888-306	GASKET, OIL PAN	001
003	12000-888-305	CYLINDER ASSY.	001
003	12000-888-315	CYLINDER ASSY.	001
003	12000-888-325	CYLINDER ASSY.	001
003	12000-888-335	CYLINDER ASSY.	(NOT AVAILABLE) 001
004	12133-887-306	GUIDE, VALVE (OVER SIZE)	(2)
004	12134-887-305	GUIDE, VALVE (OVER SIZE)	(2)
005	12361-888-000	COVER, TAPPET ROOM	001
006	12370-888-000	CAP, BREATHER CHAMBER	001
007	12372-879-000	VALVE, BREATHER	001
008	12373-888-000	GASKET, BREATHER CAP	(NOT AVAILABLE) 001
009	12375-888-000	GASKET, TAPPET COVER	001
010	15130-888-000	COVER, OIL PUMP	001
011	15131-888-000	O-RING, PUMP COVER	001
012	15330-888-000	ROTOR (INNER)	(NOT AVAILABLE) 001
013	15332-115-000	ROTOR, OIL PUMP (OUTER)	(NOT AVAILABLE) 001
015	15620-888-671	CAP, OIL FILLER	001
016	15630-888-670	PIPE, OIL FILLER	(NOT AVAILABLE) 001
017	90011-883-630	NUT, OIL FILLER	001
018	90013-883-000	BOLT, FLANGE (6X12) (CT200)	009
019	90017-883-000	BOLT, FLANGE (6X32) (CT200)	007
020	90131-896-650	BOLT, DRAIN PLUG (12X15)	001
021	90131-888-000	BOLT, OIL DRAIN	001
021	90131-888-010	BOLT, OIL DRAIN	(NOT AVAILABLE) 001
022	91202-883-005	OIL SEAL (25X41X6)	001
023	91201-ZG9-U71	OIL SEAL (25X38X7)	001
023	91252-888-003	OIL SEAL (25X38X7) (ARAI)	001
024	94109-12000	WASHER, DRAIN PLUG (12MM)	001
025	94109-20000	WASHER, DRAIN PLUG (20MM)	001
026	94301-08140	PIN, DOWEL (8X14)	002

Ref.	Part Number	Part Description	Qty.
027	96100-62050-00	BEARING, RADIAL BALL (6205)	001

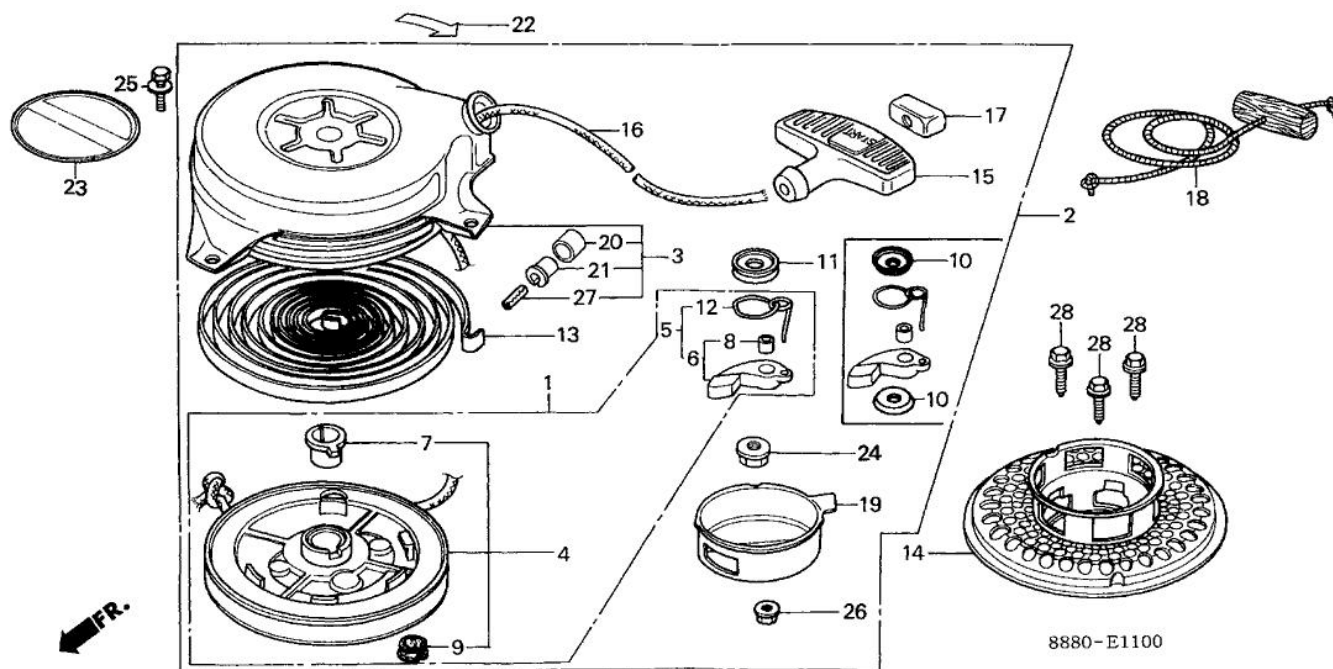


Ref.	Part Number	Part Description	Qty.
001	13010-887-000	RING SET, PISTON (STD)	001
001	13011-887-000	RING SET, PISTON (0.25)	(1)
001	13012-887-000	RING SET, PISTON (0.50)	(1)
001	13013-887-000	RING SET, PISTON (0.75)	(1)
002	13101-887-000	PISTON (STD)	001
002	13101-887-003	PISTON (STD)	001
002	13102-887-000	PISTON (0.25)	(1)
002	13103-887-000	PISTON (0.50)	(1)
002	13104-887-000	PISTON (0.75)	(1)
003	13111-883-000	PIN, PISTON	001
004	13200-888-030	ROD ASSY., CONNECTING	001
004	13200-888-305	ROD ASSY., CONNECTING (UNDER SIZE)	(1)
004	13200-888-315	ROD ASSY., CONNECTING (UNDER SIZE)	(1)
004	13200-888-335	ROD ASSY., CONNECTING (UNDER SIZE)	(1)
005	13281-879-000	WASHER A, CONNECTING ROD	001
005	13281-888-000	WASHER, CONNECTING ROD	001
006	13311-888-640	CRANKSHAFT (N2)	001
007	14110-888-000	CAMSHAFT ASSY.	001
008	14411-888-305	CHAIN, CAM	(1)
009	90001-883-000	BOLT, CONNECTING ROD (6MM)	002
009	90001-883-010	BOLT, CONNECTING ROD (6MM)	(1)
009	90001-883-020	BOLT, CONNECTING ROD (7MM)	002
010	90431-883-000	WASHER B, CONNECTING ROD	001
011	90432-883-000	WASHER, LOCK (6MM)	(1)
011	90432-889-003	WASHER, LOCK (7MM)	002
012	90450-888-000	WASHER, THRUST (35MM)	001
013	90452-883-000	WASHER, THRUST (18MM)	002
014	94305-25162	PIN, SPRING (2.5X16)	001
015	94401-25180	KEY, WOODRUFF (25X18)	001
016	90551-883-000	CLIP, PISTON PIN (15MM)	002
016	94601-15000	CLIP, PISTON PIN (15MM)	002

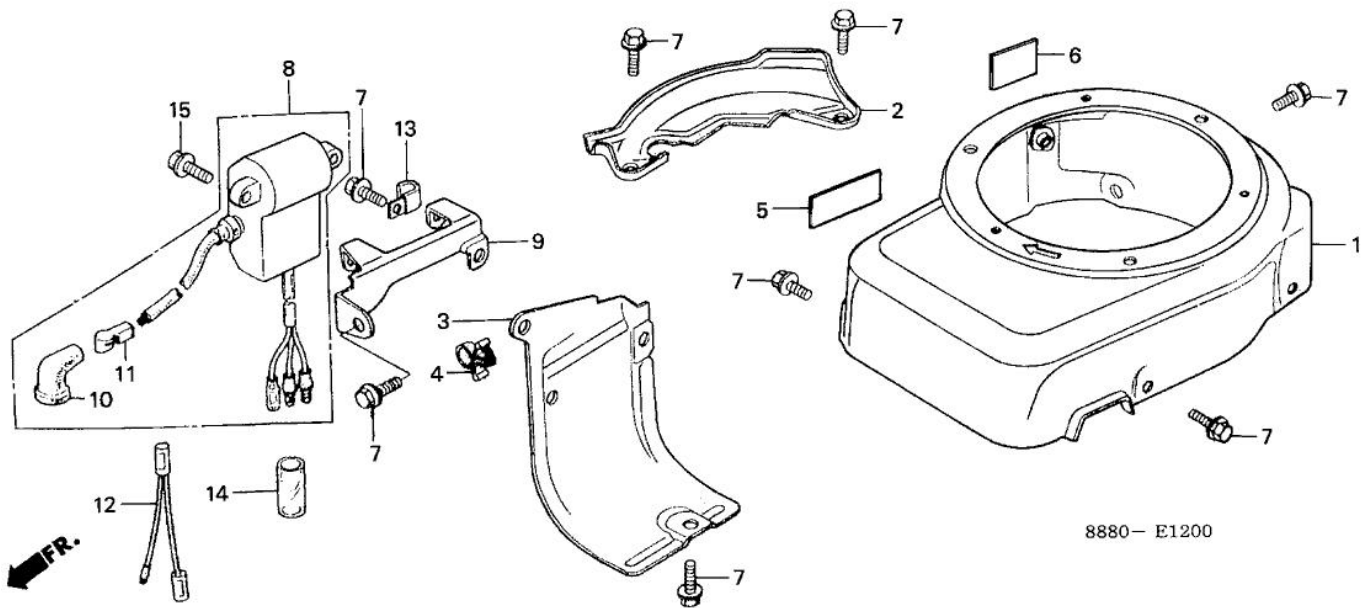


8880-E0900

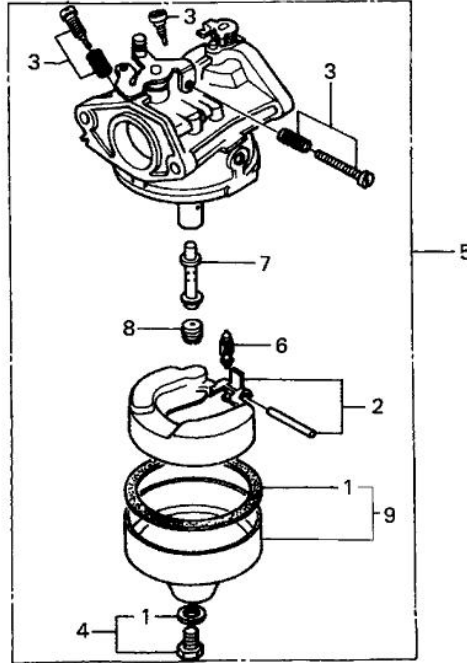
Ref.	Part Number	Part Description	Qty.
001	14711-887-000	VALVE, IN.	001
002	14721-887-000	VALVE, EX.	001
003	14738-888-010	LIFTER, VALVE (31.33)	(2)
003	14744-888-000	LIFTER, VALVE (31.51)	(2)
003	14744-888-010	LIFTER, VALVE (31.51)	(2)
003	14749-888-000	LIFTER, VALVE (31.66)	(2)
004	14751-883-000	SPRING, VALVE	002
005	14771-883-305	RETAINER, VALVE SPRING	002
		(NOT AVAILABLE)	



Ref.	Part Number	Part Description	Qty.
002	28400-888-010H	STARTER ASSY., RECOIL(BRIGHT RED)	001
002	28400-888-020H	STARTER ASSY., RECOIL(BRIGHT RED)	001
002	28400-888-030ZA	STARTER ASSY., RECOIL *NH67*(SPARKLE WHITE)	001
002	28400-888-303H	STARTER ASSY., RECOIL(BRIGHT RED)	001
003	28410-888-030H	CASE, STARTER(BRIGHT RED)	001
004	28420-883-000	REEL, STARTER	001
004	28420-883-010	REEL, STARTER	001
005	28421-883-315	RATCHET KIT	001
006	28421-883-315	RATCHET KIT	001
006	28422-883-020	RATCHET	001
007	28424-883-000	BOSS, REEL	001
008	28425-883-300	BUSH, RATCHET	(NOT AVAILABLE)
009	28427-883-300	BUSH, REEL STARTER	001
010	28431-883-000	PLATE, FRICTION	(NOT AVAILABLE)
012	28421-883-315	RATCHET KIT	001
012	28441-883-020	SPRING, FRICTION	001
013	28442-883-000	SPRING, RETURN	001
014	28451-887-030	PULLEY, STARTER	001
015	28461-883-000	GRIP, STARTER	001
016	28462-888-000	ROPE, STARTER	001
017	28463-883-000	SUPPORT, GRIP	001
019	28474-883-010	COVER, STARTER REEL	001
020	28476-888-300	ROLLER, GUIDE	(NOT AVAILABLE)
021	28477-888-300	BUSH, ROLLER	001
023	87521-888-010	EMBLEM	001
024	90115-659-003	NUT, SELF-LOCK (8MM) (CLINCH)	001
025	93401-06010-08	BOLT-WASHER (6X10)	003
026	94050-05000	NUT, FLANGE (5MM)	001
027	94305-30182	PIN, SPRING (3X18)	001
028	95701-06016-08	BOLT, FLANGE (6X16)	003



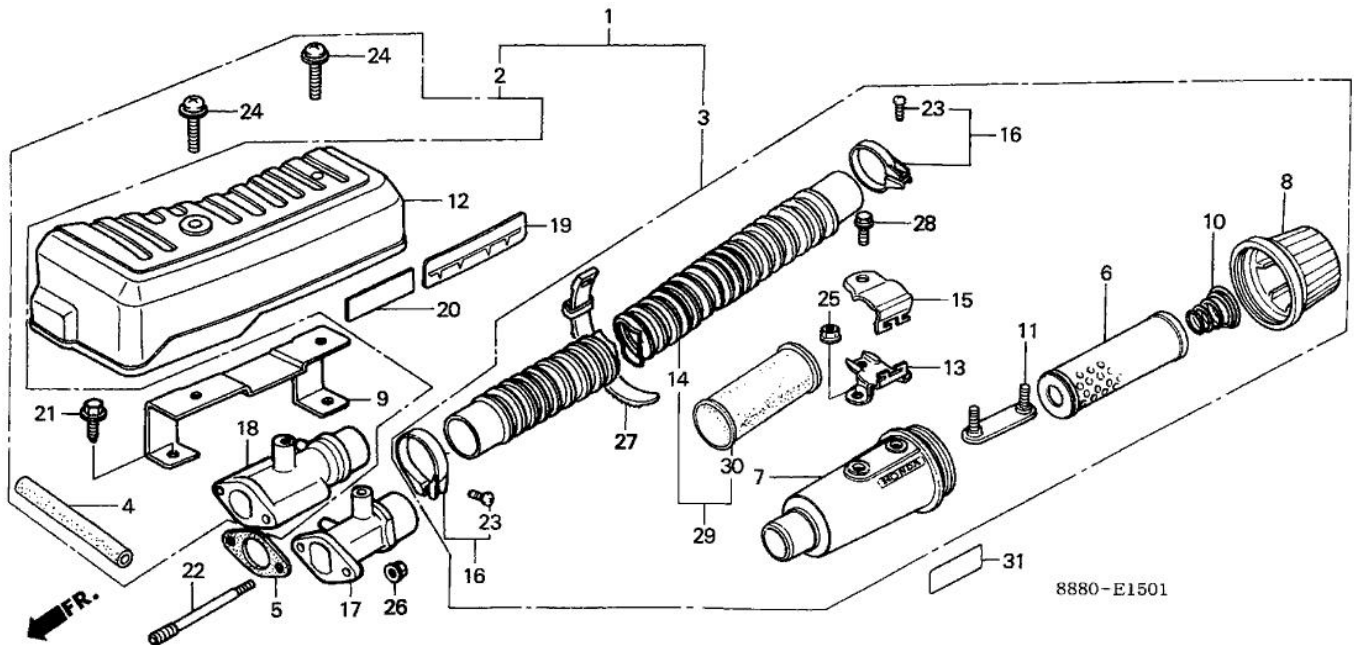
Ref.	Part Number	Part Description	Qty.
001	19610-888-671ZB	COVER, FAN *NH67*(SPARKLE WHITE)	001
002	19621-888-000	PLATE, SIDE	001
003	19631-888-010	SHROUD	001
004	30701-883-000	CLIP, IGNITION WIRE (8MM)	001
006	87594-888-000	MARK, OIL CAUTION	(NOT AVAILABLE)
007	90013-883-000	BOLT, FLANGE (6X12) (CT200)	008



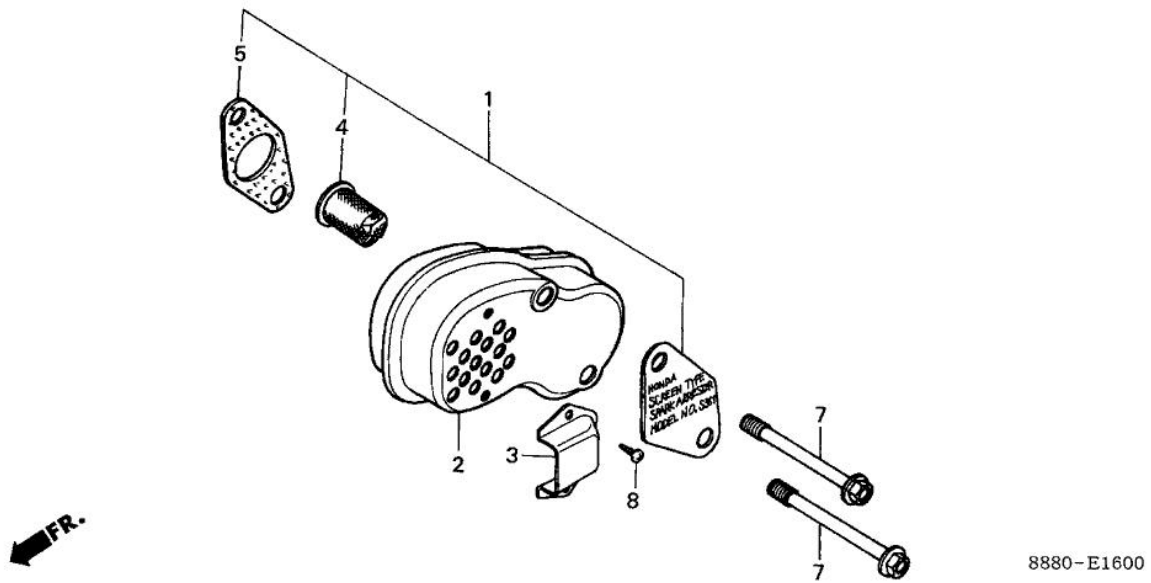
FR.

8880-E1400

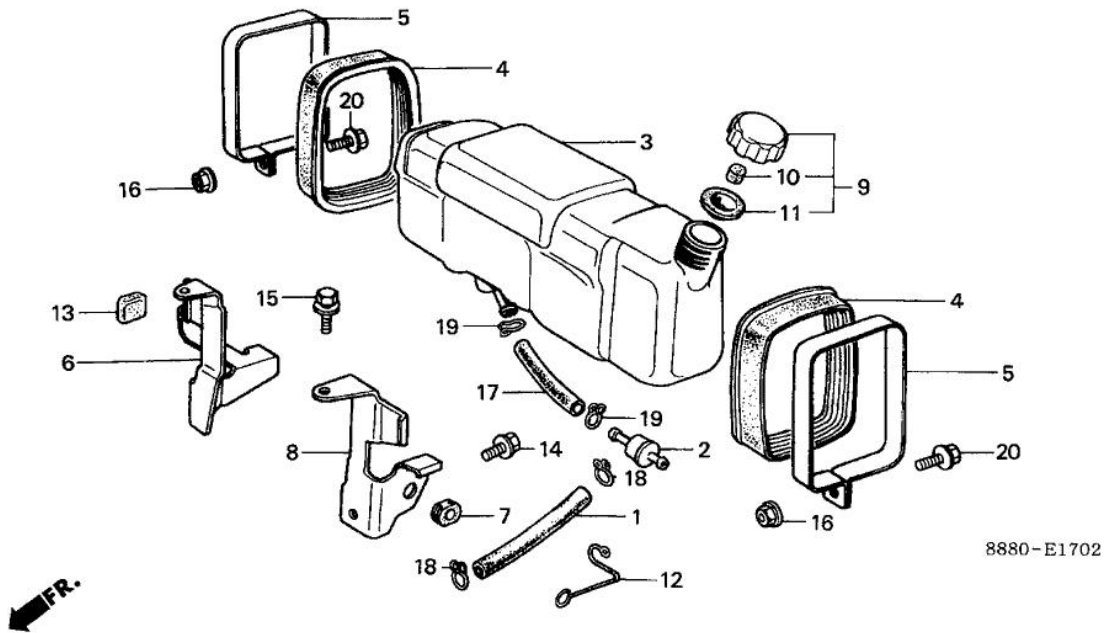
Ref.	Part Number	Part Description	Qty.
001	16010-883-015	GASKET SET (CARBURETOR NO.)	001
002	16013-883-005	FLOAT SET	001
003	16016-148-610	SCREW SET A (CARBURETOR NO.)	(NOT AVAILABLE) 001
003	16016-148-611	SCREW SET A (CARBURETOR NO.)	001
004	16028-883-005	SCREW SET B	001
005	16100-888-025	CARBURETOR ASSY. (BB27A A)	(NOT AVAILABLE) 001
005	16100-888-035	CARBURETOR ASSY. (BB27A B)	(NOT AVAILABLE) 001
005	16100-888-045	CARBURETOR ASSY. (BB27A C)	(NOT AVAILABLE) 001
005	16100-888-303	CARBURETOR ASSY. (BB27A A)	001
006	16155-883-005	VALVE, FLOAT	001
007	16166-888-005	NOZZLE, MAIN	001
008	99101-124-0580	JET, MAIN (#58)	(1)
008	99101-124-0600	JET, MAIN (#60)	(1)
008	99101-124-0620	JET, MAIN (#62)	(1)
008	99101-124-0650	JET, MAIN (#65)	001
009	16015-896-701	CHAMBER SET, FLOAT (CARBURETOR NO.)	(NOT AVAILABLE) 001



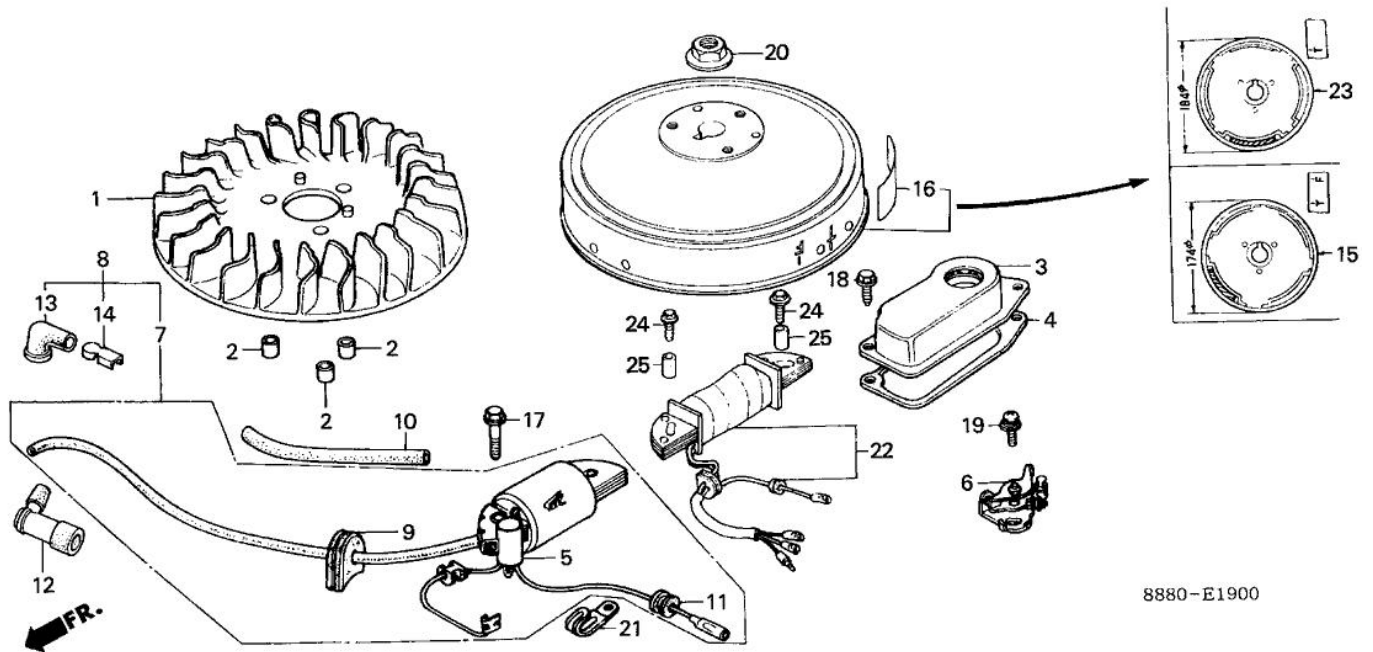
Ref.	Part Number	Part Description	Qty.
001	06170-888-811	AIR CLEANER KIT, SNORKEL JOINT	(1)
002	06171-888-811	JOINT KIT, SNORKEL AIR CLEANER	(1)
003	06172-888-810	AIR CLEANER KIT, SNORKEL	(1)
004	15721-888-810	TUBE, BREATHER	(1)
006	17211-888-692	ELEMENT, AIR CLEANER	(1)
007	17220-888-691	HOUSING, AIR CLEANER	(1)
008	17231-888-691	CAP, AIR CLEANER	(1)
009	17232-888-690	STAY, CARBURETOR COVER	(1)
010	17233-888-691	SPRING, SETTING	(1)
011	17234-888-691	PLATE, AIR CLEANER SETTING	(1)
013	17236-888-691	BRACKET A, AIR CLEANER	(1)
014	17237-888-691	HOSE, AIR CLEANER	(1)
015	17239-888-690	BRACKET B, AIR CLEANER	(1)
016	95018-34250	BAND, AIR CLEANER CONNECTING TUBE (34)	(2)
018	17411-888-810	JOINT, TUBE CONNECTING	(1)
021	90013-883-000	BOLT, FLANGE (6X12) (CT200)	(2)
023	93500-04025-0A	SCREW, PAN (4X25)	(2)
024	93891-06025-08	SCREW-WASHER (6X25)	(2)
025	94050-06000	NUT, FLANGE (6MM)	(2)
027	95014-62300	BAND B3, WIRE	(3)
028	95701-06016-00	BOLT, FLANGE (6X16)	(1)
		(N/A: SEE COMPONENTS)	



Ref.	Part Number	Part Description	Qty.
001	06180-888-505	ARRESTER KIT, SPARK	(1)
002	18310-888-000	MUFFLER	(NOT AVAILABLE) 001
003	18351-888-810	DEFLECTOR, MUFFLER	(NOT AVAILABLE) (1)
004	06180-888-505	ARRESTER KIT, SPARK	(1)
005	18381-883-800	GASKET, MUFFLER	001
007	90011-888-000	BOLT, FLANGE (8X90)	002
008	93901-14110	SCREW, TAPPING (4X8)	(NOT AVAILABLE) (2)

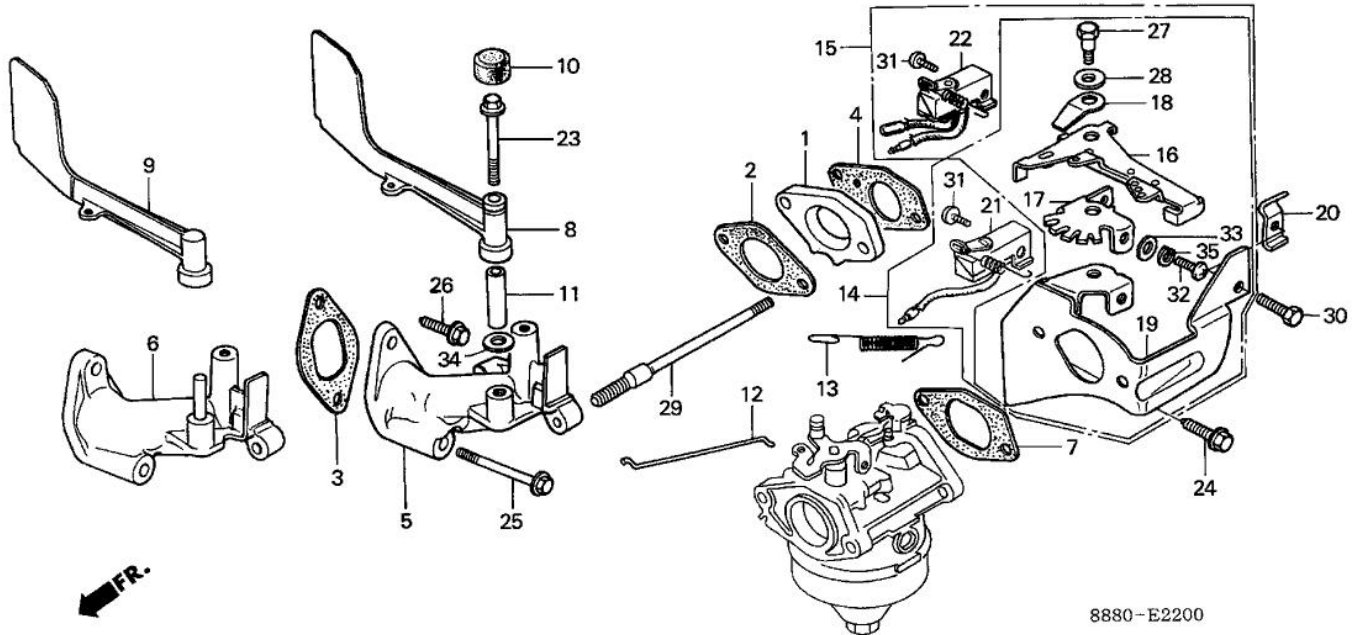


Ref.	Part Number	Part Description	Qty.
001	16222-888-670	TUBE, FUEL (4.5X120) (NOT AVAILABLE)	001
001	95001-45003-60M	BULK HOSE, FUEL (4.5X3000) OEM CUT SIZE: (4.5X120)	001
002	16952-952-003	FILTER, FUEL	001
003	17500-879-670ZA	TANK, FUEL *NH1*	001
004	17515-879-670	RUBBER, TANK SEAT (NOT AVAILABLE)	002
005	17518-879-670	BAND, FUEL TANK (NOT AVAILABLE)	002
006	17521-888-670	STAY A, TANK	001
007	17523-888-670	GROMMET, FUEL TUBE	001
008	17525-888-671	STAY B, TANK	001
009	17620-888-000	CAP ASSY., FUEL TANK	001
010	17622-888-010	SPONGE, FUEL CAP BREATHER	001
011	17624-355-010	GASKET, FUEL CAP	001
012	30564-883-630	CLAMP, IGNITION WIRE	001
013	36058-657-003	RUBBER, CUSHION (NOT AVAILABLE)	001
014	90013-883-000	BOLT, FLANGE (6X12) (CT200)	002
015	93401-06010-08	BOLT-WASHER (6X10)	002
016	94050-06000	NUT, FLANGE (6MM)	002
017	95001-55003-60M	BULK HOSE, FUEL (5.5X3000) OEM CUT SIZE: (5.3X110)	(SOURCE: VINTAG... 001
017	95001-55003-60M	BULK HOSE, FUEL (5.5X3000) OEM CUT SIZE: (5.3X110)	(SOURCE: VINTAG... 001
018	95002-02080	CLIP, TUBE (B8)	001
018	95002-02080	CLIP, TUBE (B8)	002
019	95002-02100	CLIP, TUBE (B10)	002
019	95002-02100	CLIP, TUBE (B10)	003
020	95701-06012-08	BOLT, FLANGE (6X12)	002



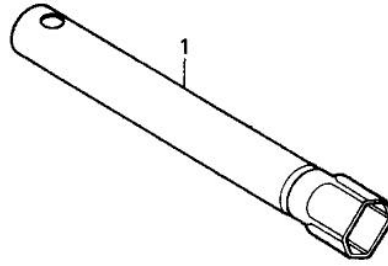
8880-E1900

Ref.	Part Number	Part Description	Qty.
001	19511-887-030	FAN, COOLING	001
002	19512-883-000	COLLAR, FAN	003
003	30211-883-000	COVER, BREAKER	001
004	30215-883-000	GASKET, BREAKER COVER	(NOT AVAILABLE)
006	30280-883-005	POINTS ASSY.	001
007	30560-888-015	COIL ASSY., IGNITION	(NOT AVAILABLE)
008	30560-888-025	COIL ASSY., IGNITION	001
009	30563-883-000	GROMMET, WIRE	001
010	30565-888-000	TUBE, IGNITION RUBBER	001
011	30569-888-000	GROMMET, PRIMARY WIRE	(NOT AVAILABLE)
012	30700-865-013	CAP ASSY., NOISE SUPPRESSOR	001
013	30701-888-003	CAP, IGNITION	001
013	30701-888-004	CAP, IGNITION (TOYO)	001
014	30702-888-003	TERMINAL, PLUG	001
015	31100-887-040	FLYWHEEL (POINT)	001
017	90017-883-000	BOLT, FLANGE (6X32) (CT200)	002
018	90019-883-000	BOLT, FLANGE (5X10)	002
019	90051-883-000	SCREW-WASHER (5X12)	001
020	90201-878-003	NUT, SPECIAL (14MM)	001
021	91405-671-000	CLIP, WIRE	001



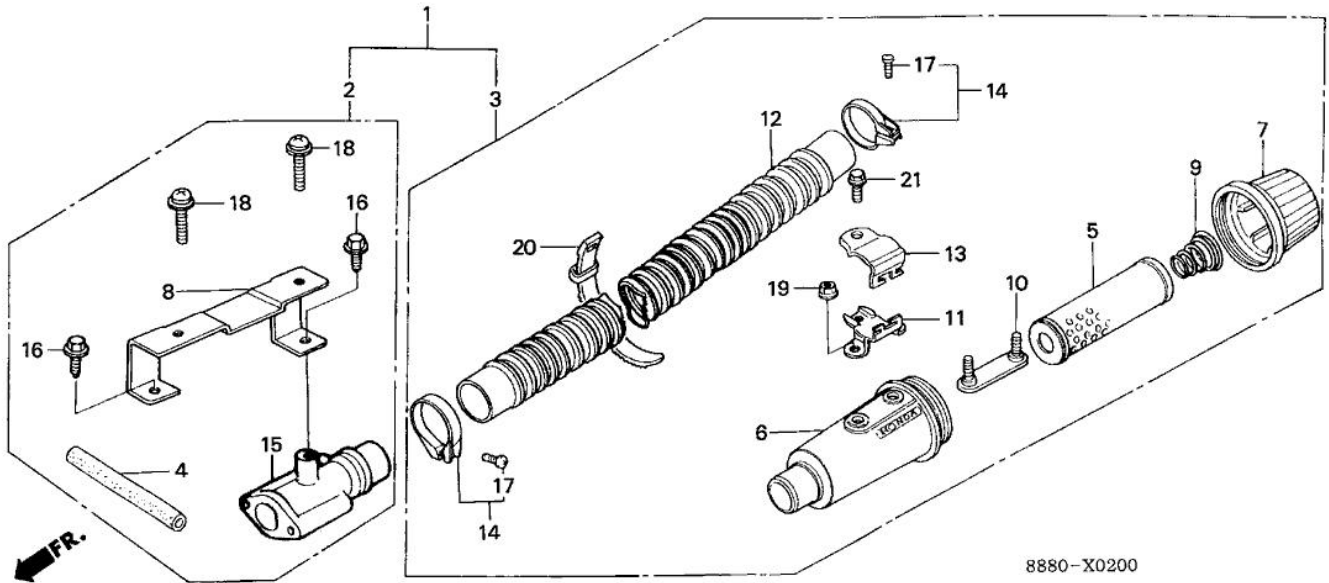
Ref.	Part Number	Part Description	Qty.
001	16211-887-000	INSULATOR, CARBURETOR	001
002	16212-887-306	GASKET, INSULATOR	001
003	16220-888-000	GASKET, MANIFOLD	(NOT AVAILABLE) 001
004	16221-883-306	GASKET, CARBURETOR	001
004	16221-887-800	GASKET, CARBURETOR	001
005	16224-888-010	MANIFOLD, IN.	001
005	16224-888-020	MANIFOLD, IN.	001
007	16269-883-800	GASKET, AIR CLEANER	001
008	16512-888-020	FLUTTER, GOVERNOR	(NOT AVAILABLE) 001
010	16514-888-000	SEAL, FLUTTER	001
011	16515-888-000	COLLAR, FLUTTER	(NOT AVAILABLE) 001
012	16555-888-010	ROD, GOVERNOR	(NOT AVAILABLE) 001
013	16561-888-020	SPRING, GOVERNOR	001
015	16570-888-670	CONTROL ASSY.	001
016	16571-888-010	LEVER, CONTROL	001
017	16572-888-010	PLATE, LEVER SETTING	001
018	16573-879-010	SPRING, LEVER SETTING	(NOT AVAILABLE) 001
019	17235-888-010	STAY, CLEANER CASE	001
020	17251-888-010	HOLDER, WIRE	001
022	36100-888-672	SWITCH ASSY., ENGINE STOP	001
023	90012-888-000	BOLT, FLANGE (6X40) (CT200)	001
024	90013-883-000	BOLT, FLANGE (6X12) (CT200)	001
025	90014-888-000	BOLT, FLANGE (6X50)	001
026	90022-888-010	BOLT, FLANGE (6X20) (CT200)	001
027	90025-888-010	BOLT, CONTROL LEVER	001
028	90026-888-000	WASHER (7MM)	(NOT AVAILABLE) 001
029	90043-888-000	BOLT, STUD (6X141)	(NOT AVAILABLE) 002
030	92101-06012	BOLT, HEX. (6X12)	001
030	92101-06012-0A	BOLT, HEX. (6X12)	001
031	93500-04008-0A	SCREW, PAN (4X8)	001
032	93500-05008-0A	SCREW, PAN (5X8)	001
033	94101-05000	WASHER, PLAIN (5MM)	001

Ref.	Part Number	Part Description	Qty.
034	94101-06800	WASHER, PLAIN (6MM)	001
035	94111-05000	WASHER, SPRING (5MM)	001



8880— E2900

Ref.	Part Number	Part Description	Qty.
001	89216-809-000	WRENCH, SPARK PLUG	001
001	89216-888-000	WRENCH, SPARK PLUG	001



8880-X0200

Ref.	Part Number	Part Description	Qty.
001	06170-888-811	AIR CLEANER KIT, SNORKEL JOINT	(1)
002	06171-888-811	JOINT KIT, SNORKEL AIR CLEANER	(1)
003	06172-888-810	AIR CLEANER KIT, SNORKEL	(1)
004	15721-888-810	TUBE, BREATHER	(1)
005	17211-888-692	ELEMENT, AIR CLEANER	(1)
006	17220-888-691	HOUSING, AIR CLEANER	(1)
007	17231-888-691	CAP, AIR CLEANER	(1)
008	17232-888-690	STAY, CARBURETOR COVER	(1)
009	17233-888-691	SPRING, SETTING	(1)
010	17234-888-691	PLATE, AIR CLEANER SETTING	(1)
011	17236-888-691	BRACKET A, AIR CLEANER	(1)
012	17237-888-691	HOSE, AIR CLEANER	(1)
013	17239-888-690	BRACKET B, AIR CLEANER	(1)
014	95018-34250	BAND, AIR CLEANER CONNECTING TUBE (34)	(2)
015	17411-888-810	JOINT, TUBE CONNECTING	(1)
016	90013-883-000	BOLT, FLANGE (6X12) (CT200)	(2)
017	93500-04025-0A	SCREW, PAN (4X25)	(2)
018	93891-06025-08	SCREW-WASHER (6X25)	(2)
019	94050-06000	NUT, FLANGE (6MM)	(2)
020	95014-62300	BAND B3, WIRE	(3)
021	95701-06016-00	BOLT, FLANGE (6X16)	(1)