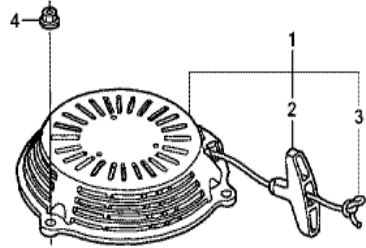
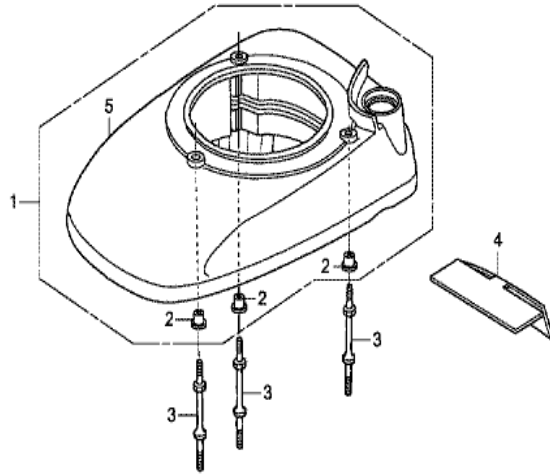


<u>Ref</u>	<u>Partnumber</u>	<u>Description</u>	<u>GSV190LA</u>	<u>Serial Numbers</u>
001	12209-ZM0-003	SEAL, VALVE STEM	1	
002	14320-Z0Y-000	PULLEY COMP., CAMSHAFT	1	
003	14324-Z8B-000	SHAFT, CAM PULLEY	1	
004	14400-Z0J-014	BELT, TIMING (84HU7 G-200)	1	
005	14431-Z0J-000	ARM, IN. VALVE ROCKER	1	
006	14441-Z0J-000	ARM, EX. VALVE ROCKER	1	
007	14461-ZL8-000	SHAFT, ROCKER ARM	2	
008	14711-Z0J-800	VALVE, IN.	1	
008	14711-ZL8-000	VALVE, IN. (TECHNOSTAR)	1	
009	14721-Z8B-000	VALVE, EX. (C8E)	1	
009	14721-ZL8-000	VALVE, EX. (L8E)	1	
010	14751-ZL8-000	SPRING, VALVE	2	
011	14771-Z0J-000	RETAINER, VALVE SPRING	2	
<u>Ref</u>	<u>Partnumber</u>	<u>Description</u>	<u>GSV190LA</u>	<u>Serial Numbers</u>
012	90012-333-000	SCREW, TAPPET ADJUSTING	2	
013	90206-001-000	NUT, TAPPET ADJUSTING	2	
014	91301-ZM0-V31	O-RING, 6.8X1.9 (ARAI)	1	



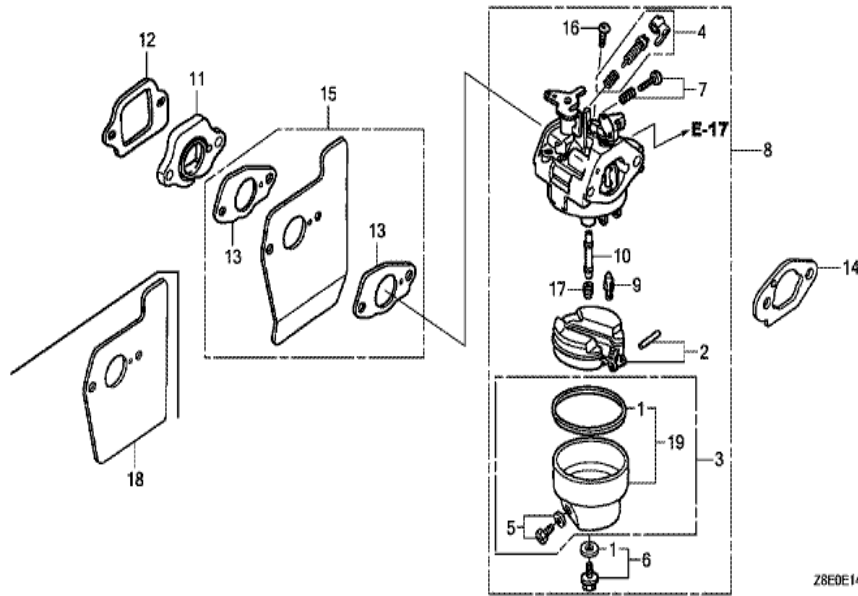
ZBEDE1100

Ref	Partnumber	Description	GSV190LA	Serial Numbers
001	28400-Z0Y-V20ZA	STARTER ASSY., RECOIL *NH1 *	1	4503430
001	28400-Z8B-003ZE	STARTER ASSY., RECOIL (LONG ROPE) *NH1 *	1	4503431 4506437
001	28400-Z8B-901ZA	STARTER ASSY., RECOIL (LONG ROPE) *NH1 *	1	4506438
002	28461-ZL8-003	GRIP, STARTER	1	
003	28462-Z0L-V20	ROPE, RECOIL STARTER (BLACK) (LONG TYPE)	1	4503430
003	28462-ZL8-V71	ROPE, RECOIL STARTER (LONG TYPE)	1	4503431
004	90201-ZM0-000	NUT, FLANGE, 6MM	3	

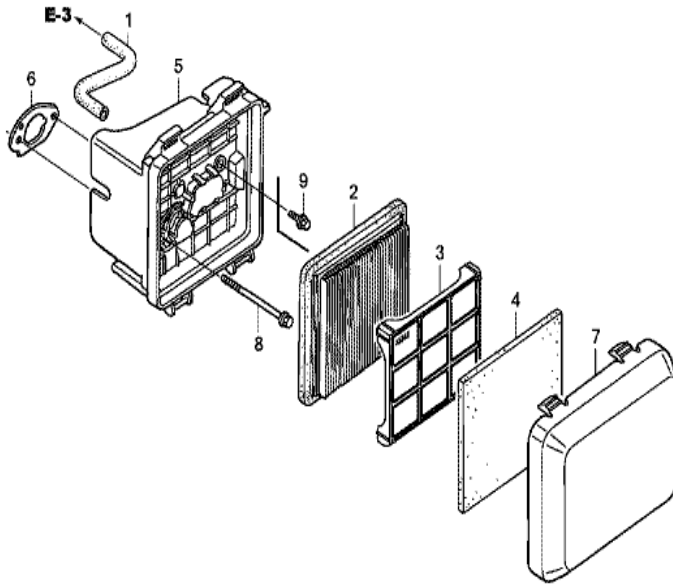


Z8EDE1200B

Ref	Partnumber	Description	GSV190LA	Serial Numbers
001	19610-Z0L-861ZA	COVER COMP., FAN *NH1*	1	
002	19619-ZL8-300	COLLAR, FAN COVER	3	
003	90043-Z8B-000	BOLT, STUD (FAN COVER)	3	4504780
003	90043-Z8D-000	BOLT, STUD (FAN COVER)	3	4504781



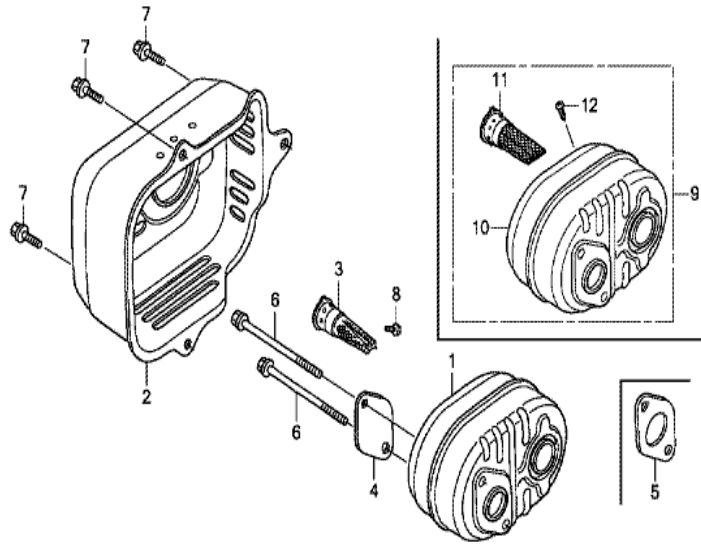
<u>Ref</u>	<u>Partnumber</u>	<u>Description</u>	<u>GSV190LA</u>	<u>Serial Numbers</u>
001	16010-883-015	PACKING SET	1	
002	16013-ZL1-003	FLOAT SET	1	
006	16028-ZE0-005	SCREW SET	1	
008	16100-Z2D-841	CARBURETOR ASSY. (BB65R A)	1	
009	16155-ZM0-013	VALVE, FLOAT	1	
010	16166-Z0Y-003	NOZZLE, MAIN	1	
011	16211-ZL8-000	INSULATOR, CARBURETOR	1	
012	16212-ZL8-000	PACKING, INSULATOR	1	
014	16228-ZL8-000	PACKING, CARBURETOR	1	
016	93500-050061H	SCREW, PAN, 5X6	1	
017	99101-1240620	JET, MAIN, #62	(1)	
017	99101-1240650	JET, MAIN, #65	(1)	
017	99101-1240680	JET, MAIN, #68	1	
<u>Ref</u>	<u>Partnumber</u>	<u>Description</u>	<u>GSV190LA</u>	<u>Serial Numbers</u>
018	19651-Z0L-000	GUIDE, AIR	1	
019	16015-Z0L-881	CHAMBER SET, FLOAT	1	



FR.

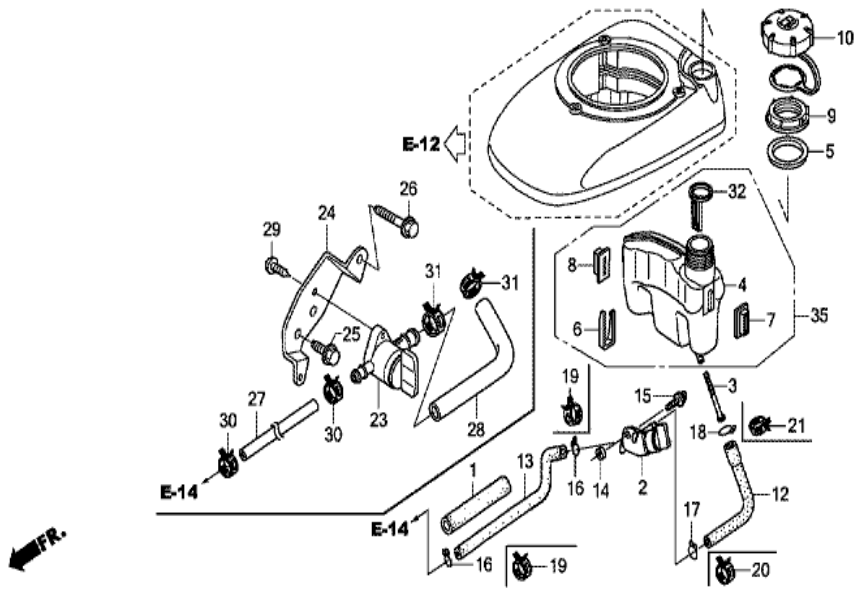
Z8E0E1500A

Ref	Partnumber	Description	GSV190LA	Serial Numbers
001	15721-ZM0-000	TUBE, BREATHER	1	
002	17211-ZL8-023	ELEMENT, AIR CLEANER (TOYO ROKI)	1	
003	17212-Z2A-010	GRID, AIR CLEANER	1	
004	17218-Z2A-000	FILTER, OUTER (WET)	1	
005	17220-ZM0-030	CASE ASSY., AIR CLEANER	1	
006	17228-Z8B-000	PACKING, AIR CLEANER	1	
007	17231-Z2B-020	COVER, AIR CLEANER (DUAL)	1	
008	90003-ZM0-010	BOLT, FLANGE, 6X85 (CT200)	2	



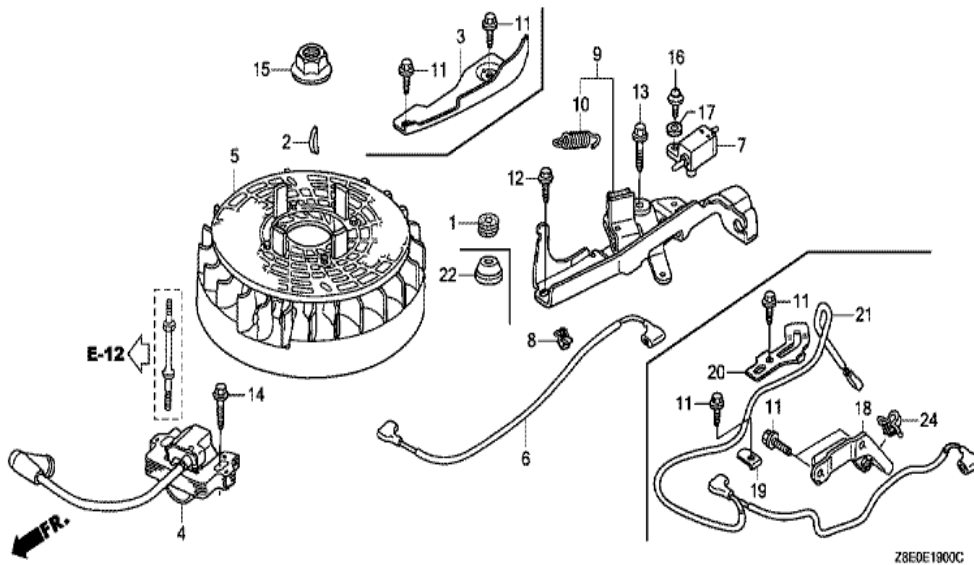
Z8E0E1600A

Ref	Partnumber	Description	GSV190LA	Serial Numbers
001	18310-Z0Y-000	MUFFLER COMP.	1	
002	18321-Z0L-J01	PROTECTOR, MUFFLER	1	
003	18350-ZL8-000	ARRESTER COMP., SPARK	(1)	
004	18356-ZL8-000	PLATE, ARRESTER NUMBER	(1)	
005	18381-ZL8-305	GASKET, MUFFLER	(1)	
006	90004-ZL8-000	BOLT, FLANGE, 6X79 (CT200)	2	
007	90013-883-000	BOLT, FLANGE, 6X12 (CT200)	3	
008	90055-ZE1-000	SCREW, TAPPING, 4X6	(1)	



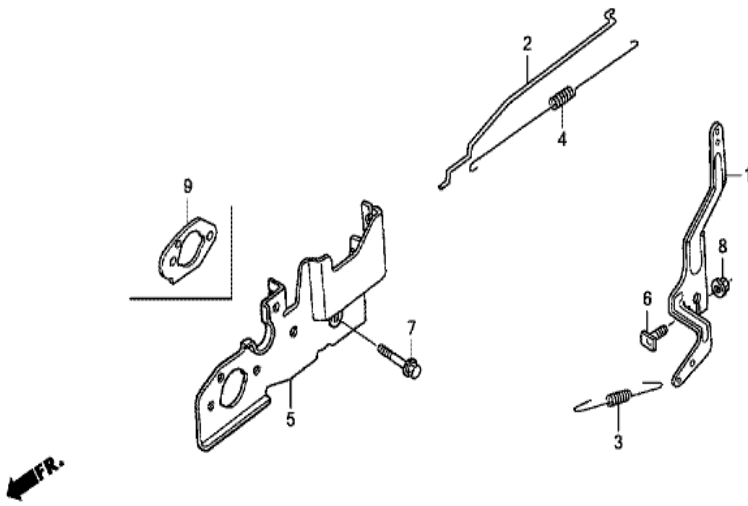
Z8EDE1700C

Ref	Partnumber	Description	GSV190LA	Serial Numbers
003	16952-Z8B-000	STRAINER, FUEL	1	
004	17511-Z8B-800	TANK, FUEL	1	4500001
005	17514-Z0L-000	SEAL, FUEL FILLER NECK	1	
006	17516-Z0L-000	CLIP, TANK MOUNTING	1	
007	17532-Z8B-800	RUBBER A, TANK MOUNTING	1	4500001
008	17533-Z8B-800	RUBBER B, TANK MOUNTING	1	4500001
009	17534-Z0L-000	NUT, TANK MOUNTING	1	
010	17620-Z0J-800	CAP ASSY., FUEL TANK	1	
023	16950-Z0Y-003	COCK ASSY., FUEL	1	
024	16961-Z0L-900	STAY, FUEL COCK	1	
025	90013-883-000	BOLT, FLANGE, 6X12 (CT200)	1	
026	90015-883-000	BOLT, FLANGE, 6X28 (CT200)	1	
027	91424-Z8B-821	TUBE, FUEL, 4.5X110 (FKM)	1	
Ref	Partnumber	Description	GSV190LA	Serial Numbers
028	91427-Z8B-821	TUBE, FUEL, 7.3X160 (FKM)	1	
029	93913-25220	SCREW, TAPPING, 5X12 (PO)	1	
030	95002-4080008	CLAMP, TUBE (D8)	2	
031	95002-4120008	CLAMP, TUBE (D12)	2	
032	17636-Z0L-010	GAUGE, FUEL LEVEL	1	
035	06175-Z8B-800	TANK KIT, FUEL	1	4500000



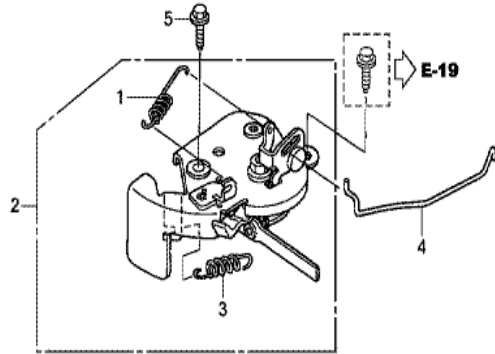
Z8ED1900C

<u>Ref</u>	<u>Partnumber</u>	<u>Description</u>	<u>GSV190LA</u>	<u>Serial Numbers</u>
002	13331-357-000	KEY, SPECIAL WOODRUFF, 25X18	1	4506437
002	13331-Z8B-900	KEY, SPECIAL WOODRUFF, 25X18	1	4506438
004	30500-ZL8-014	COIL ASSY., IGNITION (TEC) (USE FOR F/W	1	
005	31105-Z0Y-800	FLYWHEEL ASSY. (TEC) (USE FOR IGN. COIL	1	
007	35120-ZM0-003	SWITCH ASSY., ENGINE STOP (N.C)	1	
008	51125-Z0L-003	HOLDER, WIRE (FASTEX)	1	
008	90681-959-003	CLIP A, CABLE (NIFCO) (3.8MM BLACK)	1	
009	75110-Z0Y-000	BRAKE SUB ASSY.	1	
010	75113-ZM0-000	SPRING, BRAKE LEVER	1	
011	90013-883-000	BOLT, FLANGE, 6X12 (CT200)	4	
012	90014-952-000	BOLT, FLANGE, 6X14 (CT200)	1	
013	90018-ZE1-000	BOLT, FLANGE, 6X23 (CT200)	1	
014	90018-ZE1-000	BOLT, FLANGE, 6X23 (CT200)	1	
<u>Ref</u>	<u>Partnumber</u>	<u>Description</u>	<u>GSV190LA</u>	<u>Serial Numbers</u>
015	90213-S3Y-000	NUT, FLANGE, 14MM	1	
016	93892-0401200	SCREW-WASHER, 4X12	1	
017	94103-04000	WASHER, PLAIN, 4MM	1	
018	30547-Z0L-S00	CLAMPER, STOP SWITCH CORD	1	
019	30548-ZL8-000	CLAMPER, STOP SWITCH CORD	1	
020	30549-ZL8-000	CLAMPER, CORD	1	
021	32195-Z0L-S00	CORD, STOP SWITCH	1	
022	91601-Z0L-300	GROMMET, BRAKE PLATE	1	
024	51125-Z0L-003	HOLDER, WIRE (FASTEX)	1	



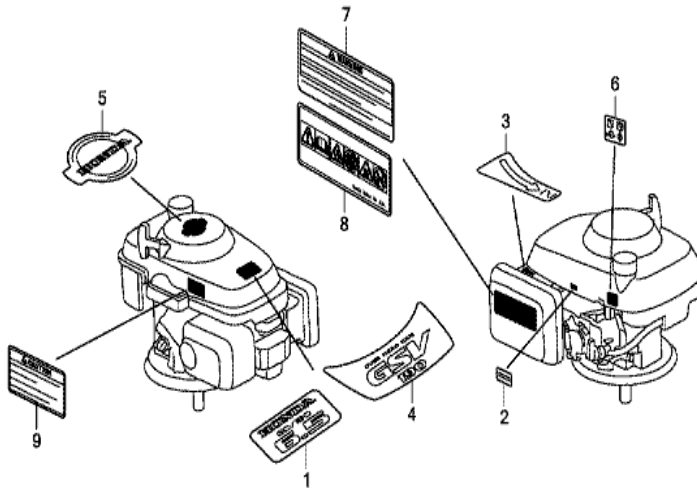
Z8E0E2201A

Ref	Partnumber	Description	GSV190LA	Serial Numbers
001	16551-ZM0-010	ARM, GOVERNOR	1	
002	16555-Z0L-801	ROD, GOVERNOR	1	
003	16561-Z0L-000	SPRING, GOVERNOR	1	
004	16562-ZM0-000	SPRING, THROTTLE RETURN	1	
006	90015-ZE5-010	BOLT, GOVERNOR ARM	1	
008	94050-06000	NUT, FLANGE, 6MM	1	
009	16221-Z0L-900	SPACER, CARBURETOR	1	



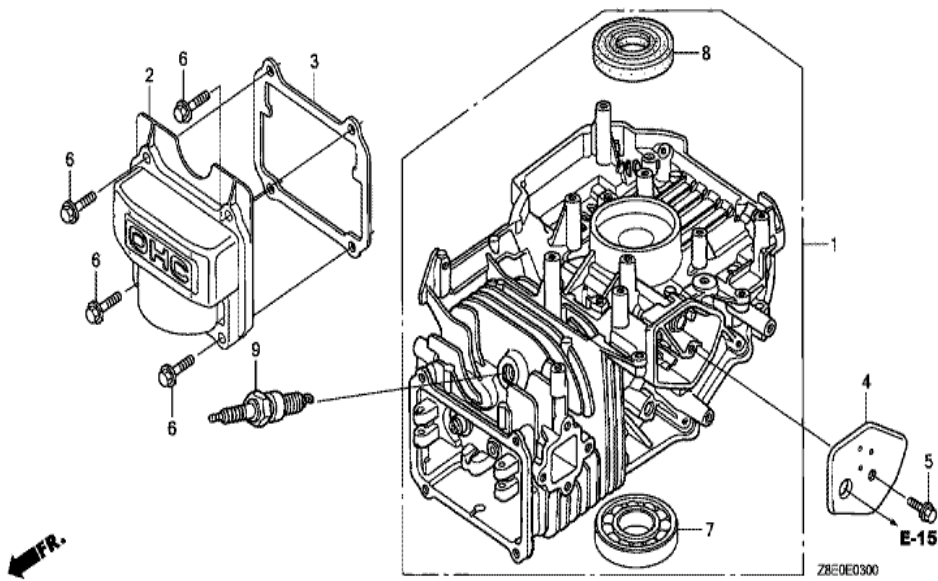
Z8E0E2210

Ref	Partnumber	Description	GSV190LA	Serial Numbers
001	16592-Z2D-800	SPRING, RETURN	1	
002	16610-Z2D-802	LEVER ASSY., CHOKE	1	
003	16614-Z2D-800	SPRING, CHOKE LEVER	1	
004	16632-Z0L-801	ROD, STOP	1	
005	90022-888-010	BOLT, FLANGE, 6X20 (CT200)	1	

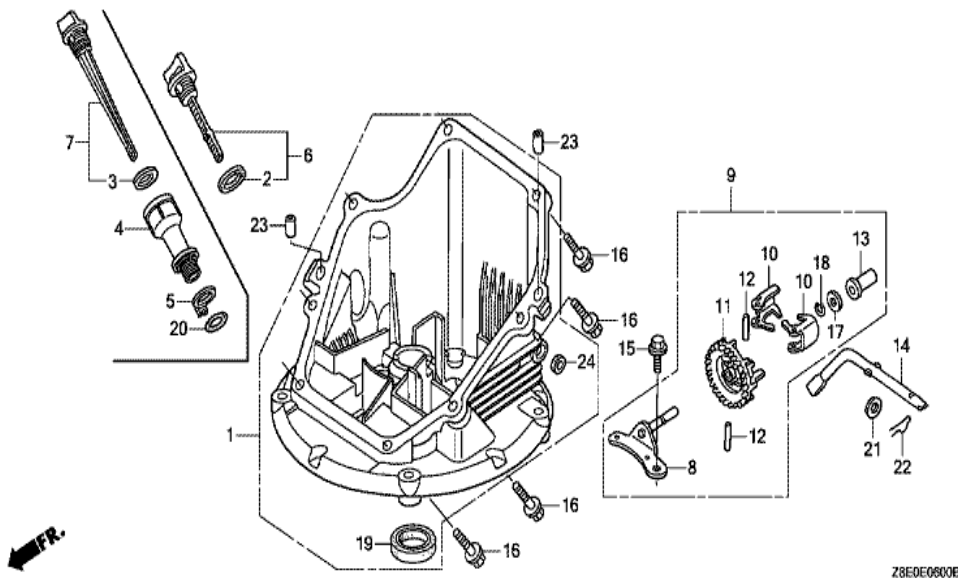


Z8E0E2800C

Ref	Partnumber	Description	GSV190LA	Serial Numbers
002	87114-ZH7-821	LABEL, WARNING (NOT CERTIFIED FOR SALE)	1	
003	87528-ZOL-V20	MARK, CHOKE INDICATION	1	
005	87169-Z8E-000	MARK, RECOIL COVER	1	
006	87524-Z8B-000	MARK, FUEL COCK CAUTION	1	
007	87516-Z0J-000	MARK, OPERATOR CAUTION (ENGLISH)	1	

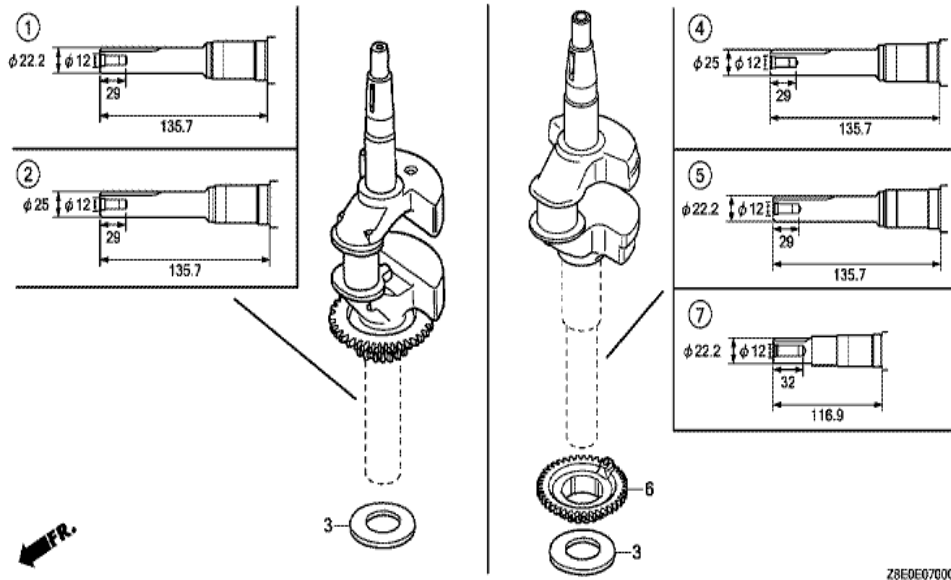


Ref	Partnumber	Description	GSV190LA	Serial Numbers
001	12000-Z2C-405	BARREL ASSY., CYLINDER	1	
002	12311-Z2A-000	COVER, CYLINDER HEAD	1	
003	12312-Z2A-000	PACKING, HEAD COVER	1	
004	12355-ZL8-000	COVER COMP., BREATHER	1	
005	90014-952-000	BOLT, FLANGE, 6X14 (CT200)	1	
006	90121-952-000	BOLT, FLANGE, 6X25 (CT200)	4	
007	91001-894-004	BEARING, RADIAL BALL	1	
008	91201-Z2A-003	OIL SEAL, 25.4X74X6	1	
009	98079-55846	PLUG, SPARK (BPR5ES) (NGK)	1	



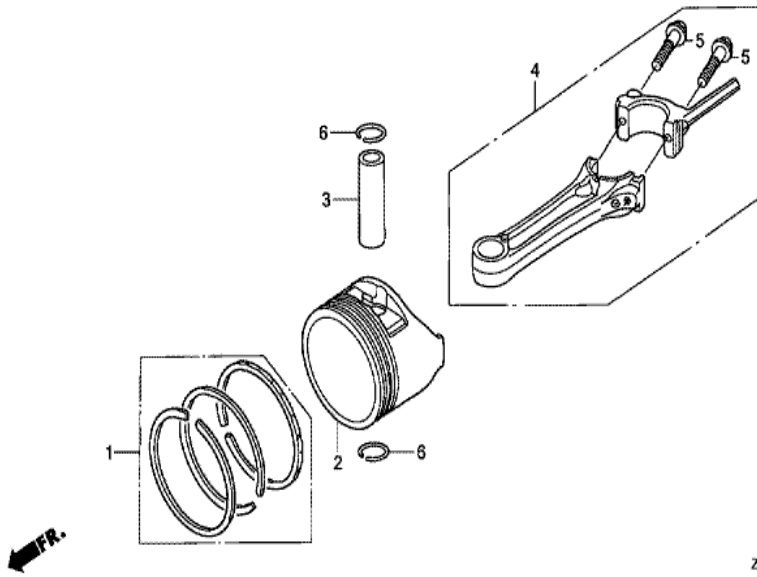
Z8E0E0600B

<u>Ref</u>	<u>Partnumber</u>	<u>Description</u>	<u>GSV190LA</u>	<u>Serial Numbers</u>
001	11300-ZOM-405	PAN ASSY., OIL	1	
003	15625-ZE6-000	PACKING, OIL FILLER CAP	1	
004	15631-ZM0-000	EXTENSION, OIL FILLER	1	
005	15639-ZM0-000	WASHER, EXTENSION LOCK	1	
007	15650-ZM0-801	GAUGE ASSY., OIL LEVEL	1	
008	16508-ZM0-010	SHAFT COMP., GOVERNOR HOLDER	1	
009	16510-ZM0-010	GOVERNOR ASSY.	1	
010	16511-ZL8-000	WEIGHT, GOVERNOR	2	
011	16512-ZM0-000	HOLDER, GOVERNOR WEIGHT	1	
012	16513-ZE1-000	PIN, GOVERNOR WEIGHT	2	
013	16531-ZE1-000	SLIDER, GOVERNOR	1	
014	16541-Z8B-000	SHAFT, GOVERNOR ARM	1	
015	90014-952-000	BOLT, FLANGE, 6X14 (CT200)	1	
<u>Ref</u>	<u>Partnumber</u>	<u>Description</u>	<u>GSV190LA</u>	<u>Serial Numbers</u>
016	90121-952-000	BOLT, FLANGE, 6X25 (CT200)	8	
017	90451-ZE1-000	WASHER, THRUST, 6MM	1	
018	90602-ZE1-000	CLIP, GOVERNOR HOLDER	1	
019	91202-ZL8-003	OIL SEAL, 28X41.25X6	1	
020	91303-KF0-003	O-RING, 14.8X2.4 (ARAI)	1	
021	94101-06800	WASHER, PLAIN, 6MM	1	
022	94251-08000	PIN, LOCK, 8MM	1	
023	90701-Z8B-000	DOWEL PIN, 8X20	2	
024	91231-891-003	OIL SEAL, 6X11X4 (ARAI)	1	



Z8E0E0700C

Ref	Partnumber	Description	GSV190LA	Serial Numbers
002	13310-Z0Y-610	CRANKSHAFT COMP.	1	1097969
002	13310-Z8D-610	CRANKSHAFT COMP. (USA)	1	1097970 4506437
003	90402-ZL8-000	WASHER, THRUST	1	
004	13311-Z8D-900	CRANKSHAFT	1	4506438
006	13621-Z8B-900	PULLEY, TIMING BELT DRIVE	1	4506438



ZBEDE0800

Ref	Partnumber	Description	GSV190LA	Serial Numbers
001	13010-Z2C-014	RING SET, PISTON (STD.) (TEIKOKU)	1	
002	13101-Z0Y-010	PISTON	1	4500000
002	13101-Z8D-820	PISTON	1	4500001
003	13111-Z0Y-000	PIN, PISTON	1	
004	13200-Z0Y-010	ROD ASSY., CONNECTING	1	
005	90006-Z8B-000	BOLT, CONNECTING ROD	2	
006	90551-ZE0-000	CLIP, PISTON PIN, 13MM	2	