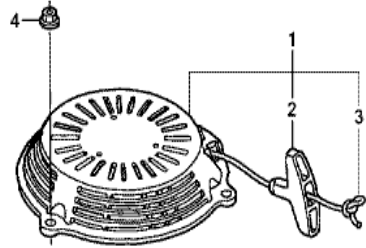


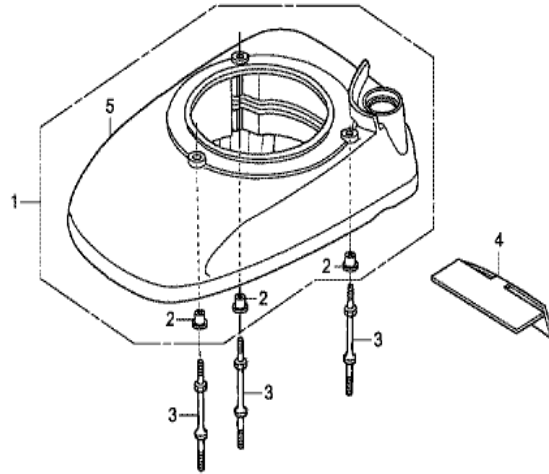
Z8EDGE1000

<u>Ref</u>	<u>Partnumber</u>	<u>Description</u>	<u>GSV190LA</u>	<u>Serial Numbers</u>
001	12209-Z8B-003	SEAL, VALVE STEM	1	
002	14320-Z8D-000	PULLEY COMP., CAMSHAFT	1	
003	14324-Z8B-000	SHAFT, CAM PULLEY	1	
004	14400-Z8B-003	BELT, TIMING (84HU6 G-200)	1	
005	14431-Z0J-000	ARM, IN. VALVE ROCKER	1	
006	14441-Z0J-000	ARM, EX. VALVE ROCKER	1	
007	14461-ZL8-000	SHAFT, ROCKER ARM	2	
008	14711-Z0J-800	VALVE, IN.	1	
008	14711-ZL8-000	VALVE, IN. (TECHNOSTAR)	1	
009	14721-Z8B-000	VALVE, EX. (C8E)	1	
009	14721-ZL8-000	VALVE, EX. (L8E)	1	
010	14751-ZL8-000	SPRING, VALVE	2	
011	14771-Z0J-000	RETAINER, VALVE SPRING	2	
<u>Ref</u>	<u>Partnumber</u>	<u>Description</u>	<u>GSV190LA</u>	<u>Serial Numbers</u>
012	90012-333-000	SCREW, TAPPET ADJUSTING	2	
013	90206-001-000	NUT, TAPPET ADJUSTING	2	
014	91301-ZM0-V31	O-RING, 6.8X1.9 (ARAI)	1	



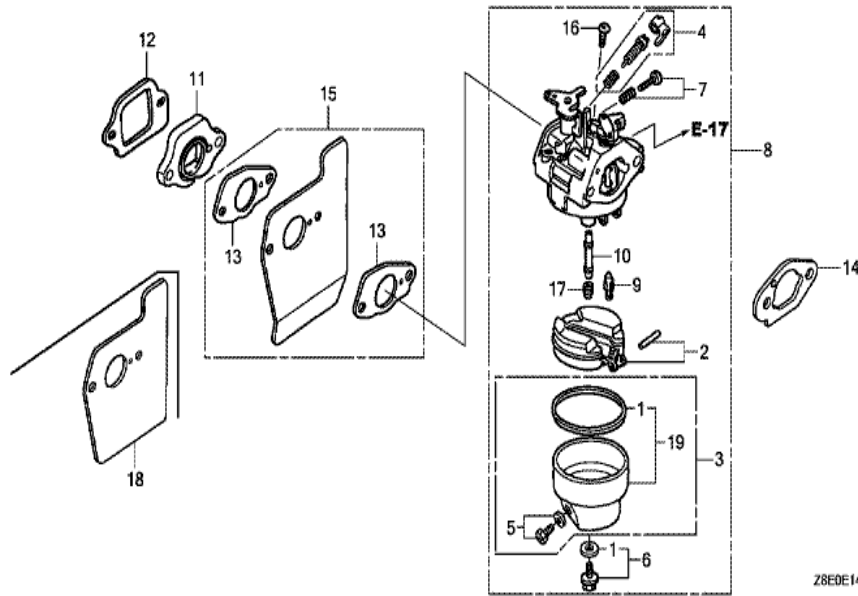
ZBEDE1100

Ref	Partnumber	Description	GSV190LA	Serial Numbers
001	28400-Z8B-901ZA	STARTER ASSY., RECOIL (LONG ROPE) *NH1*	1	
002	28461-ZL8-003	GRIP, STARTER	1	
003	28462-ZL8-V71	ROPE, RECOIL STARTER (LONG TYPE)	1	
004	90201-ZM0-000	NUT, FLANGE, 6MM	3	



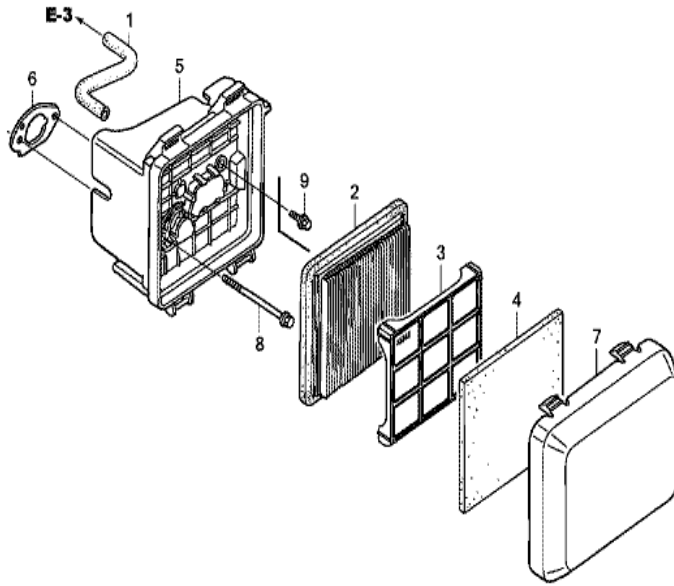
Z8EDE1200B

Ref	Partnumber	Description	GSV190LA	Serial Numbers
003	90043-Z8D-010	BOLT, STUD (FAN COVER)	3	
005	19611-Z0L-850ZA	COVER, FAN *NH1*	1	



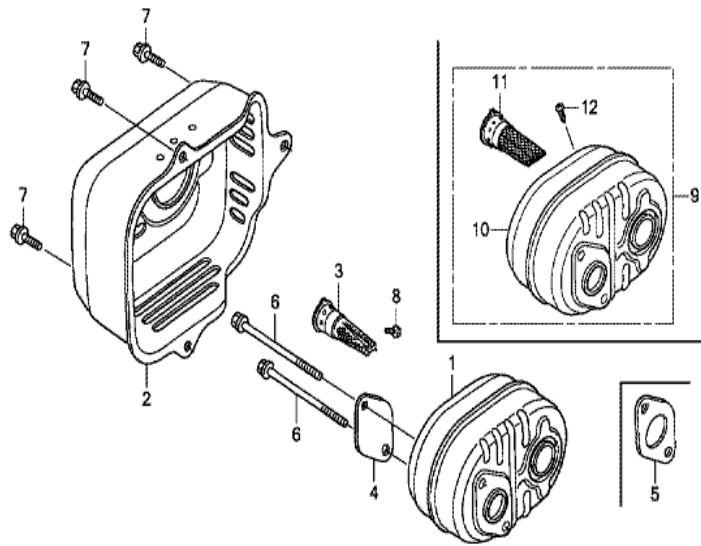
Z8EDE1400B

<u>Ref</u>	<u>Partnumber</u>	<u>Description</u>	<u>GSV190LA</u>	<u>Serial Numbers</u>
001	16010-883-015	PACKING SET	1	
002	16013-ZL1-003	FLOAT SET	1	
004	16016-ZG0-W00	SCREW SET	1	
006	16028-ZE0-005	SCREW SET	1	
007	16029-ZG0-901	SCREW SET (THROTTLE STOP)	1	
008	16100-Z2D-813	CARBURETOR ASSY. (BB65G C)	1	
009	16155-ZM0-013	VALVE, FLOAT	1	
010	16166-Z0Y-003	NOZZLE, MAIN	1	
011	16211-Z8B-000	INSULATOR, CARBURETOR	1	
012	16212-ZL8-000	PACKING, INSULATOR	1	
014	16228-ZL8-000	PACKING, CARBURETOR	1	
016	93500-050061H	SCREW, PAN, 5X6	1	
017	99101-1240620	JET, MAIN, #62	(1)	
<u>Ref</u>	<u>Partnumber</u>	<u>Description</u>	<u>GSV190LA</u>	<u>Serial Numbers</u>
017	99101-1240650	JET, MAIN, #65	(1)	
017	99101-1240680	JET, MAIN, #68	1	
018	19651-Z0L-000	GUIDE, AIR	1	
019	16015-Z0L-881	CHAMBER SET, FLOAT	1	



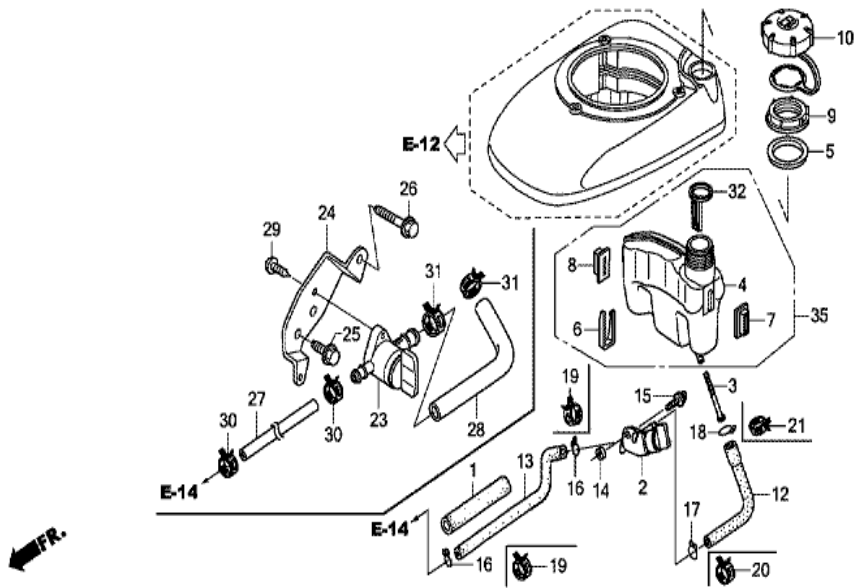
Z8E0E1500A

Ref	Partnumber	Description	GSV190LA	Serial Numbers
001	15721-ZM0-000	TUBE, BREATHER	1	
002	17211-ZL8-023	ELEMENT, AIR CLEANER (TOYO ROKI)	1	
003	17212-Z2A-010	GRID, AIR CLEANER	1	
004	17218-Z2A-000	FILTER, OUTER (WET)	1	
005	17220-Z8B-010	CASE ASSY., AIR CLEANER	1	
006	17228-Z8B-000	PACKING, AIR CLEANER	1	
007	17231-Z2B-020	COVER, AIR CLEANER (DUAL)	1	
008	90003-Z8B-900	BOLT, SPECIAL, 6MM	2	



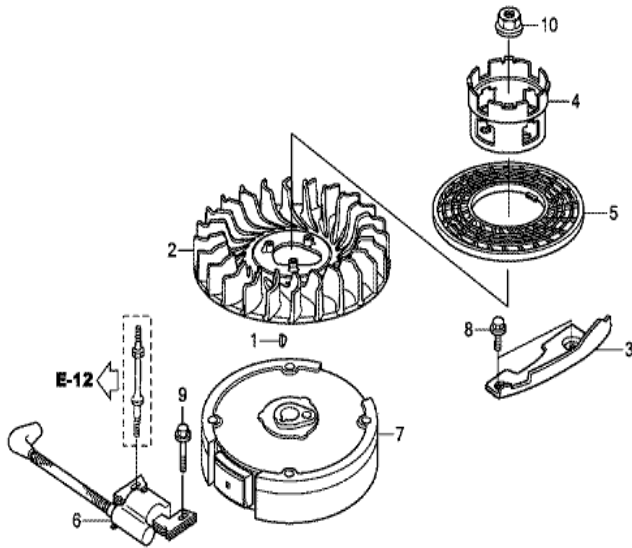
Z8E0E1600A

Ref	Partnumber	Description	GSV190LA	Serial Numbers
001	18310-Z0Y-010	MUFFLER COMP.	1	
002	18321-Z0L-800	PROTECTOR, MUFFLER	1	
005	18381-ZL8-305	GASKET, MUFFLER	(1)	
006	90004-ZL8-000	BOLT, FLANGE, 6X79 (CT200)	2	
007	90013-883-000	BOLT, FLANGE, 6X12 (CT200)	3	
009	18300-Z8A-000	MUFFLER ASSY. (ARRESTER)	(1)	
010	18310-Z8A-000	MUFFLER COMP.	(1)	
011	18350-Z0Y-000	ARRESTER COMP., SPARK	(1)	
012	90055-ZE1-000	SCREW, TAPPING, 4X6	(1)	



Z8EDE1700C

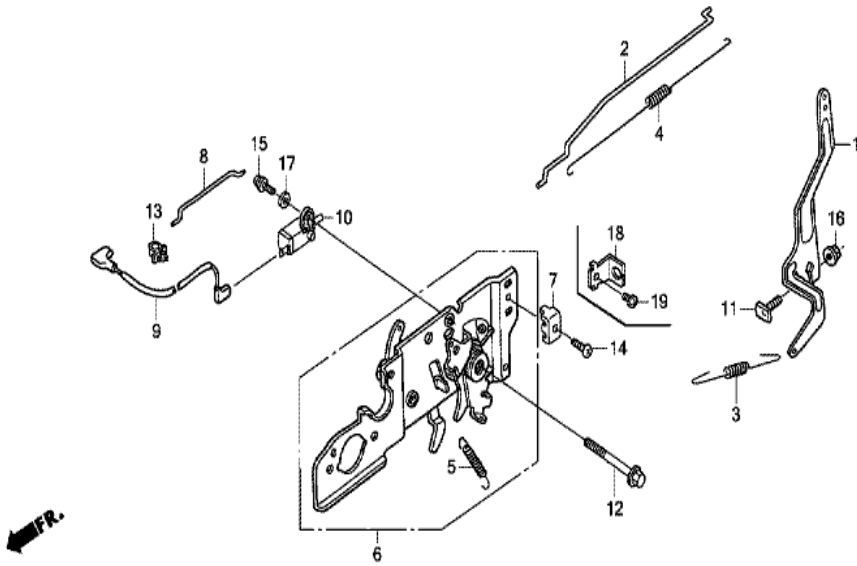
<u>Ref</u>	<u>Partnumber</u>	<u>Description</u>	<u>GSV190LA</u>	<u>Serial Numbers</u>
001	16854-ZH8-000	RUBBER, SUPPORTER (107MM)	1	
002	16950-ZM0-003	COCK ASSY., FUEL	1	
003	16952-Z8B-000	STRAINER, FUEL	1	
004	17511-Z8B-800	TANK, FUEL	1	
005	17514-Z0L-000	SEAL, FUEL FILLER NECK	1	
006	17516-Z0L-000	CLIP, TANK MOUNTING	1	
007	17532-Z8B-800	RUBBER A, TANK MOUNTING	1	
008	17533-Z8B-800	RUBBER B, TANK MOUNTING	1	
009	17534-Z0L-000	NUT, TANK MOUNTING	1	
010	17620-Z0J-800	CAP ASSY., FUEL TANK	1	
012	17701-Z8B-811	TUBE, FUEL TANK (FKM)	1	
013	17702-Z8B-801	TUBE, FUEL (FKM)	1	
014	91501-Z0L-800	COLLAR, FUEL COCK	1	
<u>Ref</u>	<u>Partnumber</u>	<u>Description</u>	<u>GSV190LA</u>	<u>Serial Numbers</u>
015	93891-0501008	SCREW-WASHER, 5X10	1	
019	95002-4080008	CLAMP, TUBE (D8)	2	
020	95002-4100008	CLAMP, TUBE (D10)	1	
021	95002-4120008	CLAMP, TUBE (D12)	1	
032	17636-Z0L-010	GAUGE, FUEL LEVEL	1	
035	06175-Z8B-800	TANK KIT, FUEL	1	



Z8E0E1901

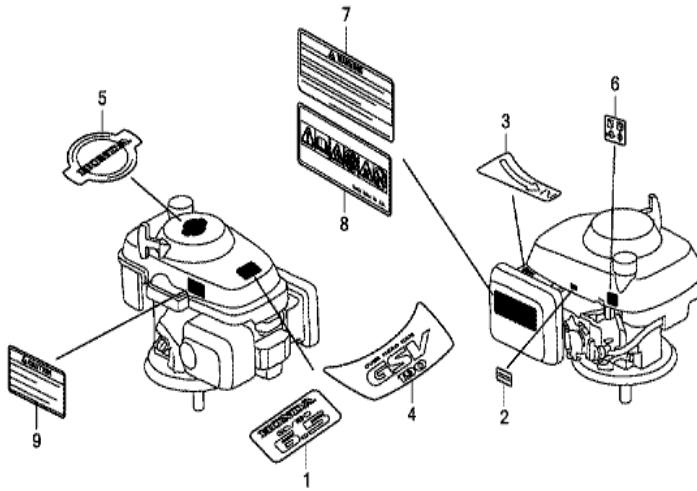
Ref	Partnumber	Description	GSV190LA	Serial Numbers
001	13331-Z8B-900	KEY, SPECIAL WOODRUFF, 25X18	1	
002	19511-ZOJ-900	FAN, COOLING	1	
003	19612-ZOL-000	PLATE, SIDE	1	
004	28451-ZOJ-900	PULLEY, STARTER	1	
005	28452-ZOJ-900	GRID, SCREEN	1	
006	30500-Z8B-912	COIL ASSY., IGNITION (PHELON)	1	
007	31110-ZOJ-014	FLYWHEEL COMP.	1	
008	90013-883-000	BOLT, FLANGE, 6X12 (CT200)	2	
009	90018-ZE1-000	BOLT, FLANGE, 6X23 (CT200)	1	
010	90201-ZOT-800	NUT, SPECIAL, 14MM	1	





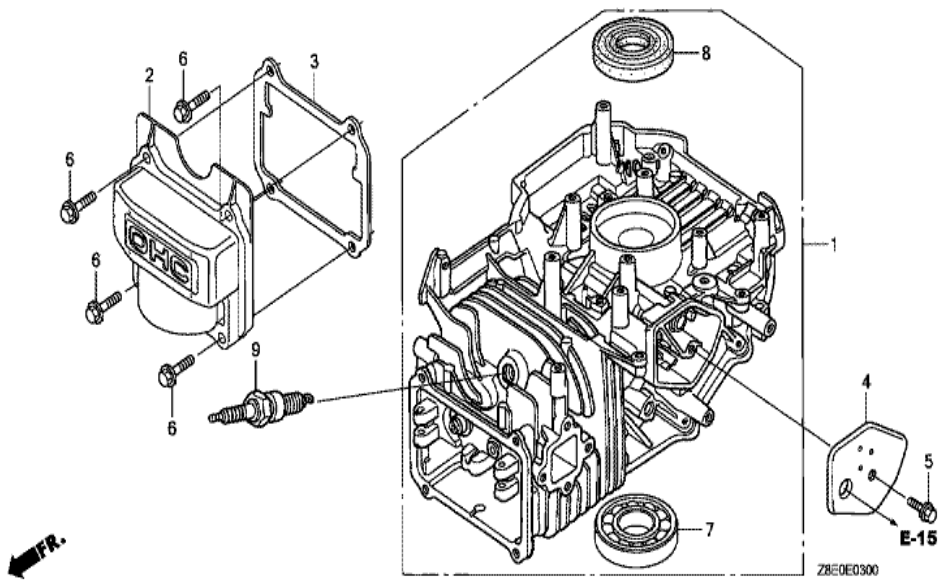
Z8E0E22006

<u>Ref</u>	<u>Partnumber</u>	<u>Description</u>	<u>GSV190LA</u>	<u>Serial Numbers</u>
001	16551-ZM0-010	ARM, GOVERNOR	1	
002	16555-ZOL-801	ROD, GOVERNOR	1	
003	16561-ZOL-000	SPRING, GOVERNOR	1	
004	16562-ZM0-000	SPRING, THROTTLE RETURN	1	
005	16576-ZE7-300	SPRING, LEVER	1	
006	16580-ZOY-801	BASE COMP., CONTROL	1	
008	16674-ZM0-000	ROD, CHOKE	1	
009	32195-ZOL-M90	CORD, STOP SWITCH	1	
010	35120-Z1L-J21	SWITCH ASSY., ENGINE STOP (N.O)	1	
011	90015-ZE5-010	BOLT, GOVERNOR ARM	1	
012	90014-888-000	BOLT, FLANGE, 6X50	1	
013	90681-959-003	CLIP A, CABLE (NIFCO) (3.8MM BLACK)	1	
015	93892-0401200	SCREW-WASHER, 4X12	1	
<u>Ref</u>	<u>Partnumber</u>	<u>Description</u>	<u>GSV190LA</u>	<u>Serial Numbers</u>
016	94050-06000	NUT, FLANGE, 6MM	1	
017	94103-04000	WASHER, PLAIN, 4MM	1	
018	16617-ZOL-800	HOLDER, CABLE	1	
019	93500-050080A	SCREW, PAN, 5X8	1	

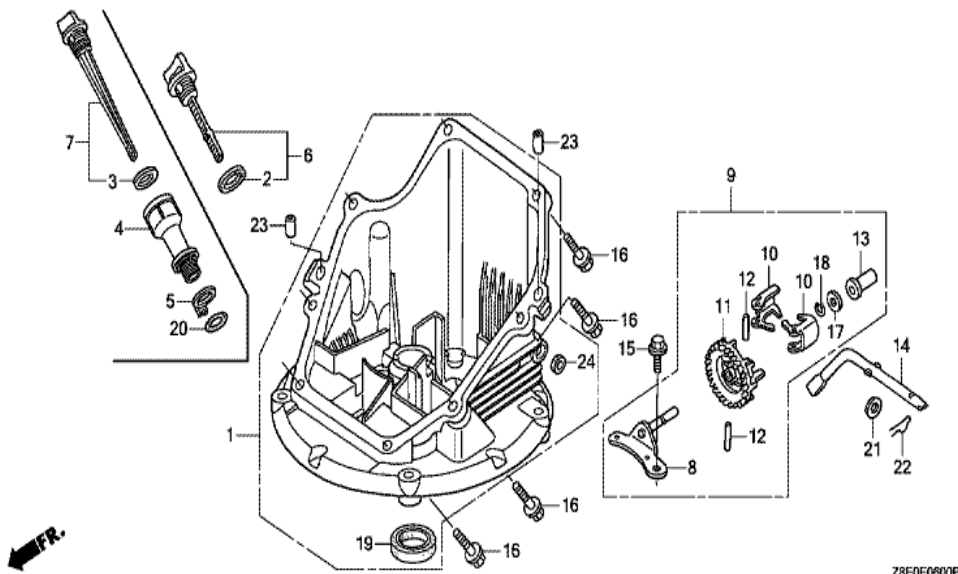


Z8E0E2800C

Ref	Partnumber	Description	GSV190LA	Serial Numbers
002	87114-ZH7-860	LABEL, WARNING	1	
004	87101-Z8E-000	MARK, EMBLEM (GSV190)	1	
005	87169-Z8E-000	MARK, RECOIL COVER	1	
006	87524-Z8B-000	MARK, FUEL COCK CAUTION	1	
007	87516-ZOJ-000	MARK, OPERATOR CAUTION (ENGLISH)	1	
009	87539-ZOJ-000	MARK, EX. CAUTION (ENGLISH)	1	

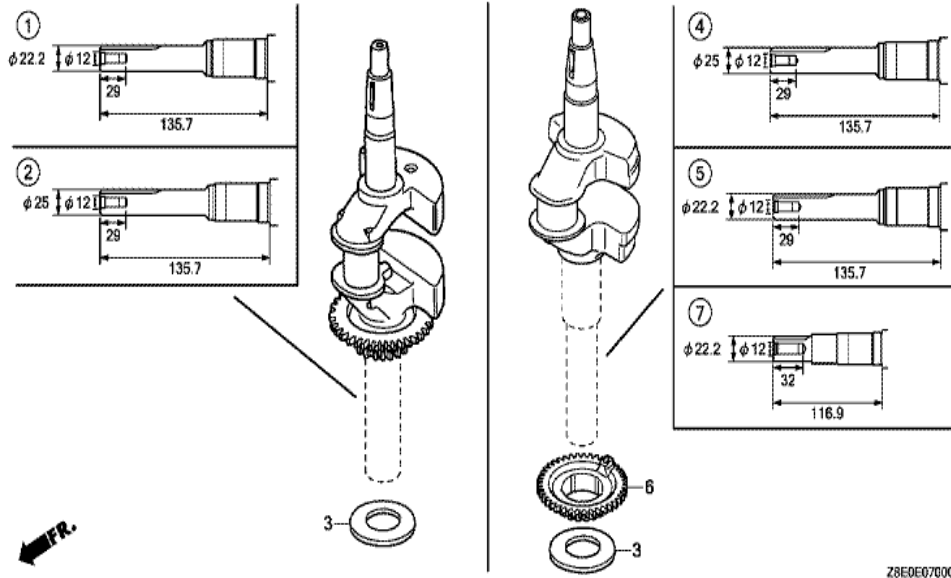


Ref	Partnumber	Description	GSV190LA	Serial Numbers
001	12000-Z2C-405	BARREL ASSY., CYLINDER	1	
002	12310-Z8A-000	COVER COMP., CYLINDER HEAD	1	
004	12355-ZL8-000	COVER COMP., BREATHER	1	
005	90014-952-000	BOLT, FLANGE, 6X14 (CT200)	1	
006	90013-883-000	BOLT, FLANGE, 6X12 (CT200)	4	
007	91001-894-004	BEARING, RADIAL BALL	1	
008	91201-Z2A-003	OIL SEAL, 25.4X74X6	1	
009	98079-55846	PLUG, SPARK (BPR5ES) (NGK)	1	

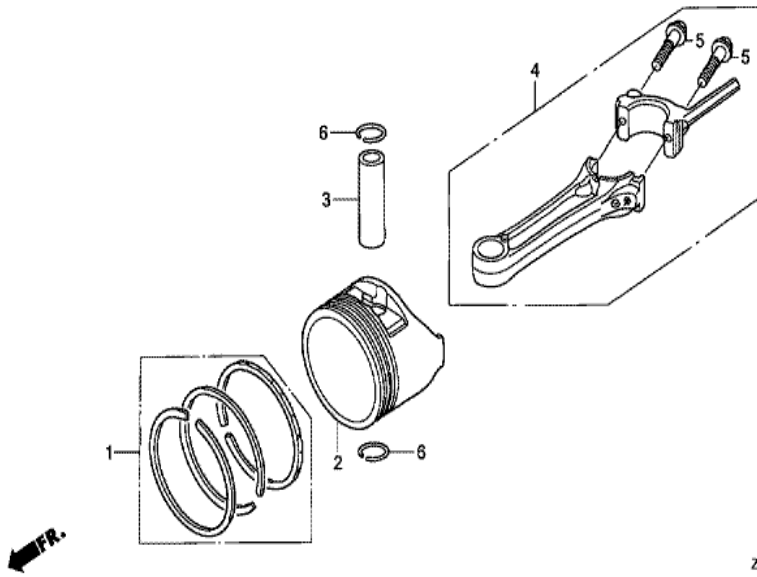


Z8E0E0600B

<u>Ref</u>	<u>Partnumber</u>	<u>Description</u>	<u>GSV190LA</u>	<u>Serial Numbers</u>
001	11300-Z2D-415	PAN ASSY., OIL	1	
002	15625-Z2L-801	PACKING, OIL FILLER CAP	1	
006	15650-Z0L-000	GAUGE ASSY., OIL LEVEL	1	
008	16508-Z8B-003	SHAFT COMP., GOVERNOR HOLDER	1	
009	16510-Z8B-000	GOVERNOR ASSY.	1	
010	16511-ZL8-000	WEIGHT, GOVERNOR	2	
011	16512-ZM0-000	HOLDER, GOVERNOR WEIGHT	1	
012	16513-ZE1-000	PIN, GOVERNOR WEIGHT	2	
013	16531-ZE1-000	SLIDER, GOVERNOR	1	
014	16541-Z8B-000	SHAFT, GOVERNOR ARM	1	
015	90014-952-000	BOLT, FLANGE, 6X14 (CT200)	1	
016	90121-952-000	BOLT, FLANGE, 6X25 (CT200)	8	
017	90451-ZE1-000	WASHER, THRUST, 6MM	1	
<u>Ref</u>	<u>Partnumber</u>	<u>Description</u>	<u>GSV190LA</u>	<u>Serial Numbers</u>
018	90602-ZE1-000	CLIP, GOVERNOR HOLDER	1	
019	91202-ZM0-V31	OIL SEAL, 28X41.25X6 (NOK)	1	
021	94101-06800	WASHER, PLAIN, 6MM	1	
022	94251-08000	PIN, LOCK, 8MM	1	
023	90701-Z8B-000	DOWEL PIN, 8X20	2	
024	91231-891-003	OIL SEAL, 6X11X4 (ARAI)	1	



Ref	Partnumber	Description	GSV190LA	Serial Numbers
003	90402-Z0Y-000	WASHER, THRUST	1	
006	13621-Z8B-900	PULLEY, TIMING BELT DRIVE	1	
007	13311-Z8D-U50	CRANKSHAFT	1	



ZBE0E0800

Ref	Partnumber	Description	GSV190LA	Serial Numbers
001	13010-Z2C-014	RING SET, PISTON (STD.) (TEIKOKU)	1	
002	13101-Z8D-820	PISTON	1	
003	13111-Z8D-000	PIN, PISTON	1	
004	13200-Z0Y-010	ROD ASSY., CONNECTING	1	
005	90006-Z8B-000	BOLT, CONNECTING ROD	2	
006	90551-ZE0-000	CLIP, PISTON PIN, 13MM	2	