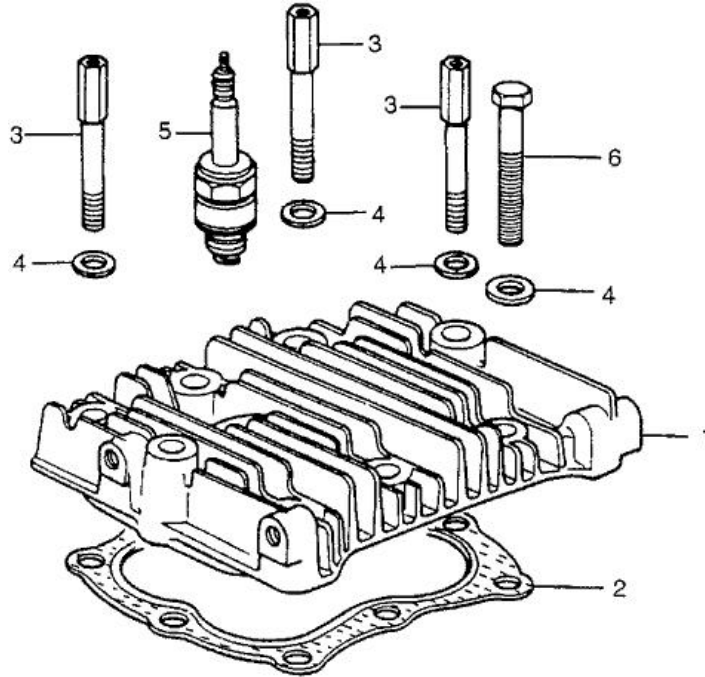
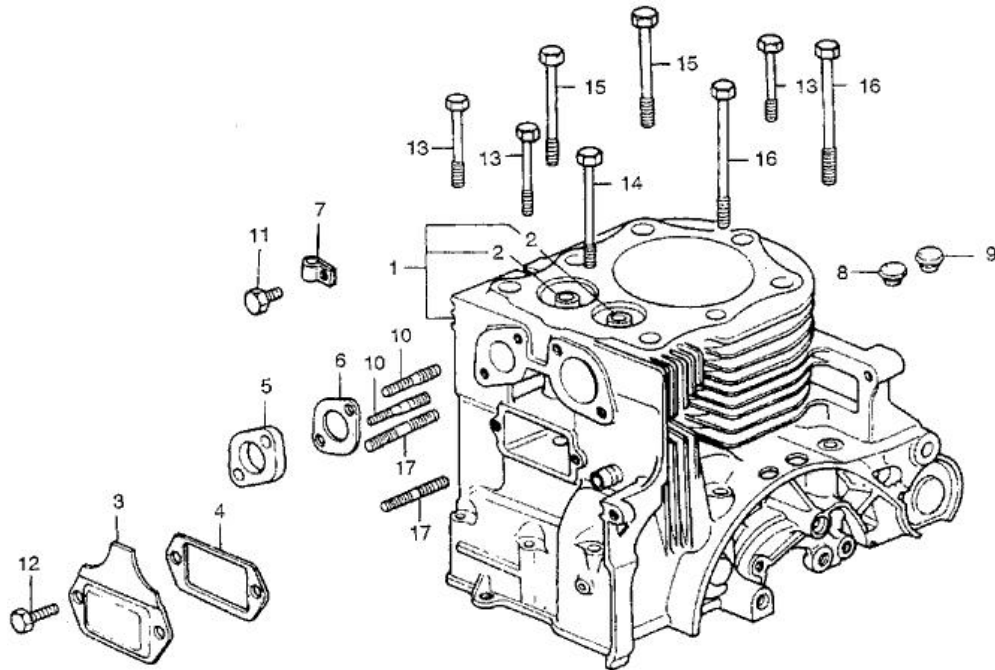


TRU-POWER, INC.

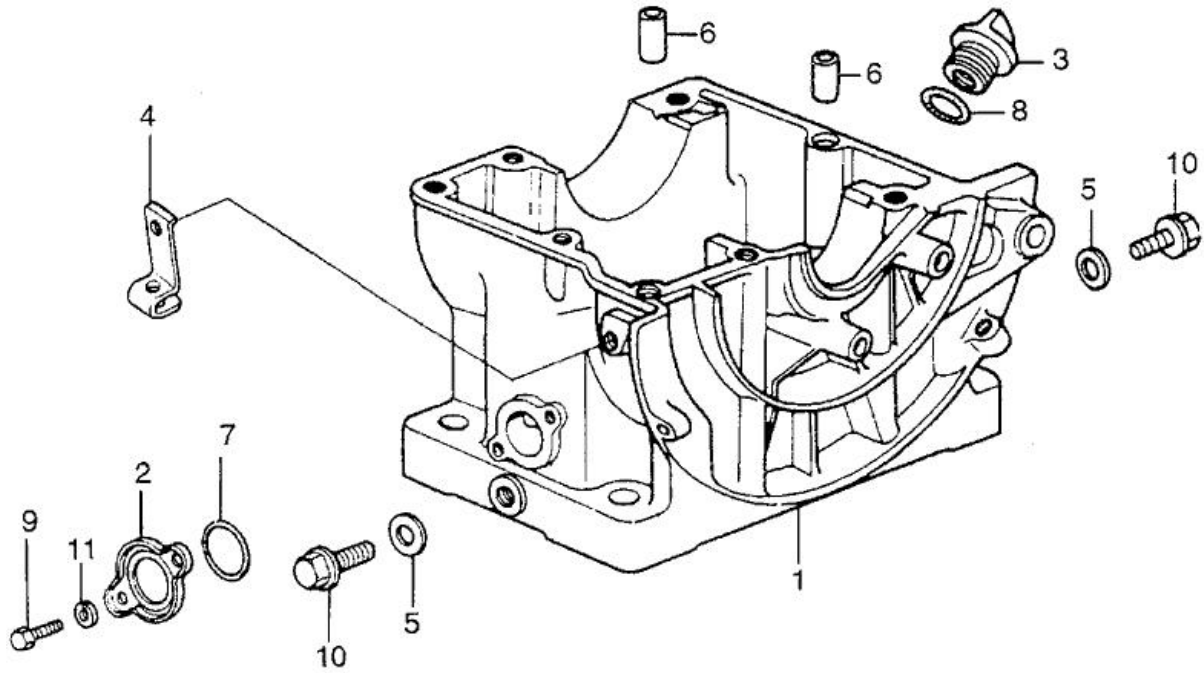
| | | | |
|-------------------|---------------|---------------------|-------------------------------|
| Model Name | GS65 | Product Line | GENERAL PURPOSE ENGINE |
| Mfg | JPN | Type | BD |
| Section | ENGINE | Illustration | G65/GS65 CYLINDER HEAD |



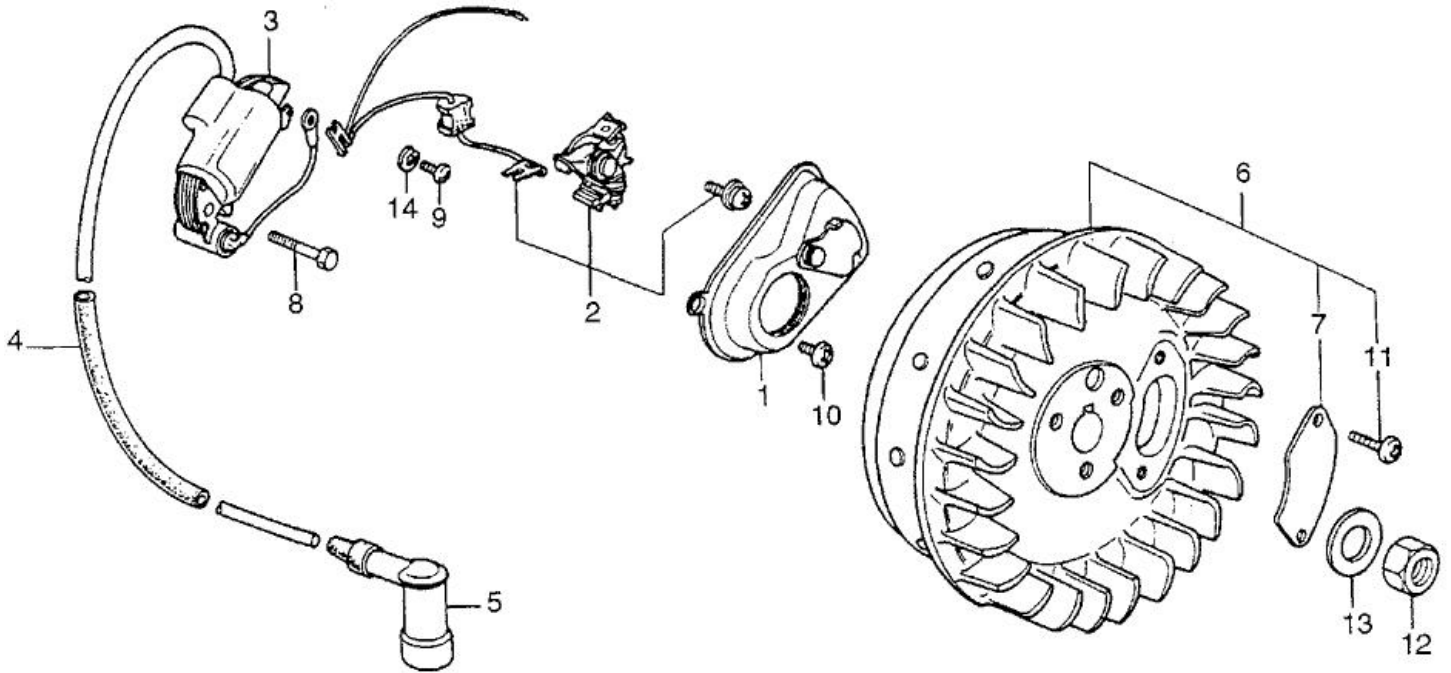
| Ref. | Part Number | Part Description | Qty. |
|------|---------------|---------------------------|------------------------|
| 001 | 12201-823-000 | CYLINDER HEAD | 001 |
| 002 | 12251-823-000 | GASKET, CYLINDER HEAD | (NOT AVAILABLE) 001 |
| 003 | 90001-823-650 | BOLT, CYLINDER HEAD CLAMP | 003 |
| 004 | 90402-822-000 | WASHER, HEAD (8MM) | 008 |
| 005 | 98076-56716 | SPARK PLUG (BR6HS) (NGK) | 001 |
| 006 | 92025-08045 | BOLT, HEX. (8X45) | 005 |



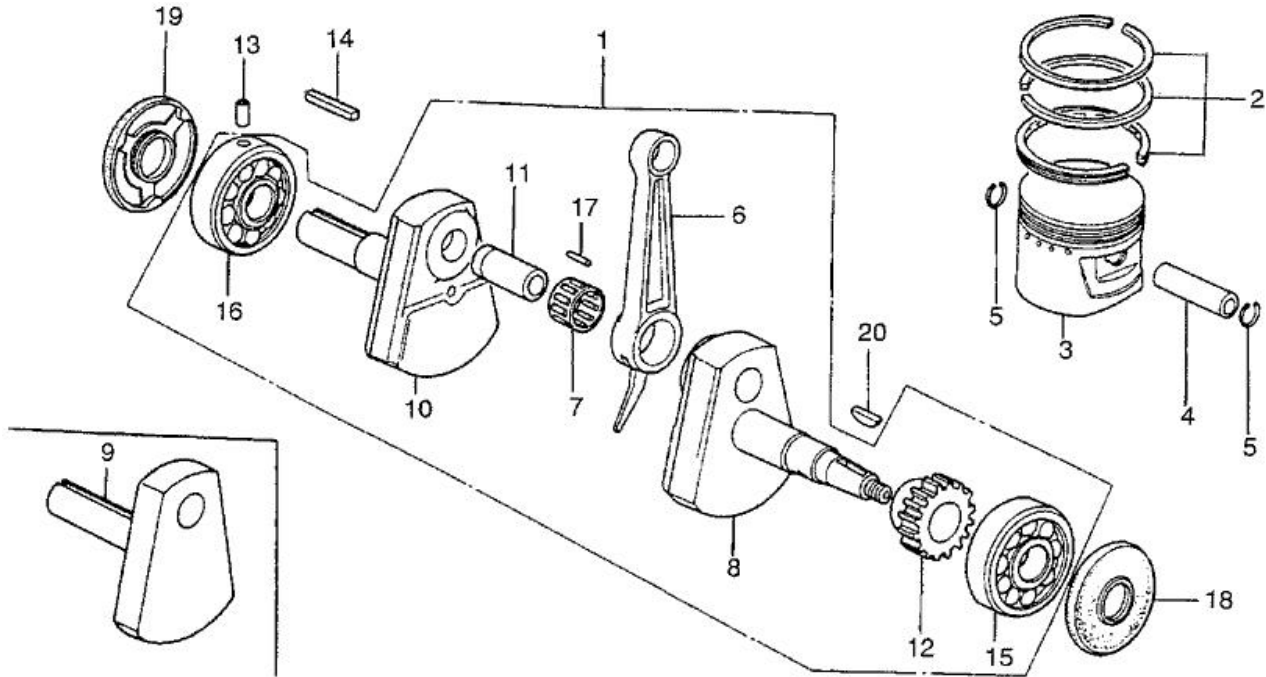
| Ref. | Part Number | Part Description | Qty. |
|------|----------------|------------------------------|-----------------|
| 001 | 12100-823-760 | CYLINDER | 001 |
| 002 | 12236-823-305 | GUIDE, VALVE | (2) |
| 003 | 12361-823-651 | COVER, TAPPET | 001 |
| 004 | 15719-823-000 | GASKET, TAPPET COVER | (NOT AVAILABLE) |
| 005 | 16211-823-303 | INSULATOR, CARBURETOR | (NOT AVAILABLE) |
| 006 | 16229-823-000 | GASKET, CARBURETOR INSULATOR | (NOT AVAILABLE) |
| 008 | 32951-705-000 | GROMMET, WIRE | (NOT AVAILABLE) |
| 009 | 32952-805-020 | GROMMET, WIRE | (NOT AVAILABLE) |
| 010 | 90061-822-010 | BOLT, STUD (8X42) | (NOT AVAILABLE) |
| 012 | 92101-06016-0A | BOLT, HEX. (6X16) | 002 |
| 013 | 92000-06063-0A | BOLT, HEX. (6X63) | 003 |
| 014 | 92101-06090-0A | BOLT, HEX. (6X90) | 001 |
| 015 | 92180-08080-0A | BOLT, HEX. (8X80) | 002 |
| 016 | 92000-08100-0A | BOLT, HEX. (8X100) | 002 |
| 017 | 92900-06020-0B | BOLT, STUD (6X20) | 002 |



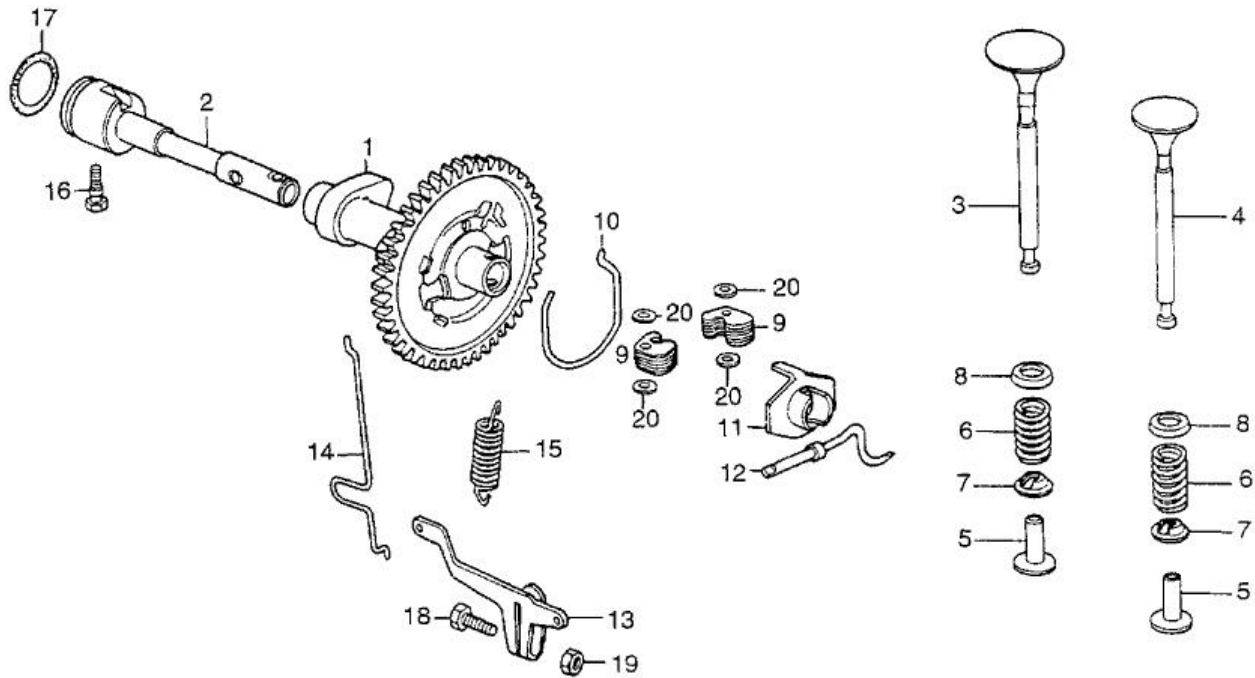
| Ref. | Part Number | Part Description | Qty. |
|------|----------------|---------------------------|-----------------|
| 001 | 11200-823-760 | PAN, OIL | 001 |
| 002 | 11210-822-010 | COVER, OIL PAN HOLE | 001 |
| 003 | 15611-921-000 | CAP, OIL (YELLOW) | 001 |
| 004 | 16591-809-000 | HOLDER, CABLE | (NOT AVAILABLE) |
| 005 | 94109-12000 | WASHER, DRAIN PLUG (12MM) | 002 |
| 006 | 90701-200-000 | PIN, KNOCK (8.5X11) | (NOT AVAILABLE) |
| 007 | 91301-028-000 | O-RING (27X2.0) | 001 |
| 007 | 91305-KF0-003 | O-RING (27X2) (ARAI) | 001 |
| 008 | 91301-805-000 | O-RING (26X2.7) | 001 |
| 009 | 92101-06012 | BOLT, HEX. (6X12) | 002 |
| 009 | 92101-06012-0A | BOLT, HEX. (6X12) | 002 |
| 010 | 92800-12000 | BOLT, DRAIN PLUG (12MM) | 002 |
| 011 | 94111-06000 | WASHER, SPRING (6MM) | 002 |



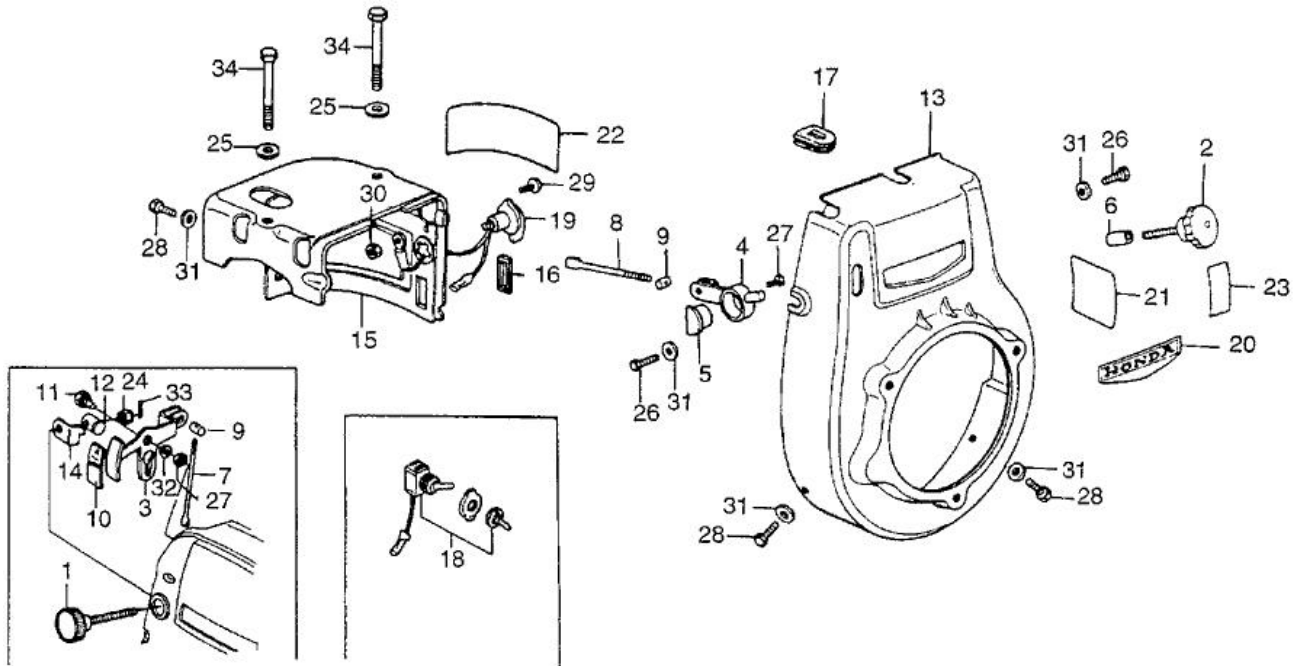
| Ref. | Part Number | Part Description | Qty. |
|------|----------------|--------------------------|------|
| 001 | 30210-823-010 | COVER, POINT | 001 |
| 002 | 30280-873-000 | POINTS ASSY. | 001 |
| 003 | 30560-823-023 | COIL, IGNITION | 001 |
| 004 | 30565-728-000 | TUBE, IGNITION RUBBER | 001 |
| 005 | 30600-823-760 | TERMINAL ASSY., IGNITION | 001 |
| 008 | 92101-06028-0A | BOLT, HEX. (6X28) | 002 |
| 009 | 93500-03006-0B | SCREW, PAN (3X6) | 001 |
| 010 | 93500-05006-0A | SCREW, PAN (5X6) | 002 |
| 014 | 94111-03000 | WASHER, SPRING (3MM) | 001 |
| | | (NOT AVAILABLE) | |



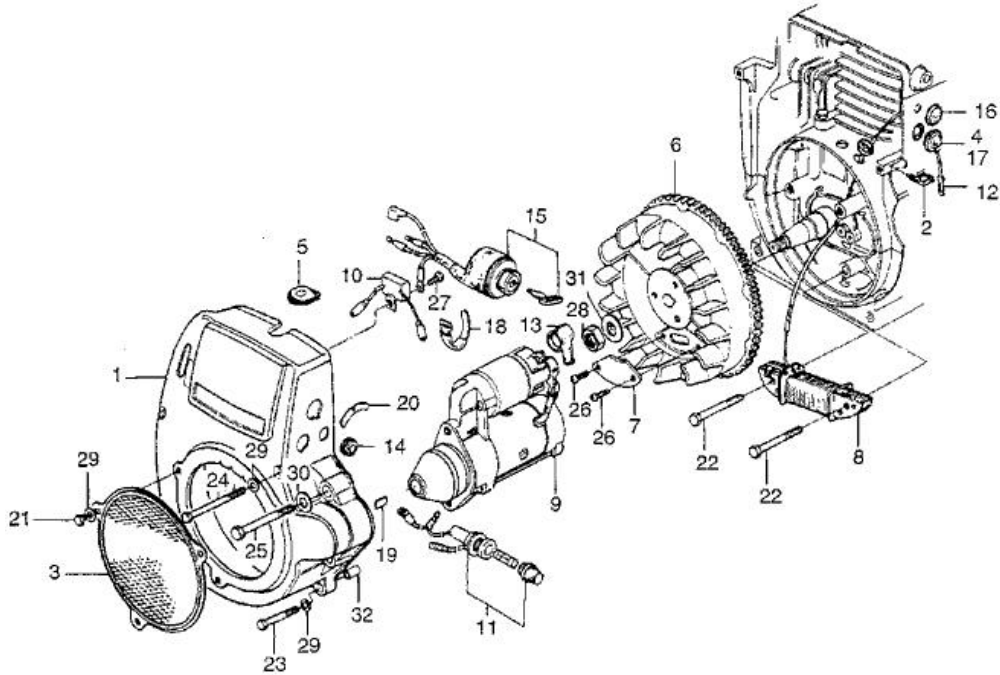
| Ref. | Part Number | Part Description | Qty. |
|------|---------------|-------------------------------------|-------------------------|
| 001 | 13000-873-000 | CRANKSHAFT ASSY. | 001 |
| 002 | 13011-809-010 | RING SET, PISTON (STD) | (NOT AVAILABLE) 001 |
| 002 | 13021-809-010 | RING SET, PISTON (OVER SIZE) (0.25) | (NOT AVAILABLE) (1) |
| 002 | 13031-809-010 | RING SET, PISTON (OVER SIZE) (0.50) | (NOT AVAILABLE) (1) |
| 002 | 13041-809-010 | RING SET, PISTON (OVER SIZE) (0.75) | (NOT AVAILABLE) (1) |
| 003 | 13101-823-000 | PISTON (STD) | (NOT AVAILABLE) 001 |
| 003 | 13102-823-000 | PISTON (OVER SIZE) (0.25) | (NOT AVAILABLE) (1) |
| 003 | 13103-823-000 | PISTON (OVER SIZE) (0.50) | (NOT AVAILABLE) (1) |
| 003 | 13104-823-000 | PISTON (OVER SIZE) (0.75) | (1) |
| 004 | 13111-809-010 | PIN, PISTON | (NOT AVAILABLE) 001 |
| 005 | 94601-19000 | CLIP, PISTON PIN (19MM) | 002 |
| 006 | 13201-809-010 | ROD, CONNECTING | (NOT AVAILABLE) 001 |
| 007 | 13211-809-000 | RETAINER, ROLLER | 001 |
| 008 | 13311-823-010 | CRANKSHAFT, R. | 001 |
| 009 | 13321-809-010 | CRANKSHAFT, L. | 001 |
| 011 | 13381-809-010 | PIN, CRANK | (N/A: SEE ASSEMBLY) 001 |
| 012 | 14311-823-000 | GEAR, TIMING | 001 |
| 013 | 90705-259-020 | PIN, KNOCK (7X12) | (NOT AVAILABLE) 001 |
| 014 | 90741-889-810 | KEY (7X7X33) (OVER SIZE) (YELLOW) | 001 |
| 015 | 91001-809-003 | BEARING, RADIAL BALL (6306S) | (NOT AVAILABLE) 001 |
| 016 | 91002-809-003 | BEARING, BALL (6306) | 001 |
| 017 | 91101-809-020 | ROLLER, ROD (3X16) | 024 |
| 018 | 91201-809-003 | OIL SEAL (30759) | (NOT AVAILABLE) 001 |
| 019 | 91202-809-003 | OIL SEAL (PJ30779) | 001 |
| 020 | 94401-25180 | KEY, WOODRUFF (25X18) | 001 |



| Ref. | Part Number | Part Description | Qty. |
|------|----------------|-------------------------------|-----------------|
| 001 | 14101-823-303 | CAMSHAFT | 001 |
| 002 | 14210-823-010 | CENTER, CAMSHAFT | 001 |
| 003 | 14711-823-020 | VALVE, IN. | (NOT AVAILABLE) |
| 004 | 14721-823-020 | VALVE, EX. | (NOT AVAILABLE) |
| 005 | 14731-809-010 | LIFTER, VALVE | (NOT AVAILABLE) |
| 006 | 14751-823-010 | SPRING, VALVE | (NOT AVAILABLE) |
| 007 | 14771-883-305 | RETAINER, VALVE SPRING | (NOT AVAILABLE) |
| 008 | 14775-809-000 | SEAT, SPRING | (NOT AVAILABLE) |
| 009 | 16511-805-000 | WEIGHT, GOVERNOR | 012 |
| 010 | 16515-805-000 | CENTER, GOVERNOR WEIGHT | (NOT AVAILABLE) |
| 011 | 16521-823-000 | SLIDER, GOVERNOR | (NOT AVAILABLE) |
| 012 | 16535-809-010 | SHAFT, GOVERNOR ARM | (NOT AVAILABLE) |
| 013 | 16541-809-030 | ARM, GOVERNOR | 001 |
| 014 | 16545-823-000 | ROD, GOVERNOR | (NOT AVAILABLE) |
| 015 | 16551-806-000 | SPRING, GOVERNOR | 001 |
| 016 | 90008-809-000 | BOLT, CAMSHAFT CENTER STOPPER | (NOT AVAILABLE) |
| 017 | 91318-PA9-003 | O-RING (23.5X2.1) (ARAI) | 001 |
| 018 | 92101-06016-0A | BOLT, HEX. (6X16) | 001 |
| 019 | 94001-06000-0S | NUT, HEX. (6MM) | 001 |
| 019 | 94001-06200-0S | NUT, HEX. (6MM) | 001 |
| 020 | 94101-03000 | WASHER, PLAIN (3MM) | 004 |

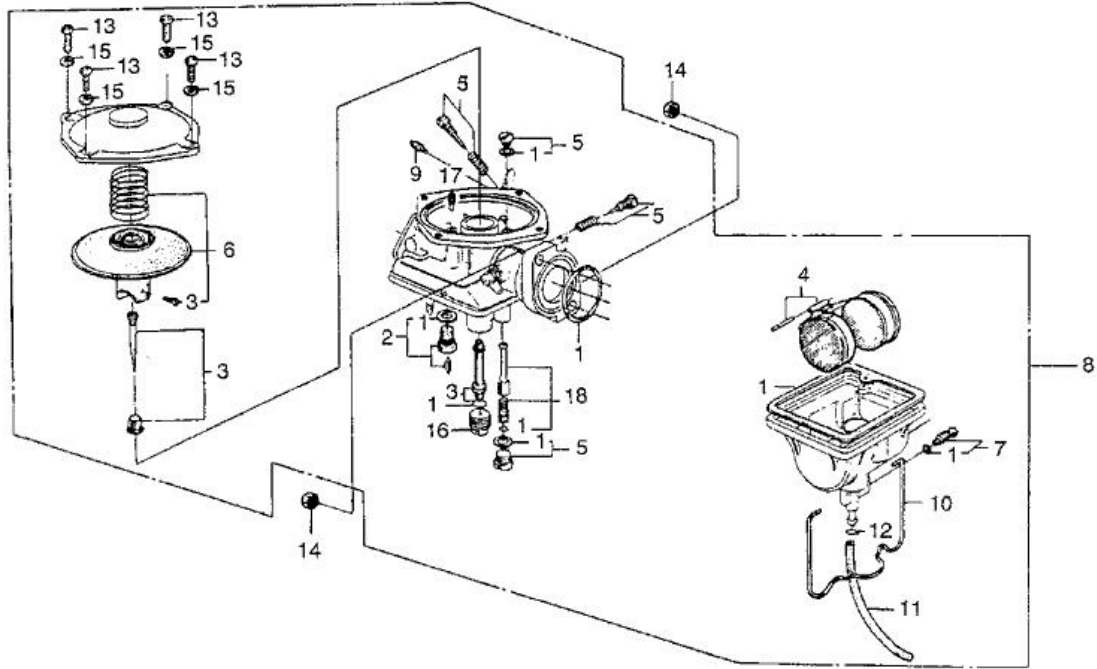


| Ref. | Part Number | Part Description | Qty. |
|------|----------------|----------------------------|-----------------|
| 001 | 16560-809-040 | KNOB, ADJUSTER | 001 |
| 003 | 16570-809-020 | ARM, GOVERNOR | 001 |
| 009 | 16579-810-000 | JOINT, ADJUSTING ROD | 001 |
| 010 | 16581-823-000 | PLATE, INJECTOR | (NOT AVAILABLE) |
| 011 | 16586-823-760 | PIVOT, ADJUSTER ARM | 001 |
| 012 | 16587-809-010 | NUT, ADJUSTER ARM | 001 |
| 014 | 19607-823-760 | STAY, ADJUSTER | 001 |
| 015 | 19611-823-000C | COVER, SIDE *R2L*(SCARLET) | 001 |
| 020 | 87101-865-000 | EMBLEM | (NOT AVAILABLE) |
| 021 | 87515-865-660 | MARK, DIPSTICK OIL | (NOT AVAILABLE) |
| 022 | 87521-823-720 | PLATE, DISCRIPTION | 001 |
| 022 | 87521-829-600 | PLATE, DESCRIPTION | 001 |
| 024 | 90284-809-000 | NUT, SPECIAL (6M/M) | 001 |
| 027 | 94001-06000-0S | NUT, HEX. (6MM) | 002 |
| 027 | 94001-06200-0S | NUT, HEX. (6MM) | 002 |
| 028 | 92101-06012 | BOLT, HEX. (6X12) | 005 |
| 028 | 92101-06012-0A | BOLT, HEX. (6X12) | 005 |
| 031 | 94101-06800 | WASHER, PLAIN (6MM) | 005 |
| 032 | 90512-921-010 | WASHER (6MM) | 001 |
| 033 | 94201-16120 | PIN, SPLIT (1.6X12) | 001 |
| 034 | 95125-08065-00 | BOLT, HEX. (8X65) | (NOT AVAILABLE) |

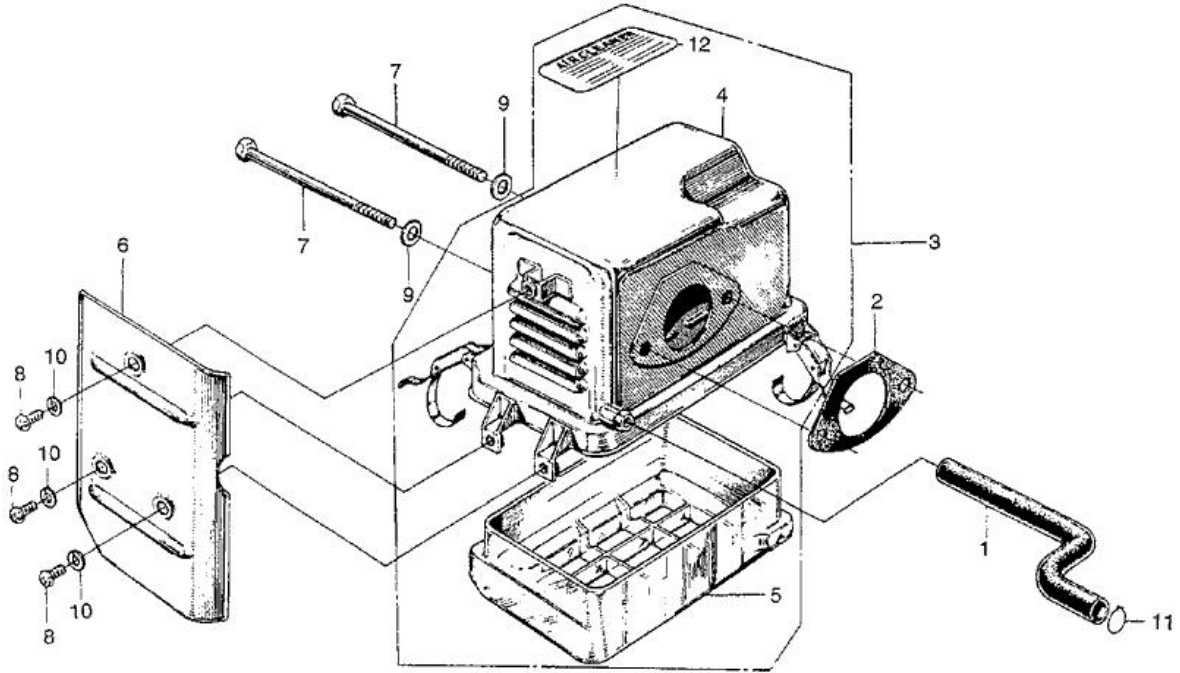


| Ref. | Part Number | Part Description | Qty. |
|------|----------------|--|------|
| 001 | 19600-823-720H | COVER, FAN *R8*(BRIGHT RED) | 001 |
| 002 | 19612-823-000 | MOUNT, SIDE COVER (NOT AVAILABLE) | 001 |
| 003 | 19630-823-760H | PROTECTOR, FAN COVER *R8*(BRIGHT RED) (NOT AVAILA... | 001 |
| 004 | 19901-865-780 | GROMMET, SIDE COVER | 001 |
| 005 | 19905-823-760 | GROMMET, WIRE | 001 |
| 007 | 31125-822-000 | COVER, FLYWHEEL WINDOW (NOT AVAILABLE) | 001 |
| 008 | 31160-842-158 | COIL ASSY., CHARGE (NOT AVAILABLE) | 001 |
| 009 | 31200-823-760 | STARTER MOTOR ASSY. (NOT AVAILABLE) | 001 |
| 010 | 31700-823-761 | RECTIFIER, SILICON (NOT AVAILABLE) | 001 |
| 011 | 32130-823-761 | HOLDER ASSY., FUSE | 001 |
| 012 | 32150-823-760 | WIRE B, STOP SWITCH (NOT AVAILABLE) | 001 |
| 013 | 32411-230-000 | COVER, STARTER MOTOR TERMINAL | 001 |
| 014 | 32960-823-761 | GROMMET B, WIRE | 001 |
| 015 | 35100-823-760 | SWITCH ASSY., COMBINATION (NOT AVAILABLE) | 001 |
| 016 | 36101-823-760 | GROMMET A, SIDE COVER | 001 |
| 018 | 36153-823-760 | BAND, CABLE | 001 |
| 019 | 87544-823-760 | MARK, FUSE | 001 |
| 020 | 87546-823-770 | MARK, ENGINE SWITCH | 001 |
| 021 | 92101-06008-0A | BOLT, HEX. (6X8) | 003 |
| 022 | 92101-06028-0A | BOLT, HEX. (6X28) | 002 |
| 023 | 92000-06040-0A | BOLT, HEX. (6X40) | 002 |
| 023 | 92101-06040-0A | BOLT, HEX. (6X40) (NOT AVAILABLE) | 002 |
| 024 | 92101-06070-0A | BOLT, HEX. (6X70) | 002 |
| 025 | 92101-08055-0A | BOLT, HEX. (8X55) | 002 |
| 026 | 93500-05010-0A | SCREW, PAN (5X10) | 002 |
| 027 | 93500-06008 | SCREW, PAN (6X8) | 001 |
| 027 | 93500-06008-0A | SCREW, PAN (6X8) | 001 |
| 027 | 93500-06008-0H | SCREW, PAN (6X8) | 001 |
| 028 | 94002-14000-0S | NUT, HEX. (14MM) (SOURCE: VINTAGE PARTS INC.) | 001 |
| 029 | 94101-06800 | WASHER, PLAIN (6MM) | 007 |
| 030 | 94101-08000 | WASHER, PLAIN (8MM) | 002 |
| 031 | 94101-14000 | WASHER, PLAIN (14MM) | 001 |

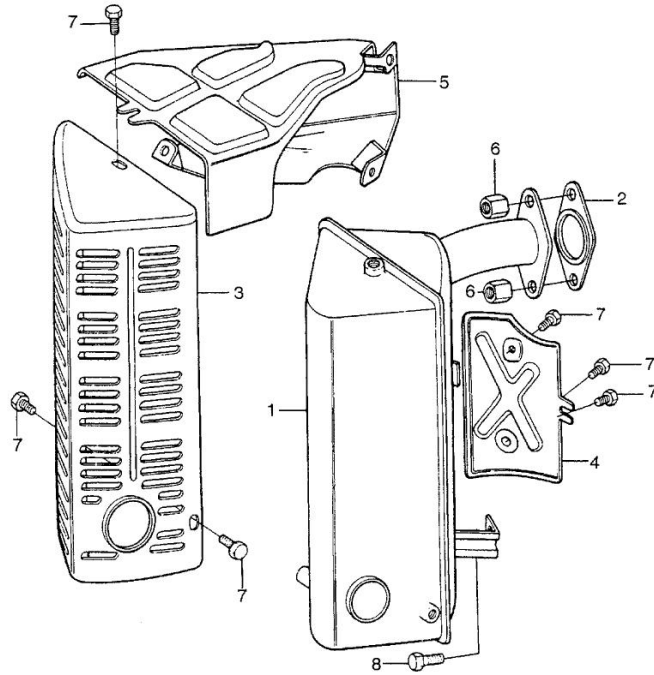
| Ref. | Part Number | Part Description | Qty. |
|------|-------------|-------------------|------|
| 032 | 94301-08140 | PIN, DOWEL (8X14) | 002 |



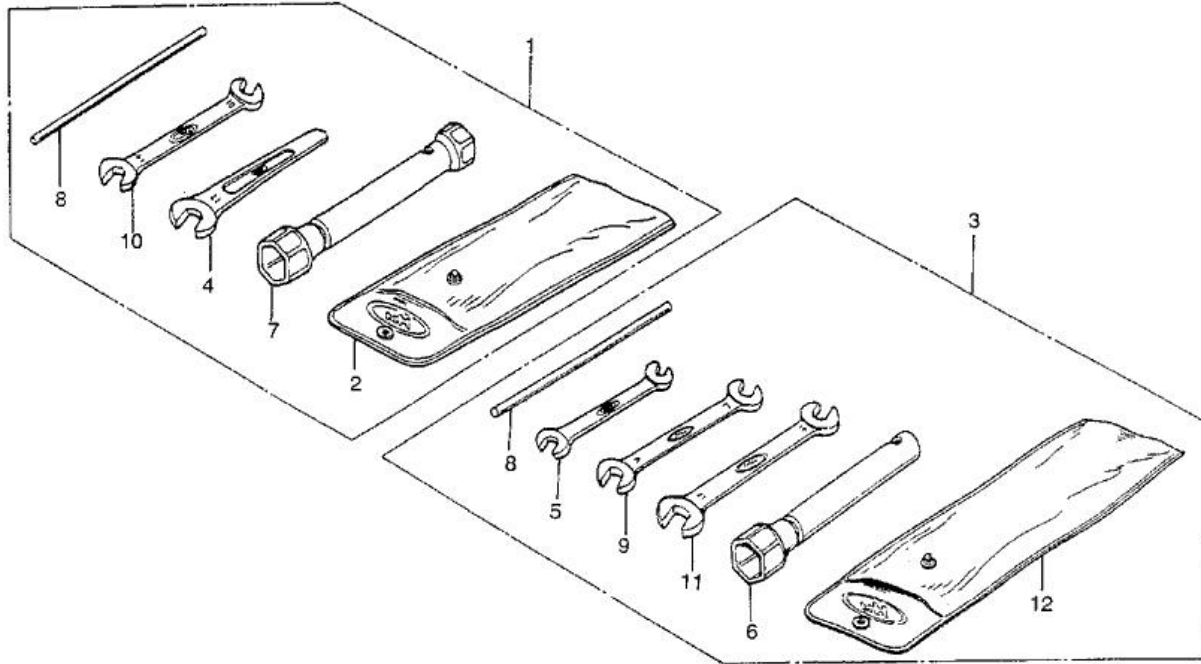
| Ref. | Part Number | Part Description | Qty. |
|------|-----------------|--|------|
| 001 | 16010-822-004 | GASKET SET (NOT AVAILABLE) | 001 |
| 002 | 16011-355-004 | VALVE SET, FLOAT | 001 |
| 003 | 16012-823-004 | NEEDLE SET, JET (NOT AVAILABLE) | 001 |
| 004 | 16013-822-004 | FLOAT SET (NOT AVAILABLE) | 001 |
| 005 | 16016-823-000 | SCREW SET (NOT AVAILABLE) | 001 |
| 006 | 16022-823-004 | VALVE SET, THROTTLE (NOT AVAILABLE) | 001 |
| 007 | 16024-707-004 | SCREW SET, DRAIN (NOT AVAILABLE) | 001 |
| 008 | 16100-823-000 | CARBURETOR ASSY. (NOT AVAILABLE) | 001 |
| 009 | 16169-823-004 | SCREW | 001 |
| 010 | 16187-822-004 | CLIP, FLOAT CHAMBER | 001 |
| 011 | 95001-35003-60M | BULK HOSE, FUEL (3.5X3000) OEM CUT SIZE: (3.5X150) | 001 |
| 012 | 90605-921-000 | CLIP B7, TUBE | 001 |
| 013 | 93500-05012-0A | SCREW, PAN (5X12) | 004 |
| 014 | 94001-06000-0S | NUT, HEX. (6MM) | 002 |
| 014 | 94001-06200-0S | NUT, HEX. (6MM) | 002 |
| 015 | 94111-05000 | WASHER, SPRING (5MM) | 004 |
| 016 | 99114-822-0820 | JET, MAIN (#82) (NOT AVAILABLE) | (4) |
| 016 | 99114-822-0850 | JET, MAIN (#85) | (4) |
| 016 | 99114-823-0900 | JET, MAIN (#85) | (4) |
| 016 | 99114-823-0920 | JET, MAIN (#92) | 001 |
| 016 | 99114-823-0950 | JET, MAIN (#95) | (1) |
| 016 | 99114-823-0980 | JET, MAIN (#98) | (1) |
| 016 | 99114-823-1000 | JET, MAIN (#100) | (1) |
| 017 | 99134-823-0700 | JET, AIR (#70) | 001 |
| 018 | 99204-822-0400 | JET SET, PILOT (#40) (NOT AVAILABLE) | 001 |



| Ref. | Part Number | Part Description | Qty. |
|------|----------------|--|------|
| 001 | 12381-823-010 | TUBE, BREATHER | 001 |
| 002 | 16269-822-306 | GASKET, AIR CLEANER (NOT AVAILABLE) | 001 |
| 003 | 17400-823-661 | AIR CLEANER, BATH (NOT AVAILABLE) | 001 |
| 004 | 17401-823-811H | BODY, CLEANER *R8*(BRIGHT RED) | 001 |
| 005 | 17402-822-660 | PAN, OIL (NOT AVAILABLE) | 001 |
| 006 | 17403-822-810 | PROTECTOR (NOT AVAILABLE) | 001 |
| 007 | 92101-06090-0A | BOLT, HEX. (6X90) | 002 |
| 008 | 93500-04008-0A | SCREW, PAN (4X8) | 003 |
| 009 | 94101-06800 | WASHER, PLAIN (6MM) | 002 |
| 010 | 94111-04000 | WASHER, SPRING (4MM) | 003 |
| 011 | 95002-02130 | CLIP, TUBE (B12.5) | 001 |
| 012 | 87535-816-660 | PLATE, OIL BATH CAUTION | 001 |



| Ref. | Part Number | Part Description | Qty. |
|------|----------------|------------------------------------|------|
| 001 | 18300-823-000 | MUFFLER (NOT AVAILABLE) | 001 |
| 002 | 18351-809-000 | GASKET, MUFFLER | 001 |
| 003 | 18361-823-000 | PROTECTOR, MUFFLER (NOT AVAILABLE) | 001 |
| 004 | 18363-822-010 | PLATE, MUFFLER SEPARATOR | 001 |
| 005 | 18365-823-000 | COVER, EX. PIPE | 001 |
| 006 | 90381-703-000 | NUT, HEX. (6MM) (NOT AVAILABLE) | 002 |
| 007 | 92101-06008-0B | BOLT, HEX. (6X8) | 006 |
| 008 | 92101-08018-0A | BOLT, HEX. (8X18) | 001 |



| Ref. | Part Number | Part Description | Qty. |
|------|---------------|------------------------------------|------|
| 001 | 83010-805-000 | TOOL SET (NOT AVAILABLE) | 001 |
| 002 | 89101-ME5-670 | BAG, TOOL | 001 |
| 004 | 89206-805-000 | WRENCH, OPEN END (7MM) | 001 |
| 007 | 89216-829-010 | WRENCH, SPARK PLUG (NOT AVAILABLE) | 001 |
| 008 | 89219-805-000 | HANDLE, BOX WRENCH | 001 |
| 010 | 99001-10140 | SPANNER (10X14) | 001 |