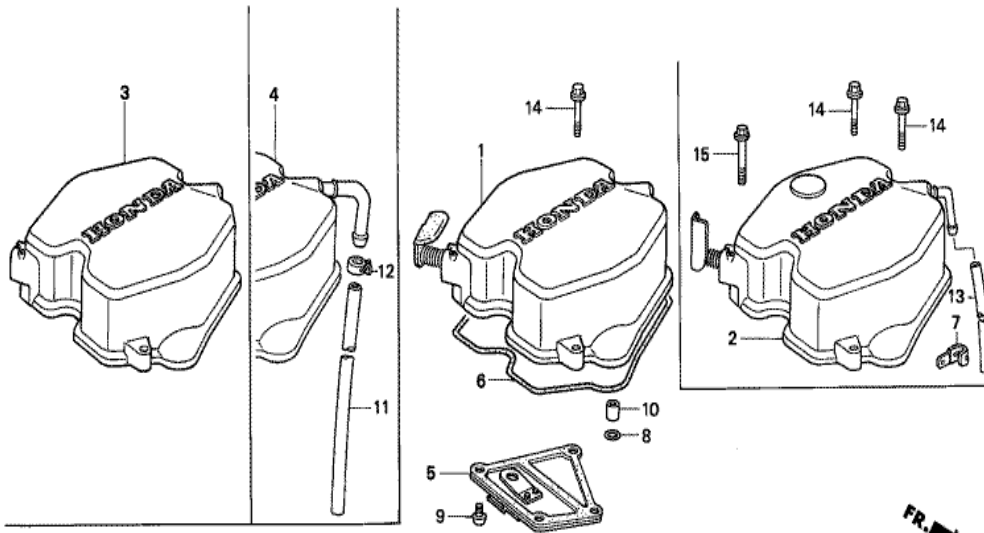


GD410(QAA)

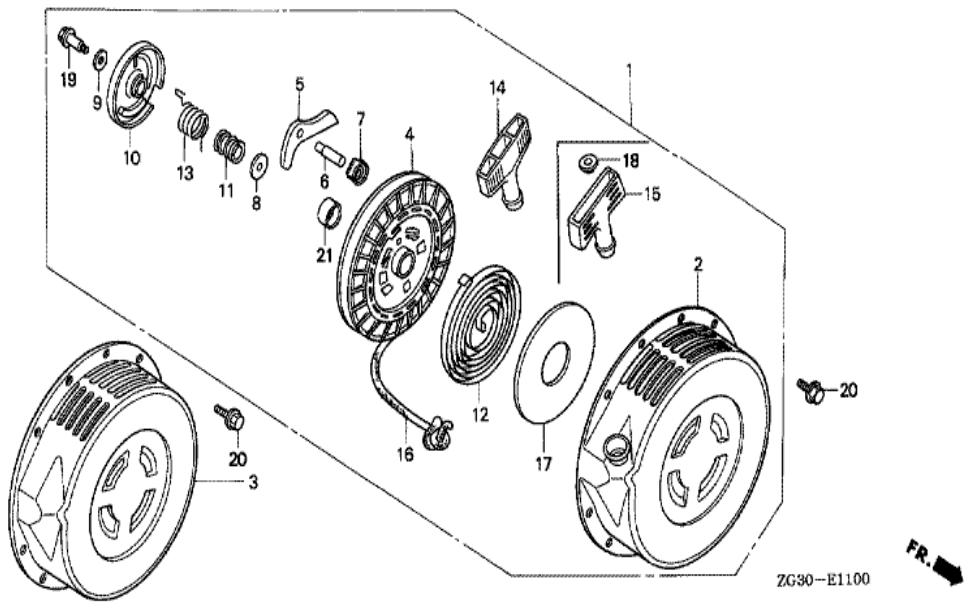
E-1 CYLINDER HEAD COVER



ZG30-E0100

| Ref | Partnumber    | Description           | GD410 | Serial Numbers |
|-----|---------------|-----------------------|-------|----------------|
| 003 | 12311-ZG3-010 | COVER, CYLINDER HEAD  | 1     | 1028139        |
| 003 | 12311-ZG3-010 | COVER, CYLINDER HEAD  | 1     |                |
| 005 | 12380-ZG3-000 | PLATE COMP., BREATHER | 1     |                |
| 006 | 12391-ZG3-000 | O-RING, HEAD COVER    | 1     |                |
| 008 | 51866-SA5-801 | O-RING                | 1     |                |
| 009 | 90009-ZG3-000 | SCREW, PAN, 6X8       | 4     |                |
| 009 | 90009-ZG3-000 | SCREW, PAN, 6X8       | 4     | 1011687        |
| 009 | 93500-060080A | SCREW, PAN, 6X8       | 4     | 1011688        |
| 009 | 93500-060080A | SCREW, PAN, 6X8       | 4     | 1011688        |
| 010 | 94301-06100   | DOWEL PIN, 6X10       | 1     |                |
| 014 | 95701-0603200 | BOLT, FLANGE, 6X32    | 3     | 1001160        |
| 014 | 95701-0603200 | BOLT, FLANGE, 6X32    | 3     |                |

|            |                         |
|------------|-------------------------|
| GD410(QAA) | E-11 RECOIL STARTER (1) |
|------------|-------------------------|



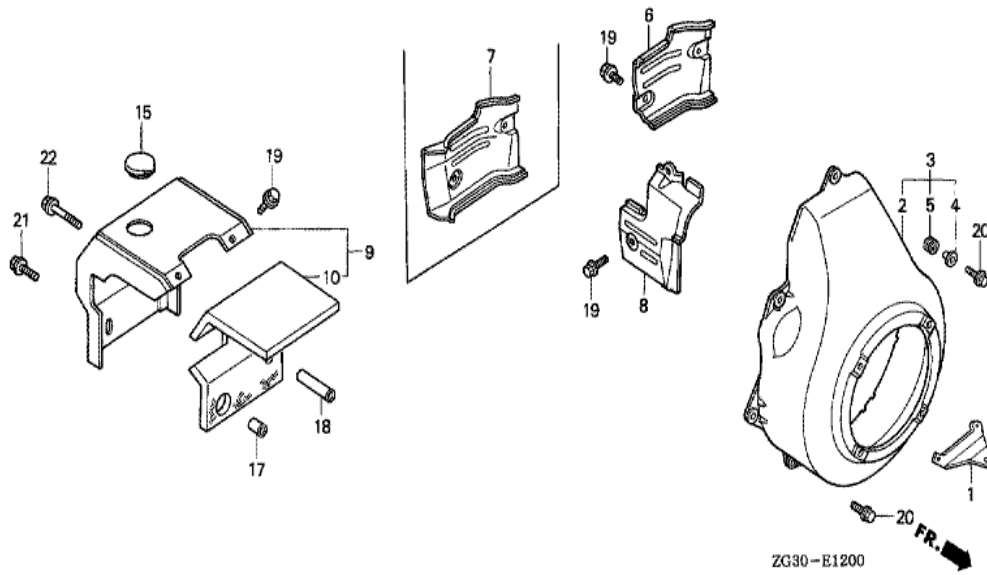
| Ref | Partnumber      | Description                     | GD410 | Serial Numbers |
|-----|-----------------|---------------------------------|-------|----------------|
| 001 | 28400-ZG3-003ZA | STARTER ASSY., RECOIL *NH116M * | 1     |                |
| 001 | 28400-ZG3-003ZA | STARTER ASSY., RECOIL *NH116M * | 1     | 1000113        |
| 001 | 28400-ZG3-004ZA | STARTER ASSY., RECOIL *NH116M * | 1     | 1001381        |
| 001 | 28400-ZG3-004ZA | STARTER ASSY., RECOIL *NH116M * | 1     | 1000114        |
| 002 | 28410-ZG3-003ZA | CASE COMP., STARTER *NH116M *   | 1     |                |
| 002 | 28410-ZG3-003ZA | CASE COMP., STARTER *NH116M *   | 1     | 1000113        |
| 002 | 28410-ZG3-004ZA | CASE COMP., STARTER *NH116M *   | 1     | 1001381        |
| 002 | 28410-ZG3-004ZA | CASE COMP., STARTER *NH116M *   | 1     | 1000114        |
| 004 | 28420-ZE8-811   | REEL COMP., STARTER             | 1     |                |
| 004 | 28420-ZE8-811   | REEL COMP., STARTER             | 1     | 1000113        |
| 004 | 28420-ZE8-812   | REEL COMP., STARTER             | 1     | 1001381        |
| 004 | 28420-ZE8-812   | REEL COMP., STARTER             | 1     | 1000114        |
| 005 | 28422-ZG3-003   | RATCHET, STARTER                | 1     |                |

| <u>Ref</u> | <u>Partnumber</u> | <u>Description</u>                     | <u>GD410</u> | <u>Serial Numbers</u> |
|------------|-------------------|--|--------------|-----------------------|
| 005        | 28422-ZG3-003     | RATCHET, STARTER                       | 1            | 1000113               |
| 005        | 28422-ZG3-004     | RATCHET, STARTER                       | 1            | 1001381               |
| 005        | 28422-ZG3-004     | RATCHET, STARTER                       | 1            | 1000114               |
| 006        | 28423-ZG3-003     | SHAFT, RATCHET                         | 1            |                       |
| 006        | 28423-ZG3-003     | SHAFT, RATCHET                         | 1            | 1000113               |
| 006        | 28423-ZG3-004     | SHAFT, RATCHET                         | 1            | 1001381               |
| 006        | 28423-ZG3-004     | SHAFT, RATCHET                         | 1            | 1000114               |
| 007        | 28424-ZE1-711     | PLATE, GUIDE                           | 1            |                       |
| 007        | 28424-ZE1-711     | PLATE, GUIDE                           | 1            | 1000113               |
| 007        | 28424-ZE1-712     | PLATE, GUIDE                           | 1            | 1001381               |
| 007        | 28424-ZE1-712     | PLATE, GUIDE                           | 1            | 1000114               |
| 008        | 28431-ZG3-003     | PLATE A, FRICTION                      | 1            |                       |
| 008        | 28431-ZG3-003     | PLATE A, FRICTION                      | 1            | 1000113               |
| 008        | 28431-ZG3-004     | PLATE A, FRICTION                      | 1            | 1001381               |
| 008        | 28431-ZG3-004     | PLATE A, FRICTION                      | 1            | 1000114               |
| 009        | 28432-ZG0-003     | PLATE B, FRICTION                      | 1            |                       |
| 009        | 28432-ZG0-003     | PLATE B, FRICTION                      | 1            | 1000113               |
| 009        | 28432-ZG0-004     | PLATE B, FRICTION                      | 1            | 1001381               |
| 009        | 28432-ZG0-004     | PLATE B, FRICTION                      | 1            | 1000114               |
| 010        | 28434-ZE8-811     | COVER, STARTER REEL                    | 1            |                       |
| 010        | 28434-ZE8-811     | COVER, STARTER REEL                    | 1            | 1000113               |
| 010        | 28434-ZE8-812     | COVER, STARTER REEL                    | 1            | 1001381               |
| 010        | 28434-ZE8-812     | COVER, STARTER REEL                    | 1            | 1000114               |
| 011        | 28441-ZG3-003     | SPRING, FRICTION                       | 1            |                       |
| 011        | 28441-ZG3-003     | SPRING, FRICTION                       | 1            | 1000113               |
| 011        | 28441-ZG3-004     | SPRING, FRICTION (D=13.0MM / L=16.3MM) | 1            | 1001381               |
| 011        | 28441-ZG3-004     | SPRING, FRICTION (D=13.0MM / L=16.3MM) | 1            | 1000114               |
| 012        | 28442-ZE1-711     | SPRING, RETURN                         | 1            |                       |
| 012        | 28442-ZE1-711     | SPRING, RETURN                         | 1            | 1000113               |
| 012        | 28442-ZE1-713     | SPRING, RETURN                         | 1            | 1001381               |
| 012        | 28442-ZE1-713     | SPRING, RETURN                         | 1            | 1000114               |
| 013        | 28449-ZG3-003     | SPRING, TORSION                        | 1            |                       |
| 013        | 28449-ZG3-003     | SPRING, TORSION                        | 1            | 1000113               |

| <u>Ref</u> | <u>Partnumber</u> | <u>Description</u>  | <u>GD410</u> | <u>Serial Numbers</u> |
|------------|-------------------|---------------------|--------------|-----------------------|
| 013        | 28449-ZG3-004     | SPRING, TORSION     | 1            | 1001381               |
| 013        | 28449-ZG3-004     | SPRING, TORSION     | 1            | 1000114               |
| 014        | 28461-ZE8-811     | GRIP, STARTER       | 1            |                       |
| 014        | 28461-ZE8-811     | GRIP, STARTER       | 1            | 1000113               |
| 015        | 28461-ZG3-004     | GRIP, STARTER       | 1            |                       |
| 015        | 28461-ZG3-004     | GRIP, STARTER       | 1            | 1000114               |
| 016        | 28462-ZG3-003     | ROPE, STARTER       | 1            |                       |
| 016        | 28462-ZG3-003     | ROPE, STARTER       | 1            | 1000113               |
| 016        | 28462-ZG3-004     | ROPE, STARTER       | 1            | 1001381               |
| 016        | 28462-ZG3-004     | ROPE, STARTER       | 1            | 1000114               |
| 018        | 28469-ZE2-W01     | REINFORCEMENT, GRIP | 1            |                       |
| 018        | 28469-ZE2-W01     | REINFORCEMENT, GRIP | 1            | 1000114               |
| 019        | 90003-ZG0-003     | BOLT, REEL COVER    | 1            |                       |
| 019        | 90003-ZG0-003     | BOLT, REEL COVER    | 1            | 1000113               |
| 019        | 90003-ZG3-004     | BOLT, 6MM           | 1            | 1001381               |
| 019        | 90003-ZG3-004     | BOLT, 6MM           | 1            | 1000114               |
| 020        | 90011-ZG0-000     | BOLT, FLANGE, 6X8   | 4            |                       |
| 021        | 91501-ZG3-003     | COLLAR              | 1            |                       |
| 021        | 91501-ZG3-003     | COLLAR              | 1            | 1000113               |
| 021        | 91501-ZG3-004     | COLLAR              | 1            | 1001381               |
| 021        | 91501-ZG3-004     | COLLAR              | 1            | 1000114               |

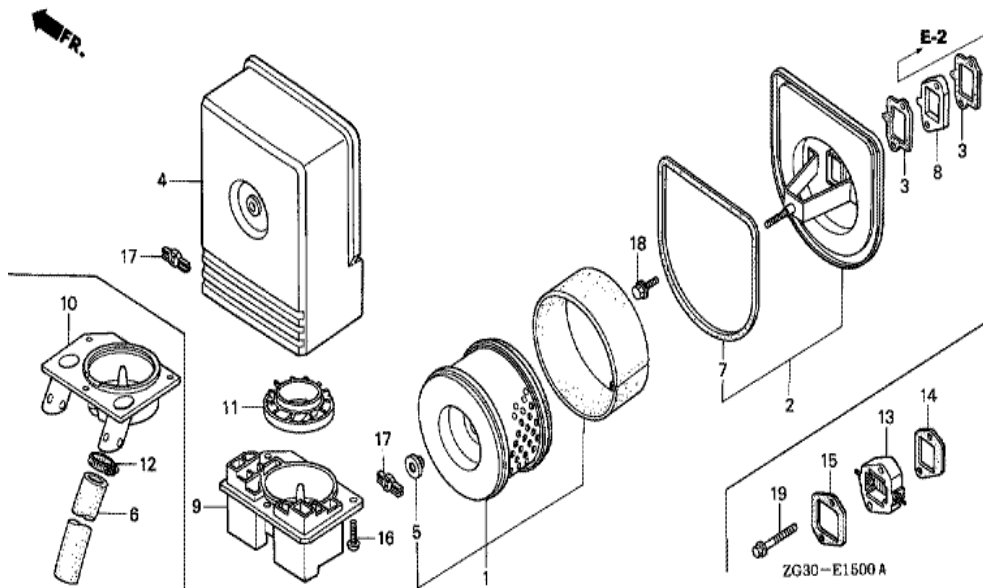
GD410(QAA)

E-12 FAN COVER (1)



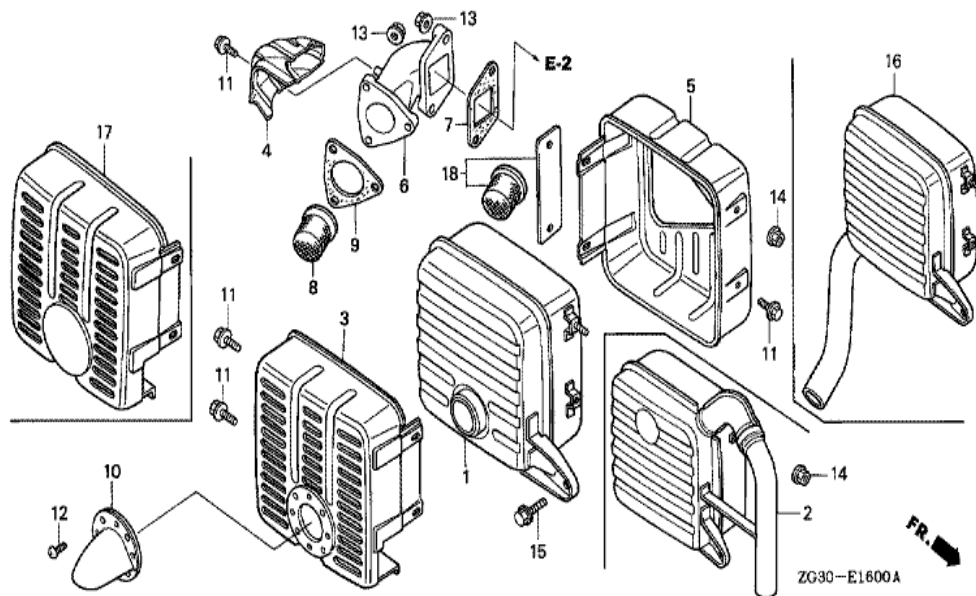
| Ref | Partnumber      | Description                | GD410 | Serial Numbers |
|-----|-----------------|----------------------------|-------|----------------|
| 002 | 19610-ZG3-000ZA | COVER COMP., FAN *NH116M * | 1     |                |
| 002 | 19610-ZG3-000ZA | COVER COMP., FAN *NH116M * | 1     | 1001068        |
| 006 | 19631-ZG3-000   | SHROUD (A)                 | 1     |                |
| 008 | 19632-ZG3-000   | SHROUD (B)                 | 1     |                |
| 019 | 95701-0601200   | BOLT, FLANGE, 6X12         | 2     |                |
| 019 | 95701-0601200   | BOLT, FLANGE, 6X12         | 4     |                |
| 020 | 95701-0601200   | BOLT, FLANGE, 6X12         | 7     |                |
| 020 | 95701-0601200   | BOLT, FLANGE, 6X12         | 7     |                |

|            |                  |
|------------|------------------|
| GD410(QAA) | E-15 AIR CLEANER |
|------------|------------------|



| <u>Ref</u> | <u>Partnumber</u> | <u>Description</u>                     | <u>GD410</u> | <u>Serial Numbers</u> |
|------------|-------------------|--|--------------|-----------------------|
| 001        | 17210-ZG3-801     | ELEMENT COMP., AIR CLEANER (WET)       | (1)          |                       |
| 001        | 17210-ZG3-801     | ELEMENT COMP., AIR CLEANER (WET)       | 1            |                       |
| 002        | 17220-ZG3-003     | CASE COMP., AIR CLEANER                | 1            |                       |
| 003        | 17228-ZG3-000     | PACKING, AIR CLEANER                   | 1            |                       |
| 003        | 17228-ZG3-000     | PACKING, AIR CLEANER                   | 1            | 1021266               |
| 003        | 17228-ZG3-800     | PACKING, AIR CLEANER (NON ASBESTOS)    | 1            | 1021267               |
| 003        | 17228-ZG3-800     | PACKING, AIR CLEANER (NON ASBESTOS)    | 1            | 1021267               |
| 004        | 17230-ZG3-000     | COVER COMP., AIR CLEANER               | 1            |                       |
| 005        | 17232-ZG3-003     | GROMMET, AIR CLEANER                   | 1            |                       |
| 007        | 17406-ZG3-000     | PACKING, AIR CLEANER CASE              | 1            |                       |
| 009        | 17471-ZG3-000     | CASE, PRE CLEANER                      | 1            |                       |
| 011        | 17476-ZG3-003     | GUIDE, PRE AIR CLEANER                 | 1            |                       |
| 016        | 90142-MB0-000     | SCREW, PAN, 5X16.5                     | 3            |                       |
| <u>Ref</u> | <u>Partnumber</u> | <u>Description</u>                     | <u>GD410</u> | <u>Serial Numbers</u> |
| 017        | 90203-PB2-000     | NUT, AIR CLEANER COVER (DACRO COATING) | 2            |                       |
| 018        | 95701-0802200     | BOLT, FLANGE, 8X22                     | 2            |                       |

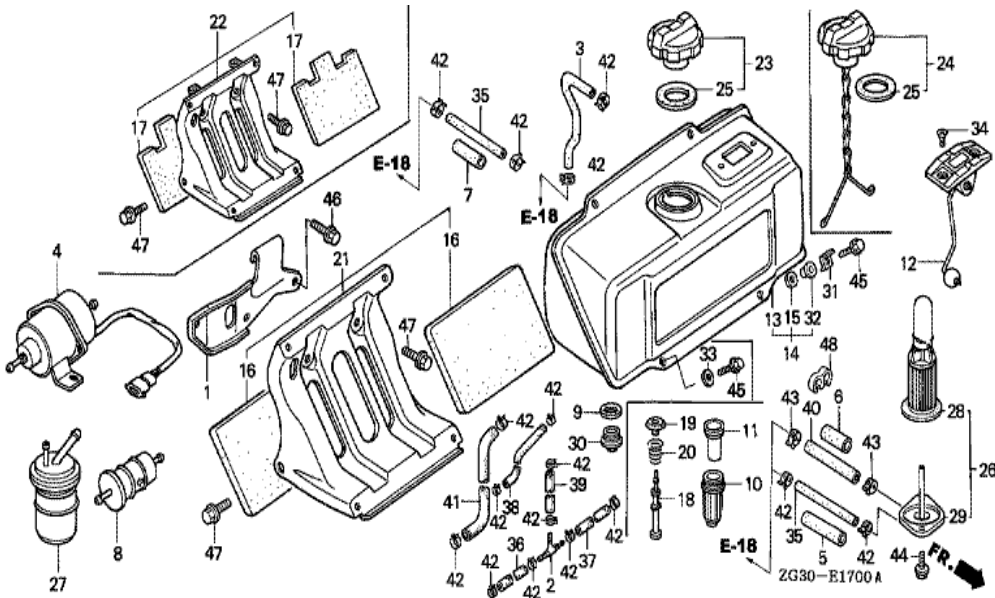
|            |                  |
|------------|------------------|
| GD410(QAA) | E-16 MUFFLER (1) |
|------------|------------------|



| <u>Ref</u> | <u>Partnumber</u> | <u>Description</u>              | <u>GD410</u> | <u>Serial Numbers</u> |
|------------|-------------------|---------------------------------|--------------|-----------------------|
| 001        | 18310-ZG3-003     | MUFFLER COMP.                   | 1            |                       |
| 003        | 18321-ZG3-003     | PROTECTOR A, MUFFLER            | 1            |                       |
| 004        | 18323-ZG3-800     | PROTECTOR, EX. PIPE             | 1            |                       |
| 005        | 18325-ZG3-003     | PROTECTOR B, MUFFLER            | 1            |                       |
| 006        | 18331-ZG3-000     | PIPE, EX.                       | 1            |                       |
| 006        | 18331-ZG3-000     | PIPE, EX.                       | 1            | 1009311               |
| 007        | 18333-ZG3-000     | GASKET, EX. PIPE                | 1            | 1019342               |
| 007        | 18333-ZG3-000     | GASKET, EX. PIPE                | 1            | 1019418               |
| 007        | 18333-ZG3-800     | GASKET, EX. PIPE (NON ASBESTOS) | 1            | 1019419               |
| 007        | 18333-ZG3-800     | GASKET, EX. PIPE (NON ASBESTOS) | 1            | 1019419               |
| 008        | 18355-ZG3-000     | ARRESTER, SPARK                 | 1            |                       |
| 009        | 18381-ZG3-000     | GASKET, MUFFLER                 | 1            | 1019353               |
| 009        | 18381-ZG3-000     | GASKET, MUFFLER                 | 1            | 1019418               |
| <u>Ref</u> | <u>Partnumber</u> | <u>Description</u>              | <u>GD410</u> | <u>Serial Numbers</u> |
| 009        | 18381-ZG3-800     | GASKET, MUFFLER (NON ASBESTOS)  | 1            | 1019419               |
| 009        | 18381-ZG3-800     | GASKET, MUFFLER (NON ASBESTOS)  | 1            | 1019419               |
| 010        | 18431-ZG3-800     | DEFLECTOR, MUFFLER              | (1)          |                       |
| 011        | 90002-ZG3-000     | BOLT, FLANGE, 5X8               | 3            |                       |
| 011        | 90002-ZG3-000     | BOLT, FLANGE, 5X8               | 5            |                       |
| 012        | 93500-050080B     | SCREW, PAN, 5X8                 | (4)          |                       |
| 013        | 94050-08000       | NUT, FLANGE, 8MM                | 5            |                       |
| 014        | 94050-08020       | NUT, FLANGE, 8MM                | 1            |                       |
| 015        | 95701-0802000     | BOLT, FLANGE, 8X20              | 1            |                       |

GD410(QAA)

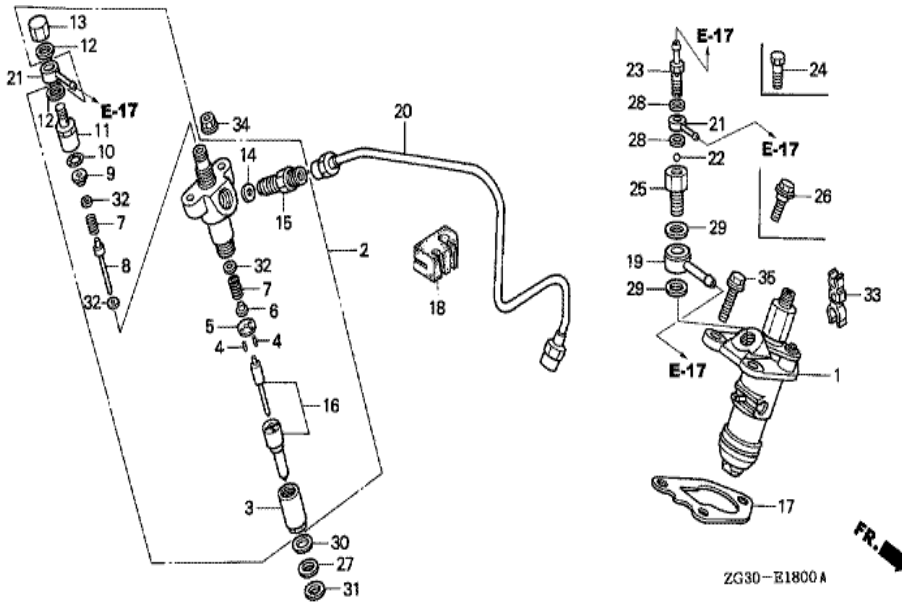
E-17 FUEL TANK (1)



| Ref | Partnumber      | Description                              | GD410 | Serial Numbers |
|-----|-----------------|--|-------|----------------|
| 001 | 11911-ZG3-000   | HANGER, ENGINE                           | 1     |                |
| 003 | 16346-ZG3-000   | TUBE, FUEL                               | 1     |                |
| 005 | 16854-ZG3-000   | RUBBER, SUPPORTER (9X48)                 | 1     |                |
| 006 | 16857-ZG3-000   | RUBBER, SUPPORTER (B)                    | 1     |                |
| 007 | 16858-ZG3-000   | RUBBER, SUPPORTER (9X30)                 | 1     |                |
| 009 | 16963-443-901   | GASKET                                   | 1     |                |
| 012 | 17505-ZG3-801   | GAUGE ASSY., FUEL                        | 1     |                |
| 013 | 17510-ZG3-800ZA | TANK COMP., FUEL (GAUGE) *R8 *           | (1)   |                |
| 013 | 17510-ZG3-800ZA | TANK COMP., FUEL (GAUGE) *R8 *           | 1     |                |
| 016 | 17535-ZG3-000   | SEAT, TANK STAY                          | 2     |                |
| 021 | 17560-ZG3-000   | STAY COMP., FUEL TANK                    | 1     |                |
| 023 | 17620-ZG3-003   | CAP COMP., FUEL FILLER                   | 1     |                |
| 025 | 17631-329-003   | PACKING, FUEL FILLER CAP (39X58X3)       | 1     |                |
| Ref | Partnumber      | Description                              | GD410 | Serial Numbers |
| 026 | 17670-ZG3-013   | FILTER ASSY., FUEL                       | 1     | 1004977        |
| 026 | 17670-ZG3-013   | FILTER ASSY., FUEL                       | 1     |                |
| 028 | 17682-ZG3-003   | STRAINER COMP.                           | 1     |                |
| 029 | 17687-ZG3-013   | BODY, STRAINER                           | 1     | 1004977        |
| 029 | 17687-ZG3-013   | BODY, STRAINER                           | 1     |                |
| 030 | 90021-ZG3-003   | BOLT, DRAIN                              | 1     |                |
| 031 | 90407-ZG3-010   | WASHER, SPECIAL, 6MM                     | 4     | 1004185        |
| 031 | 90407-ZG3-010   | WASHER, SPECIAL, 6MM                     | 4     |                |
| 034 | 93600-050100A   | SCREW, FLAT, 5X10                        | 2     |                |
| 035 | 95001-4510040   | TUBE, FUEL, 4.5X100 (95001-450 (95001-45 | 2     |                |
| 040 | 95001-8009540   | TUBE, FUEL, 8X95 (95001-80001- (95001-80 | 1     |                |
| 042 | 95002-4080008   | CLAMP, TUBE (D8)                         | 6     | 1000969        |
| 042 | 95002-4080008   | CLAMP, TUBE (D8)                         | 6     |                |
| 043 | 95002-4125008   | CLAMP, TUBE (D12.5)                      | 2     | 1000969        |
| 043 | 95002-4125008   | CLAMP, TUBE (D12.5)                      | 2     |                |
| 044 | 95701-0601200   | BOLT, FLANGE, 6X12                       | 2     |                |
| 045 | 95701-0601400   | BOLT, FLANGE, 6X14                       | 4     |                |
| 047 | 95701-0802200   | BOLT, FLANGE, 8X22                       | 4     |                |



|            |                          |
|------------|--------------------------|
| GD410(QAA) | E-18 FUEL INJECTION PUMP |
|------------|--------------------------|

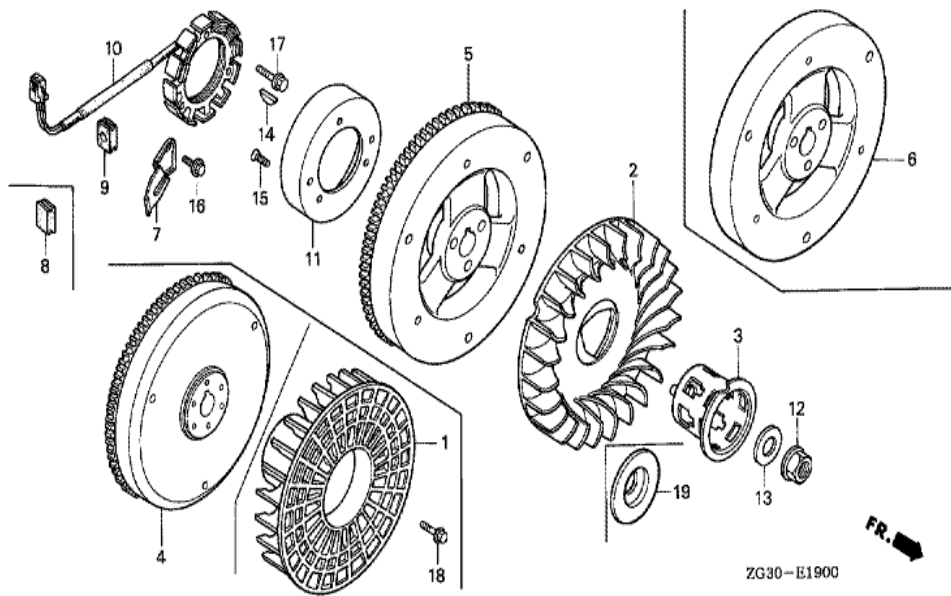


| Ref | Partnumber    | Description                | GD410 | Serial Numbers |
|-----|---------------|----------------------------|-------|----------------|
| 001 | 16300-ZG3-931 | PUMP ASSY., FUEL INJECTION | 1     | 1009311        |
| 001 | 16300-ZG3-931 | PUMP ASSY., FUEL INJECTION | 1     |                |
| 002 | 16410-ZG3-013 | NOZZLE & HOLDER ASSY.      | 1     |                |
| 003 | 16413-ZG3-003 | NUT, RETAINING             | 1     |                |
| 004 | 16414-ZG3-003 | PIN (1.78X9.3)             | 2     |                |
| 005 | 16415-ZG3-003 | SPACER                     | 1     |                |
| 006 | 16416-ZG3-003 | SEAT, SPRING (A)           | 1     |                |
| 007 | 16417-ZG3-003 | SPRING, NOZZLE             | 2     |                |
| 008 | 16418-ZG3-003 | ROD, PUSH                  | 1     |                |
| 009 | 16419-ZG3-003 | SEAT, SPRING (B)           | 1     |                |
| 010 | 16421-ZG3-003 | O-RING                     | 1     |                |
| 011 | 16422-ZG3-003 | NUT, CAP                   | 1     |                |
| 012 | 16423-ZG3-003 | GASKET A                   | 2     |                |

| <u>Ref</u> | <u>Partnumber</u> | <u>Description</u>                     | <u>GD410</u> | <u>Serial Numbers</u> |
|------------|-------------------|--|--------------|-----------------------|
| 013        | 16424-ZG3-003     | NUT                                    | 1            |                       |
| 014        | 16425-ZG3-003     | GASKET B                               | 1            |                       |
| 015        | 16426-ZG3-003     | CONNECTOR, IN.                         | 1            |                       |
| 016        | 16431-ZG3-003     | NOZZLE                                 | 1            |                       |
| 017        | 16441-ZG3-000     | GASKET, FUEL INJECTION PUMP (C) (0.2)  | 1            |                       |
| 017        | 16442-ZG3-000     | GASKET, FUEL INJECTION PUMP (D) (0.3)  | (1)          |                       |
| 017        | 16442-ZG3-000     | GASKET, FUEL INJECTION PUMP (D) (0.3)  | 1            |                       |
| 017        | 16443-ZG3-000     | GASKET, FUEL INJECTION PUMP (E) (0.4)  | (1)          |                       |
| 017        | 16443-ZG3-000     | GASKET, FUEL INJECTION PUMP (E) (0.4)  | 1            |                       |
| 017        | 16444-ZG3-000     | GASKET, FUEL INJECTION PUMP (A) (0.1)  | (1)          |                       |
| 017        | 16444-ZG3-000     | GASKET, FUEL INJECTION PUMP (A) (0.1)  | 1            |                       |
| 017        | 16445-ZG3-000     | GASKET, FUEL INJECTION PUMP (B) (0.15) | (1)          |                       |
| 017        | 16445-ZG3-000     | GASKET, FUEL INJECTION PUMP (B) (0.15) | 1            |                       |
| 017        | 16451-ZG3-000     | GASKET, FUEL INJECTION PUMP (F) (0.5)  | (1)          |                       |
| 017        | 16451-ZG3-000     | GASKET, FUEL INJECTION PUMP (F) (0.5)  | 1            |                       |
| 017        | 16452-ZG3-000     | GASKET, FUEL INJECTION PUMP (G) (0.6)  | (1)          |                       |
| 017        | 16452-ZG3-000     | GASKET, FUEL INJECTION PUMP (G) (0.6)  | 1            |                       |
| 018        | 16447-ZG3-000     | RUBBER, FUEL TUBE CLAMP                | 1            |                       |
| 019        | 16449-ZG3-000     | JOINT, FUEL                            | 1            |                       |
| 020        | 16455-ZG3-000     | PIPE, FUEL                             | 1            |                       |
| 021        | 16647-ZG3-000     | JOINT, AIR BREATHER (B)                | 2            |                       |
| 022        | 16648-ZG3-000     | BALL, CHECK                            | 1            |                       |
| 023        | 90025-ZG3-000     | BOLT, AIR BREATHER, 8X20               | 1            |                       |
| 025        | 90027-ZG3-000     | BOLT, FUEL JOINT, 12X25.5              | 1            |                       |
| 026        | 90161-744-000     | BOLT, ROTARY TRANSMISSION              | 2            |                       |
| 026        | 90161-744-000     | BOLT, ROTARY TRANSMISSION              | 2            | 1013492               |
| 027        | 90402-ZG3-880     | WASHER, PLAIN, 7MM                     | 1            |                       |
| 027        | 90402-ZG3-880     | WASHER, PLAIN, 7MM                     | 1            | 1011688               |
| 028        | 90403-ZG3-000     | WASHER, 8MM                            | 2            |                       |
| 029        | 90418-ZG3-000     | WASHER, FUEL JOINT                     | 2            |                       |
| 030        | 90451-ZG3-000     | GASKET A, NOZZLE (0.8)                 | 1            |                       |
| 030        | 90451-ZG3-000     | GASKET A, NOZZLE (0.8)                 | 1            | 1011688               |
| 030        | 90452-ZG3-000     | GASKET B, NOZZLE (1.0)                 | 1            | 1011688               |

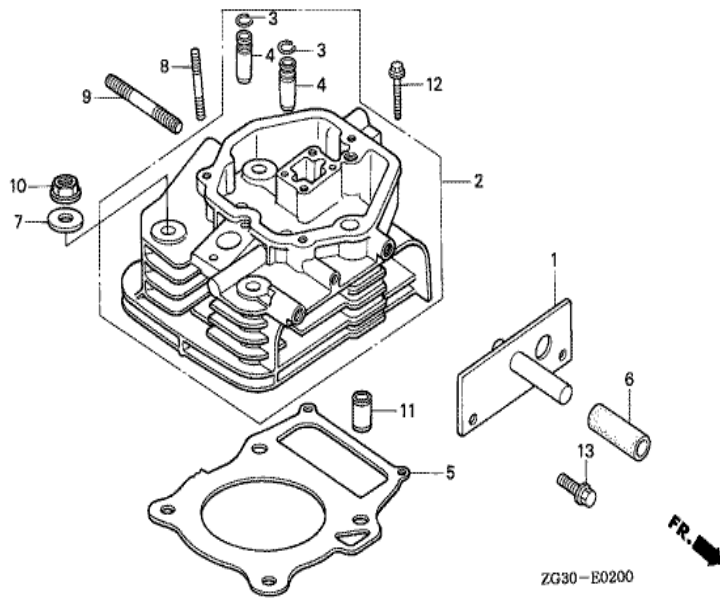
| <u>Ref</u> | <u>Partnumber</u> | <u>Description</u>     | <u>GD410</u> | <u>Serial Numbers</u> |
|------------|-------------------|------------------------|--------------|-----------------------|
| 030        | 90452-ZG3-000     | GASKET B, NOZZLE (1.0) | 1            | 1011688               |
| 030        | 90453-ZG3-000     | GASKET C, NOZZLE (1.2) | 1            |                       |
| 030        | 90453-ZG3-000     | GASKET C, NOZZLE (1.2) | 1            |                       |
| 030        | 90454-ZG3-000     | GASKET D, NOZZLE (1.4) | 1            | 1011688               |
| 030        | 90454-ZG3-000     | GASKET D, NOZZLE (1.4) | 1            | 1011688               |
| 031        | 90455-ZG3-880     | GASKET, SPECIAL, 7MM   | 1            |                       |
| 031        | 90455-ZG3-880     | GASKET, SPECIAL, 7MM   | 1            | 1011688               |
| 032        | 90460-ZG3-003     | SHIM A (0.50)          | N            |                       |
| 032        | 90461-ZG3-003     | SHIM B (0.51)          | N            |                       |
| 032        | 90461-ZG3-003     | SHIM B (0.51)          | N            |                       |
| 032        | 90462-ZG3-003     | SHIM C (0.52)          | N            |                       |
| 032        | 90462-ZG3-003     | SHIM C (0.52)          | N            |                       |
| 032        | 90463-ZG3-003     | SHIM D (0.53)          | N            |                       |
| 032        | 90463-ZG3-003     | SHIM D (0.53)          | N            |                       |
| 032        | 90464-ZG3-003     | SHIM E (0.54)          | N            |                       |
| 032        | 90464-ZG3-003     | SHIM E (0.54)          | N            |                       |
| 032        | 90465-ZG3-003     | SHIM F (0.55)          | N            |                       |
| 032        | 90465-ZG3-003     | SHIM F (0.55)          | N            |                       |
| 032        | 90466-ZG3-003     | SHIM G (0.56)          | N            |                       |
| 032        | 90466-ZG3-003     | SHIM G (0.56)          | N            |                       |
| 032        | 90467-ZG3-003     | SHIM H (0.57)          | N            |                       |
| 032        | 90467-ZG3-003     | SHIM H (0.57)          | N            |                       |
| 032        | 90468-ZG3-003     | SHIM I (0.58)          | N            |                       |
| 032        | 90468-ZG3-003     | SHIM I (0.58)          | N            |                       |
| 032        | 90469-ZG3-003     | SHIM J (0.59)          | N            |                       |
| 032        | 90469-ZG3-003     | SHIM J (0.59)          | N            |                       |
| 032        | 90470-ZG3-003     | SHIM K (0.60)          | N            |                       |
| 032        | 90470-ZG3-003     | SHIM K (0.60)          | N            |                       |
| 032        | 90471-ZG3-003     | SHIM L (0.70)          | N            |                       |
| 032        | 90471-ZG3-003     | SHIM L (0.70)          | N            |                       |
| 032        | 90472-ZG3-003     | SHIM M (0.80)          | N            |                       |
| 032        | 90472-ZG3-003     | SHIM M (0.80)          | N            |                       |
| 032        | 90473-ZG3-003     | SHIM N (0.90)          | N            |                       |
| <u>Ref</u> | <u>Partnumber</u> | <u>Description</u>     | <u>GD410</u> | <u>Serial Numbers</u> |
| 032        | 90473-ZG3-003     | SHIM N (0.90)          | N            |                       |
| 034        | 94050-06000       | NUT, FLANGE, 6MM       | 2            |                       |
| 035        | 95701-0802500     | BOLT, FLANGE, 8X25     | 1            |                       |
| 035        | 95701-0802500     | BOLT, FLANGE, 8X25     | 1            | 1013342               |
| 035        | 95701-0802500     | BOLT, FLANGE, 8X25     | 1            | 1013492               |
| 035        | 95701-0802500     | BOLT, FLANGE, 8X25     | 3            | 1013491               |

|            |               |
|------------|---------------|
| GD410(QAA) | E-19 FLYWHEEL |
|------------|---------------|



| Ref | Partnumber    | Description         | GD410 | Serial Numbers |
|-----|---------------|---------------------|-------|----------------|
| 002 | 19511-ZG3-000 | FAN, COOLING        | 1     |                |
| 003 | 28451-ZG3-004 | PULLEY, STARTER     | 1     |                |
| 003 | 28451-ZG3-004 | PULLEY, STARTER     | 1     |                |
| 006 | 31101-ZG3-000 | FLYWHEEL            | 1     |                |
| 008 | 31512-ZE8-000 | GROMMET, CORD       | 1     |                |
| 012 | 90201-ZG3-000 | NUT, FLANGE, 20MM   | 1     |                |
| 013 | 90401-ZG3-000 | WASHER, 20MM        | 1     |                |
| 014 | 90741-ZG3-000 | KEY, WOODRUFF, 50X7 | 1     |                |

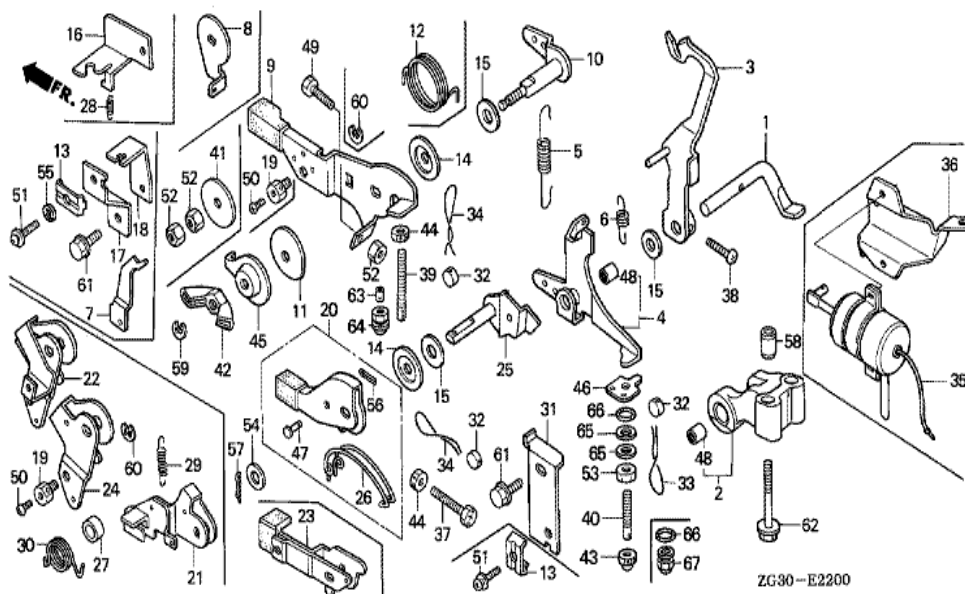
|            |                   |
|------------|-------------------|
| GD410(QAA) | E-2 CYLINDER HEAD |
|------------|-------------------|



| <u>Ref</u> | <u>Partnumber</u> | <u>Description</u>              | <u>GD410</u> | <u>Serial Numbers</u> |
|------------|-------------------|---------------------------------|--------------|-----------------------|
| 002        | 12200-ZG3-010     | HEAD COMP., CYLINDER            | 1            |                       |
| 002        | 12200-ZG3-010     | HEAD COMP., CYLINDER            | 1            | 1009285               |
| 003        | 12216-ZE2-300     | CLIP, VALVE GUIDE               | 2            |                       |
| 004        | 12218-ZG3-003     | GUIDE, VALVE (O.S.)             | (2)          |                       |
| 005        | 12251-ZG3-000     | GASKET, CYLINDER HEAD (A) (1.1) | 1            |                       |
| 005        | 12252-ZG3-000     | GASKET, CYLINDER HEAD (B) (1.2) | (1)          |                       |
| 005        | 12252-ZG3-000     | GASKET, CYLINDER HEAD (B) (1.2) | 1            |                       |
| 005        | 12253-ZG3-000     | GASKET, CYLINDER HEAD (C) (1.3) | (1)          |                       |
| 005        | 12253-ZG3-000     | GASKET, CYLINDER HEAD (C) (1.3) | 1            |                       |
| 007        | 90404-ZG3-000     | WASHER, 10MM                    | 4            |                       |
| 008        | 92900-060323B     | BOLT, STUD, 6X32                | 2            |                       |
| 009        | 92900-080280B     | BOLT, STUD, 8X28                | 2            |                       |
| 009        | 92900-080280B     | BOLT, STUD, 8X28                | 2            |                       |
| <u>Ref</u> | <u>Partnumber</u> | <u>Description</u>              | <u>GD410</u> | <u>Serial Numbers</u> |
| 010        | 94050-10000       | NUT, FLANGE, 10MM               | 4            |                       |
| 011        | 94301-12200       | DOWEL PIN, 12X20                | 2            |                       |
| 012        | 95701-0602800     | BOLT, FLANGE, 6X28              | 2            |                       |

GD410(QAA)

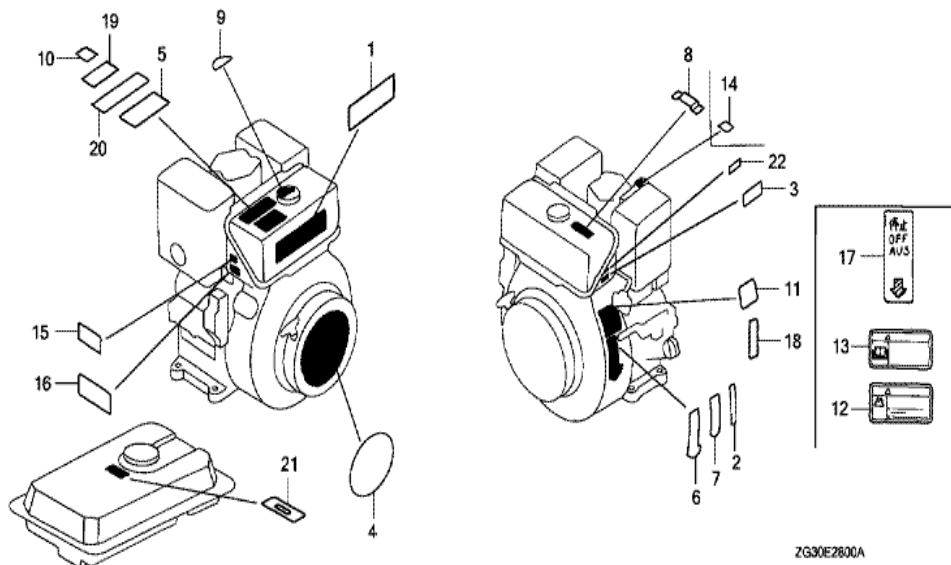
E-22 CONTROL LEVER



| Ref | Partnumber    | Description             | GD410 | Serial Numbers |
|-----|---------------|-------------------------|-------|----------------|
| 001 | 16541-ZG3-000 | SHAFT, GOVERNOR ARM     | 1     |                |
| 002 | 16544-ZG3-000 | STAY, GOVERNOR SHAFT    | 1     |                |
| 003 | 16550-ZG3-000 | ARM COMP., GOVERNOR     | 1     |                |
| 004 | 16558-ZG3-010 | ARM COMP., SUB GOVERNOR | 1     |                |
| 005 | 16561-ZG3-000 | SPRING, GOVERNOR        | 1     |                |
| 006 | 16563-ZG3-000 | SPRING, IDLE            | 1     |                |
| 006 | 16563-ZG3-000 | SPRING, IDLE            | 1     | 1019418        |
| 006 | 16563-ZG3-010 | SPRING, IDLE            | 1     | 1019419        |
| 006 | 16563-ZG3-010 | SPRING, IDLE            | 1     | 1019419        |
| 009 | 16571-ZG3-010 | LEVER, CONTROL          | 1     | 1006023        |
| 009 | 16571-ZG3-010 | LEVER, CONTROL          | 1     |                |
| 010 | 16572-ZG3-000 | SHAFT, CONTROL LEVER    | 1     |                |
| 011 | 16574-ZG3-000 | SPRING, LEVER           | 1     |                |

| <u>Ref</u> | <u>Partnumber</u> | <u>Description</u>              | <u>GD410</u> | <u>Serial Numbers</u> |
|------------|-------------------|---------------------------------|--------------|-----------------------|
| 014        | 16577-ZG3-000     | SPACER, CONTROL LEVER (A)       | 1            |                       |
| 014        | 16577-ZG3-000     | SPACER, CONTROL LEVER (A)       | 2            |                       |
| 015        | 16578-ZG3-000     | SPACER, CONTROL LEVER (B)       | 1            |                       |
| 015        | 16578-ZG3-000     | SPACER, CONTROL LEVER (B)       | 3            |                       |
| 020        | 16630-ZG3-000     | LEVER COMP., STOP               | 1            |                       |
| 025        | 16632-ZG3-000     | SHAFT, STOP LEVER               | 1            |                       |
| 026        | 16633-ZG3-300     | SPRING, STOP LEVER              | 1            |                       |
| 031        | 16645-ZG3-000     | HOLDER COMP., STOP CABLE        | 1            |                       |
| 032        | 16727-705-000     | END, LOCK                       | (N)          |                       |
| 032        | 16727-705-000     | END, LOCK                       | 3            |                       |
| 033        | 16728-ZG3-000     | WIRE, LOCK (A)                  | 1            |                       |
| 034        | 16729-ZG3-000     | WIRE, LOCK (B)                  | (N)          |                       |
| 034        | 16729-ZG3-000     | WIRE, LOCK (B)                  | 2            |                       |
| 037        | 90007-ZG3-000     | BOLT, RECESSED, 6X32            | 1            |                       |
| 038        | 90010-ZG3-000     | SCREW, PAN, 3X18                | 1            |                       |
| 039        | 90045-ZG3-000     | BOLT, CONTROL ADJUSTING         | 1            |                       |
| 040        | 90102-ZG3-000     | BOLT, ADJUSTING                 | 1            |                       |
| 042        | 90203-679-000     | NUT, PLUG COVER                 | 1            |                       |
| 044        | 90206-ZG3-000     | NUT, HEX., 6MM                  | 1            |                       |
| 044        | 90206-ZG3-000     | NUT, HEX., 6MM                  | 2            |                       |
| 045        | 90405-ZG3-000     | WASHER, 6X30                    | 1            |                       |
| 046        | 90426-ZG3-000     | WASHER, SEALING                 | 1            |                       |
| 047        | 90751-ZG3-300     | PIN, CENTER, 4X16.5             | 1            |                       |
| 048        | 91024-KG4-004     | BEARING, NEEDLE, 8X12X10 (TOYO) | 2            |                       |
| 049        | 92301-060200A     | BOLT, RECESSED, 6X20            | 1            |                       |
| 052        | 94001-060000S     | NUT, HEX., 6MM                  | 1            |                       |
| 053        | 94001-062800S     | NUT, HEX., 6MM                  | 1            |                       |
| 054        | 94102-08000       | WASHER, PLAIN, 8MM              | 1            |                       |
| 056        | 94201-16080       | PIN, SPLIT, 1.6                 | 1            |                       |
| 057        | 94201-25150       | PIN, SPLIT, 2.5X15              | 1            |                       |
| 058        | 94301-08140       | DOWEL PIN, 8X14                 | 2            |                       |
| 059        | 94540-03010       | E-RING, 3MM                     | 1            |                       |
| 061        | 95701-0601600     | BOLT, FLANGE, 6X16              | 1            |                       |
| <u>Ref</u> | <u>Partnumber</u> | <u>Description</u>              | <u>GD410</u> | <u>Serial Numbers</u> |
| 062        | 95701-0604009     | BOLT, FLANGE, 6X40              | 2            |                       |

|            |             |
|------------|-------------|
| GD410(QAA) | E-28 LABELS |
|------------|-------------|



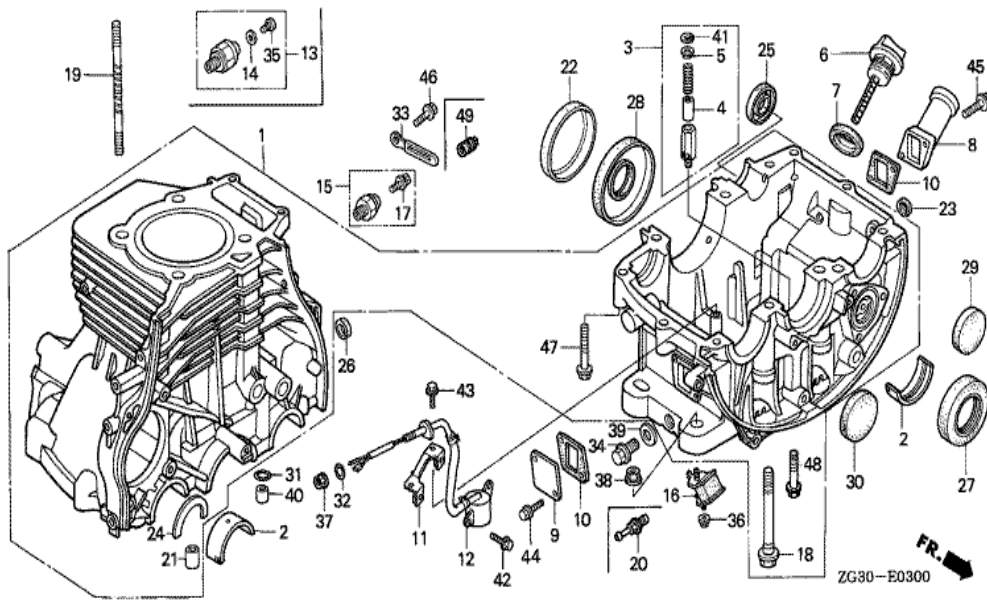
ZG30E2800A

| Ref | Partnumber    | Description                              | GD410 | Serial Numbers |
|-----|---------------|--|-------|----------------|
| 001 | 87101-ZG3-000 | EMBLEM (GD410)                           | 1     |                |
| 005 | 87522-ZG3-800 | LABEL, CAUTION (ENGLISH) (FRENCH) (GERMA | 1     |                |
| 005 | 87522-ZG3-800 | LABEL, CAUTION (ENGLISH) (FRENCH) (GERMA | 1     |                |
| 006 | 87532-ZG3-800 | MARK, THROTTLE (ENGLISH)                 | (1)   |                |
| 006 | 87532-ZG3-800 | MARK, THROTTLE (ENGLISH)                 | 1     |                |
| 008 | 87565-ZG3-810 | MARK, FUEL (EXTERNAL)                    | (1)   |                |
| 008 | 87565-ZG3-810 | MARK, FUEL (EXTERNAL)                    | 1     |                |
| 009 | 87592-ZG3-800 | MARK, USE FUEL (ENGLISH)                 | 1     | 1000114        |
| 009 | 87592-ZG3-800 | MARK, USE FUEL (ENGLISH)                 | 1     |                |
| 011 | 87594-ZG3-800 | MARK, OIL CAUTION (ENGLISH)              | (1)   |                |
| 011 | 87594-ZG3-800 | MARK, OIL CAUTION (ENGLISH)              | 1     |                |



GD410(QAA)

E-3 CYLINDER BARREL

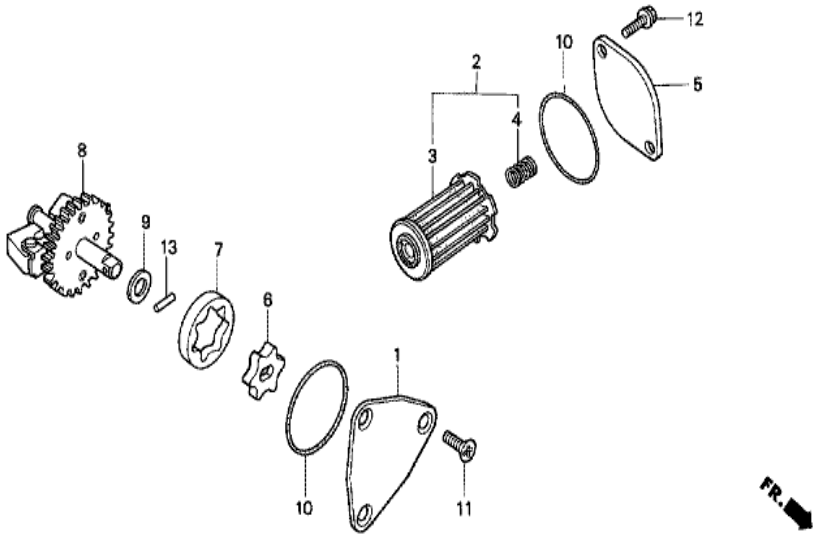


| Ref | Partnumber    | Description              | GD410 | Serial Numbers |
|-----|---------------|--------------------------|-------|----------------|
| 001 | 12000-ZG3-600 | BARREL ASSY., CYLINDER   | 1     |                |
| 001 | 12000-ZG3-600 | BARREL ASSY., CYLINDER   | 1     |                |
| 002 | 13321-ZG3-003 | BEARING A, MAIN (BLUE)   | 2     |                |
| 002 | 13322-ZG3-003 | BEARING B, MAIN (BLACK)  | 2     |                |
| 002 | 13322-ZG3-003 | BEARING B, MAIN (BLACK)  | 2     |                |
| 002 | 13323-ZG3-003 | BEARING C, MAIN (BROWN)  | 2     |                |
| 002 | 13323-ZG3-003 | BEARING C, MAIN (BROWN)  | 2     |                |
| 002 | 13324-ZG3-003 | BEARING D, MAIN (GREEN)  | 2     |                |
| 002 | 13324-ZG3-003 | BEARING D, MAIN (GREEN)  | 2     |                |
| 002 | 13325-ZG3-003 | BEARING E, MAIN (YELLOW) | 2     |                |
| 002 | 13325-ZG3-003 | BEARING E, MAIN (YELLOW) | 2     |                |
| 002 | 13326-ZG3-003 | BEARING F, MAIN (PINK)   | 2     |                |
| 002 | 13326-ZG3-003 | BEARING F, MAIN (PINK)   | 2     |                |

| <u>Ref</u> | <u>Partnumber</u> | <u>Description</u>                       | <u>GD410</u> | <u>Serial Numbers</u> |
|------------|-------------------|--|--------------|-----------------------|
| 002        | 13327-ZG3-003     | BEARING G, MAIN (RED)                    | 2            |                       |
| 002        | 13327-ZG3-003     | BEARING G, MAIN (RED)                    | 2            |                       |
| 002        | 13332-ZG3-000     | BEARING A, MAIN (UNDER SIZE 0.25) (BLACK | (2)          |                       |
| 002        | 13332-ZG3-000     | BEARING A, MAIN (UNDER SIZE 0.25) (BLACK | (2)          |                       |
| 002        | 13333-ZG3-000     | BEARING B, MAIN (UNDER SIZE 0.25) (BROWN | (2)          |                       |
| 002        | 13333-ZG3-000     | BEARING B, MAIN (UNDER SIZE 0.25) (BROWN | (2)          |                       |
| 002        | 13334-ZG3-000     | BEARING C, MAIN (UNDER SIZE 0.25) (GREEN | (2)          |                       |
| 002        | 13334-ZG3-000     | BEARING C, MAIN (UNDER SIZE 0.25) (GREEN | (2)          |                       |
| 002        | 13336-ZG3-000     | BEARING A, MAIN (UNDER SIZE 0.50) (BLACK | (2)          |                       |
| 002        | 13336-ZG3-000     | BEARING A, MAIN (UNDER SIZE 0.50) (BLACK | (2)          |                       |
| 002        | 13337-ZG3-000     | BEARING B, MAIN (UNDER SIZE 0.50) (BROWN | (2)          |                       |
| 002        | 13337-ZG3-000     | BEARING B, MAIN (UNDER SIZE 0.50) (BROWN | (2)          |                       |
| 002        | 13338-ZG3-000     | BEARING C, MAIN (UNDER SIZE 0.50) (GREEN | (2)          |                       |
| 002        | 13338-ZG3-000     | BEARING C, MAIN (UNDER SIZE 0.50) (GREEN | (2)          |                       |
| 002        | 13342-ZG3-000     | BEARING A, MAIN (UNDER SIZE 0.75) (BLACK | (2)          |                       |
| 002        | 13342-ZG3-000     | BEARING A, MAIN (UNDER SIZE 0.75) (BLACK | (2)          |                       |
| 002        | 13343-ZG3-000     | BEARING B, MAIN (UNDER SIZE 0.75) (BROWN | (2)          |                       |
| 002        | 13343-ZG3-000     | BEARING B, MAIN (UNDER SIZE 0.75) (BROWN | (2)          |                       |
| 002        | 13344-ZG3-000     | BEARING C, MAIN (UNDER SIZE 0.75) (GREEN | (2)          |                       |
| 002        | 13344-ZG3-000     | BEARING C, MAIN (UNDER SIZE 0.75) (GREEN | (2)          |                       |
| 003        | 15220-413-020     | VALVE ASSY., RELIEF                      | 1            |                       |
| 004        | 15231-413-020     | VALVE, RELIEF                            | 1            |                       |
| 005        | 15233-413-000     | SEAT, RELIEF VALVE                       | 1            |                       |
| 006        | 15620-ZG3-000     | CAP, OIL FILLER                          | 1            |                       |
| 007        | 15625-750-800     | PACKING, OIL FILLER CAP                  | 1            |                       |
| 007        | 15625-750-800     | PACKING, OIL FILLER CAP                  | 1            | 1009447               |
| 007        | 15625-ZE8-000     | PACKING, OIL FILLER CAP                  | 1            | 1003034               |
| 007        | 15625-ZE8-000     | PACKING, OIL FILLER CAP                  | 1            | 1009448               |
| 008        | 15631-ZG3-000     | EXTENSION, OIL FILLER                    | 1            |                       |
| 009        | 15634-ZG3-000     | PLATE, EXTENSION                         | 1            |                       |
| 010        | 15635-ZG3-000     | PACKING, EXTENSION OIL FILLER            | 2            |                       |
| 010        | 15635-ZG3-000     | PACKING, EXTENSION OIL FILLER            | 2            | 1021266               |
| 010        | 15635-ZG3-800     | PACKING, EXTENSION OIL FILLER (NON ASBES | 2            | 1021267               |

| <u>Ref</u> | <u>Partnumber</u> | <u>Description</u>                       | <u>GD410</u> | <u>Serial Numbers</u> |
|------------|-------------------|--|--------------|-----------------------|
| 010        | 15635-ZG3-800     | PACKING, EXTENSION OIL FILLER (NON ASBES | 2            | 1021267               |
| 018        | 90005-ZG3-003     | BOLT-WASHER, 11X115                      | 4            |                       |
| 019        | 90020-ZG3-003     | BOLT, STUD, 10X103.5                     | 4            |                       |
| 021        | 90715-PC6-000     | DOWEL PIN, 13X20                         | 3            |                       |
| 023        | 91201-ZE9-003     | OIL SEAL, 8X14X5                         | 1            |                       |
| 023        | 91201-ZE9-003     | OIL SEAL, 8X14X5                         | 1            |                       |
| 026        | 91201-ZE9-003     | OIL SEAL, 8X14X5                         | 1            |                       |
| 027        | 91201-ZG3-003     | OIL SEAL, 40X67X10                       | 1            |                       |
| 028        | 91202-ZG3-003     | OIL SEAL, 36X90X9                        | 1            |                       |
| 029        | 91204-ZG3-003     | PLUG, SEALING, 47MM                      | (1)          | 1008802               |
| 030        | 91205-ZG3-000     | PLUG, SEALING, 52MM                      | 1            |                       |
| 031        | 91301-812-000     | O-RING, 10MM                             | 1            |                       |
| 034        | 92800-14000       | BOLT, DRAIN PLUG, 14MM                   | 1            |                       |
| 039        | 94109-14000       | WASHER, DRAIN PLUG, 14MM                 | 1            |                       |
| 040        | 94301-10160       | DOWEL PIN, 10X16                         | 1            |                       |
| 041        | 94520-12000       | CIRCLIP, INTERNAL, 12MM                  | 1            |                       |
| 044        | 95701-0601600     | BOLT, FLANGE, 6X16                       | 2            |                       |
| 045        | 95701-0602200     | BOLT, FLANGE, 6X22                       | 2            |                       |
| 047        | 95701-0804000     | BOLT, FLANGE, 8X40                       | 6            |                       |
| 047        | 95701-0804000     | BOLT, FLANGE, 8X40                       | 6            | 1000906               |
| 048        | 95701-0805000     | BOLT, FLANGE, 8X50                       | 1            |                       |

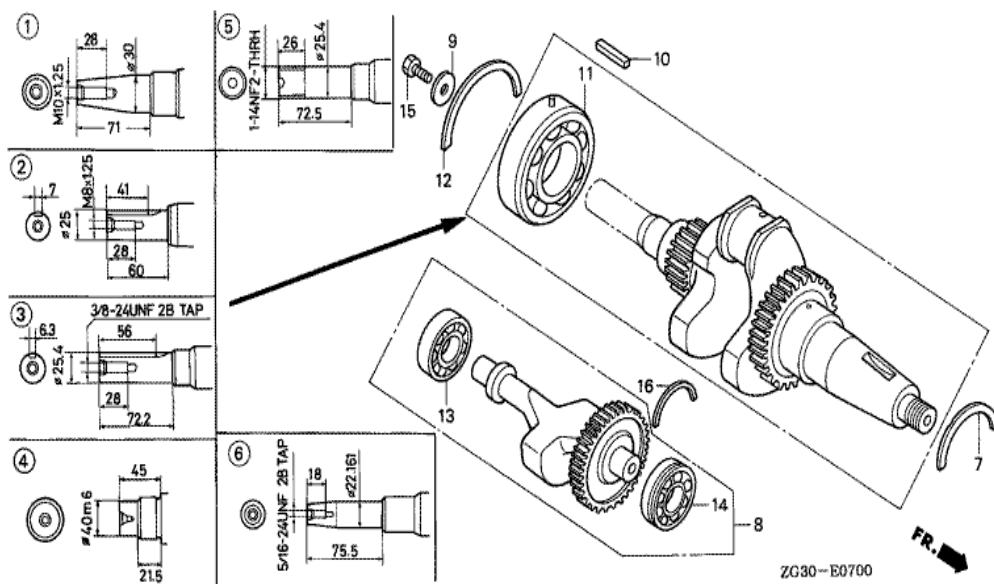
|            |              |
|------------|--------------|
| GD410(QAA) | E-5 OIL PUMP |
|------------|--------------|



ZG30-E0500

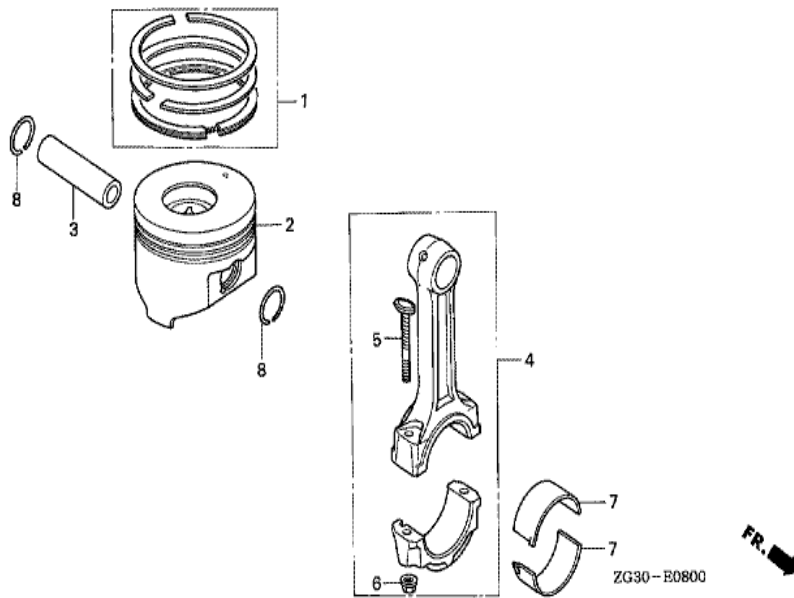
| <u>Ref</u> | <u>Partnumber</u> | <u>Description</u>     | <u>GD410</u> | <u>Serial Numbers</u> |
|------------|-------------------|------------------------|--------------|-----------------------|
| 001        | 15121-ZG3-000     | COVER, OIL PUMP        | 1            |                       |
| 002        | 15220-ZG3-000     | STRAINER COMP., OIL    | 1            |                       |
| 002        | 15220-ZG3-000     | STRAINER COMP., OIL    | 1            | 1013492               |
| 003        | 15221-ZG3-000     | STRAINER, OIL          | 1            |                       |
| 003        | 15221-ZG3-000     | STRAINER, OIL          | 1            | 1013491               |
| 004        | 15223-ZG3-000     | SPRING, OIL STRAINER   | 1            |                       |
| 004        | 15223-ZG3-000     | SPRING, OIL STRAINER   | 1            | 1013491               |
| 004        | 15223-ZG3-300     | SPRING, OIL STRAINER   | 1            | 1013492               |
| 004        | 15223-ZG3-300     | SPRING, OIL STRAINER   | 1            | 1013492               |
| 005        | 15224-ZG3-000     | COVER, OIL STRAINER    | 1            |                       |
| 006        | 15331-ZG3-013     | ROTOR, OIL PUMP INNER  | 1            |                       |
| 007        | 15341-ZG3-003     | ROTOR, OIL PUMP OUTER  | 1            |                       |
| 008        | 16510-ZG3-010     | WEIGHT COMP., GOVERNOR | 1            |                       |
| <u>Ref</u> | <u>Partnumber</u> | <u>Description</u>     | <u>GD410</u> | <u>Serial Numbers</u> |
| 009        | 90443-ZG3-000     | WASHER, 15.5MM         | 1            |                       |
| 010        | 91301-ZG3-000     | O-RING, 42.2X2.4       | 2            |                       |
| 011        | 90011-ZG3-000     | SCREW, FLAT, 6X16      | 3            |                       |
| 011        | 90011-ZG3-000     | SCREW, FLAT, 6X16      | 3            | 1000113               |
| 012        | 95701-0601600     | BOLT, FLANGE, 6X16     | 2            |                       |
| 013        | 96220-30134       | ROLLER, 3X13.4         | 1            |                       |

|            |                |
|------------|----------------|
| GD410(QAA) | E-7 CRANKSHAFT |
|------------|----------------|



| Ref | Partnumber    | Description                           | GD410 | Serial Numbers |
|-----|---------------|---------------------------------------|-------|----------------|
| 003 | 13310-ZG3-600 | CRANKSHAFT COMP.                      | 1     |                |
| 007 | 13316-ZG3-003 | BEARING, CRANKSHAFT THRUST (A) (BLUE) | 1     |                |
| 008 | 13350-ZG3-000 | WEIGHT COMP., BALANCER                | 1     |                |
| 010 | 90745-ZE2-600 | KEY, 6.3X6.3X43                       | (1)   |                |
| 010 | 90745-ZE2-600 | KEY, 6.3X6.3X43                       | 1     |                |
| 011 | 91001-ZG3-003 | BEARING, SPECIAL, 6308 (NTN)          | 1     |                |
| 012 | 91003-ZG3-000 | SET RING, 90MM                        | 1     |                |
| 013 | 91007-ZG3-000 | BEARING, SPECIAL BALL, 6304 (B)       | 1     |                |
| 014 | 91008-ZG3-000 | BEARING, SPECIAL BALL, 6304 (C)       | 1     |                |
| 016 | 95015-25200   | SET RING, 520                         | 1     |                |

|            |            |
|------------|------------|
| GD410(QAA) | E-8 PISTON |
|------------|------------|

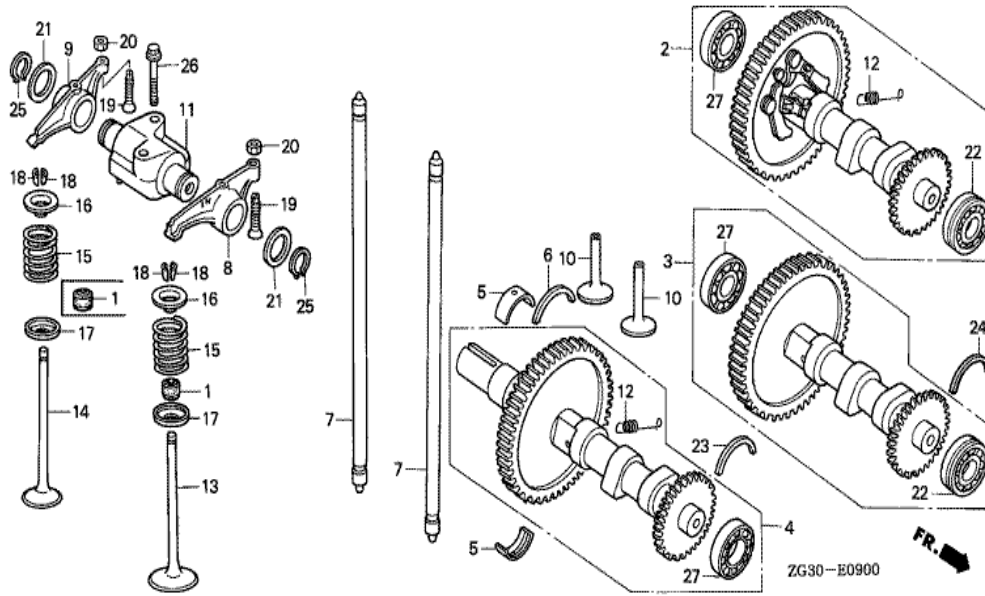


| Ref | Partnumber    | Description             | GD410 | Serial Numbers |
|-----|---------------|-------------------------|-------|----------------|
| 001 | 13010-ZG3-000 | RING SET, PISTON (STD.) | 1     |                |
| 001 | 13011-ZG3-000 | RING SET, PISTON (0.25) | (1)   | 1005562        |
| 001 | 13011-ZG3-000 | RING SET, PISTON (0.25) | (1)   |                |
| 001 | 13012-ZG3-000 | RING SET, PISTON (0.50) | (1)   | 1005562        |
| 001 | 13012-ZG3-000 | RING SET, PISTON (0.50) | (1)   |                |
| 001 | 13013-ZG3-000 | RING SET, PISTON (0.75) | (1)   | 1005562        |
| 001 | 13013-ZG3-000 | RING SET, PISTON (0.75) | (1)   |                |
| 002 | 13101-ZG3-930 | PISTON (STD.)           | 1     |                |
| 002 | 13101-ZG3-930 | PISTON (STD.)           | 1     |                |
| 002 | 13104-ZG3-000 | PISTON (0.25)           | (1)   |                |
| 002 | 13104-ZG3-000 | PISTON (0.25)           | (1)   |                |
| 002 | 13105-ZG3-000 | PISTON (0.50)           | (1)   |                |
| 002 | 13105-ZG3-000 | PISTON (0.50)           | (1)   |                |

| <u>Ref</u> | <u>Partnumber</u> | <u>Description</u>                       | <u>GD410</u> | <u>Serial Numbers</u> |
|------------|-------------------|--|--------------|-----------------------|
| 002        | 13106-ZG3-000     | PISTON (0.75)                            | (1)          |                       |
| 002        | 13106-ZG3-000     | PISTON (0.75)                            | (1)          |                       |
| 003        | 13111-ZG3-000     | PIN, PISTON                              | 1            |                       |
| 004        | 13200-ZG3-000     | ROD ASSY., CONNECTING                    | 1            |                       |
| 005        | 13204-ZG3-003     | BOLT, CONNECTING ROD, 8X51               | 2            |                       |
| 006        | 13205-ZG3-003     | NUT, CONNECTING ROD                      | 2            |                       |
| 007        | 13211-ZG3-003     | BEARING, CONNECTING ROD (A) (BLUE)       | 2            |                       |
| 007        | 13212-ZG3-003     | BEARING, CONNECTING ROD (B) (BLACK)      | 2            |                       |
| 007        | 13212-ZG3-003     | BEARING, CONNECTING ROD (B) (BLACK)      | 2            |                       |
| 007        | 13213-ZG3-003     | BEARING, CONNECTING ROD (C) (BROWN)      | 2            |                       |
| 007        | 13213-ZG3-003     | BEARING, CONNECTING ROD (C) (BROWN)      | 2            |                       |
| 007        | 13214-ZG3-003     | BEARING, CONNECTING ROD (D) (GREEN)      | 2            |                       |
| 007        | 13214-ZG3-003     | BEARING, CONNECTING ROD (D) (GREEN)      | 2            |                       |
| 007        | 13215-ZG3-003     | BEARING, CONNECTING ROD (E) (YELLOW)     | 2            |                       |
| 007        | 13215-ZG3-003     | BEARING, CONNECTING ROD (E) (YELLOW)     | 2            |                       |
| 007        | 13216-ZG3-003     | BEARING, CONNECTING ROD (F) (PINK)       | 2            |                       |
| 007        | 13216-ZG3-003     | BEARING, CONNECTING ROD (F) (PINK)       | 2            |                       |
| 007        | 13217-ZG3-003     | BEARING, CONNECTING ROD (G) (RED)        | 2            |                       |
| 007        | 13217-ZG3-003     | BEARING, CONNECTING ROD (G) (RED)        | 2            |                       |
| 007        | 13232-ZG3-000     | BEARING A, CONNECTING ROD (UNDER SIZE 0. | (2)          |                       |
| 007        | 13232-ZG3-000     | BEARING A, CONNECTING ROD (UNDER SIZE 0. | (2)          |                       |
| 007        | 13233-ZG3-000     | BEARING B, CONNECTING ROD (UNDER SIZE 0. | (2)          |                       |
| 007        | 13233-ZG3-000     | BEARING B, CONNECTING ROD (UNDER SIZE 0. | (2)          |                       |
| 007        | 13234-ZG3-000     | BEARING C, CONNECTING ROD (UNDER SIZE 0. | (2)          |                       |
| 007        | 13234-ZG3-000     | BEARING C, CONNECTING ROD (UNDER SIZE 0. | (2)          |                       |
| 007        | 13236-ZG3-000     | BEARING A, CONNECTING ROD (UNDER SIZE 0. | (2)          |                       |
| 007        | 13236-ZG3-000     | BEARING A, CONNECTING ROD (UNDER SIZE 0. | (2)          |                       |
| 007        | 13237-ZG3-000     | BEARING B, CONNECTING ROD (UNDER SIZE 0. | (2)          |                       |
| 007        | 13237-ZG3-000     | BEARING B, CONNECTING ROD (UNDER SIZE 0. | (2)          |                       |
| 007        | 13238-ZG3-000     | BEARING C, CONNECTING ROD (UNDER SIZE 0. | (2)          |                       |
| 007        | 13238-ZG3-000     | BEARING C, CONNECTING ROD (UNDER SIZE 0. | (2)          |                       |
| 007        | 13242-ZG3-000     | BEARING A, CONNECTING ROD (UNDER SIZE 0. | (2)          |                       |
| 007        | 13242-ZG3-000     | BEARING A, CONNECTING ROD (UNDER SIZE 0. | (2)          |                       |
| <u>Ref</u> | <u>Partnumber</u> | <u>Description</u>                       | <u>GD410</u> | <u>Serial Numbers</u> |
| 007        | 13243-ZG3-000     | BEARING B, CONNECTING ROD (UNDER SIZE 0. | (2)          |                       |
| 007        | 13243-ZG3-000     | BEARING B, CONNECTING ROD (UNDER SIZE 0. | (2)          |                       |
| 007        | 13244-ZG3-000     | BEARING C, CONNECTING ROD (UNDER SIZE 0. | (2)          |                       |
| 007        | 13244-ZG3-000     | BEARING C, CONNECTING ROD (UNDER SIZE 0. | (2)          |                       |
| 008        | 90601-ZG3-000     | CLIP, PISTON PIN                         | 2            |                       |

GD410(QAA)

E-9 CAMSHAFT



| Ref        | Partnumber        | Description                           | GD410        | Serial Numbers        |
|------------|-------------------|---------------------------------------|--------------|-----------------------|
| 001        | 12210-PD2-003     | SEAL A, VALVE STEM (ARAI)             | 1            |                       |
| 001        | 12210-PD2-003     | SEAL A, VALVE STEM (ARAI)             | 1            | 1006781               |
| 002        | 14100-ZG3-930     | CAMSHAFT ASSY. (USA)                  | 1            | 1009311 1019528       |
| 002        | 14100-ZG3-930     | CAMSHAFT ASSY. (USA)                  | 1            | 1019528               |
| 002        | 14100-ZG3-931     | CAMSHAFT ASSY. (USA)                  | 1            | 1019529               |
| 002        | 14100-ZG3-931     | CAMSHAFT ASSY. (USA)                  | 1            | 1019529               |
| 007        | 14410-ZG3-000     | ROD, PUSH                             | 2            |                       |
| 008        | 14421-ZG3-000     | ARM, IN. VALVE ROCKER                 | 1            |                       |
| 009        | 14431-ZG3-000     | ARM, EX. VALVE ROCKER                 | 1            |                       |
| 010        | 14441-ZE2-000     | LIFTER, VALVE                         | 2            |                       |
| 010        | 14441-ZE2-000     | LIFTER, VALVE                         | 2            | 1001160               |
| 011        | 14461-ZG3-000     | SHAFT COMP., ROCKER ARM               | 1            |                       |
| 012        | 14568-ZG3-000     | SPRING, WEIGHT RETURN                 | 1            |                       |
| <u>Ref</u> | <u>Partnumber</u> | <u>Description</u>                    | <u>GD410</u> | <u>Serial Numbers</u> |
| 013        | 14711-ZG3-000     | VALVE, IN.                            | 1            |                       |
| 014        | 14721-ZG3-000     | VALVE, EX.                            | 1            |                       |
| 015        | 14751-ZG3-003     | SPRING, VALVE                         | 2            |                       |
| 016        | 14765-PG6-000     | RETAINER, VALVE SPRING                | 2            |                       |
| 017        | 14775-ZG3-000     | SEAT, VALVE SPRING                    | 2            |                       |
| 018        | 14781-MB9-000     | COTTER, VALVE                         | 4            |                       |
| 019        | 90012-ZG3-000     | SCREW, TAPPET ADJUSTING               | 2            |                       |
| 020        | 90206-001-000     | NUT, TAPPET ADJUSTING                 | 2            |                       |
| 021        | 90448-KE1-000     | WASHER, THRUST, 16MM                  | 2            |                       |
| 022        | 91002-ZG3-003     | BEARING, SPECIAL BALL, 6204 (A) (NTN) | 1            |                       |
| 024        | 91006-ZG3-000     | SET RING, 470                         | 1            |                       |
| 025        | 94510-16000       | CIRCLIP, EXTERNAL, 16MM               | 2            |                       |
| 026        | 95701-0603500     | BOLT, FLANGE, 6X35                    | 2            |                       |
| 027        | 96100-6204300     | BEARING, RADIAL BALL, 6204            | 1            |                       |