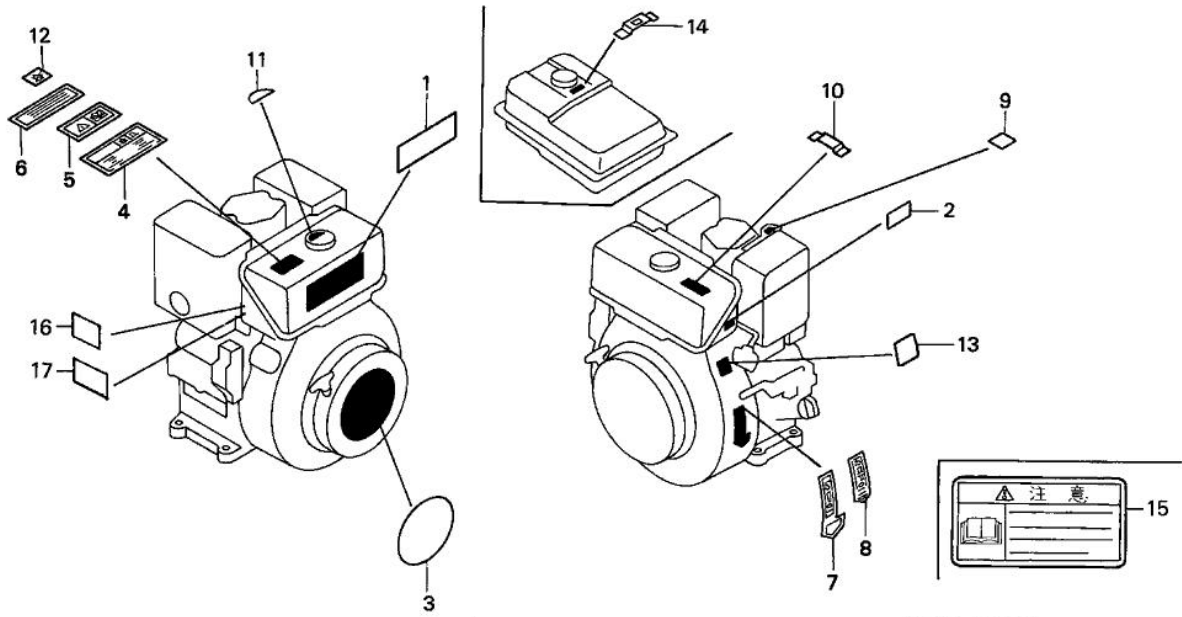


Section

ENGINE

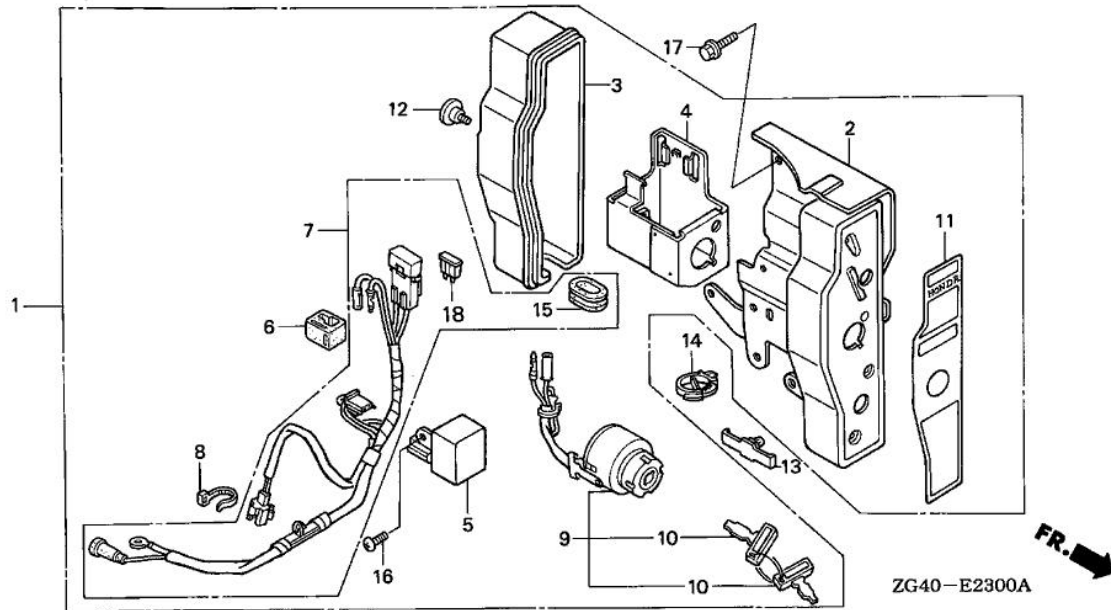
Illustration

LABEL



ZG40-E2800

| Ref. | Part Number | Part Description | Qty. |
|------|---------------|--|------|
| 001 | 87101-ZG4-000 | EMBLEM (GD320) | 001 |
| 003 | 87521-ZG3-010 | PLATE, EMBLEM | 001 |
| 004 | 87522-ZG4-800 | LABEL, CAUTION (ENGLISH)(FRENCH)(GERMAN) (SPANIS... | 001 |
| 007 | 87532-ZG3-800 | MARK, THROTTLE (ENGLISH) | 001 |
| 010 | 87565-ZG3-810 | MARK, FUEL (EXTERNAL) | 001 |
| 011 | 87592-ZG3-800 | MARK, USE FUEL (ENGLISH) | 001 |
| 013 | 87594-ZG3-800 | MARK, OIL CAUTION (ENGLISH) | 001 |



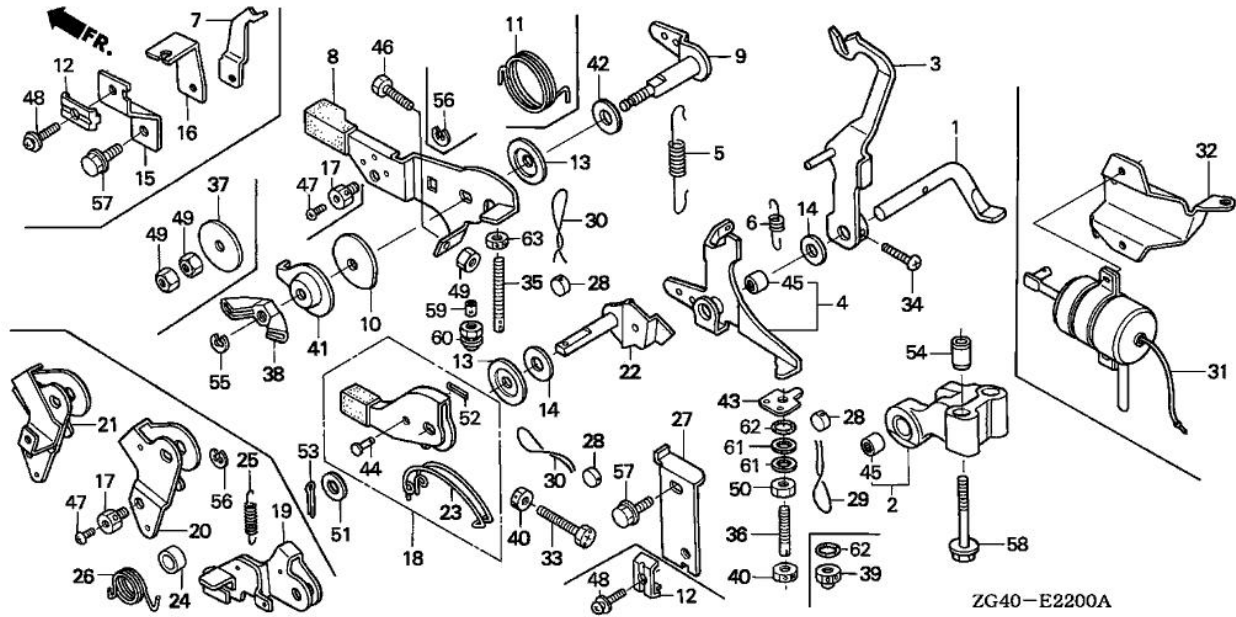
| Ref. | Part Number | Part Description | Qty. |
|------|-----------------|---|-----------------|
| 001 | 31400-ZG4-812ZA | BOX ASSY., CONTROL *NH116M* (EXTERNAL)(URBAN SILVER METALLIC) | 001 |
| 002 | 31420-ZG3-801ZB | PANEL, CONTROL *NH116M*(URBAN SILVER METALLIC) | 001 |
| 003 | 31612-ZE2-003 | CASE, CONTROL | 001 |
| 004 | 31614-ZE2-003 | BRACKET, CASE MOUNTING | 001 |
| 005 | 31700-ZG3-801 | RECTIFIER, SILICON | 001 |
| 006 | 32127-738-700 | SUSPENSION, CONNECTOR | 001 |
| 007 | 32150-ZG4-800 | WIRE HARNESS ASSY., CONTROL | 001 |
| 008 | 32902-892-003 | BAND | 001 |
| 009 | 35100-ZG3-802 | SWITCH ASSY., COMBINATION | 001 |
| 010 | 35111-880-013 | KEY (HONDALOCK) | 002 |
| 011 | 87529-ZG3-811 | MARK, CONTROL BOX (EXTERNAL) | 001 |
| 012 | 90380-MA6-010 | SCREW, SPECIAL (6X12) | 001 |
| 014 | 90684-ZA0-601 | CLIP, HARNESS | 001 |
| 015 | 91601-ZG3-801 | GROMMET, WIRE HARNESS | (NOT AVAILABLE) |
| 016 | 93500-06012-0H | SCREW, PAN (6X12) | 001 |
| 017 | 95701-06016-00 | BOLT, FLANGE (6X16) | 002 |
| 018 | 98200-31500 | FUSE, BLADE (15A) | 001 |

Section

ENGINE

Illustration

CONTROL



| Ref. | Part Number | Part Description | Qty. |
|------|----------------|----------------------------------|-----------------|
| 001 | 16541-ZG3-000 | SHAFT, GOVERNOR ARM | 001 |
| 002 | 16544-ZG3-000 | STAY, GOVERNOR SHAFT | 001 |
| 003 | 16550-ZG3-000 | ARM, GOVERNOR | 001 |
| 004 | 16558-ZG3-010 | ARM, SUB-GOVERNOR | 001 |
| 005 | 16561-ZG3-000 | SPRING, GOVERNOR | 001 |
| 006 | 16563-ZG3-000 | SPRING, IDLE | 001 |
| 006 | 16563-ZG3-010 | SPRING, IDLE | 001 |
| 008 | 16571-ZG3-010 | LEVER, CONTROL | 001 |
| 009 | 16572-ZG3-000 | SHAFT, CONTROL LEVER | 001 |
| 010 | 16574-ZG3-000 | SPRING, LEVER | 001 |
| 013 | 16577-ZG3-000 | SPACER, CONTROL LEVER (A) | 002 |
| 014 | 16578-ZG3-000 | SPACER, CONTROL LEVER (B) | 002 |
| 018 | 16630-ZG3-000 | LEVER, STOP | 001 |
| 022 | 16632-ZG3-000 | SHAFT, STOP LEVER | 001 |
| 023 | 16633-ZG3-300 | SPRING, STOP LEVER | 001 |
| 027 | 16645-ZG3-000 | HOLDER, STOP CABLE | 001 |
| 028 | 16727-705-000 | END, LOCK | 003 |
| 029 | 16728-ZG3-000 | WIRE, LOCK (A) | 001 |
| 030 | 16729-ZG3-000 | WIRE, LOCK (B) | 002 |
| 033 | 90007-ZG3-000 | BOLT, RECESSED (6X32) | 001 |
| 034 | 90010-ZG3-000 | SCREW, PAN (3X18) | 001 |
| 035 | 90045-ZG3-000 | BOLT, CONTROL ADJUSTING | 001 |
| 036 | 90102-ZG3-000 | BOLT, ADJUSTING | (NOT AVAILABLE) |
| 038 | 90203-679-000 | NUT, PLUG COVER | 001 |
| 040 | 90206-ZG3-000 | NUT, HEX. (6MM) | 001 |
| 041 | 90405-ZG3-000 | WASHER (6X30) | 001 |
| 042 | 16578-ZG3-000 | SPACER, CONTROL LEVER (B) | 001 |
| 043 | 90426-ZG3-000 | WASHER, SEALING | 001 |
| 044 | 90751-ZG3-300 | PIN, CENTER (4X16.5) | 001 |
| 045 | 91024-KG4-004 | BEARING, NEEDLE (8X12X10) (TOYO) | 002 |
| 046 | 92301-06020-0A | BOLT, RECESSED (6X20) | 001 |
| 049 | 94001-06000-0S | NUT, HEX. (6MM) | 001 |

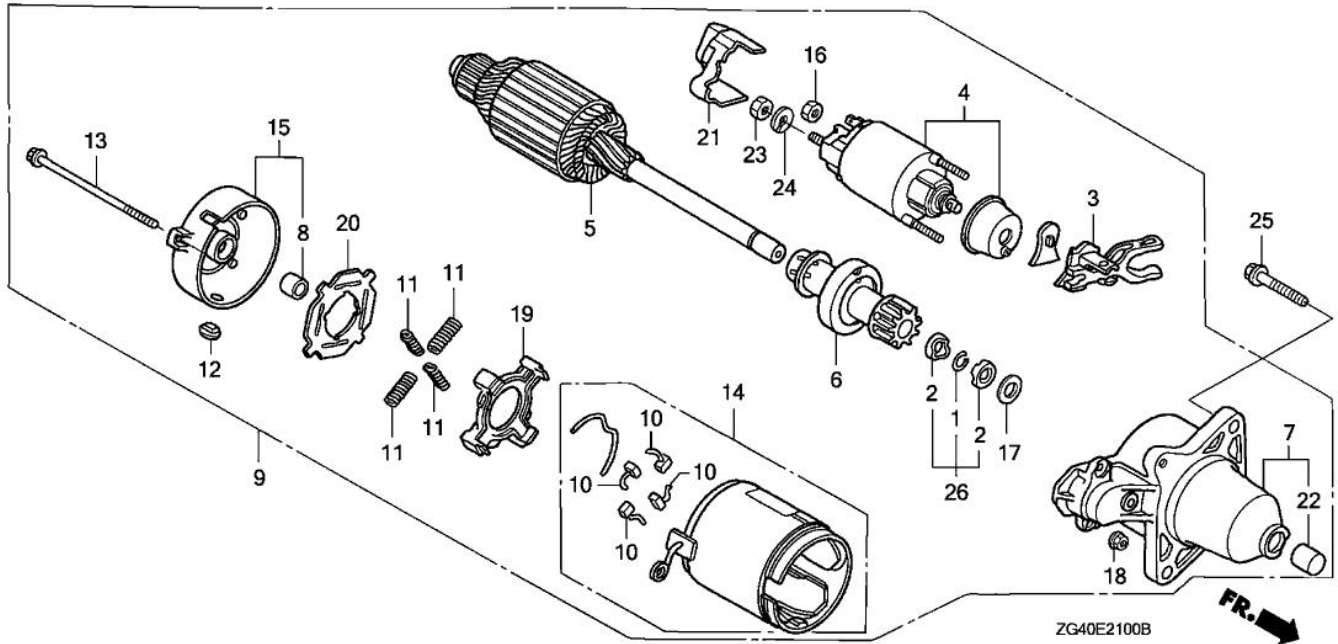
| Ref. | Part Number | Part Description | Qty. |
|------|----------------|---------------------|------|
| 049 | 94001-06200-0S | NUT, HEX. (6MM) | 001 |
| 050 | 94001-06280-0S | NUT, HEX. (6MM) | 001 |
| 051 | 94102-08000 | WASHER, PLAIN (8MM) | 001 |
| 052 | 94201-16080 | PIN, SPLIT (1.6) | 001 |
| 053 | 94201-25300 | PIN, SPLIT (2.5X30) | 001 |
| 054 | 94301-08140 | PIN, DOWEL (8X14) | 002 |
| 055 | 94540-03010 | E-RING (3MM) | 001 |
| 057 | 95701-06016-00 | BOLT, FLANGE (6X16) | 001 |
| 058 | 95701-06040-00 | BOLT, FLANGE (6X40) | 002 |
| 063 | 90206-ZG3-000 | NUT, HEX. (6MM) | 001 |

Section

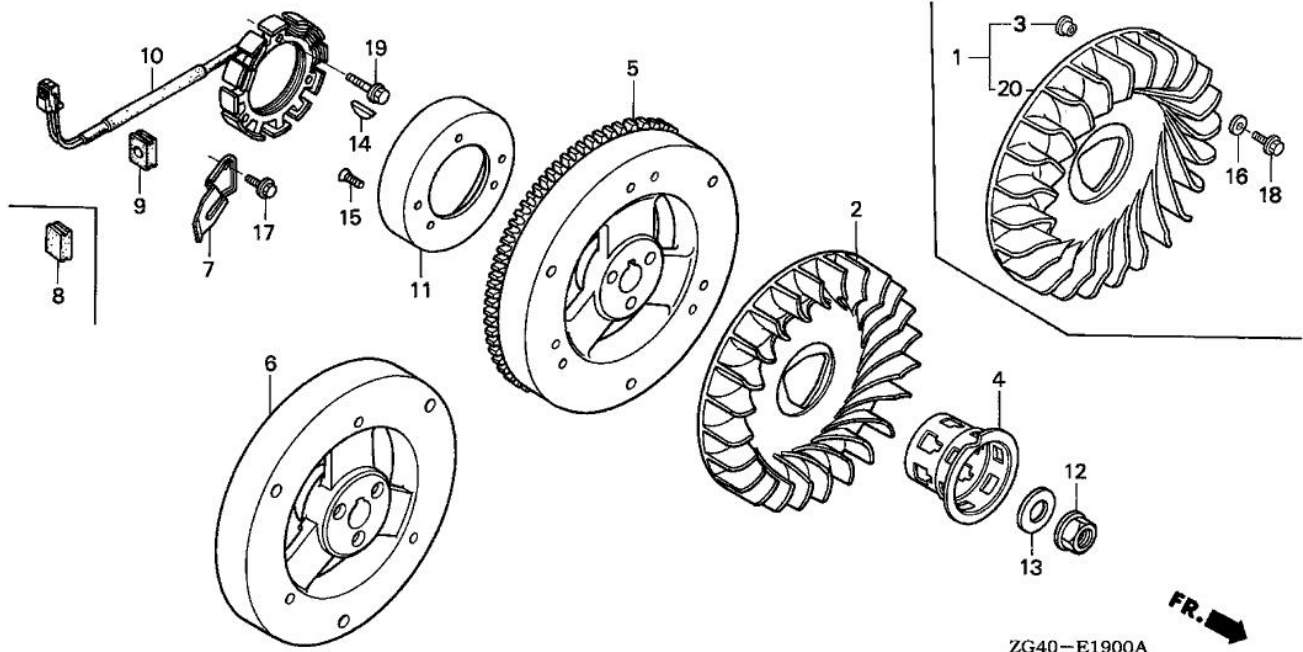
ENGINE

Illustration

STARTER MOTOR (1)



| Ref. | Part Number | Part Description | Qty. |
|------|----------------|-------------------------|------|
| 001 | 30201-PH9-004 | RING, SNAP (DENSO) | 001 |
| 002 | 30202-PZ1-003 | COLLAR SET, CLUTCH STOP | 002 |
| 003 | 31203-PN4-003 | LEVER, PINION DRIVE | 001 |
| 004 | 31204-ZG4-802 | SWITCH ASSY., MAGNET | 001 |
| 005 | 31206-ZG4-801 | ARMATURE | 001 |
| 006 | 31207-ZG4-801 | CLUTCH, OVERRUNNING | 001 |
| 007 | 31208-ZG4-801 | HOUSING, DRIVE SIDE | 001 |
| 008 | 31210-PH9-004 | BEARING B | 001 |
| 009 | 31210-ZG4-802 | STARTER MOTOR ASSY. | 001 |
| 010 | 31211-PH9-004 | BRUSH | 004 |
| 011 | 31212-PH9-004 | SPRING, BRUSH | 004 |
| 012 | 31213-679-004 | COVER | 001 |
| 013 | 31214-PH9-004 | BOLT, THROUGH | 002 |
| 014 | 31218-ZG4-801 | YOKE | 001 |
| 015 | 31219-ZG4-801 | FRAME, COMMUTATOR END | 001 |
| 016 | 31220-PH9-004 | NUT, HEX. (8MM) | 001 |
| 017 | 31221-PH9-004 | WASHER | 001 |
| 018 | 31223-PA0-006 | NUT, HEX. | 002 |
| 019 | 31231-PH9-004 | HOLDER, BRUSH | 001 |
| 020 | 31233-PH9-004 | INSULATOR, BRUSH HOLDER | 001 |
| 021 | 31235-ZG4-801 | COVER, TERMINAL | 001 |
| 022 | 91002-ZG4-801 | BEARING A | 001 |
| 023 | 94001-08000-0S | NUT, HEX. (8MM) | 001 |
| 024 | 94111-08000 | WASHER, SPRING (8MM) | 001 |
| 025 | 95701-08028-00 | BOLT, FLANGE (8X28) | 002 |



ZG40-E1900A

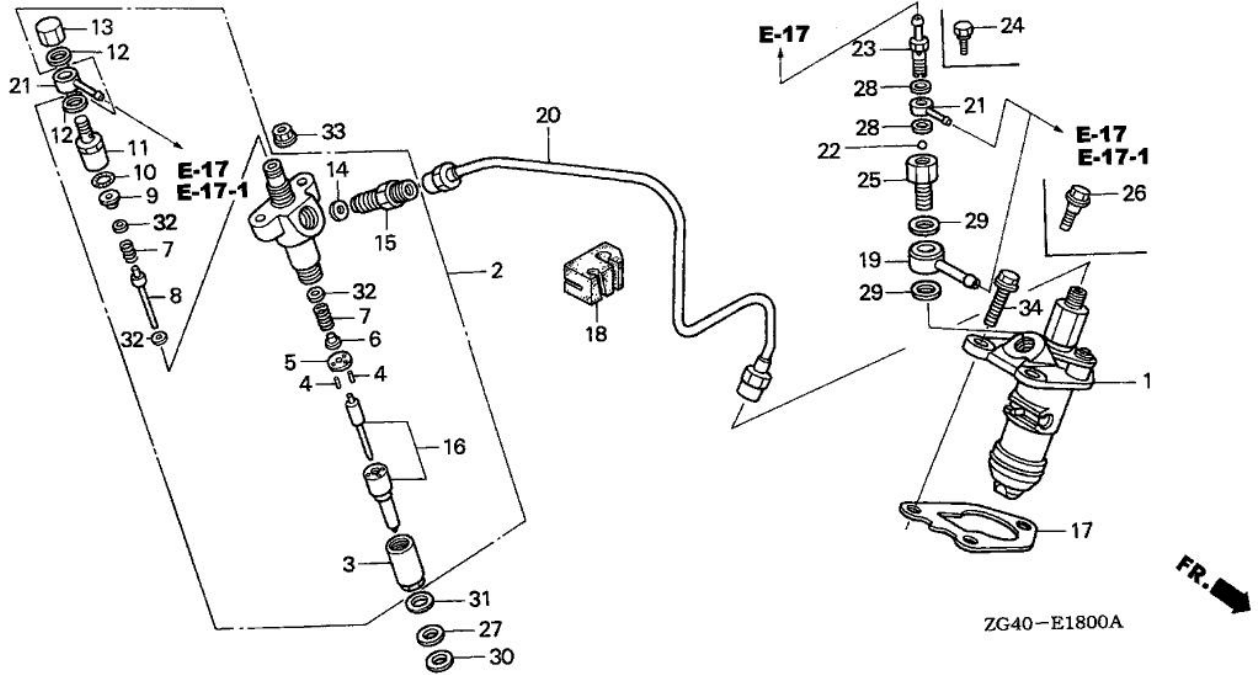
| Ref. | Part Number | Part Description | Qty. |
|------|----------------|-------------------------|------|
| 002 | 19511-ZG4-000 | FAN, COOLING | 001 |
| 004 | 28451-ZG4-000 | PULLEY, STARTER | 001 |
| 005 | 31100-ZG4-890 | FLYWHEEL (SELF STARTER) | 001 |
| 007 | 31511-ZG3-800 | CLAMP, WIRE | 001 |
| 009 | 31512-ZG3-000 | GROMMET, WIRE | 001 |
| 010 | 31601-ZG3-801 | STATOR (1.7A) | 001 |
| 011 | 31610-ZG3-801 | ROTOR (4MAGNET) | 001 |
| 012 | 90201-ZG3-000 | NUT, FLANGE (20MM) | 001 |
| 013 | 90401-ZG3-000 | WASHER (20MM) | 001 |
| 014 | 90741-ZG3-000 | KEY, WOODRUFF (50X7) | 001 |
| 015 | 93600-06012-0A | SCREW, FLAT (6X12) | 003 |
| 017 | 95701-06012-00 | BOLT, FLANGE (6X12) | 001 |
| 019 | 90015-ZG3-000 | BOLT, FLANGE (6X22) | 003 |

Section

ENGINE

Illustration

FUEL INJECTION PUMP



| Ref. | Part Number | Part Description | | Qty. |
|------|---------------|--|-----------------|------|
| 001 | 16300-ZG3-931 | PUMP ASSY., FUEL INJECTION | (NOT AVAILABLE) | 001 |
| 002 | 16410-ZG3-013 | NOZZLE & HOLDER ASSY. | (NOT AVAILABLE) | 001 |
| 003 | 16413-ZG3-003 | NUT, RETAINING | | 001 |
| 004 | 16414-ZG3-003 | PIN (1.78X9.3) | | 002 |
| 005 | 16415-ZG3-003 | SPACER | | 001 |
| 006 | 16416-ZG3-003 | SEAT, SPRING (A) | | 001 |
| 007 | 16417-ZG3-003 | SPRING, NOZZLE | | 002 |
| 008 | 16418-ZG3-003 | ROD, PUSH | | 001 |
| 009 | 16419-ZG3-003 | SEAT, SPRING (B) | | 001 |
| 010 | 16421-ZG3-003 | O-RING | | 001 |
| 011 | 16422-ZG3-003 | NUT, CAP | | 001 |
| 012 | 16423-ZG3-003 | GASKET A | | 002 |
| 013 | 16424-ZG3-003 | NUT | | 001 |
| 014 | 16425-ZG3-003 | GASKET B | | 001 |
| 015 | 16426-ZG3-003 | CONNECTOR, IN. | | 001 |
| 016 | 16431-ZG3-003 | NOZZLE | | 001 |
| 017 | 16441-ZG3-000 | GASKET, FUEL INJECTION PUMP (0.2) (C) | | (1) |
| 017 | 16442-ZG3-000 | GASKET, FUEL INJECTION PUMP (0.3) (D) | | (1) |
| 017 | 16443-ZG3-000 | GASKET, FUEL INJECTION PUMP (0.4) (E) | | (1) |
| 017 | 16444-ZG3-000 | GASKET, FUEL INJECTION PUMP (0.1) (A) | | (1) |
| 017 | 16445-ZG3-000 | GASKET, FUEL INJECTION PUMP (0.15) (B) | | (1) |
| 017 | 16451-ZG3-000 | GASKET, FUEL INJECTION PUMP (0.5) (F) | | (1) |
| 017 | 16452-ZG3-000 | GASKET, FUEL INJECTION PUMP (0.6) (G) | | (1) |
| 018 | 16447-ZG3-000 | RUBBER, FUEL TUBE CLAMP | | 001 |
| 019 | 16449-ZG3-000 | JOINT, FUEL | | 001 |
| 020 | 16455-ZG4-000 | PIPE A, FUEL | | 001 |
| 021 | 16647-ZG3-000 | JOINT, AIR BREATHER (B) | | 002 |
| 022 | 16648-ZG3-000 | BALL, CHECK | | 001 |
| 023 | 90025-ZG3-000 | BOLT, AIR BREATHER (8X20) | | 001 |
| 025 | 90027-ZG3-000 | BOLT, FUEL JOINT (12X25.5) | | 001 |
| 026 | 90161-744-000 | BOLT, ROTARY TRANSMISSION | | 002 |
| 027 | 90402-ZG3-880 | WASHER, PLAIN (7MM) | | 001 |

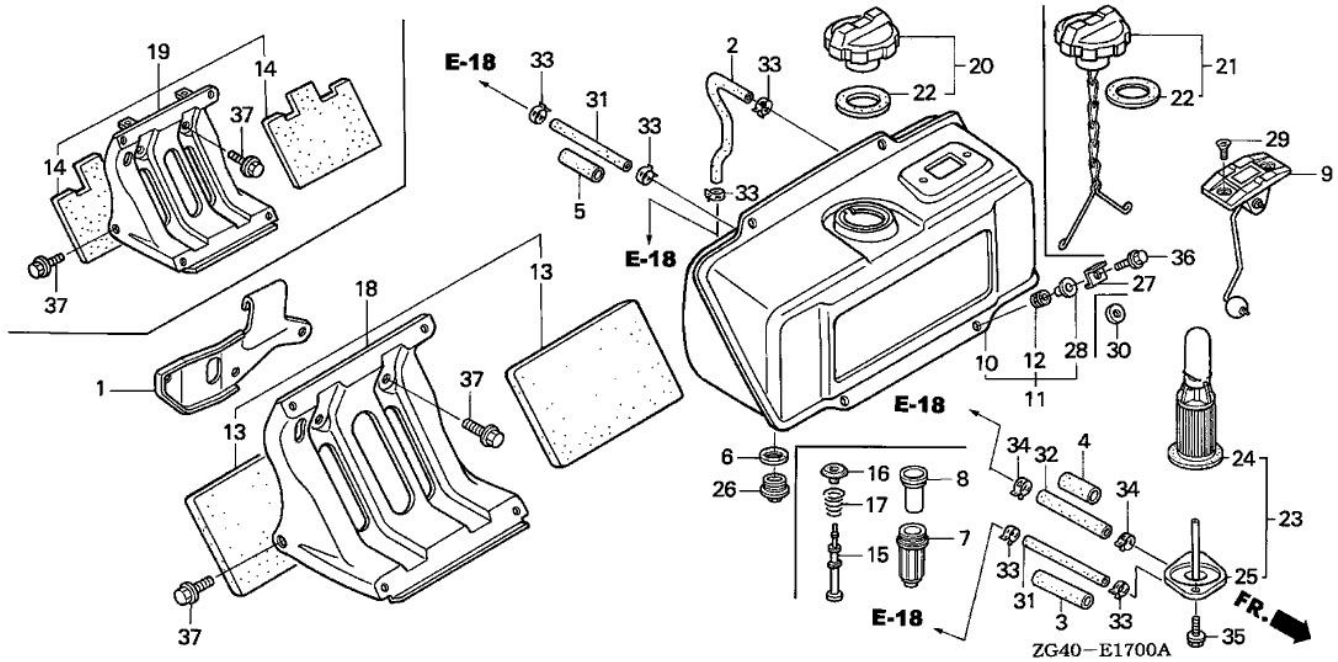
| Ref. | Part Number | Part Description | Qty. |
|------|----------------|------------------------|------|
| 028 | 90403-ZG3-000 | WASHER (8MM) | 002 |
| 029 | 90418-ZG3-000 | WASHER, FUEL JOINT | 002 |
| 030 | 90455-ZG3-880 | GASKET, SPECIAL (7MM) | 001 |
| 031 | 90451-ZG3-000 | GASKET A, NOZZLE (0.8) | 001 |
| 031 | 90452-ZG3-000 | GASKET B, NOZZLE (1.0) | 001 |
| 031 | 90453-ZG3-000 | GASKET C, NOZZLE (1.2) | 001 |
| 031 | 90454-ZG3-000 | GASKET D, NOZZLE (1.4) | 001 |
| 032 | 90460-ZG3-003 | SHIM A (0.50) | (AR |
| 032 | 90461-ZG3-003 | SHIM B (0.51) | (AR |
| 032 | 90462-ZG3-003 | SHIM C (0.52) | (AR |
| 032 | 90463-ZG3-003 | SHIM D (0.53) | (AR |
| 032 | 90464-ZG3-003 | SHIM E (0.54) | (AR |
| 032 | 90465-ZG3-003 | SHIM F (0.55) | (AR |
| 032 | 90466-ZG3-003 | SHIM G (0.56) | (AR |
| 032 | 90467-ZG3-003 | SHIM H (0.57) | (AR |
| 032 | 90468-ZG3-003 | SHIM I (0.58) | (AR |
| 032 | 90469-ZG3-003 | SHIM J (0.59) | (AR |
| 032 | 90470-ZG3-003 | SHIM K (0.60) | (AR |
| 032 | 90471-ZG3-003 | SHIM L (0.70) | (AR |
| 032 | 90472-ZG3-003 | SHIM M (0.80) | (AR |
| 032 | 90473-ZG3-003 | SHIM N (0.90) | (AR |
| 033 | 94050-06000 | NUT, FLANGE (6MM) | 002 |
| 034 | 95701-08025-00 | BOLT, FLANGE (8X25) | 001 |
| 034 | 95701-08025-00 | BOLT, FLANGE (8X25) | 003 |

Section

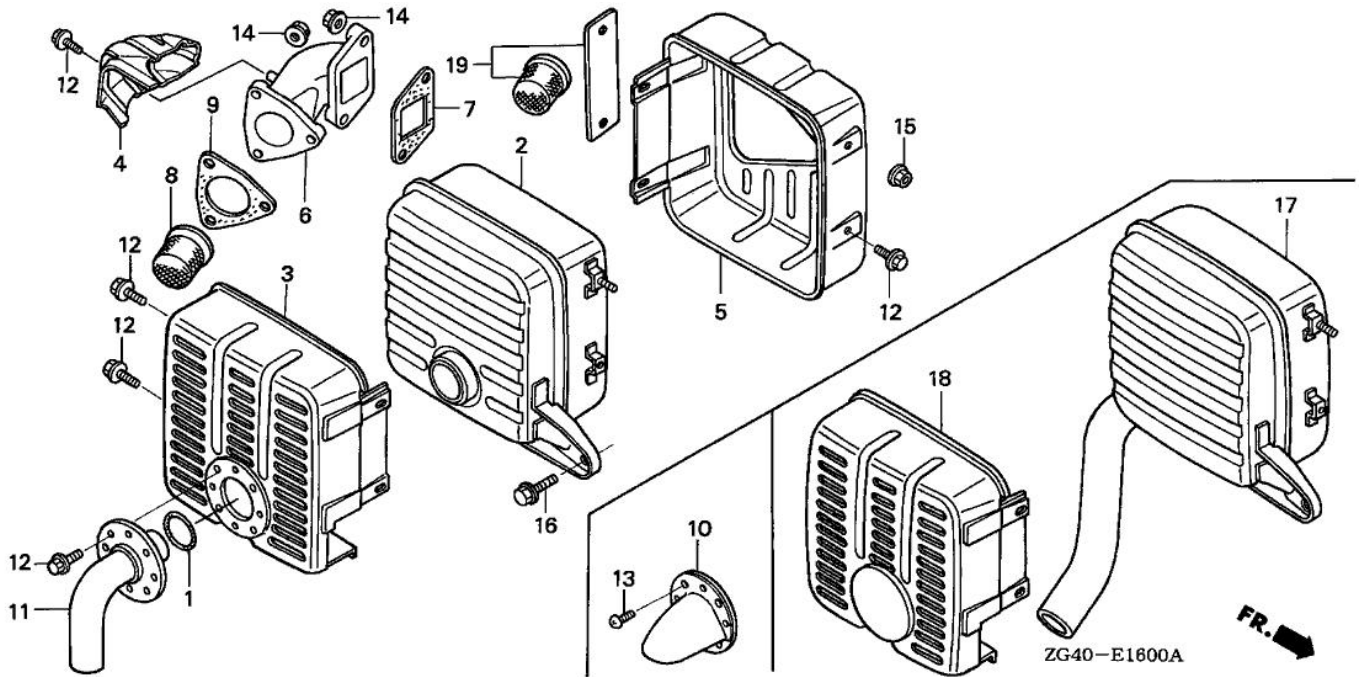
ENGINE

Illustration

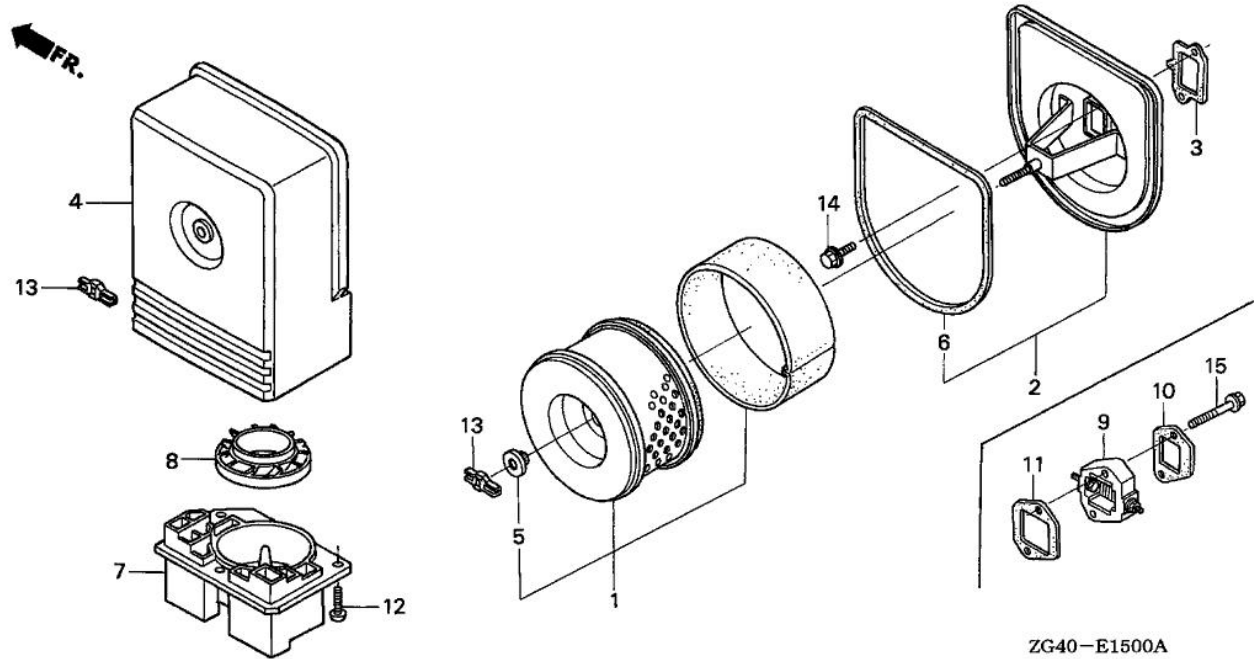
FUEL TANK (1)



| Ref. | Part Number | Part Description | Qty. |
|------|-----------------|---|------|
| 001 | 11911-ZG3-000 | HANGER, ENGINE | 001 |
| 002 | 16346-ZG4-000 | TUBE, FUEL | 001 |
| 003 | 16854-ZG3-000 | RUBBER, SUPPORTER (9X48) | 001 |
| 004 | 16857-ZG3-000 | RUBBER, SUPPORTER (B) | 001 |
| 005 | 16858-ZG3-000 | RUBBER, SUPPORTER (9X30) | 001 |
| 006 | 16963-443-901 | GASKET | 001 |
| 009 | 17505-ZG3-801 | GAUGE ASSY., FUEL | 001 |
| 010 | 17510-ZG3-800ZC | TANK, FUEL *R280* (GAUGE)(POWER RED) | (1) |
| 013 | 17535-ZG3-000 | SEAT, TANK STAY | 002 |
| 018 | 17560-ZG3-000 | STAY, FUEL TANK | 001 |
| 020 | 17620-ZG3-003 | CAP, FUEL FILLER | 001 |
| 022 | 17631-329-003 | GASKET, FUEL FILLER CAP (39X58X3) | 001 |
| 023 | 17670-ZG3-013 | FILTER ASSY., FUEL | (1) |
| 024 | 17682-ZG3-003 | STRAINER | 001 |
| 025 | 17687-ZG3-013 | BODY, STRAINER | (1) |
| 026 | 90021-ZG3-003 | BOLT, DRAIN | 001 |
| 027 | 90407-ZG3-010 | WASHER, SPECIAL (6MM) | 004 |
| 029 | 93600-05010-0A | SCREW, FLAT (5X10) | 002 |
| 031 | 95001-45003-60M | BULK HOSE, FUEL (4.5X3000) OEM CUT SIZE: (95001-450)(95001-45001-60M) | 002 |
| 032 | 95001-80001-60M | BULK HOSE, FUEL (8X1000) OEM CUT SIZE: (8X90) | 001 |
| 033 | 95002-40800-08 | CLAMP, TUBE (D8) | 006 |
| 034 | 95002-41250-08 | CLAMP, TUBE (D12.5) | 002 |
| 035 | 95701-06012-00 | BOLT, FLANGE (6X12) | 002 |
| 036 | 95701-06014-00 | BOLT, FLANGE (6X14) | 004 |
| 037 | 95701-08022-00 | BOLT, FLANGE (8X22) | 004 |



| Ref. | Part Number | Part Description | Qty. |
|------|----------------|---------------------------------|------|
| 002 | 18310-ZG3-003 | MUFFLER | 001 |
| 003 | 18321-ZG3-003 | PROTECTOR A, MUFFLER | 001 |
| 005 | 18325-ZG3-003 | PROTECTOR B, MUFFLER | 001 |
| 006 | 18331-ZG3-000 | PIPE, EX. | 001 |
| 007 | 18333-ZG3-800 | GASKET, EX. PIPE (NON-ASBESTOS) | 001 |
| 008 | 18355-ZG3-000 | ARRESTER, SPARK | (1) |
| 009 | 18381-ZG3-800 | GASKET, MUFFLER (NON-ASBESTOS) | 001 |
| 010 | 18431-ZG3-800 | DEFLECTOR, MUFFLER | (1) |
| 012 | 90002-ZG3-000 | BOLT, FLANGE (5X8) | 003 |
| 013 | 93500-05008-0B | SCREW, PAN (5X8) | (4) |
| 014 | 94050-08000 | NUT, FLANGE (8MM) | 005 |
| 015 | 94050-08020 | NUT, FLANGE (8MM) | 001 |
| 016 | 95701-08020-00 | BOLT, FLANGE (8X20) | 001 |



ZG40-E1500A

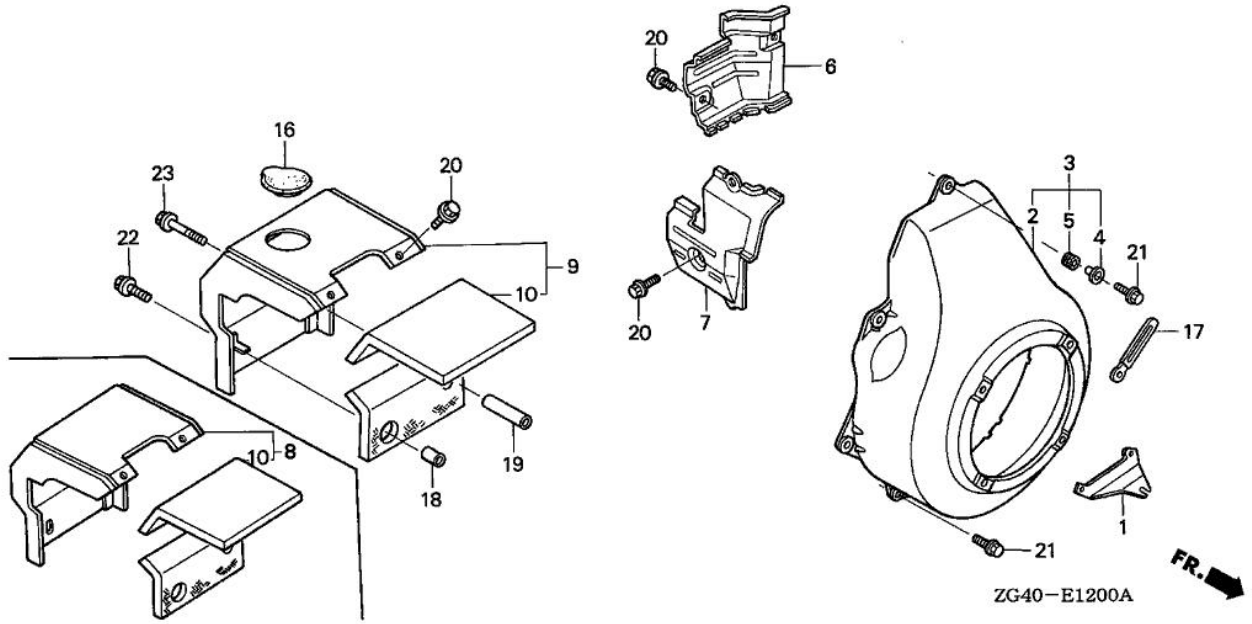
| Ref. | Part Number | Part Description | Qty. |
|------|----------------|--|------|
| 001 | 17210-ZG3-506 | ELEMENT, AIR CLEANER | (1) |
| 002 | 17220-ZG3-003 | HOUSING, AIR CLEANER | 001 |
| 003 | 17228-ZG3-800 | GASKET, AIR CLEANER (NON-ASBESTOS) | 001 |
| 004 | 17230-ZG3-000 | COVER, AIR CLEANER | 001 |
| 005 | 17232-ZG3-003 | GROMMET, AIR CLEANER | 001 |
| 006 | 17406-ZG3-000 | GASKET, AIR CLEANER HOUSING | 001 |
| 007 | 17471-ZG3-000 | CASE, PRE CLEANER | 001 |
| 007 | 17471-ZG3-010 | CASE, PRE CLEANER | 001 |
| 008 | 17476-ZG3-003 | GUIDE, PRE AIR CLEANER | 001 |
| 012 | 90142-MB0-000 | SCREW, PAN (5X16.5) | 003 |
| 013 | 90203-PB2-000 | NUT, AIR CLEANER COVER (DACRO COATING) | 002 |
| 014 | 95701-08022-00 | BOLT, FLANGE (8X22) | 002 |

Section

ENGINE

Illustration

FAN COVER



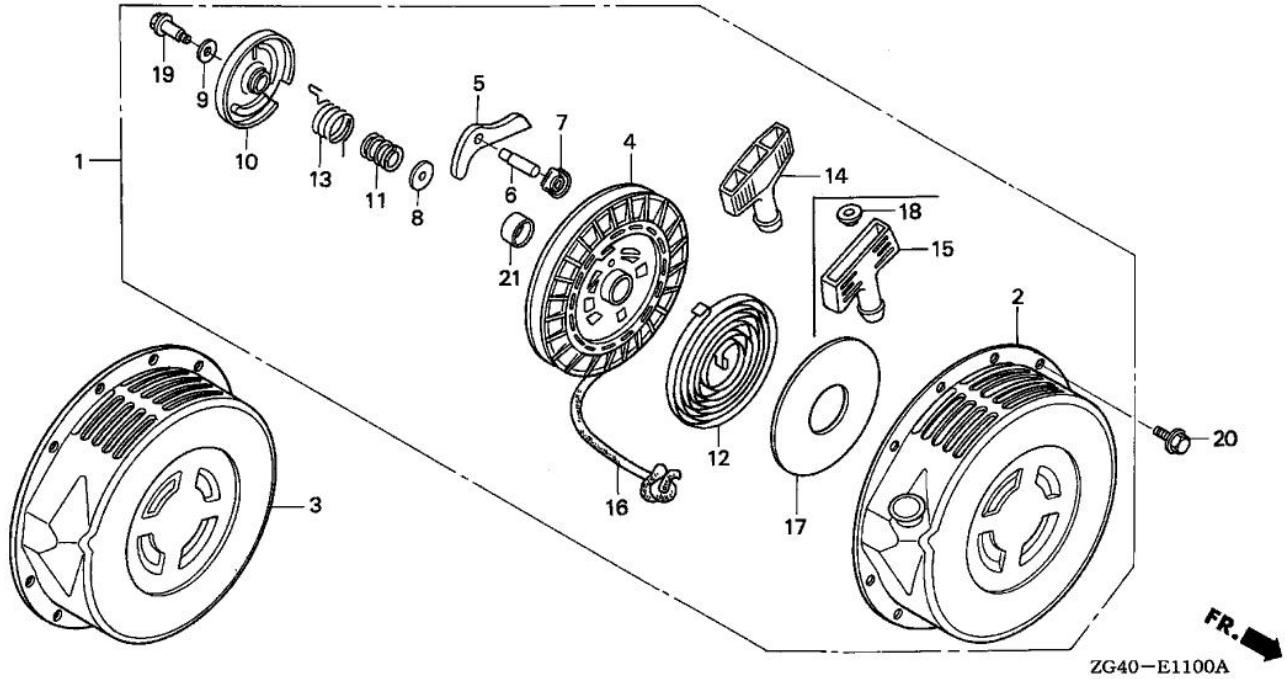
| Ref. | Part Number | Part Description | Qty. |
|------|-----------------|--|------|
| 002 | 19610-ZG4-000ZA | COVER, FAN *NH116M*(URBAN SILVER METALLIC) | 001 |
| 006 | 19631-ZG4-000 | SHROUD (A) | 001 |
| 007 | 19632-ZG4-000 | SHROUD (B) | 001 |
| 020 | 95701-06012-00 | BOLT, FLANGE (6X12) | 004 |
| 021 | 95701-06012-00 | BOLT, FLANGE (6X12) | 007 |

Section

ENGINE

Illustration

RECOIL STARTER



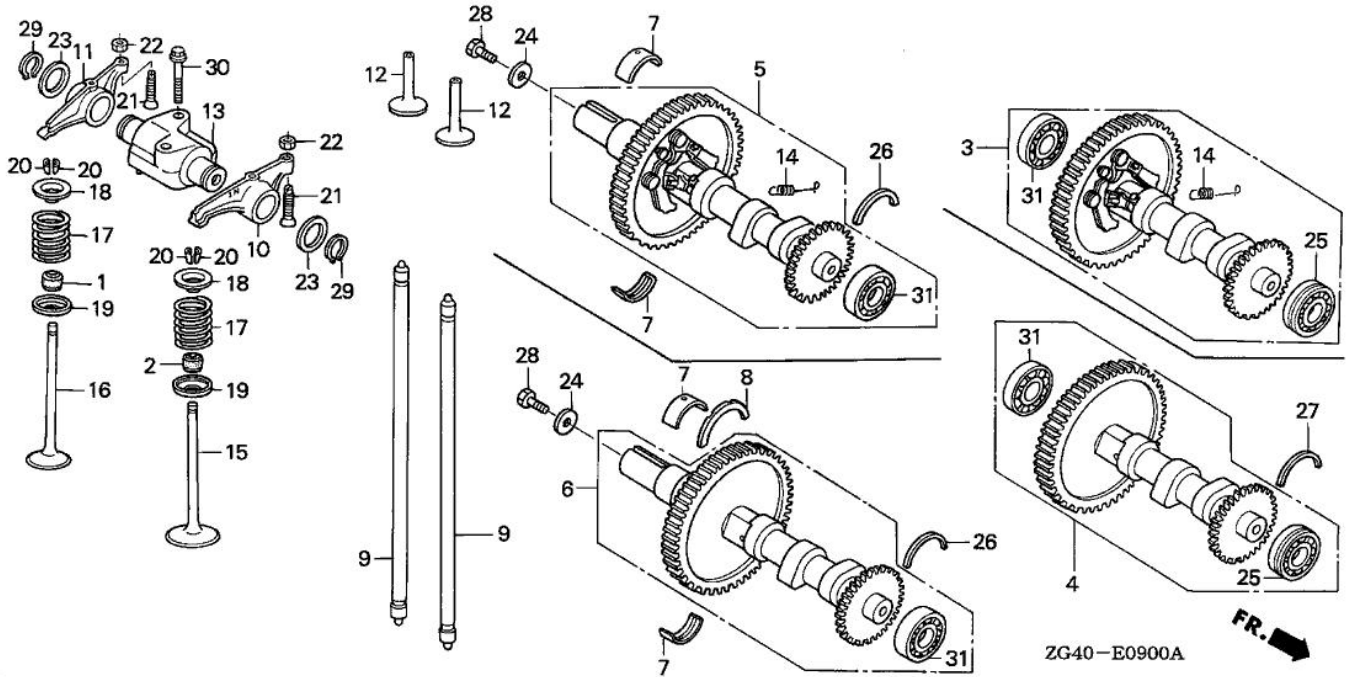
| Ref. | Part Number | Part Description | Qty. |
|------|-----------------|---|------|
| 001 | 28400-ZG3-014ZA | STARTER ASSY., RECOIL *NH116M*(URBAN SILVER METALLIC) | 001 |
| 002 | 28410-ZG3-004 | CASE, STARTER | 001 |
| 004 | 28420-ZE8-811 | REEL, STARTER | 001 |
| 004 | 28420-ZE8-812 | REEL, STARTER | 001 |
| 005 | 28422-ZG3-004 | RATCHET, STARTER | 001 |
| 006 | 28423-ZG3-004 | SHAFT, RATCHET | 001 |
| 007 | 28424-ZE1-712 | PLATE, GUIDE | 001 |
| 008 | 28431-ZG3-004 | PLATE A, FRICTION | 001 |
| 009 | 28432-883-T20 | PLATE B, FRICTION | 001 |
| 010 | 28434-ZE8-812 | COVER, STARTER REEL | 001 |
| 011 | 28441-ZG3-004 | SPRING, FRICTION (D=13.0MM / L=16.3MM) | 001 |
| 012 | 28442-ZE1-713 | SPRING, RETURN | 001 |
| 013 | 28449-ZG3-004 | SPRING, TORSION | 001 |
| 015 | 28461-ZG3-014 | GRIP, STARTER | 001 |
| 016 | 28462-ZG3-004 | ROPE, STARTER | 001 |
| 018 | 28469-ZE2-W01 | REINFORCEMENT, GRIP | 001 |
| 019 | 90003-ZG3-004 | BOLT (6MM) | 001 |
| 020 | 90011-ZG0-000 | BOLT, FLANGE (6X8) | 004 |
| 021 | 91501-ZG3-004 | COLLAR | 001 |

Section

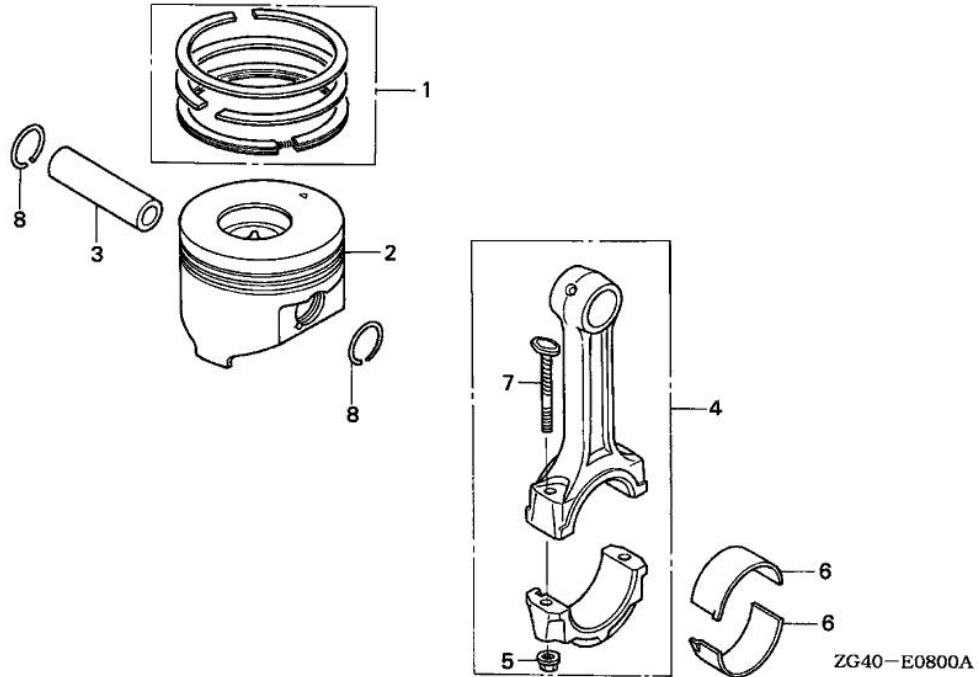
ENGINE

Illustration

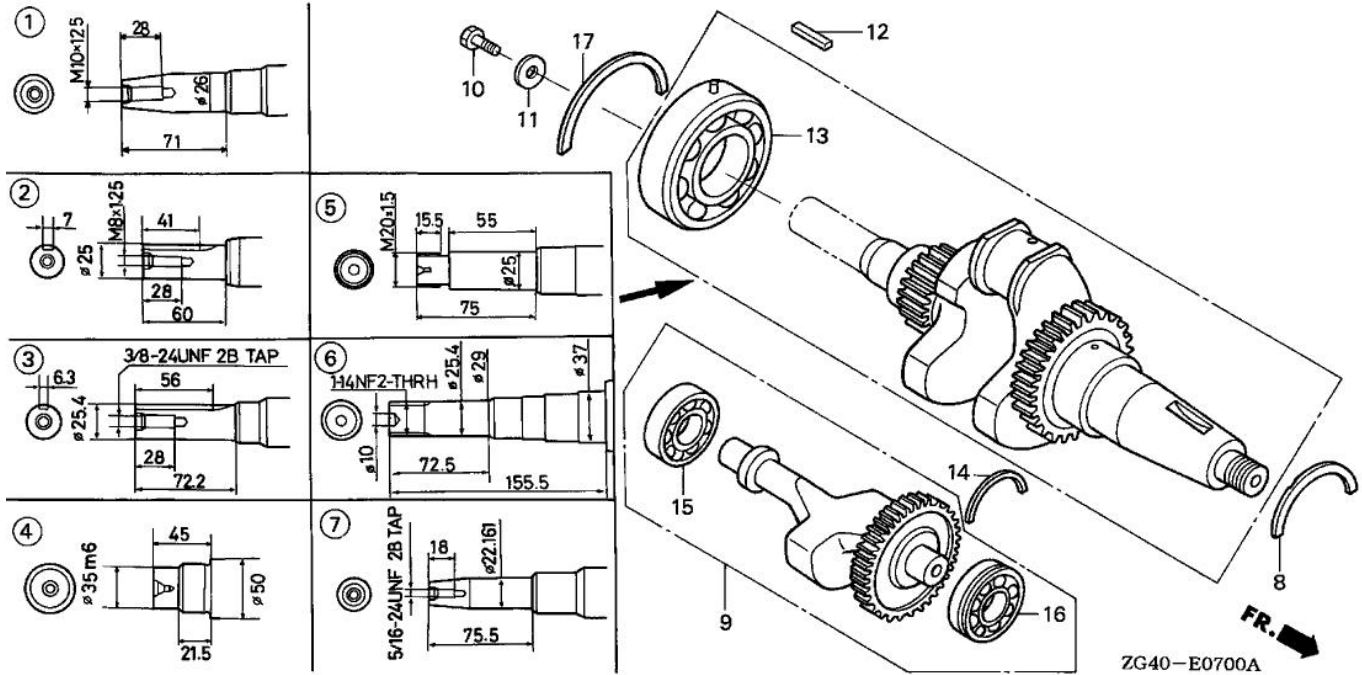
CAMSHAFT



| Ref. | Part Number | Part Description | Qty. |
|------|----------------|-------------------------------------|------|
| 002 | 12210-PD2-003 | SEAL A, VALVE STEM (ARAI) | 001 |
| 004 | 14100-ZG3-940 | CAMSHAFT ASSY. (USA-SEL) | 001 |
| 009 | 14410-ZG4-000 | ROD, PUSH | 002 |
| 010 | 14421-ZG3-000 | ARM, IN. VALVE ROCKER | 001 |
| 011 | 14431-ZG3-000 | ARM, EX. VALVE ROCKER | 001 |
| 012 | 14441-ZE2-000 | LIFTER, VALVE | 002 |
| 013 | 14461-ZG3-000 | SHAFT, ROCKER ARM | 001 |
| 015 | 14711-ZG4-000 | VALVE, IN. | 001 |
| 016 | 14721-ZG4-000 | VALVE, EX. | 001 |
| 017 | 14751-ZG3-003 | SPRING, VALVE | 002 |
| 018 | 14771-ZJ8-000 | RETAINER, VALVE SPRING | 002 |
| 019 | 14775-ZG3-000 | SEAT, VALVE SPRING | 002 |
| 020 | 14781-MB9-000 | COTTER, VALVE | 004 |
| 021 | 90012-ZG3-000 | SCREW, TAPPET ADJUSTING | 002 |
| 022 | 90206-001-000 | NUT, TAPPET ADJUSTING | 002 |
| 023 | 90448-KE1-000 | WASHER, THRUST (16MM) | 002 |
| 025 | 91002-ZG3-003 | BEARING A, SPECIAL BALL (6204)(NTN) | 001 |
| 027 | 91006-ZG3-000 | SET-RING (470) | 001 |
| 029 | 94510-16000 | CIRCLIP (OUTER) (16MM) | 002 |
| 030 | 95701-06035-00 | BOLT, FLANGE (6X35) | 002 |
| 031 | 96100-62043-00 | BEARING, RADIAL BALL (6204) | 001 |



| Ref. | Part Number | Part Description | Qty. |
|------|---------------|---|------|
| 001 | 13010-ZG4-010 | RING SET, PISTON (STD) | 001 |
| 001 | 13011-ZG4-010 | RING SET, PISTON (0.25) | (1) |
| 001 | 13012-ZG4-010 | RING SET, PISTON (0.50) | (1) |
| 001 | 13013-ZG4-000 | RING SET, PISTON (0.75) | (1) |
| 002 | 13101-ZG4-010 | PISTON (STD) | 001 |
| 002 | 13101-ZG4-930 | PISTON (STD) | 001 |
| 003 | 13111-ZG4-000 | PIN, PISTON | 001 |
| 004 | 13200-ZG4-000 | ROD ASSY., CONNECTING | 001 |
| 005 | 13205-634-010 | NUT, CONNECTING ROD | 002 |
| 006 | 13211-ZG4-000 | BEARING A, CONNECTING ROD (BLUE) | 002 |
| 006 | 13212-ZG4-000 | BEARING B, CONNECTING ROD (BLACK) | 002 |
| 006 | 13213-ZG4-000 | BEARING C, CONNECTING ROD (BROWN) | 002 |
| 006 | 13214-ZG4-000 | BEARING D, CONNECTING ROD (GREEN) | 002 |
| 006 | 13215-ZG4-000 | BEARING E, CONNECTING ROD (YELLOW) | 002 |
| 006 | 13216-ZG4-000 | BEARING F, CONNECTING ROD (PINK) | 002 |
| 006 | 13217-ZG4-000 | BEARING G, CONNECTING ROD (RED) | 002 |
| 006 | 13232-ZG4-000 | BEARING A, CONNECTING ROD (UNDER SIZE 0.25) (BLACK) | (2) |
| 006 | 13233-ZG4-000 | BEARING B, CONNECTING ROD (UNDER SIZE 0.25) (BROWN) | (2) |
| 006 | 13234-ZG4-000 | BEARING C, CONNECTING ROD (UNDER SIZE 0.25) (GREEN) | (2) |
| 006 | 13236-ZG4-000 | BEARING A, CONNECTING ROD (UNDER SIZE 0.50) (BLACK) | (2) |
| 006 | 13237-ZG4-000 | BEARING B, CONNECTING ROD (UNDER SIZE 0.50) (BROWN) | (2) |
| 006 | 13238-ZG4-000 | BEARING C, CONNECTING ROD (UNDER SIZE 0.50) (GREEN) | (2) |
| 006 | 13242-ZG4-000 | BEARING A, CONNECTING ROD (UNDER SIZE 0.75) (BLACK) | (2) |
| 006 | 13243-ZG4-000 | BEARING B, CONNECTING ROD (UNDER SIZE 0.75) (BROWN) | (2) |
| 006 | 13244-ZG4-000 | BEARING C, CONNECTING ROD (UNDER SIZE 0.75) (GREEN) | (2) |
| 007 | 13213-463-003 | BOLT, CONNECTING ROD (NAGOYA RASHI) | 002 |
| 008 | 90601-KA5-000 | CLIP, PISTON PIN (1.2X20) | 002 |



ZG40-E0700A

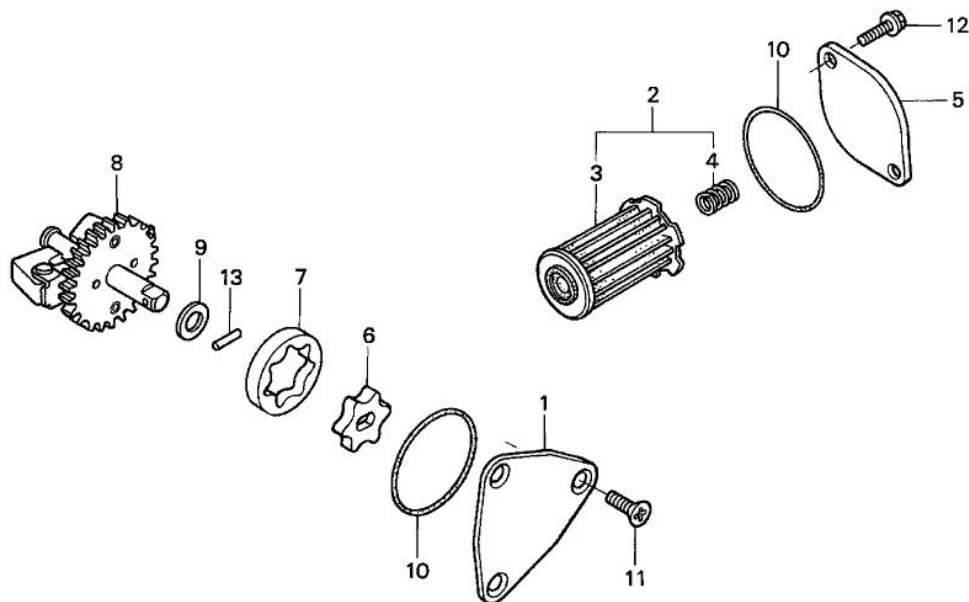
| Ref. | Part Number | Part Description | Qty. |
|------|---------------|-------------------------------------|------|
| 007 | 13310-ZG4-670 | CRANKSHAFT | 001 |
| 008 | 13316-ZG4-000 | BEARING A, CRANKSHAFT THRUST (BLUE) | 001 |
| 009 | 13350-ZG4-000 | WEIGHT, BALANCER | 001 |
| 013 | 91001-ZG4-003 | BEARING, SPECIAL (6307) | 001 |
| 014 | 91006-ZG3-000 | SET-RING (470) | 001 |
| 015 | 91102-GE1-711 | BEARING, RADIAL BALL (6204) (TOYO) | 001 |
| 016 | 91008-ZG4-003 | BEARING C, SPECIAL BALL (6204) | 001 |

Section

ENGINE

Illustration

OIL PUMP



ZG40-E0500A

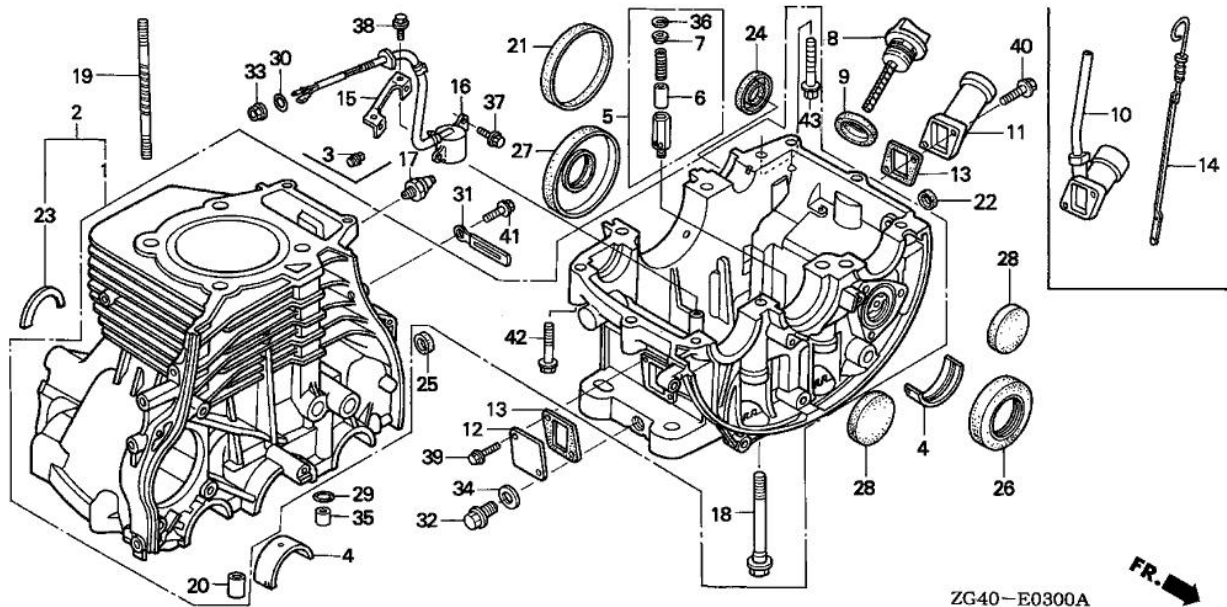
| Ref. | Part Number | Part Description | Qty. |
|------|----------------|-------------------------|-----------------|
| 001 | 15121-ZG3-000 | COVER, OIL PUMP | 001 |
| 002 | 15220-ZG3-000 | STRAINER, OIL | 001 |
| 003 | 15221-ZG3-000 | STRAINER, OIL | (NOT AVAILABLE) |
| 004 | 15223-ZG3-000 | SPRING, OIL STRAINER | 001 |
| 004 | 15223-ZG3-300 | SPRING, OIL STRAINER | 001 |
| 005 | 15224-ZG3-000 | COVER, OIL STRAINER | 001 |
| 006 | 15331-ZG3-013 | ROTOR, OIL PUMP (INNER) | 001 |
| 007 | 15341-ZG3-003 | ROTOR, OIL PUMP (OUTER) | 001 |
| 008 | 16510-ZG3-010 | WEIGHT, GOVERNOR | 001 |
| 009 | 90443-ZG3-000 | WASHER (15.5MM) | 001 |
| 010 | 91301-ZG3-000 | O-RING (42.2X2.4) | 002 |
| 011 | 90011-ZG3-000 | SCREW, FLAT (6X16) | 003 |
| 012 | 95701-06016-00 | BOLT, FLANGE (6X16) | 002 |
| 013 | 96220-30134 | ROLLER (3X13.4) | 001 |

Section

ENGINE

Illustration

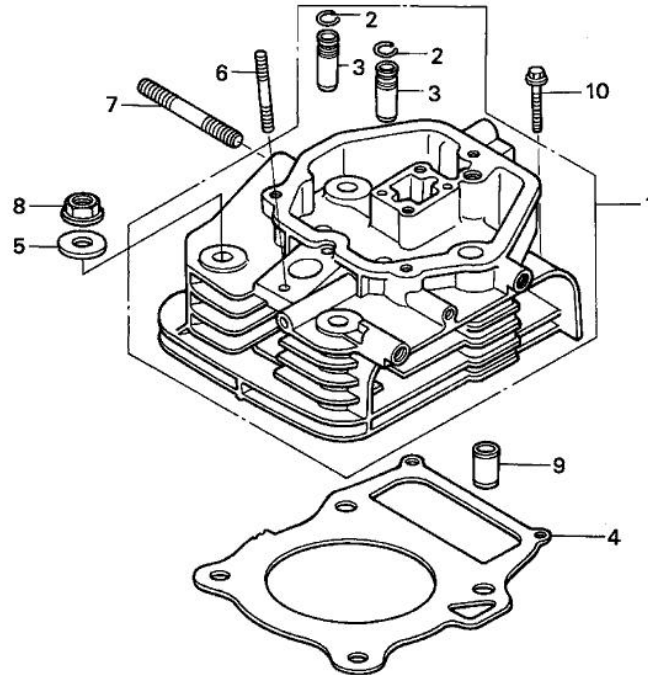
CYLINDER



ZG40-E0300A

| Ref. | Part Number | Part Description | Qty. |
|------|---------------|---|----------------------------------|
| 001 | 12000-ZG4-820 | CYLINDER ASSY. (SEL) | (1) |
| 004 | 13321-ZG4-003 | BEARING A, MAIN (BLUE) | 002 |
| 004 | 13322-ZG4-003 | BEARING B, MAIN (BLACK) | 002 |
| 004 | 13323-ZG4-003 | BEARING C, MAIN (BROWN) | 002 |
| 004 | 13324-ZG4-003 | BEARING D, MAIN (GREEN) | 002 |
| 004 | 13325-ZG4-003 | BEARING E, MAIN (YELLOW) | 002 |
| 004 | 13326-ZG4-003 | BEARING F, MAIN (PINK) | 002 |
| 004 | 13327-ZG4-003 | BEARING G, MAIN (RED) | 002 |
| 004 | 13332-ZG4-000 | BEARING A, MAIN (UNDER SIZE 0.25) (BLACK) | (2) |
| 004 | 13333-ZG4-000 | BEARING B, MAIN (UNDER SIZE 0.25) (BROWN) | (2) |
| 004 | 13334-ZG4-000 | BEARING C, MAIN (UNDER SIZE 0.25) (GREEN) | (2) |
| 004 | 13336-ZG4-000 | BEARING A, MAIN (UNDER SIZE 0.50) (BLACK) | (2) |
| 004 | 13337-ZG4-000 | BEARING B, MAIN (UNDER SIZE 0.50) (BROWN) | (2) |
| 004 | 13338-ZG4-000 | BEARING C, MAIN (UNDER SIZE 0.50) (GREEN) | (2) |
| 004 | 13342-ZG4-000 | BEARING A, MAIN (UNDER SIZE 0.75) (BLACK) | (2) |
| 004 | 13343-ZG4-000 | BEARING B, MAIN (UNDER SIZE 0.75) (BROWN) | (2) |
| 004 | 13344-ZG4-000 | BEARING C, MAIN (UNDER SIZE 0.75) (GREEN) | (2) |
| 005 | 15220-413-020 | VALVE ASSY., RELIEF | (SOURCE: VINTAGE PARTS INC.) 001 |
| 006 | 15231-413-020 | VALVE, RELIEF | 001 |
| 007 | 15233-413-000 | SEAT, RELIEF VALVE | (NOT AVAILABLE) 001 |
| 008 | 15620-ZG3-000 | CAP, OIL FILLER | 001 |
| 009 | 15625-ZE8-000 | GASKET, OIL FILLER CAP | 001 |
| 011 | 15631-ZG3-000 | EXTENSION, OIL FILLER | 001 |
| 012 | 15634-ZG3-000 | PLATE, EXTENSION | 001 |
| 013 | 15635-ZG3-800 | GASKET, EXTENSION OIL FILLER (NON-ASBESTOS) | 002 |
| 018 | 90005-ZG3-003 | BOLT-WASHER (11X115) | 004 |
| 019 | 90020-ZG3-003 | BOLT, STUD (10X103.5) | 004 |
| 020 | 90715-PC6-000 | PIN, DOWEL (13X20) | 003 |
| 023 | 91003-ZG4-000 | SET-RING (80) | 001 |
| 025 | 91201-ZE9-003 | OIL SEAL (8X14X5) | 001 |
| 026 | 91201-ZG4-003 | OIL SEAL (37X64X10) | 001 |
| 027 | 91202-ZG4-003 | OIL SEAL (31X80X10) | 001 |

| Ref. | Part Number | Part Description | Qty. |
|------|----------------|---------------------------|------|
| 028 | 91204-ZG3-003 | PLUG, SEALING (47MM) | 002 |
| 029 | 91305-PE2-003 | O-RING (9.8X1.9) | 001 |
| 032 | 92800-14000 | BOLT, DRAIN PLUG (14MM) | 001 |
| 034 | 94109-14000 | WASHER, DRAIN PLUG (14MM) | 001 |
| 035 | 94301-10160 | PIN, DOWEL (10X16) | 001 |
| 036 | 94520-12000 | CIRCLIP (INNER) (12MM) | 001 |
| 039 | 95701-06016-00 | BOLT, FLANGE (6X16) | 002 |
| 040 | 95701-06022-00 | BOLT, FLANGE (6X22) | 002 |
| 042 | 95701-08040-00 | BOLT, FLANGE (8X40) | 006 |
| 043 | 95701-08050-00 | BOLT, FLANGE (8X50) | 001 |



ZG40-E0200A

| Ref. | Part Number | Part Description | Qty. |
|------|----------------|---------------------------------|------|
| 001 | 12200-ZG4-010 | CYLINDER HEAD | 001 |
| 002 | 12216-ZE2-300 | CLIP, VALVE GUIDE | 002 |
| 003 | 12218-ZG3-003 | GUIDE, VALVE (OVER SIZE) | (2) |
| 004 | 12251-ZG4-003 | GASKET, CYLINDER HEAD (1.1) (A) | 001 |
| 004 | 12252-ZG4-003 | GASKET, CYLINDER HEAD (1.2) (B) | 001 |
| 004 | 12253-ZG4-003 | GASKET, CYLINDER HEAD (1.3) (C) | 001 |
| 005 | 90404-ZG3-000 | WASHER (10MM) | 004 |
| 006 | 92900-06032-3B | BOLT, STUD (6X32) | 002 |
| 007 | 92900-08028-0B | BOLT, STUD (8X28) | 002 |
| 008 | 94050-10000 | NUT, FLANGE (10MM) | 004 |
| 009 | 94301-12200 | PIN, DOWEL (12X20) | 002 |
| 010 | 95701-06028-00 | BOLT, FLANGE (6X28) | 002 |