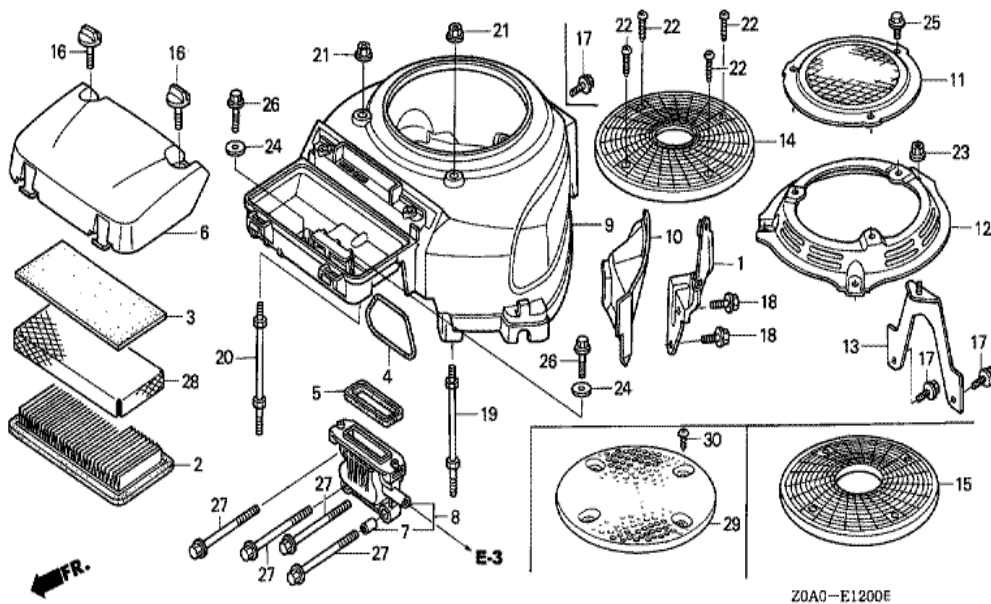


GCV530(DXA)

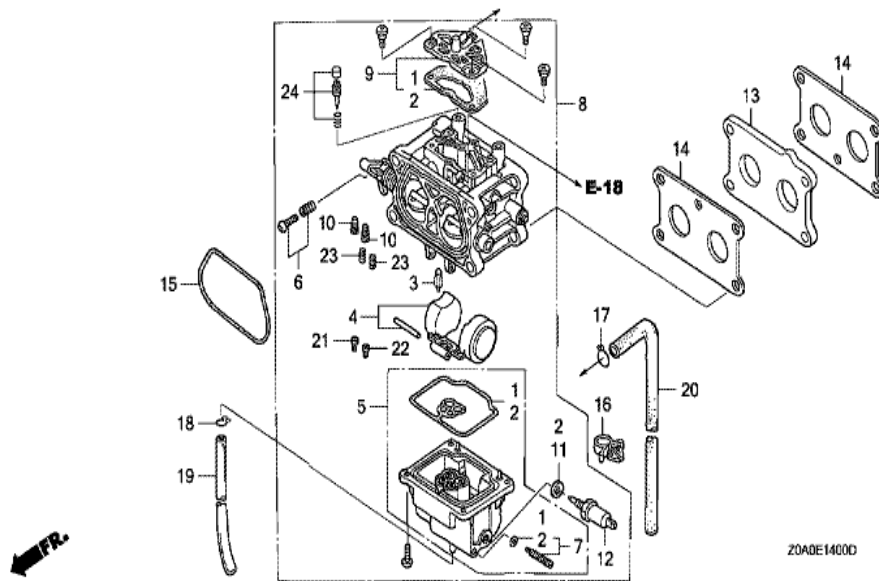
E-12 FAN COVER



Ref	Partnumber	Description	GCV530	Serial Numbers
001	16711-Z0A-000	STAY, FUEL PUMP	1	
002	17211-Z0A-003	ELEMENT, AIR CLEANER	1	1022925
003	17218-Z0A-000	FILTER, OUTER	1	
004	17228-Z0A-003	PACKING, AIR CLEANER	1	
005	17229-Z0A-000	SEAL, AIR CLEANER CASE	1	
006	17231-Z0A-000	COVER, AIR CLEANER	1	
007	17238-ZJ4-830	COLLAR A, AIR CLEANER	4	
008	17410-Z0A-000	ELBOW COMP., AIR CLEANER	1	
009	19611-Z0A-010ZA	COVER, FAN *NH1 *	1	
010	19612-Z0A-000	PLATE, SIDE	1	
014	28452-Z0A-000ZA	GRID, SCREEN (D50) *NH1*	1	1024084
016	90004-Z0A-000	BOLT, AIR CLEANER, 6MM	2	
018	90014-952-000	BOLT, FLANGE, 6X14 (CT200)	1	
Ref	Partnumber	Description	GCV530	Serial Numbers
019	90044-Z0A-000	BOLT, L. STUD (IGNITION COIL)	1	
020	90045-Z0A-000	BOLT, R. STUD (IGNITION COIL)	1	
021	90201-ZM0-000	NUT, FLANGE, 6MM	2	
022	93913-24780	SCREW, TAPPING, 4X30 (PO)	4	
024	94103-06800	WASHER, PLAIN, 6MM	2	
026	95701-0601200	BOLT, FLANGE, 6X12	2	
027	95801-0610000	BOLT, FLANGE, 6X100	4	

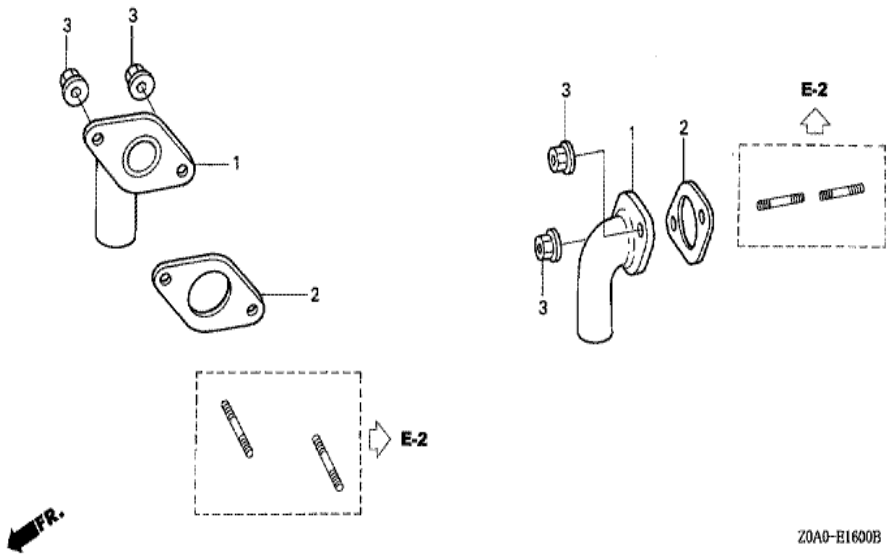
GCV530(DXA)

E-14 CARBURETOR



Ref	Partnumber	Description	GCV530	Serial Numbers
002	16010-Z0A-802	GASKET SET	1	
003	16011-Z0A-004	VALVE, FLOAT	1	
004	16013-Z0A-004	FLOAT SET	1	
005	16015-Z0A-802	CHAMBER SET, FLOAT	1	
006	16016-Z0A-004	SCREW SET	1	
007	16024-Z0A-004	SCREW SET, DRAIN	1	
008	16100-Z0A-813	CARBURETOR ASSY. (BW02B B)	1	1024972
009	16139-Z0A-004	COVER SET, AIR VENT	1	
010	16168-Z0A-004	CAP	2	
011	16178-Z0A-802	GASKET	1	
012	16200-Z0A-802	VALVE ASSY., SOLENOID	1	
013	16211-Z0A-000	INSULATOR, CARBURETOR	1	
014	16212-Z0A-000	PACKING, INSULATOR	2	
Ref	Partnumber	Description	GCV530	Serial Numbers
015	17228-Z0A-003	PACKING, AIR CLEANER	1	
016	90659-680-013	CLIP, WIRE HARNESS	1	
017	95002-02080	CLIP, TUBE (B8)	1	
018	95002-02650	CLIP, TUBE (B6.5)	1	
019	95003-0703031	TUBE, VINYL, 4X7X300 (95003-07001-60M)	1	
020	95005-4540020	TUBE, 4.5X400 (95005-45001-20M)	1	
021	99131-Z0A0820	JET, MAIN, #82.5	(1)	
021	99131-Z0A0850	JET, MAIN, #85	(1)	
021	99131-Z0A0870	JET, MAIN, #87.5	1	
022	99131-Z0A0850	JET, MAIN, #85	(1)	
022	99131-Z0A0870	JET, MAIN, #87.5	(1)	
022	99131-Z0A0900	JET, MAIN, #90	1	
023	99133-Z0A0370	JET, PILOT, #37.5	2	BW02B B
024	16028-Z0A-004	SCREW SET, PILOT	2	

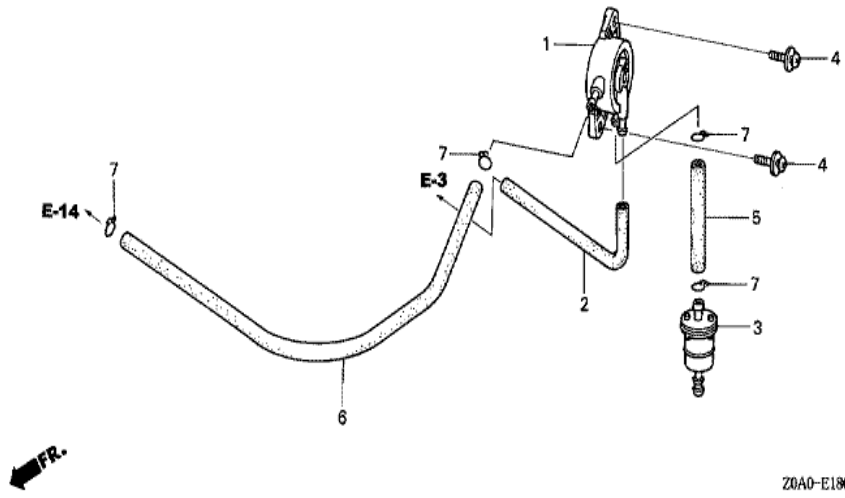
GCV530(DXA)	E-16 EXHAUST PIPE
-------------	-------------------



Z0A0-E1600B

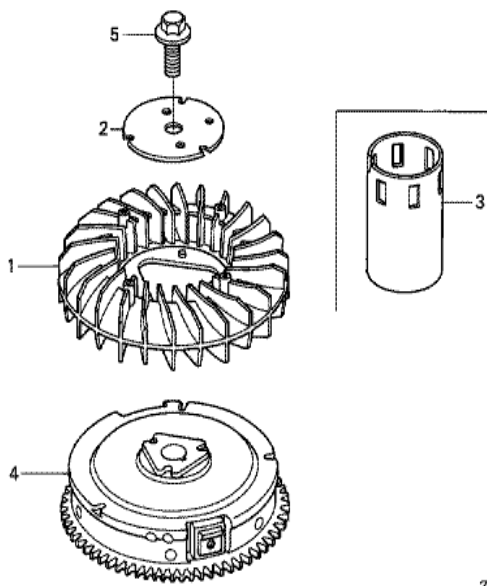
Ref	Partnumber	Description	GCV530	Serial Numbers
002	18333-Z0A-000	GASKET, EX. PIPE	2	

GCV530(DXA)	E-18 FUEL PUMP
-------------	----------------



Ref	Partnumber	Description	GCV530	Serial Numbers
001	16700-ZL8-003	PUMP ASSY., FUEL	1	1019622
002	16882-Z0A-000	TUBE, DIAPHRAGM	1	
003	16910-ZV4-015	STRAINER COMP., FUEL	1	
004	93894-0501600	SCREW-WASHER, 5X16	2	
005	95001-5510040	TUBE, FUEL, 5.3X100 (95001-55001-60M)	1	
006	95001-5535040	TUBE, FUEL, 5.3X350 (95001-55001-60M)	1	
007	95002-02100	CLIP, TUBE (B10)	2	

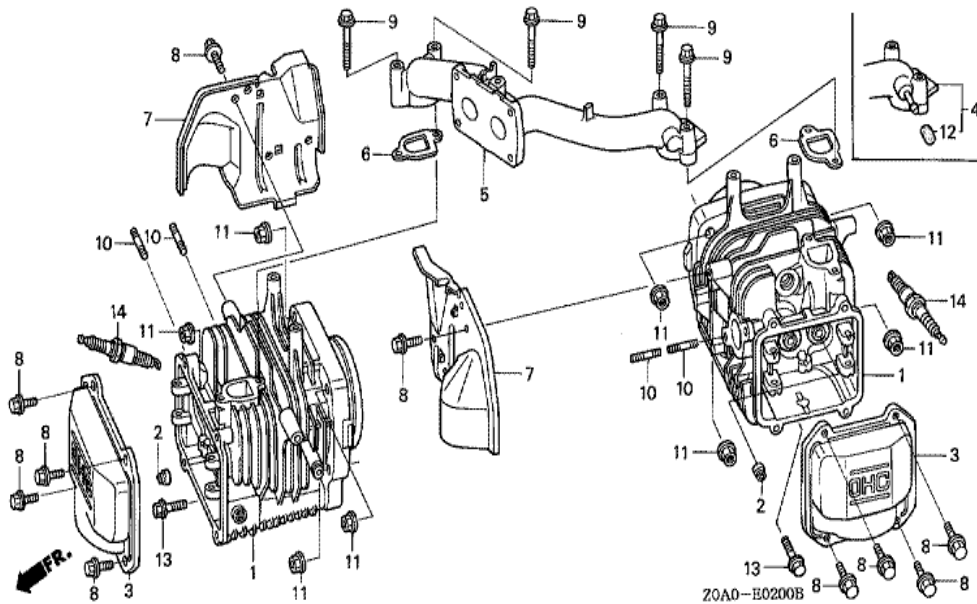
GCV530(DXA)	E-19 FLYWHEEL
-------------	---------------



Z0A0-E1900A

<u>Ref</u>	<u>Partnumber</u>	<u>Description</u>	<u>GCV530</u>	<u>Serial Numbers</u>
001	19511-Z0A-000	FAN, COOLING	1	
002	19513-Z0A-000	PLATE, COOLING FAN SETTING	1	
004	31110-Z0A-800	FLYWHEEL COMP. (6P)	1	
005	90011-Z0A-000	BOLT, FLANGE, 16X35	1	

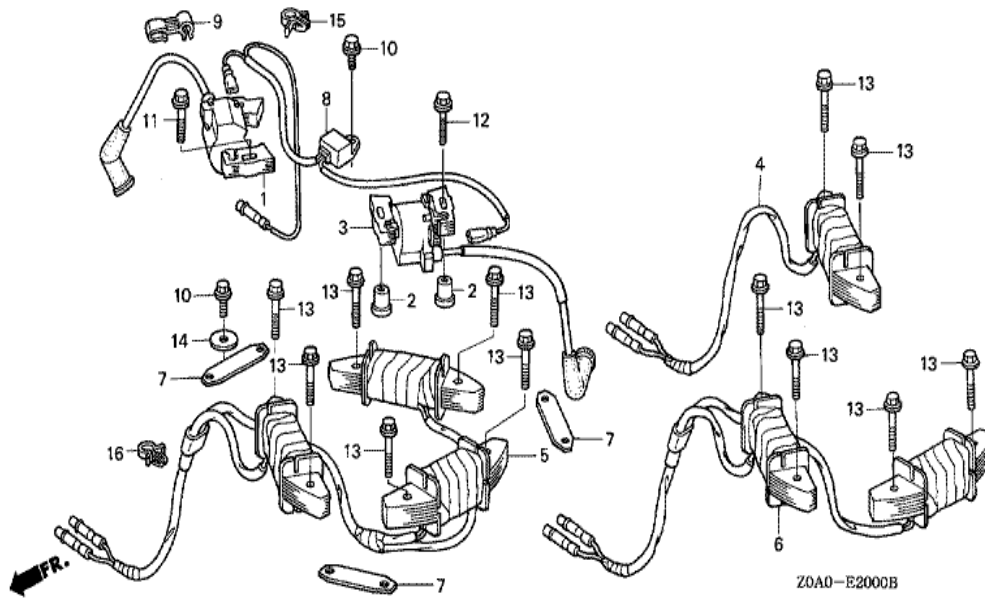
GCV530(DXA)	E-2 CYLINDER
-------------	--------------



<u>Ref</u>	<u>Partnumber</u>	<u>Description</u>	<u>GCV530</u>	<u>Serial Numbers</u>
001	12100-Z0A-406	CYLINDER COMP.	2	
002	12209-422-005	SEAL, VALVE STEM	2	
003	12311-Z0A-000	COVER, HEAD	2	
005	17101-Z0A-000	MANIFOLD, INTAKE	1	
006	17151-Z0A-000	PACKING, INTAKE MANIFOLD	2	
007	19631-Z0A-000	SHROUD	2	
008	90013-883-000	BOLT, FLANGE, 6X12 (CT200)	10	1017807
009	90016-ZE8-000	BOLT, FLANGE, 6X45 (CT200)	4	
010	90045-892-000	BOLT, STUD, 6X28 (CT200)	4	
011	90201-Z0A-000	NUT, FLANGE, 8MM	8	
013	95701-0603000	BOLT, FLANGE, 6X30	2	
014	98079-54846	PLUG, SPARK (BPR4ES) (NGK)	(2)	
014	98079-54855	PLUG, SPARK (W14EPR-U) (DENSO)	(2)	
<u>Ref</u>	<u>Partnumber</u>	<u>Description</u>	<u>GCV530</u>	<u>Serial Numbers</u>
014	98079-55846	PLUG, SPARK (BPR5ES) (NGK)	2	
014	98079-55855	PLUG, SPARK (W16EPR-U) (DENSO)	2	

GCV530(DXA)

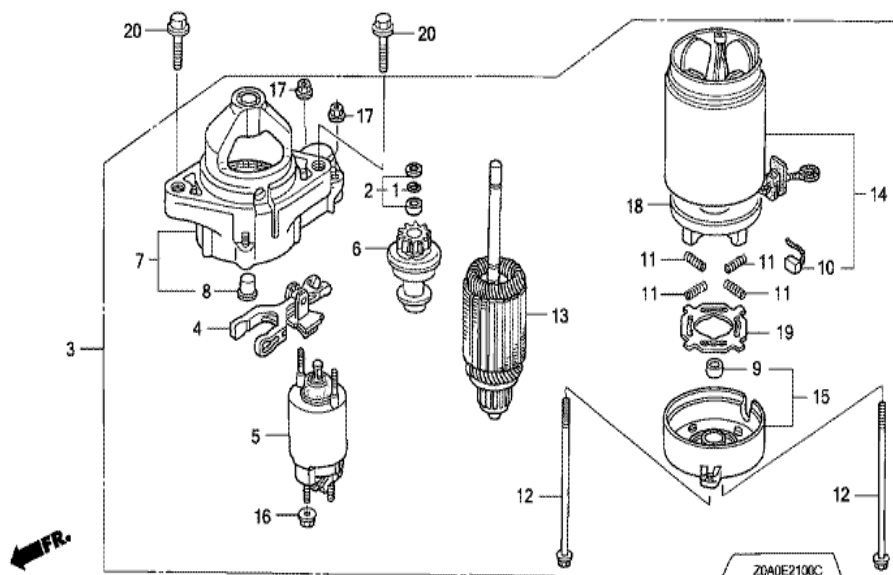
E-20 IGNITION COIL



Ref	Partnumber	Description	GCV530	Serial Numbers
001	30500-Z0A-013	COIL ASSY., IGNITION (#1)	1	1037849
002	30509-Z0A-000	COLLAR, IGNITION COIL	2	
003	30550-Z0A-013	COIL ASSY., IGNITION (#2)	1	1061986
006	31630-Z0A-811	COIL ASSY., CHARGE (12V/12A)	1	
008	31740-Z0A-003	DIODE ASSY., ENGINE STOP	1	
009	32768-PJ7-000	CLAMP, CENTER CORD	1	
010	90013-883-000	BOLT, FLANGE, 6X12 (CT200)	2	
011	95701-0602800	BOLT, FLANGE, 6X28	1	
012	90016-ZE8-000	BOLT, FLANGE, 6X45 (CT200)	1	
013	95701-0603200	BOLT, FLANGE, 6X32	2	
014	90136-428-870	WASHER, TANK SETTING	1	
015	90654-SA4-003	CLIP, WIRE HARNESS, 6MM (WHITE)	1	
016	90659-PG6-000	CLIP, WIRE HARNESS	1	

GCV530(DXA)

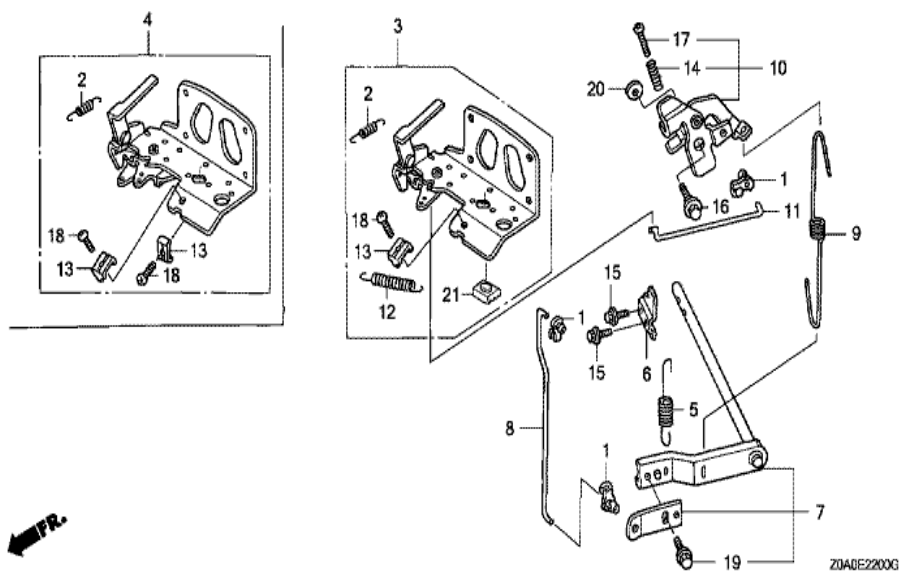
E-21 STARTER MOTOR



Ref	Partnumber	Description	GCV530	Serial Numbers
001	30201-PH9-004	RING, SNAP (DENSO)	1	
002	30202-PZ1-003	COLLAR SET, CLUTCH STOP	1	
003	31200-Z0A-003	MOTOR ASSY., STARTER	1	
004	31203-PH9-004	LEVER, PINION DRIVE	1	
005	31204-ZG4-801	SWITCH ASSY., MAGNET	1	
006	31207-Z0A-003	CLUTCH COMP., OVERRUNNING	1	
007	31208-Z0A-003	HOUSING COMP., DRIVE SIDE	1	
008	31209-PH9-004	BEARING A	1	
009	31210-PH9-004	BEARING B	1	
010	31211-PH9-004	BRUSH	4	
011	31212-PH9-004	SPRING, BRUSH	4	
012	31214-PH9-004	BOLT, THROUGH	2	
013	31217-Z0A-003	ARMATURE COMP.	1	
Ref	Partnumber	Description	GCV530	Serial Numbers
014	31218-P64-N01	YOKE COMP.	1	
015	31219-Z0A-003	FRAME COMP., COMMUTATOR END	1	
016	31220-PH9-004	NUT, HEX., 8MM	1	
017	31223-PA0-006	NUT, HEX.	2	
018	31231-PH9-004	HOLDER, BRUSH	1	
019	31233-PH9-004	INSULATOR, BRUSH HOLDER	1	
020	95701-1004000	BOLT, FLANGE, 10X40	2	



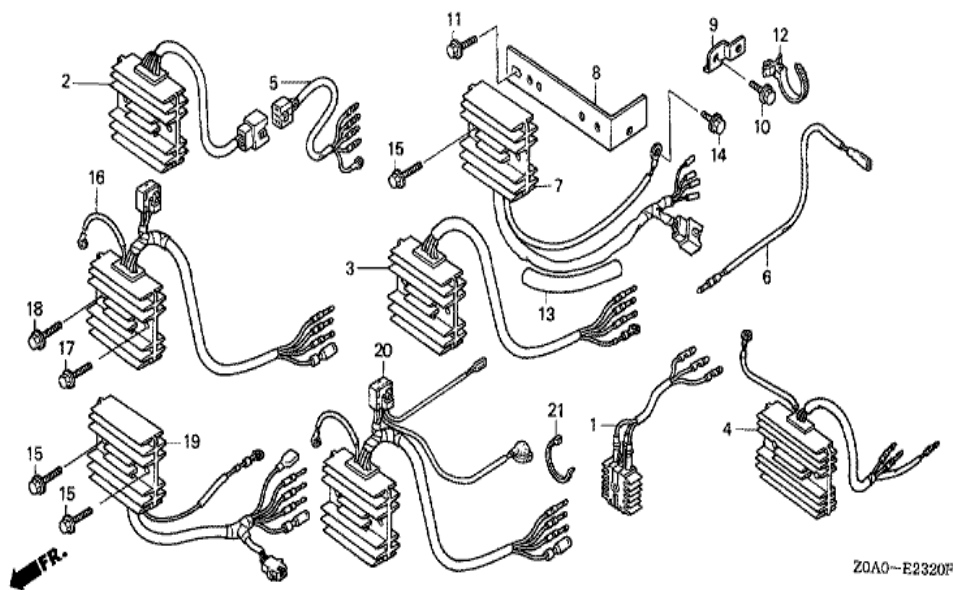
GCV530(DXA)	E-22 CONTROL
-------------	--------------



<u>Ref</u>	<u>Partnumber</u>	<u>Description</u>	<u>GCV530</u>	<u>Serial Numbers</u>
001	16263-ZJ7-871	ROD, JOINT	3	
002	16268-Z0A-300	SPRING, CHOKE RETURN	1	
004	16500-Z0A-800	CONTROL ASSY. (2-LEVER)	1	1026393
005	16534-Z0A-000	SPRING, STARTER	1	
006	16542-Z0A-000	FORK, GOVERNOR	1	
007	16550-Z0A-000	ARM COMP., GOVERNOR	1	
008	16555-Z0A-000	ROD, GOVERNOR	1	
009	16561-Z0A-000	SPRING, GOVERNOR	1	
010	16565-Z0A-000	LINK COMP., GOVERNOR	1	
011	16566-Z0A-000	ROD, GOVERNOR LINK	1	
013	16576-891-000	HOLDER, CABLE	2	1026393
014	16584-883-300	SPRING, CONTROL ADJUSTING	1	
015	90002-892-000	BOLT, FLANGE, 5X10	2	
<u>Ref</u>	<u>Partnumber</u>	<u>Description</u>	<u>GCV530</u>	<u>Serial Numbers</u>
016	90015-Z0A-000	BOLT, FLANGE, 6MM (CT200)	1	
017	90016-ZG9-N30	SCREW, RECESSED, 5X25	1	
018	93500-050160A	SCREW, PAN, 5X16	2	1026393
019	95701-0601000	BOLT, FLANGE, 6X10	1	
020	94101-06000	WASHER, PLAIN, 6MM	1	

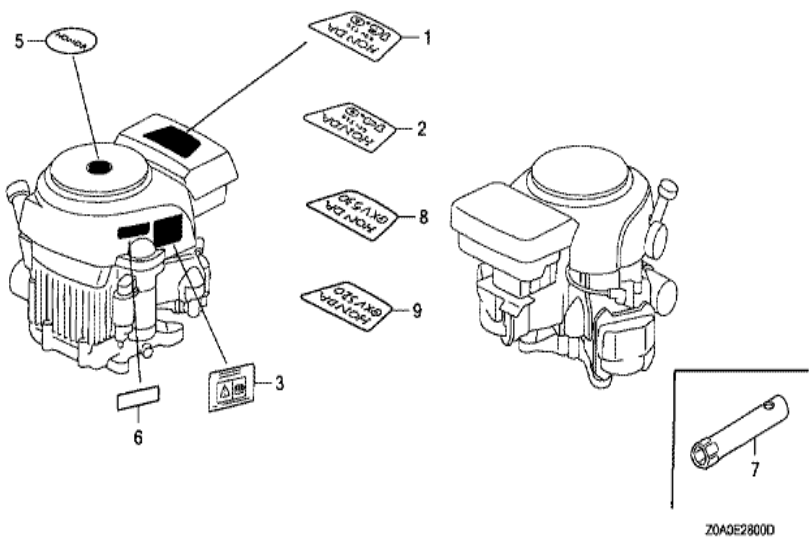
GCV530(DXA)

E-23-20 REGULATOR RECTIFIER/SUB WIRE HARNESS



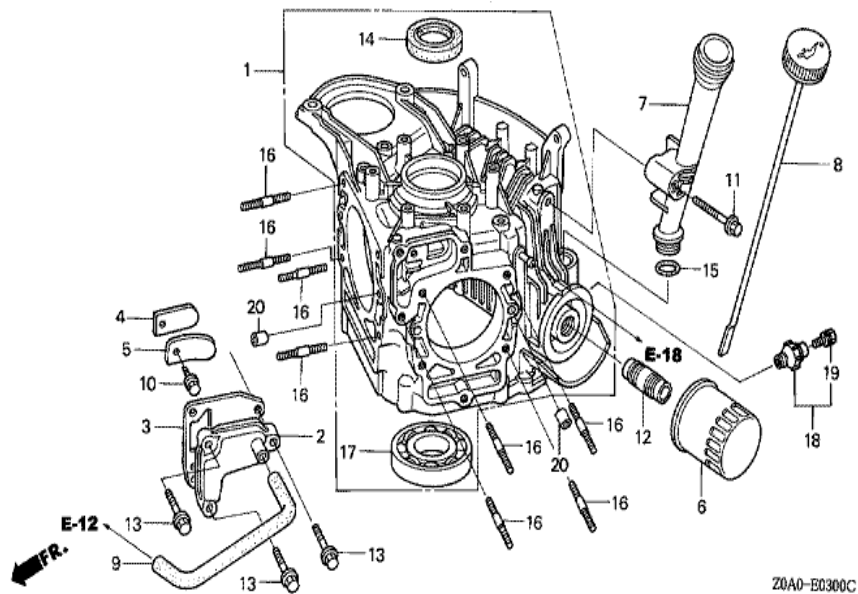
Ref	Partnumber	Description	GCV530	Serial Numbers
006	32105-Z0A-000	HARNESS ASSY., SUB WIRE	1	
009	35806-752-630	BASE, CLIP	1	
010	90013-883-000	BOLT, FLANGE, 6X12 (CT200)	1	
012	90672-SB2-003	STRAP, CABLE, 105MM (BLACK)	1	
013	91406-ZB3-740	TUBE, CORD	1	
016	31750-Z0A-801	RECTIFIER ASSY., REGULATOR	1	1017807
017	90121-952-000	BOLT, FLANGE, 6X25 (CT200)	1	
018	95701-0602500	BOLT, FLANGE, 6X25	1	

GCV530(DXA)	E-28 LABEL
-------------	------------



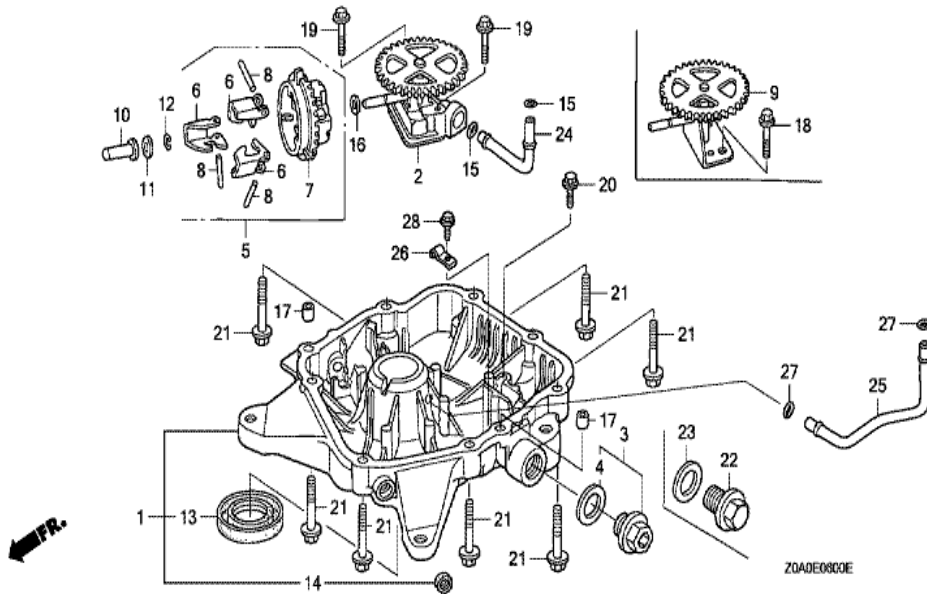
Ref	Partnumber	Description	GCV530	Serial Numbers
003	87516-Z0A-000	MARK, OPERATOR CAUTION	1	1018853

GCV530(DXA)	E-3 CRANKCASE
-------------	---------------



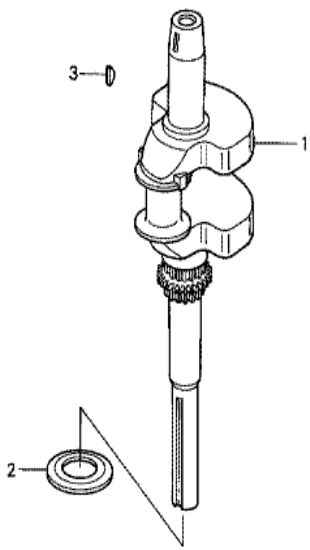
<u>Ref</u>	<u>Partnumber</u>	<u>Description</u>	<u>GCV530</u>	<u>Serial Numbers</u>
001	11100-ZOA-407	CRANKCASE ASSY.	1	1007410
001	11100-ZOA-417	CRANKCASE ASSY.	1	1003415
002	12356-ZOA-000	COVER, BREATHER	1	
003	12358-ZOA-000	PACKING, BREATHER COVER	1	
004	12372-ZAO-701	PLATE, VALVE	1	
005	12374-ZOA-000	STOPPER, VALVE	1	
006	15400-PFB-004	CARTRIDGE, OIL FILTER(TOYO ROKI)	1	
007	15631-ZOA-000	EXTENSION, OIL FILLER	1	
008	15655-ZOA-000	GAUGE COMP., OIL LEVEL	1	
009	15721-ZOA-000	TUBE, BREATHER	1	
010	90002-892-000	BOLT, FLANGE, 5X10	1	
011	90016-ZE8-000	BOLT, FLANGE, 6X45 (CT200)	1	
012	90018-PN3-000	HOLDER, OIL FILTER	1	
<u>Ref</u>	<u>Partnumber</u>	<u>Description</u>	<u>GCV530</u>	<u>Serial Numbers</u>
013	90121-952-000	BOLT, FLANGE, 6X25 (CT200)	3	
014	91201-ZE3-004	OIL SEAL, 35X52X8	1	
015	91301-ZE9-003	O-RING, 22.1X2.2	1	
016	92900-080280E	BOLT, STUD, 8X28	8	
017	96100-6207000	BEARING, RADIAL BALL, 6207	1	
020	94301-08140	DOWEL PIN, 8X14	4	

GCV530(DXA)	E-6 OIL PAN
-------------	-------------



<u>Ref</u>	<u>Partnumber</u>	<u>Description</u>	<u>GCV530</u>	<u>Serial Numbers</u>
001	11300-Z0A-801	PAN ASSY., OIL	1	
002	15100-Z0A-800	PUMP ASSY., OIL	1	1053499
005	16510-Z0A-000	GOVERNOR ASSY.	1	
006	16511-Z0A-000	WEIGHT, GOVERNOR	3	
007	16512-Z0A-000	HOLDER, GOVERNOR WEIGHT	1	
008	16513-ZE2-000	PIN, GOVERNOR WEIGHT	3	
010	16531-Z0A-000	SLIDER, GOVERNOR	1	
011	90473-147-000	WASHER, 6X16	1	
012	90602-ZE1-000	CLIP, GOVERNOR HOLDER	1	
013	91202-Z0A-003	OIL SEAL, 31X50X8	1	
014	91206-333-003	OIL SEAL, 10X16X4.5	1	
015	91301-Z0A-003	O-RING, 7.5X2.3	2	
015	91303-428-003	O-RING, 7.7X2.5	2	1007410
<u>Ref</u>	<u>Partnumber</u>	<u>Description</u>	<u>GCV530</u>	<u>Serial Numbers</u>
016	94101-06800	WASHER, PLAIN, 6MM	1	
017	94301-08140	DOWEL PIN, 8X14	2	
019	95701-0603000	BOLT, FLANGE, 6X30	2	
020	95701-0602200	BOLT, FLANGE, 6X22	1	
021	95701-0804000	BOLT, FLANGE, 8X40	7	

GCV530(DXA)	E-7 CRANKSHAFT
-------------	----------------

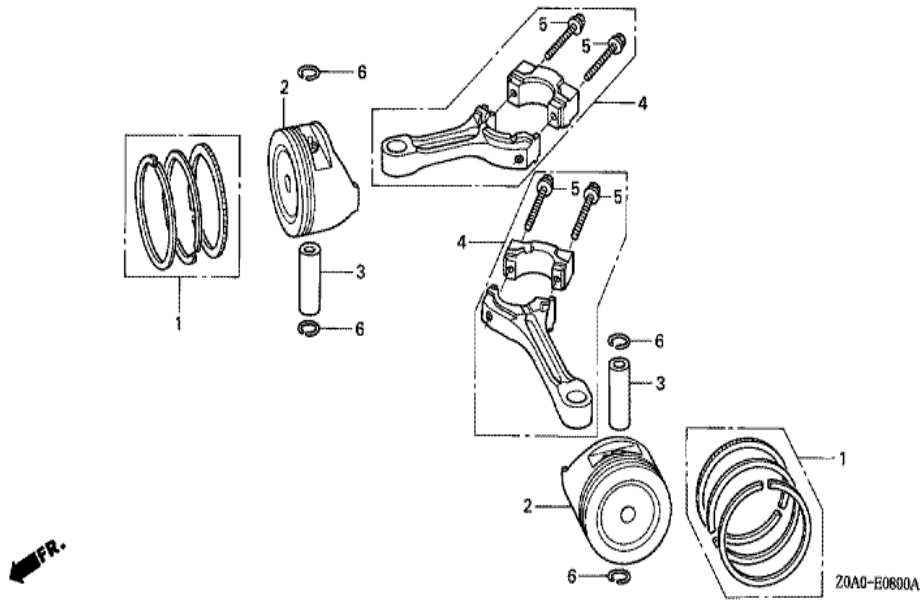


FR.

Z0A0-1E0700

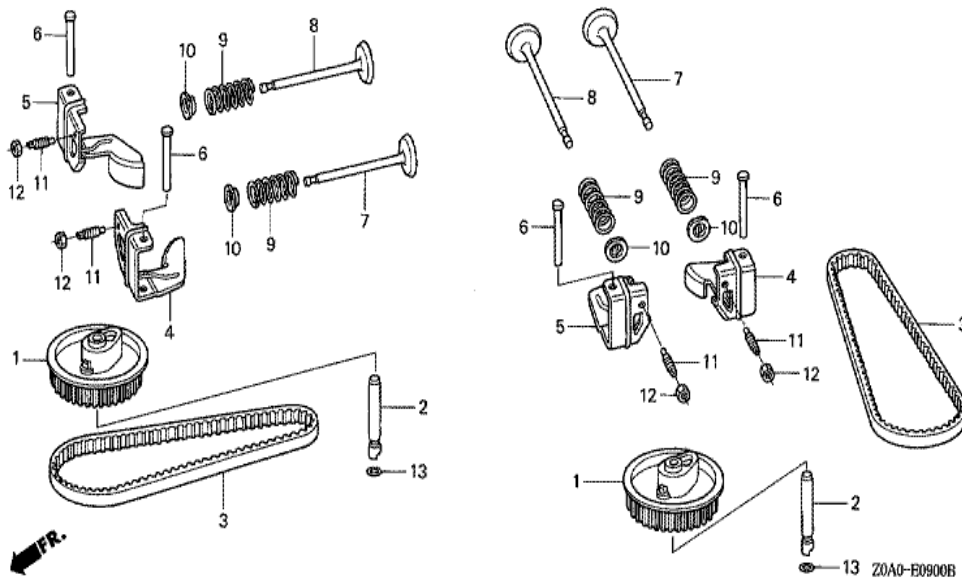
Ref	Partnumber	Description	GCV530	Serial Numbers
001	13310-Z0A-000	CRANKSHAFT COMP.	1	
002	90401-Z0A-000	WASHER, THRUST	1	
003	90741-ZE2-000	KEY, SPECIAL WOODRUFF, 25X18	1	

GCV530(DXA)	E-8 PISTON/CONNECTING ROD
-------------	---------------------------



Ref	Partnumber	Description	GCV530	Serial Numbers
001	13010-ZOA-003	RING SET, PISTON (STD.) (NIPPON)	2	1003415
001	13010-ZOA-014	RING SET, PISTON (STD.) (TEIKOKU)	2	
001	13010-ZJ1-841	RING SET, PISTON (STD.) (NIPPON)	2	1003414
002	13101-ZOA-800	PISTON (STD.)	2	
003	13111-ZJ1-840	PIN, PISTON	2	
004	13200-ZOA-003	ROD ASSY., CONNECTING	2	
005	90001-ZN1-000	BOLT, CONNECTING ROD, 6X37	4	
006	90551-ZE1-000	CLIP, PISTON PIN, 18MM	4	

GCV530(DXA)	E-9 CAMSHAFT
-------------	--------------



Ref	Partnumber	Description	GCV530	Serial Numbers
001	14320-Z0A-000	PULLEY COMP., CAMSHAFT	2	
002	14324-ZL8-000	SHAFT, CAM PULLEY	2	
003	14400-Z0A-003	BELT, TIMING (97HU8 G-200)	2	
004	14431-Z0A-000	ARM, IN. VALVE ROCKER	2	
005	14441-Z0A-000	ARM, EX. VALVE ROCKER	2	
006	14461-Z0A-000	SHAFT, ROCKER ARM	4	
007	14711-Z0A-000	VALVE, IN.	2	
008	14721-Z0A-000	VALVE, EX.	2	
009	14751-ZE1-000	SPRING, VALVE	4	
010	14771-ZE1-000	RETAINER, IN. VALVE SPRING	4	
011	90012-333-000	SCREW, TAPPET ADJUSTING	4	
012	90206-001-000	NUT, TAPPET ADJUSTING	4	
013	91301-ZM0-V31	O-RING, 6.8X1.9 (ARAI)	2	