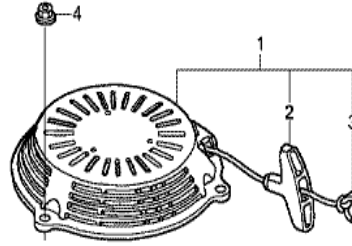
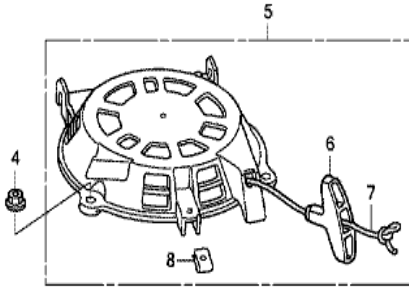


Z8D0E1000

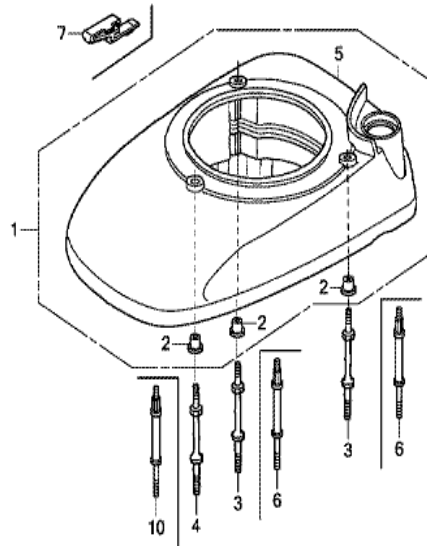
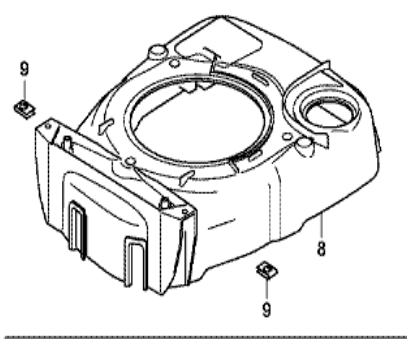
<u>Ref</u>	<u>Partnumber</u>	<u>Description</u>	<u>GCV190LA</u>	<u>Serial Numbers</u>
001	12209-Z8B-003	SEAL, VALVE STEM	1	
002	14320-Z8D-000	PULLEY COMP., CAMSHAFT	1	
003	14324-Z8B-000	SHAFT, CAM PULLEY	1	
004	14400-Z8B-003	BELT, TIMING (84HU6 G-200)	1	
005	14431-Z0J-000	ARM, IN. VALVE ROCKER	1	
006	14441-Z0J-000	ARM, EX. VALVE ROCKER	1	
007	14461-ZL8-000	SHAFT, ROCKER ARM	2	
008	14711-Z0J-800	VALVE, IN.	1	
008	14711-ZL8-000	VALVE, IN. (TECHNOSTAR)	1	
009	14721-Z8B-000	VALVE, EX. (C8E)	1	
009	14721-ZL8-000	VALVE, EX. (L8E)	1	
010	14751-ZL8-000	SPRING, VALVE	2	
011	14771-Z0J-000	RETAINER, VALVE SPRING	2	
<u>Ref</u>	<u>Partnumber</u>	<u>Description</u>	<u>GCV190LA</u>	<u>Serial Numbers</u>
012	90012-333-000	SCREW, TAPPET ADJUSTING	2	
013	90206-001-000	NUT, TAPPET ADJUSTING	2	
014	91301-ZM0-V31	O-RING, 6.8X1.9 (ARAI)	1	

FR.



Z800E1100B

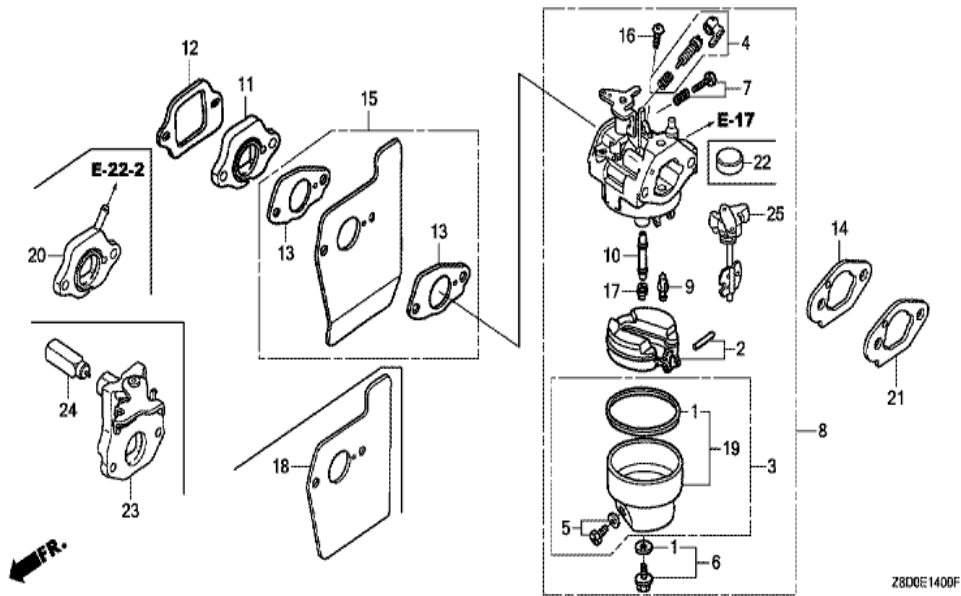
Ref	Partnumber	Description	GCV190LA	Serial Numbers
004	90201-ZM0-000	NUT, FLANGE, 6MM	3	
005	28400-Z8B-V41	STARTER ASSY., RECOIL (LONG ROPE)	1	
006	28461-ZL8-003	GRIP, STARTER	1	
007	28462-ZL8-631	ROPE, RECOIL STARTER (LONG TYPE)	1	
008	66871-611-000	NUT, CENTER PANEL	1	



Z8DGE1200E

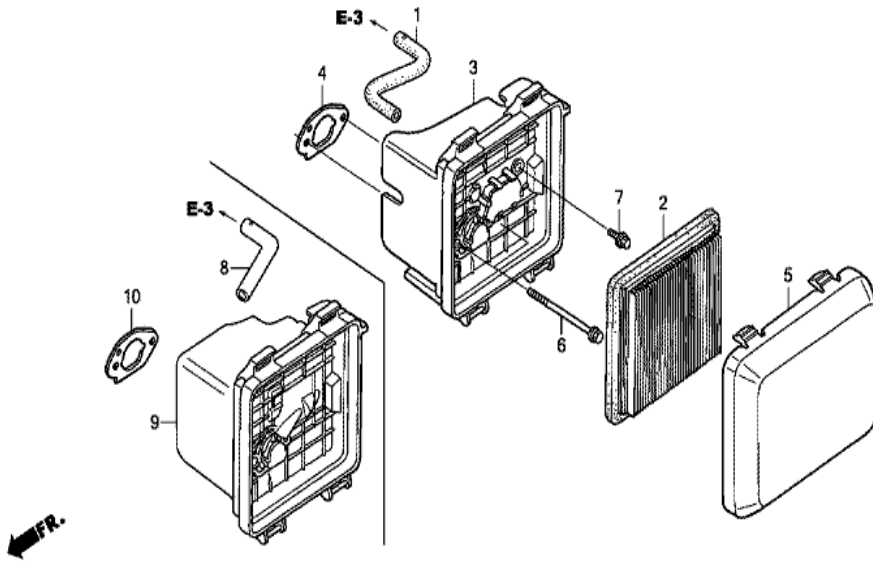


Ref	Partnumber	Description	GCV190LA	Serial Numbers
006	90043-Z8D-010	BOLT, STUD (FAN COVER)	2	
006	90043-Z8D-010	BOLT, STUD (FAN COVER)	2	
007	17516-Z8B-900ZD	CLIP, TANK MOUNTING *NH1*	1	
008	19611-Z8B-V40ZC	COVER, FAN *NH1*	1	
009	66871-611-000	NUT, CENTER PANEL	2	
010	90043-Z8D-010	BOLT, STUD (FAN COVER)	1	



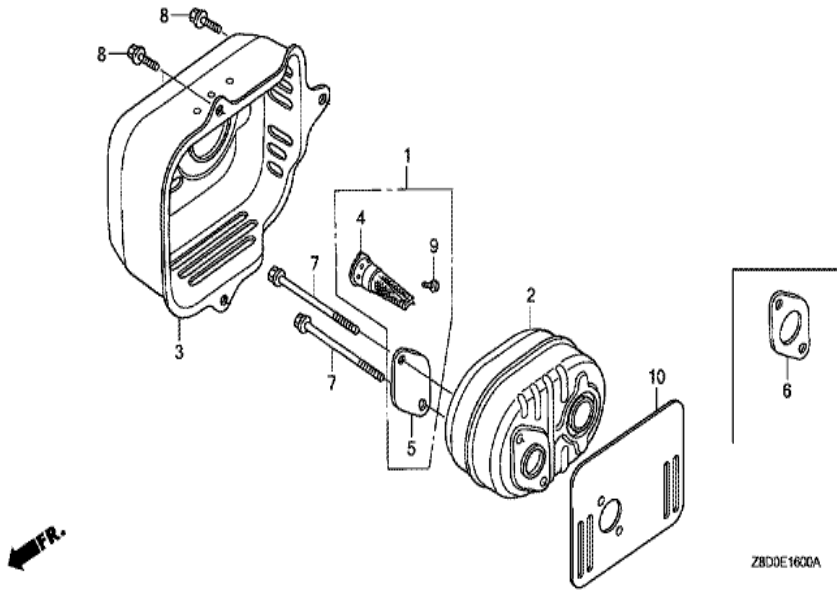
Z8D0E1400F

Ref	Partnumber	Description	GCV190LA	Serial Numbers
001	16010-883-015	PACKING SET	1	
002	16013-ZL1-003	FLOAT SET	1	
004	16016-ZG0-W00	SCREW SET	1	
006	16028-ZE0-005	SCREW SET	1	
007	16029-ZG0-901	SCREW SET (THROTTLE STOP)	1	
008	16100-Z0Y-M42	CARBURETOR ASSY. (BB75F B)	1	
008	16100-Z0Y-M42	CARBURETOR ASSY. (BB75F B)	1	
009	16155-ZM0-013	VALVE, FLOAT	1	
010	16166-Z0Y-003	NOZZLE, MAIN	1	
012	16212-ZL8-000	PACKING, INSULATOR	1	
016	93500-050061H	SCREW, PAN, 5X6	1	
017	99101-1240620	JET, MAIN, #62	(1)	
017	99101-1240650	JET, MAIN, #65	(1)	
Ref	Partnumber	Description	GCV190LA	Serial Numbers
017	99101-1240650	JET, MAIN, #65	(1)	
017	99101-1240680	JET, MAIN, #68	1	
017	99101-1240680	JET, MAIN, #68	1	
018	19651-Z0L-000	GUIDE, AIR	1	
019	16015-Z0L-881	CHAMBER SET, FLOAT	1	
022	16148-Z1L-851	CAP, CHOKE DUST	1	
023	16600-Z8D-840	CONTROL ASSY., CHOKE	1	
024	16620-Z8D-842	THERMOWAX ASSY.	1	

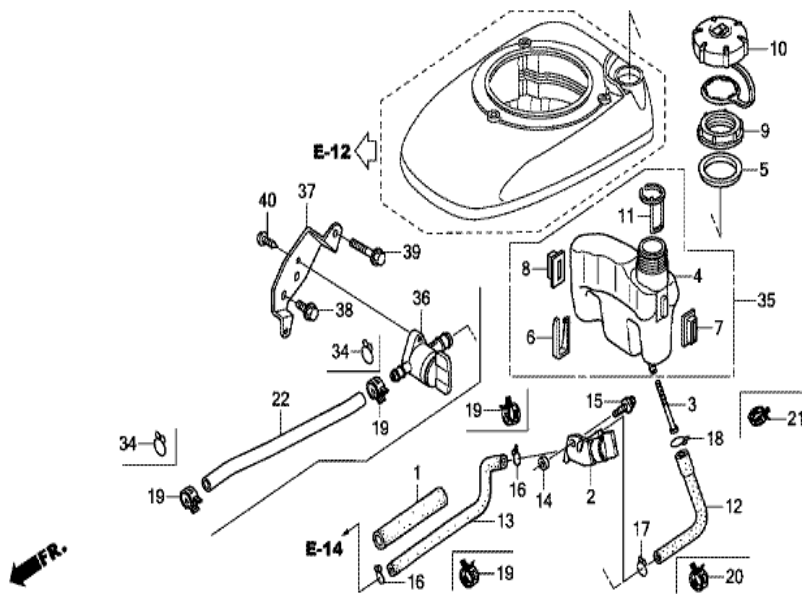


Z800E1500A

Ref	Partnumber	Description	GCV190LA	Serial Numbers
001	15721-ZM0-000	TUBE, BREATHER	1	
002	17211-ZL8-023	ELEMENT, AIR CLEANER (TOYO ROKI)	1	
003	17220-Z8B-000	CASE ASSY., AIR CLEANER	1	
004	17228-Z8B-900	PACKING, AIR CLEANER	1	
005	17231-ZOL-050	COVER, AIR CLEANER	1	
006	90003-Z8B-900	BOLT, SPECIAL, 6MM	2	

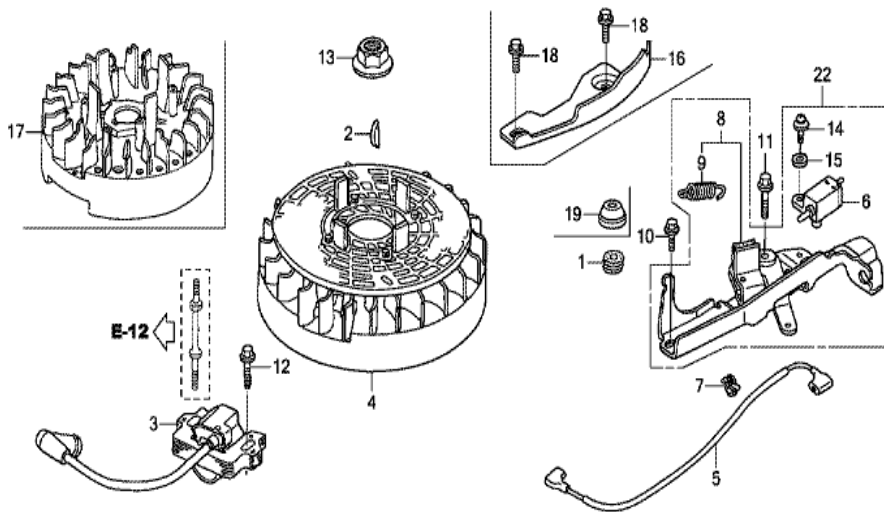


Ref	Partnumber	Description	GCV190LA	Serial Numbers
001	06180-Z0J-000	ARRESTER KIT, SPARK	(1)	
002	18310-Z0Y-010	MUFFLER COMP.	1	
003	18321-Z0L-J01	PROTECTOR, MUFFLER	1	
004	18350-ZL8-000	ARRESTER COMP., SPARK	(1)	
005	18356-ZL8-000	PLATE, ARRESTER NUMBER	(1)	
006	18381-ZL8-305	GASKET, MUFFLER	(1)	
007	90004-ZL8-000	BOLT, FLANGE, 6X79 (CT200)	2	
008	90013-883-000	BOLT, FLANGE, 6X12 (CT200)	3	
009	90055-ZE1-000	SCREW, TAPPING, 4X6	(1)	



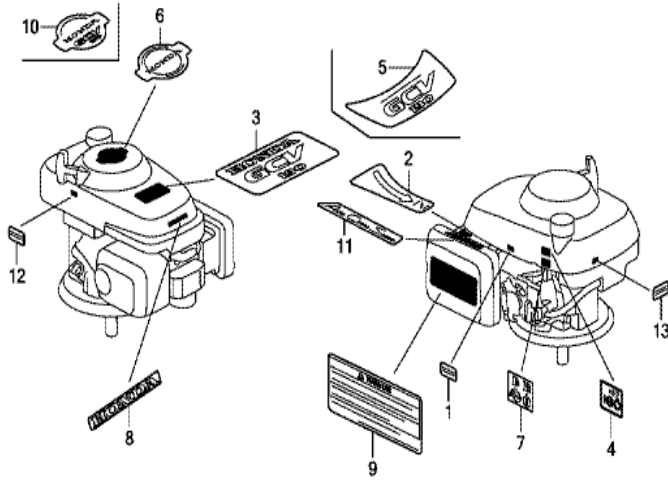
Z800E1700D

<u>Ref</u>	<u>Partnumber</u>	<u>Description</u>	<u>GCV190LA</u>	<u>Serial Numbers</u>
003	16952-Z8B-000	STRAINER, FUEL	1	
004	17511-Z8B-800	TANK, FUEL	1	
004	17511-Z8B-800	TANK, FUEL	1	
005	17514-Z0L-000	SEAL, FUEL FILLER NECK	1	
009	17534-Z0L-000	NUT, TANK MOUNTING	1	
010	17620-Z0J-800	CAP ASSY., FUEL TANK	1	
012	91427-Z8B-901	TUBE, FUEL, 7.3X160	1	
017	95002-02130	CLIP, TUBE (B12.5)	1	
018	95002-02130	CLIP, TUBE (B12.5)	1	
022	91424-Z8B-901	TUBE, FUEL, 4.5X110	1	
034	95002-50000	CLIP, TUBE (C9)	2	
036	16950-Z0Y-003	COCK ASSY., FUEL	1	
037	16961-Z0L-900	STAY, FUEL COCK	1	
<u>Ref</u>	<u>Partnumber</u>	<u>Description</u>	<u>GCV190LA</u>	<u>Serial Numbers</u>
038	90013-883-000	BOLT, FLANGE, 6X12 (CT200)	1	
039	90015-883-000	BOLT, FLANGE, 6X28 (CT200)	1	
040	93913-25220	SCREW, TAPPING, 5X12 (PO)	1	



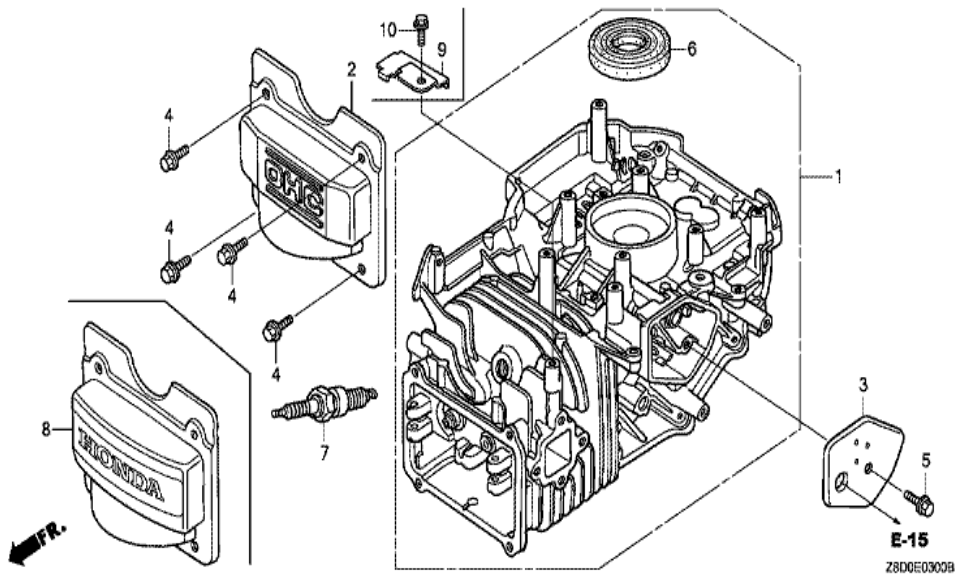
Z8DGE190DC

<u>Ref</u>	<u>Partnumber</u>	<u>Description</u>	<u>GCV190LA</u>	<u>Serial Numbers</u>
002	13331-Z8B-900	KEY, SPECIAL WOODRUFF, 25X18	1	
003	30500-ZL8-014	COIL ASSY., IGNITION (TEC) (USE FOR F/W	1	
004	31105-Z0Y-800	FLYWHEEL ASSY. (TEC) (USE FOR IGN. COIL	1	
005	32195-Z0L-000	CORD, STOP SWITCH	1	
006	35120-ZM0-003	SWITCH ASSY., ENGINE STOP (N.C)	1	
007	51125-Z0L-003	HOLDER, WIRE (FASTEX)	1	
007	90681-959-003	CLIP A, CABLE (NIFCO) (3.8MM BLACK)	1	
008	75110-Z0L-901	BRAKE SUB ASSY.	1	
009	75113-ZM0-000	SPRING, BRAKE LEVER	1	
010	90014-952-000	BOLT, FLANGE, 6X14 (CT200)	1	
011	90018-ZE1-000	BOLT, FLANGE, 6X23 (CT200)	1	
012	90018-ZE1-000	BOLT, FLANGE, 6X23 (CT200)	1	
013	90213-S3Y-000	NUT, FLANGE, 14MM	1	
<u>Ref</u>	<u>Partnumber</u>	<u>Description</u>	<u>GCV190LA</u>	<u>Serial Numbers</u>
014	93892-0401200	SCREW-WASHER, 4X12	1	
015	94103-04000	WASHER, PLAIN, 4MM	1	
022	75100-Z0L-901	BRAKE ASSY.	1	

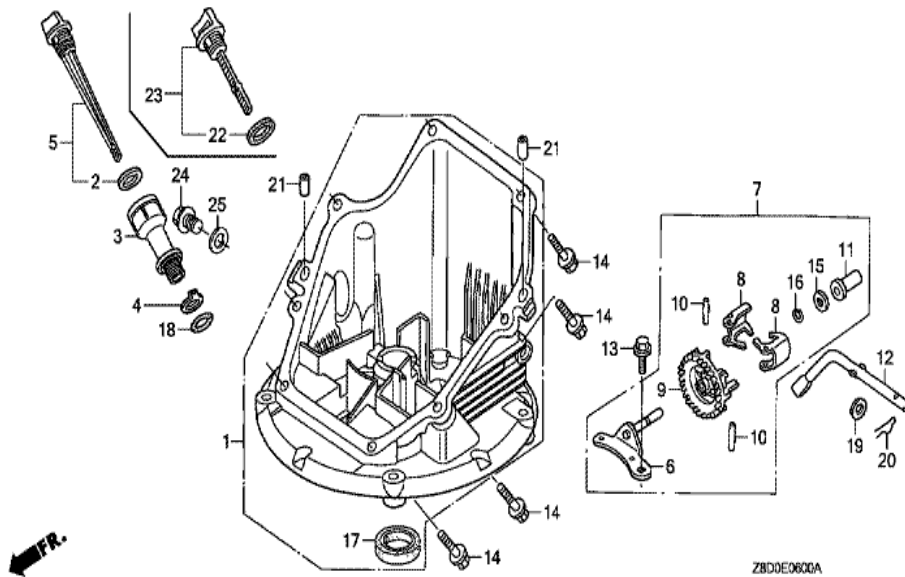


Z800E2800G

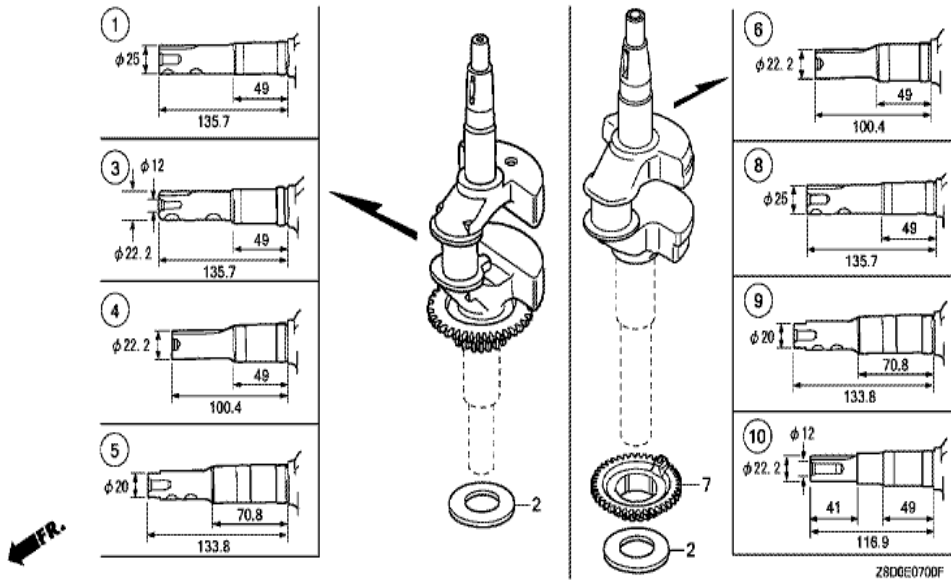
Ref	Partnumber	Description	GCV190LA	Serial Numbers
009	87516-Z0J-000	MARK, OPERATOR CAUTION (ENGLISH)	1	
013	87114-ZH7-821	LABEL, WARNING (NOT CERTIFIED FOR SALE)	1	



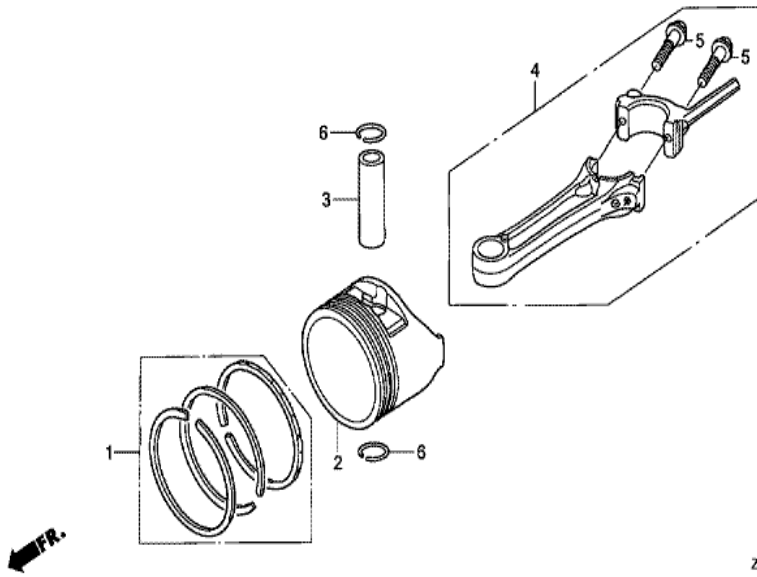
Ref	Partnumber	Description	GCV190LA	Serial Numbers
001	12000-Z8D-405	BARREL ASSY., CYLINDER	1	
003	12355-ZL8-000	COVER COMP., BREATHER	1	
004	90013-883-000	BOLT, FLANGE, 6X12 (CT200)	4	
005	90014-952-000	BOLT, FLANGE, 6X14 (CT200)	1	
006	91201-Z0Y-003	OIL SEAL, 25.4X62X6	1	
007	98079-55846	PLUG, SPARK (BPR5ES) (NGK)	1	
008	12311-Z8B-000	COVER, HEAD	1	
009	16384-Z8B-000	BRACKET, REGULATOR	1	
010	90014-952-000	BOLT, FLANGE, 6X14 (CT200)	1	



<u>Ref</u>	<u>Partnumber</u>	<u>Description</u>	<u>GCV190LA</u>	<u>Serial Numbers</u>
001	11300-Z0Y-405	PAN ASSY., OIL	1	
002	15625-ZE6-000	PACKING, OIL FILLER CAP	1	
003	15631-ZM0-000	EXTENSION, OIL FILLER	1	
004	15639-ZM0-000	WASHER, EXTENSION LOCK	1	
005	15650-ZM0-801	GAUGE ASSY., OIL LEVEL	1	
006	16508-Z8B-003	SHAFT COMP., GOVERNOR HOLDER	1	
007	16510-Z8B-000	GOVERNOR ASSY.	1	
008	16511-ZL8-000	WEIGHT, GOVERNOR	2	
009	16512-ZM0-000	HOLDER, GOVERNOR WEIGHT	1	
010	16513-ZE1-000	PIN, GOVERNOR WEIGHT	2	
011	16531-ZE1-000	SLIDER, GOVERNOR	1	
012	16541-Z8B-000	SHAFT, GOVERNOR ARM	1	
013	90014-952-000	BOLT, FLANGE, 6X14 (CT200)	1	
<u>Ref</u>	<u>Partnumber</u>	<u>Description</u>	<u>GCV190LA</u>	<u>Serial Numbers</u>
014	90121-952-000	BOLT, FLANGE, 6X25 (CT200)	8	
015	90451-ZE1-000	WASHER, THRUST, 6MM	1	
016	90602-ZE1-000	CLIP, GOVERNOR HOLDER	1	
017	91202-ZL8-003	OIL SEAL, 28X41.25X6	1	
018	91303-KF0-003	O-RING, 14.8X2.4 (ARAI)	1	
019	94101-06800	WASHER, PLAIN, 6MM	1	
020	94251-08000	PIN, LOCK, 8MM	1	
021	90701-Z8B-000	DOWEL PIN, 8X20	2	



Ref	Partnumber	Description	GCV190LA	Serial Numbers
002	90402-ZL8-000	WASHER, THRUST	1	
002	90402-ZL8-000	WASHER, THRUST	1	
007	13621-Z8B-900	PULLEY, TIMING BELT DRIVE	1	
008	13311-Z8D-900	CRANKSHAFT	1	



Z8D0E0800

Ref	Partnumber	Description	GCV190LA	Serial Numbers
001	13010-ZOY-014	RING SET, PISTON (STD.) (TEIKOKU)	1	
002	13101-Z8D-820	PISTON	1	
002	13101-Z8D-820	PISTON	1	
003	13111-Z8D-000	PIN, PISTON	1	
004	13200-ZOY-010	ROD ASSY., CONNECTING	1	
005	90006-Z8B-000	BOLT, CONNECTING ROD	2	
006	90551-ZE0-000	CLIP, PISTON PIN, 13MM	2	