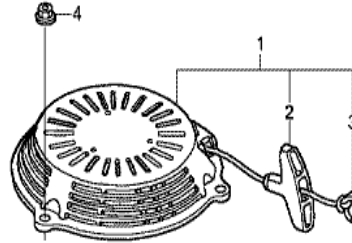
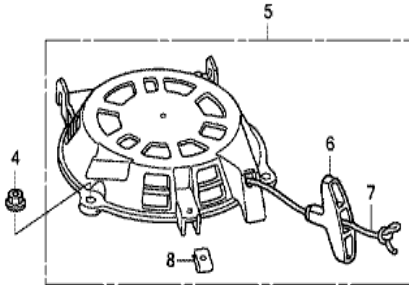


Z8D0E1000

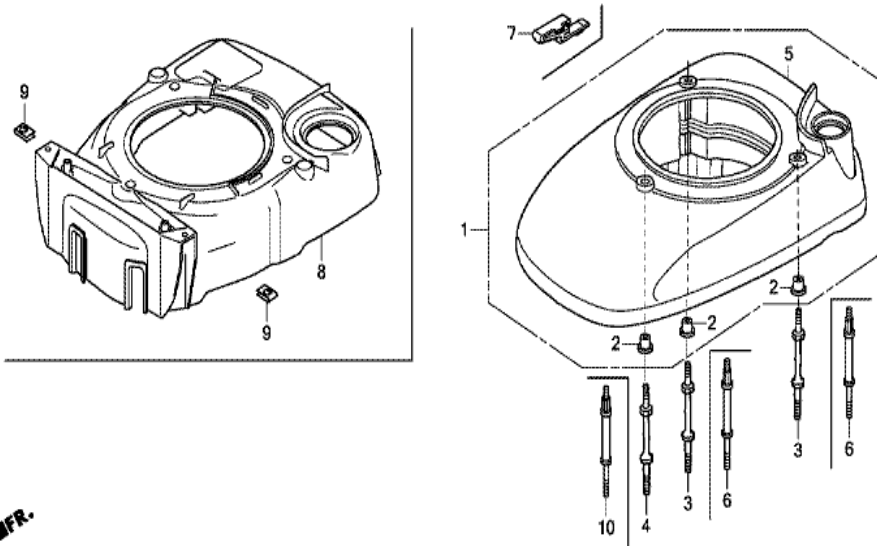
| <u>Ref</u> | <u>Partnumber</u> | <u>Description</u>         | <u>GCV190LA</u> | <u>Serial Numbers</u> |
|------------|-------------------|----------------------------|-----------------|-----------------------|
| 001        | 12209-ZM0-003     | SEAL, VALVE STEM           | 1               |                       |
| 001        | 12209-ZM0-003     | SEAL, VALVE STEM           | 1               |                       |
| 002        | 14320-ZOY-000     | PULLEY COMP., CAMSHAFT     | 1               |                       |
| 003        | 14324-ZL8-000     | SHAFT, CAM PULLEY          | 1               |                       |
| 003        | 14324-ZL8-000     | SHAFT, CAM PULLEY          | 1               |                       |
| 004        | 14400-ZOJ-014     | BELT, TIMING (84HU7 G-200) | 1               |                       |
| 005        | 14431-ZOJ-000     | ARM, IN. VALVE ROCKER      | 1               |                       |
| 006        | 14441-ZOJ-000     | ARM, EX. VALVE ROCKER      | 1               |                       |
| 007        | 14461-ZL8-000     | SHAFT, ROCKER ARM          | 2               |                       |
| 008        | 14711-ZOJ-800     | VALVE, IN.                 | 1               |                       |
| 008        | 14711-ZL8-000     | VALVE, IN. (TECHNOSTAR)    | 1               |                       |
| 008        | 14711-ZL8-000     | VALVE, IN. (TECHNOSTAR)    | 1               |                       |
| 009        | 14721-ZL8-000     | VALVE, EX. (L8E)           | 1               |                       |
| <u>Ref</u> | <u>Partnumber</u> | <u>Description</u>         | <u>GCV190LA</u> | <u>Serial Numbers</u> |
| 009        | 14721-ZL8-000     | VALVE, EX. (L8E)           | 1               |                       |
| 010        | 14751-ZL8-000     | SPRING, VALVE              | 2               |                       |
| 011        | 14771-ZOJ-000     | RETAINER, VALVE SPRING     | 2               |                       |
| 012        | 90012-333-000     | SCREW, TAPPET ADJUSTING    | 2               |                       |
| 013        | 90206-001-000     | NUT, TAPPET ADJUSTING      | 2               |                       |
| 014        | 91301-ZM0-V31     | O-RING, 6.8X1.9 (ARAI)     | 1               |                       |

FR.



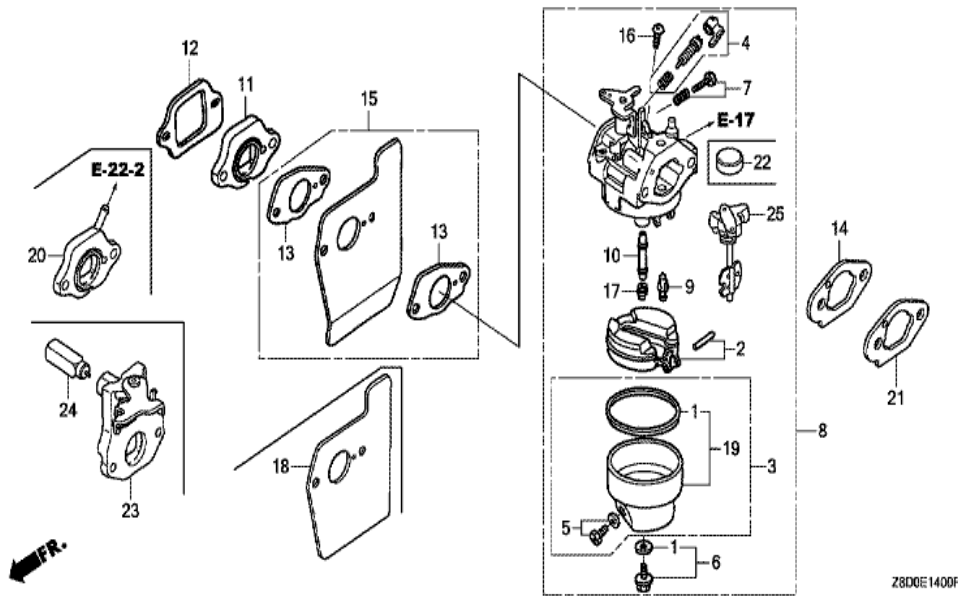
Z800E1100B

| Ref | Partnumber      | Description                  | GCV190LA | Serial Numbers |
|-----|-----------------|------------------------------|----------|----------------|
| 001 | 28400-Z1A-013ZA | STARTER ASSY., RECOIL *NH1 * | 1        |                |
| 001 | 28400-Z1A-013ZA | STARTER ASSY., RECOIL *NH1 * | 1        |                |
| 002 | 28461-ZL8-003   | GRIP, STARTER                | 1        |                |
| 003 | 28462-ZL8-003   | ROPE, RECOIL STARTER         | 1        |                |
| 003 | 28462-ZL8-003   | ROPE, RECOIL STARTER         | 1        |                |
| 004 | 90201-ZM0-000   | NUT, FLANGE, 6MM             | 3        |                |



Z8D0E1200E

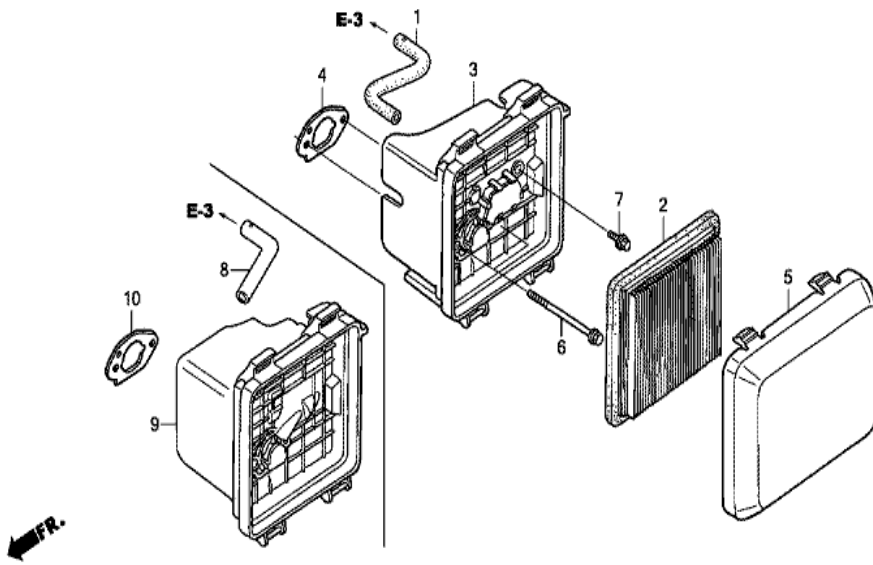
| Ref | Partnumber      | Description            | GCV190LA | Serial Numbers  |
|-----|-----------------|------------------------|----------|-----------------|
| 001 | 19610-Z0L-851ZA | COVER COMP., FAN *NH1* | 1        | 6595797         |
| 001 | 19610-Z0L-851ZA | COVER COMP., FAN *NH1* | 1        | 6595797         |
| 002 | 19619-ZL8-300   | COLLAR, FAN COVER      | 3        | 6595797         |
| 003 | 90043-Z8B-000   | BOLT, STUD (FAN COVER) | 2        | 2528755 6595797 |
| 003 | 90043-Z8B-000   | BOLT, STUD (FAN COVER) | 2        | 2528755 6595797 |
| 003 | 90043-ZL8-000   | BOLT, STUD (H=42.5MM)  | 2        |                 |
| 003 | 90043-ZL8-000   | BOLT, STUD (H=42.5MM)  | 2        |                 |
| 003 | 90043-ZL8-000   | BOLT, STUD (H=42.5MM)  | 2        | 2528754         |
| 003 | 90043-ZL8-000   | BOLT, STUD (H=42.5MM)  | 2        | 2528754         |
| 004 | 90043-Z0J-900   | BOLT, STUD (H=39.5MM)  | 1        | 2528754         |
| 004 | 90043-Z0J-900   | BOLT, STUD (H=39.5MM)  | 1        | 1774627 2528754 |
| 004 | 90043-Z8B-900   | BOLT, STUD (FAN COVER) | 1        | 2528755 6595797 |
| 004 | 90043-Z8B-900   | BOLT, STUD (FAN COVER) | 1        | 2528755 6595797 |
| Ref | Partnumber      | Description            | GCV190LA | Serial Numbers  |
| 005 | 19611-Z0L-850ZA | COVER, FAN *NH1*       | 1        | 6595798         |
| 005 | 19611-Z0L-850ZA | COVER, FAN *NH1*       | 1        | 6595798         |
| 006 | 90043-Z8D-000   | BOLT, STUD (FAN COVER) | 2        | 6595798         |
| 006 | 90043-Z8D-000   | BOLT, STUD (FAN COVER) | 2        | 6595798         |
| 010 | 90043-Z8D-900   | BOLT, STUD (FAN COVER) | 1        | 6595798         |



Z8D0E1400F

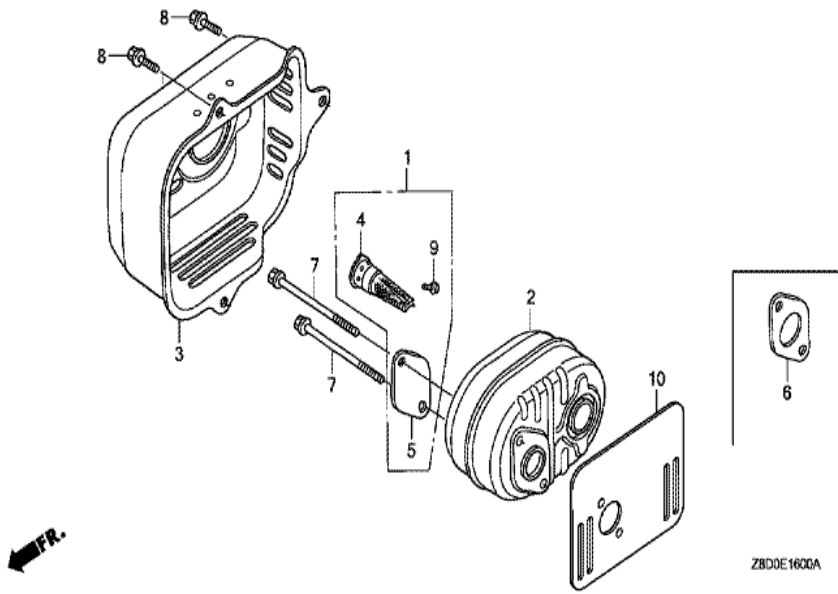
| Ref | Partnumber    | Description                | GCV190LA | Serial Numbers |
|-----|---------------|----------------------------|----------|----------------|
| 001 | 16010-883-015 | PACKING SET                | 1        |                |
| 002 | 16013-ZL1-003 | FLOAT SET                  | 1        |                |
| 004 | 16016-ZG0-W00 | SCREW SET                  | 1        |                |
| 006 | 16028-ZE0-005 | SCREW SET                  | 1        |                |
| 007 | 16029-ZG0-901 | SCREW SET (THROTTLE STOP)  | 1        |                |
| 008 | 16100-Z8D-801 | CARBURETOR ASSY. (BB65S A) | 1        |                |
| 008 | 16100-Z8D-801 | CARBURETOR ASSY. (BB65S A) | 1        |                |
| 008 | 16100-Z8D-801 | CARBURETOR ASSY. (BB65S A) | 1        |                |
| 008 | 16100-Z8D-801 | CARBURETOR ASSY. (BB65S A) | 1        |                |
| 008 | 16100-Z8D-801 | CARBURETOR ASSY. (BB65S A) | 1        |                |
| 008 | 16100-Z8D-801 | CARBURETOR ASSY. (BB65S A) | 1        |                |
| 008 | 16100-Z8D-801 | CARBURETOR ASSY. (BB65S A) | 1        |                |
| 009 | 16155-ZM0-013 | VALVE, FLOAT               | 1        |                |
| 010 | 16166-ZOY-003 | NOZZLE, MAIN               | 1        |                |

| <u>Ref</u> | <u>Partnumber</u> | <u>Description</u>    | <u>GCV190LA</u> | <u>Serial Numbers</u> |
|------------|-------------------|-----------------------|-----------------|-----------------------|
| 012        | 16212-ZL8-000     | PACKING, INSULATOR    | 1               |                       |
| 014        | 16228-ZL8-000     | PACKING, CARBURETOR   | 1               |                       |
| 014        | 16228-ZL8-000     | PACKING, CARBURETOR   | 1               |                       |
| 016        | 93500-050061H     | SCREW, PAN, 5X6       | 1               |                       |
| 016        | 93500-050061H     | SCREW, PAN, 5X6       | 1               | BB65M B               |
| 017        | 99101-1240620     | JET, MAIN, #62        | (1)             |                       |
| 017        | 99101-1240620     | JET, MAIN, #62        | (1)             |                       |
| 017        | 99101-1240650     | JET, MAIN, #65        | (1)             |                       |
| 017        | 99101-1240650     | JET, MAIN, #65        | (1)             |                       |
| 017        | 99101-1240650     | JET, MAIN, #65        | (1)             |                       |
| 017        | 99101-1240650     | JET, MAIN, #65        | (1)             |                       |
| 017        | 99101-1240680     | JET, MAIN, #68        | 1               |                       |
| 017        | 99101-1240680     | JET, MAIN, #68        | 1               |                       |
| 017        | 99101-1240680     | JET, MAIN, #68        | 1               |                       |
| 017        | 99101-1240680     | JET, MAIN, #68        | 1               |                       |
| 017        | 99101-1240680     | JET, MAIN, #68        | 1               | BB71A A               |
| 018        | 19651-ZOL-000     | GUIDE, AIR            | 1               |                       |
| 019        | 16015-ZOL-881     | CHAMBER SET, FLOAT    | 1               |                       |
| 020        | 16211-Z8D-800     | INSULATOR, CARBURETOR | 1               |                       |
| 021        | 16221-ZOL-900     | SPACER, CARBURETOR    | 1               |                       |

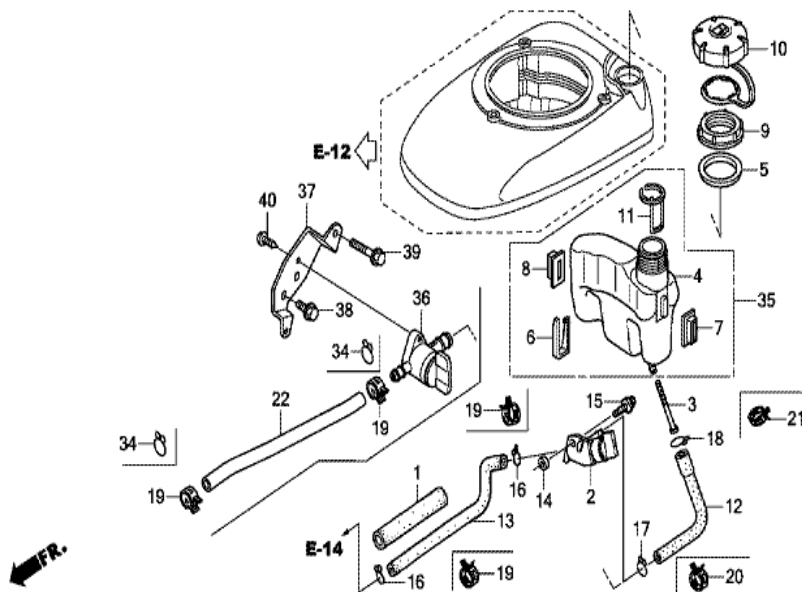


Z800E1500A

| Ref | Partnumber    | Description                      | GCV190LA | Serial Numbers |
|-----|---------------|----------------------------------|----------|----------------|
| 001 | 15721-ZM0-000 | TUBE, BREATHER                   | 1        |                |
| 002 | 17211-ZL8-023 | ELEMENT, AIR CLEANER (TOYO ROKI) | 1        |                |
| 002 | 17211-ZL8-023 | ELEMENT, AIR CLEANER (TOYO ROKI) | 1        |                |
| 003 | 17220-ZM0-030 | CASE ASSY., AIR CLEANER          | 1        |                |
| 003 | 17220-ZM0-030 | CASE ASSY., AIR CLEANER          | 1        |                |
| 003 | 17220-ZM0-030 | CASE ASSY., AIR CLEANER          | 1        |                |
| 004 | 17228-ZM0-000 | PACKING, AIR CLEANER             | 1        |                |
| 004 | 17228-ZM0-000 | PACKING, AIR CLEANER             | 1        |                |
| 004 | 17228-ZM0-000 | PACKING, AIR CLEANER             | 1        |                |
| 005 | 17231-ZOL-050 | COVER, AIR CLEANER               | 1        |                |
| 006 | 90003-Z8B-900 | BOLT, SPECIAL, 6MM               | 2        |                |
| 006 | 90003-ZM0-010 | BOLT, FLANGE, 6X85 (CT200)       | 2        |                |
| 006 | 90003-ZM0-010 | BOLT, FLANGE, 6X85 (CT200)       | 2        |                |



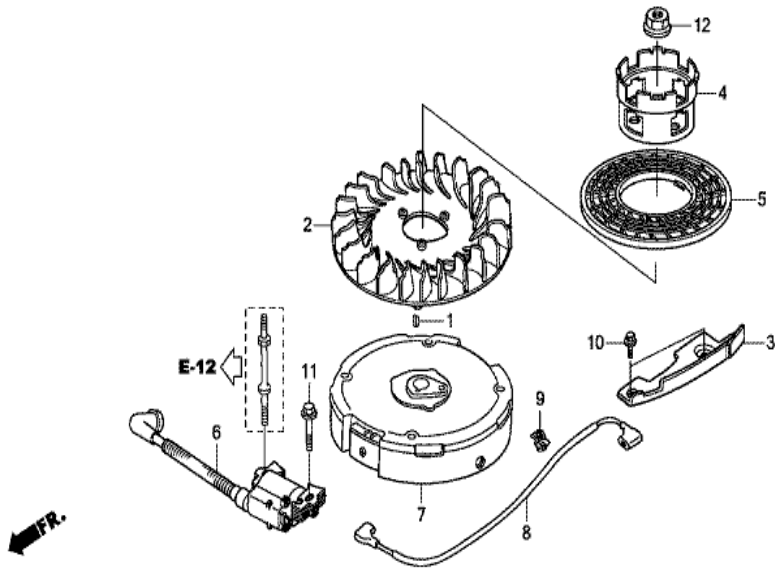
| Ref | Partnumber    | Description                | GCV190LA | Serial Numbers |
|-----|---------------|----------------------------|----------|----------------|
| 001 | 06180-Z0J-000 | ARRESTER KIT, SPARK        | (1)      |                |
| 002 | 18310-Z0Y-000 | MUFFLER COMP.              | 1        |                |
| 003 | 18321-Z0L-010 | PROTECTOR, MUFFLER         | 1        |                |
| 003 | 18321-Z0L-010 | PROTECTOR, MUFFLER         | 1        |                |
| 004 | 18350-ZL8-000 | ARRESTER COMP., SPARK      | (1)      |                |
| 005 | 18356-ZL8-000 | PLATE, ARRESTER NUMBER     | (1)      |                |
| 006 | 18381-ZL8-305 | GASKET, MUFFLER            | (1)      |                |
| 007 | 90004-ZL8-000 | BOLT, FLANGE, 6X79 (CT200) | 2        |                |
| 008 | 90013-883-000 | BOLT, FLANGE, 6X12 (CT200) | 3        |                |
| 009 | 90055-ZE1-000 | SCREW, TAPPING, 4X6        | (1)      |                |
| 010 | 18381-Z8D-800 | GASKET, MUFFLER            | 1        |                |



Z8DGE1700D

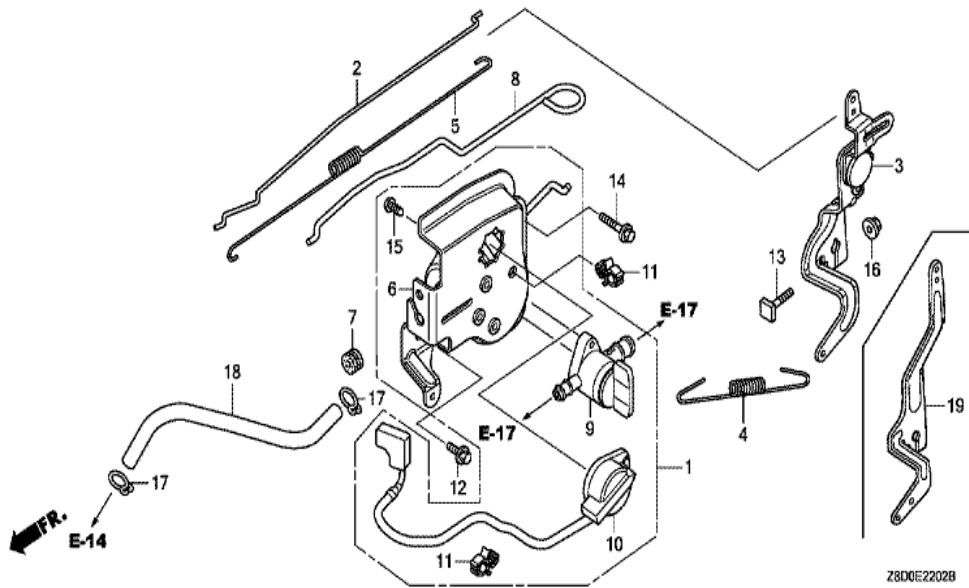
| <u>Ref</u> | <u>Partnumber</u> | <u>Description</u>        | <u>GCV190LA</u> | <u>Serial Numbers</u> |
|------------|-------------------|---------------------------|-----------------|-----------------------|
| 003        | 16952-Z8B-000     | STRAINER, FUEL            | 1               | 2380853               |
| 003        | 16952-ZA8-800     | STRAINER, FUEL            | 1               |                       |
| 003        | 16952-ZA8-800     | STRAINER, FUEL            | 1               |                       |
| 003        | 16952-ZA8-800     | STRAINER, FUEL            | 1               | 2380852               |
| 004        | 17511-Z0L-030     | TANK, FUEL                | 1               |                       |
| 004        | 17511-Z8B-800     | TANK, FUEL                | 1               | 6400001               |
| 004        | 17511-Z8B-800     | TANK, FUEL                | 1               | 6400001               |
| 005        | 17514-Z0L-000     | SEAL, FUEL FILLER NECK    | 1               |                       |
| 006        | 17516-Z0L-000     | CLIP, TANK MOUNTING       | 1               |                       |
| 007        | 17532-Z8B-800     | RUBBER A, TANK MOUNTING   | 1               | 6400001               |
| 007        | 17532-Z8B-800     | RUBBER A, TANK MOUNTING   | 1               | 6400001               |
| 008        | 17533-Z8B-800     | RUBBER B, TANK MOUNTING   | 1               | 6400001               |
| 008        | 17533-Z8B-800     | RUBBER B, TANK MOUNTING   | 1               | 6400001               |
| <u>Ref</u> | <u>Partnumber</u> | <u>Description</u>        | <u>GCV190LA</u> | <u>Serial Numbers</u> |
| 009        | 17534-Z0L-000     | NUT, TANK MOUNTING        | 1               |                       |
| 010        | 17620-Z0J-800     | CAP ASSY., FUEL TANK      | 1               |                       |
| 011        | 17636-Z0L-010     | GAUGE, FUEL LEVEL         | 1               | 2028123               |
| 011        | 17636-Z0L-010     | GAUGE, FUEL LEVEL         | 1               | 2028123               |
| 012        | 91427-Z8D-801     | TUBE, FUEL, 7.3X145 (FKM) | 1               |                       |
| 012        | 91427-Z8D-801     | TUBE, FUEL, 7.3X145 (FKM) | 1               |                       |
| 012        | 91427-Z8D-801     | TUBE, FUEL, 7.3X145 (FKM) | 1               |                       |
| 012        | 91427-Z8D-801     | TUBE, FUEL, 7.3X145 (FKM) | 1               |                       |
| 019        | 95002-4080008     | CLAMP, TUBE (D8)          | 2               |                       |
| 020        | 95002-4120008     | CLAMP, TUBE (D12)         | 1               |                       |
| 020        | 95002-4120008     | CLAMP, TUBE (D12)         | 1               |                       |
| 020        | 95002-4120008     | CLAMP, TUBE (D12)         | 1               |                       |
| 021        | 95002-4120008     | CLAMP, TUBE (D12)         | 1               |                       |
| 022        | 91424-Z8D-801     | TUBE, FUEL, 4.5X140 (FKM) | 1               |                       |
| 022        | 91424-Z8D-801     | TUBE, FUEL, 4.5X140 (FKM) | 1               |                       |
| 035        | 06175-Z8B-800     | TANK KIT, FUEL            | 1               | 6400000               |





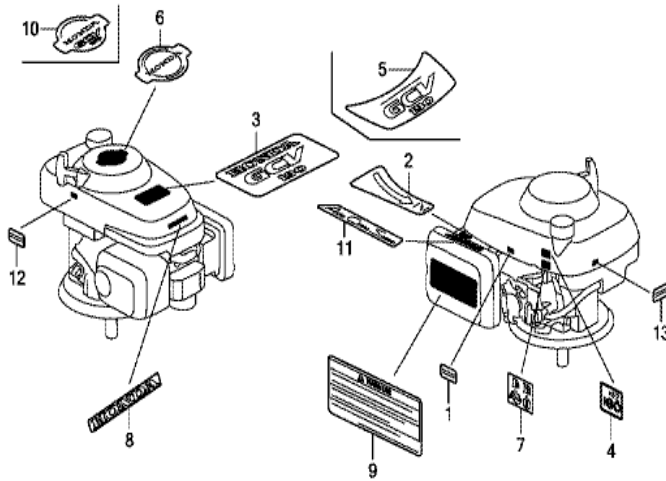
Z8D0E1901B

| <u>Ref</u> | <u>Partnumber</u> | <u>Description</u>            | <u>GCV190LA</u> | <u>Serial Numbers</u> |
|------------|-------------------|-------------------------------|-----------------|-----------------------|
| 001        | 13331-357-000     | KEY, SPECIAL WOODRUFF, 25X18  | 1               | 6651240               |
| 001        | 13331-Z8B-900     | KEY, SPECIAL WOODRUFF, 25X18  | 1               | 6651241               |
| 002        | 19511-Z0J-900     | FAN, COOLING                  | 1               |                       |
| 003        | 19612-Z0L-000     | PLATE, SIDE                   | 1               |                       |
| 004        | 28451-Z0J-900     | PULLEY, STARTER               | 1               |                       |
| 006        | 30500-Z0J-004     | COIL ASSY., IGNITION (TOYO)   | 1               | 6945313               |
| 006        | 30500-Z8B-911     | COIL ASSY., IGNITION (PHELON) | 1               | 6945314               |
| 007        | 31110-Z8D-004     | FLYWHEEL COMP.                | 1               |                       |
| 007        | 31110-Z8D-004     | FLYWHEEL COMP.                | 1               |                       |
| 007        | 31110-Z8D-004     | FLYWHEEL COMP.                | 1               |                       |
| 007        | 31110-Z8D-004     | FLYWHEEL COMP.                | 1               | 7072916               |
| 007        | 31110-Z8D-014     | FLYWHEEL COMP.                | 1               | 7072917               |
| 010        | 90013-883-000     | BOLT, FLANGE, 6X12 (CT200)    | 2               |                       |
| <u>Ref</u> | <u>Partnumber</u> | <u>Description</u>            | <u>GCV190LA</u> | <u>Serial Numbers</u> |
| 011        | 90018-ZE1-000     | BOLT, FLANGE, 6X23 (CT200)    | 1               |                       |
| 012        | 90201-Z0T-800     | NUT, SPECIAL, 14MM            | 1               |                       |



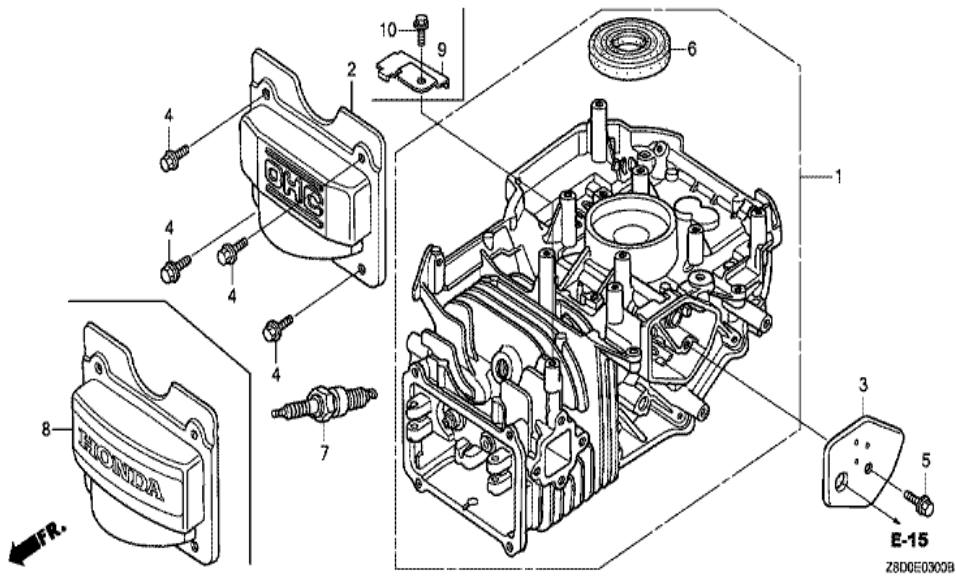
Z8D0E2202B

| <u>Ref</u> | <u>Partnumber</u> | <u>Description</u>              | <u>GCV190LA</u> | <u>Serial Numbers</u> |
|------------|-------------------|---------------------------------|-----------------|-----------------------|
| 001        | 16500-Z8D-800     | CONTROL ASSY.                   | 1               |                       |
| 001        | 16500-Z8D-800     | CONTROL ASSY.                   | 1               | 6651240               |
| 001        | 16500-Z8D-801     | CONTROL ASSY.                   | 1               | 6651241               |
| 002        | 16555-Z0L-801     | ROD, GOVERNOR                   | 1               |                       |
| 003        | 16555-Z8D-800     | ARM COMP., GOVERNOR             | 1               |                       |
| 004        | 16561-Z8B-V30     | SPRING, GOVERNOR                | 1               |                       |
| 005        | 16562-Z8D-800     | SPRING, THROTTLE RETURN         | 1               |                       |
| 006        | 16580-Z8D-800     | BASE COMP., CONTROL             | 1               |                       |
| 007        | 16613-893-000     | GROMMET, CHOKE ROD              | 1               |                       |
| 008        | 16674-Z8D-800     | ROD, CHOKE                      | 1               |                       |
| 009        | 16950-ZOY-003     | COCK ASSY., FUEL                | 1               |                       |
| 010        | 35120-Z8B-911     | SWITCH ASSY., ENGINE STOP       | 1               | 6651241               |
| 010        | 35120-Z8D-901     | SWITCH ASSY., ENGINE STOP       | 1               |                       |
| <u>Ref</u> | <u>Partnumber</u> | <u>Description</u>              | <u>GCV190LA</u> | <u>Serial Numbers</u> |
| 010        | 35120-Z8D-901     | SWITCH ASSY., ENGINE STOP       | 1               | 6651240               |
| 011        | 51125-Z0L-003     | HOLDER, WIRE (FASTEX)           | 1               | 2348725               |
| 011        | 51125-Z0L-003     | HOLDER, WIRE (FASTEX)           | 2               |                       |
| 011        | 51125-Z0L-003     | HOLDER, WIRE (FASTEX)           | 2               |                       |
| 012        | 90013-883-000     | BOLT, FLANGE, 6X12 (CT200)      | 1               |                       |
| 013        | 90015-ZE5-010     | BOLT, GOVERNOR ARM              | 1               |                       |
| 014        | 90017-883-000     | BOLT, FLANGE, 6X32 (CT200)      | 1               |                       |
| 015        | 93913-25220       | SCREW, TAPPING, 5X12 (PO)       | 1               |                       |
| 016        | 94050-06000       | NUT, FLANGE, 6MM                | 1               |                       |
| 017        | 95002-45000       | CLIP, TUBE (C8)                 | 2               |                       |
| 018        | 95005-4513550     | TUBE, 4.5X135 (95005-45001-50M) | 1               |                       |

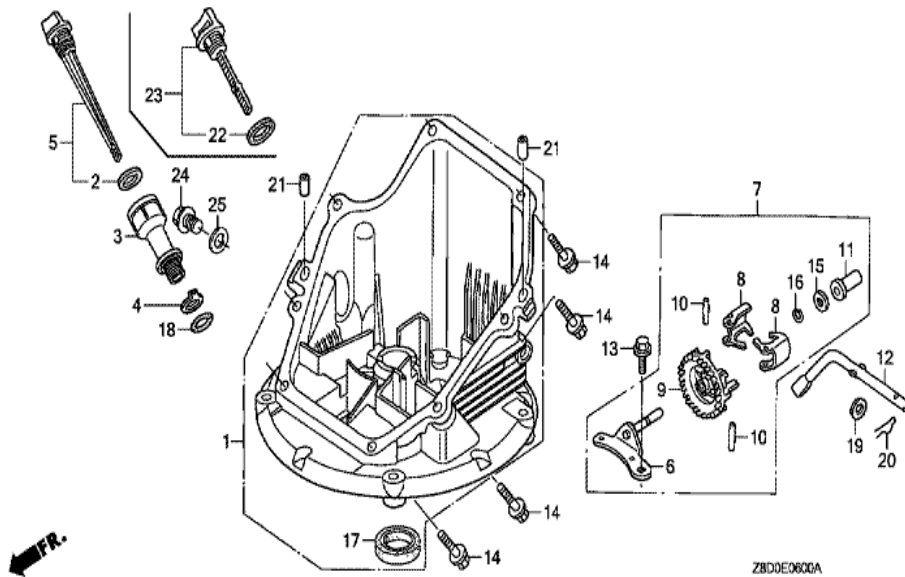


Z8D0E2800G

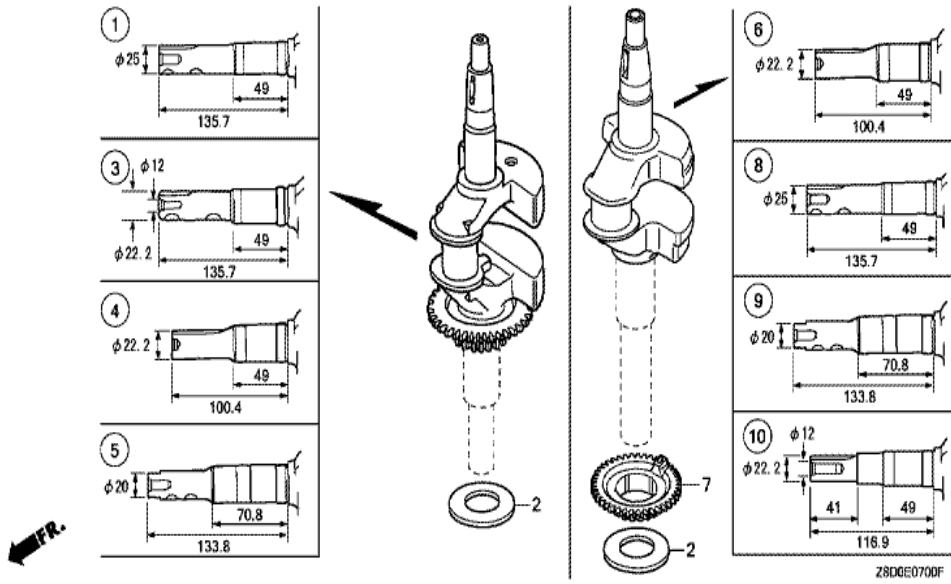
| Ref | Partnumber      | Description                             | GCV190LA | Serial Numbers |
|-----|-----------------|---|----------|----------------|
| 001 | 87114-ZH7-821   | LABEL, WARNING (NOT CERTIFIED FOR SALE) | 1        |                |
| 004 | 87528-ZL8-000   | MARK, CHOKE                             | 1        |                |
| 005 | 87101-Z8D-800   | MARK, EMBLEM (GCV190)                   | 1        |                |
| 006 | 87169-Z8E-000   | MARK, RECOIL COVER                      | 1        |                |
| 007 | 87524-Z8B-000   | MARK, FUEL COCK CAUTION                 | 1        |                |
| 008 | 87531-Z0Y-M11ZB | MARK, HONDA *TYPE2*                     | 1        |                |
| 008 | 87531-Z0Y-M11ZB | MARK, HONDA *TYPE2*                     | 1        |                |
| 009 | 87516-Z0J-000   | MARK, OPERATOR CAUTION (ENGLISH)        | 1        |                |



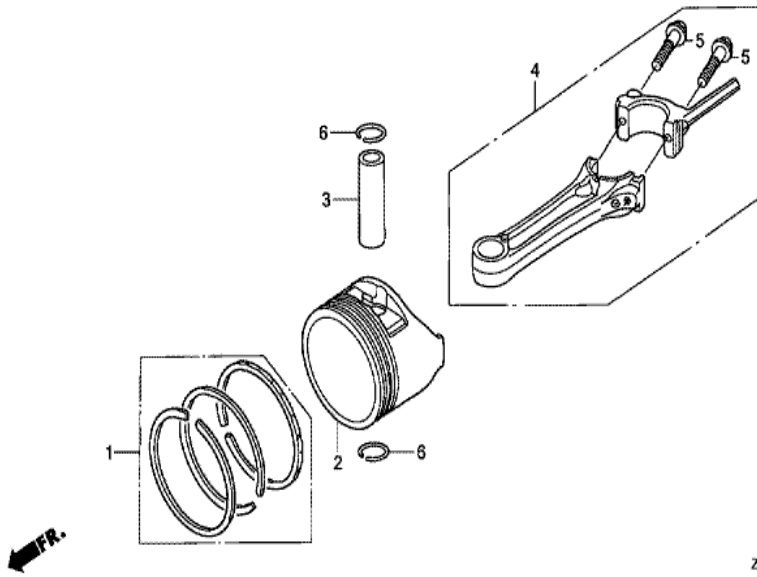
| Ref | Partnumber    | Description                | GCV190LA | Serial Numbers |
|-----|---------------|----------------------------|----------|----------------|
| 001 | 12000-Z0Y-415 | BARREL ASSY., CYLINDER     | 1        |                |
| 002 | 12311-ZL8-000 | COVER, HEAD                | 1        |                |
| 003 | 12355-ZL8-000 | COVER COMP., BREATHER      | 1        |                |
| 004 | 90013-883-000 | BOLT, FLANGE, 6X12 (CT200) | 4        |                |
| 005 | 90014-952-000 | BOLT, FLANGE, 6X14 (CT200) | 1        |                |
| 006 | 91201-Z0Y-003 | OIL SEAL, 25.4X62X6        | 1        |                |
| 007 | 98079-56846   | PLUG, SPARK (BPR6ES) (NGK) | 1        | 1693051        |
| 007 | 98079-56846   | PLUG, SPARK (BPR6ES) (NGK) | 1        |                |
| 007 | 98079-56846   | PLUG, SPARK (BPR6ES) (NGK) | 1        |                |



| <u>Ref</u> | <u>Partnumber</u> | <u>Description</u>           | <u>GCV190LA</u> | <u>Serial Numbers</u> |
|------------|-------------------|------------------------------|-----------------|-----------------------|
| 001        | 11300-ZOL-405     | PAN ASSY., OIL               | 1               |                       |
| 006        | 16508-ZM0-010     | SHAFT COMP., GOVERNOR HOLDER | 1               |                       |
| 006        | 16508-ZM0-010     | SHAFT COMP., GOVERNOR HOLDER | 1               |                       |
| 007        | 16510-ZM0-010     | GOVERNOR ASSY.               | 1               |                       |
| 008        | 16511-ZL8-000     | WEIGHT, GOVERNOR             | 2               |                       |
| 009        | 16512-ZM0-000     | HOLDER, GOVERNOR WEIGHT      | 1               |                       |
| 010        | 16513-ZE1-000     | PIN, GOVERNOR WEIGHT         | 2               |                       |
| 011        | 16531-ZE1-000     | SLIDER, GOVERNOR             | 1               |                       |
| 012        | 16541-Z8B-000     | SHAFT, GOVERNOR ARM          | 1               |                       |
| 012        | 16541-Z8B-000     | SHAFT, GOVERNOR ARM          | 1               | 2153738               |
| 013        | 90014-952-000     | BOLT, FLANGE, 6X14 (CT200)   | 1               |                       |
| 014        | 90121-952-000     | BOLT, FLANGE, 6X25 (CT200)   | 8               |                       |
| 015        | 90451-ZE1-000     | WASHER, THRUST, 6MM          | 1               |                       |
| <u>Ref</u> | <u>Partnumber</u> | <u>Description</u>           | <u>GCV190LA</u> | <u>Serial Numbers</u> |
| 016        | 90602-ZE1-000     | CLIP, GOVERNOR HOLDER        | 1               |                       |
| 017        | 91202-ZOL-801     | OIL SEAL, 28X41.25X6 (ARAI)  | 1               |                       |
| 017        | 91202-ZM0-V31     | OIL SEAL, 28X41.25X6 (NOK)   | 1               |                       |
| 017        | 91202-ZM0-V31     | OIL SEAL, 28X41.25X6 (NOK)   | 1               |                       |
| 019        | 94101-06800       | WASHER, PLAIN, 6MM           | 1               |                       |
| 020        | 94251-08000       | PIN, LOCK, 8MM               | 1               |                       |
| 021        | 94301-08200       | DOWEL PIN, 8X20              | 2               |                       |
| 021        | 94301-08200       | DOWEL PIN, 8X20              | 2               |                       |
| 022        | 15625-Z2L-801     | PACKING, OIL FILLER CAP      | 1               |                       |
| 023        | 15650-ZOL-000     | GAUGE ASSY., OIL LEVEL       | 1               |                       |



| Ref | Partnumber    | Description               | GCV190LA | Serial Numbers |
|-----|---------------|---------------------------|----------|----------------|
| 002 | 90402-ZL8-000 | WASHER, THRUST            | 1        |                |
| 002 | 90402-ZL8-000 | WASHER, THRUST            | 1        |                |
| 004 | 13310-Z0Y-650 | CRANKSHAFT COMP.          | 1        | 6651240        |
| 004 | 13310-Z0Y-650 | CRANKSHAFT COMP.          | 1        |                |
| 006 | 13311-Z8D-910 | CRANKSHAFT                | 1        | 6651241        |
| 007 | 13621-Z8B-900 | PULLEY, TIMING BELT DRIVE | 1        | 6651241        |



Z8D0E0800

| Ref | Partnumber    | Description                       | GCV190LA | Serial Numbers |
|-----|---------------|-----------------------------------|----------|----------------|
| 001 | 13010-ZOY-014 | RING SET, PISTON (STD.) (TEIKOKU) | 1        |                |
| 002 | 13101-ZOY-010 | PISTON                            | 1        | 6400000        |
| 002 | 13101-ZOY-010 | PISTON                            | 1        | 6400000        |
| 002 | 13101-Z8D-820 | PISTON                            | 1        |                |
| 002 | 13101-Z8D-820 | PISTON                            | 1        | 6400001        |
| 003 | 13111-ZOY-000 | PIN, PISTON                       | 1        |                |
| 004 | 13200-ZOY-010 | ROD ASSY., CONNECTING             | 1        |                |
| 004 | 13200-ZOY-010 | ROD ASSY., CONNECTING             | 1        |                |
| 005 | 90001-ZE1-000 | BOLT, CONNECTING ROD              | 2        |                |
| 006 | 90551-ZE0-000 | CLIP, PISTON PIN, 13MM            | 2        |                |