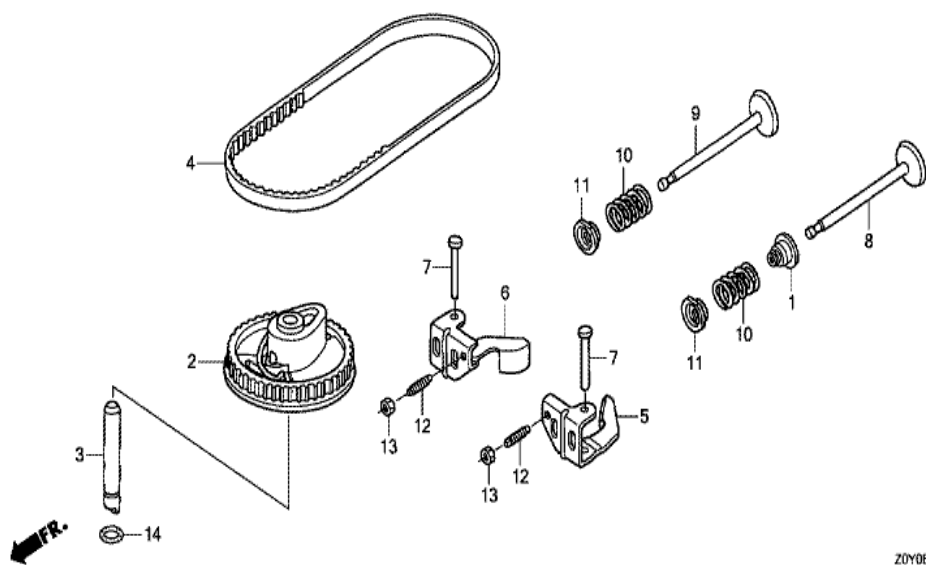


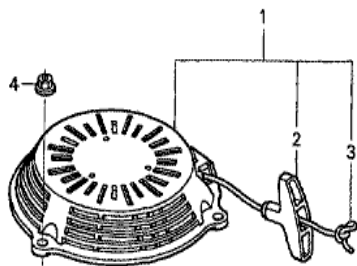
GCV190A(R1A)	E-10 CAMSHAFT PULLEY
--------------	----------------------



Z0Y0E1000B

<u>Ref</u>	<u>Partnumber</u>	<u>Description</u>	<u>GCV190A</u>	<u>Serial Numbers</u>
001	12209-ZM0-003	SEAL, VALVE STEM	1	
001	12209-ZM0-003	SEAL, VALVE STEM	1	
002	14320-Z0Y-000	PULLEY COMP., CAMSHAFT	1	
003	14324-ZL8-000	SHAFT, CAM PULLEY	1	
003	14324-ZL8-000	SHAFT, CAM PULLEY	1	
004	14400-Z0J-014	BELT, TIMING (84HU7 G-200)	1	
005	14431-Z0J-000	ARM, IN. VALVE ROCKER	1	
005	14431-Z0J-000	ARM, IN. VALVE ROCKER	1	
006	14441-Z0J-000	ARM, EX. VALVE ROCKER	1	
006	14441-Z0J-000	ARM, EX. VALVE ROCKER	1	
007	14461-ZL8-000	SHAFT, ROCKER ARM	2	
008	14711-ZL8-000	VALVE, IN. (TECHNOSTAR)	1	
008	14711-ZL8-000	VALVE, IN. (TECHNOSTAR)	1	
<u>Ref</u>	<u>Partnumber</u>	<u>Description</u>	<u>GCV190A</u>	<u>Serial Numbers</u>
009	14721-ZL8-000	VALVE, EX. (L8E)	1	
009	14721-ZL8-000	VALVE, EX. (L8E)	1	
010	14751-ZL8-000	SPRING, VALVE	2	
011	14771-Z0J-000	RETAINER, VALVE SPRING	2	
011	14771-Z0J-000	RETAINER, VALVE SPRING	2	
012	90012-333-000	SCREW, TAPPET ADJUSTING	2	
013	90206-001-000	NUT, TAPPET ADJUSTING	2	
014	91301-ZM0-V31	O-RING, 6.8X1.9 (ARAI)	1	

GCV190A(R1A)	E-11 RECOIL STARTER (1)
--------------	-------------------------

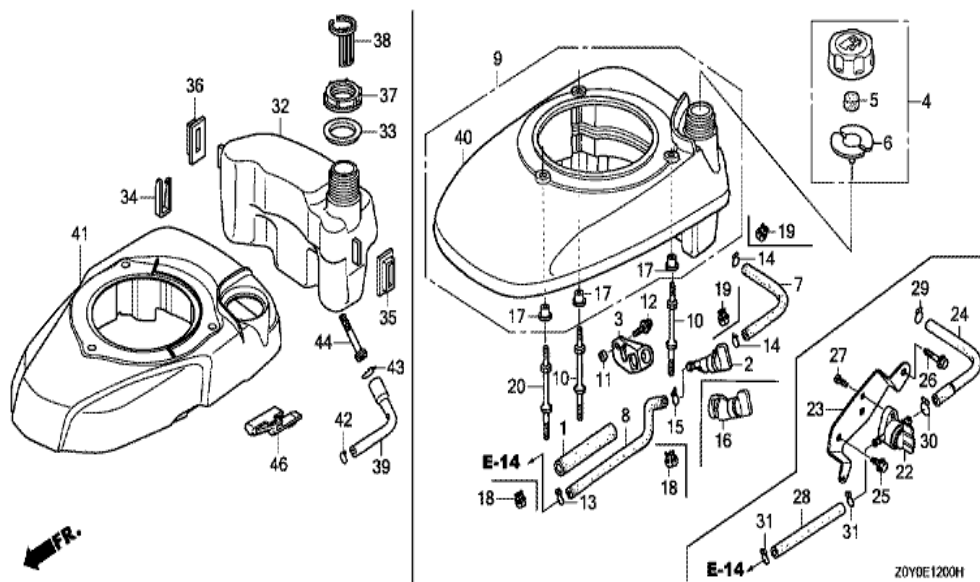


Z0Y0-E1100

Ref	Partnumber	Description	GCV190A	Serial Numbers
001	28400-Z0Y-013ZA	STARTER ASSY., RECOIL *R280 *	1	
001	28400-Z0Y-013ZA	STARTER ASSY., RECOIL *R280 *	1	2665464
001	28400-Z0Y-013ZB	STARTER ASSY., RECOIL *NH1 *	1	
001	28400-Z0Y-013ZB	STARTER ASSY., RECOIL *NH1 *	1	
001	28400-Z0Y-013ZC	STARTER ASSY., RECOIL *YR288R *	1	
001	28400-Z0Y-013ZC	STARTER ASSY., RECOIL *YR288R *	1	
001	28400-Z0Y-013ZC	STARTER ASSY., RECOIL *YR288R *	1	
002	28461-ZL8-003	GRIP, STARTER	1	
003	28462-ZL8-631	ROPE, RECOIL STARTER (LONG TYPE)	1	1362872
003	28462-ZL8-631	ROPE, RECOIL STARTER (LONG TYPE)	1	
003	28462-ZL8-631	ROPE, RECOIL STARTER (LONG TYPE)	1	
004	90201-ZM0-000	NUT, FLANGE, 6MM	3	

GCV190A(R1A)

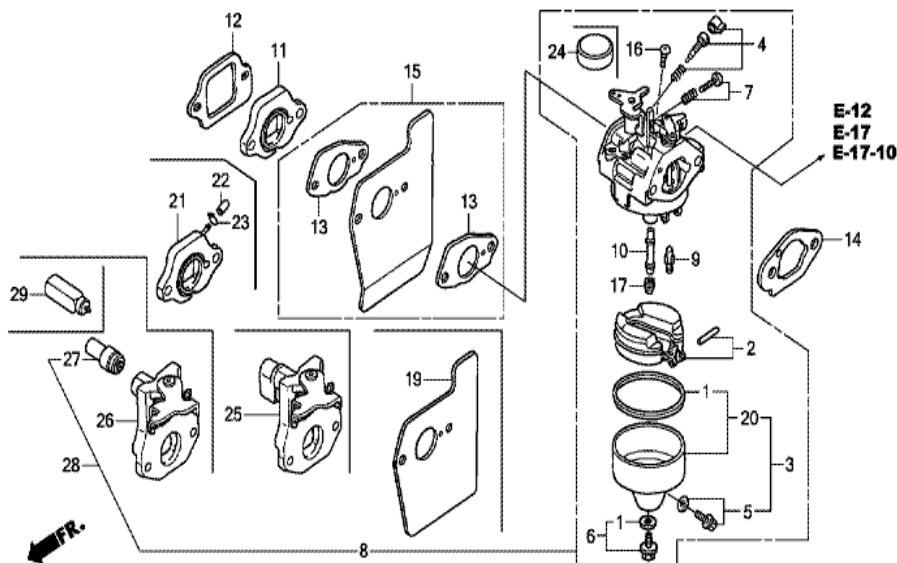
E-12 FAN COVER (1)



Ref	Partnumber	Description	GCV190A	Serial Numbers
001	16854-ZH8-000	RUBBER, SUPPORTER (107MM)	1	
004	17620-ZL8-013	CAP ASSY., FUEL TANK	1	
004	17620-ZL8-013	CAP ASSY., FUEL TANK	1	
005	17622-ZL8-003	SPONGE, FUEL CAP BREATHER	1	
005	17622-ZL8-003	SPONGE, FUEL CAP BREATHER	1	
006	17624-ZL8-003	PACKING, FUEL CAP	1	
006	17624-ZL8-003	PACKING, FUEL CAP	1	
007	91425-ZOL-801	TUBE, FUEL, 5.3X150 (FKM)	1	1489847
007	91425-ZOL-801	TUBE, FUEL, 5.3X150 (FKM)	1	1516951
007	95001-5515040	TUBE, FUEL, 5.3X150 (95001-55001-60M)	1	1516950
007	95001-5515040	TUBE, FUEL, 5.3X150 (95001-55001-60M)	1	1489846
008	17702-ZOL-801	TUBE, FUEL (FKM)	1	1489847
008	17702-ZOL-801	TUBE, FUEL (FKM)	1	1516951

<u>Ref</u>	<u>Partnumber</u>	<u>Description</u>	<u>GCV190A</u>	<u>Serial Numbers</u>
008	17702-ZM0-800	TUBE, FUEL	1	1489846
008	17702-ZM0-800	TUBE, FUEL	1	1489846
009	19610-Z0L-830ZA	COVER COMP., FAN *NH1 *	1	
009	19610-Z0L-830ZA	COVER COMP., FAN *NH1 *	1	
009	19610-Z0L-830ZA	COVER COMP., FAN *NH1 *	1	
009	19610-Z0L-830ZB	COVER COMP., FAN *R280 *	1	
009	19610-Z0L-830ZB	COVER COMP., FAN *R280 *	1	
009	19610-Z0L-830ZB	COVER COMP., FAN *R280 *	1	
009	19610-Z0L-830ZC	COVER COMP., FAN *T89 *	1	
009	19610-Z0L-830ZC	COVER COMP., FAN *T89 *	1	
009	19610-Z0L-830ZC	COVER COMP., FAN *T89 *	1	
009	19610-Z0L-830ZD	COVER COMP., FAN *T90 *	1	
009	19610-Z0L-830ZD	COVER COMP., FAN *T90 *	1	
009	19610-Z0L-830ZD	COVER COMP., FAN *T90 *	1	
009	19610-Z0L-830ZE	COVER COMP., FAN *Y166R *	1	
009	19610-Z0L-830ZE	COVER COMP., FAN *Y166R *	1	
009	19610-Z0L-830ZE	COVER COMP., FAN *Y166R *	1	
010	90043-ZL8-000	BOLT, STUD (H=42.5MM)	2	
010	90043-ZL8-000	BOLT, STUD (H=42.5MM)	2	
010	90043-ZL8-000	BOLT, STUD (H=42.5MM)	2	
010	90043-ZL8-000	BOLT, STUD (H=42.5MM)	2	
011	91501-Z0L-800	COLLAR, FUEL COCK	1	
011	91501-Z0L-800	COLLAR, FUEL COCK	1	
012	93891-0501008	SCREW-WASHER, 5X10	1	
013	95002-02080	CLIP, TUBE (B8)	1	
013	95002-02080	CLIP, TUBE (B8)	1	1489846
014	95002-02100	CLIP, TUBE (B10)	2	
014	95002-02100	CLIP, TUBE (B10)	2	1489846
015	95002-02080	CLIP, TUBE (B8)	1	1489846
016	16950-ZM0-003	COCK ASSY., FUEL	1	
017	19619-ZL8-300	COLLAR, FAN COVER	3	
018	95002-4080008	CLAMP, TUBE (D8)	2	1489847
019	95002-4100008	CLAMP, TUBE (D10)	2	1489847
<u>Ref</u>	<u>Partnumber</u>	<u>Description</u>	<u>GCV190A</u>	<u>Serial Numbers</u>
020	90043-ZL8-000	BOLT, STUD (H=42.5MM)	1	
020	90043-ZL8-000	BOLT, STUD (H=42.5MM)	1	
020	90043-ZL8-000	BOLT, STUD (H=42.5MM)	1	
020	90043-ZL8-000	BOLT, STUD (H=42.5MM)	1	

GCV190A(R1A)	E-14 CARBURETOR
--------------	-----------------

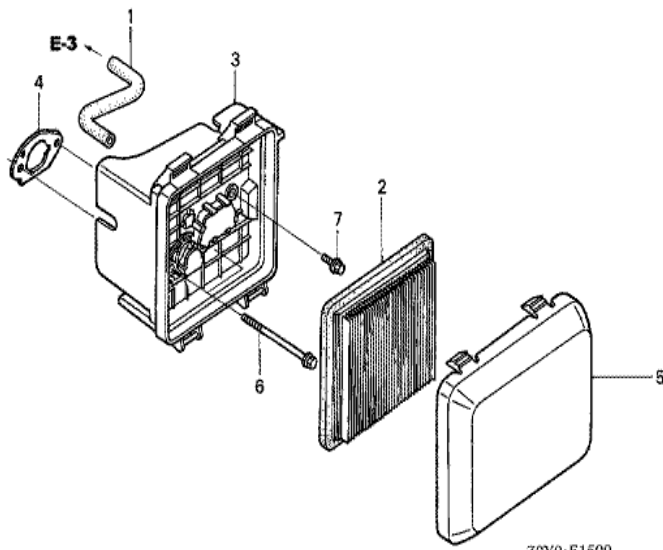


Z0YDE1400H

Ref	Partnumber	Description	GCV190A	Serial Numbers
001	16010-883-015	PACKING SET	1	
002	16013-ZL1-003	FLOAT SET	1	
003	16015-887-782	CHAMBER SET, FLOAT	1	
003	16015-887-782	CHAMBER SET, FLOAT	1	BB65C A
004	16016-ZG0-W00	SCREW SET	1	
004	16016-ZG0-W00	SCREW SET	1	BB65C A
005	16024-ZE1-811	SCREW SET, DRAIN	1	
005	16024-ZE1-811	SCREW SET, DRAIN	1	BB65C A
006	16028-ZE0-005	SCREW SET	1	
007	16029-ZG0-901	SCREW SET (THROTTLE STOP)	1	
007	16029-ZG0-901	SCREW SET (THROTTLE STOP)	1	BB65C A
008	16100-Z0Y-802	CARBURETOR ASSY. (BB62K B)	1	1611438
008	16100-Z0Y-802	CARBURETOR ASSY. (BB62K B)	1	1489846

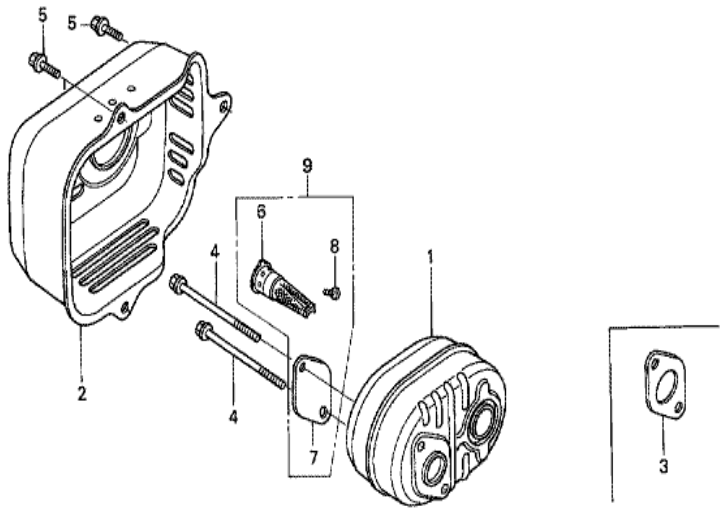
<u>Ref</u>	<u>Partnumber</u>	<u>Description</u>	<u>GCV190A</u>	<u>Serial Numbers</u>
008	16100-Z0Y-821	CARBURETOR ASSY. (BB65C A)	1	1611439
008	16100-Z0Y-821	CARBURETOR ASSY. (BB65C A)	1	1489847
008	16100-Z0Y-821	CARBURETOR ASSY. (BB65C A)	1	1489847
008	16100-Z0Y-821	CARBURETOR ASSY. (BB65C A)	1	1489847
009	16155-ZM0-003	VALVE, FLOAT	1	BB62J A
009	16155-ZM0-003	VALVE, FLOAT	1	BB62K A
009	16155-ZM0-013	VALVE, FLOAT	1	BB62K B
009	16155-ZM0-013	VALVE, FLOAT	1	BB62J B
009	16155-ZM0-013	VALVE, FLOAT	1	BB62K B
010	16166-Z0Y-003	NOZZLE, MAIN	1	
011	16211-ZL8-000	INSULATOR, CARBURETOR	1	
011	16211-ZL8-000	INSULATOR, CARBURETOR	1	
012	16212-ZL8-000	PACKING, INSULATOR	1	
013	16221-883-800	PACKING, CARBURETOR	2	
014	16228-ZL8-000	PACKING, CARBURETOR	1	
014	16228-ZL8-000	PACKING, CARBURETOR	1	
015	19650-ZM0-000	GUIDE COMP., AIR	1	
016	93500-050061H	SCREW, PAN, 5X6	1	
017	99101-1240650	JET, MAIN, #65	(1)	
017	99101-1240680	JET, MAIN, #68	(1)	
017	99101-1240680	JET, MAIN, #68	(1)	
017	99101-1240700	JET, MAIN, #70	1	
017	99101-1240700	JET, MAIN, #70	1	
020	16015-Z0L-881	CHAMBER SET, FLOAT	1	
020	16015-Z0L-881	CHAMBER SET, FLOAT	1	BB65N A

GCV190A(R1A)	E-15 AIR CLEANER
--------------	------------------



<u>Ref</u>	<u>Partnumber</u>	<u>Description</u>	<u>GCV190A</u>	<u>Serial Numbers</u>
001	15721-ZM0-000	TUBE, BREATHER	1	
002	17211-ZL8-023	ELEMENT, AIR CLEANER (TOYO ROKI)	1	
002	17211-ZL8-023	ELEMENT, AIR CLEANER (TOYO ROKI)	1	
002	17211-ZL8-023	ELEMENT, AIR CLEANER (TOYO ROKI)	1	
003	17220-ZM0-000	CASE ASSY., AIR CLEANER	1	
003	17220-ZM0-000	CASE ASSY., AIR CLEANER	1	
004	17228-ZM0-000	PACKING, AIR CLEANER	1	
004	17228-ZM0-000	PACKING, AIR CLEANER	1	
004	17228-ZM0-000	PACKING, AIR CLEANER	1	
005	17231-ZOL-030	COVER, AIR CLEANER	1	
005	17231-ZOL-030	COVER, AIR CLEANER	1	
006	90003-ZM0-000	BOLT, FLANGE, 6X86 (CT200)	2	
006	90003-ZM0-000	BOLT, FLANGE, 6X86 (CT200)	2	
<u>Ref</u>	<u>Partnumber</u>	<u>Description</u>	<u>GCV190A</u>	<u>Serial Numbers</u>
007	95701-0601408	BOLT, FLANGE, 6X14	1	

GCV190A(R1A)	E-16 MUFFLER
--------------	--------------

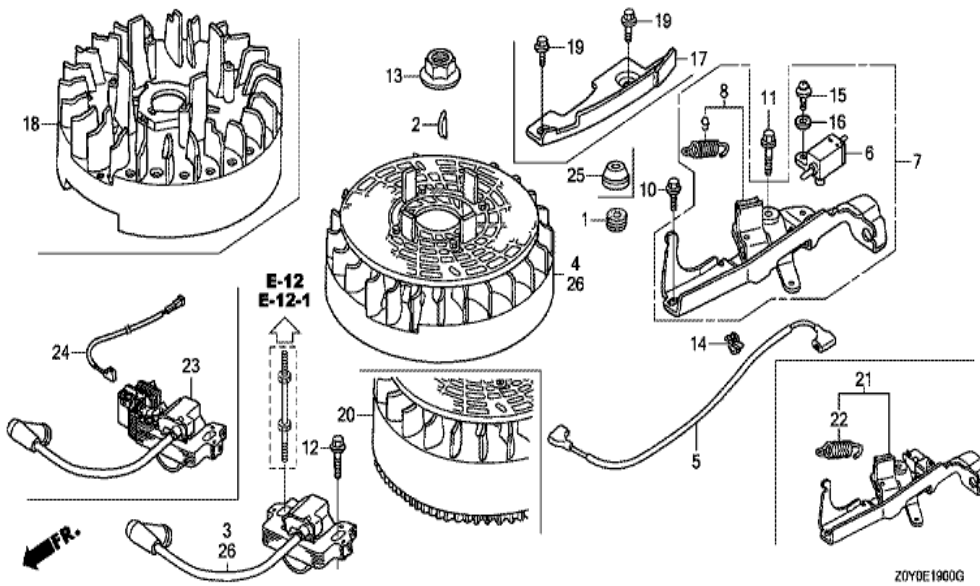


Z0Y0-E1600B

Ref	Partnumber	Description	GCV190A	Serial Numbers
001	18310-Z0Y-000	MUFFLER COMP.	1	
002	18321-Z0L-000	PROTECTOR, MUFFLER	1	
002	18321-Z0L-000	PROTECTOR, MUFFLER	1	
003	18381-ZL8-305	GASKET, MUFFLER	(1)	
004	90004-ZL8-000	BOLT, FLANGE, 6X79 (CT200)	2	
005	90013-883-000	BOLT, FLANGE, 6X12 (CT200)	3	
006	18350-ZL8-000	ARRESTER COMP., SPARK	(1)	
007	18356-ZL8-000	PLATE, ARRESTER NUMBER	(1)	
008	90055-ZE1-000	SCREW, TAPPING, 4X6	(1)	
009	06180-Z0J-000	ARRESTER KIT, SPARK	(1)	

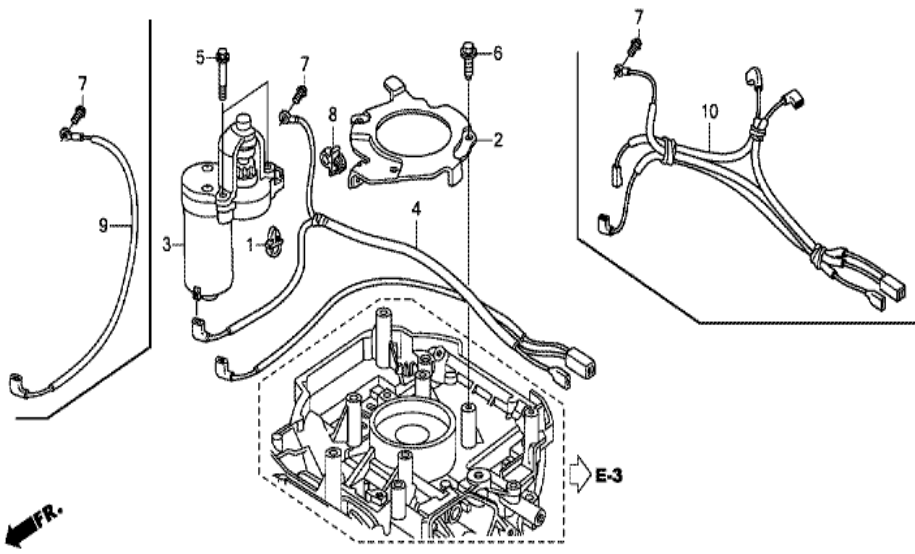
GCV190A(R1A)

E-19 FLYWHEEL/IGNITION COIL (ALUMINUM)



Ref	Partnumber	Description	GCV190A	Serial Numbers
002	13331-357-000	KEY, SPECIAL WOODRUFF, 25X18	1	
003	30500-Z0J-003	COIL ASSY., IGNITION (PHELON) (USE FOR F	1	
010	90014-952-000	BOLT, FLANGE, 6X14 (CT200)	1	
011	90002-Z0L-820	BOLT, FLANGE, 6X23 (CT200)	1	
011	90002-Z0L-820	BOLT, FLANGE, 6X23 (CT200)	1	
012	90022-888-010	BOLT, FLANGE, 6X20 (CT200)	1	
012	90022-888-010	BOLT, FLANGE, 6X20 (CT200)	1	
013	90213-S3Y-000	NUT, FLANGE, 14MM	1	
014	90681-959-003	CLIP A, CABLE (NIFCO) (3.8MM BLACK)	1	
014	90681-959-003	CLIP A, CABLE (NIFCO) (3.8MM BLACK)	1	
020	31105-Z0L-821	FLYWHEEL ASSY. (PHELON) (USE FOR IGN. CO	1	
020	31105-Z0L-821	FLYWHEEL ASSY. (PHELON) (USE FOR IGN. CO	1	
021	75110-Z0L-821	BRAKE SUB ASSY.	1	
<u>Ref</u>	<u>Partnumber</u>	<u>Description</u>	<u>GCV190A</u>	<u>Serial Numbers</u>
022	75113-ZM0-000	SPRING, BRAKE LEVER	1	

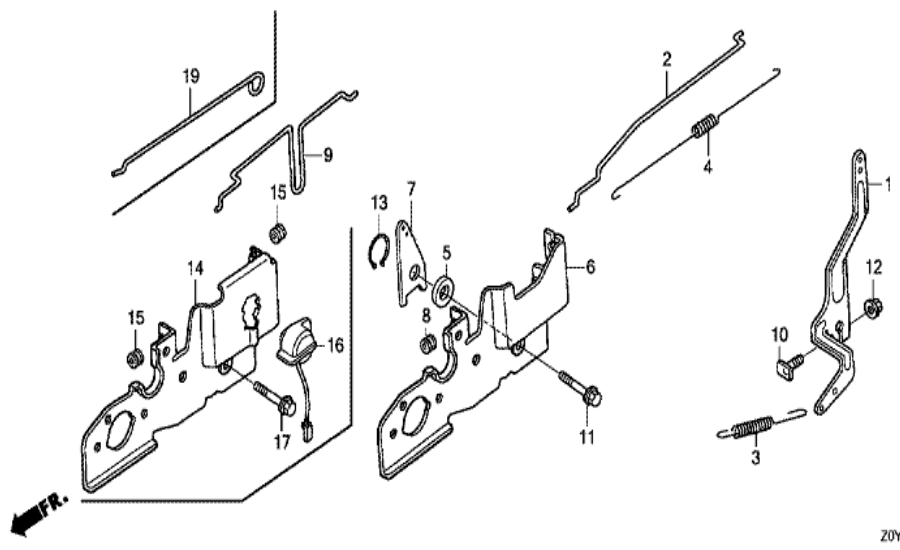
GCV190A(R1A)	E-21 STARTER MOTOR
--------------	--------------------



Z0Y0E2100C

Ref	Partnumber	Description	GCV190A	Serial Numbers
001	22534-Z0L-820	HOLDER, WIRE	1	
002	30549-Z0L-820	CLAMPER, CORD	1	
003	31200-Z0L-821	MOTOR ASSY., STARTER	1	
004	32222-Z0L-820	CORD, TERMINAL EARTH	1	
005	90001-Z0L-820	BOLT, SPECIAL, 6MM	2	
006	90013-883-000	BOLT, FLANGE, 6X12 (CT200)	2	
007	93500-050080A	SCREW, PAN, 5X8	1	

GCV190A(R1A)	E-22-1 CONTROL (2)
--------------	--------------------

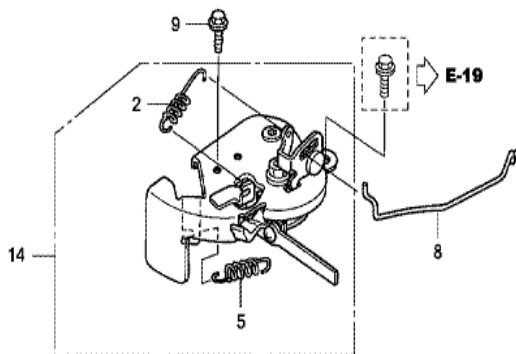


Z0Y0E2201B

Ref	Partnumber	Description	GCV190A	Serial Numbers
001	16551-ZM0-010	ARM, GOVERNOR	1	
002	16555-Z0L-800	ROD, GOVERNOR	1	
002	16555-Z0L-800	ROD, GOVERNOR	1	1407410
003	16561-Z0L-000	SPRING, GOVERNOR	1	
003	16561-Z0L-000	SPRING, GOVERNOR	1	
004	16562-ZM0-000	SPRING, THROTTLE RETURN	1	
006	16580-Z0L-810	BASE COMP., CONTROL	1	
010	90015-ZE5-010	BOLT, GOVERNOR ARM	1	
011	90016-ZE8-000	BOLT, FLANGE, 6X45 (CT200)	1	
012	94050-06000	NUT, FLANGE, 6MM	1	

GCV190A(R1A)

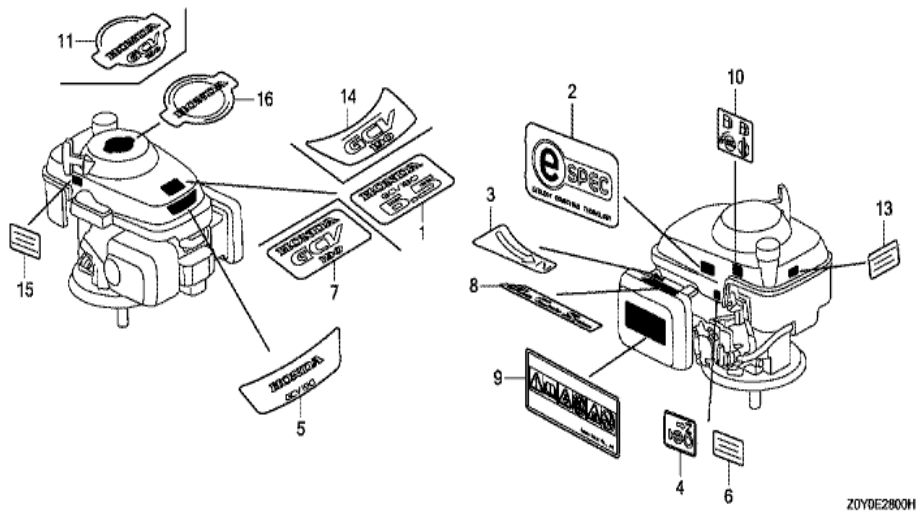
E-22-2 CHOKE BASE



ZDY0E2202C

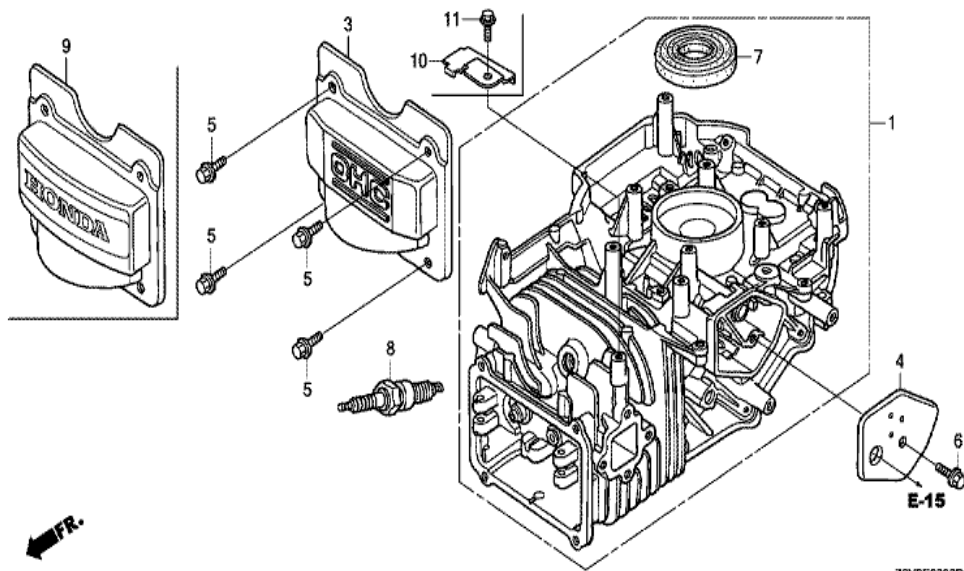
Ref	Partnumber	Description	GCV190A	Serial Numbers
002	16592-Z2D-800	SPRING, RETURN	1	
002	16592-Z2D-800	SPRING, RETURN	1	
005	16614-Z2D-800	SPRING, CHOKE LEVER	1	
005	16614-Z2D-800	SPRING, CHOKE LEVER	1	
008	16632-Z0L-800	ROD, STOP	1	
009	90022-888-010	BOLT, FLANGE, 6X20 (CT200)	1	
009	90022-888-010	BOLT, FLANGE, 6X20 (CT200)	1	
014	16610-Z2D-801	LEVER ASSY., CHOKE	1	
014	16610-Z2D-801	LEVER ASSY., CHOKE	1	

GCV190A(R1A)	E-28 LABEL
--------------	------------



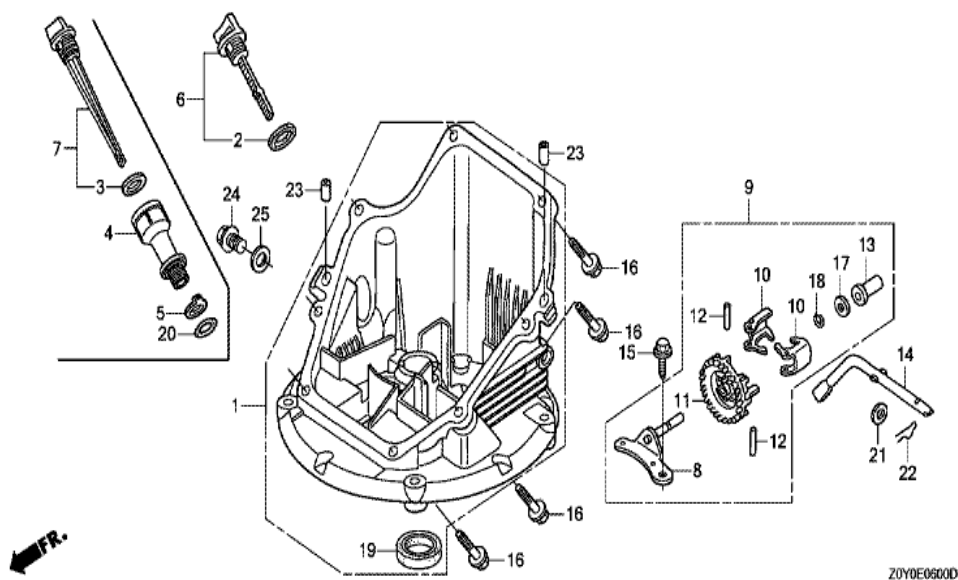
Ref	Partnumber	Description	GCV190A	Serial Numbers
003	87528-Z0L-V20	MARK, CHOKE INDICATION	1	
006	87114-ZH7-821	LABEL, WARNING (NOT CERTIFIED FOR SALE)	1	1516951
006	87114-ZH7-821	LABEL, WARNING (NOT CERTIFIED FOR SALE)	1	
007	87101-Z0Y-010	MARK, EMBLEM (GCV190)	1	

GCV190A(R1A)	E-3 CYLINDER BARREL
--------------	---------------------



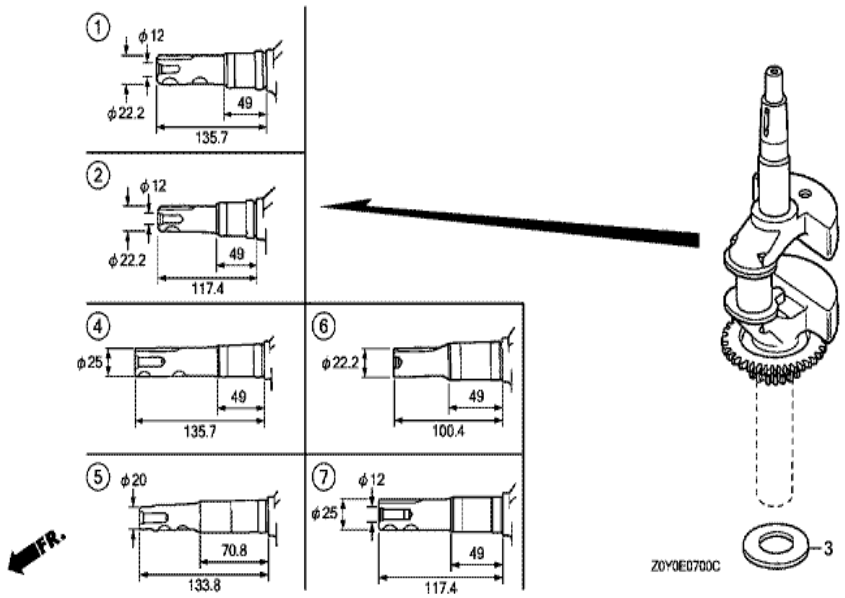
Ref	Partnumber	Description	GCV190A	Serial Numbers
001	12000-Z0Y-416	BARREL ASSY., CYLINDER	1	
001	12000-Z0Y-416	BARREL ASSY., CYLINDER	1	
002	12216-ZE5-300	CLIP, VALVE GUIDE	1	
003	12311-ZL8-000	COVER, HEAD	1	
003	12311-ZL8-000	COVER, HEAD	1	2670183
004	12355-ZL8-000	COVER COMP., BREATHER	1	
005	90013-883-000	BOLT, FLANGE, 6X12 (CT200)	4	
006	90014-952-000	BOLT, FLANGE, 6X14 (CT200)	1	
007	91201-Z0Y-003	OIL SEAL, 25.4X62X6	1	
007	91201-Z0Y-003	OIL SEAL, 25.4X62X6	1	
008	98079-56846	PLUG, SPARK (BPR6ES) (NGK)	1	1693051
008	98079-56846	PLUG, SPARK (BPR6ES) (NGK)	1	

GCV190A(R1A)	E-6 OIL PAN
--------------	-------------



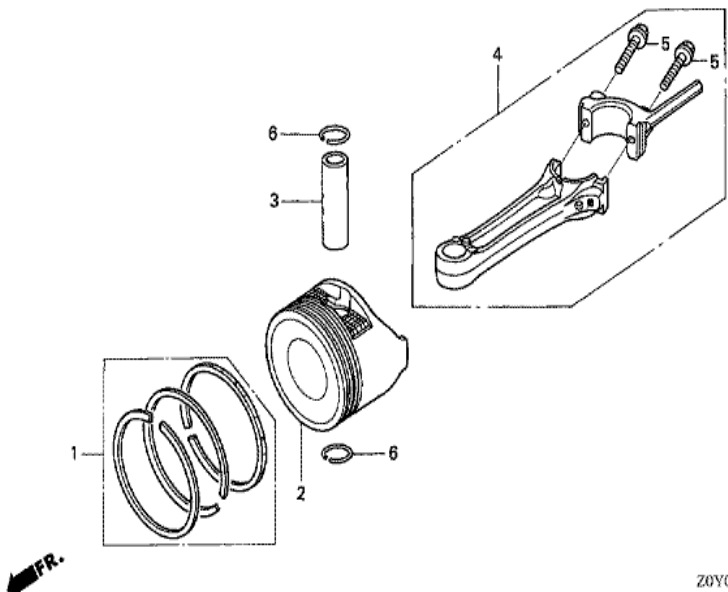
Ref	Partnumber	Description	GCV190A	Serial Numbers
001	11300-Z0Y-406	PAN ASSY., OIL	1	
001	11300-Z0Y-406	PAN ASSY., OIL	1	
001	11300-Z0Y-406	PAN ASSY., OIL	1	
003	15625-ZE6-000	PACKING, OIL FILLER CAP	1	
004	15631-Z0L-820	EXTENSION, OIL FILLER	1	
005	15639-ZM0-000	WASHER, EXTENSION LOCK	1	
007	15650-Z0L-820	GAUGE ASSY., OIL LEVEL	1	
008	16508-ZM0-010	SHAFT COMP., GOVERNOR HOLDER	1	
008	16508-ZM0-010	SHAFT COMP., GOVERNOR HOLDER	1	
009	16510-ZM0-010	GOVERNOR ASSY.	1	
010	16511-ZL8-000	WEIGHT, GOVERNOR	2	
011	16512-ZM0-000	HOLDER, GOVERNOR WEIGHT	1	
012	16513-ZE1-000	PIN, GOVERNOR WEIGHT	2	
Ref	Partnumber	Description	GCV190A	Serial Numbers
013	16531-ZE1-000	SLIDER, GOVERNOR	1	
014	16541-ZM0-000	SHAFT, GOVERNOR ARM	1	
014	16541-ZM0-000	SHAFT, GOVERNOR ARM	1	
015	90014-952-000	BOLT, FLANGE, 6X14 (CT200)	1	
016	90121-952-000	BOLT, FLANGE, 6X25 (CT200)	8	
017	90451-ZE1-000	WASHER, THRUST, 6MM	1	
018	90602-ZE1-000	CLIP, GOVERNOR HOLDER	1	
019	91202-ZL8-003	OIL SEAL, 28X41.25X6	1	
020	91303-KF0-003	O-RING, 14.8X2.4 (ARAI)	1	
021	94101-06800	WASHER, PLAIN, 6MM	1	
022	94251-08000	PIN, LOCK, 8MM	1	
023	94301-08200	DOWEL PIN, 8X20	2	
023	94301-08200	DOWEL PIN, 8X20	2	

GCV190A(R1A)	E-7 CRANKSHAFT (1)
--------------	--------------------



Ref	Partnumber	Description	GCV190A	Serial Numbers
001	13310-Z0Y-000	CRANKSHAFT COMP.	1	
003	90402-ZL8-000	WASHER, THRUST	1	

GCV190A(R1A)	E-8 PISTON/CONNECTING ROD
--------------	---------------------------



Z0Y0-E0800

Ref	Partnumber	Description	GCV190A	Serial Numbers
001	13010-Z0Y-004	RING SET, PISTON (STD.) (TEIKOKU)	1	1575725
001	13010-Z0Y-004	RING SET, PISTON (STD.) (TEIKOKU)	1	8017196
001	13010-Z0Y-014	RING SET, PISTON (STD.) (TEIKOKU)	1	8017197
001	13010-Z0Y-014	RING SET, PISTON (STD.) (TEIKOKU)	1	8017197
002	13101-Z0Y-000	PISTON	1	1575725
002	13101-Z0Y-000	PISTON	1	8017196
002	13101-Z0Y-010	PISTON	1	8017197
002	13101-Z0Y-010	PISTON	1	1575726
002	13101-Z0Y-010	PISTON	1	8017197
003	13111-Z0Y-000	PIN, PISTON	1	
004	13200-Z0Y-000	ROD ASSY., CONNECTING	1	
005	90001-ZE1-000	BOLT, CONNECTING ROD	2	
006	90551-ZE0-000	CLIP, PISTON PIN, 13MM	2	