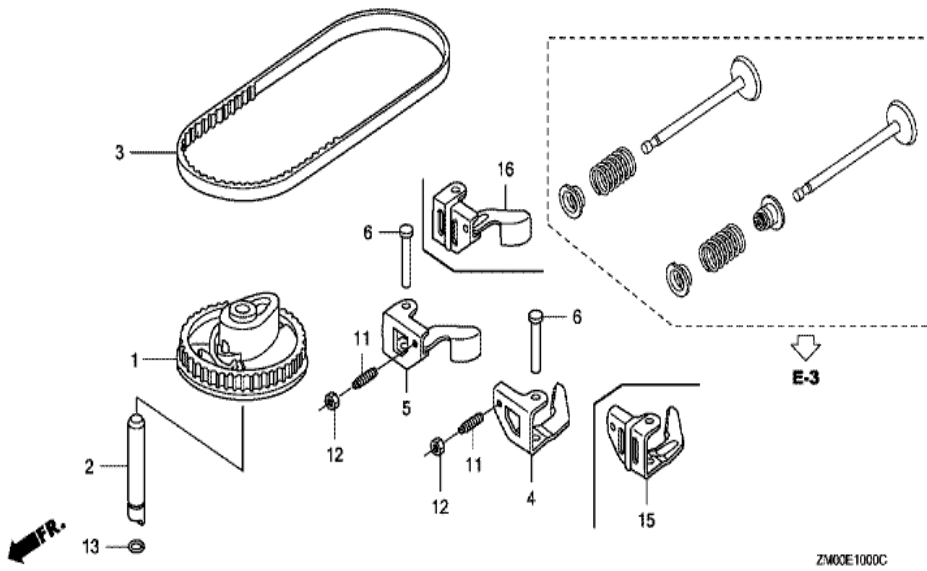
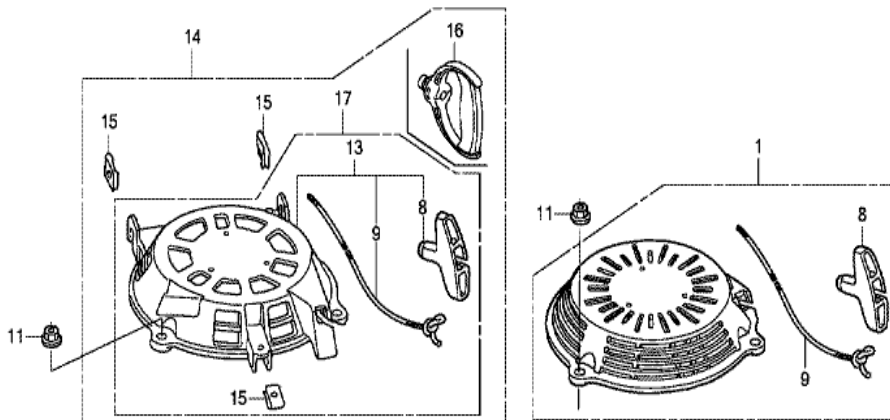


GCV160LA0(N5AF)	E-10 CAMSHAFT PULLEY
-----------------	----------------------



Ref	Partnumber	Description	GCV160LA0	Serial Numbers
001	14320-Z8D-000	PULLEY COMP., CAMSHAFT	1	3912667
001	14320-Z8D-000	PULLEY COMP., CAMSHAFT	1	3912667
001	14320-ZL8-010	PULLEY COMP., CAMSHAFT	1	
001	14320-ZL8-010	PULLEY COMP., CAMSHAFT	1	
001	14320-ZL8-010	PULLEY COMP., CAMSHAFT	1	3912666
002	14324-ZL8-000	SHAFT, CAM PULLEY	1	
002	14324-ZL8-000	SHAFT, CAM PULLEY	1	
003	14400-ZOJ-014	BELT, TIMING (84HU7 G-200)	1	
003	14400-ZOJ-014	BELT, TIMING (84HU7 G-200)	1	
006	14461-ZL8-000	SHAFT, ROCKER ARM	2	
011	90012-333-000	SCREW, TAPPET ADJUSTING	2	
012	90206-001-000	NUT, TAPPET ADJUSTING	2	
013	91301-ZM0-V31	O-RING, 6.8X1.9 (ARAI)	1	
Ref	Partnumber	Description	GCV160LA0	Serial Numbers
013	91301-ZM0-V31	O-RING, 6.8X1.9 (ARAI)	1	
015	14431-ZOJ-000	ARM, IN. VALVE ROCKER	1	
016	14441-ZOJ-000	ARM, EX. VALVE ROCKER	1	

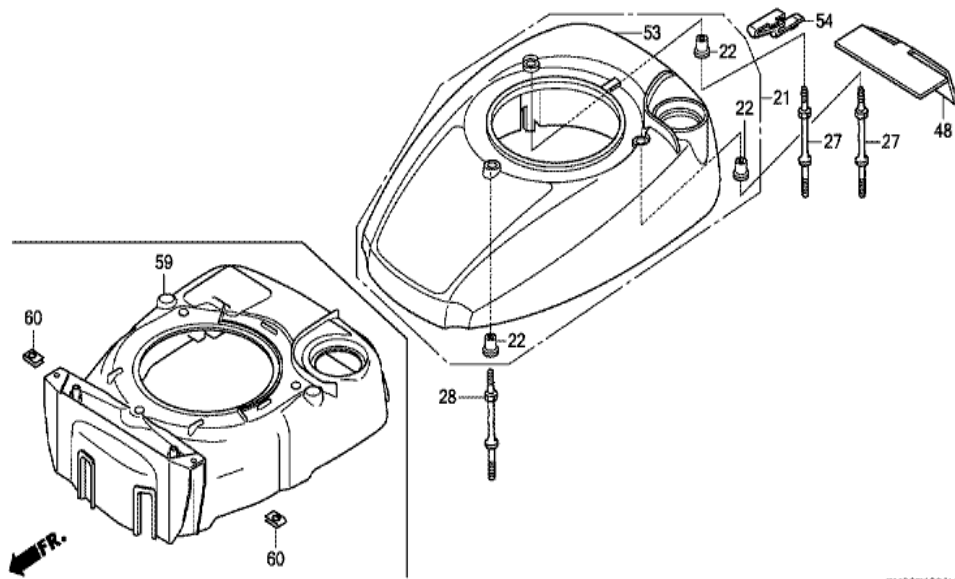
GCV160LA0(N5AF)	E-11 RECOIL STARTER
-----------------	---------------------



ZM0E1100J

Ref	Partnumber	Description	GCV160LA0	Serial Numbers
001	28400-Z8A-003ZC	STARTER ASSY., RECOIL (SHORT ROPE) *NH1*	1	3150137 3541630
001	28400-Z8A-003ZC	STARTER ASSY., RECOIL (SHORT ROPE) *NH1*	1	3150137 3541630
001	28400-Z8D-911ZB	STARTER ASSY., RECOIL (SHORT ROPE) *NH1*	1	3541631
001	28400-Z8D-911ZB	STARTER ASSY., RECOIL (SHORT ROPE) *NH1*	1	3541631
001	28400-ZL8-023ZA	STARTER ASSY., RECOIL *NH1 *	1	
001	28400-ZL8-023ZA	STARTER ASSY., RECOIL *NH1 *	1	
001	28400-ZL8-023ZA	STARTER ASSY., RECOIL *NH1 *	1	
001	28400-ZL8-023ZA	STARTER ASSY., RECOIL *NH1 *	1	3150136
001	28400-ZL8-023ZA	STARTER ASSY., RECOIL *NH1 *	1	3150136
008	28461-ZL8-003	GRIP, STARTER	1	
009	28462-ZL8-003	ROPE, RECOIL STARTER	1	
009	28462-ZL8-003	ROPE, RECOIL STARTER	1	
011	90201-ZM0-000	NUT, FLANGE, 6MM	3	

GCV160LA0(N5AF)	E-12-1 FAN COVER (2)
-----------------	----------------------

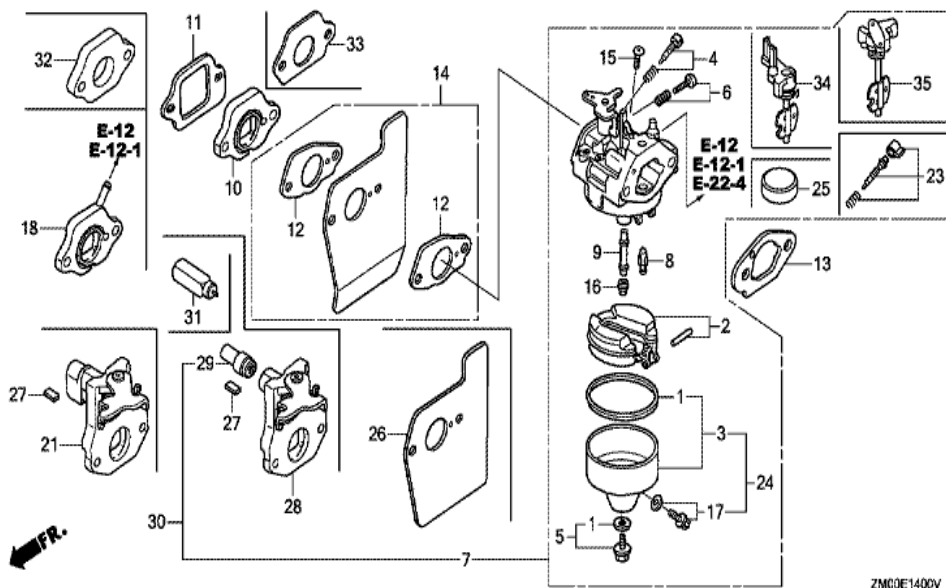


ZM0E1201H

Ref	Partnumber	Description	GCV160LA0	Serial Numbers
003	16854-ZH8-000	RUBBER, SUPPORTER (107MM)	1	1854820
003	16854-ZH8-000	RUBBER, SUPPORTER (107MM)	1	8028729
005	16950-ZM0-003	COCK ASSY., FUEL	1	1854820
005	16950-ZM0-003	COCK ASSY., FUEL	1	8028729
007	16952-Z8B-000	STRAINER, FUEL	1	2240293
007	16952-Z8B-000	STRAINER, FUEL	1	2240293
007	16952-ZA8-800	STRAINER, FUEL	1	
007	16952-ZA8-800	STRAINER, FUEL	1	2240292
009	17511-ZOL-030	TANK, FUEL	1	
009	17511-Z8B-800	TANK, FUEL	1	3116718
009	17511-Z8B-800	TANK, FUEL	1	3116718
010	17514-ZOL-000	SEAL, FUEL FILLER NECK	1	
011	17516-ZOL-000	CLIP, TANK MOUNTING	1	

<u>Ref</u>	<u>Partnumber</u>	<u>Description</u>	<u>GCV160LA0</u>	<u>Serial Numbers</u>
012	17532-Z8B-800	RUBBER A, TANK MOUNTING	1	3116718
012	17532-Z8B-800	RUBBER A, TANK MOUNTING	1	3406724
013	17533-Z8B-800	RUBBER B, TANK MOUNTING	1	3116718
013	17533-Z8B-800	RUBBER B, TANK MOUNTING	1	3406724
014	17534-ZOL-000	NUT, TANK MOUNTING	1	
015	17620-ZOJ-800	CAP ASSY., FUEL TANK	1	
016	17636-ZOL-010	GAUGE, FUEL LEVEL	1	
016	17636-ZOL-010	GAUGE, FUEL LEVEL	1	3406724
018	17701-Z8B-811	TUBE, FUEL TANK (FKM)	1	
018	17701-Z8B-811	TUBE, FUEL TANK (FKM)	1	1854820
019	17702-Z8B-801	TUBE, FUEL (FKM)	1	1854820
019	17702-Z8B-801	TUBE, FUEL (FKM)	1	1854820
021	19610-ZOL-851ZA	COVER COMP., FAN *NH1*	1	6702083
021	19610-ZOL-851ZA	COVER COMP., FAN *NH1*	1	
022	19619-ZL8-300	COLLAR, FAN COVER	3	
023	91501-ZOL-800	COLLAR, FUEL COCK	1	8028729
023	91501-ZOL-800	COLLAR, FUEL COCK	1	
023	91501-ZOL-800	COLLAR, FUEL COCK	1	1854820
023	91501-ZOL-800	COLLAR, FUEL COCK	1	6901760
027	90043-ZL8-000	BOLT, STUD (H=42.5MM)	2	
027	90043-ZL8-000	BOLT, STUD (H=42.5MM)	2	
027	90043-ZL8-000	BOLT, STUD (H=42.5MM)	2	
027	90043-ZL8-000	BOLT, STUD (H=42.5MM)	2	
027	90043-ZL8-000	BOLT, STUD (H=42.5MM)	2	
028	90043-ZOJ-900	BOLT, STUD (H=39.5MM)	1	
028	90043-ZOJ-900	BOLT, STUD (H=39.5MM)	1	6702083
028	90043-ZOJ-900	BOLT, STUD (H=39.5MM)	1	
031	93891-0501008	SCREW-WASHER, 5X10	1	1854820
031	93891-0501008	SCREW-WASHER, 5X10	1	8028729
040	95002-4080008	CLAMP, TUBE (D8)	2	1489859
040	95002-4080008	CLAMP, TUBE (D8)	2	1854820
041	95002-4100008	CLAMP, TUBE (D10)	1	
041	95002-4100008	CLAMP, TUBE (D10)	1	1854820
<u>Ref</u>	<u>Partnumber</u>	<u>Description</u>	<u>GCV160LA0</u>	<u>Serial Numbers</u>
042	95002-4120008	CLAMP, TUBE (D12)	1	
042	95002-4120008	CLAMP, TUBE (D12)	1	1854820
050	06175-Z8B-800	TANK KIT, FUEL	1	3116717
050	06175-Z8B-800	TANK KIT, FUEL	1	3406723

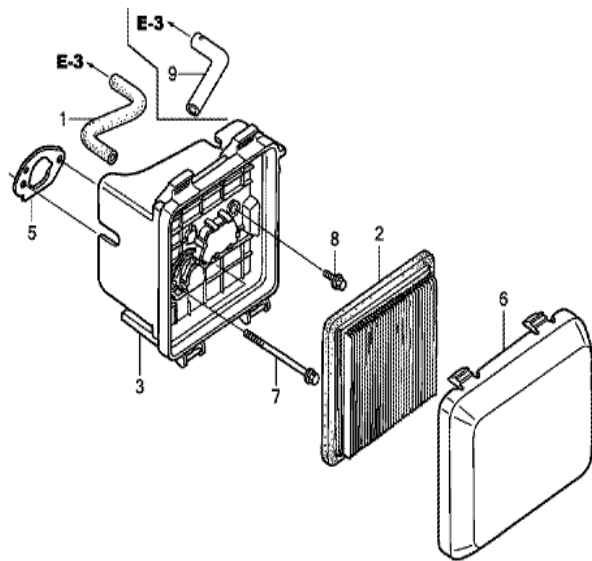
GCV160LA0(N5AF)	E-14 CARBURETOR
-----------------	-----------------



Ref	Partnumber	Description	GCV160LA0	Serial Numbers
001	16010-883-015	PACKING SET	1	
002	16013-ZL1-003	FLOAT SET	1	
003	16015-ZOL-881	CHAMBER SET, FLOAT	1	
003	16015-ZOL-881	CHAMBER SET, FLOAT	1	BB65E B
005	16028-ZE0-005	SCREW SET	1	
007	16100-ZOL-862	CARBURETOR ASSY. (BB65A B)	1	
007	16100-ZOL-862	CARBURETOR ASSY. (BB65A B)	1	1854820
007	16100-ZOL-862	CARBURETOR ASSY. (BB65A B)	1	1854820
007	16100-ZOL-862	CARBURETOR ASSY. (BB65A B)	1	7065312
007	16100-ZOL-862	CARBURETOR ASSY. (BB65A B)	1	1854820
007	16100-ZOL-863	CARBURETOR ASSY. (BB65A B)	1	1854821
007	16100-ZOL-863	CARBURETOR ASSY. (BB65A B)	1	1854821
007	16100-ZOL-863	CARBURETOR ASSY. (BB65A B)	1	1854821 2748628

<u>Ref</u>	<u>Partnumber</u>	<u>Description</u>	<u>GCV160LA0</u>	<u>Serial Numbers</u>
007	16100-Z0L-863	CARBURETOR ASSY. (BB65A B)	1	1854821 2748628
007	16100-Z0L-863	CARBURETOR ASSY. (BB65A B)	1	1854821
007	16100-Z0L-864	CARBURETOR ASSY. (BB65A C)	1	2748629 3151216
007	16100-Z0L-864	CARBURETOR ASSY. (BB65A C)	1	2748629 3151216
007	16100-Z8B-861	CARBURETOR ASSY. (BB71A A)	1	3151217
007	16100-Z8B-861	CARBURETOR ASSY. (BB71A A)	1	3151217
007	16100-Z8B-861	CARBURETOR ASSY. (BB71A A)	1	3151217
008	16155-ZM0-013	VALVE, FLOAT	1	BB62B E
008	16155-ZM0-013	VALVE, FLOAT	1	
009	16166-Z8D-851	NOZZLE, MAIN	1	BB71A A
009	16166-Z8D-851	NOZZLE, MAIN	1	
009	16166-Z8D-851	NOZZLE, MAIN	1	BB71A A
009	16166-ZM0-003	NOZZLE, MAIN	1	
009	16166-ZM0-003	NOZZLE, MAIN	1	
009	16166-ZM0-003	NOZZLE, MAIN	1	
009	16166-ZM0-003	NOZZLE, MAIN	1	BB65A C
009	16166-ZM0-003	NOZZLE, MAIN	1	BB62W C
009	16166-ZM0-003	NOZZLE, MAIN	1	BB65A C
010	16211-Z8B-000	INSULATOR, CARBURETOR	1	3459380
010	16211-Z8B-000	INSULATOR, CARBURETOR	1	3459380
010	16211-ZL8-000	INSULATOR, CARBURETOR	1	
010	16211-ZL8-000	INSULATOR, CARBURETOR	1	3459379
011	16212-ZL8-000	PACKING, INSULATOR	1	
013	16228-ZL8-000	PACKING, CARBURETOR	1	
013	16228-ZL8-000	PACKING, CARBURETOR	1	
015	93500-050061H	SCREW, PAN, 5X6	1	
015	93500-050061H	SCREW, PAN, 5X6	1	BB65A C
016	99101-1240600	JET, MAIN, #60	(1)	
016	99101-1240600	JET, MAIN, #60	(1)	BB65K A
016	99101-1240600	JET, MAIN, #60	(1)	
016	99101-1240620	JET, MAIN, #62	(1)	BB75E A
016	99101-1240620	JET, MAIN, #62	(1)	
016	99101-1240620	JET, MAIN, #62	(1)	BB75E A
<u>Ref</u>	<u>Partnumber</u>	<u>Description</u>	<u>GCV160LA0</u>	<u>Serial Numbers</u>
016	99101-1240620	JET, MAIN, #62	(1)	
016	99101-1240620	JET, MAIN, #62	(1)	BB75E A
016	99101-1240650	JET, MAIN, #65	1	BB65K A
016	99101-1240650	JET, MAIN, #65	1	
016	99101-1240650	JET, MAIN, #65	1	BB65K A
016	99101-1240650	JET, MAIN, #65	1	
016	99101-1240650	JET, MAIN, #65	1	BB65A C
016	99101-1240650	JET, MAIN, #65	1	BB65K A
016	99101-1240680	JET, MAIN, #68	1	BB71A A
016	99101-1240680	JET, MAIN, #68	1	BB75E A
026	19651-Z0L-000	GUIDE, AIR	1	

GCV160LA0(N5AF)	E-15 AIR CLEANER
-----------------	------------------

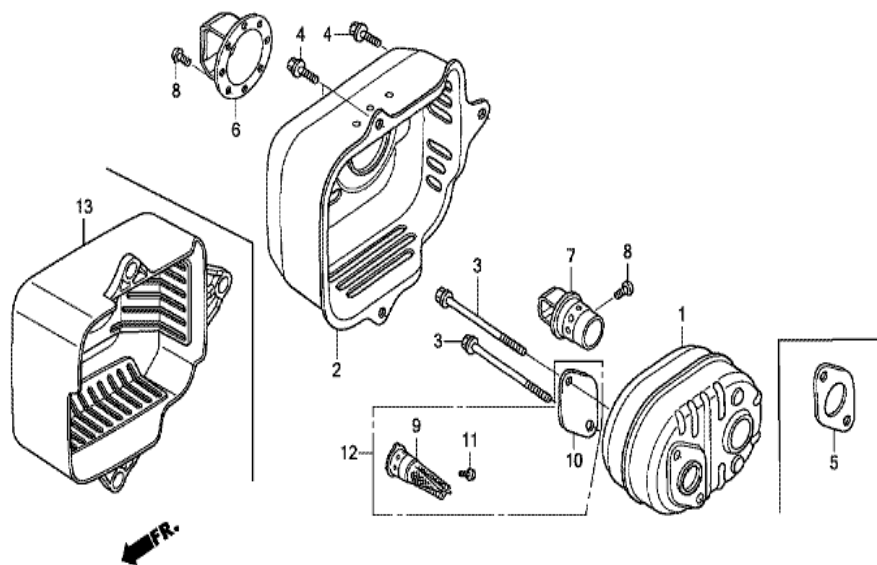


ZM00E1500B

Ref	Partnumber	Description	GCV160LA0	Serial Numbers
001	15721-ZM0-000	TUBE, BREATHER	1	
001	15721-ZM0-000	TUBE, BREATHER	1	
002	17211-Z8B-901	ELEMENT, AIR CLEANER (WIX FILTERS)	1	3680377
002	17211-Z8B-901	ELEMENT, AIR CLEANER (WIX FILTERS)	1	3680377
002	17211-ZL8-023	ELEMENT, AIR CLEANER (TOYO ROKI)	1	
002	17211-ZL8-023	ELEMENT, AIR CLEANER (TOYO ROKI)	1	
002	17211-ZL8-023	ELEMENT, AIR CLEANER (TOYO ROKI)	1	3680376
003	17220-Z8B-000	CASE ASSY., AIR CLEANER	1	3454522
003	17220-Z8B-000	CASE ASSY., AIR CLEANER	1	3454522
003	17220-ZM0-010	CASE ASSY., AIR CLEANER	1	6624356
003	17220-ZM0-010	CASE ASSY., AIR CLEANER	1	
003	17220-ZM0-010	CASE ASSY., AIR CLEANER	1	1079019
003	17220-ZM0-010	CASE ASSY., AIR CLEANER	1	

<u>Ref</u>	<u>Partnumber</u>	<u>Description</u>	<u>GCV160LAO</u>	<u>Serial Numbers</u>
003	17220-ZM0-010	CASE ASSY., AIR CLEANER	1	1167575
003	17220-ZM0-020	CASE ASSY., AIR CLEANER	1	1167576 1239013
003	17220-ZM0-020	CASE ASSY., AIR CLEANER	1	1239013
003	17220-ZM0-020	CASE ASSY., AIR CLEANER	1	1079020
003	17220-ZM0-020	CASE ASSY., AIR CLEANER	1	1167576 1239013
003	17220-ZM0-020	CASE ASSY., AIR CLEANER	1	1167576 1239013
003	17220-ZM0-030	CASE ASSY., AIR CLEANER	1	1239014
003	17220-ZM0-030	CASE ASSY., AIR CLEANER	1	
003	17220-ZM0-030	CASE ASSY., AIR CLEANER	1	
003	17220-ZM0-030	CASE ASSY., AIR CLEANER	1	1239014 3454521
003	17220-ZM0-030	CASE ASSY., AIR CLEANER	1	1239014 3454521
005	17228-Z8B-000	PACKING, AIR CLEANER	1	3006818
005	17228-Z8B-000	PACKING, AIR CLEANER	1	3006818 3454521
005	17228-Z8B-000	PACKING, AIR CLEANER	1	3006818 3454521
005	17228-Z8B-900	PACKING, AIR CLEANER	1	1827258
005	17228-Z8B-900	PACKING, AIR CLEANER	1	3454522
005	17228-ZM0-000	PACKING, AIR CLEANER	1	
005	17228-ZM0-000	PACKING, AIR CLEANER	1	
005	17228-ZM0-000	PACKING, AIR CLEANER	1	1546574
005	17228-ZM0-000	PACKING, AIR CLEANER	1	3006817
006	17231-Z0L-030	COVER, AIR CLEANER	1	1167575
006	17231-Z0L-030	COVER, AIR CLEANER	1	1117443
006	17231-Z0L-050	COVER, AIR CLEANER	1	1117444
006	17231-Z0L-050	COVER, AIR CLEANER	1	1167576
007	90003-Z8B-900	BOLT, SPECIAL, 6MM	2	3454522
007	90003-Z8B-900	BOLT, SPECIAL, 6MM	2	3454522
007	90003-ZM0-010	BOLT, FLANGE, 6X85 (CT200)	2	
007	90003-ZM0-010	BOLT, FLANGE, 6X85 (CT200)	2	
007	90003-ZM0-010	BOLT, FLANGE, 6X85 (CT200)	2	
007	90003-ZM0-010	BOLT, FLANGE, 6X85 (CT200)	2	3454521
007	90003-ZM0-010	BOLT, FLANGE, 6X85 (CT200)	2	6349023

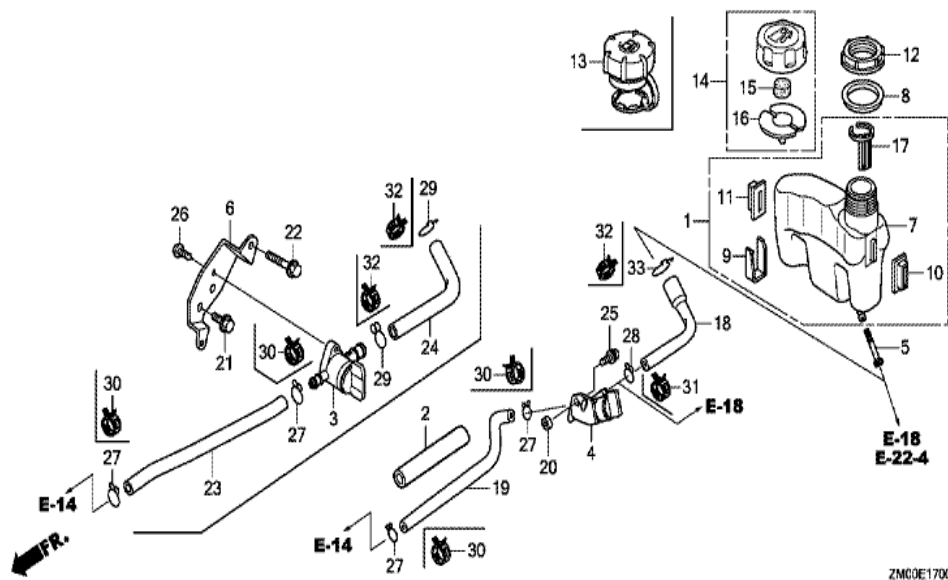
GCV160LA0(N5AF)	E-16 MUFFLER
-----------------	--------------



ZMC0E16003

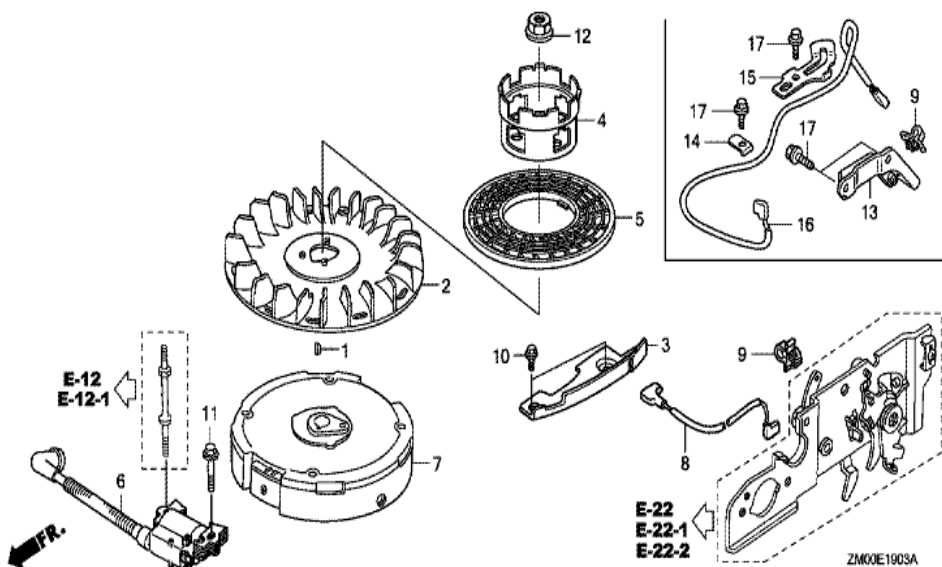
<u>Ref</u>	<u>Partnumber</u>	<u>Description</u>	<u>GCV160LA0</u>	<u>Serial Numbers</u>
001	18310-ZM0-000	MUFFLER COMP.	1	
001	18310-ZM0-000	MUFFLER COMP.	1	
001	18310-ZM0-000	MUFFLER COMP.	1	
002	18321-Z0L-000	PROTECTOR, MUFFLER	1	
002	18321-Z0L-000	PROTECTOR, MUFFLER	1	1152561
002	18321-Z0L-000	PROTECTOR, MUFFLER	1	1237556
002	18321-Z0L-010	PROTECTOR, MUFFLER	1	1237557
002	18321-Z0L-010	PROTECTOR, MUFFLER	1	1152562
002	18321-Z0L-010	PROTECTOR, MUFFLER	1	1237557
003	90004-ZL8-000	BOLT, FLANGE, 6X79 (CT200)	2	
003	90004-ZL8-000	BOLT, FLANGE, 6X79 (CT200)	2	
004	90013-883-000	BOLT, FLANGE, 6X12 (CT200)	3	
005	18381-ZL8-305	GASKET, MUFFLER	1	
<u>Ref</u>	<u>Partnumber</u>	<u>Description</u>	<u>GCV160LA0</u>	<u>Serial Numbers</u>
005	18381-ZL8-305	GASKET, MUFFLER	(1)	
009	18350-ZL8-000	ARRESTER COMP., SPARK	1	
009	18350-ZL8-000	ARRESTER COMP., SPARK	(1)	
010	18356-ZL8-000	PLATE, ARRESTER NUMBER	(1)	
011	90055-ZE1-000	SCREW, TAPPING, 4X6	1	
011	90055-ZE1-000	SCREW, TAPPING, 4X6	(1)	
012	06180-Z0J-000	ARRESTER KIT, SPARK	(1)	

GCV160LA0(N5AF)	E-17 FUEL TANK
-----------------	----------------



Ref	Partnumber	Description	GCV160LA0	Serial Numbers
001	06175-Z8B-800	TANK KIT, FUEL	1	3116717
002	16854-ZH8-000	RUBBER, SUPPORTER (107MM)	1	1854820
004	16950-ZM0-003	COCK ASSY., FUEL	1	1854820
005	16952-Z8B-000	STRAINER, FUEL	1	1851726
005	16952-Z8B-000	STRAINER, FUEL	1	2240293
005	16952-ZA8-800	STRAINER, FUEL	1	1428001
005	16952-ZA8-800	STRAINER, FUEL	1	2240292
007	17511-Z8B-800	TANK, FUEL	1	1851726
007	17511-Z8B-800	TANK, FUEL	1	3116718
008	17514-ZOL-000	SEAL, FUEL FILLER NECK	1	
009	17516-ZOL-000	CLIP, TANK MOUNTING	1	
010	17532-Z8B-800	RUBBER A, TANK MOUNTING	1	1851726
010	17532-Z8B-800	RUBBER A, TANK MOUNTING	1	3116718
Ref	Partnumber	Description	GCV160LA0	Serial Numbers
011	17533-Z8B-800	RUBBER B, TANK MOUNTING	1	1851726
011	17533-Z8B-800	RUBBER B, TANK MOUNTING	1	3116718
012	17534-ZOL-000	NUT, TANK MOUNTING	1	
013	17620-ZOJ-800	CAP ASSY., FUEL TANK	1	
017	17636-ZOL-010	GAUGE, FUEL LEVEL	1	
018	17701-Z8B-811	TUBE, FUEL TANK (FKM)	1	
018	17701-Z8B-811	TUBE, FUEL TANK (FKM)	1	1854820
019	17702-Z8B-801	TUBE, FUEL (FKM)	1	1854820
020	91501-ZOL-800	COLLAR, FUEL COCK	1	1854820
025	93891-0501008	SCREW-WASHER, 5X10	1	1854820
030	95002-4080008	CLAMP, TUBE (D8)	2	1854820
031	95002-4100008	CLAMP, TUBE (D10)	1	1854820
032	95002-4120008	CLAMP, TUBE (D12)	1	1854820

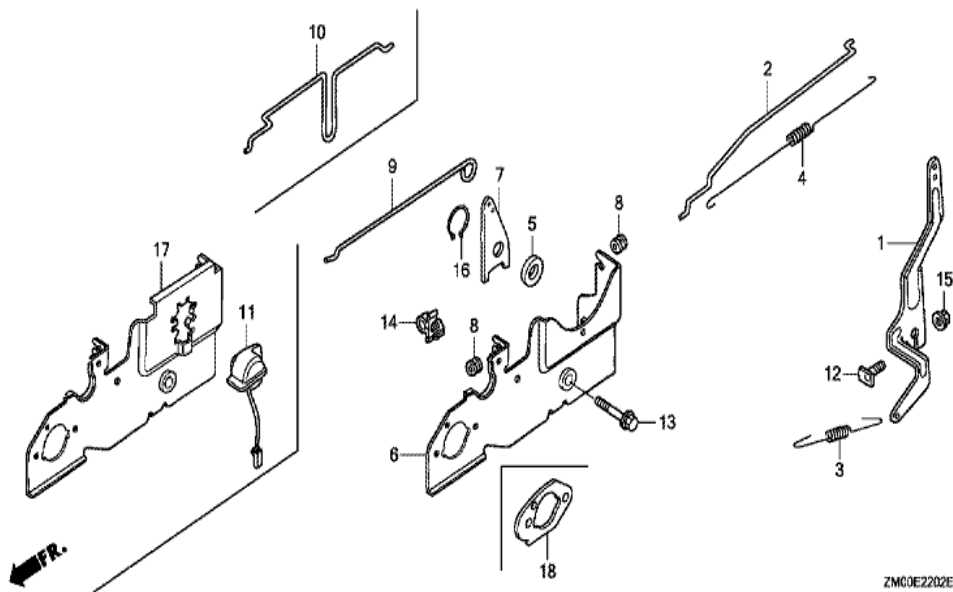
GCV160LA0(N5AF)	E-19-3 FLYWHEEL (4)
-----------------	---------------------



Ref	Partnumber	Description	GCV160LA0	Serial Numbers
001	13331-357-000	KEY, SPECIAL WOODRUFF, 25X18	1	3541630
001	13331-357-000	KEY, SPECIAL WOODRUFF, 25X18	1	6702083
001	13331-Z8B-900	KEY, SPECIAL WOODRUFF, 25X18	1	3541631
002	19511-Z0J-900	FAN, COOLING	1	
003	19612-Z0L-000	PLATE, SIDE	1	
004	28451-Z0J-900	PULLEY, STARTER	1	
006	30500-Z0J-004	COIL ASSY., IGNITION (TOYO)	1	3541630
006	30500-Z0J-004	COIL ASSY., IGNITION (TOYO)	1	3541630
006	30500-Z8B-911	COIL ASSY., IGNITION (PHELON)	1	3541631
006	30500-Z8B-911	COIL ASSY., IGNITION (PHELON)	1	3541631
007	31110-Z0J-004	FLYWHEEL COMP.	1	4623618
007	31110-Z0J-004	FLYWHEEL COMP.	1	4623618
007	31110-Z0J-014	FLYWHEEL COMP.	1	4623619
Ref	Partnumber	Description	GCV160LA0	Serial Numbers
010	90013-883-000	BOLT, FLANGE, 6X12 (CT200)	2	
011	90018-ZE1-000	BOLT, FLANGE, 6X23 (CT200)	1	
012	90201-ZOT-800	NUT, SPECIAL, 14MM	1	

GCV160LA0(N5AF)

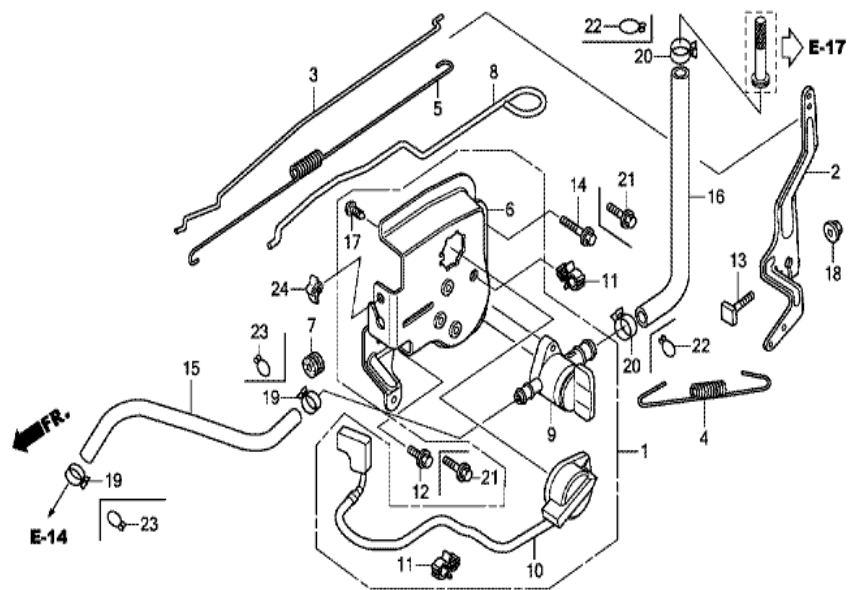
E-22-2 CONTROL (3)



ZM0E2202E

Ref	Partnumber	Description	GCV160LA0	Serial Numbers
001	16551-ZM0-010	ARM, GOVERNOR	1	1854820
002	16555-ZOL-801	ROD, GOVERNOR	1	1854820
002	16555-ZOL-801	ROD, GOVERNOR	1	6349023
003	16561-ZM0-V30	SPRING, GOVERNOR	1	1854820
004	16562-ZM0-000	SPRING, THROTTLE RETURN	1	1854820
008	16613-893-000	GROMMET, CHOKE ROD	1	
008	16613-893-000	GROMMET, CHOKE ROD	2	1854820
009	16674-ZOL-800	ROD, CHOKE	1	1854820
011	35120-ZOL-901	SWITCH ASSY., ENGINE STOP	1	6702083
011	35120-ZOL-901	SWITCH ASSY., ENGINE STOP	1	1854820
011	35120-ZOL-901	SWITCH ASSY., ENGINE STOP	1	6702083
011	35120-ZOL-901	SWITCH ASSY., ENGINE STOP	1	6702083
012	90015-ZE5-010	BOLT, GOVERNOR ARM	1	1854820
Ref	Partnumber	Description	GCV160LA0	Serial Numbers
013	90016-ZE8-000	BOLT, FLANGE, 6X45 (CT200)	1	1854820
013	90016-ZE8-000	BOLT, FLANGE, 6X45 (CT200)	1	8028729
014	51125-ZOL-003	HOLDER, WIRE (FASTEX)	1	1854820
014	51125-ZOL-003	HOLDER, WIRE (FASTEX)	1	1854820
014	90681-959-003	CLIP A, CABLE (NIFCO) (3.8MM BLACK)	1	
014	90681-959-003	CLIP A, CABLE (NIFCO) (3.8MM BLACK)	1	1854820
015	94050-06000	NUT, FLANGE, 6MM	1	1854820
017	16580-ZOL-800	BASE COMP., CONTROL	1	1854820

GCV160LA0(N5AF)	E-22-4 CONTROL (4)
-----------------	--------------------

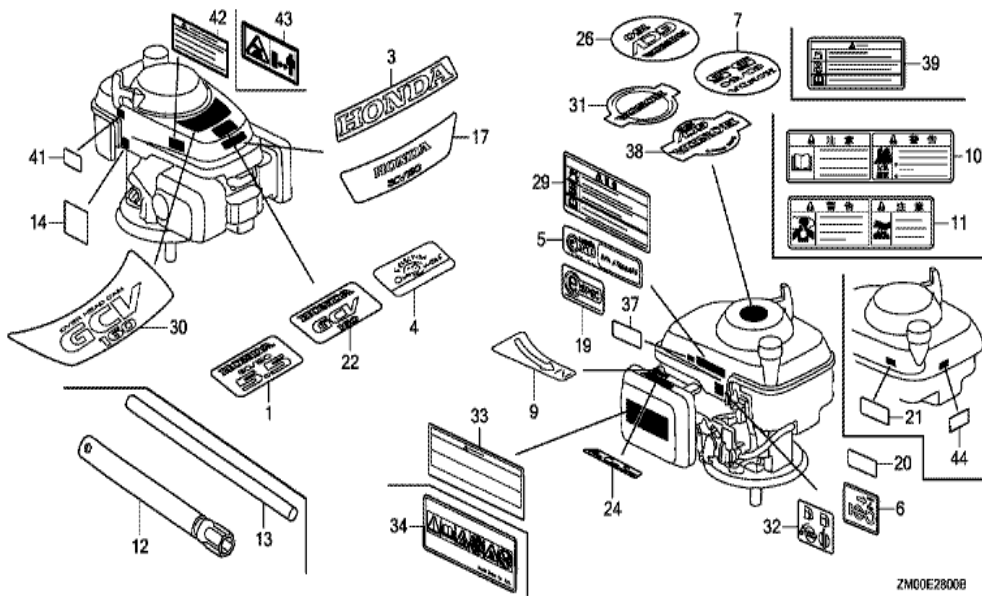


ZM00E2204C

Ref	Partnumber	Description	GCV160LA0	Serial Numbers
001	16500-Z8D-000	CONTROL ASSY.	1	1854821
002	16551-ZM0-010	ARM, GOVERNOR	1	
002	16551-ZM0-010	ARM, GOVERNOR	1	1854821
003	16555-Z0L-801	ROD, GOVERNOR	1	
003	16555-Z0L-801	ROD, GOVERNOR	1	1854821
004	16561-Z8B-V30	SPRING, GOVERNOR	1	1854821
004	16561-Z8B-V30	SPRING, GOVERNOR	1	1854821
004	16561-Z8B-V30	SPRING, GOVERNOR	1	
004	16561-Z8B-V30	SPRING, GOVERNOR	1	1854821
005	16562-ZM0-000	SPRING, THROTTLE RETURN	1	
005	16562-ZM0-000	SPRING, THROTTLE RETURN	1	1854821
006	16581-Z8D-000	BASE, CONTROL	1	
006	16581-Z8D-000	BASE, CONTROL	1	1854821

<u>Ref</u>	<u>Partnumber</u>	<u>Description</u>	<u>GCV160LA0</u>	<u>Serial Numbers</u>
007	16613-893-000	GROMMET, CHOKE ROD	1	
007	16613-893-000	GROMMET, CHOKE ROD	1	1854821
008	16674-Z8D-800	ROD, CHOKE	1	
008	16674-Z8D-800	ROD, CHOKE	1	1854821
009	16950-Z0Y-003	COCK ASSY., FUEL	1	
009	16950-Z0Y-003	COCK ASSY., FUEL	1	1854821
010	35120-Z8B-911	SWITCH ASSY., ENGINE STOP	1	3541631
010	35120-Z8B-911	SWITCH ASSY., ENGINE STOP	1	3541631
010	35120-Z8D-901	SWITCH ASSY., ENGINE STOP	1	1854821
010	35120-Z8D-901	SWITCH ASSY., ENGINE STOP	1	1854821 3541630
011	51125-Z0L-003	HOLDER, WIRE (FASTEX)	1	
011	51125-Z0L-003	HOLDER, WIRE (FASTEX)	2	1854821
012	90013-883-000	BOLT, FLANGE, 6X12 (CT200)	1	
012	90013-883-000	BOLT, FLANGE, 6X12 (CT200)	1	1854821
013	90015-ZE5-010	BOLT, GOVERNOR ARM	1	
013	90015-ZE5-010	BOLT, GOVERNOR ARM	1	1854821
014	90017-883-000	BOLT, FLANGE, 6X32 (CT200)	1	
014	90017-883-000	BOLT, FLANGE, 6X32 (CT200)	1	1854821
015	91424-Z8D-801	TUBE, FUEL, 4.5X140 (FKM)	1	1854821
015	91424-Z8D-801	TUBE, FUEL, 4.5X140 (FKM)	1	1854821 2748628
015	91424-Z8D-901	TUBE, FUEL, 4.5X140	1	
015	91424-Z8D-901	TUBE, FUEL, 4.5X140	1	2748629
016	91427-Z8D-801	TUBE, FUEL, 7.3X145 (FKM)	1	1854821
016	91427-Z8D-801	TUBE, FUEL, 7.3X145 (FKM)	1	1854821 2748628
016	91427-Z8D-901	TUBE, FUEL, 7.3X145	1	
016	91427-Z8D-901	TUBE, FUEL, 7.3X145	1	2748629
017	93913-25220	SCREW, TAPPING, 5X12 (PO)	1	
017	93913-25220	SCREW, TAPPING, 5X12 (PO)	1	1854821
018	94050-06000	NUT, FLANGE, 6MM	1	
018	94050-06000	NUT, FLANGE, 6MM	1	1854821
019	95002-4080008	CLAMP, TUBE (D8)	2	1854821
019	95002-4080008	CLAMP, TUBE (D8)	2	1854821 2748628
020	95002-4120008	CLAMP, TUBE (D12)	2	1854821
<u>Ref</u>	<u>Partnumber</u>	<u>Description</u>	<u>GCV160LA0</u>	<u>Serial Numbers</u>
020	95002-4120008	CLAMP, TUBE (D12)	2	1854821 2748628
022	95002-02130	CLIP, TUBE (B12.5)	2	2748629
023	95002-50000	CLIP, TUBE (C9)	2	2748629

GCV160LA0(N5AF)	E-28 LABEL/TOOL
-----------------	-----------------

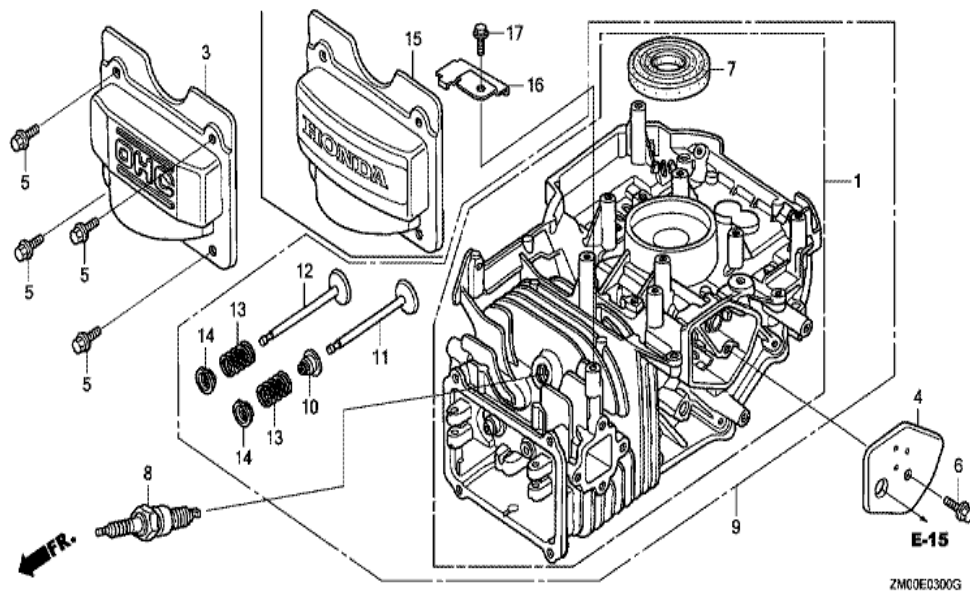


ZMG0E28008

Ref	Partnumber	Description	GCV160LA0	Serial Numbers
006	87528-ZL8-000	MARK, CHOKE	1	
020	87114-ZH7-821	LABEL, WARNING (NOT CERTIFIED FOR SALE)	1	2075803
020	87114-ZH7-821	LABEL, WARNING (NOT CERTIFIED FOR SALE)	1	
030	87101-Z8B-000	MARK, EMBLEM (GCV160)	1	
031	87169-Z8E-000	MARK, RECOIL COVER	1	
032	87524-Z8B-000	MARK, FUEL COCK CAUTION	1	

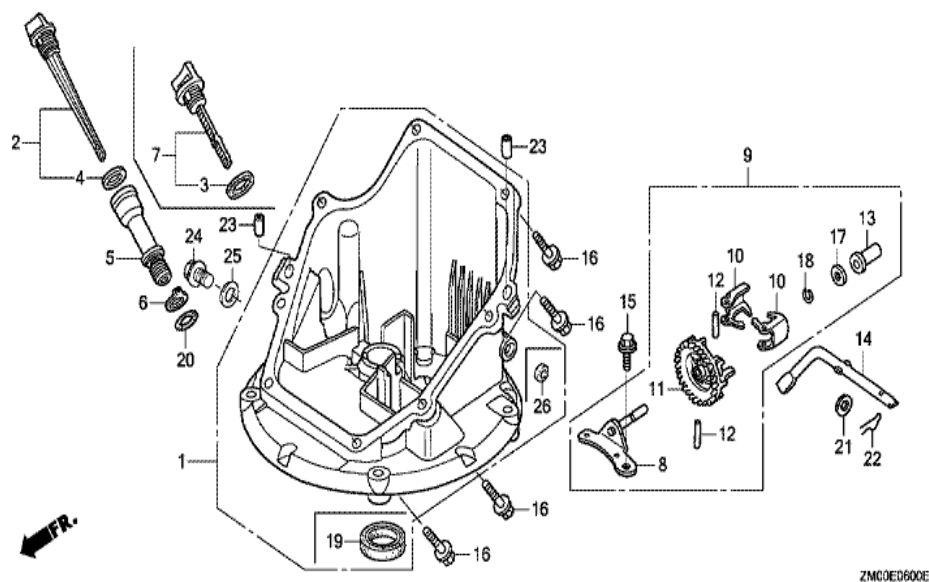
GCV160LA0(N5AF)

E-3 CYLINDER BARREL



Ref	Partnumber	Description	GCV160LA0	Serial Numbers
001	12000-Z0L-406	BARREL ASSY., CYLINDER	1	1231612
001	12000-Z0L-406	BARREL ASSY., CYLINDER	1	
003	12311-ZL8-000	COVER, HEAD	1	
003	12311-ZL8-000	COVER, HEAD	1	1677021
003	12311-ZL8-000	COVER, HEAD	1	3228868
004	12355-ZL8-000	COVER COMP., BREATHER	1	
005	90013-883-000	BOLT, FLANGE, 6X12 (CT200)	4	
006	90014-952-000	BOLT, FLANGE, 6X14 (CT200)	1	
007	91201-ZL8-003	OIL SEAL, 25.4X62X6	1	
007	91201-ZL8-003	OIL SEAL, 25.4X62X6	1	
008	98079-56846	PLUG, SPARK (BPR6ES) (NGK)	1	
008	98079-56846	PLUG, SPARK (BPR6ES) (NGK)	1	
008	98079-56846	PLUG, SPARK (BPR6ES) (NGK)	1	2218977
Ref	Partnumber	Description	GCV160LA0	Serial Numbers
010	12209-ZM0-003	SEAL, VALVE STEM	1	
010	12209-ZM0-003	SEAL, VALVE STEM	1	
011	14711-Z0J-000	VALVE, IN. (ROCKNEL)	1	
011	14711-Z0J-000	VALVE, IN. (ROCKNEL)	1	6330748
011	14711-Z0J-800	VALVE, IN.	1	
011	14711-ZL8-000	VALVE, IN. (TECHNOSTAR)	1	
011	14711-ZL8-000	VALVE, IN. (TECHNOSTAR)	1	
012	14721-ZL8-000	VALVE, EX. (L8E)	1	
012	14721-ZL8-000	VALVE, EX. (L8E)	1	
013	14751-ZL8-000	SPRING, VALVE	2	
014	14771-Z0J-000	RETAINER, VALVE SPRING	2	
014	14771-Z0J-000	RETAINER, VALVE SPRING	2	
015	12311-Z8B-000	COVER, HEAD	1	1677022
015	12311-Z8B-000	COVER, HEAD	1	3228869

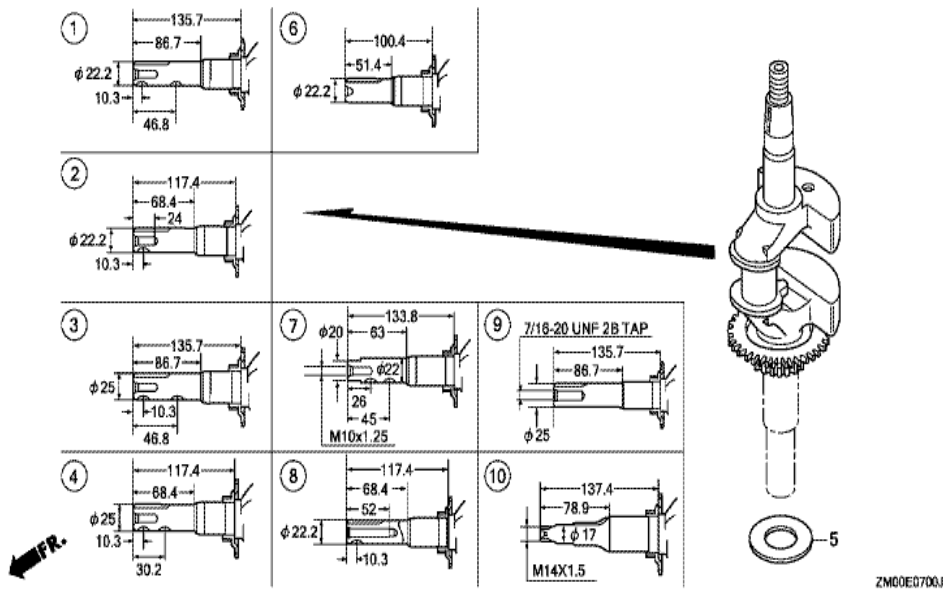
GCV160LA0(N5AF)	E-6 OIL PAN
-----------------	-------------



Ref	Partnumber	Description	GCV160LA0	Serial Numbers
001	11300-ZOL-405	PAN ASSY., OIL	1	
001	11300-ZOL-405	PAN ASSY., OIL	1	
003	15625-Z2L-801	PACKING, OIL FILLER CAP	1	
003	15625-Z2L-801	PACKING, OIL FILLER CAP	1	3724307
007	15650-ZOL-000	GAUGE ASSY., OIL LEVEL	1	
007	15650-ZOL-000	GAUGE ASSY., OIL LEVEL	1	3724307
008	16508-ZM0-010	SHAFT COMP., GOVERNOR HOLDER	1	
008	16508-ZM0-010	SHAFT COMP., GOVERNOR HOLDER	1	
008	16508-ZM0-010	SHAFT COMP., GOVERNOR HOLDER	1	
009	16510-ZM0-010	GOVERNOR ASSY.	1	
009	16510-ZM0-010	GOVERNOR ASSY.	1	
009	16510-ZM0-010	GOVERNOR ASSY.	1	
010	16511-ZL8-000	WEIGHT, GOVERNOR	2	

<u>Ref</u>	<u>Partnumber</u>	<u>Description</u>	<u>GCV160LA0</u>	<u>Serial Numbers</u>
010	16511-ZL8-000	WEIGHT, GOVERNOR	2	
011	16512-ZM0-000	HOLDER, GOVERNOR WEIGHT	1	
011	16512-ZM0-000	HOLDER, GOVERNOR WEIGHT	1	
012	16513-ZE1-000	PIN, GOVERNOR WEIGHT	2	
013	16531-ZE1-000	SLIDER, GOVERNOR	1	
013	16531-ZE1-000	SLIDER, GOVERNOR	1	
014	16541-Z8B-000	SHAFT, GOVERNOR ARM	1	1642936
014	16541-Z8B-000	SHAFT, GOVERNOR ARM	1	1642936
014	16541-ZM0-000	SHAFT, GOVERNOR ARM	1	
014	16541-ZM0-000	SHAFT, GOVERNOR ARM	1	1642935
015	90014-952-000	BOLT, FLANGE, 6X14 (CT200)	1	
016	90121-952-000	BOLT, FLANGE, 6X25 (CT200)	8	
016	90121-952-000	BOLT, FLANGE, 6X25 (CT200)	8	
016	90121-952-000	BOLT, FLANGE, 6X25 (CT200)	8	
017	90451-ZE1-000	WASHER, THRUST, 6MM	1	
017	90451-ZE1-000	WASHER, THRUST, 6MM	1	
018	90602-ZE1-000	CLIP, GOVERNOR HOLDER	1	
018	90602-ZE1-000	CLIP, GOVERNOR HOLDER	1	
019	91202-ZM0-V31	OIL SEAL, 28X41.25X6 (NOK)	1	
019	91202-ZM0-V31	OIL SEAL, 28X41.25X6 (NOK)	1	
021	94101-06800	WASHER, PLAIN, 6MM	1	
022	94251-08000	PIN, LOCK, 8MM	1	
023	94301-08200	DOWEL PIN, 8X20	2	
023	94301-08200	DOWEL PIN, 8X20	2	
024	90131-883-000	BOLT, DRAIN PLUG, 12X15	1	
025	94109-12000	WASHER, DRAIN PLUG, 12MM	1	

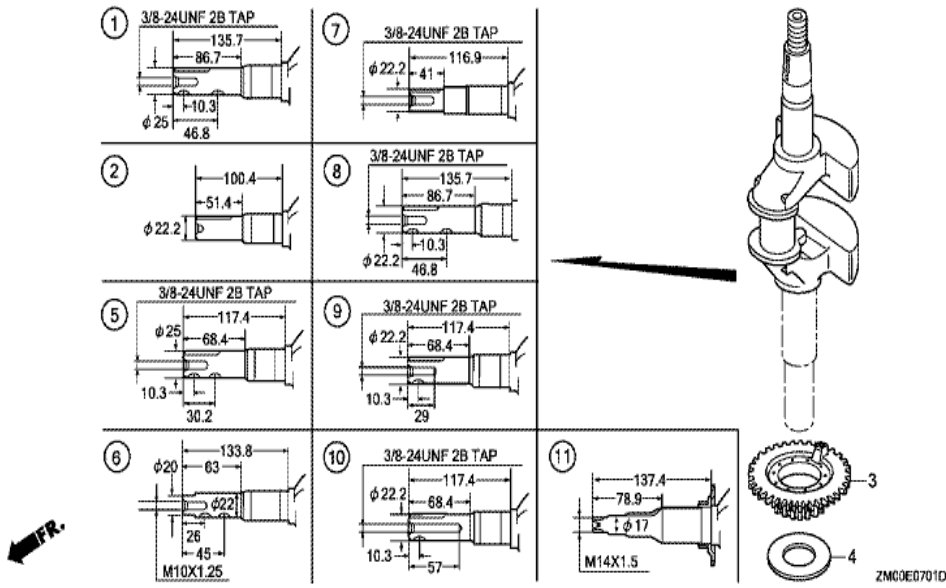
GCV160LA0(N5AF)	E-7 CRANKSHAFT (1)
-----------------	--------------------



Ref	Partnumber	Description	GCV160LA0	Serial Numbers
005	90402-ZL8-000	WASHER, THRUST	1	3541630
006	13310-ZOL-650	CRANKSHAFT COMP.	1	3541630

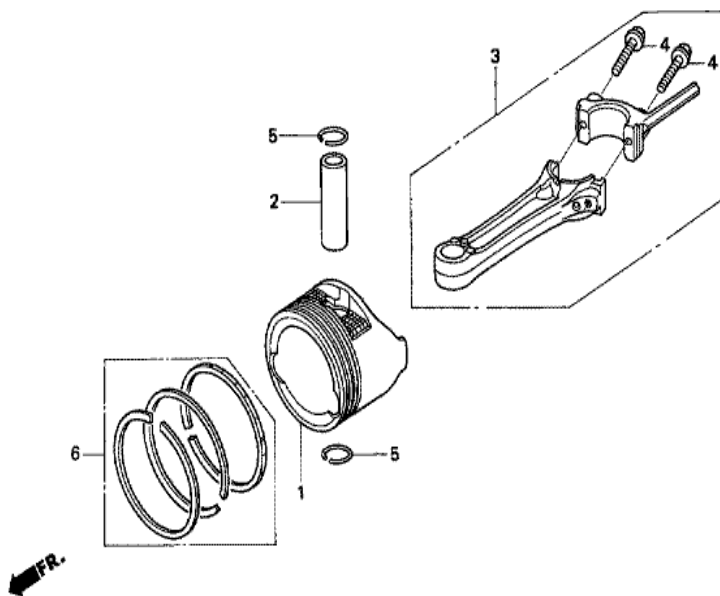
GCV160LA0(N5AF)

E-7-1 CRANKSHAFT (2)



Ref	Partnumber	Description	GCV160LA0	Serial Numbers
002	13311-Z8B-910	CRANKSHAFT	1	3541631
003	13621-Z8B-900	PULLEY, TIMING BELT DRIVE	1	3541631
004	90402-ZL8-000	WASHER, THRUST	1	3541631

GCV160LA0(N5AF)	E-8 PISTON/CONNECTING ROD
-----------------	---------------------------



ZM00-B0800A

Ref	Partnumber	Description	GCV160LA0	Serial Numbers
001	13101-Z2A-010	PISTON	1	5383515
001	13101-Z2A-010	PISTON	1	3151054
001	13101-Z2A-010	PISTON	1	3151054
001	13101-Z8B-820	PISTON	1	3151055
001	13101-Z8B-820	PISTON	1	3151055
002	13111-ZE0-000	PIN, PISTON	1	
002	13111-ZE0-000	PIN, PISTON	1	
002	13111-ZE0-000	PIN, PISTON	1	
002	13111-ZE0-000	PIN, PISTON	1	
003	13200-Z0J-000	ROD ASSY., CONNECTING	1	
003	13200-Z0J-000	ROD ASSY., CONNECTING	1	
004	90001-ZE1-000	BOLT, CONNECTING ROD	2	
004	90001-ZE1-000	BOLT, CONNECTING ROD	2	
Ref	Partnumber	Description	GCV160LA0	Serial Numbers
005	90551-ZE0-000	CLIP, PISTON PIN, 13MM	2	
006	13010-Z0L-014	RING SET, PISTON (STD.) (TEIKOKU)	1	2033979
006	13010-Z0L-014	RING SET, PISTON (STD.) (TEIKOKU)	1	