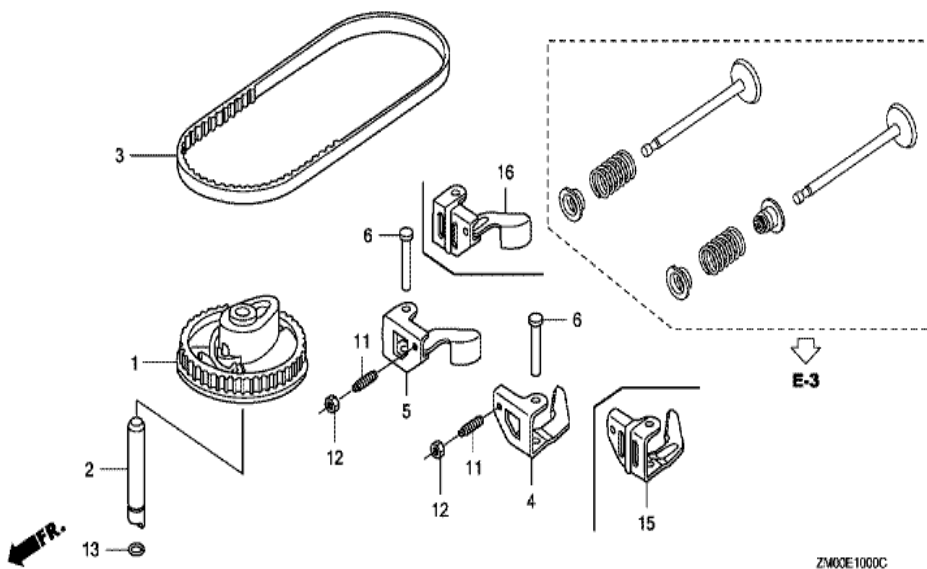
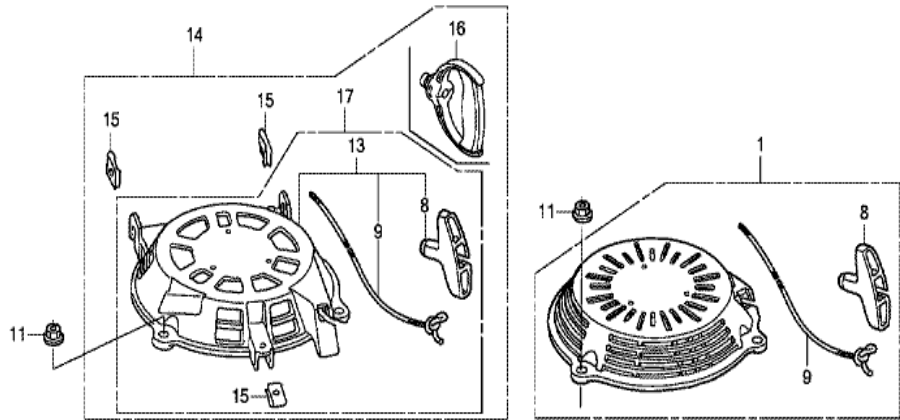


GCV160A(S3H)	E-10 CAMSHAFT PULLEY
--------------	----------------------



<u>Ref</u>	<u>Partnumber</u>	<u>Description</u>	<u>GCV160A</u>	<u>Serial Numbers</u>
001	14320-ZL8-010	PULLEY COMP., CAMSHAFT	1	
001	14320-ZL8-010	PULLEY COMP., CAMSHAFT	1	
001	14320-ZL8-010	PULLEY COMP., CAMSHAFT	1	
001	14320-ZL8-010	PULLEY COMP., CAMSHAFT	1	
002	14324-ZL8-000	SHAFT, CAM PULLEY	1	
002	14324-ZL8-000	SHAFT, CAM PULLEY	1	
003	14400-Z0J-014	BELT, TIMING (84HU7 G-200)	1	
003	14400-Z0J-014	BELT, TIMING (84HU7 G-200)	1	
006	14461-ZL8-000	SHAFT, ROCKER ARM	2	
011	90012-333-000	SCREW, TAPPET ADJUSTING	2	
012	90206-001-000	NUT, TAPPET ADJUSTING	2	
013	91301-ZM0-V31	O-RING, 6.8X1.9 (ARAI)	1	
013	91301-ZM0-V31	O-RING, 6.8X1.9 (ARAI)	1	
<u>Ref</u>	<u>Partnumber</u>	<u>Description</u>	<u>GCV160A</u>	<u>Serial Numbers</u>
015	14431-Z0J-000	ARM, IN. VALVE ROCKER	1	
016	14441-Z0J-000	ARM, EX. VALVE ROCKER	1	

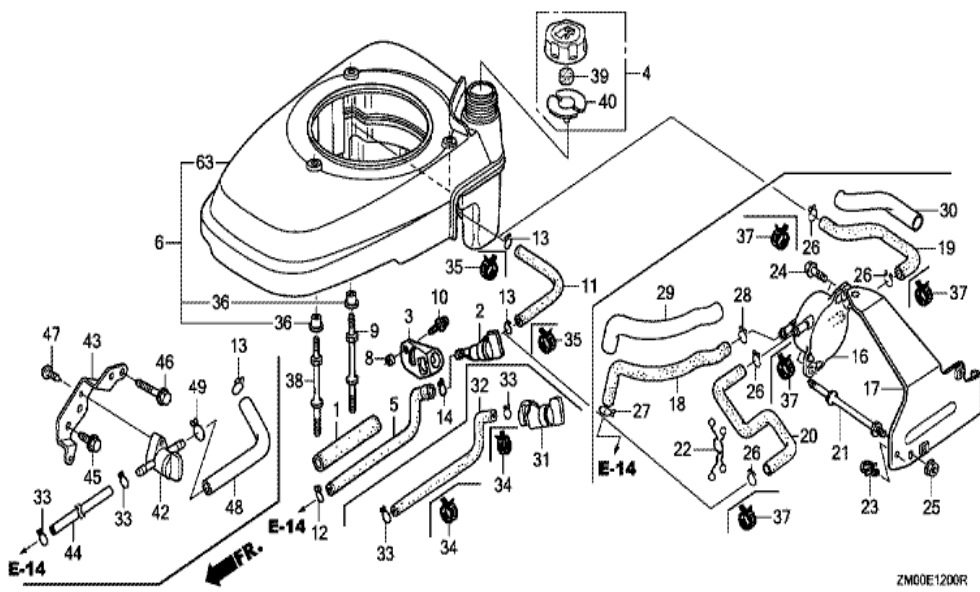
GCV160A(S3H)	E-11 RECOIL STARTER
--------------	---------------------



ZM0E1100J

Ref	Partnumber	Description	GCV160A	Serial Numbers
001	28400-ZM0-633ZA	STARTER ASSY., RECOIL (LONG ROPE) *NH1*	1	
001	28400-ZM0-633ZA	STARTER ASSY., RECOIL (LONG ROPE) *NH1*	1	
001	28400-ZM0-633ZA	STARTER ASSY., RECOIL (LONG ROPE) *NH1*	1	
001	28400-ZM0-633ZA	STARTER ASSY., RECOIL (LONG ROPE) *NH1*	1	
001	28400-ZM0-633ZA	STARTER ASSY., RECOIL (LONG ROPE) *NH1*	1	
008	28461-ZL8-003	GRIP, STARTER	1	
009	28462-ZL8-631	ROPE, RECOIL STARTER (LONG TYPE)	1	3396966
009	28462-ZL8-631	ROPE, RECOIL STARTER (LONG TYPE)	1	
011	90201-ZM0-000	NUT, FLANGE, 6MM	3	

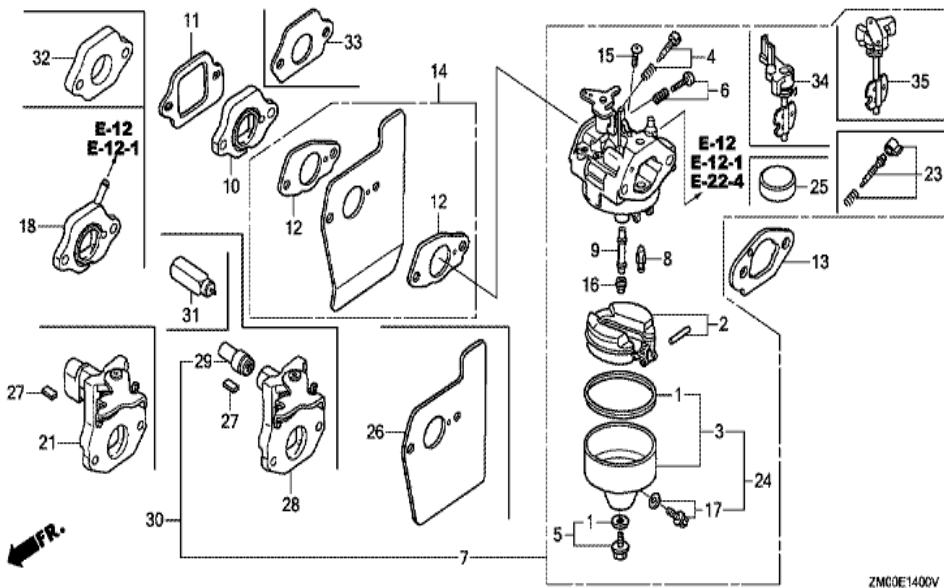
GCV160A(S3H)	E-12 FAN COVER (1)
--------------	--------------------



Ref	Partnumber	Description	GCV160A	Serial Numbers
001	16854-ZH8-000	RUBBER, SUPPORTER (107MM)	1	
004	17620-ZL8-013	CAP ASSY., FUEL TANK	1	2226713
004	17620-ZL8-013	CAP ASSY., FUEL TANK	1	
004	17620-ZL8-013	CAP ASSY., FUEL TANK	1	
006	19610-ZOL-000ZA	COVER COMP., FAN *NH1 *	1	
006	19610-ZOL-000ZA	COVER COMP., FAN *NH1 *	1	7081943
006	19610-ZOL-000ZD	COVER COMP., FAN *R280 *	1	
008	91501-ZOL-800	COLLAR, FUEL COCK	1	
008	91501-ZOL-800	COLLAR, FUEL COCK	1	
009	90043-ZL8-000	BOLT, STUD (H=42.5MM)	2	
009	90043-ZL8-000	BOLT, STUD (H=42.5MM)	2	
009	90043-ZL8-000	BOLT, STUD (H=42.5MM)	2	
009	90043-ZL8-000	BOLT, STUD (H=42.5MM)	2	

<u>Ref</u>	<u>Partnumber</u>	<u>Description</u>	<u>GCV160A</u>	<u>Serial Numbers</u>
009	90043-ZL8-000	BOLT, STUD (H=42.5MM)	2	
010	93891-0501008	SCREW-WASHER, 5X10	1	
011	91425-ZOL-801	TUBE, FUEL, 5.3X150 (FKM)	1	3698327
011	91425-ZOL-801	TUBE, FUEL, 5.3X150 (FKM)	1	4803408
011	95001-5515040	TUBE, FUEL, 5.3X150 (95001-55001-60M)	1	2075802
011	95001-5515040	TUBE, FUEL, 5.3X150 (95001-55001-60M)	1	2075802
011	95001-5515040	TUBE, FUEL, 5.3X150 (95001-55001-60M)	1	3176791
011	95001-5515040	TUBE, FUEL, 5.3X150 (95001-55001-60M)	1	3698326
011	95001-5515040	TUBE, FUEL, 5.3X150 (95001-55001-60M)	1	4803407
013	95002-02100	CLIP, TUBE (B10)	1	
013	95002-02100	CLIP, TUBE (B10)	2	1851725
013	95002-02100	CLIP, TUBE (B10)	2	3176791
013	95002-02100	CLIP, TUBE (B10)	2	3698326
013	95002-02100	CLIP, TUBE (B10)	2	4062255
013	95002-02100	CLIP, TUBE (B10)	2	4803407
031	16950-ZM0-003	COCK ASSY., FUEL	1	
031	16950-ZM0-003	COCK ASSY., FUEL	1	1091838
032	17702-ZOL-801	TUBE, FUEL (FKM)	1	3698327
032	17702-ZOL-801	TUBE, FUEL (FKM)	1	4803408
032	17702-ZM0-800	TUBE, FUEL	1	2439089
032	17702-ZM0-800	TUBE, FUEL	1	1851725
032	17702-ZM0-800	TUBE, FUEL	1	3176791
032	17702-ZM0-800	TUBE, FUEL	1	3698326
032	17702-ZM0-800	TUBE, FUEL	1	4803407
033	95002-02080	CLIP, TUBE (B8)	2	
033	95002-02080	CLIP, TUBE (B8)	2	4030139
033	95002-02080	CLIP, TUBE (B8)	2	4803407
034	95002-4080008	CLAMP, TUBE (D8)	2	
034	95002-4080008	CLAMP, TUBE (D8)	2	4062256
034	95002-4080008	CLAMP, TUBE (D8)	2	4803408
035	95002-4100008	CLAMP, TUBE (D10)	2	
035	95002-4100008	CLAMP, TUBE (D10)	2	4062256
035	95002-4100008	CLAMP, TUBE (D10)	2	4803408
<u>Ref</u>	<u>Partnumber</u>	<u>Description</u>	<u>GCV160A</u>	<u>Serial Numbers</u>
036	19619-ZL8-300	COLLAR, FAN COVER	3	
038	90043-ZL8-000	BOLT, STUD (H=42.5MM)	1	
038	90043-ZL8-000	BOLT, STUD (H=42.5MM)	1	
038	90043-ZL8-000	BOLT, STUD (H=42.5MM)	1	
038	90043-ZL8-000	BOLT, STUD (H=42.5MM)	1	
038	90043-ZL8-000	BOLT, STUD (H=42.5MM)	1	
038	90043-ZL8-000	BOLT, STUD (H=42.5MM)	1	
039	17622-ZL8-003	SPONGE, FUEL CAP BREATHER	1	
039	17622-ZL8-003	SPONGE, FUEL CAP BREATHER	1	
039	17622-ZL8-003	SPONGE, FUEL CAP BREATHER	1	
040	17624-ZL8-003	PACKING, FUEL CAP	1	
040	17624-ZL8-003	PACKING, FUEL CAP	1	
040	17624-ZL8-003	PACKING, FUEL CAP	1	

GCV160A(S3H)	E-14 CARBURETOR
--------------	-----------------

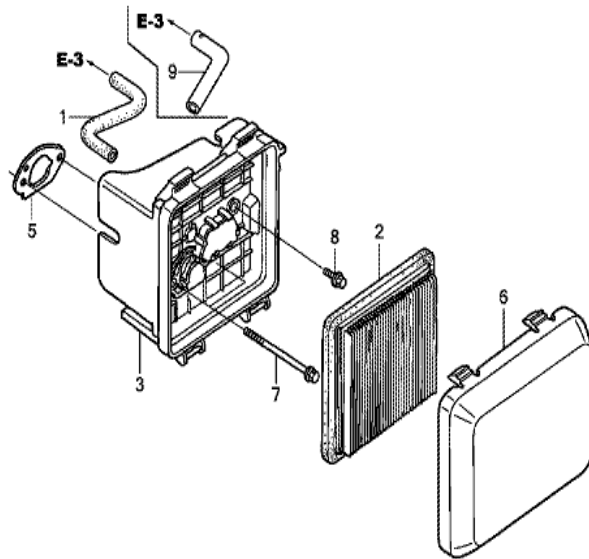


Ref	Partnumber	Description	GCV160A	Serial Numbers
001	16010-883-015	PACKING SET	1	
002	16013-ZL1-003	FLOAT SET	1	
005	16028-ZE0-005	SCREW SET	1	
007	16100-ZOL-841	CARBURETOR ASSY. (BB62S A)	1	4803407
007	16100-ZOL-841	CARBURETOR ASSY. (BB62S A)	1	4803407
007	16100-ZOL-841	CARBURETOR ASSY. (BB62S A)	1	4803407
007	16100-ZOL-841	CARBURETOR ASSY. (BB62S A)	1	4803407
007	16100-ZOL-841	CARBURETOR ASSY. (BB62S A)	1	4803407
007	16100-ZOL-871	CARBURETOR ASSY. (BB65E A)	1	4803408
007	16100-ZOL-871	CARBURETOR ASSY. (BB65E A)	1	4803408
007	16100-ZOL-871	CARBURETOR ASSY. (BB65E A)	1	4803408
007	16100-ZOL-871	CARBURETOR ASSY. (BB65E A)	1	4803408
007	16100-ZOL-871	CARBURETOR ASSY. (BB65E A)	1	4803408

<u>Ref</u>	<u>Partnumber</u>	<u>Description</u>	<u>GCV160A</u>	<u>Serial Numbers</u>
007	16100-ZOL-871	CARBURETOR ASSY. (BB65E A)	1	4803408
008	16155-ZM0-013	VALVE, FLOAT	1	BB62B E
008	16155-ZM0-013	VALVE, FLOAT	1	
009	16166-ZOL-841	NOZZLE, MAIN	1	
009	16166-ZOL-841	NOZZLE, MAIN	1	BB65E B
011	16212-ZL8-000	PACKING, INSULATOR	1	
012	16221-883-800	PACKING, CARBURETOR	2	
013	16228-ZOL-840	PACKING, CARBURETOR (CHOKE SIDE)	1	
013	16228-ZOL-840	PACKING, CARBURETOR (CHOKE SIDE)	1	2441276
014	19650-ZM0-000	GUIDE COMP., AIR	1	
015	93500-050061H	SCREW, PAN, 5X6	1	
016	99101-1240650	JET, MAIN, #65	1	BB65K A
016	99101-1240650	JET, MAIN, #65	(1)	
016	99101-1240650	JET, MAIN, #65	1	
016	99101-1240650	JET, MAIN, #65	1	BB65K A
016	99101-1240650	JET, MAIN, #65	(1)	
016	99101-1240650	JET, MAIN, #65	(1)	BB75D A
016	99101-1240680	JET, MAIN, #68	1	
016	99101-1240680	JET, MAIN, #68	(1)	
016	99101-1240680	JET, MAIN, #68	1	
016	99101-1240680	JET, MAIN, #68	1	BB71A A
016	99101-1240680	JET, MAIN, #68	1	BB75E A
016	99101-1240680	JET, MAIN, #68	(1)	
016	99101-1240680	JET, MAIN, #68	(1)	BB65E B
016	99101-1240700	JET, MAIN, #70	1	
016	99101-1240700	JET, MAIN, #70	1	
016	99101-1240700	JET, MAIN, #70	1	BB65E B
016	99101-1240700	JET, MAIN, #70	1	
016	99101-1240700	JET, MAIN, #70	1	
016	99101-1240700	JET, MAIN, #70	1	BB65E B
017	16024-ZE1-811	SCREW SET, DRAIN	1	
021	16600-ZOL-840	CONTROL ASSY., CHOKE	1	
<u>Ref</u>	<u>Partnumber</u>	<u>Description</u>	<u>GCV160A</u>	<u>Serial Numbers</u>
024	16015-887-782	CHAMBER SET, FLOAT	1	

GCV160A(S3H)

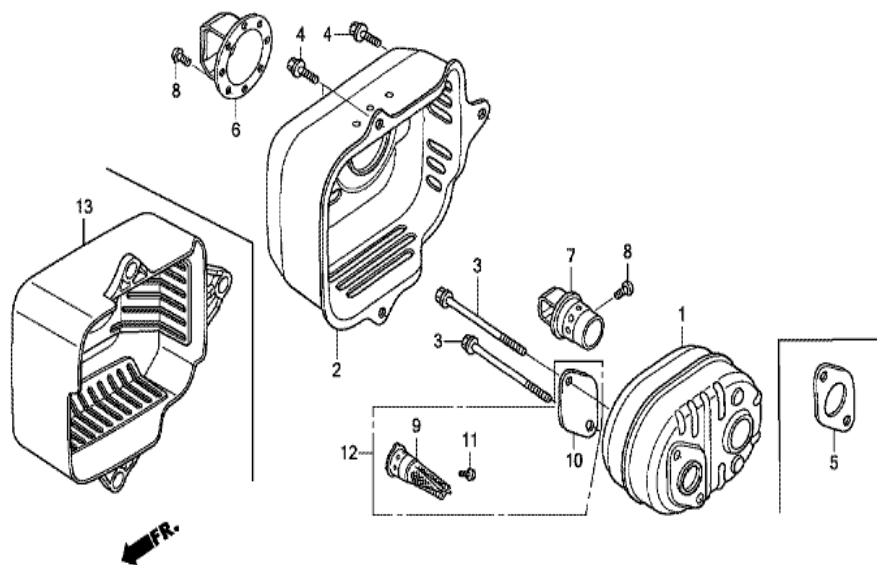
E-15 AIR CLEANER



ZM0E1500B

Ref	Partnumber	Description	GCV160A	Serial Numbers
001	15721-ZM0-000	TUBE, BREATHER	1	
001	15721-ZM0-000	TUBE, BREATHER	1	
002	17211-ZL8-023	ELEMENT, AIR CLEANER (TOYO ROKI)	1	
002	17211-ZL8-023	ELEMENT, AIR CLEANER (TOYO ROKI)	1	
002	17211-ZL8-023	ELEMENT, AIR CLEANER (TOYO ROKI)	1	
002	17211-ZL8-023	ELEMENT, AIR CLEANER (TOYO ROKI)	1	
003	17220-ZM0-000	CASE ASSY., AIR CLEANER	1	
003	17220-ZM0-000	CASE ASSY., AIR CLEANER	1	
003	17220-ZM0-000	CASE ASSY., AIR CLEANER	1	
003	17220-ZM0-000	CASE ASSY., AIR CLEANER	1	
005	17228-ZM0-000	PACKING, AIR CLEANER	1	
005	17228-ZM0-000	PACKING, AIR CLEANER	1	
005	17228-ZM0-000	PACKING, AIR CLEANER	1	
<u>Ref</u>	<u>Partnumber</u>	<u>Description</u>	<u>GCV160A</u>	<u>Serial Numbers</u>
005	17228-ZM0-000	PACKING, AIR CLEANER	1	
005	17228-ZM0-000	PACKING, AIR CLEANER	1	
006	17231-ZOL-030	COVER, AIR CLEANER	1	
006	17231-ZOL-030	COVER, AIR CLEANER	1	1117443
007	90003-ZM0-000	BOLT, FLANGE, 6X86 (CT200)	2	
007	90003-ZM0-000	BOLT, FLANGE, 6X86 (CT200)	2	
007	90003-ZM0-000	BOLT, FLANGE, 6X86 (CT200)	2	
007	90003-ZM0-000	BOLT, FLANGE, 6X86 (CT200)	2	
008	95701-0601408	BOLT, FLANGE, 6X14	1	

GCV160A(S3H)	E-16 MUFFLER
--------------	--------------

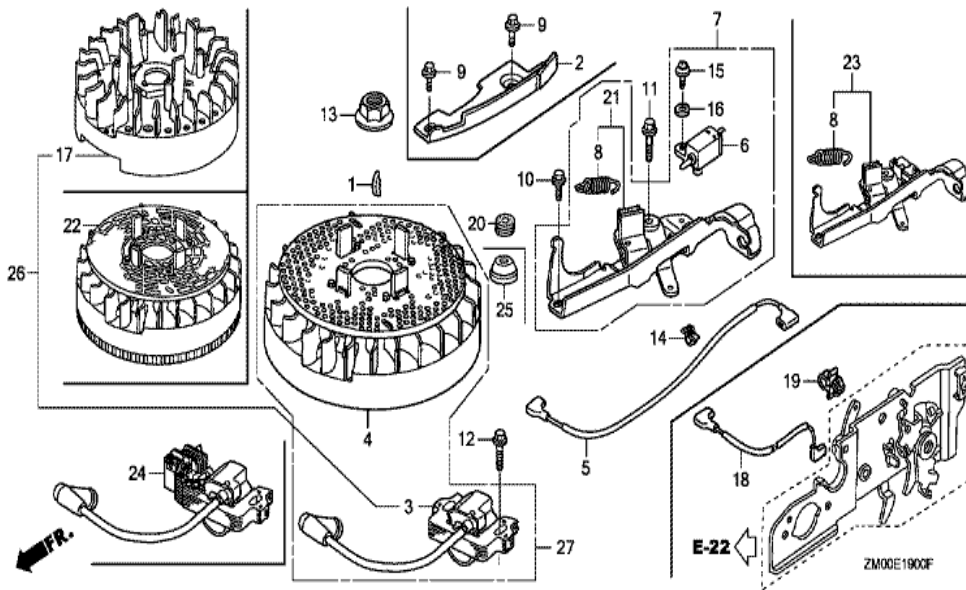


ZM0E16003

<u>Ref</u>	<u>Partnumber</u>	<u>Description</u>	<u>GCV160A</u>	<u>Serial Numbers</u>
001	18310-ZM0-000	MUFFLER COMP.	1	
001	18310-ZM0-000	MUFFLER COMP.	1	
001	18310-ZM0-000	MUFFLER COMP.	1	
002	18321-Z0L-J00	PROTECTOR, MUFFLER	1	2307312
002	18321-Z0L-J00	PROTECTOR, MUFFLER	1	
002	18321-Z0L-J00	PROTECTOR, MUFFLER	1	
003	90004-ZL8-000	BOLT, FLANGE, 6X79 (CT200)	2	
003	90004-ZL8-000	BOLT, FLANGE, 6X79 (CT200)	2	
004	90013-883-000	BOLT, FLANGE, 6X12 (CT200)	3	
005	18381-ZL8-305	GASKET, MUFFLER	1	
005	18381-ZL8-305	GASKET, MUFFLER	(1)	
009	18350-ZL8-000	ARRESTER COMP., SPARK	1	
009	18350-ZL8-000	ARRESTER COMP., SPARK	(1)	
<u>Ref</u>	<u>Partnumber</u>	<u>Description</u>	<u>GCV160A</u>	<u>Serial Numbers</u>
010	18356-ZL8-000	PLATE, ARRESTER NUMBER	(1)	
011	90055-ZE1-000	SCREW, TAPPING, 4X6	1	
011	90055-ZE1-000	SCREW, TAPPING, 4X6	(1)	
012	06180-Z0J-000	ARRESTER KIT, SPARK	(1)	

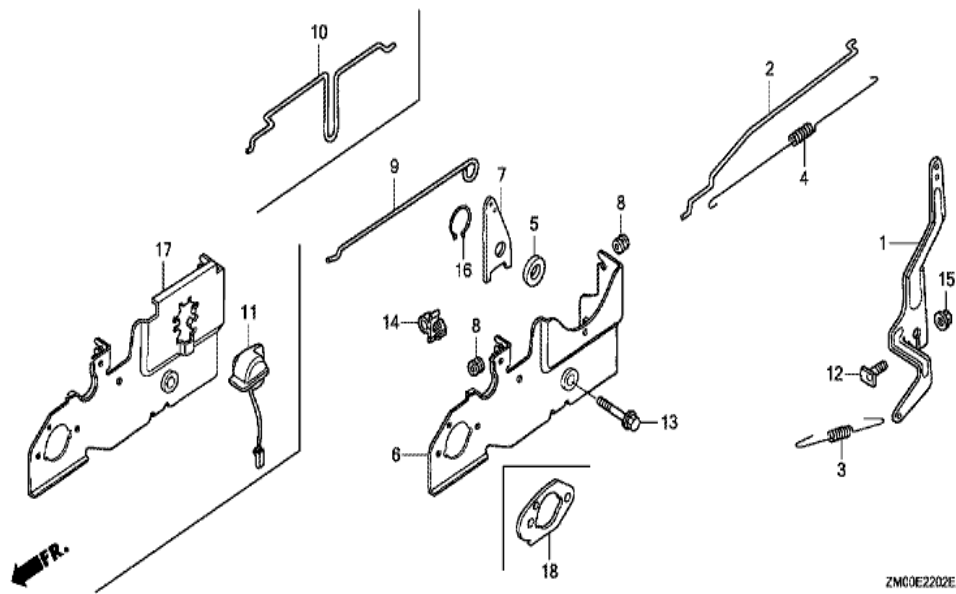
GCV160A(S3H)

E-19 FLYWHEEL (1)



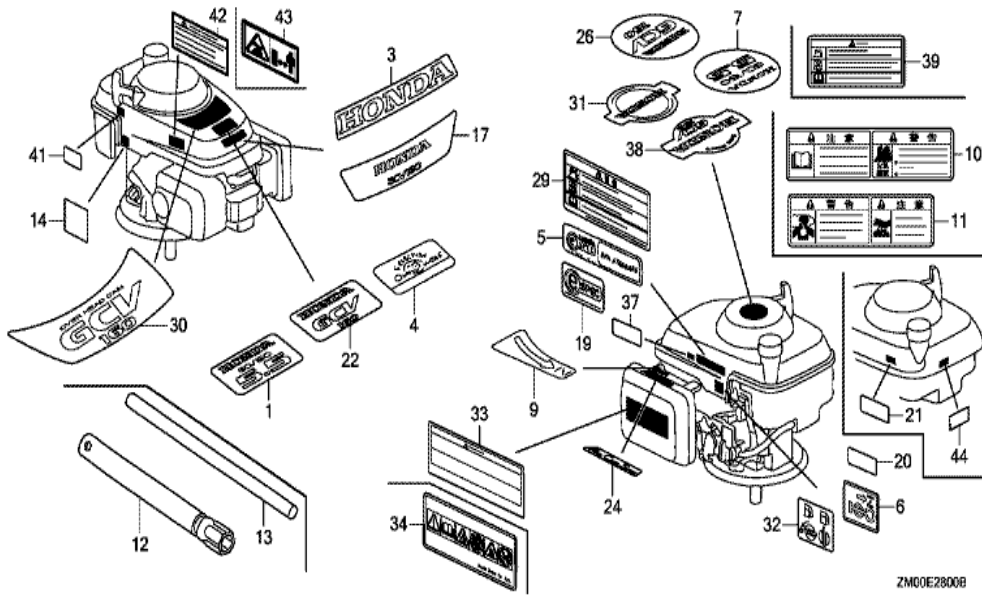
Ref	Partnumber	Description	GCV160A	Serial Numbers
001	13331-357-000	KEY, SPECIAL WOODRUFF, 25X18	1	
003	30500-ZL8-004	COIL ASSY., IGNITION (TEC) (USE FOR F/W	1	
003	30500-ZL8-004	COIL ASSY., IGNITION (TEC) (USE FOR F/W	1	
004	31105-ZM0-000	FLYWHEEL ASSY. (TEC) (USE FOR IGN. COIL	1	
004	31105-ZM0-000	FLYWHEEL ASSY. (TEC) (USE FOR IGN. COIL	1	
005	32195-ZOL-000	CORD, STOP SWITCH	1	
006	35120-ZM0-003	SWITCH ASSY., ENGINE STOP (N.C)	1	
007	75100-ZM0-000	BRAKE ASSY.	1	
007	75100-ZM0-000	BRAKE ASSY.	1	
007	75100-ZM0-000	BRAKE ASSY.	1	
007	75100-ZM0-000	BRAKE ASSY.	1	
007	75100-ZM0-000	BRAKE ASSY.	1	
007	75100-ZM0-000	BRAKE ASSY.	1	3217934
Ref	Partnumber	Description	GCV160A	Serial Numbers
008	75113-ZM0-000	SPRING, BRAKE LEVER	1	
010	90014-952-000	BOLT, FLANGE, 6X14 (CT200)	1	
011	90018-ZE1-000	BOLT, FLANGE, 6X23 (CT200)	1	
011	90018-ZE1-000	BOLT, FLANGE, 6X23 (CT200)	1	
012	90022-888-010	BOLT, FLANGE, 6X20 (CT200)	1	6702082
012	90022-888-010	BOLT, FLANGE, 6X20 (CT200)	1	
012	90022-888-010	BOLT, FLANGE, 6X20 (CT200)	1	
013	90201-878-003	NUT, SPECIAL, 14MM	1	
014	51125-ZOL-003	HOLDER, WIRE (FASTEX)	1	
014	51125-ZOL-003	HOLDER, WIRE (FASTEX)	1	
014	90681-959-003	CLIP A, CABLE (NIFCO) (3.8MM BLACK)	1	
014	90681-959-003	CLIP A, CABLE (NIFCO) (3.8MM BLACK)	1	
015	93892-0401200	SCREW-WASHER, 4X12	1	
016	94103-04000	WASHER, PLAIN, 4MM	1	

GCV160A(S3H)	E-22-2 CONTROL (3)
--------------	--------------------



Ref	Partnumber	Description	GCV160A	Serial Numbers
001	16551-ZM0-010	ARM, GOVERNOR	1	
002	16555-Z0L-800	ROD, GOVERNOR	1	
002	16555-Z0L-800	ROD, GOVERNOR	1	6349022
003	16561-Z0L-000	SPRING, GOVERNOR	1	
003	16561-Z0L-000	SPRING, GOVERNOR	1	
004	16562-ZM0-000	SPRING, THROTTLE RETURN	1	
006	16580-Z0L-810	BASE COMP., CONTROL	1	
012	90015-ZE5-010	BOLT, GOVERNOR ARM	1	
013	90016-ZE8-000	BOLT, FLANGE, 6X45 (CT200)	1	
015	94050-06000	NUT, FLANGE, 6MM	1	

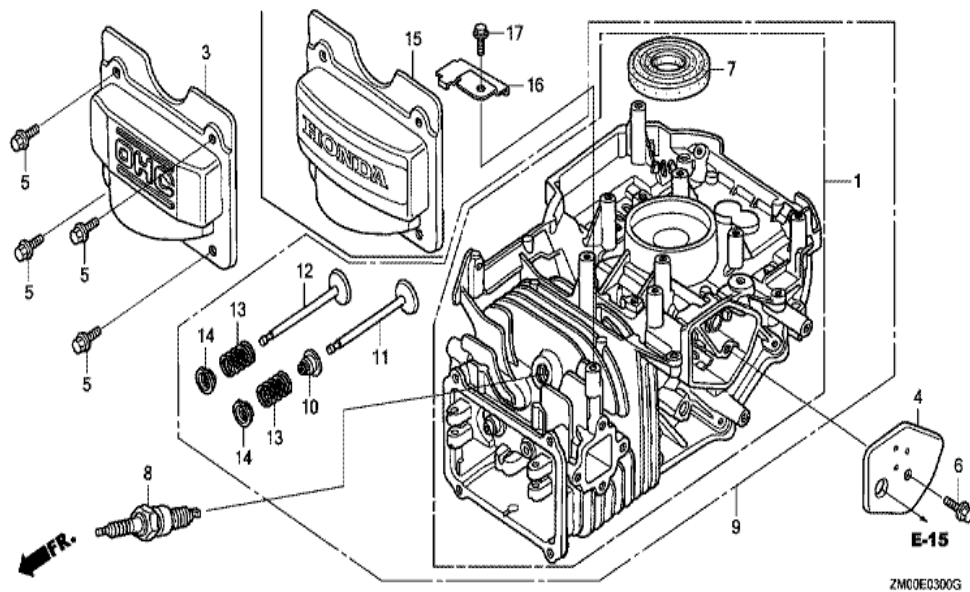
GCV160A(S3H)	E-28 LABEL/TOOL
--------------	-----------------



Ref	Partnumber	Description	GCV160A	Serial Numbers
020	87114-ZH7-820	LABEL, WARNING (NOT CERTIFIED FOR SALE)	1	4803407
020	87114-ZH7-820	LABEL, WARNING (NOT CERTIFIED FOR SALE)	1	4803407
020	87114-ZH7-821	LABEL, WARNING (NOT CERTIFIED FOR SALE)	1	2075803
020	87114-ZH7-821	LABEL, WARNING (NOT CERTIFIED FOR SALE)	1	4803408

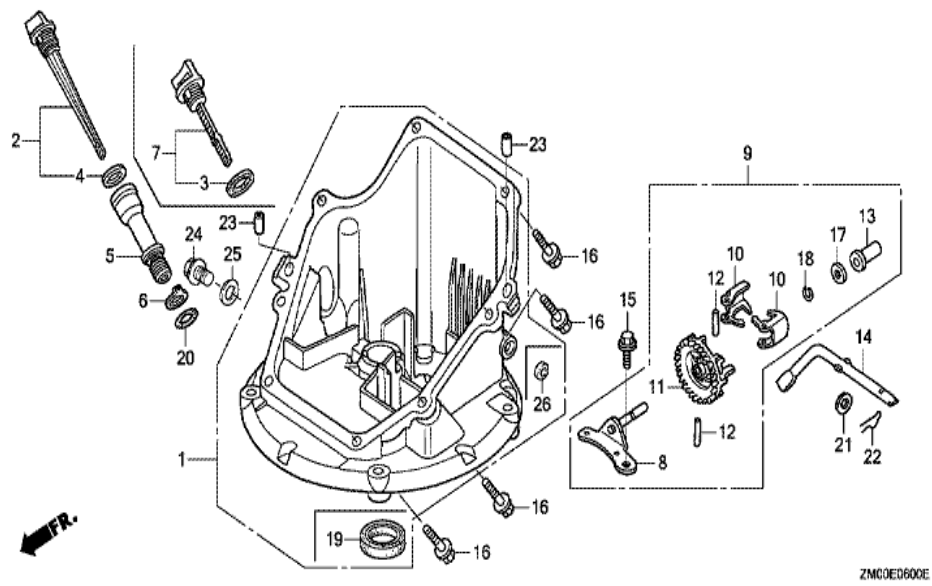
GCV160A(S3H)

E-3 CYLINDER BARREL



Ref	Partnumber	Description	GCV160A	Serial Numbers
001	12000-Z0L-406	BARREL ASSY., CYLINDER	1	1231612
001	12000-Z0L-406	BARREL ASSY., CYLINDER	1	
003	12311-ZL8-000	COVER, HEAD	1	
003	12311-ZL8-000	COVER, HEAD	1	
004	12355-ZL8-000	COVER COMP., BREATHER	1	
005	90013-883-000	BOLT, FLANGE, 6X12 (CT200)	4	
006	90014-952-000	BOLT, FLANGE, 6X14 (CT200)	1	
007	91201-ZL8-003	OIL SEAL, 25.4X62X6	1	
007	91201-ZL8-003	OIL SEAL, 25.4X62X6	1	
008	98079-56846	PLUG, SPARK (BPR6ES) (NGK)	1	
008	98079-56846	PLUG, SPARK (BPR6ES) (NGK)	1	
008	98079-56846	PLUG, SPARK (BPR6ES) (NGK)	1	2218977
010	12209-ZM0-003	SEAL, VALVE STEM	1	
010	12209-ZM0-003	SEAL, VALVE STEM	1	
011	14711-Z0J-000	VALVE, IN. (ROCKNEL)	1	
011	14711-Z0J-000	VALVE, IN. (ROCKNEL)	1	6330748
012	14721-ZL8-000	VALVE, EX. (L8E)	1	
012	14721-ZL8-000	VALVE, EX. (L8E)	1	
013	14751-ZL8-000	SPRING, VALVE	2	
014	14771-Z0J-000	RETAINER, VALVE SPRING	2	
014	14771-Z0J-000	RETAINER, VALVE SPRING	2	

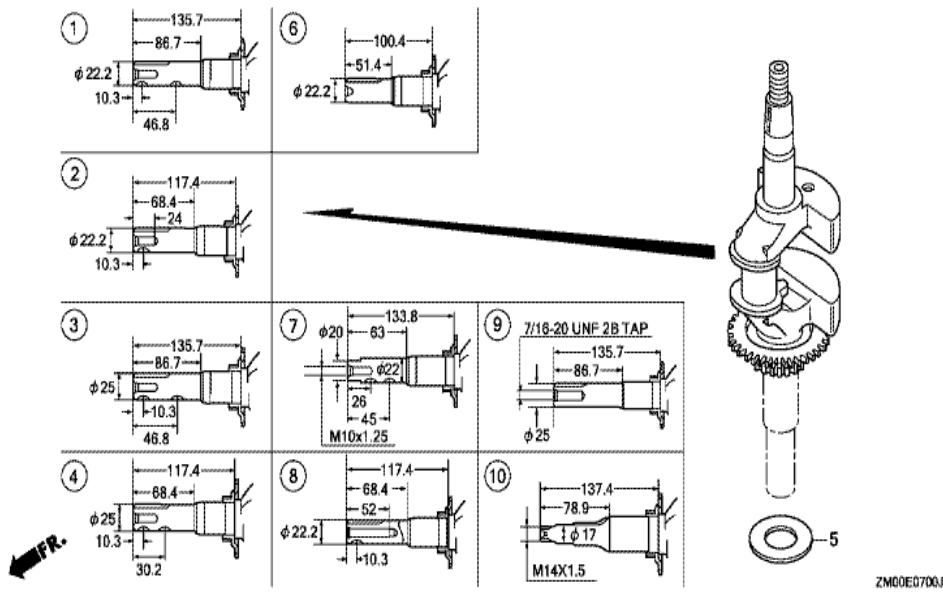
GCV160A(S3H)	E-6 OIL PAN
--------------	-------------



Ref	Partnumber	Description	GCV160A	Serial Numbers
001	11300-ZM0-405	PAN ASSY., OIL	1	
001	11300-ZM0-405	PAN ASSY., OIL	1	1212768
002	15650-ZM0-801	GAUGE ASSY., OIL LEVEL	1	
002	15650-ZM0-801	GAUGE ASSY., OIL LEVEL	1	
004	15625-ZE6-000	PACKING, OIL FILLER CAP	1	
005	15631-ZM0-000	EXTENSION, OIL FILLER	1	
005	15631-ZM0-000	EXTENSION, OIL FILLER	1	
006	15639-ZM0-000	WASHER, EXTENSION LOCK	1	
008	16508-ZM0-010	SHAFT COMP., GOVERNOR HOLDER	1	
008	16508-ZM0-010	SHAFT COMP., GOVERNOR HOLDER	1	
008	16508-ZM0-010	SHAFT COMP., GOVERNOR HOLDER	1	
009	16510-ZM0-010	GOVERNOR ASSY.	1	
009	16510-ZM0-010	GOVERNOR ASSY.	1	

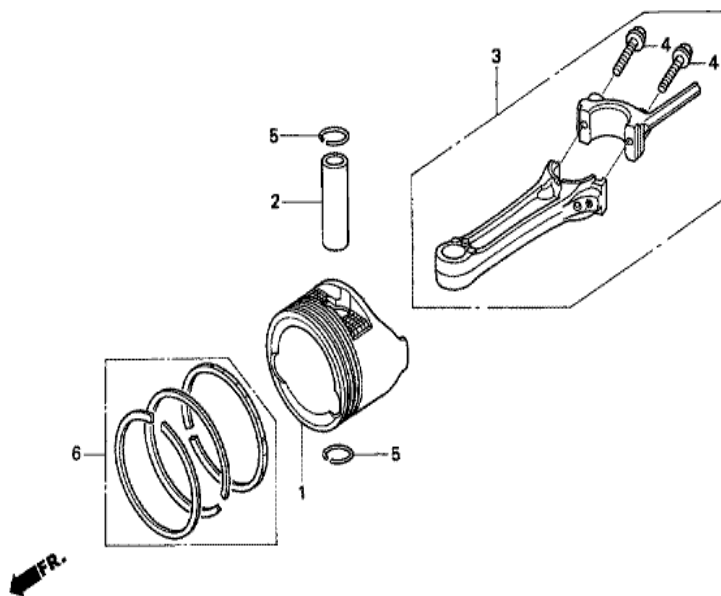
<u>Ref</u>	<u>Partnumber</u>	<u>Description</u>	<u>GCV160A</u>	<u>Serial Numbers</u>
009	16510-ZM0-010	GOVERNOR ASSY.	1	
010	16511-ZL8-000	WEIGHT, GOVERNOR	2	
010	16511-ZL8-000	WEIGHT, GOVERNOR	2	
011	16512-ZM0-000	HOLDER, GOVERNOR WEIGHT	1	
011	16512-ZM0-000	HOLDER, GOVERNOR WEIGHT	1	
012	16513-ZE1-000	PIN, GOVERNOR WEIGHT	2	
013	16531-ZE1-000	SLIDER, GOVERNOR	1	
013	16531-ZE1-000	SLIDER, GOVERNOR	1	
014	16541-ZM0-000	SHAFT, GOVERNOR ARM	1	
014	16541-ZM0-000	SHAFT, GOVERNOR ARM	1	
014	16541-ZM0-000	SHAFT, GOVERNOR ARM	1	
015	90014-952-000	BOLT, FLANGE, 6X14 (CT200)	1	
016	90121-952-000	BOLT, FLANGE, 6X25 (CT200)	8	
016	90121-952-000	BOLT, FLANGE, 6X25 (CT200)	8	
016	90121-952-000	BOLT, FLANGE, 6X25 (CT200)	8	
017	90451-ZE1-000	WASHER, THRUST, 6MM	1	
017	90451-ZE1-000	WASHER, THRUST, 6MM	1	
018	90602-ZE1-000	CLIP, GOVERNOR HOLDER	1	
018	90602-ZE1-000	CLIP, GOVERNOR HOLDER	1	
019	91202-ZL8-003	OIL SEAL, 28X41.25X6	1	
020	91303-KF0-003	O-RING, 14.8X2.4 (ARAI)	1	
021	94101-06800	WASHER, PLAIN, 6MM	1	
022	94251-08000	PIN, LOCK, 8MM	1	
023	94301-08200	DOWEL PIN, 8X20	2	
023	94301-08200	DOWEL PIN, 8X20	2	

GCV160A(S3H)	E-7 CRANKSHAFT (1)
--------------	--------------------



Ref	Partnumber	Description	GCV160A	Serial Numbers
003	13310-ZM0-610	CRANKSHAFT COMP.	1	
003	13310-ZM0-610	CRANKSHAFT COMP.	1	1886100
005	90402-ZL8-000	WASHER, THRUST	1	

GCV160A(S3H)	E-8 PISTON/CONNECTING ROD
--------------	---------------------------



ZM00-E0800A

<u>Ref</u>	<u>Partnumber</u>	<u>Description</u>	<u>GCV160A</u>	<u>Serial Numbers</u>
001	13101-Z2A-000	PISTON	1	5383514
001	13101-Z2A-010	PISTON	1	5383515
001	13101-Z2A-010	PISTON	1	3151054
001	13101-Z2A-010	PISTON	1	5383515
002	13111-ZE0-000	PIN, PISTON	1	
002	13111-ZE0-000	PIN, PISTON	1	
002	13111-ZE0-000	PIN, PISTON	1	
002	13111-ZE0-000	PIN, PISTON	1	
003	13200-ZL8-000	ROD ASSY., CONNECTING	1	
004	90001-ZE1-000	BOLT, CONNECTING ROD	2	
004	90001-ZE1-000	BOLT, CONNECTING ROD	2	
005	90551-ZE0-000	CLIP, PISTON PIN, 13MM	2	
006	13010-ZOL-003	RING SET, PISTON (RIKEN)	1	2033978
<u>Ref</u>	<u>Partnumber</u>	<u>Description</u>	<u>GCV160A</u>	<u>Serial Numbers</u>
006	13010-ZOL-003	RING SET, PISTON (RIKEN)	1	5383514
006	13010-ZOL-004	RING SET, PISTON (STD.) (TEIKOKU)	1	2033978
006	13010-ZOL-004	RING SET, PISTON (STD.) (TEIKOKU)	1	5383514
006	13010-ZOL-014	RING SET, PISTON (STD.) (TEIKOKU)	1	2033979
006	13010-ZOL-014	RING SET, PISTON (STD.) (TEIKOKU)	1	5383515