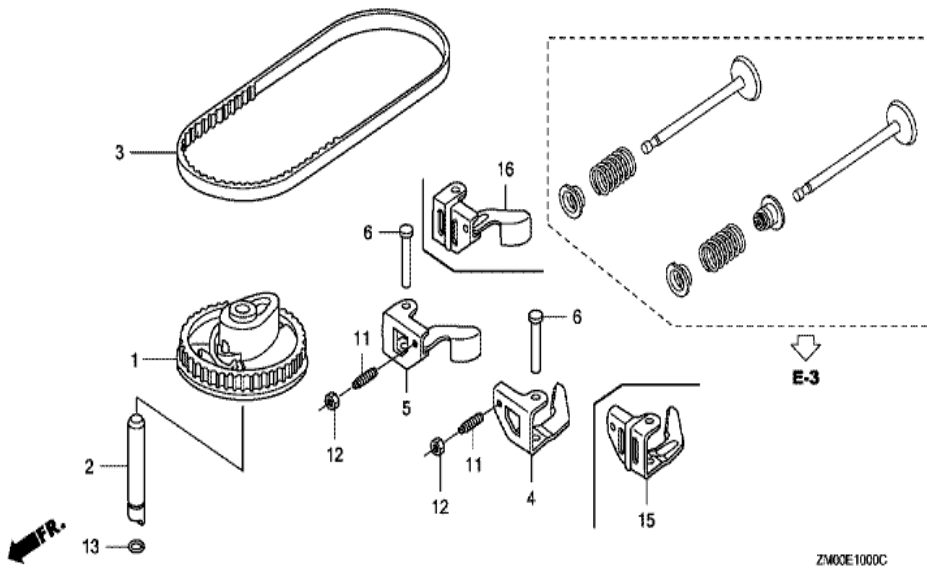
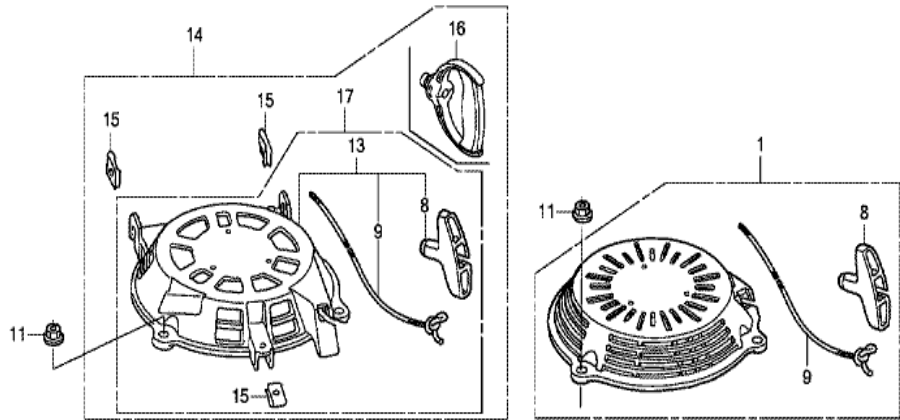


GCV160(N2)	E-10 CAMSHAFT PULLEY
------------	----------------------



<u>Ref</u>	<u>Partnumber</u>	<u>Description</u>	<u>GCV160</u>	<u>Serial Numbers</u>
001	14320-ZL8-000	PULLEY COMP., CAMSHAFT	1	
001	14320-ZL8-000	PULLEY COMP., CAMSHAFT	1	
001	14320-ZL8-000	PULLEY COMP., CAMSHAFT	1	
002	14324-ZL8-000	SHAFT, CAM PULLEY	1	
002	14324-ZL8-000	SHAFT, CAM PULLEY	1	
003	14400-ZL8-003	BELT, TIMING (84HU7 G-200)	1	
003	14400-ZL8-003	BELT, TIMING (84HU7 G-200)	1	
003	14400-ZL8-003	BELT, TIMING (84HU7 G-200)	1	
003	14400-ZL8-003	BELT, TIMING (84HU7 G-200)	1	
004	14431-ZL8-000	ARM, IN. VALVE ROCKER	1	
005	14441-ZL8-000	ARM, EX. VALVE ROCKER	1	
006	14461-ZL8-000	SHAFT, ROCKER ARM	2	
011	90012-333-000	SCREW, TAPPET ADJUSTING	2	
<u>Ref</u>	<u>Partnumber</u>	<u>Description</u>	<u>GCV160</u>	<u>Serial Numbers</u>
012	90206-001-000	NUT, TAPPET ADJUSTING	2	
013	91301-ZM0-V31	O-RING, 6.8X1.9 (ARAI)	1	
013	91301-ZM0-V31	O-RING, 6.8X1.9 (ARAI)	1	

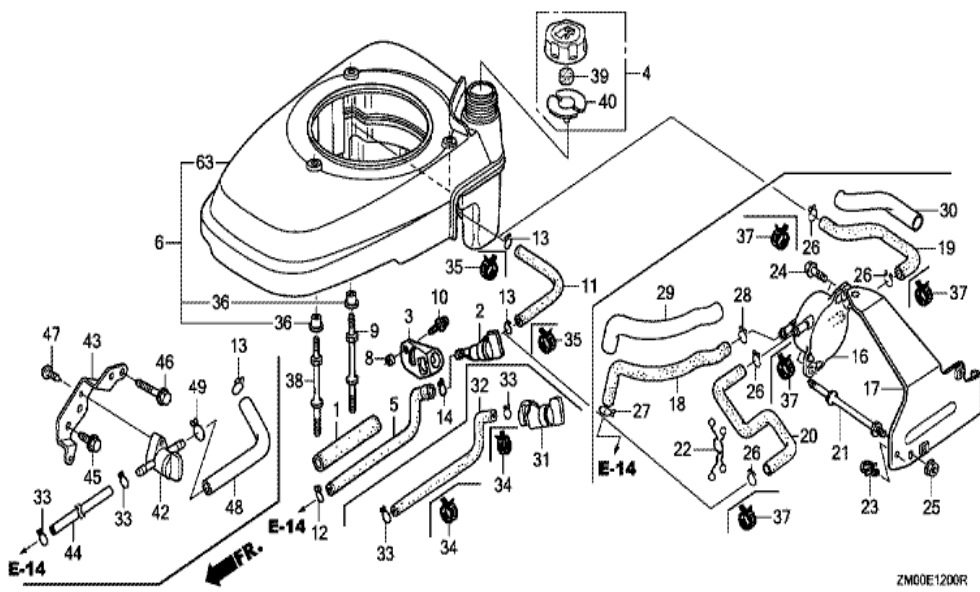
GCV160(N2)	E-11 RECOIL STARTER
------------	---------------------



ZM0E1100J

<u>Ref</u>	<u>Partnumber</u>	<u>Description</u>	<u>GCV160</u>	<u>Serial Numbers</u>
001	28400-ZM0-631ZA	STARTER ASSY., RECOIL (LONG ROPE) *NH1*	1	1297891
001	28400-ZM0-631ZA	STARTER ASSY., RECOIL (LONG ROPE) *NH1*	1	1297891
001	28400-ZM0-631ZA	STARTER ASSY., RECOIL (LONG ROPE) *NH1*	1	1297891
001	28400-ZM0-631ZA	STARTER ASSY., RECOIL (LONG ROPE) *NH1*	1	1297891
001	28400-ZM0-631ZA	STARTER ASSY., RECOIL (LONG ROPE) *NH1*	1	1297891
001	28400-ZM0-632ZA	STARTER ASSY., RECOIL (LONG ROPE) *NH1*	1	1297892
001	28400-ZM0-632ZA	STARTER ASSY., RECOIL (LONG ROPE) *NH1*	1	1297892
001	28400-ZM0-632ZA	STARTER ASSY., RECOIL (LONG ROPE) *NH1*	1	1297892
001	28400-ZM0-632ZA	STARTER ASSY., RECOIL (LONG ROPE) *NH1*	1	1297892
001	28400-ZM0-632ZA	STARTER ASSY., RECOIL (LONG ROPE) *NH1*	1	1297892
008	28461-ZL8-003	GRIP, STARTER	1	
009	28462-ZL8-631	ROPE, RECOIL STARTER (LONG TYPE)	1	3396966
009	28462-ZL8-631	ROPE, RECOIL STARTER (LONG TYPE)	1	
<u>Ref</u>	<u>Partnumber</u>	<u>Description</u>	<u>GCV160</u>	<u>Serial Numbers</u>
011	90201-ZM0-000	NUT, FLANGE, 6MM	3	

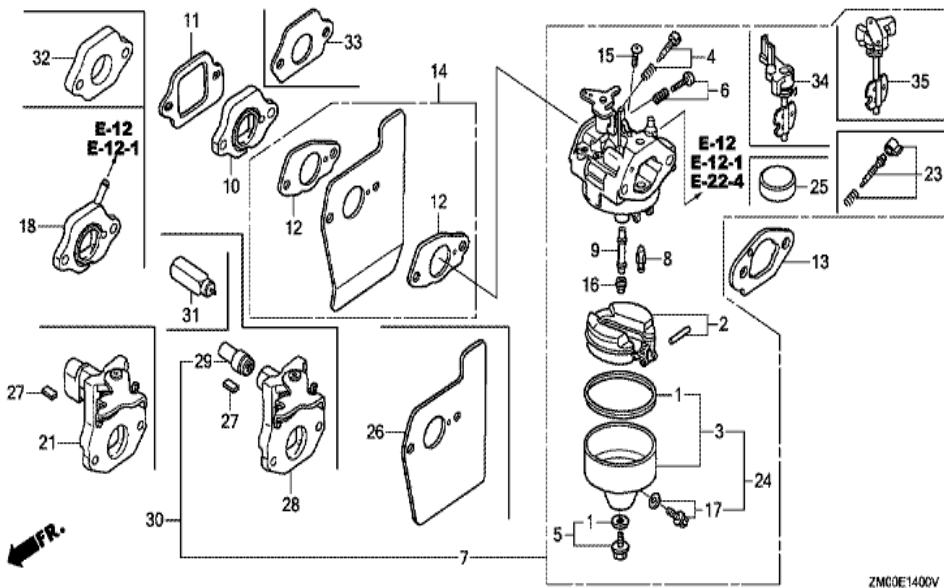
GCV160(N2)	E-12 FAN COVER (1)
------------	--------------------



Ref	Partnumber	Description	GCV160	Serial Numbers
001	16854-ZH8-000	RUBBER, SUPPORTER (107MM)	1	
002	16950-ZG9-M03	COCK ASSY., FUEL	1	1197181
002	16950-ZG9-M03	COCK ASSY., FUEL	1	2439088
003	16956-ZM0-000	BRACKET, FUEL COCK	1	2439088
003	16956-ZM0-000	BRACKET, FUEL COCK	1	2439088
004	17620-ZL8-003	CAP ASSY., FUEL TANK	1	2226712
004	17620-ZL8-003	CAP ASSY., FUEL TANK	1	
004	17620-ZL8-003	CAP ASSY., FUEL TANK	1	2226712
004	17620-ZL8-013	CAP ASSY., FUEL TANK	1	2226713
004	17620-ZL8-013	CAP ASSY., FUEL TANK	1	
004	17620-ZL8-013	CAP ASSY., FUEL TANK	1	2226713
005	17702-ZM0-000	TUBE, FUEL	1	
005	17702-ZM0-000	TUBE, FUEL	1	2439088

<u>Ref</u>	<u>Partnumber</u>	<u>Description</u>	<u>GCV160</u>	<u>Serial Numbers</u>
006	19610-ZM0-000ZA	COVER COMP., FAN *NH1 *	1	1417474
006	19610-ZM0-000ZA	COVER COMP., FAN *NH1 *	1	1417474
006	19610-ZM0-000ZA	COVER COMP., FAN *NH1 *	1	1417474
006	19610-ZM0-010ZA	COVER COMP., FAN *NH1 *	1	1417475
006	19610-ZM0-010ZA	COVER COMP., FAN *NH1 *	1	1215355
006	19610-ZM0-010ZA	COVER COMP., FAN *NH1 *	1	1417475
008	33609-GK4-620	COLLAR, FR. WINKER	1	
009	90043-ZL8-000	BOLT, STUD (H=42.5MM)	2	
009	90043-ZL8-000	BOLT, STUD (H=42.5MM)	2	
009	90043-ZL8-000	BOLT, STUD (H=42.5MM)	2	
009	90043-ZL8-000	BOLT, STUD (H=42.5MM)	2	
009	90043-ZL8-000	BOLT, STUD (H=42.5MM)	2	
010	93891-0501008	SCREW-WASHER, 5X10	1	
011	95001-5515040	TUBE, FUEL, 5.3X150 (95001-55001-60M)	1	2075802
011	95001-5515040	TUBE, FUEL, 5.3X150 (95001-55001-60M)	1	
011	95001-5515040	TUBE, FUEL, 5.3X150 (95001-55001-60M)	1	
012	95002-02080	CLIP, TUBE (B8)	1	
012	95002-02080	CLIP, TUBE (B8)	1	2439088
013	95002-02100	CLIP, TUBE (B10)	1	
013	95002-02100	CLIP, TUBE (B10)	1	1091839
013	95002-02100	CLIP, TUBE (B10)	1	3176792
013	95002-02100	CLIP, TUBE (B10)	2	
014	95002-50000	CLIP, TUBE (C9)	1	
014	95002-50000	CLIP, TUBE (C9)	1	2439088
031	16950-ZM0-003	COCK ASSY., FUEL	1	1091838
031	16950-ZM0-003	COCK ASSY., FUEL	1	1851725
031	16950-ZM0-003	COCK ASSY., FUEL	1	1197182
031	16950-ZM0-003	COCK ASSY., FUEL	1	1197182 3176791
031	16950-ZM0-003	COCK ASSY., FUEL	1	2439089
032	17702-ZM0-800	TUBE, FUEL	1	2439089
032	17702-ZM0-800	TUBE, FUEL	1	4803407
032	17702-ZM0-800	TUBE, FUEL	1	1197182
032	17702-ZM0-800	TUBE, FUEL	1	1197182 1762462
<u>Ref</u>	<u>Partnumber</u>	<u>Description</u>	<u>GCV160</u>	<u>Serial Numbers</u>
032	17702-ZM0-800	TUBE, FUEL	1	2439089
033	95002-02080	CLIP, TUBE (B8)	2	
033	95002-02080	CLIP, TUBE (B8)	2	1197182 1762462
033	95002-02080	CLIP, TUBE (B8)	2	2439089
036	19619-ZL8-300	COLLAR, FAN COVER	3	
038	90043-ZL8-000	BOLT, STUD (H=42.5MM)	1	
038	90043-ZL8-000	BOLT, STUD (H=42.5MM)	1	
038	90043-ZL8-000	BOLT, STUD (H=42.5MM)	1	
038	90043-ZL8-000	BOLT, STUD (H=42.5MM)	1	
038	90043-ZL8-000	BOLT, STUD (H=42.5MM)	1	
038	90043-ZL8-000	BOLT, STUD (H=42.5MM)	1	
039	17622-ZL8-003	SPONGE, FUEL CAP BREATHER	1	
039	17622-ZL8-003	SPONGE, FUEL CAP BREATHER	1	
039	17622-ZL8-003	SPONGE, FUEL CAP BREATHER	1	
040	17624-ZL8-003	PACKING, FUEL CAP	1	
040	17624-ZL8-003	PACKING, FUEL CAP	1	
040	17624-ZL8-003	PACKING, FUEL CAP	1	

GCV160(N2)	E-14 CARBURETOR
------------	-----------------

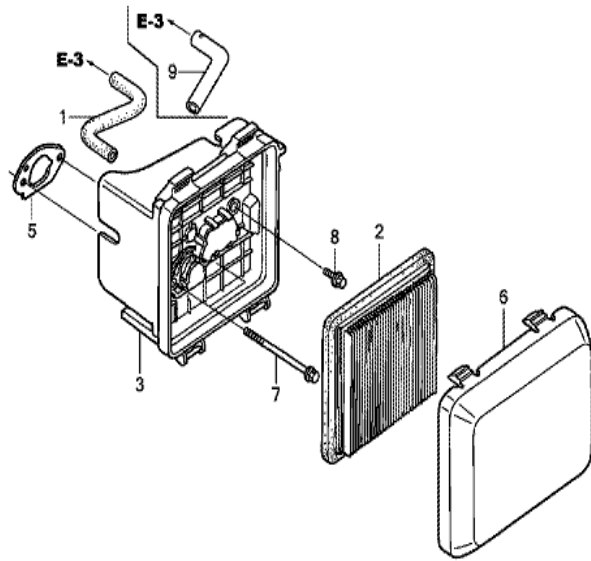


Ref	Partnumber	Description	GCV160	Serial Numbers
001	16010-883-015	PACKING SET	1	
002	16013-ZL1-003	FLOAT SET	1	
003	16015-892-015	CHAMBER SET, FLOAT	1	BB62A C
003	16015-892-015	CHAMBER SET, FLOAT	1	BB62A C
004	16016-892-005	SCREW SET A	1	
004	16016-892-005	SCREW SET A	1	BB62A D
005	16028-ZE0-005	SCREW SET	1	
006	16029-ZG0-901	SCREW SET (THROTTLE STOP)	1	
007	16100-ZM0-013	CARBURETOR ASSY. (BB62A C)	1	1676295
007	16100-ZM0-013	CARBURETOR ASSY. (BB62A C)	1	1676295
007	16100-ZM0-013	CARBURETOR ASSY. (BB62A C)	1	1676295
007	16100-ZM0-013	CARBURETOR ASSY. (BB62A C)	1	1676295
007	16100-ZM0-013	CARBURETOR ASSY. (BB62A C)	1	1676295

<u>Ref</u>	<u>Partnumber</u>	<u>Description</u>	<u>GCV160</u>	<u>Serial Numbers</u>
007	16100-ZM0-013	CARBURETOR ASSY. (BB62A C)	1	1676295
007	16100-ZM0-013	CARBURETOR ASSY. (BB62A C)	1	1676295
007	16100-ZM0-013	CARBURETOR ASSY. (BB62A C)	1	1676295
007	16100-ZM0-013	CARBURETOR ASSY. (BB62A C)	1	1676295
007	16100-ZM0-013	CARBURETOR ASSY. (BB62A C)	1	1676295
007	16100-ZM0-013	CARBURETOR ASSY. (BB62A C)	1	1676295
007	16100-ZM0-023	CARBURETOR ASSY. (BB62A D)	1	1676296 1733302
007	16100-ZM0-023	CARBURETOR ASSY. (BB62A D)	1	1676296 1733302
007	16100-ZM0-023	CARBURETOR ASSY. (BB62A D)	1	1676296 1733302
007	16100-ZM0-023	CARBURETOR ASSY. (BB62A D)	1	1676296 1733302
007	16100-ZM0-023	CARBURETOR ASSY. (BB62A D)	1	1676296 1733302
007	16100-ZM0-023	CARBURETOR ASSY. (BB62A D)	1	1676296 1733302
007	16100-ZM0-023	CARBURETOR ASSY. (BB62A D)	1	1676296 1733302
007	16100-ZM0-023	CARBURETOR ASSY. (BB62A D)	1	1676296 1733302
007	16100-ZM0-023	CARBURETOR ASSY. (BB62A D)	1	1676296 1733302
007	16100-ZM0-023	CARBURETOR ASSY. (BB62A D)	1	1676296 1733302
007	16100-ZM0-803	CARBURETOR ASSY. (BB62B D)	1	
007	16100-ZM0-803	CARBURETOR ASSY. (BB62B D)	1	1676296
007	16100-ZM0-803	CARBURETOR ASSY. (BB62B D)	1	1733303
007	16100-ZM0-803	CARBURETOR ASSY. (BB62B D)	1	1733303
007	16100-ZM0-803	CARBURETOR ASSY. (BB62B D)	1	
007	16100-ZM0-803	CARBURETOR ASSY. (BB62B D)	1	2225727
007	16100-ZM0-803	CARBURETOR ASSY. (BB62B D)	1	3201357
007	16100-ZM0-803	CARBURETOR ASSY. (BB62B D)	1	1733303
007	16100-ZM0-803	CARBURETOR ASSY. (BB62B D)	1	1733303
007	16100-ZM0-803	CARBURETOR ASSY. (BB62B D)	1	1733303
007	16100-ZM0-803	CARBURETOR ASSY. (BB62B D)	1	1733303
008	16155-ZM0-003	VALVE, FLOAT	1	
009	16166-ZM0-003	NOZZLE, MAIN	1	
009	16166-ZM0-003	NOZZLE, MAIN	1	
009	16166-ZM0-003	NOZZLE, MAIN	1	
009	16166-ZM0-003	NOZZLE, MAIN	1	

<u>Ref</u>	<u>Partnumber</u>	<u>Description</u>	<u>GCV160</u>	<u>Serial Numbers</u>
009	16166-ZM0-003	NOZZLE, MAIN	1	
009	16166-ZM0-003	NOZZLE, MAIN	1	
010	16211-ZL8-000	INSULATOR, CARBURETOR	1	
010	16211-ZL8-000	INSULATOR, CARBURETOR	1	
010	16211-ZL8-000	INSULATOR, CARBURETOR	1	
011	16212-ZL8-000	PACKING, INSULATOR	1	
012	16221-883-800	PACKING, CARBURETOR	2	
013	16228-ZL8-000	PACKING, CARBURETOR	1	
013	16228-ZL8-000	PACKING, CARBURETOR	1	
014	19650-ZM0-000	GUIDE COMP., AIR	1	
015	93500-050061H	SCREW, PAN, 5X6	1	
016	99101-1240600	JET, MAIN, #60	(1)	
016	99101-1240600	JET, MAIN, #60	(1)	BB65K A
016	99101-1240600	JET, MAIN, #60	(1)	
016	99101-1240620	JET, MAIN, #62	(1)	BB75E A
016	99101-1240620	JET, MAIN, #62	(1)	
016	99101-1240620	JET, MAIN, #62	(1)	BB75E A
016	99101-1240620	JET, MAIN, #62	(1)	
016	99101-1240620	JET, MAIN, #62	(1)	BB75E A
016	99101-1240650	JET, MAIN, #65	1	BB65K A
016	99101-1240650	JET, MAIN, #65	1	
016	99101-1240650	JET, MAIN, #65	1	BB65K A
016	99101-1240650	JET, MAIN, #65	1	
016	99101-1240650	JET, MAIN, #65	1	BB65A C
017	16024-ZE1-811	SCREW SET, DRAIN	1	
017	16024-ZE1-811	SCREW SET, DRAIN	1	BB62A D
023	16016-ZG0-W00	SCREW SET	1	
023	16016-ZG0-W00	SCREW SET	1	BB62B D
023	16016-ZG0-W00	SCREW SET	1	BB62B D
024	16015-887-782	CHAMBER SET, FLOAT	1	
024	16015-887-782	CHAMBER SET, FLOAT	1	BB65K A
024	16015-887-782	CHAMBER SET, FLOAT	1	BB62A D

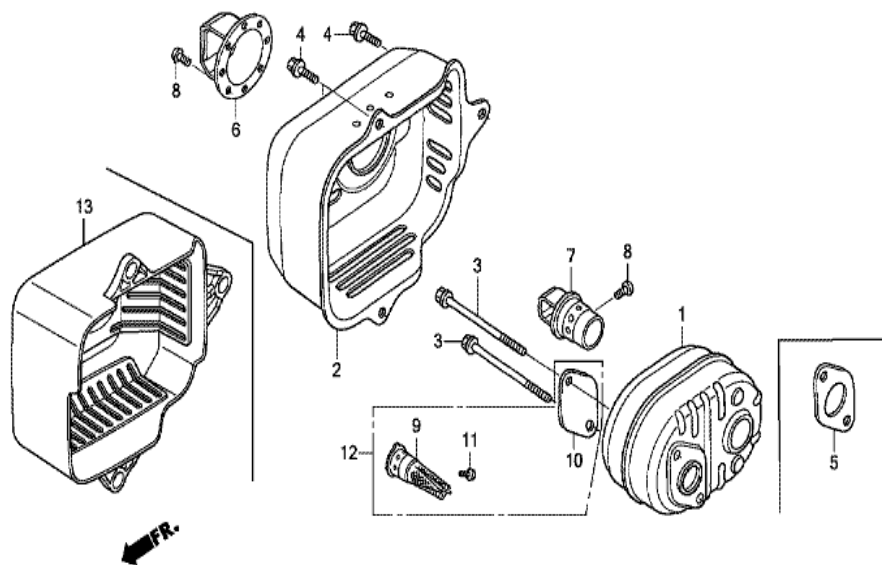
GCV160(N2)	E-15 AIR CLEANER
------------	------------------



ZM00E1500B

<u>Ref</u>	<u>Partnumber</u>	<u>Description</u>	<u>GCV160</u>	<u>Serial Numbers</u>
001	15721-ZM0-000	TUBE, BREATHER	1	
001	15721-ZM0-000	TUBE, BREATHER	1	
002	17211-ZL8-000	ELEMENT, AIR CLEANER	1	2240610
002	17211-ZL8-000	ELEMENT, AIR CLEANER	1	2240610
002	17211-ZL8-000	ELEMENT, AIR CLEANER	1	2240610
002	17211-ZL8-000	ELEMENT, AIR CLEANER	1	2240610
002	17211-ZL8-003	ELEMENT, AIR CLEANER	1	
002	17211-ZL8-003	ELEMENT, AIR CLEANER	1	
002	17211-ZL8-003	ELEMENT, AIR CLEANER	1	
002	17211-ZL8-003	ELEMENT, AIR CLEANER	1	2240611
002	17211-ZL8-003	ELEMENT, AIR CLEANER	1	2240611
003	17220-ZM0-000	CASE ASSY., AIR CLEANER	1	
003	17220-ZM0-000	CASE ASSY., AIR CLEANER	1	
<u>Ref</u>	<u>Partnumber</u>	<u>Description</u>	<u>GCV160</u>	<u>Serial Numbers</u>
003	17220-ZM0-000	CASE ASSY., AIR CLEANER	1	
003	17220-ZM0-000	CASE ASSY., AIR CLEANER	1	
005	17228-ZM0-000	PACKING, AIR CLEANER	1	
005	17228-ZM0-000	PACKING, AIR CLEANER	1	
005	17228-ZM0-000	PACKING, AIR CLEANER	1	
005	17228-ZM0-000	PACKING, AIR CLEANER	1	
005	17228-ZM0-000	PACKING, AIR CLEANER	1	
006	17231-ZM0-000	COVER, AIR CLEANER	1	
006	17231-ZM0-000	COVER, AIR CLEANER	1	2425659
006	17231-ZM0-010	COVER, AIR CLEANER	1	2425660 2440414
006	17231-ZM0-010	COVER, AIR CLEANER	1	2425660 2440414
006	17231-ZM0-020	COVER, AIR CLEANER	1	2440415
006	17231-ZM0-020	COVER, AIR CLEANER	1	2440415
007	90003-ZM0-000	BOLT, FLANGE, 6X86 (CT200)	2	
007	90003-ZM0-000	BOLT, FLANGE, 6X86 (CT200)	2	
007	90003-ZM0-000	BOLT, FLANGE, 6X86 (CT200)	2	
007	90003-ZM0-000	BOLT, FLANGE, 6X86 (CT200)	2	
008	95701-0601408	BOLT, FLANGE, 6X14	1	

GCV160(N2)	E-16 MUFFLER
------------	--------------

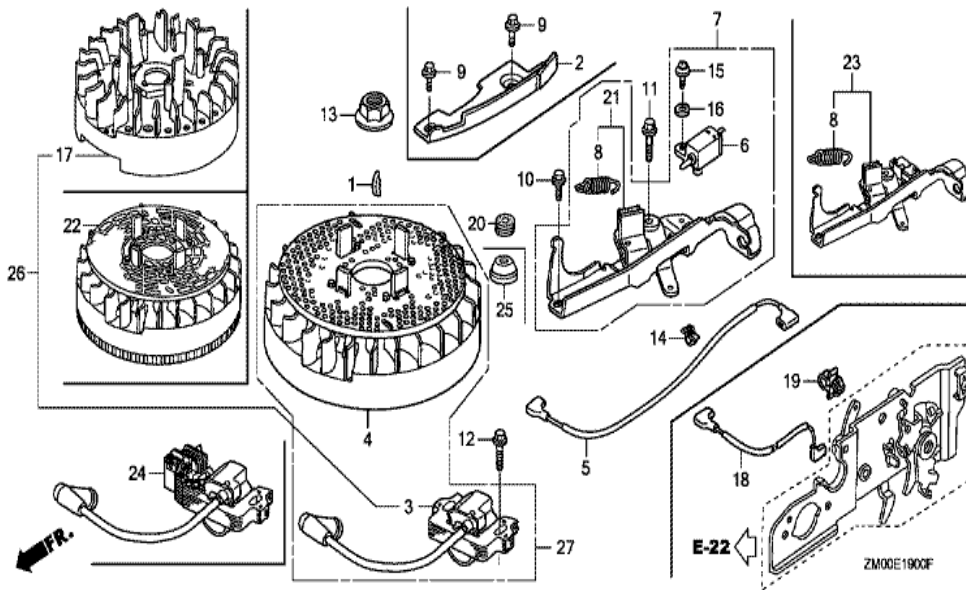


ZMG0E16003

Ref	Partnumber	Description	GCV160	Serial Numbers
001	18310-ZM0-000	MUFFLER COMP.	1	
001	18310-ZM0-000	MUFFLER COMP.	1	
001	18310-ZM0-000	MUFFLER COMP.	1	
002	18321-ZL8-000	PROTECTOR, MUFFLER	1	
002	18321-ZL8-000	PROTECTOR, MUFFLER	1	
002	18321-ZL8-000	PROTECTOR, MUFFLER	1	
003	90004-ZL8-000	BOLT, FLANGE, 6X79 (CT200)	2	
003	90004-ZL8-000	BOLT, FLANGE, 6X79 (CT200)	2	
004	90013-883-000	BOLT, FLANGE, 6X12 (CT200)	3	
005	18381-ZL8-305	GASKET, MUFFLER	1	
005	18381-ZL8-305	GASKET, MUFFLER	(1)	

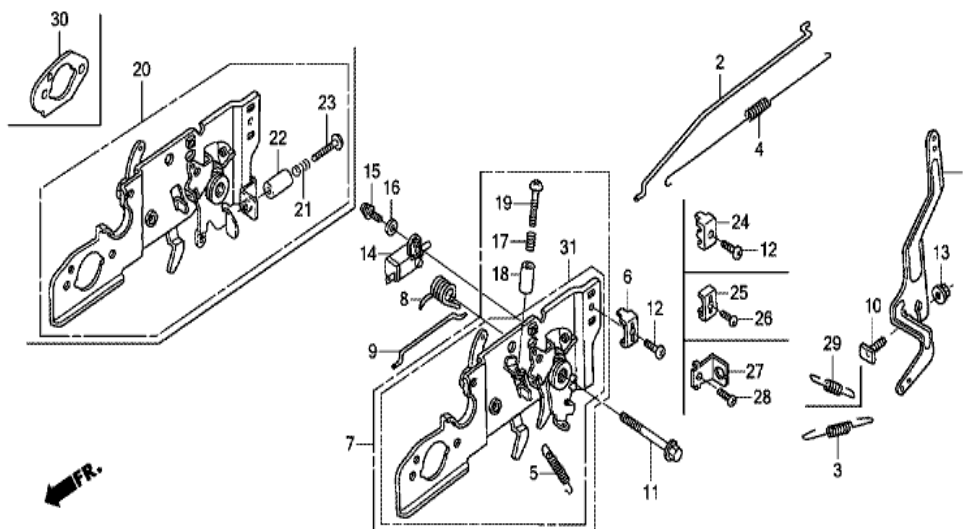
GCV160(N2)

E-19 FLYWHEEL (1)



<u>Ref</u>	<u>Partnumber</u>	<u>Description</u>	<u>GCV160</u>	<u>Serial Numbers</u>
001	13331-357-000	KEY, SPECIAL WOODRUFF, 25X18	1	
003	30500-ZL8-004	COIL ASSY., IGNITION (TEC) (USE FOR F/W	1	
003	30500-ZL8-004	COIL ASSY., IGNITION (TEC) (USE FOR F/W	1	
004	31105-ZM0-000	FLYWHEEL ASSY. (TEC) (USE FOR IGN. COIL	1	
004	31105-ZM0-000	FLYWHEEL ASSY. (TEC) (USE FOR IGN. COIL	1	
005	32195-ZM0-000	CORD, STOP SWITCH	1	
005	32195-ZM0-000	CORD, STOP SWITCH	1	
006	35120-ZM0-003	SWITCH ASSY., ENGINE STOP (N.C)	1	
007	75100-ZM0-000	BRAKE ASSY.	1	
007	75100-ZM0-000	BRAKE ASSY.	1	
007	75100-ZM0-000	BRAKE ASSY.	1	
007	75100-ZM0-000	BRAKE ASSY.	1	
007	75100-ZM0-000	BRAKE ASSY.	1	
<u>Ref</u>	<u>Partnumber</u>	<u>Description</u>	<u>GCV160</u>	<u>Serial Numbers</u>
007	75100-ZM0-000	BRAKE ASSY.	1	3217934
008	75113-ZM0-000	SPRING, BRAKE LEVER	1	
010	90014-952-000	BOLT, FLANGE, 6X14 (CT200)	1	
011	90018-ZE1-000	BOLT, FLANGE, 6X23 (CT200)	1	
011	90018-ZE1-000	BOLT, FLANGE, 6X23 (CT200)	1	
012	90022-888-010	BOLT, FLANGE, 6X20 (CT200)	1	6702082
012	90022-888-010	BOLT, FLANGE, 6X20 (CT200)	1	
012	90022-888-010	BOLT, FLANGE, 6X20 (CT200)	1	
013	90201-878-003	NUT, SPECIAL, 14MM	1	
014	90681-959-003	CLIP A, CABLE (NIFCO) (3.8MM BLACK)	1	
014	90681-959-003	CLIP A, CABLE (NIFCO) (3.8MM BLACK)	1	
015	93892-0401200	SCREW-WASHER, 4X12	1	
016	94103-04000	WASHER, PLAIN, 4MM	1	

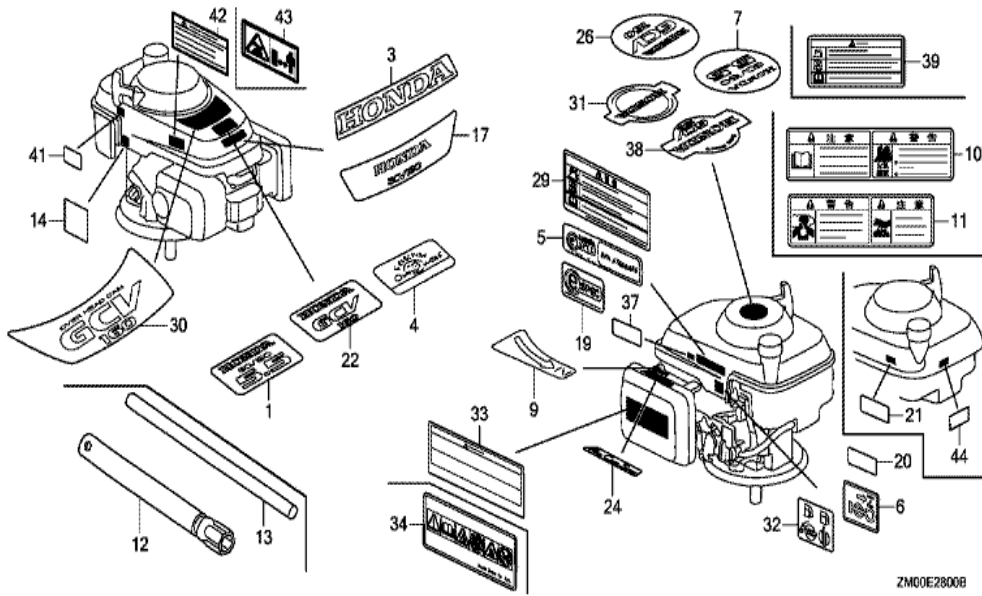
GCV160(N2)	E-22 CONTROL (1)
------------	------------------



ZMG0E2200K

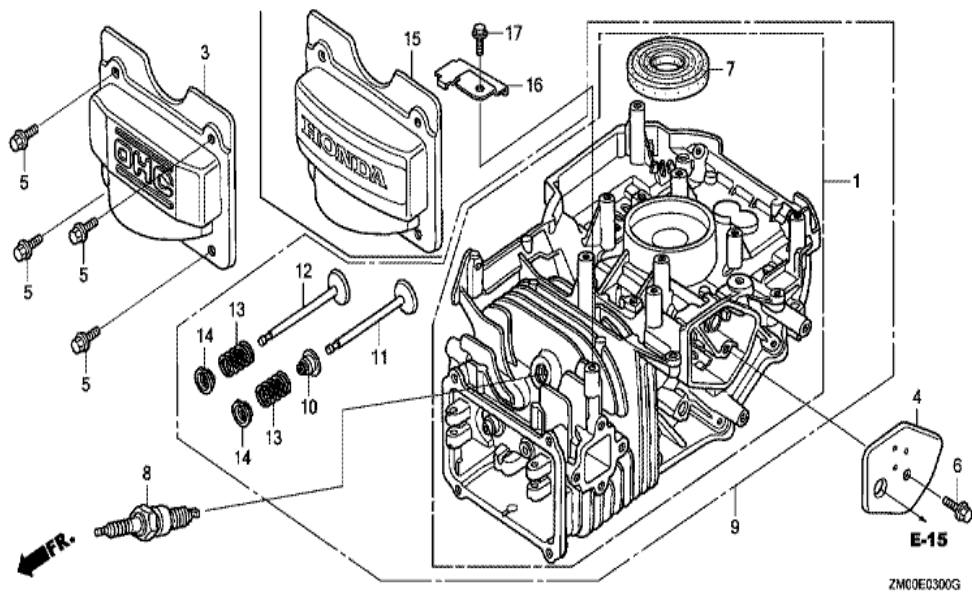
Ref	Partnumber	Description	GCV160	Serial Numbers
001	16551-ZM0-000	ARM, GOVERNOR	1	
001	16551-ZM0-000	ARM, GOVERNOR	1	2299007
001	16551-ZM0-010	ARM, GOVERNOR	1	
001	16551-ZM0-010	ARM, GOVERNOR	1	2299008
002	16555-ZM0-000	ROD, GOVERNOR	1	
002	16555-ZM0-000	ROD, GOVERNOR	1	
003	16561-ZM0-000	SPRING, GOVERNOR	1	
003	16561-ZM0-000	SPRING, GOVERNOR	1	
004	16562-ZM0-000	SPRING, THROTTLE RETURN	1	
004	16562-ZM0-000	SPRING, THROTTLE RETURN	1	
005	16576-ZE7-300	SPRING, LEVER	1	
006	16576-891-000	HOLDER, CABLE	1	
006	16576-891-000	HOLDER, CABLE	1	2439633
Ref	Partnumber	Description	GCV160	Serial Numbers
007	16580-ZM0-000	BASE COMP., CONTROL	1	1177559
007	16580-ZM0-000	BASE COMP., CONTROL	1	1177559
007	16580-ZM0-000	BASE COMP., CONTROL	1	1177559
007	16580-ZM0-000	BASE COMP., CONTROL	1	1177559
007	16580-ZM0-020	BASE COMP., CONTROL	1	1177560
007	16580-ZM0-020	BASE COMP., CONTROL	1	
007	16580-ZM0-020	BASE COMP., CONTROL	1	2352103
007	16580-ZM0-020	BASE COMP., CONTROL	1	1177560
009	16674-ZM0-000	ROD, CHOKE	1	
010	90015-ZE5-010	BOLT, GOVERNOR ARM	1	
011	90016-ZM0-000	BOLT, FLANGE, 6X45 (CT200)	1	
011	90016-ZM0-000	BOLT, FLANGE, 6X45 (CT200)	1	
011	90016-ZM0-000	BOLT, FLANGE, 6X45 (CT200)	1	
011	90016-ZM0-000	BOLT, FLANGE, 6X45 (CT200)	1	3176791
012	93500-050160A	SCREW, PAN, 5X16	1	
013	94050-06000	NUT, FLANGE, 6MM	1	
024	16617-VG3-000	HOLDER, CABLE	1	
024	16617-VG3-000	HOLDER, CABLE	1	2439634

GCV160(N2)	E-28 LABEL/TOOL
------------	-----------------



Ref	Partnumber	Description	GCV160	Serial Numbers
005	87135-ZE2-010	LABEL, E-SPEC (EPA STANDARD) (15.5X60.0)	1	2436351
005	87135-ZE2-010	LABEL, E-SPEC (EPA STANDARD) (15.5X60.0)	1	2436351
019	87135-ZE2-020	LABEL, E-SPEC (15.5X27.5)	1	
019	87135-ZE2-020	LABEL, E-SPEC (15.5X27.5)	1	2436352

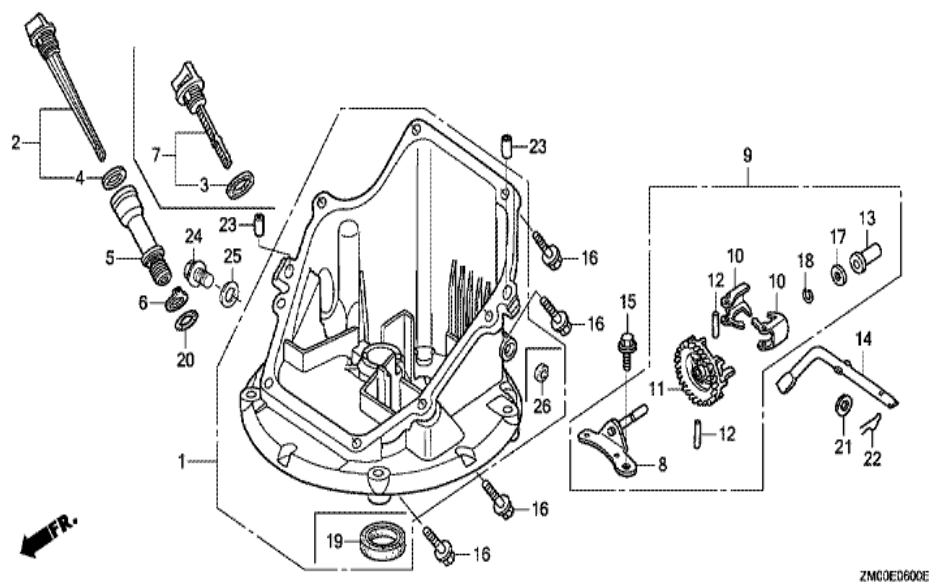
GCV160(N2)	E-3 CYLINDER BARREL
------------	---------------------



Ref	Partnumber	Description	GCV160	Serial Numbers
001	12000-ZL8-000	BARREL ASSY., CYLINDER	1	1286131
001	12000-ZL8-000	BARREL ASSY., CYLINDER	1	1286131
001	12000-ZL8-000	BARREL ASSY., CYLINDER	1	1286131
001	12000-ZL8-000	BARREL ASSY., CYLINDER	1	1286131
001	12000-ZL8-000	BARREL ASSY., CYLINDER	1	1286131
001	12000-ZL8-000	BARREL ASSY., CYLINDER	1	1286131
001	12000-ZL8-000	BARREL ASSY., CYLINDER	1	1286131
001	12000-ZL8-000	BARREL ASSY., CYLINDER	1	1286131
001	12000-ZL8-000	BARREL ASSY., CYLINDER	1	1286131
001	12000-ZL8-405	BARREL ASSY., CYLINDER	1	1286132
001	12000-ZL8-405	BARREL ASSY., CYLINDER	1	1286132
001	12000-ZL8-405	BARREL ASSY., CYLINDER	1	1286132
001	12000-ZL8-405	BARREL ASSY., CYLINDER	1	1286132
001	12000-ZL8-405	BARREL ASSY., CYLINDER	1	1286132

<u>Ref</u>	<u>Partnumber</u>	<u>Description</u>	<u>GCV160</u>	<u>Serial Numbers</u>
001	12000-ZL8-405	BARREL ASSY., CYLINDER	1	1286132
001	12000-ZL8-405	BARREL ASSY., CYLINDER	1	
001	12000-ZL8-405	BARREL ASSY., CYLINDER	1	1286132
003	12311-ZL8-000	COVER, HEAD	1	
003	12311-ZL8-000	COVER, HEAD	1	
004	12355-ZL8-000	COVER COMP., BREATHER	1	
005	90013-883-000	BOLT, FLANGE, 6X12 (CT200)	4	
006	90014-952-000	BOLT, FLANGE, 6X14 (CT200)	1	
007	91201-ZL8-003	OIL SEAL, 25.4X62X6	1	
007	91201-ZL8-003	OIL SEAL, 25.4X62X6	1	
008	98079-56846	PLUG, SPARK (BPR6ES) (NGK)	1	
008	98079-56846	PLUG, SPARK (BPR6ES) (NGK)	1	
008	98079-56846	PLUG, SPARK (BPR6ES) (NGK)	1	2218977
010	12209-ZM0-003	SEAL, VALVE STEM	1	
010	12209-ZM0-003	SEAL, VALVE STEM	1	
010	12209-ZM0-003	SEAL, VALVE STEM	1	2296433
011	14711-ZL8-000	VALVE, IN. (TECHNOSTAR)	1	
011	14711-ZL8-000	VALVE, IN. (TECHNOSTAR)	1	
012	14721-ZL8-000	VALVE, EX. (L8E)	1	
012	14721-ZL8-000	VALVE, EX. (L8E)	1	
013	14751-ZL8-000	SPRING, VALVE	2	
014	14771-ZE1-000	RETAINER, IN. VALVE SPRING	2	
014	14771-ZE1-000	RETAINER, IN. VALVE SPRING	2	

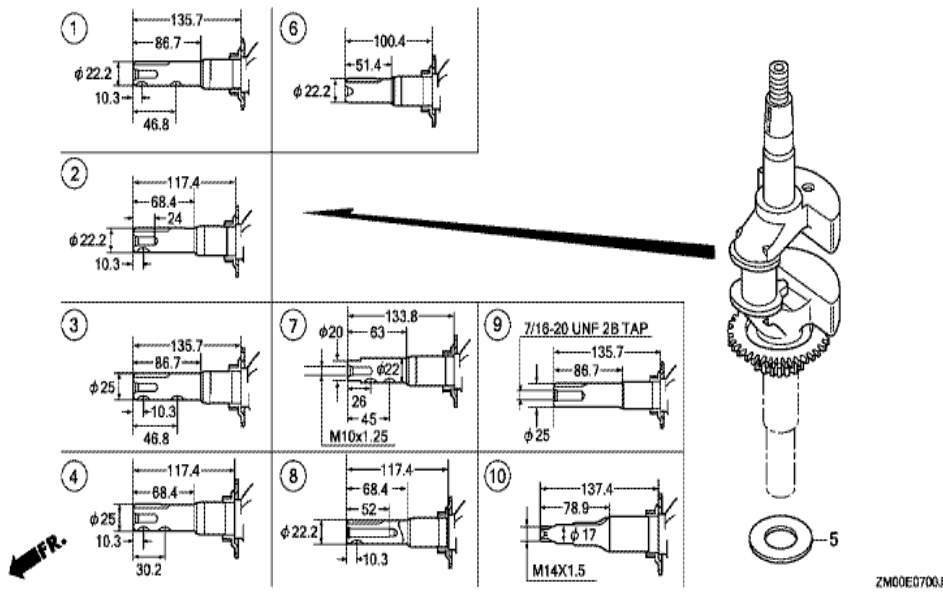
GCV160(N2)	E-6 OIL PAN
------------	-------------



Ref	Partnumber	Description	GCV160	Serial Numbers
001	11300-ZM0-405	PAN ASSY., OIL	1	
001	11300-ZM0-405	PAN ASSY., OIL	1	1212768
003	15625-ZE1-003	PACKING, OIL FILLER CAP	1	3724306
003	15625-ZE1-003	PACKING, OIL FILLER CAP	1	
007	15650-ZM0-003	GAUGE ASSY., OIL LEVEL	1	3724306
007	15650-ZM0-003	GAUGE ASSY., OIL LEVEL	1	
008	16508-ZM0-000	SHAFT COMP., GOVERNOR HOLDER	1	1887052
008	16508-ZM0-000	SHAFT COMP., GOVERNOR HOLDER	1	1887052
008	16508-ZM0-000	SHAFT COMP., GOVERNOR HOLDER	1	1887052
008	16508-ZM0-010	SHAFT COMP., GOVERNOR HOLDER	1	
008	16508-ZM0-010	SHAFT COMP., GOVERNOR HOLDER	1	
008	16508-ZM0-010	SHAFT COMP., GOVERNOR HOLDER	1	
008	16508-ZM0-010	SHAFT COMP., GOVERNOR HOLDER	1	1887053

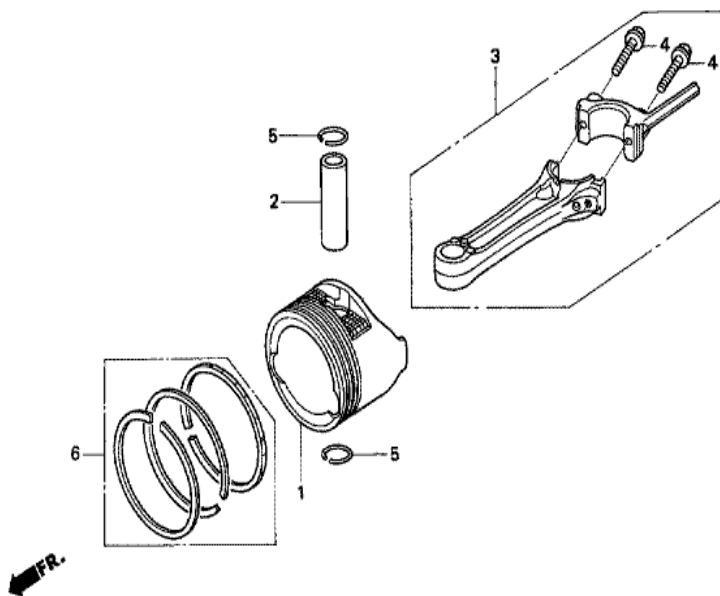
<u>Ref</u>	<u>Partnumber</u>	<u>Description</u>	<u>GCV160</u>	<u>Serial Numbers</u>
009	16510-ZM0-010	GOVERNOR ASSY.	1	
009	16510-ZM0-010	GOVERNOR ASSY.	1	
009	16510-ZM0-010	GOVERNOR ASSY.	1	
010	16511-ZL8-000	WEIGHT, GOVERNOR	2	
010	16511-ZL8-000	WEIGHT, GOVERNOR	2	
011	16512-ZM0-000	HOLDER, GOVERNOR WEIGHT	1	
011	16512-ZM0-000	HOLDER, GOVERNOR WEIGHT	1	
012	16513-ZE1-000	PIN, GOVERNOR WEIGHT	2	
013	16531-ZE1-000	SLIDER, GOVERNOR	1	
013	16531-ZE1-000	SLIDER, GOVERNOR	1	
014	16541-ZM0-000	SHAFT, GOVERNOR ARM	1	
014	16541-ZM0-000	SHAFT, GOVERNOR ARM	1	
014	16541-ZM0-000	SHAFT, GOVERNOR ARM	1	
015	90014-952-000	BOLT, FLANGE, 6X14 (CT200)	1	
016	90121-952-000	BOLT, FLANGE, 6X25 (CT200)	8	
016	90121-952-000	BOLT, FLANGE, 6X25 (CT200)	8	
016	90121-952-000	BOLT, FLANGE, 6X25 (CT200)	8	
017	90451-ZE1-000	WASHER, THRUST, 6MM	1	
017	90451-ZE1-000	WASHER, THRUST, 6MM	1	
018	90602-ZE1-000	CLIP, GOVERNOR HOLDER	1	
018	90602-ZE1-000	CLIP, GOVERNOR HOLDER	1	
019	91202-ZL8-003	OIL SEAL, 28X41.25X6	1	
021	94101-06800	WASHER, PLAIN, 6MM	1	
022	94251-08000	PIN, LOCK, 8MM	1	
023	94301-08200	DOWEL PIN, 8X20	2	
023	94301-08200	DOWEL PIN, 8X20	2	

GCV160(N2)	E-7 CRANKSHAFT (1)
------------	--------------------



Ref	Partnumber	Description	GCV160	Serial Numbers
002	13310-ZM0-600	CRANKSHAFT COMP.	1	
002	13310-ZM0-600	CRANKSHAFT COMP.	1	1892735
005	90402-ZL8-000	WASHER, THRUST	1	

GCV160(N2)	E-8 PISTON/CONNECTING ROD
------------	---------------------------



ZM00-B0800A

<u>Ref</u>	<u>Partnumber</u>	<u>Description</u>	<u>GCV160</u>	<u>Serial Numbers</u>
001	13101-ZL8-000	PISTON	1	
001	13101-ZL8-000	PISTON	1	
001	13101-ZL8-000	PISTON	1	
001	13101-ZL8-000	PISTON	1	
002	13111-ZE0-000	PIN, PISTON	1	
002	13111-ZE0-000	PIN, PISTON	1	
002	13111-ZE0-000	PIN, PISTON	1	
002	13111-ZE0-000	PIN, PISTON	1	
003	13200-ZL8-000	ROD ASSY., CONNECTING	1	
004	90001-ZE1-000	BOLT, CONNECTING ROD	2	
004	90001-ZE1-000	BOLT, CONNECTING ROD	2	
005	90551-ZE0-000	CLIP, PISTON PIN, 13MM	2	
006	13010-ZL8-003	RING SET, PISTON (RIKEN)	1	2033972
<u>Ref</u>	<u>Partnumber</u>	<u>Description</u>	<u>GCV160</u>	<u>Serial Numbers</u>
006	13010-ZL8-003	RING SET, PISTON (RIKEN)	1	
006	13010-ZL8-024	RING SET, PISTON (TEIKOKU)	1	8024760
006	13010-ZL8-024	RING SET, PISTON (TEIKOKU)	1	