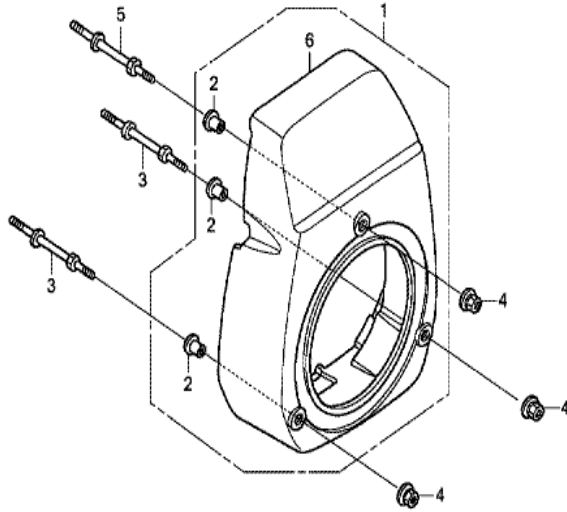


ZBC0E1100

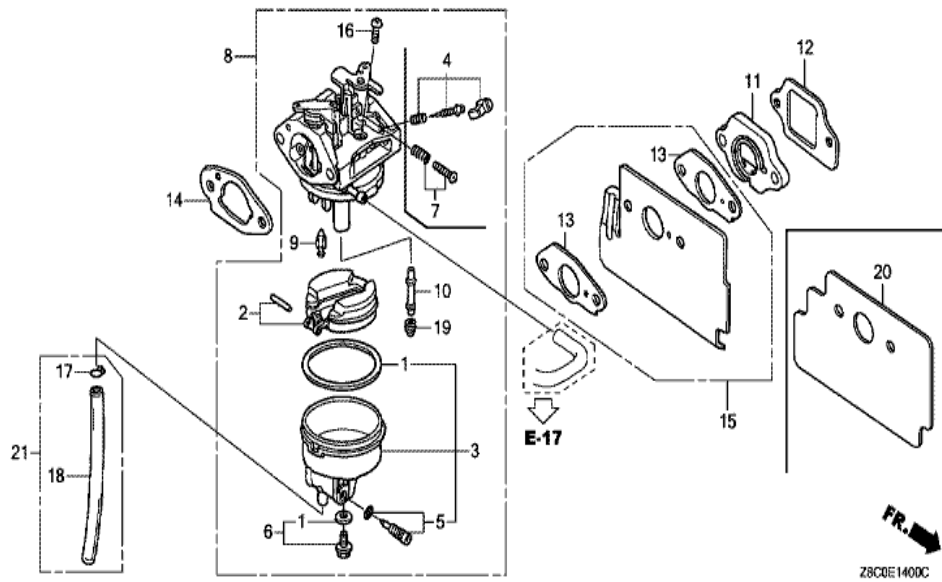


Ref	Partnumber	Description	GC190LA	Serial Numbers
001	28400-Z8A-003ZC	STARTER ASSY., RECOIL (SHORT ROPE) *NH1*	1	
002	28461-ZL8-003	GRIP, STARTER	1	
003	28462-ZL8-003	ROPE, RECOIL STARTER	1	



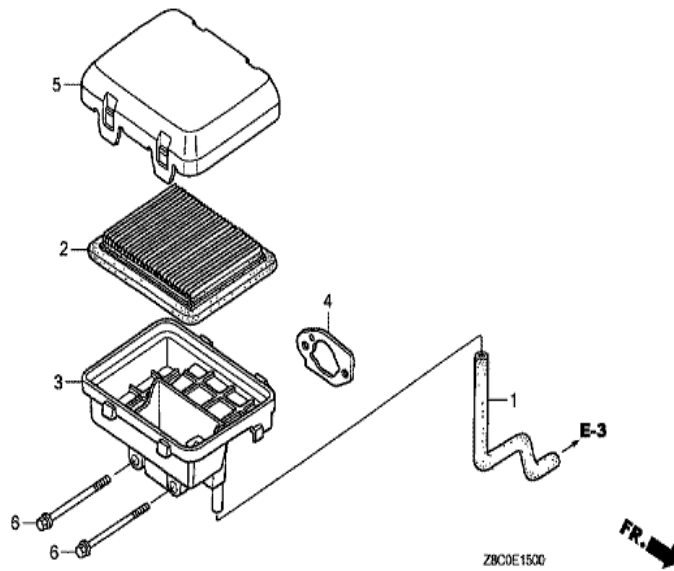
FR. →
Z8C0E1200B

Ref	Partnumber	Description	GC190LA	Serial Numbers
001	19611-Z1A-900ZD	COVER, FAN *T98*	1	
002	19619-ZL8-300	COLLAR, FAN COVER	3	
003	90043-Z8B-000	BOLT, STUD (FAN COVER)	2	
004	90201-ZM0-000	NUT, FLANGE, 6MM	3	
005	90043-Z8B-900	BOLT, STUD (FAN COVER)	1	

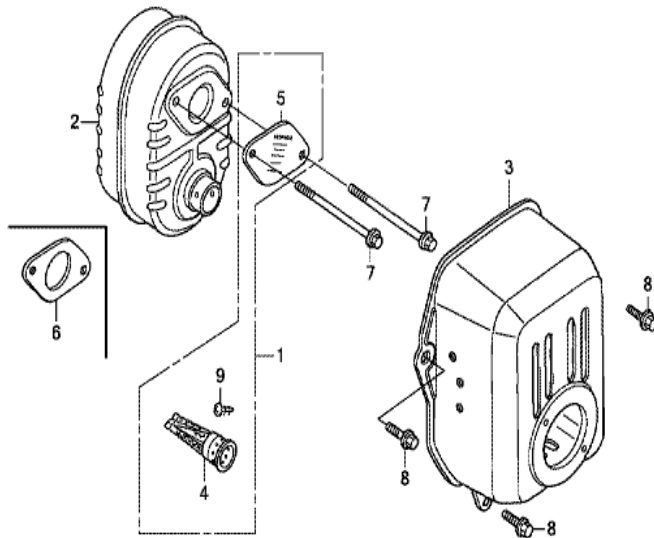


Z8C0E1400C

Ref	Partnumber	Description	GC190LA	Serial Numbers
001	16010-883-015	PACKING SET	1	
002	16013-ZL1-003	FLOAT SET	1	
003	16015-ZL8-003	CHAMBER SET, FLOAT	1	
005	16024-124-760	SCREW SET, DRAIN	1	
006	16028-ZE0-005	SCREW SET	1	
008	16100-Z1A-812	CARBURETOR ASSY. (BB61N B)	1	2301350
008	16100-Z8C-811	CARBURETOR ASSY. (BB61R A)	1	2301351
009	16155-ZL8-013	VALVE COMP., FLOAT	1	
010	16166-Z1A-003	NOZZLE, MAIN	1	BB61N B
010	16166-Z8C-801	NOZZLE, MAIN	1	BB61R A
011	16211-ZL8-000	INSULATOR, CARBURETOR	1	
012	16212-ZL8-000	PACKING, INSULATOR	1	
014	16228-ZL8-000	PACKING, CARBURETOR	1	
Ref	Partnumber	Description	GC190LA	Serial Numbers
016	93500-050061H	SCREW, PAN, 5X6	1	
017	95002-02650	CLIP, TUBE (B6.5)	1	
018	95003-0701531	TUBE, VINYL, 4X7X150 (95003-07001-60M)	1	
019	99101-1240620	JET, MAIN, #62	(1)	
019	99101-1240650	JET, MAIN, #65	(1)	
019	99101-1240680	JET, MAIN, #68	1	

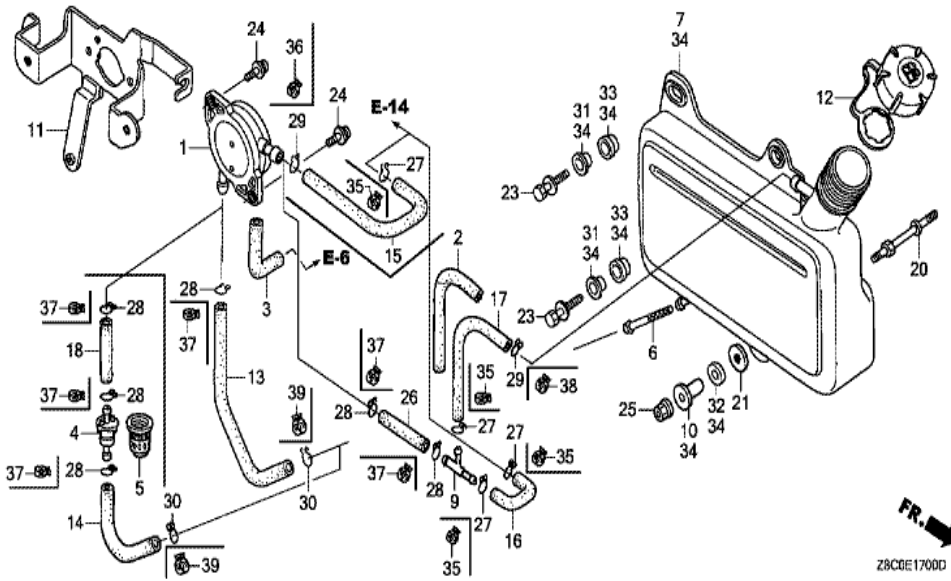


Ref	Partnumber	Description	GC190LA	Serial Numbers
001	15721-ZL8-000	TUBE, BREATHER	1	
002	17211-ZL8-023	ELEMENT, AIR CLEANER (TOYO ROKI)	1	
003	17220-ZL8-010	CASE COMP., AIR CLEANER	1	
004	17228-Z8A-000	PACKING, AIR CLEANER	1	
005	17231-ZOJ-040	COVER, AIR CLEANER	1	
006	90003-ZL8-000	BOLT, FLANGE, 6X112 (CT200)	2	



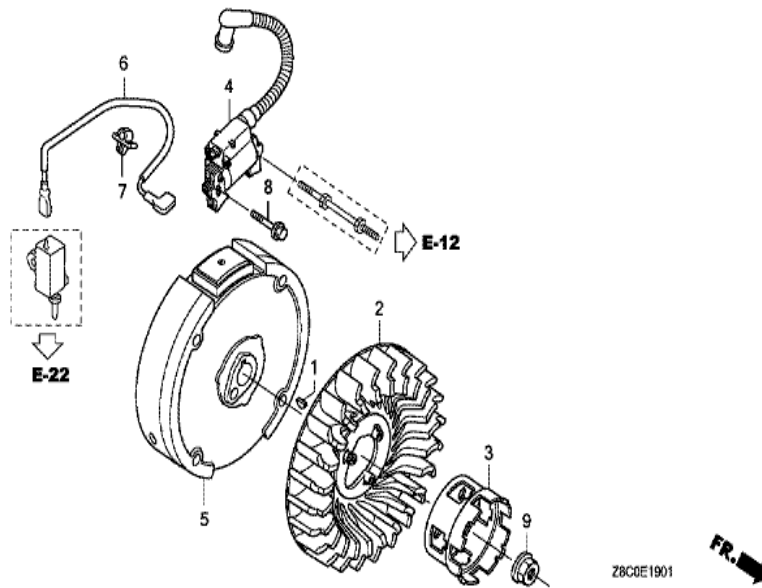
Z8C0E1600A

Ref	Partnumber	Description	GC190LA	Serial Numbers
001	06180-Z0J-000	ARRESTER KIT, SPARK	(1)	
002	18310-Z0Y-000	MUFFLER COMP.	1	
003	18321-Z0L-010	PROTECTOR, MUFFLER	1	
004	18350-ZL8-000	ARRESTER COMP., SPARK	(1)	
005	18356-ZL8-000	PLATE, ARRESTER NUMBER	(1)	
006	18381-ZL8-305	GASKET, MUFFLER	(1)	
007	90004-ZL8-000	BOLT, FLANGE, 6X79 (CT200)	2	
008	90013-883-000	BOLT, FLANGE, 6X12 (CT200)	3	
009	90055-ZE1-000	SCREW, TAPPING, 4X6	(1)	

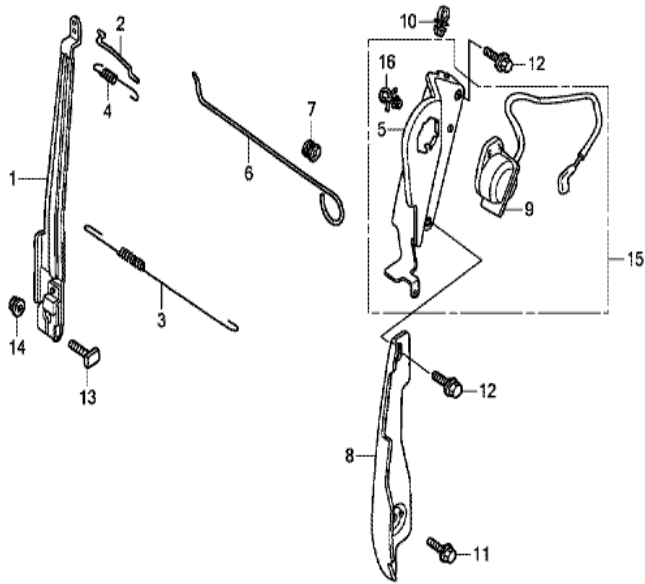


Z8C0E1700D

Ref	Partnumber	Description	GC190LA	Serial Numbers
001	16700-Z0J-003	PUMP ASSY., FUEL	1	
003	16882-ZL8-000	TUBE, DIAPHRAGM	1	
011	17561-Z0J-000	STAY A, FUEL TANK	1	
015	17702-Z8A-003	TUBE, FUEL (FKM)	1	2301351
015	17702-ZL8-000	TUBE, FUEL	1	2301350
024	93894-0501400	SCREW-WASHER, 5X14	2	
027	95002-02080	CLIP, TUBE (B8)	1	2301350
029	95002-50000	CLIP, TUBE (C9)	1	2301350
035	95002-4080008	CLAMP, TUBE (D8)	1	2301351
036	95002-4085008	CLAMP, TUBE (D8.5)	1	2301351

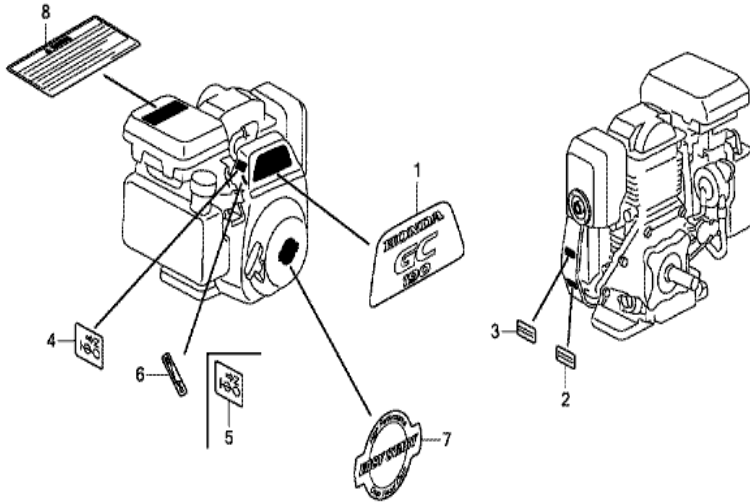


Ref	Partnumber	Description	GC190LA	Serial Numbers
001	13331-357-000	KEY, SPECIAL WOODRUFF, 25X18	1	2430732
001	13331-Z8B-900	KEY, SPECIAL WOODRUFF, 25X18	1	2430733
002	19511-ZOJ-900	FAN, COOLING	1	
003	28451-ZOJ-900	PULLEY, STARTER	1	
004	30500-ZOJ-004	COIL ASSY., IGNITION (TOYO)	1	
005	31110-ZOJ-004	FLYWHEEL COMP.	1	
006	32195-ZOJ-900	CORD, STOP SWITCH	1	
008	90018-ZE1-000	BOLT, FLANGE, 6X23 (CT200)	1	
009	90201-ZOT-800	NUT, SPECIAL, 14MM	1	



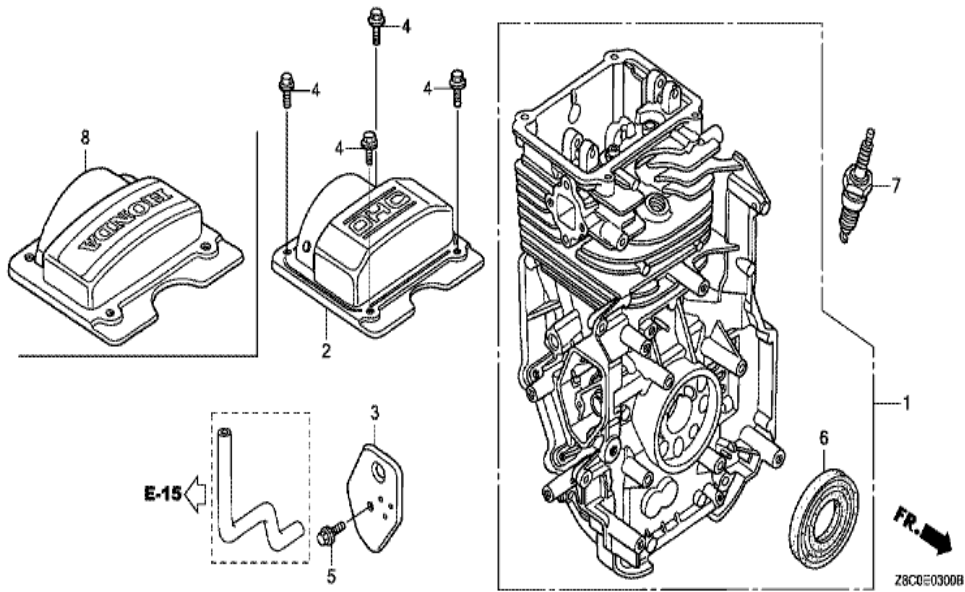
Z8C0E2201A

<u>Ref</u>	<u>Partnumber</u>	<u>Description</u>	<u>GC190LA</u>	<u>Serial Numbers</u>
001	16551-ZL8-010	ARM, GOVERNOR	1	
002	16555-ZL8-000	ROD, GOVERNOR	1	
003	16561-ZOJ-000	SPRING, GOVERNOR	1	
004	16562-ZL8-800	SPRING, THROTTLE RETURN	1	
005	16581-ZOJ-800	BASE, CONTROL	1	
006	16611-ZL8-000	ROD, CHOKE CONTROL	1	
007	16613-893-000	GROMMET, CHOKE ROD	1	
008	19612-ZOL-000	PLATE, SIDE	1	
010	51125-ZOL-003	HOLDER, WIRE (FASTEX)	1	
010	90681-959-003	CLIP A, CABLE (NIFCO) (3.8MM BLACK)	1	
011	90013-883-000	BOLT, FLANGE, 6X12 (CT200)	1	
012	90014-952-000	BOLT, FLANGE, 6X14 (CT200)	2	
013	90015-ZE5-010	BOLT, GOVERNOR ARM	1	
<u>Ref</u>	<u>Partnumber</u>	<u>Description</u>	<u>GC190LA</u>	<u>Serial Numbers</u>
014	94050-06000	NUT, FLANGE, 6MM	1	

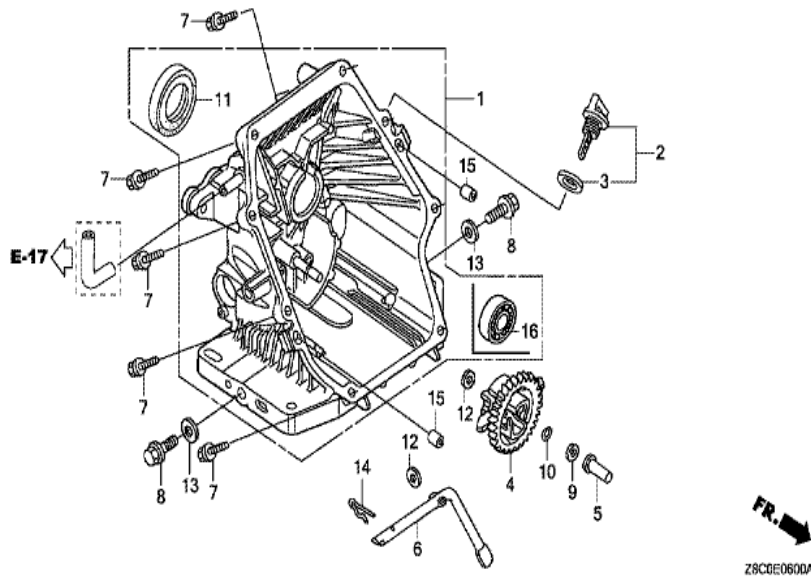


Z8C0E2800C

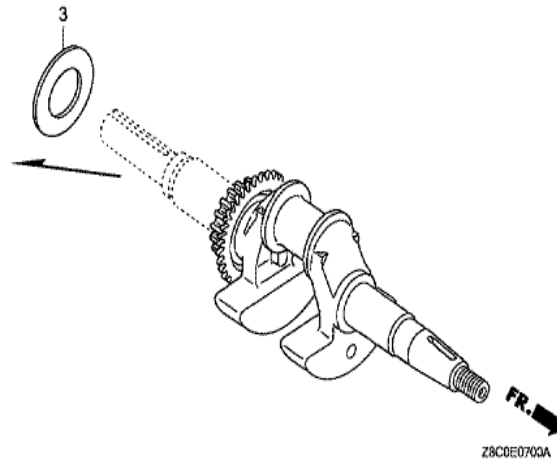
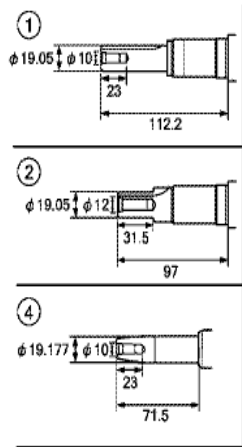
Ref	Partnumber	Description	GC190LA	Serial Numbers
001	87101-Z1A-010	MARK, EMBLEM (GC190)	1	
003	87114-ZH7-821	LABEL, WARNING (NOT CERTIFIED FOR SALE)	1	
004	87528-ZL8-000	MARK, CHOKE	1	
007	87169-Z8A-000	MARK, RECOIL COVER	1	
008	87516-Z0J-000	MARK, OPERATOR CAUTION (ENGLISH)	1	



Ref	Partnumber	Description	GC190LA	Serial Numbers
001	12000-Z1A-405	BARREL ASSY., CYLINDER	1	
002	12310-Z8A-000	COVER COMP., CYLINDER HEAD	1	
003	12355-ZL8-000	COVER COMP., BREATHER	1	
004	90013-883-000	BOLT, FLANGE, 6X12 (CT200)	4	
005	90014-952-000	BOLT, FLANGE, 6X14 (CT200)	1	
006	91201-ZL8-003	OIL SEAL, 25.4X62X6	1	
007	98079-56846	PLUG, SPARK (BPR6ES) (NGK)	1	

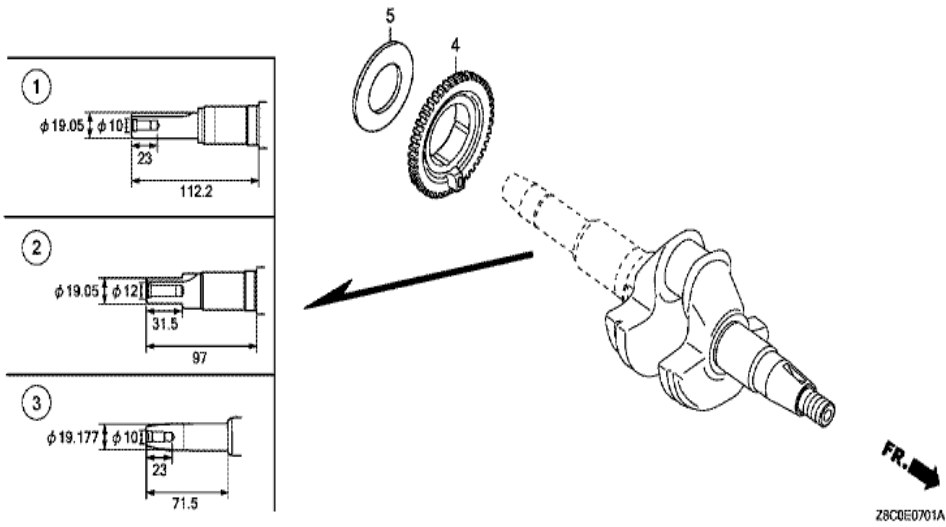


<u>Ref</u>	<u>Partnumber</u>	<u>Description</u>	<u>GC190LA</u>	<u>Serial Numbers</u>
001	11300-Z2A-405	COVER ASSY., CRANKCASE	1	
002	15650-Z1A-000	GAUGE ASSY., OIL LEVEL	1	
003	15625-Z2L-801	PACKING, OIL FILLER CAP	1	
004	16510-ZL8-000	GOVERNOR ASSY.	1	
005	16531-ZE1-000	SLIDER, GOVERNOR	1	
006	16541-Z8A-000	SHAFT, GOVERNOR ARM	1	
007	90121-952-000	BOLT, FLANGE, 6X25 (CT200)	8	
008	90131-883-000	BOLT, DRAIN PLUG, 12X15	2	
009	90451-ZE1-000	WASHER, THRUST, 6MM	1	
010	90602-ZE1-000	CLIP, GOVERNOR HOLDER	1	
011	91202-ZL8-003	OIL SEAL, 28X41.25X6	1	
012	94101-06800	WASHER, PLAIN, 6MM	2	
013	94109-12000	WASHER, DRAIN PLUG, 12MM	2	
<u>Ref</u>	<u>Partnumber</u>	<u>Description</u>	<u>GC190LA</u>	<u>Serial Numbers</u>
014	94251-08000	PIN, LOCK, 8MM	1	
015	90701-Z8B-000	DOWEL PIN, 8X20	2	
016	91001-ZL8-003	BEARING, RADIAL BALL, 62/28	1	

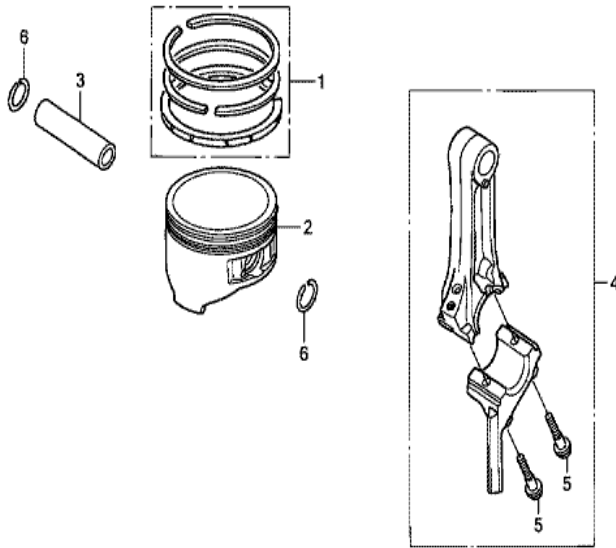


Z8C0E0700A

Ref	Partnumber	Description	GC190LA	Serial Numbers
003	90402-ZL8-000	WASHER, THRUST	1	2430732
004	13310-Z1A-670	CRANKSHAFT COMP.	1	2430732
004	13310-Z8C-670	CRANKSHAFT COMP.	1	2430732



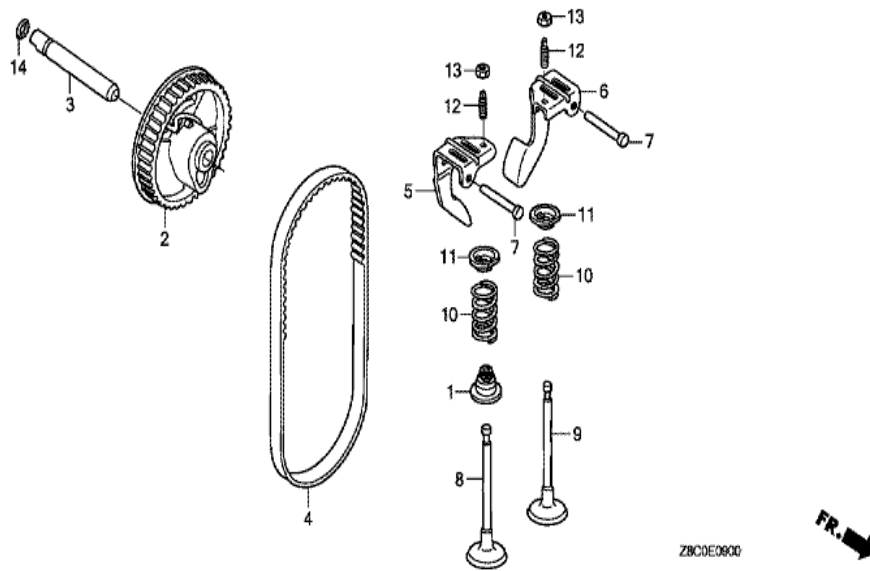
Ref	Partnumber	Description	GC190LA	Serial Numbers
003	13311-Z8C-970	CRANKSHAFT (V-TYPE)	1	2430733
004	13621-Z8B-900	PULLEY, TIMING BELT DRIVE	1	2430733
005	90402-ZL8-000	WASHER, THRUST	1	2430733



Z8C0E0800



Ref	Partnumber	Description	GC190LA	Serial Numbers
001	13010-ZOY-014	RING SET, PISTON (STD.) (TEIKOKU)	1	
002	13101-ZOY-010	PISTON	1	2300000
002	13101-Z8D-820	PISTON	1	2300001
003	13111-ZOY-000	PIN, PISTON	1	
004	13200-ZOY-010	ROD ASSY., CONNECTING	1	
005	90006-Z8B-000	BOLT, CONNECTING ROD	2	
006	90551-ZE0-000	CLIP, PISTON PIN, 13MM	2	



<u>Ref</u>	<u>Partnumber</u>	<u>Description</u>	<u>GC190LA</u>	<u>Serial Numbers</u>
001	12209-ZM0-003	SEAL, VALVE STEM	1	
002	14320-Z0Y-000	PULLEY COMP., CAMSHAFT	1	
003	14324-Z8B-000	SHAFT, CAM PULLEY	1	
004	14400-Z8B-003	BELT, TIMING (84HU6 G-200)	1	
005	14431-Z0J-000	ARM, IN. VALVE ROCKER	1	
006	14441-Z0J-000	ARM, EX. VALVE ROCKER	1	
007	14461-ZL8-000	SHAFT, ROCKER ARM	2	
008	14711-Z0J-800	VALVE, IN.	1	
008	14711-ZL8-000	VALVE, IN. (TECHNOSTAR)	1	
009	14721-Z8B-000	VALVE, EX. (C8E)	1	
009	14721-ZL8-000	VALVE, EX. (L8E)	1	
010	14751-ZL8-000	SPRING, VALVE	2	
011	14771-Z0J-000	RETAINER, VALVE SPRING	2	
<u>Ref</u>	<u>Partnumber</u>	<u>Description</u>	<u>GC190LA</u>	<u>Serial Numbers</u>
012	90012-333-000	SCREW, TAPPET ADJUSTING	2	
013	90206-001-000	NUT, TAPPET ADJUSTING	2	
014	91301-ZM0-V31	O-RING, 6.8X1.9 (ARAI)	1	