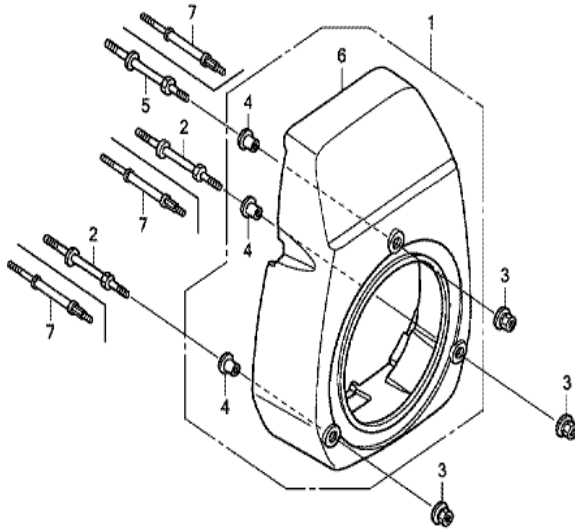


ZL80-E1100

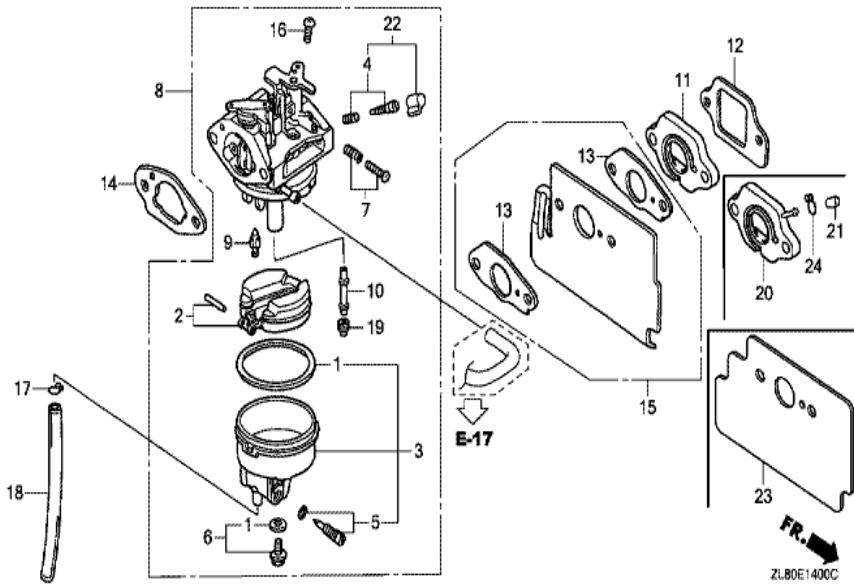


| Ref | Partnumber      | Description                   | GC160A | Serial Numbers |
|-----|-----------------|-------------------------------|--------|----------------|
| 001 | 28400-ZL8-023ZA | STARTER ASSY., RECOIL *NH1 *  | 1      |                |
| 001 | 28400-ZL8-023ZA | STARTER ASSY., RECOIL *NH1 *  | 1      |                |
| 001 | 28400-ZL8-023ZA | STARTER ASSY., RECOIL *NH1 *  | 1      |                |
| 001 | 28400-ZL8-023ZC | STARTER ASSY., RECOIL *R280 * | 1      |                |
| 001 | 28400-ZL8-023ZC | STARTER ASSY., RECOIL *R280 * | 1      |                |
| 001 | 28400-ZL8-023ZC | STARTER ASSY., RECOIL *R280 * | 1      |                |
| 002 | 28461-ZL8-003   | GRIP, STARTER                 | 1      |                |
| 003 | 28462-ZL8-003   | ROPE, RECOIL STARTER          | 1      |                |



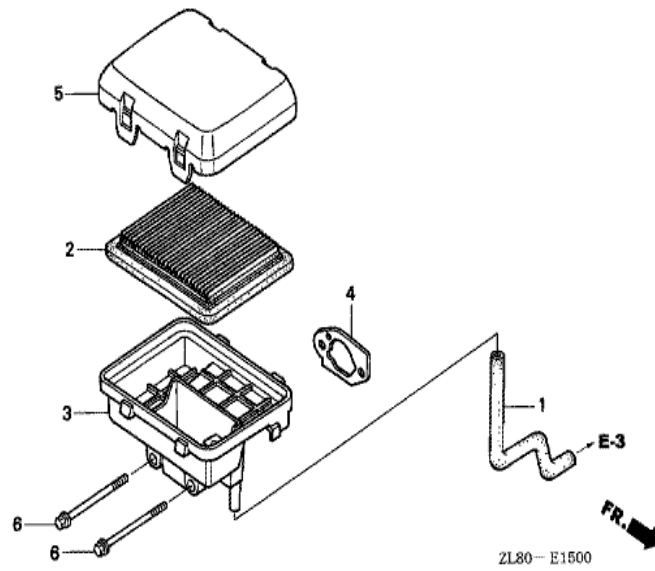
ZL80E1200D

| Ref | Partnumber      | Description           | GC160A | Serial Numbers |
|-----|-----------------|-----------------------|--------|----------------|
| 001 | 19611-ZL8-000ZA | COVER, FAN *NH1 *     | 1      | 3754930        |
| 001 | 19611-ZL8-000ZA | COVER, FAN *NH1 *     | 1      |                |
| 001 | 19611-ZL8-000ZC | COVER, FAN *R280 *    | 1      | 1804974        |
| 001 | 19611-ZL8-000ZC | COVER, FAN *R280 *    | 1      |                |
| 002 | 90043-ZL8-000   | BOLT, STUD (H=42.5MM) | 2      |                |
| 003 | 90201-ZM0-000   | NUT, FLANGE, 6MM      | 3      |                |
| 003 | 90201-ZM0-000   | NUT, FLANGE, 6MM      | 3      |                |
| 004 | 19619-ZL8-300   | COLLAR, FAN COVER     | 3      |                |
| 005 | 90043-ZL8-000   | BOLT, STUD (H=42.5MM) | 1      |                |
| 005 | 90043-ZL8-000   | BOLT, STUD (H=42.5MM) | 1      |                |

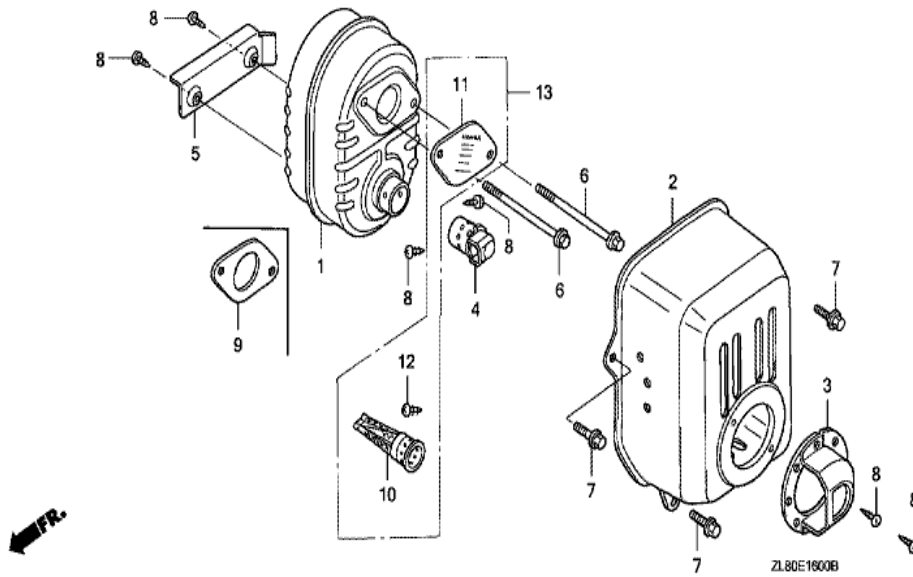


| Ref | Partnumber    | Description                | GC160A | Serial Numbers  |
|-----|---------------|----------------------------|--------|-----------------|
| 001 | 16010-883-015 | PACKING SET                | 1      |                 |
| 002 | 16013-ZL1-003 | FLOAT SET                  | 1      |                 |
| 003 | 16015-ZL8-003 | CHAMBER SET, FLOAT         | 1      |                 |
| 005 | 16024-124-760 | SCREW SET, DRAIN           | 1      |                 |
| 006 | 16028-ZE0-005 | SCREW SET                  | 1      |                 |
| 007 | 16029-ZG0-901 | SCREW SET (THROTTLE STOP)  | 1      |                 |
| 008 | 16100-Z0J-003 | CARBURETOR ASSY. (BB61J A) | 1      | 1142746         |
| 008 | 16100-Z0J-003 | CARBURETOR ASSY. (BB61J A) | 1      | 3325758         |
| 008 | 16100-ZL8-802 | CARBURETOR ASSY. (BB61B C) | 1      | 1468999         |
| 008 | 16100-ZL8-802 | CARBURETOR ASSY. (BB61B C) | 1      | 2893263         |
| 008 | 16100-ZL8-802 | CARBURETOR ASSY. (BB61B C) | 1      | 2893263         |
| 008 | 16100-ZL8-803 | CARBURETOR ASSY. (BB61B D) | 1      | 2893264         |
| 008 | 16100-ZL8-803 | CARBURETOR ASSY. (BB61B D) | 1      | 2893264 3325757 |

| <u>Ref</u> | <u>Partnumber</u> | <u>Description</u>                     | <u>GC160A</u> | <u>Serial Numbers</u> |
|------------|-------------------|--|---------------|-----------------------|
| 008        | 16100-ZL8-803     | CARBURETOR ASSY. (BB61B D)             | 1             | 2893264 3325757       |
| 009        | 16155-ZL8-003     | VALVE COMP., FLOAT                     | 1             |                       |
| 009        | 16155-ZL8-003     | VALVE COMP., FLOAT                     | 1             | BB61B C               |
| 009        | 16155-ZL8-013     | VALVE COMP., FLOAT                     | 1             | BB63B C               |
| 009        | 16155-ZL8-013     | VALVE COMP., FLOAT                     | 1             |                       |
| 009        | 16155-ZL8-013     | VALVE COMP., FLOAT                     | 1             | BB61B D               |
| 010        | 16166-ZL8-003     | NOZZLE, MAIN                           | 1             |                       |
| 010        | 16166-ZL8-003     | NOZZLE, MAIN                           | 1             |                       |
| 011        | 16211-ZL8-000     | INSULATOR, CARBURETOR                  | 1             |                       |
| 011        | 16211-ZL8-000     | INSULATOR, CARBURETOR                  | 1             |                       |
| 012        | 16212-ZL8-000     | PACKING, INSULATOR                     | 1             |                       |
| 013        | 16221-883-800     | PACKING, CARBURETOR                    | 2             |                       |
| 014        | 16228-ZL8-000     | PACKING, CARBURETOR                    | 1             |                       |
| 015        | 19650-ZL8-000     | GUIDE COMP., AIR                       | 1             |                       |
| 015        | 19650-ZL8-000     | GUIDE COMP., AIR                       | 1             | 1301372               |
| 016        | 93500-050061H     | SCREW, PAN, 5X6                        | 1             |                       |
| 017        | 95002-02650       | CLIP, TUBE (B6.5)                      | 1             |                       |
| 018        | 95003-0701531     | TUBE, VINYL, 4X7X150 (95003-07001-60M) | 1             |                       |
| 019        | 99101-1240600     | JET, MAIN, #60                         | (1)           |                       |
| 019        | 99101-1240600     | JET, MAIN, #60                         | (1)           |                       |
| 019        | 99101-1240620     | JET, MAIN, #62                         | (1)           |                       |
| 019        | 99101-1240620     | JET, MAIN, #62                         | (1)           |                       |
| 019        | 99101-1240650     | JET, MAIN, #65                         | 1             |                       |
| 019        | 99101-1240650     | JET, MAIN, #65                         | 1             |                       |
| 022        | 16016-ZGO-W00     | SCREW SET                              | 1             |                       |



| Ref | Partnumber    | Description                      | GC160A | Serial Numbers |
|-----|---------------|----------------------------------|--------|----------------|
| 001 | 15721-ZL8-000 | TUBE, BREATHER                   | 1      |                |
| 001 | 15721-ZL8-000 | TUBE, BREATHER                   | 1      |                |
| 002 | 17211-ZL8-023 | ELEMENT, AIR CLEANER (TOYO ROKI) | 1      |                |
| 003 | 17220-ZL8-000 | CASE COMP., AIR CLEANER          | 1      |                |
| 004 | 17228-ZL8-000 | PACKING, AIR CLEANER             | 1      |                |
| 004 | 17228-ZL8-000 | PACKING, AIR CLEANER             | 1      |                |
| 005 | 17231-ZOJ-020 | COVER, AIR CLEANER               | 1      |                |
| 005 | 17231-ZOJ-020 | COVER, AIR CLEANER               | 1      |                |
| 006 | 90003-ZL8-000 | BOLT, FLANGE, 6X112 (CT200)      | 2      |                |
| 006 | 90003-ZL8-000 | BOLT, FLANGE, 6X112 (CT200)      | 2      |                |



| <u>Ref</u> | <u>Partnumber</u> | <u>Description</u>         | <u>GC160A</u> | <u>Serial Numbers</u> |
|------------|-------------------|----------------------------|---------------|-----------------------|
| 001        | 18310-ZL8-010     | MUFFLER COMP.              | 1             |                       |
| 001        | 18310-ZL8-010     | MUFFLER COMP.              | 1             |                       |
| 001        | 18310-ZL8-010     | MUFFLER COMP.              | 1             |                       |
| 002        | 18321-Z0L-000     | PROTECTOR, MUFFLER         | 1             |                       |
| 002        | 18321-Z0L-000     | PROTECTOR, MUFFLER         | 1             |                       |
| 005        | 19664-ZL8-000     | SHROUD, MUFFLER            | 1             |                       |
| 006        | 90004-ZL8-000     | BOLT, FLANGE, 6X79 (CT200) | 2             |                       |
| 007        | 90013-883-000     | BOLT, FLANGE, 6X12 (CT200) | 3             |                       |
| 008        | 90055-ZE1-000     | SCREW, TAPPING, 4X6        | 2             |                       |
| 009        | 18381-ZL8-305     | GASKET, MUFFLER            | (1)           |                       |
| 010        | 18350-ZL8-000     | ARRESTER COMP., SPARK      | 1             |                       |
| 010        | 18350-ZL8-000     | ARRESTER COMP., SPARK      | (1)           |                       |
| 011        | 18356-ZL8-000     | PLATE, ARRESTER NUMBER     | 1             |                       |
| <u>Ref</u> | <u>Partnumber</u> | <u>Description</u>         | <u>GC160A</u> | <u>Serial Numbers</u> |
| 011        | 18356-ZL8-000     | PLATE, ARRESTER NUMBER     | (1)           |                       |
| 012        | 90055-ZE1-000     | SCREW, TAPPING, 4X6        | 1             |                       |
| 012        | 90055-ZE1-000     | SCREW, TAPPING, 4X6        | (1)           |                       |
| 013        | 06180-Z0J-000     | ARRESTER KIT, SPARK        | (1)           |                       |

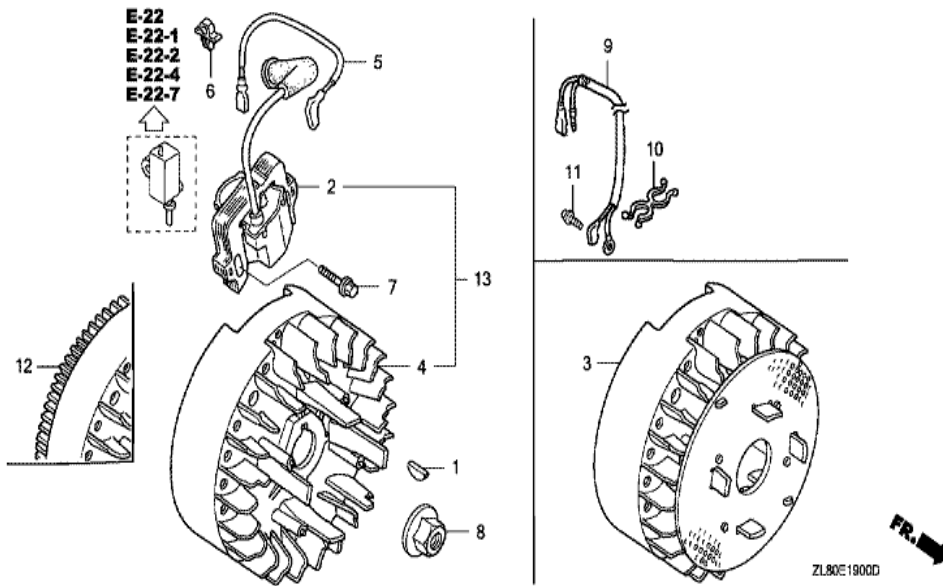


ZL80E1700D

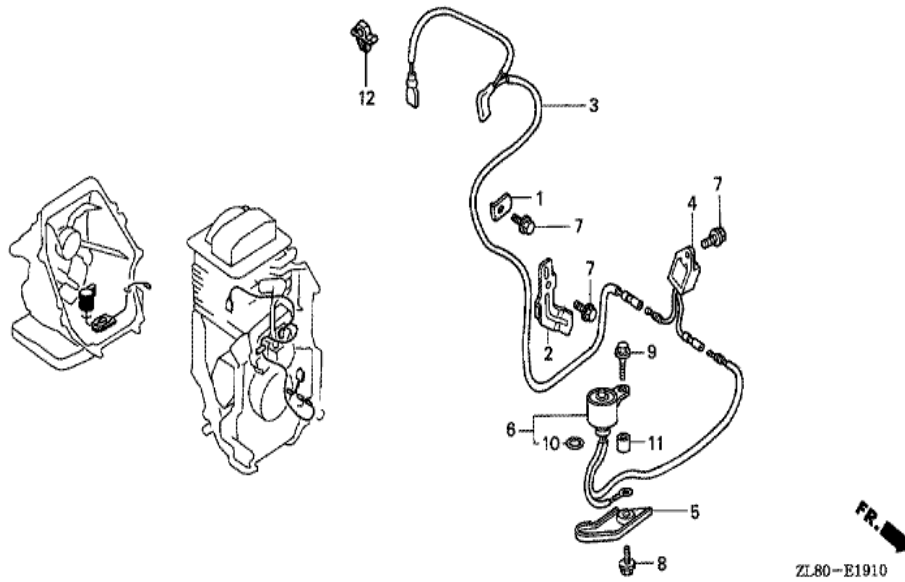
| Ref | Partnumber    | Description               | GC160A | Serial Numbers |
|-----|---------------|---------------------------|--------|----------------|
| 001 | 16700-ZOJ-003 | PUMP ASSY., FUEL          | 1      |                |
| 001 | 16700-ZOJ-003 | PUMP ASSY., FUEL          | 1      | 1116938        |
| 003 | 16882-ZL8-000 | TUBE, DIAPHRAGM           | 1      |                |
| 003 | 16882-ZL8-000 | TUBE, DIAPHRAGM           | 1      |                |
| 004 | 16952-ZA8-800 | STRAINER, FUEL            | 1      |                |
| 004 | 16952-ZA8-800 | STRAINER, FUEL            | 1      |                |
| 005 | 17511-ZL8-000 | TANK, FUEL                | 1      |                |
| 005 | 17511-ZL8-000 | TANK, FUEL                | 1      |                |
| 005 | 17511-ZL8-000 | TANK, FUEL                | 1      |                |
| 006 | 17516-ZV0-000 | RUBBER B, TANK MOUNTING   | 2      |                |
| 008 | 17535-166-000 | COLLAR, FR. COVER SETTING | 1      |                |
| 009 | 17561-ZOJ-000 | STAY A, FUEL TANK         | 1      | 3363962        |
| 009 | 17561-ZOJ-000 | STAY A, FUEL TANK         | 1      | 3363962        |

| <u>Ref</u> | <u>Partnumber</u> | <u>Description</u>            | <u>GC160A</u> | <u>Serial Numbers</u> |
|------------|-------------------|-------------------------------|---------------|-----------------------|
| 009        | 17561-ZL8-000     | STAY A, FUEL TANK             | 1             |                       |
| 009        | 17561-ZL8-000     | STAY A, FUEL TANK             | 1             | 3363961               |
| 010        | 17620-ZL8-013     | CAP ASSY., FUEL TANK          | 1             | 1709717               |
| 010        | 17620-ZL8-013     | CAP ASSY., FUEL TANK          | 1             |                       |
| 011        | 17701-ZOJ-003     | TUBE, FUEL TANK (FKM)         | 1             | 3325758               |
| 011        | 17701-ZL8-000     | TUBE, FUEL TANK               | 1             |                       |
| 011        | 17701-ZL8-000     | TUBE, FUEL TANK               | 1             | 1142745               |
| 011        | 17701-ZL8-000     | TUBE, FUEL TANK               | 1             | 3325757               |
| 012        | 17702-ZOJ-003     | TUBE, FUEL (FKM)              | 1             | 3325758               |
| 012        | 17702-ZL8-000     | TUBE, FUEL                    | 1             |                       |
| 012        | 17702-ZL8-000     | TUBE, FUEL                    | 1             | 1142745               |
| 012        | 17702-ZL8-000     | TUBE, FUEL                    | 1             | 3325757               |
| 015        | 80103-MG2-000     | CUSHION, RR. FENDER           | 1             |                       |
| 016        | 90041-ZL8-000     | BOLT, FUEL TANK STUD (H=30MM) | 1             |                       |
| 017        | 90473-896-000     | WASHER, 6MM                   | 1             |                       |
| 018        | 90501-KA2-640     | COLLAR, 14X6.1                | 2             |                       |
| 019        | 93404-0602500     | BOLT-WASHER, 6X25             | 2             |                       |
| 020        | 93894-0501400     | SCREW-WASHER, 5X14            | 2             |                       |
| 021        | 94050-06000       | NUT, FLANGE, 6MM              | 1             |                       |
| 023        | 95002-02080       | CLIP, TUBE (B8)               | 1             |                       |
| 023        | 95002-02080       | CLIP, TUBE (B8)               | 1             | 3325757               |
| 024        | 95002-02100       | CLIP, TUBE (B10)              | 1             |                       |
| 024        | 95002-02100       | CLIP, TUBE (B10)              | 1             | 3325757               |
| 025        | 95002-50000       | CLIP, TUBE (C9)               | 1             |                       |
| 025        | 95002-50000       | CLIP, TUBE (C9)               | 1             | 3325757               |
| 026        | 95002-70000       | CLIP, TUBE (C11)              | 1             |                       |
| 026        | 95002-70000       | CLIP, TUBE (C11)              | 1             | 3325757               |
| 031        | 95002-4080008     | CLAMP, TUBE (D8)              | 1             |                       |
| 031        | 95002-4080008     | CLAMP, TUBE (D8)              | 1             | 1142746               |
| 031        | 95002-4080008     | CLAMP, TUBE (D8)              | 1             | 3325758               |
| 032        | 95002-4085008     | CLAMP, TUBE (D8.5)            | 1             |                       |
| 032        | 95002-4085008     | CLAMP, TUBE (D8.5)            | 1             | 1142746               |
| 032        | 95002-4085008     | CLAMP, TUBE (D8.5)            | 1             | 3325758               |
| <u>Ref</u> | <u>Partnumber</u> | <u>Description</u>            | <u>GC160A</u> | <u>Serial Numbers</u> |
| 033        | 95002-4100008     | CLAMP, TUBE (D10)             | 1             |                       |
| 033        | 95002-4100008     | CLAMP, TUBE (D10)             | 1             | 1142746               |
| 033        | 95002-4100008     | CLAMP, TUBE (D10)             | 1             | 3325758               |
| 034        | 95002-4120008     | CLAMP, TUBE (D12)             | 1             |                       |
| 034        | 95002-4120008     | CLAMP, TUBE (D12)             | 1             | 1142746               |
| 034        | 95002-4120008     | CLAMP, TUBE (D12)             | 1             | 3325758               |
| 035        | 17622-ZL8-003     | SPONGE, FUEL CAP BREATHER     | 1             | 1102861               |
| 035        | 17622-ZL8-003     | SPONGE, FUEL CAP BREATHER     | 1             |                       |
| 036        | 17624-ZL8-003     | PACKING, FUEL CAP             | 1             |                       |
| 036        | 17624-ZL8-003     | PACKING, FUEL CAP             | 1             |                       |



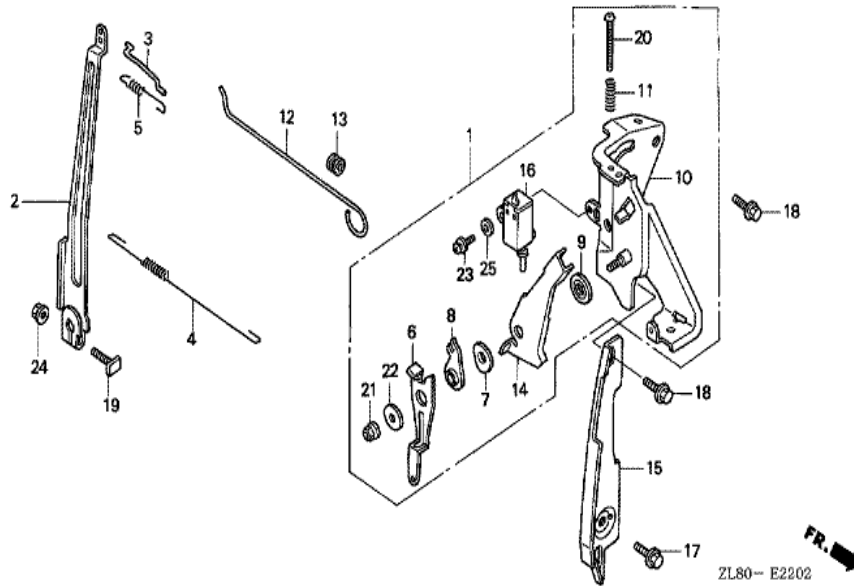


| Ref | Partnumber    | Description                              | GC160A | Serial Numbers |
|-----|---------------|--|--------|----------------|
| 001 | 13331-357-000 | KEY, SPECIAL WOODRUFF, 25X18             | 1      |                |
| 002 | 30500-Z0J-003 | COIL ASSY., IGNITION (PHELON) (USE FOR F | 1      |                |
| 002 | 30500-Z0J-003 | COIL ASSY., IGNITION (PHELON) (USE FOR F | 1      | 3754930        |
| 004 | 31110-Z0J-013 | FLYWHEEL COMP. (PHELON) (USE FOR IGN. CO | 1      |                |
| 004 | 31110-Z0J-013 | FLYWHEEL COMP. (PHELON) (USE FOR IGN. CO | 1      | 3754930        |
| 007 | 90022-888-010 | BOLT, FLANGE, 6X20 (CT200)               | 1      |                |
| 008 | 90201-878-003 | NUT, SPECIAL, 14MM                       | 1      |                |

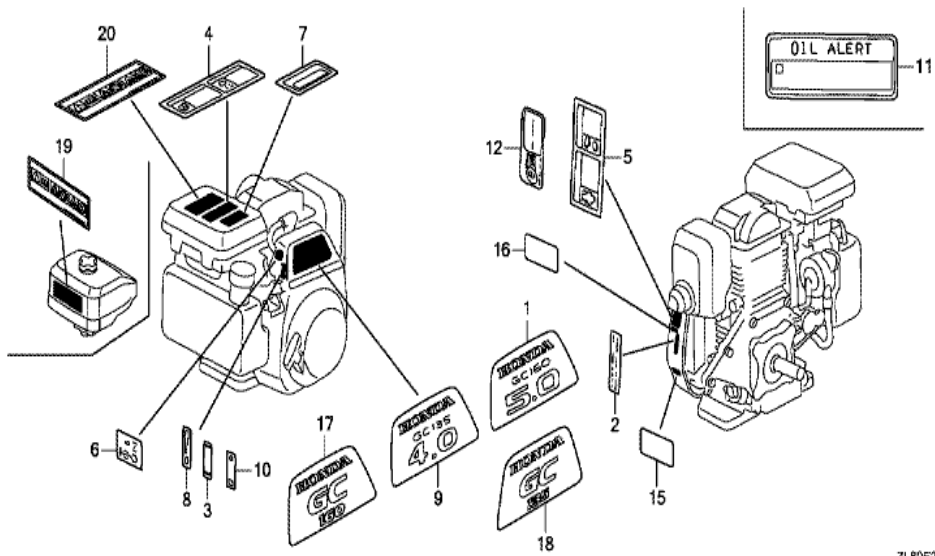


ZL80-E1910

| <u>Ref</u> | <u>Partnumber</u> | <u>Description</u>         | <u>GC160A</u> | <u>Serial Numbers</u> |
|------------|-------------------|----------------------------|---------------|-----------------------|
| 001        | 30548-ZL8-000     | CLAMPER, STOP SWITCH CORD  | 1             |                       |
| 002        | 30549-ZL8-000     | CLAMPER, CORD              | 1             |                       |
| 003        | 32195-Z0J-810     | CORD, STOP SWITCH          | 1             |                       |
| 004        | 34150-ZL8-003     | ALERT UNIT, OIL            | 1             |                       |
| 004        | 34150-ZL8-003     | ALERT UNIT, OIL            | 1             |                       |
| 005        | 35419-ZL8-000     | PROTECTOR, SWITCH          | 1             |                       |
| 006        | 35480-ZL8-811     | SWITCH COMP., OIL LEVEL    | 1             |                       |
| 007        | 90013-883-000     | BOLT, FLANGE, 6X12 (CT200) | 2             | 1045124               |
| 007        | 90013-883-000     | BOLT, FLANGE, 6X12 (CT200) | 3             |                       |
| 008        | 90014-952-000     | BOLT, FLANGE, 6X14 (CT200) | 1             |                       |
| 009        | 90015-883-000     | BOLT, FLANGE, 6X28 (CT200) | 1             |                       |
| 010        | 91302-ZL8-003     | O-RING, 11.8X2.4           | 1             |                       |
| 010        | 91302-ZL8-003     | O-RING, 11.8X2.4           | 1             |                       |
| <u>Ref</u> | <u>Partnumber</u> | <u>Description</u>         | <u>GC160A</u> | <u>Serial Numbers</u> |
| 011        | 91501-ZL8-000     | COLLAR, 6.6X13.8X14.5      | 1             |                       |
| 012        | 36103-ZE1-000     | HOLDER, STOP SWITCH CORD   | 1             |                       |

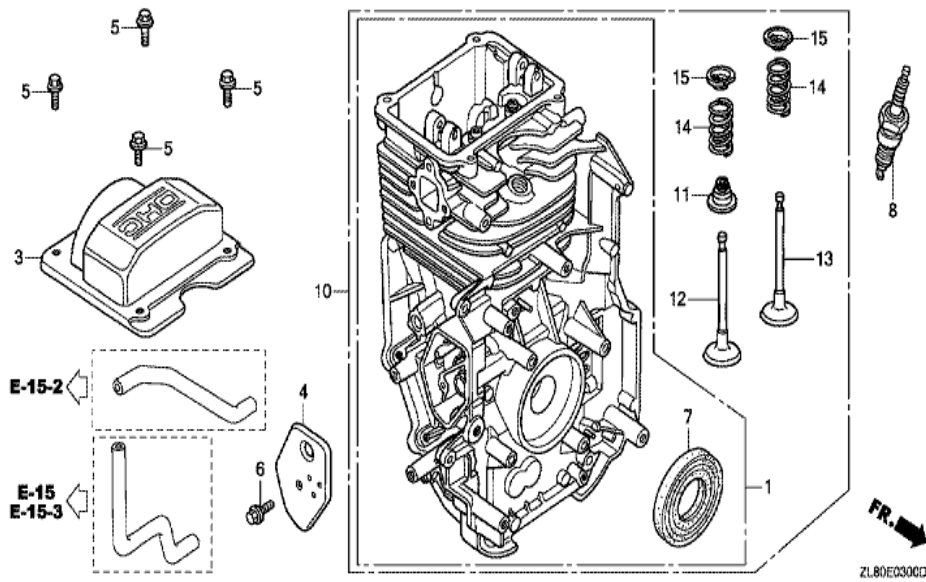


| <u>Ref</u> | <u>Partnumber</u> | <u>Description</u>              | <u>GC160A</u> | <u>Serial Numbers</u> |
|------------|-------------------|---------------------------------|---------------|-----------------------|
| 001        | 16500-ZL8-850     | CONTROL ASSY.                   | 1             |                       |
| 002        | 16551-ZL8-000     | ARM, GOVERNOR                   | 1             |                       |
| 002        | 16551-ZL8-000     | ARM, GOVERNOR                   | 1             |                       |
| 003        | 16555-ZL8-000     | ROD, GOVERNOR                   | 1             |                       |
| 004        | 16561-ZL8-810     | SPRING, GOVERNOR                | 1             |                       |
| 004        | 16561-ZL8-810     | SPRING, GOVERNOR                | 1             |                       |
| 005        | 16562-ZL8-800     | SPRING, THROTTLE RETURN         | 1             |                       |
| 005        | 16562-ZL8-800     | SPRING, THROTTLE RETURN         | 1             |                       |
| 006        | 16571-ZL8-850     | LEVER, CONTROL                  | 1             |                       |
| 007        | 16574-ZE1-000     | SPRING, LEVER                   | 1             |                       |
| 008        | 16575-ZL8-000     | WASHER, CONTROL LEVER (###)     | 1             |                       |
| 009        | 16578-ZE1-000     | SPACER, CONTROL LEVER           | 1             |                       |
| 010        | 16580-ZL8-000     | BASE COMP., CONTROL (###)       | 1             |                       |
| <u>Ref</u> | <u>Partnumber</u> | <u>Description</u>              | <u>GC160A</u> | <u>Serial Numbers</u> |
| 011        | 16584-883-300     | SPRING, CONTROL ADJUSTING       | 1             |                       |
| 012        | 16611-ZL8-000     | ROD, CHOKE CONTROL              | 1             |                       |
| 013        | 16613-893-000     | GROMMET, CHOKE ROD              | 1             |                       |
| 014        | 16631-ZL8-850     | LEVER, STOP (###)               | 1             |                       |
| 015        | 19612-Z0L-000     | PLATE, SIDE                     | 1             |                       |
| 015        | 19612-Z0L-000     | PLATE, SIDE                     | 1             |                       |
| 016        | 35120-ZL8-003     | SWITCH ASSY., ENGINE STOP (N.O) | 1             |                       |
| 017        | 90013-883-000     | BOLT, FLANGE, 6X12 (CT200)      | 1             |                       |
| 018        | 90014-952-000     | BOLT, FLANGE, 6X14 (CT200)      | 2             |                       |
| 019        | 90015-ZE5-010     | BOLT, GOVERNOR ARM              | 1             |                       |
| 020        | 90031-ZL8-850     | SCREW, ADJUST                   | 1             |                       |
| 021        | 90114-SA0-000     | NUT, SELF-LOCK, 6MM             | 1             |                       |
| 022        | 90563-355-000     | WASHER, WHEEL, 6MM              | 1             |                       |
| 023        | 93892-0401200     | SCREW-WASHER, 4X12              | 1             |                       |
| 024        | 94050-06000       | NUT, FLANGE, 6MM                | 1             |                       |
| 025        | 94103-04000       | WASHER, PLAIN, 4MM              | 1             |                       |

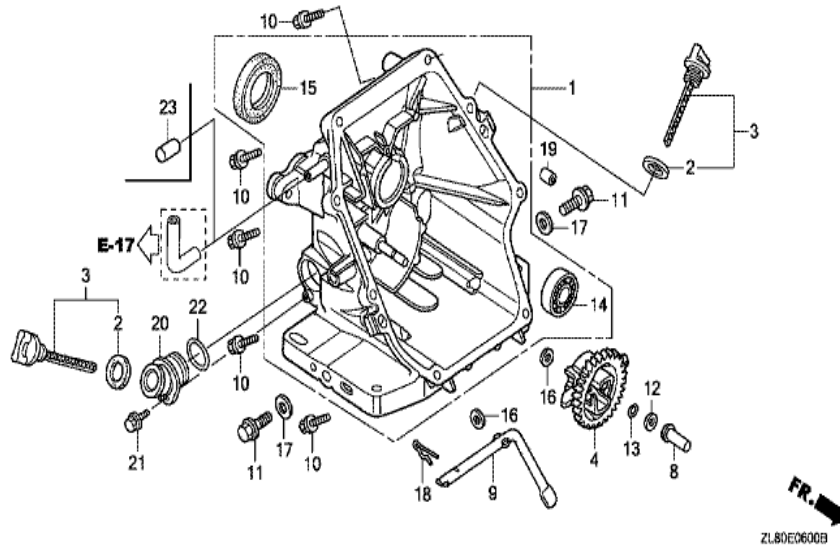


ZL80E2800L

| Ref | Partnumber    | Description                             | GC160A | Serial Numbers |
|-----|---------------|---|--------|----------------|
| 001 | 87101-ZL8-010 | EMBLEM (GC160 5.0)                      | 1      | 1805239        |
| 001 | 87101-ZL8-010 | EMBLEM (GC160 5.0)                      | 1      |                |
| 003 | 87501-ZL8-000 | MARK, ENGINE SWITCH INDICATION          | 1      |                |
| 006 | 87528-ZL8-000 | MARK, CHOKE                             | 1      |                |
| 007 | 87530-ZL8-820 | MARK, OIL ALERT (FRENCH)                | 1      |                |
| 007 | 87530-ZL8-820 | MARK, OIL ALERT (FRENCH)                | 1      |                |
| 007 | 87530-ZL8-850 | MARK, OIL ALERT (ENGLISH)               | 1      |                |
| 007 | 87530-ZL8-850 | MARK, OIL ALERT (ENGLISH)               | 1      |                |
| 015 | 87114-ZH7-821 | LABEL, WARNING (NOT CERTIFIED FOR SALE) | 1      | 1142746        |
| 015 | 87114-ZH7-821 | LABEL, WARNING (NOT CERTIFIED FOR SALE) | 1      | 3325758        |

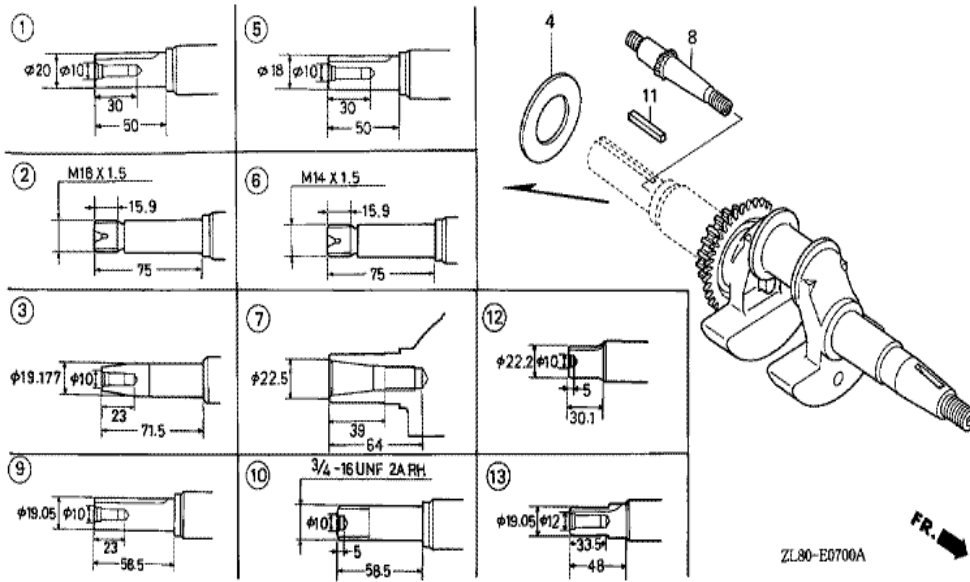


| <u>Ref</u> | <u>Partnumber</u> | <u>Description</u>         | <u>GC160A</u> | <u>Serial Numbers</u> |
|------------|-------------------|----------------------------|---------------|-----------------------|
| 003        | 12311-ZL8-D00     | COVER, HEAD                | 1             | 1122154               |
| 003        | 12311-ZL8-D00     | COVER, HEAD                | 1             |                       |
| 003        | 12311-ZL8-D00     | COVER, HEAD                | 1             |                       |
| 004        | 12355-ZL8-000     | COVER COMP., BREATHER      | 1             |                       |
| 005        | 90013-883-000     | BOLT, FLANGE, 6X12 (CT200) | 4             |                       |
| 006        | 90014-952-000     | BOLT, FLANGE, 6X14 (CT200) | 1             |                       |
| 007        | 91201-ZL8-003     | OIL SEAL, 25.4X62X6        | 1             |                       |
| 008        | 98079-56846       | PLUG, SPARK (BPR6ES) (NGK) | 1             |                       |
| 010        | 12000-ZL8-425     | BARREL ASSY., CYLINDER     | 1             |                       |
| 011        | 12209-ZM0-003     | SEAL, VALVE STEM           | 1             |                       |
| 011        | 12209-ZM0-003     | SEAL, VALVE STEM           | 1             |                       |
| 012        | 14711-ZOJ-000     | VALVE, IN. (ROCKNEL)       | 1             |                       |
| 012        | 14711-ZOJ-000     | VALVE, IN. (ROCKNEL)       | 1             |                       |
| <u>Ref</u> | <u>Partnumber</u> | <u>Description</u>         | <u>GC160A</u> | <u>Serial Numbers</u> |
| 013        | 14721-ZL8-000     | VALVE, EX. (L8E)           | 1             |                       |
| 013        | 14721-ZL8-000     | VALVE, EX. (L8E)           | 1             |                       |
| 014        | 14751-ZL8-000     | SPRING, VALVE              | 2             |                       |
| 015        | 14771-ZOJ-000     | RETAINER, VALVE SPRING     | 2             |                       |
| 015        | 14771-ZOJ-000     | RETAINER, VALVE SPRING     | 2             |                       |

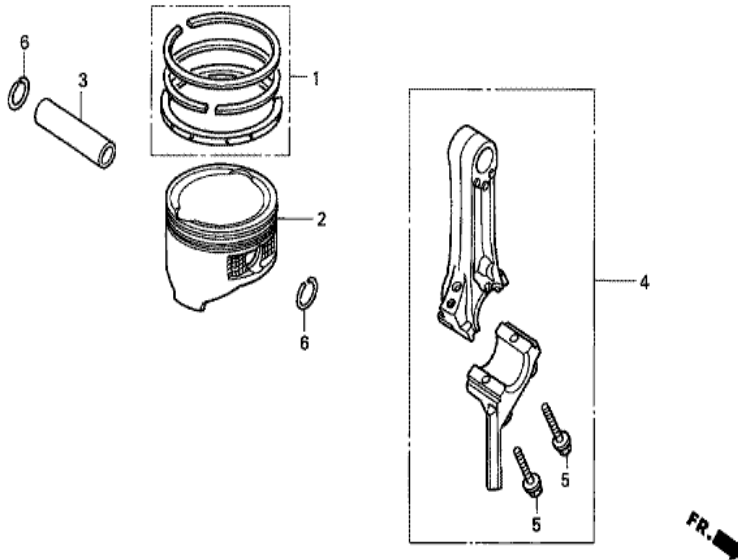


ZL80E0600B

| <u>Ref</u> | <u>Partnumber</u> | <u>Description</u>          | <u>GC160A</u> | <u>Serial Numbers</u> |
|------------|-------------------|-----------------------------|---------------|-----------------------|
| 001        | 11300-ZL8-406     | COVER ASSY., CRANKCASE      | 1             |                       |
| 001        | 11300-ZL8-406     | COVER ASSY., CRANKCASE      | 1             |                       |
| 002        | 15625-ZE1-003     | PACKING, OIL FILLER CAP     | 2             |                       |
| 002        | 15625-ZE1-003     | PACKING, OIL FILLER CAP     | 1             |                       |
| 003        | 15650-ZL8-013     | GAUGE ASSY., OIL LEVEL      | 1             | 1805026               |
| 003        | 15650-ZL8-013     | GAUGE ASSY., OIL LEVEL      | 1             |                       |
| 004        | 16510-ZL8-000     | GOVERNOR ASSY.              | 1             |                       |
| 008        | 16531-ZE1-000     | SLIDER, GOVERNOR            | 1             |                       |
| 009        | 16541-ZL8-000     | SHAFT, GOVERNOR ARM         | 1             |                       |
| 009        | 16541-ZL8-000     | SHAFT, GOVERNOR ARM         | 1             |                       |
| 010        | 90121-952-000     | BOLT, FLANGE, 6X25 (CT200)  | 8             |                       |
| 011        | 90131-883-000     | BOLT, DRAIN PLUG, 12X15     | 1             | 1398445               |
| 011        | 90131-883-000     | BOLT, DRAIN PLUG, 12X15     | 2             |                       |
| <u>Ref</u> | <u>Partnumber</u> | <u>Description</u>          | <u>GC160A</u> | <u>Serial Numbers</u> |
| 012        | 90451-ZE1-000     | WASHER, THRUST, 6MM         | 1             |                       |
| 013        | 90602-ZE1-000     | CLIP, GOVERNOR HOLDER       | 1             |                       |
| 014        | 91001-ZL8-003     | BEARING, RADIAL BALL, 62/28 | 1             |                       |
| 015        | 91202-ZL8-003     | OIL SEAL, 28X41.25X6        | 1             |                       |
| 016        | 94101-06800       | WASHER, PLAIN, 6MM          | 2             |                       |
| 017        | 94109-12000       | WASHER, DRAIN PLUG, 12MM    | 1             | 1398445               |
| 017        | 94109-12000       | WASHER, DRAIN PLUG, 12MM    | 2             |                       |
| 018        | 94251-08000       | PIN, LOCK, 8MM              | 1             |                       |
| 019        | 94301-08200       | DOWEL PIN, 8X20             | 2             |                       |
| 019        | 94301-08200       | DOWEL PIN, 8X20             | 2             |                       |



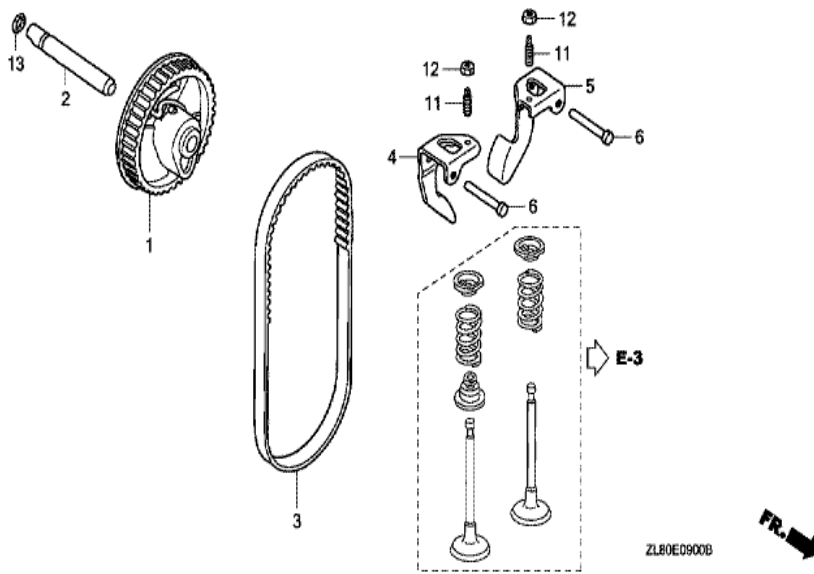
| Ref | Partnumber    | Description      | GC160A | Serial Numbers |
|-----|---------------|------------------|--------|----------------|
| 003 | 13310-ZL8-671 | CRANKSHAFT COMP. | 1      |                |
| 004 | 90402-ZL8-000 | WASHER, THRUST   | 1      |                |



ZL80-- E0800

| <u>Ref</u> | <u>Partnumber</u> | <u>Description</u>                | <u>GC160A</u> | <u>Serial Numbers</u> |
|------------|-------------------|-----------------------------------|---------------|-----------------------|
| 001        | 13010-ZOL-003     | RING SET, PISTON (RIKEN)          | 1             | 1152017               |
| 001        | 13010-ZOL-003     | RING SET, PISTON (RIKEN)          | 1             | 1029007 3598775       |
| 001        | 13010-ZOL-004     | RING SET, PISTON (STD.) (TEIKOKU) | 1             | 1029007 3598775       |
| 001        | 13010-ZOL-004     | RING SET, PISTON (STD.) (TEIKOKU) | 1             | 1029007 3598775       |
| 001        | 13010-ZOL-014     | RING SET, PISTON (STD.) (TEIKOKU) | 1             | 3598776               |
| 001        | 13010-ZOL-014     | RING SET, PISTON (STD.) (TEIKOKU) | 1             | 3598776               |
| 001        | 13010-ZL8-003     | RING SET, PISTON (RIKEN)          | 1             | 1029006               |
| 001        | 13010-ZL8-003     | RING SET, PISTON (RIKEN)          | 1             | 1029006               |
| 001        | 13010-ZL8-024     | RING SET, PISTON (TEIKOKU)        | 1             |                       |
| 001        | 13010-ZL8-024     | RING SET, PISTON (TEIKOKU)        | 1             | 1029006               |
| 002        | 13101-Z2A-000     | PISTON                            | 1             | 1152017               |
| 002        | 13101-Z2A-000     | PISTON                            | 1             | 1029007 3598775       |
| 002        | 13101-Z2A-010     | PISTON                            | 1             | 3598776               |
| <u>Ref</u> | <u>Partnumber</u> | <u>Description</u>                | <u>GC160A</u> | <u>Serial Numbers</u> |
| 002        | 13101-Z2A-010     | PISTON                            | 1             | 3598776               |
| 002        | 13101-ZL8-000     | PISTON                            | 1             | 1102445               |
| 002        | 13101-ZL8-000     | PISTON                            | 1             |                       |
| 002        | 13101-ZL8-000     | PISTON                            | 1             | 1029006               |
| 003        | 13111-ZE0-000     | PIN, PISTON                       | 1             |                       |
| 003        | 13111-ZE0-000     | PIN, PISTON                       | 1             |                       |
| 004        | 13200-ZL8-000     | ROD ASSY., CONNECTING             | 1             |                       |
| 005        | 90001-ZE1-000     | BOLT, CONNECTING ROD              | 2             |                       |
| 006        | 90551-ZE0-000     | CLIP, PISTON PIN, 13MM            | 2             |                       |





| Ref | Partnumber    | Description                | GC160A | Serial Numbers |
|-----|---------------|----------------------------|--------|----------------|
| 001 | 14320-ZL8-010 | PULLEY COMP., CAMSHAFT     | 1      |                |
| 002 | 14324-ZL8-000 | SHAFT, CAM PULLEY          | 1      |                |
| 002 | 14324-ZL8-000 | SHAFT, CAM PULLEY          | 1      |                |
| 003 | 14400-Z0J-014 | BELT, TIMING (84HU7 G-200) | 1      |                |
| 003 | 14400-Z0J-014 | BELT, TIMING (84HU7 G-200) | 1      |                |
| 004 | 14431-Z0J-000 | ARM, IN. VALVE ROCKER      | 1      |                |
| 004 | 14431-Z0J-000 | ARM, IN. VALVE ROCKER      | 1      |                |
| 005 | 14441-Z0J-000 | ARM, EX. VALVE ROCKER      | 1      |                |
| 005 | 14441-Z0J-000 | ARM, EX. VALVE ROCKER      | 1      |                |
| 006 | 14461-ZL8-000 | SHAFT, ROCKER ARM          | 2      |                |
| 011 | 90012-333-000 | SCREW, TAPPET ADJUSTING    | 2      |                |
| 012 | 90206-001-000 | NUT, TAPPET ADJUSTING      | 2      |                |
| 013 | 91301-ZM0-V31 | O-RING, 6.8X1.9 (ARAI)     | 1      |                |