

ZL80-E1100



| Ref | Partnumber      | Description                  | GC135 | Serial Numbers |
|-----|-----------------|------------------------------|-------|----------------|
| 001 | 28400-ZL8-003ZA | STARTER ASSY., RECOIL *NH1 * | 1     | 1210407        |
| 001 | 28400-ZL8-003ZA | STARTER ASSY., RECOIL *NH1 * | 1     | 1077762        |
| 001 | 28400-ZL8-003ZA | STARTER ASSY., RECOIL *NH1 * | 1     | 1077762        |
| 001 | 28400-ZL8-013ZA | STARTER ASSY., RECOIL *NH1 * | 1     | 1210408        |
| 001 | 28400-ZL8-013ZA | STARTER ASSY., RECOIL *NH1 * | 1     |                |
| 001 | 28400-ZL8-013ZA | STARTER ASSY., RECOIL *NH1 * | 1     | 1077763        |
| 002 | 28461-ZL8-003   | GRIP, STARTER                | 1     |                |
| 003 | 28462-ZL8-003   | ROPE, RECOIL STARTER         | 1     |                |



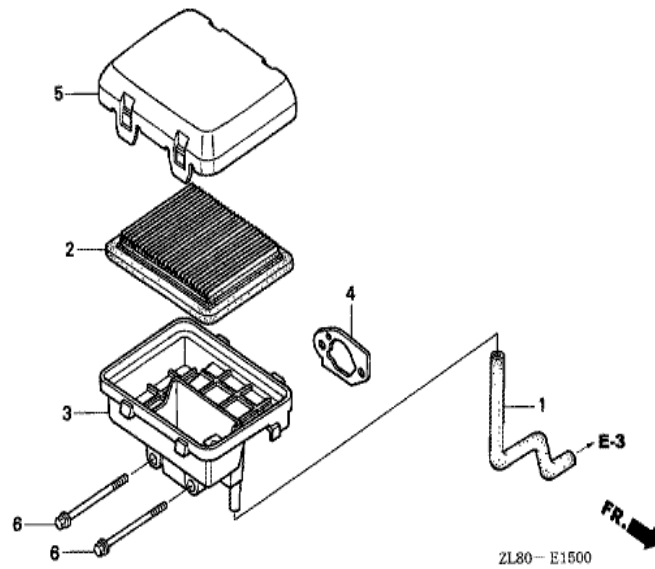
ZL80E1200D

| Ref | Partnumber      | Description           | GC135 | Serial Numbers |
|-----|-----------------|-----------------------|-------|----------------|
| 001 | 19611-ZL9-000ZA | COVER, FAN *NH1 *     | 1     |                |
| 001 | 19611-ZL9-000ZA | COVER, FAN *NH1 *     | 1     |                |
| 002 | 90041-ZL9-000   | BOLT, STUD (H=35.5MM) | 2     |                |
| 002 | 90041-ZL9-000   | BOLT, STUD (H=35.5MM) | 2     |                |
| 003 | 90201-ZM0-000   | NUT, FLANGE, 6MM      | 3     |                |
| 003 | 90201-ZM0-000   | NUT, FLANGE, 6MM      | 3     |                |
| 004 | 19619-ZL8-300   | COLLAR, FAN COVER     | 3     |                |
| 005 | 90041-ZL9-000   | BOLT, STUD (H=35.5MM) | 1     |                |

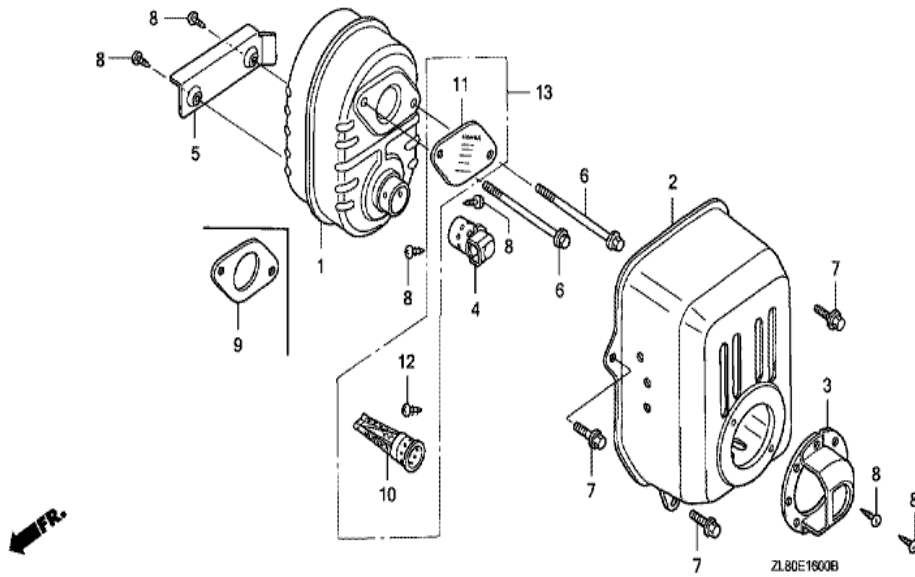


| Ref | Partnumber    | Description                | GC135 | Serial Numbers  |
|-----|---------------|----------------------------|-------|-----------------|
| 001 | 16010-883-015 | PACKING SET                | 1     |                 |
| 002 | 16013-ZL1-003 | FLOAT SET                  | 1     |                 |
| 003 | 16015-ZL8-003 | CHAMBER SET, FLOAT         | 1     |                 |
| 004 | 16016-892-005 | SCREW SET A                | 1     | BB61A C         |
| 004 | 16016-892-005 | SCREW SET A                | 1     | BB63A B         |
| 005 | 16024-124-760 | SCREW SET, DRAIN           | 1     |                 |
| 006 | 16028-ZE0-005 | SCREW SET                  | 1     |                 |
| 007 | 16029-ZG0-901 | SCREW SET (THROTTLE STOP)  | 1     |                 |
| 008 | 16100-ZL9-003 | CARBURETOR ASSY. (BB63A A) | 1     | 1054664         |
| 008 | 16100-ZL9-003 | CARBURETOR ASSY. (BB63A A) | 1     | 1054664         |
| 008 | 16100-ZL9-003 | CARBURETOR ASSY. (BB63A A) | 1     | 1054664         |
| 008 | 16100-ZL9-013 | CARBURETOR ASSY. (BB63A B) | 1     | 1054665 1122153 |
| 008 | 16100-ZL9-013 | CARBURETOR ASSY. (BB63A B) | 1     | 1054665 1122153 |

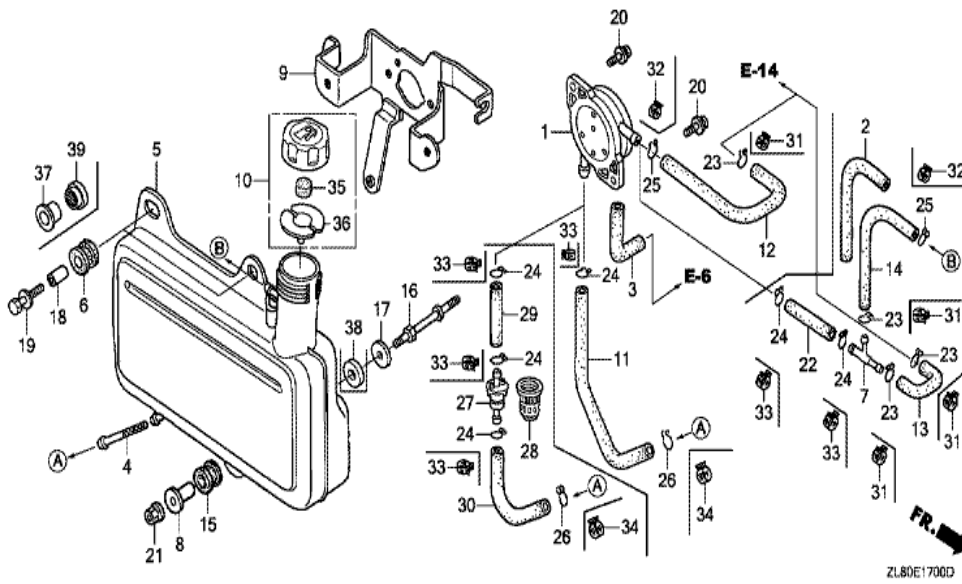
| <u>Ref</u> | <u>Partnumber</u> | <u>Description</u>                     | <u>GC135</u> | <u>Serial Numbers</u> |
|------------|-------------------|--|--------------|-----------------------|
| 008        | 16100-ZL9-013     | CARBURETOR ASSY. (BB63A B)             | 1            | 1054665 1122153       |
| 008        | 16100-ZL9-802     | CARBURETOR ASSY. (BB63B B)             | 1            | 1122154               |
| 008        | 16100-ZL9-802     | CARBURETOR ASSY. (BB63B B)             | 1            | 1122154               |
| 008        | 16100-ZL9-802     | CARBURETOR ASSY. (BB63B B)             | 1            | 1122154               |
| 009        | 16155-ZL8-003     | VALVE COMP., FLOAT                     | 1            |                       |
| 010        | 16166-ZL9-003     | NOZZLE, MAIN                           | 1            |                       |
| 010        | 16166-ZL9-003     | NOZZLE, MAIN                           | 1            |                       |
| 010        | 16166-ZL9-003     | NOZZLE, MAIN                           | 1            |                       |
| 011        | 16211-ZL8-000     | INSULATOR, CARBURETOR                  | 1            |                       |
| 011        | 16211-ZL8-000     | INSULATOR, CARBURETOR                  | 1            |                       |
| 012        | 16212-ZL8-000     | PACKING, INSULATOR                     | 1            |                       |
| 013        | 16221-883-800     | PACKING, CARBURETOR                    | 2            |                       |
| 014        | 16228-ZL8-000     | PACKING, CARBURETOR                    | 1            |                       |
| 015        | 19650-ZL9-000     | GUIDE COMP., AIR                       | 1            | 1203565               |
| 015        | 19650-ZL9-000     | GUIDE COMP., AIR                       | 1            |                       |
| 016        | 93500-050061H     | SCREW, PAN, 5X6                        | 1            |                       |
| 017        | 95002-02650       | CLIP, TUBE (B6.5)                      | 1            |                       |
| 018        | 95003-0701531     | TUBE, VINYL, 4X7X150 (95003-07001-60M) | 1            |                       |
| 019        | 99101-1240550     | JET, MAIN, #55                         | (1)          |                       |
| 019        | 99101-1240580     | JET, MAIN, #58                         | (1)          |                       |
| 019        | 99101-1240580     | JET, MAIN, #58                         | (1)          |                       |
| 019        | 99101-1240600     | JET, MAIN, #60                         | (1)          |                       |
| 019        | 99101-1240600     | JET, MAIN, #60                         | 1            |                       |
| 022        | 16016-ZG0-W00     | SCREW SET                              | 1            |                       |
| 022        | 16016-ZG0-W00     | SCREW SET                              | 1            | BB63B B               |



| Ref | Partnumber    | Description                 | GC135 | Serial Numbers |
|-----|---------------|-----------------------------|-------|----------------|
| 001 | 15721-ZL9-000 | TUBE, BREATHER              | 1     |                |
| 001 | 15721-ZL9-000 | TUBE, BREATHER              | 1     |                |
| 002 | 17211-ZL8-000 | ELEMENT, AIR CLEANER        | 1     |                |
| 003 | 17220-ZL8-000 | CASE COMP., AIR CLEANER     | 1     |                |
| 004 | 17228-ZL8-000 | PACKING, AIR CLEANER        | 1     |                |
| 004 | 17228-ZL8-000 | PACKING, AIR CLEANER        | 1     |                |
| 005 | 17231-ZL8-000 | COVER, AIR CLEANER          | 1     |                |
| 005 | 17231-ZL8-000 | COVER, AIR CLEANER          | 1     |                |
| 005 | 17231-ZL8-000 | COVER, AIR CLEANER          | 1     |                |
| 006 | 90003-ZL8-000 | BOLT, FLANGE, 6X112 (CT200) | 2     |                |
| 006 | 90003-ZL8-000 | BOLT, FLANGE, 6X112 (CT200) | 2     |                |



| Ref | Partnumber    | Description                | GC135 | Serial Numbers |
|-----|---------------|----------------------------|-------|----------------|
| 001 | 18310-ZL9-000 | MUFFLER COMP.              | 1     | 1199934        |
| 001 | 18310-ZL9-000 | MUFFLER COMP.              | 1     |                |
| 001 | 18310-ZL9-000 | MUFFLER COMP.              | 1     |                |
| 002 | 18321-ZL8-000 | PROTECTOR, MUFFLER         | 1     |                |
| 002 | 18321-ZL8-000 | PROTECTOR, MUFFLER         | 1     |                |
| 005 | 19664-ZL8-000 | SHROUD, MUFFLER            | 1     |                |
| 006 | 90004-ZL8-000 | BOLT, FLANGE, 6X79 (CT200) | 2     |                |
| 007 | 90013-883-000 | BOLT, FLANGE, 6X12 (CT200) | 3     |                |
| 008 | 90055-ZE1-000 | SCREW, TAPPING, 4X6        | 2     |                |
| 009 | 18381-ZL8-305 | GASKET, MUFFLER            | (1)   |                |



ZL80E1700D

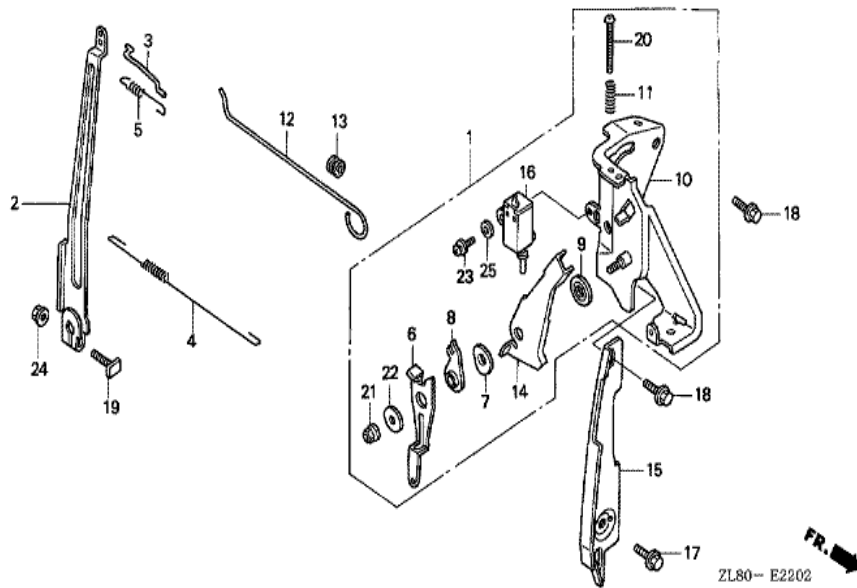
| Ref | Partnumber    | Description               | GC135 | Serial Numbers |
|-----|---------------|---------------------------|-------|----------------|
| 001 | 16700-ZL8-003 | PUMP ASSY., FUEL          | 1     | 1825178        |
| 001 | 16700-ZL8-003 | PUMP ASSY., FUEL          | 1     | 1257082        |
| 001 | 16700-ZL8-013 | PUMP ASSY., FUEL          | 1     | 1174757        |
| 001 | 16700-ZL8-013 | PUMP ASSY., FUEL          | 1     | 1257083        |
| 003 | 16882-ZL9-000 | TUBE, DIAPHRAGM           | 1     |                |
| 003 | 16882-ZL9-000 | TUBE, DIAPHRAGM           | 1     |                |
| 004 | 16952-ZA8-800 | STRAINER, FUEL            | 1     |                |
| 004 | 16952-ZA8-800 | STRAINER, FUEL            | 1     |                |
| 005 | 17511-ZL9-000 | TANK, FUEL                | 1     |                |
| 005 | 17511-ZL9-000 | TANK, FUEL                | 1     |                |
| 005 | 17511-ZL9-000 | TANK, FUEL                | 1     |                |
| 006 | 17516-ZV0-000 | RUBBER B, TANK MOUNTING   | 2     |                |
| 008 | 17535-166-000 | COLLAR, FR. COVER SETTING | 1     |                |

| <u>Ref</u> | <u>Partnumber</u> | <u>Description</u>            | <u>GC135</u> | <u>Serial Numbers</u> |
|------------|-------------------|-------------------------------|--------------|-----------------------|
| 009        | 17561-ZL9-000     | STAY A, FUEL TANK             | 1            |                       |
| 009        | 17561-ZL9-000     | STAY A, FUEL TANK             | 1            |                       |
| 010        | 17620-ZL8-003     | CAP ASSY., FUEL TANK          | 1            | 1709716               |
| 010        | 17620-ZL8-003     | CAP ASSY., FUEL TANK          | 1            | 1176146               |
| 010        | 17620-ZL8-013     | CAP ASSY., FUEL TANK          | 1            | 1709717               |
| 010        | 17620-ZL8-013     | CAP ASSY., FUEL TANK          | 1            | 1176147               |
| 011        | 17701-ZL8-000     | TUBE, FUEL TANK               | 1            |                       |
| 011        | 17701-ZL8-000     | TUBE, FUEL TANK               | 1            |                       |
| 011        | 17701-ZL8-000     | TUBE, FUEL TANK               | 1            |                       |
| 012        | 17702-ZL8-000     | TUBE, FUEL                    | 1            |                       |
| 012        | 17702-ZL8-000     | TUBE, FUEL                    | 1            |                       |
| 012        | 17702-ZL8-000     | TUBE, FUEL                    | 1            |                       |
| 015        | 80103-MG2-000     | CUSHION, RR. FENDER           | 1            |                       |
| 016        | 90041-ZL8-000     | BOLT, FUEL TANK STUD (H=30MM) | 1            |                       |
| 017        | 90473-896-000     | WASHER, 6MM                   | 1            |                       |
| 018        | 90501-KA2-640     | COLLAR, 14X6.1                | 2            |                       |
| 019        | 93404-0602500     | BOLT-WASHER, 6X25             | 2            |                       |
| 020        | 93894-0501400     | SCREW-WASHER, 5X14            | 2            |                       |
| 021        | 94050-06000       | NUT, FLANGE, 6MM              | 1            |                       |
| 023        | 95002-02080       | CLIP, TUBE (B8)               | 1            |                       |
| 024        | 95002-02100       | CLIP, TUBE (B10)              | 1            |                       |
| 025        | 95002-50000       | CLIP, TUBE (C9)               | 1            |                       |
| 026        | 95002-70000       | CLIP, TUBE (C11)              | 1            |                       |
| 035        | 17622-ZL8-003     | SPONGE, FUEL CAP BREATHER     | 1            | 1102861               |
| 035        | 17622-ZL8-003     | SPONGE, FUEL CAP BREATHER     | 1            |                       |
| 036        | 17624-ZL8-003     | PACKING, FUEL CAP             | 1            |                       |
| 036        | 17624-ZL8-003     | PACKING, FUEL CAP             | 1            |                       |

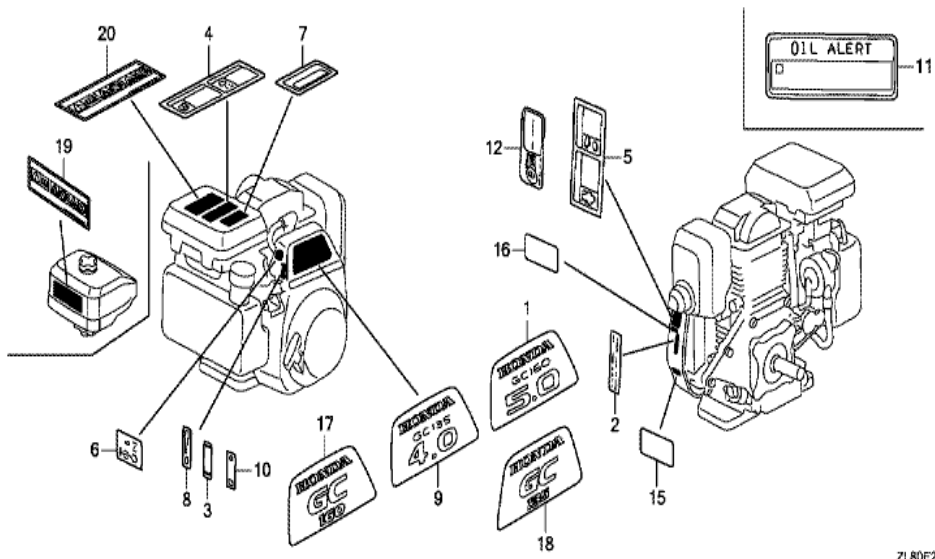




| Ref | Partnumber    | Description                             | GC135 | Serial Numbers |
|-----|---------------|---|-------|----------------|
| 001 | 13331-357-000 | KEY, SPECIAL WOODRUFF, 25X18            | 1     |                |
| 002 | 30500-ZL8-004 | COIL ASSY., IGNITION (TEC) (USE FOR F/W | 1     | 1265272        |
| 002 | 30500-ZL8-004 | COIL ASSY., IGNITION (TEC) (USE FOR F/W | 1     |                |
| 004 | 31110-ZL9-003 | FLYWHEEL COMP. (TEC) (USE FOR IGN. COIL | 1     |                |
| 004 | 31110-ZL9-003 | FLYWHEEL COMP. (TEC) (USE FOR IGN. COIL | 1     |                |
| 005 | 32195-ZL8-000 | CORD, STOP SWITCH                       | 1     |                |
| 005 | 32195-ZL8-000 | CORD, STOP SWITCH                       | 1     |                |
| 006 | 36103-ZE1-000 | HOLDER, STOP SWITCH CORD                | 1     |                |
| 007 | 90022-888-010 | BOLT, FLANGE, 6X20 (CT200)              | 1     |                |
| 008 | 90201-878-003 | NUT, SPECIAL, 14MM                      | 1     |                |

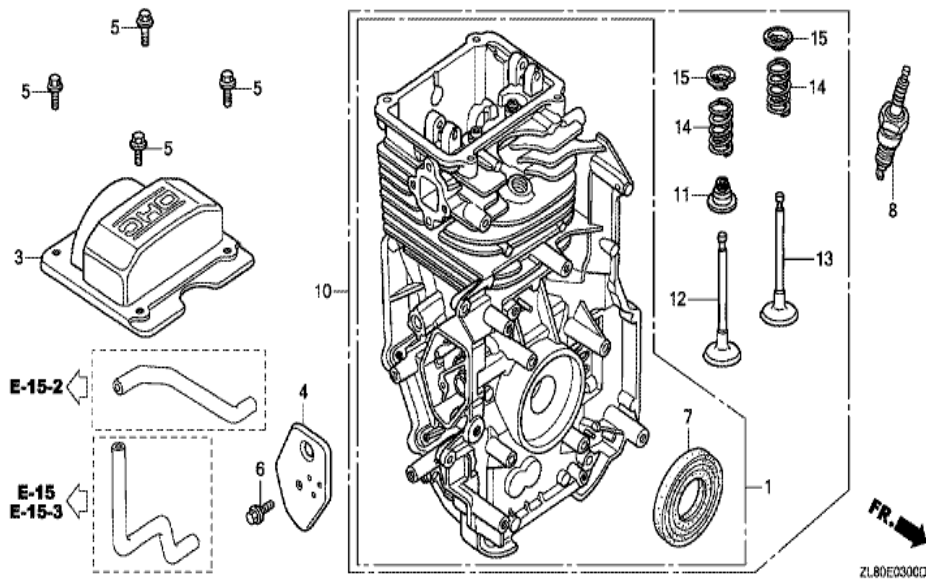


| <u>Ref</u> | <u>Partnumber</u> | <u>Description</u>              | <u>GC135</u> | <u>Serial Numbers</u> |
|------------|-------------------|---------------------------------|--------------|-----------------------|
| 001        | 16500-ZL8-850     | CONTROL ASSY.                   | 1            |                       |
| 002        | 16551-ZL9-000     | ARM, GOVERNOR                   | 1            |                       |
| 002        | 16551-ZL9-000     | ARM, GOVERNOR                   | 1            |                       |
| 003        | 16555-ZL8-000     | ROD, GOVERNOR                   | 1            |                       |
| 004        | 16561-ZL8-800     | SPRING, GOVERNOR                | 1            |                       |
| 005        | 16562-ZL8-000     | SPRING, THROTTLE RETURN         | 1            | 1030440               |
| 005        | 16562-ZL8-800     | SPRING, THROTTLE RETURN         | 1            |                       |
| 005        | 16562-ZL8-800     | SPRING, THROTTLE RETURN         | 1            | 1030441               |
| 006        | 16571-ZL8-850     | LEVER, CONTROL                  | 1            |                       |
| 007        | 16574-ZE1-000     | SPRING, LEVER                   | 1            |                       |
| 008        | 16575-ZL8-000     | WASHER, CONTROL LEVER (###)     | 1            |                       |
| 009        | 16578-ZE1-000     | SPACER, CONTROL LEVER           | 1            |                       |
| 010        | 16580-ZL8-000     | BASE COMP., CONTROL (###)       | 1            |                       |
| <u>Ref</u> | <u>Partnumber</u> | <u>Description</u>              | <u>GC135</u> | <u>Serial Numbers</u> |
| 011        | 16584-883-300     | SPRING, CONTROL ADJUSTING       | 1            |                       |
| 012        | 16611-ZL8-000     | ROD, CHOKE CONTROL              | 1            |                       |
| 013        | 16613-893-000     | GROMMET, CHOKE ROD              | 1            |                       |
| 014        | 16631-ZL8-850     | LEVER, STOP (###)               | 1            |                       |
| 015        | 19612-ZL8-000     | PLATE, SIDE                     | 1            |                       |
| 015        | 19612-ZL8-000     | PLATE, SIDE                     | 1            |                       |
| 016        | 35120-ZL8-003     | SWITCH ASSY., ENGINE STOP (N.O) | 1            |                       |
| 017        | 90013-883-000     | BOLT, FLANGE, 6X12 (CT200)      | 1            |                       |
| 018        | 90014-952-000     | BOLT, FLANGE, 6X14 (CT200)      | 2            |                       |
| 019        | 90015-ZE5-010     | BOLT, GOVERNOR ARM              | 1            |                       |
| 020        | 90031-ZL8-850     | SCREW, ADJUST                   | 1            |                       |
| 021        | 90114-SA0-000     | NUT, SELF-LOCK, 6MM             | 1            |                       |
| 022        | 90563-355-000     | WASHER, WHEEL, 6MM              | 1            |                       |
| 023        | 93892-0401200     | SCREW-WASHER, 4X12              | 1            |                       |
| 024        | 94050-06000       | NUT, FLANGE, 6MM                | 1            |                       |
| 025        | 94103-04000       | WASHER, PLAIN, 4MM              | 1            |                       |

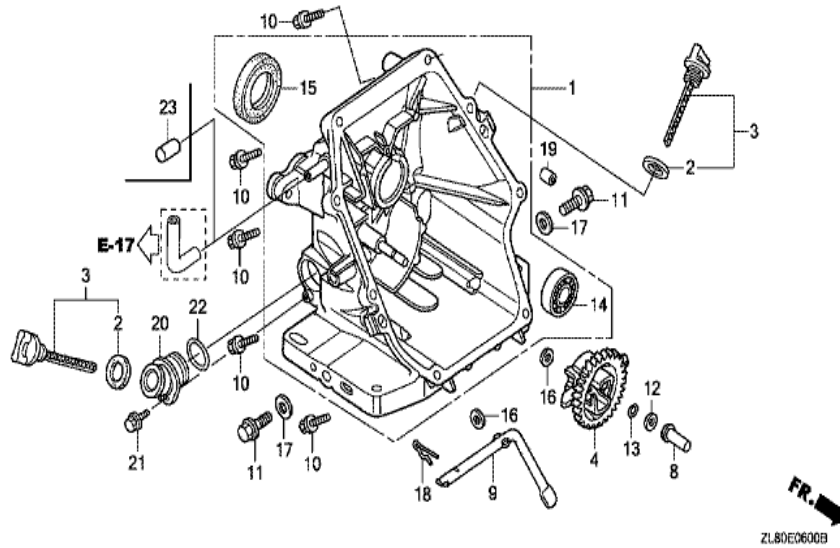


ZL80E2800L

| Ref | Partnumber    | Description                    | GC135 | Serial Numbers |
|-----|---------------|--------------------------------|-------|----------------|
| 003 | 87501-ZL8-000 | MARK, ENGINE SWITCH INDICATION | 1     |                |
| 006 | 87528-ZL8-000 | MARK, CHOKE                    | 1     |                |
| 009 | 87101-ZL9-000 | EMBLEM (GC135 4.0)             | 1     |                |



| <u>Ref</u> | <u>Partnumber</u> | <u>Description</u>         | <u>GC135</u> | <u>Serial Numbers</u> |
|------------|-------------------|----------------------------|--------------|-----------------------|
| 001        | 12000-ZL9-000     | BARREL ASSY., CYLINDER     | 1            | 1075749               |
| 001        | 12000-ZL9-000     | BARREL ASSY., CYLINDER     | 1            | 1075749               |
| 001        | 12000-ZL9-000     | BARREL ASSY., CYLINDER     | 1            | 1075749               |
| 001        | 12000-ZL9-405     | BARREL ASSY., CYLINDER     | 1            | 1075750               |
| 001        | 12000-ZL9-405     | BARREL ASSY., CYLINDER     | 1            | 1075750               |
| 001        | 12000-ZL9-405     | BARREL ASSY., CYLINDER     | 1            | 1075750               |
| 003        | 12311-ZL8-000     | COVER, HEAD                | 1            | 1122153               |
| 003        | 12311-ZL8-000     | COVER, HEAD                | 1            | 1122153               |
| 003        | 12311-ZL8-000     | COVER, HEAD                | 1            | 1122153               |
| 003        | 12311-ZL8-D00     | COVER, HEAD                | 1            | 1122154               |
| 003        | 12311-ZL8-D00     | COVER, HEAD                | 1            | 1122154               |
| 003        | 12311-ZL8-D00     | COVER, HEAD                | 1            | 1122154               |
| 004        | 12355-ZL8-000     | COVER COMP., BREATHER      | 1            |                       |
| <u>Ref</u> | <u>Partnumber</u> | <u>Description</u>         | <u>GC135</u> | <u>Serial Numbers</u> |
| 005        | 90013-883-000     | BOLT, FLANGE, 6X12 (CT200) | 4            |                       |
| 006        | 90014-952-000     | BOLT, FLANGE, 6X14 (CT200) | 1            |                       |
| 007        | 91201-ZL8-003     | OIL SEAL, 25.4X62X6        | 1            |                       |
| 008        | 98079-56846       | PLUG, SPARK (BPR6ES) (NGK) | 1            |                       |
| 012        | 14711-ZL8-000     | VALVE, IN. (TECHNOSTAR)    | 1            |                       |
| 012        | 14711-ZL8-000     | VALVE, IN. (TECHNOSTAR)    | 1            |                       |
| 013        | 14721-ZL8-000     | VALVE, EX. (L8E)           | 1            |                       |
| 013        | 14721-ZL8-000     | VALVE, EX. (L8E)           | 1            |                       |
| 014        | 14751-ZL8-000     | SPRING, VALVE              | 2            |                       |
| 015        | 14771-ZE1-000     | RETAINER, IN. VALVE SPRING | 2            |                       |
| 015        | 14771-ZE1-000     | RETAINER, IN. VALVE SPRING | 2            |                       |

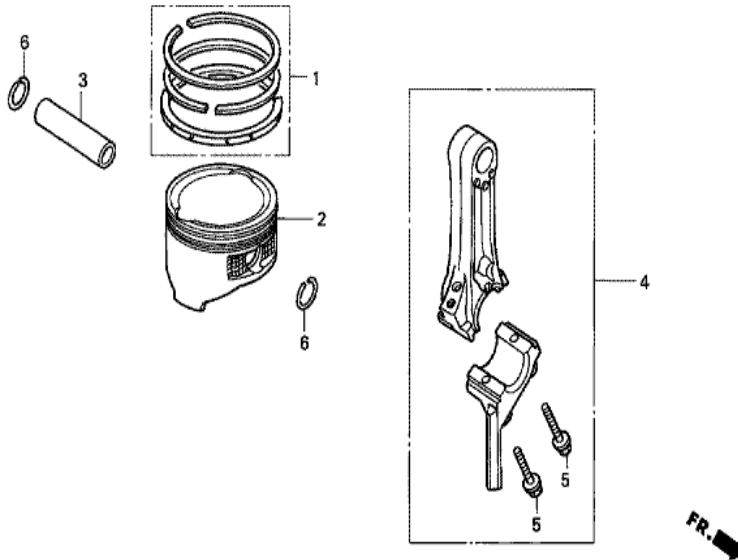


ZL80E0600B

| <u>Ref</u> | <u>Partnumber</u> | <u>Description</u>          | <u>GC135</u> | <u>Serial Numbers</u> |
|------------|-------------------|-----------------------------|--------------|-----------------------|
| 001        | 11300-ZL8-405     | COVER ASSY., CRANKCASE      | 1            |                       |
| 001        | 11300-ZL8-405     | COVER ASSY., CRANKCASE      | 1            |                       |
| 002        | 15625-ZE1-003     | PACKING, OIL FILLER CAP     | 2            |                       |
| 002        | 15625-ZE1-003     | PACKING, OIL FILLER CAP     | 1            |                       |
| 003        | 15650-ZL8-003     | GAUGE ASSY., OIL LEVEL      | 1            | 1805025               |
| 003        | 15650-ZL8-003     | GAUGE ASSY., OIL LEVEL      | 1            |                       |
| 004        | 16510-ZL8-000     | GOVERNOR ASSY.              | 1            |                       |
| 008        | 16531-ZE1-000     | SLIDER, GOVERNOR            | 1            |                       |
| 009        | 16541-ZL8-000     | SHAFT, GOVERNOR ARM         | 1            |                       |
| 009        | 16541-ZL8-000     | SHAFT, GOVERNOR ARM         | 1            |                       |
| 010        | 90121-952-000     | BOLT, FLANGE, 6X25 (CT200)  | 8            |                       |
| 011        | 90131-883-000     | BOLT, DRAIN PLUG, 12X15     | 1            | 1398445               |
| 011        | 90131-883-000     | BOLT, DRAIN PLUG, 12X15     | 2            |                       |
| <u>Ref</u> | <u>Partnumber</u> | <u>Description</u>          | <u>GC135</u> | <u>Serial Numbers</u> |
| 012        | 90451-ZE1-000     | WASHER, THRUST, 6MM         | 1            |                       |
| 013        | 90602-ZE1-000     | CLIP, GOVERNOR HOLDER       | 1            |                       |
| 014        | 91001-ZL8-003     | BEARING, RADIAL BALL, 62/28 | 1            |                       |
| 015        | 91202-ZL8-003     | OIL SEAL, 28X41.25X6        | 1            |                       |
| 016        | 94101-06800       | WASHER, PLAIN, 6MM          | 2            |                       |
| 017        | 94109-12000       | WASHER, DRAIN PLUG, 12MM    | 1            | 1398445               |
| 017        | 94109-12000       | WASHER, DRAIN PLUG, 12MM    | 2            |                       |
| 018        | 94251-08000       | PIN, LOCK, 8MM              | 1            |                       |
| 019        | 94301-08200       | DOWEL PIN, 8X20             | 2            |                       |
| 019        | 94301-08200       | DOWEL PIN, 8X20             | 2            |                       |

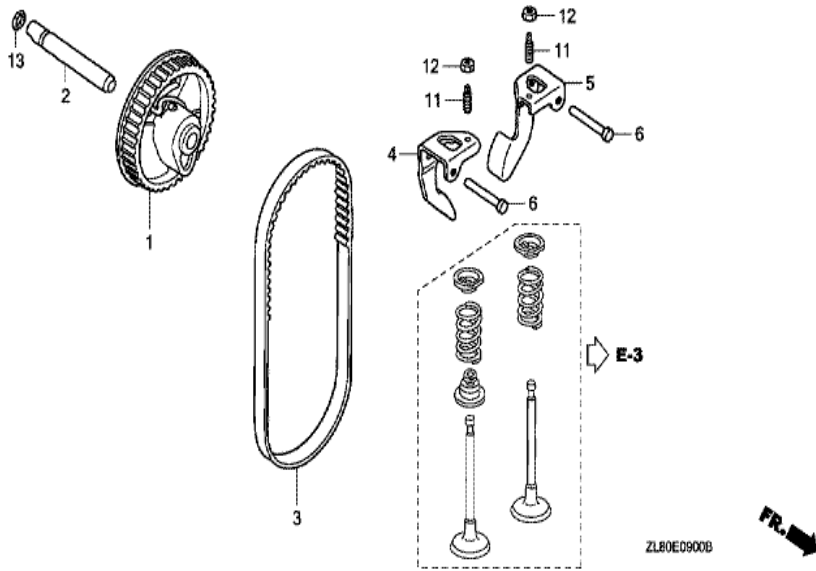


| Ref | Partnumber    | Description      | GC135 | Serial Numbers |
|-----|---------------|------------------|-------|----------------|
| 003 | 13310-ZL9-670 | CRANKSHAFT COMP. | 1     |                |
| 003 | 13310-ZL9-670 | CRANKSHAFT COMP. | 1     |                |
| 004 | 90402-ZL8-000 | WASHER, THRUST   | 1     |                |



ZL80-- E0800

| <u>Ref</u> | <u>Partnumber</u> | <u>Description</u>         | <u>GC135</u> | <u>Serial Numbers</u> |
|------------|-------------------|----------------------------|--------------|-----------------------|
| 001        | 13010-ZL8-003     | RING SET, PISTON (RIKEN)   | 1            | 1029006               |
| 001        | 13010-ZL8-003     | RING SET, PISTON (RIKEN)   | 1            |                       |
| 001        | 13010-ZL8-004     | RING SET, PISTON (TEIKOKU) | 1            |                       |
| 001        | 13010-ZL8-004     | RING SET, PISTON (TEIKOKU) | 1            |                       |
| 002        | 13101-ZL8-000     | PISTON                     | 1            | 1102445               |
| 002        | 13101-ZL8-000     | PISTON                     | 1            |                       |
| 002        | 13101-ZL8-000     | PISTON                     | 1            |                       |
| 003        | 13111-ZE0-000     | PIN, PISTON                | 1            |                       |
| 003        | 13111-ZE0-000     | PIN, PISTON                | 1            |                       |
| 004        | 13200-ZL9-000     | ROD ASSY., CONNECTING      | 1            |                       |
| 004        | 13200-ZL9-000     | ROD ASSY., CONNECTING      | 1            |                       |
| 005        | 90001-ZE1-000     | BOLT, CONNECTING ROD       | 2            |                       |
| 006        | 90551-ZE0-000     | CLIP, PISTON PIN, 13MM     | 2            |                       |



| <u>Ref</u> | <u>Partnumber</u> | <u>Description</u>         | <u>GC135</u> | <u>Serial Numbers</u> |
|------------|-------------------|----------------------------|--------------|-----------------------|
| 001        | 14320-ZL8-010     | PULLEY COMP., CAMSHAFT     | 1            |                       |
| 002        | 14324-ZL8-000     | SHAFT, CAM PULLEY          | 1            |                       |
| 002        | 14324-ZL8-000     | SHAFT, CAM PULLEY          | 1            |                       |
| 003        | 14400-ZL9-013     | BELT, TIMING (79HU7 G-200) | 1            |                       |
| 003        | 14400-ZL9-013     | BELT, TIMING (79HU7 G-200) | 1            |                       |
| 003        | 14400-ZL9-013     | BELT, TIMING (79HU7 G-200) | 1            |                       |
| 004        | 14431-ZL8-000     | ARM, IN. VALVE ROCKER      | 1            |                       |
| 004        | 14431-ZL8-000     | ARM, IN. VALVE ROCKER      | 1            |                       |
| 005        | 14441-ZL8-000     | ARM, EX. VALVE ROCKER      | 1            |                       |
| 005        | 14441-ZL8-000     | ARM, EX. VALVE ROCKER      | 1            |                       |
| 006        | 14461-ZL8-000     | SHAFT, ROCKER ARM          | 2            |                       |
| 011        | 90012-333-000     | SCREW, TAPPET ADJUSTING    | 2            |                       |
| 012        | 90206-001-000     | NUT, TAPPET ADJUSTING      | 2            |                       |
| <u>Ref</u> | <u>Partnumber</u> | <u>Description</u>         | <u>GC135</u> | <u>Serial Numbers</u> |
| 013        | 91301-ZM0-V31     | O-RING, 6.8X1.9 (ARAI)     | 1            |                       |