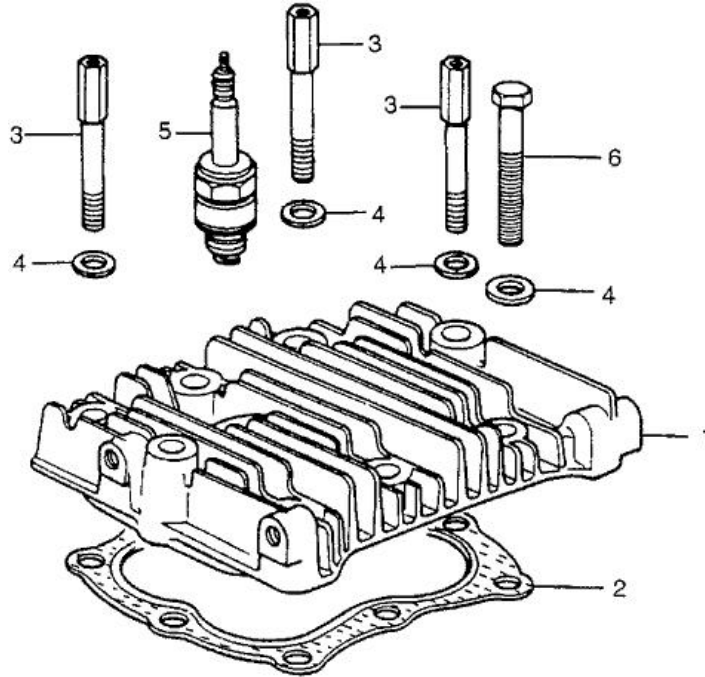


TRU-POWER, INC.

Model Name	G65	Product Line	GENERAL PURPOSE ENGINE
Mfg		Type	Q
Section	ENGINE	Illustration	G65/GS65 CYLINDER HEAD



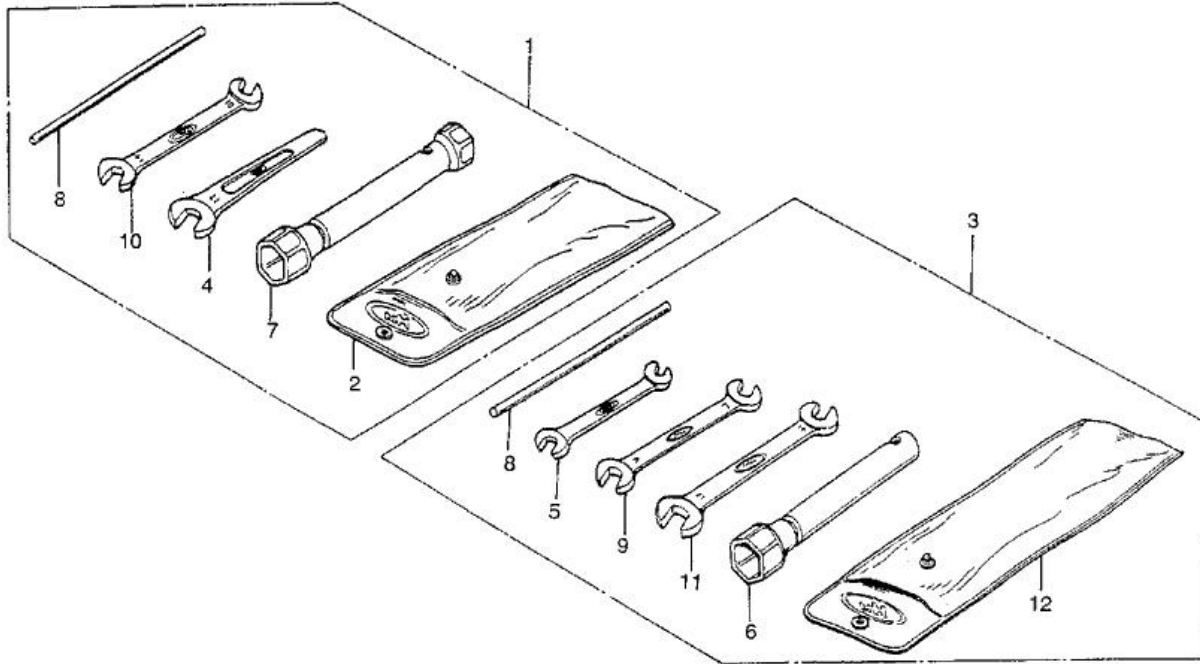
Ref.	Part Number	Part Description	Qty.
001	12201-823-000	CYLINDER HEAD	001
002	12251-823-000	GASKET, CYLINDER HEAD	(NOT AVAILABLE) 001
003	90001-823-650	BOLT, CYLINDER HEAD CLAMP	003
004	90402-822-000	WASHER, HEAD (8MM)	008
005	98076-56740	SPARK PLUG (B6HS) (NGK)	001
005	98076-56741	SPARK PLUG (B6HS) (NGK)	001
006	92025-08045	BOLT, HEX. (8X45)	005

Section

ENGINE

Illustration

TOOLS



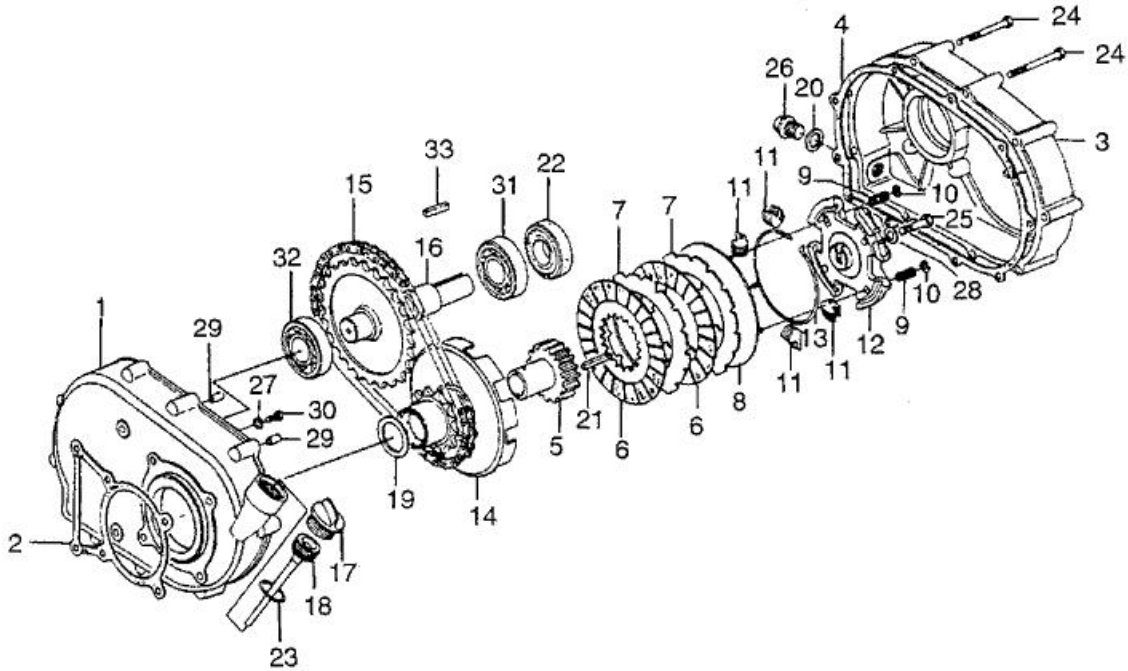
Ref.	Part Number	Part Description	Qty.
001	83010-805-000	TOOL SET (NOT AVAILABLE)	001
002	89101-ME5-670	BAG, TOOL	001
004	89206-805-000	WRENCH, OPEN END (7MM)	001
007	89216-829-010	WRENCH, SPARK PLUG (NOT AVAILABLE)	001
008	89219-805-000	HANDLE, BOX WRENCH	001
010	99001-10140	SPANNER (10X14)	001

Section

ENGINE

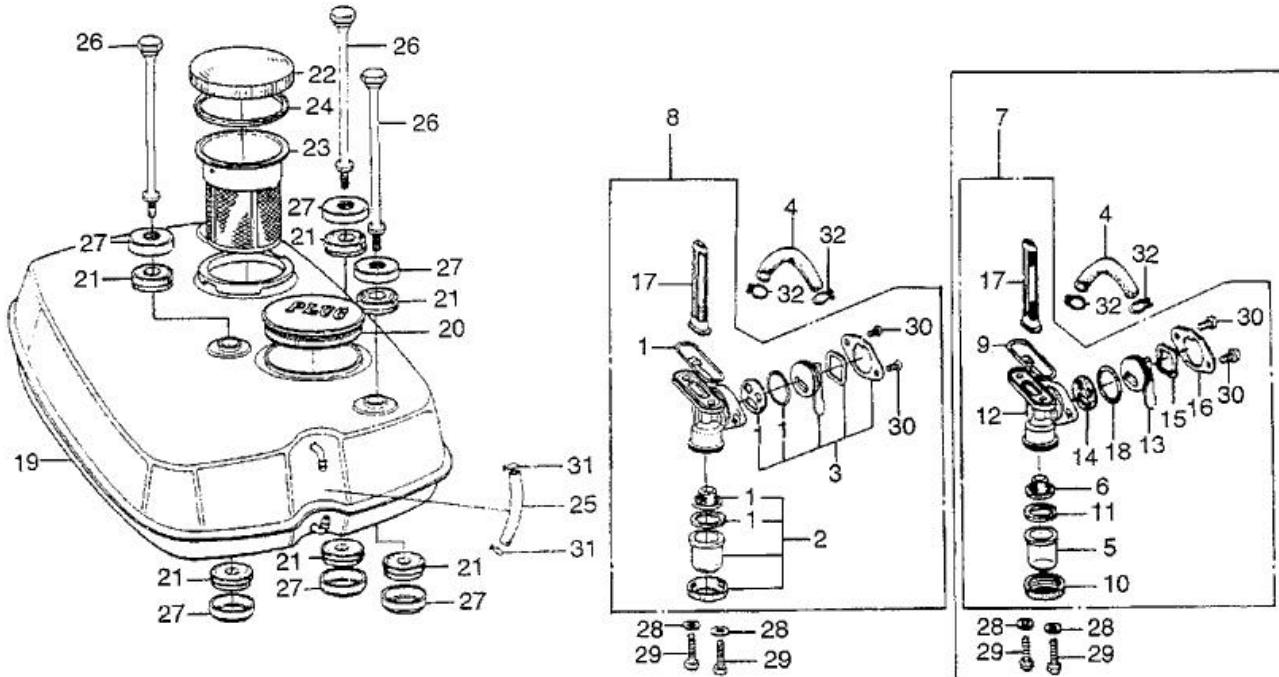
Illustration

1/2 REDUCTION (G65-RD/G65K2-RD1 TYPE)



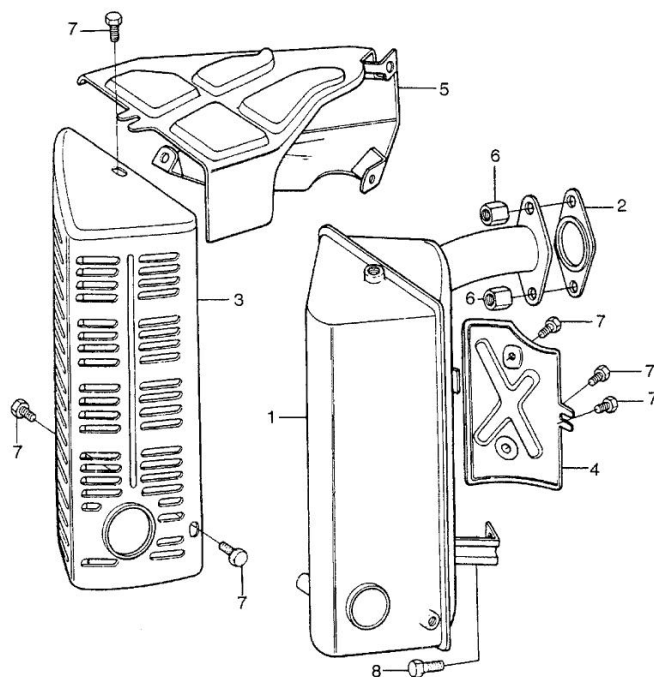
Ref.	Part Number	Part Description	Qty.
001	21510-823-611	CASE, REDUCTION	001
002	21591-809-610	GASKET, REDUCTION CASE	(NOT AVAILABLE) 001
003	21610-822-611	COVER, REDUCTION	001
004	21691-822-306	GASKET, REDUCTION	001
005	22121-822-610	CENTER, CLUTCH	(NOT AVAILABLE) 001
006	22201-822-306	DISK, CLUTCH FRICTION	002
007	22311-822-610	PLATE, CLUTCH	002
008	22350-822-610	PLATE, CLUTCH PRESSURE	001
009	22411-822-611	SPRING, CLUTCH FREE	004
010	22421-822-610	HOLDER, CLUTCH SPRING	004
011	22521-822-610	WEIGHT, CLUTCH	048
012	22531-822-612	HOLDER, CLUTCH WEIGHT	(NOT AVAILABLE) 001
013	22535-822-610	CENTER, CLUTCH WEIGHT	001
014	23120-822-610	SPROCKET, DRIVE	(NOT AVAILABLE) 001
015	23161-822-611	CHAIN, DRIVE (RK428SH-36LE)	001
016	23711-822-610	SHAFT, P.T.O. (28T)	001
017	25620-805-612	CAP, REDUCTION OIL (GRAY)	001
018	25651-822-610	DIPSTICK, OIL	(NOT AVAILABLE) 001
019	90403-822-610	WASHER (22MM)	(NOT AVAILABLE) 001
020	94109-12000	WASHER, DRAIN PLUG (12MM)	001
021	90741-822-610	KEY, CLUTCH CENTER	(NOT AVAILABLE) 001
022	91202-805-610	OIL SEAL (PJ30507)	001
022	91202-Z2F-801	OIL SEAL (30X50X7)	001
023	91301-805-000	O-RING (26X2.7)	001
024	92000-06056-0A	BOLT, HEX. (6X56)	(NOT AVAILABLE) 009
025	92101-08035-0A	BOLT, HEX. (8X35)	001
026	92800-12000	BOLT, DRAIN PLUG (12MM)	001
027	94101-08000	WASHER, PLAIN (8MM)	006
028	94111-08000	WASHER, SPRING (8MM)	001
029	94301-08100	PIN, DOWEL (8X10)	002
030	95100-08025-00	BOLT, HEX. (8X25)	(NOT AVAILABLE) 006
031	96100-62050-10	BEARING, RADIAL BALL (6205)	001

Ref.	Part Number	Part Description	Qty.
032	96100-62060-00	BEARING, RADIAL BALL (6206)	001

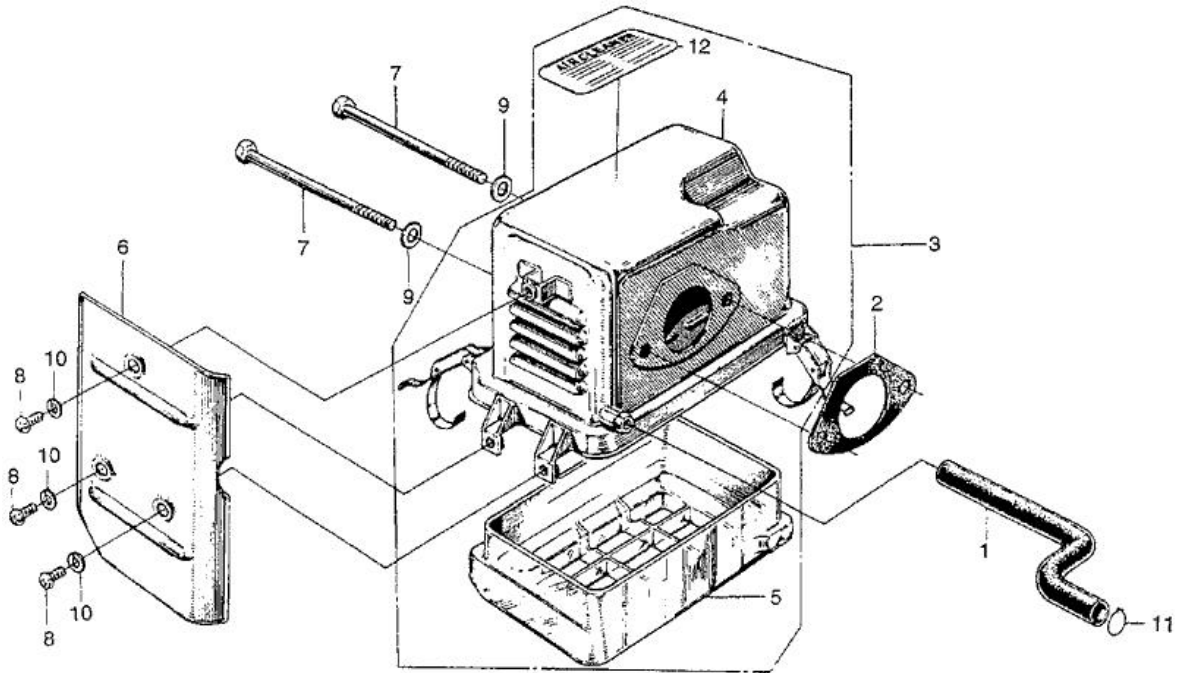


Ref.	Part Number	Part Description	Qty.
001	16080-822-005	GASKET SET, VALVE (NOT AVAILABLE)	001
002	16081-822-005	CAP SET, STRAINER	001
002	16081-822-505	CAP SET, STRAINER	001
003	16082-822-650	LEVER SET, VALVE (NOT AVAILABLE)	001
004	16851-839-000	TUBE, FUEL (NOT AVAILABLE)	001
005	16921-815-004	BOWL, FUEL	001
006	16931-822-004	ELEMENT (NOT AVAILABLE)	001
007	16950-822-005	PETCOCK ASSY. (NOT AVAILABLE)	001
008	16950-822-005	PETCOCK ASSY. (NOT AVAILABLE)	001
009	16955-815-004	O-RING (NOT AVAILABLE)	001
010	16957-703-004	NUT, RING (NOT AVAILABLE)	001
011	16958-703-007	GASKET, FUEL STRAINER CUP	001
012	16961-815-014	BODY, PETCOCK (NOT AVAILABLE)	001
013	16972-822-014	LEVER, PETCOCK (N/A: SEE ASSEMBLY)	001
014	16973-815-014	GASKET, VALVE (NOT AVAILABLE)	001
015	16975-815-004	SPRING, LEVER (NOT AVAILABLE)	001
016	16978-815-004	PLATE, LEVER STOP (N/A: SEE ASSEMBLY)	001
017	16981-822-305	FILTER, CHECK (NOT AVAILABLE)	001
018	16983-815-000	O-RING (21MM) (NOT AVAILABLE)	001
019	17550-823-000XC	TANK, FUEL *NH31*(MCKINLEY WHITE)	001
020	17617-843-780	COVER, PLUG *Y3L*(IVORY WHITE) (NOT AVAILABLE)	001
021	17631-822-000	RUBBER, TANK CUSHION (NOT AVAILABLE)	006
022	17650-805-750	CAP, FUEL TANK (NOT AVAILABLE)	001
023	17672-703-020	FILTER, FUEL (NOT AVAILABLE)	001
024	17673-703-030	GASKET, FUEL FILTER (NOT AVAILABLE)	001
025	17681-822-000	TUBE, FUEL LEVEL	001
026	90002-822-000	BOLT, TANK SETTING	003
027	90401-822-000	WASHER, TANK (NOT AVAILABLE)	006
028	90445-700-000	GASKET, FIBER (6MM)	002
029	92101-06016-0A	BOLT, HEX. (6X16)	002
029	93500-06016-0A	SCREW, PAN (6X16)	002
030	93500-03006-0A	SCREW, PAN (3X6)	002

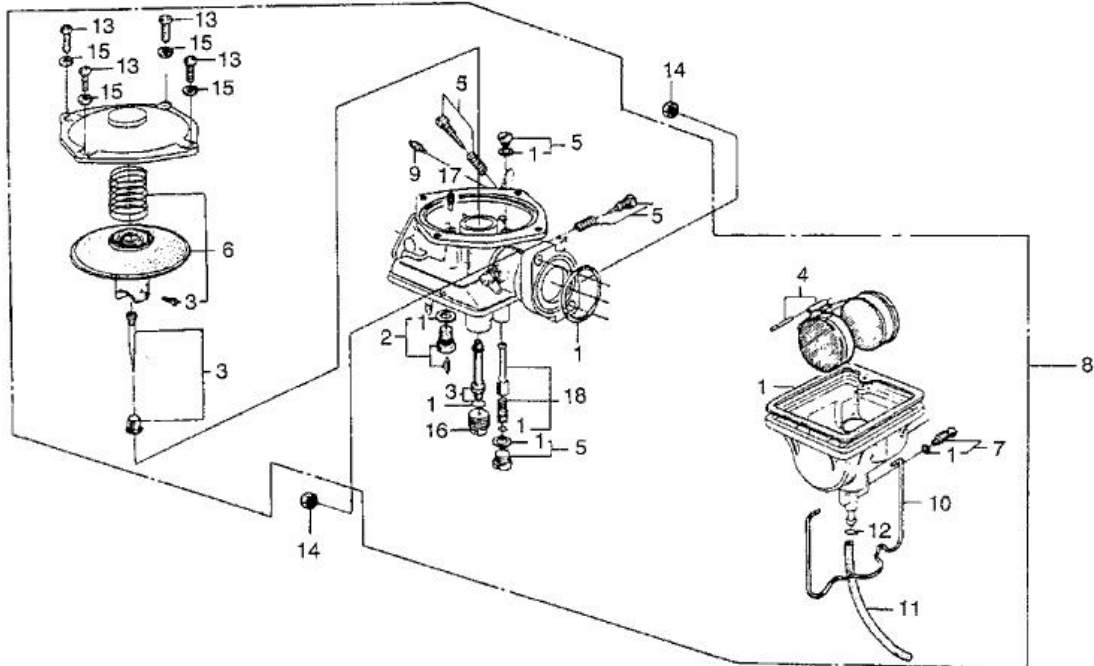
Ref.	Part Number	Part Description	Qty.
031	95002-50000	CLIP, TUBE (C9)	002
032	95002-02120	CLIP, TUBE (B12)	002
032	95002-70000	CLIP, TUBE (C11)	002



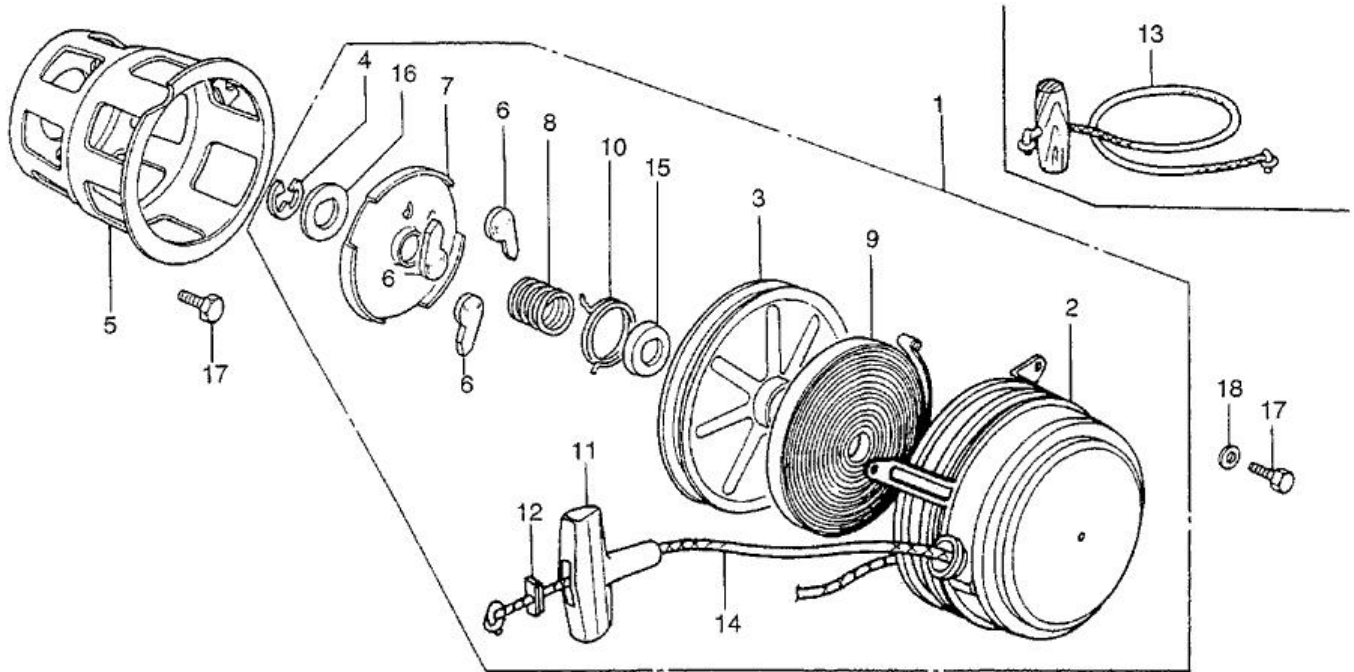
Ref.	Part Number	Part Description	Qty.
001	18300-823-000	MUFFLER (NOT AVAILABLE)	001
002	18351-809-000	GASKET, MUFFLER	001
003	18361-823-000	PROTECTOR, MUFFLER (NOT AVAILABLE)	001
004	18363-822-010	PLATE, MUFFLER SEPARATOR	001
005	18365-823-000	COVER, EX. PIPE	001
006	90381-703-000	NUT, HEX. (6MM) (NOT AVAILABLE)	002
007	92101-06008-0B	BOLT, HEX. (6X8)	006
008	92101-08018-0A	BOLT, HEX. (8X18)	001



Ref.	Part Number	Part Description	Qty.
001	12381-823-010	TUBE, BREATHER	001
002	16269-822-306	GASKET, AIR CLEANER (NOT AVAILABLE)	001
003	17400-823-661	AIR CLEANER, BATH (NOT AVAILABLE)	001
004	17401-823-811H	BODY, CLEANER *R8*(BRIGHT RED)	001
005	17402-822-660	PAN, OIL (NOT AVAILABLE)	001
006	17403-822-810	PROTECTOR (NOT AVAILABLE)	001
007	92101-06090-0A	BOLT, HEX. (6X90)	002
008	93500-04008-0A	SCREW, PAN (4X8)	003
009	94101-06800	WASHER, PLAIN (6MM)	002
010	94111-04000	WASHER, SPRING (4MM)	003
011	95002-02130	CLIP, TUBE (B12.5)	001
011	95002-70000	CLIP, TUBE (C11)	001
012	87535-816-660	PLATE, OIL BATH CAUTION	001



Ref.	Part Number	Part Description	Qty.
001	16010-822-004	GASKET SET (NOT AVAILABLE)	001
002	16011-355-004	VALVE SET, FLOAT	001
003	16012-823-004	NEEDLE SET, JET (NOT AVAILABLE)	001
004	16013-822-004	FLOAT SET (NOT AVAILABLE)	001
005	16016-823-000	SCREW SET (NOT AVAILABLE)	001
006	16022-823-004	VALVE SET, THROTTLE (NOT AVAILABLE)	001
007	16024-707-004	SCREW SET, DRAIN (NOT AVAILABLE)	001
008	16100-823-000	CARBURETOR ASSY. (NOT AVAILABLE)	001
009	16169-823-004	SCREW	001
010	16187-822-004	CLIP, FLOAT CHAMBER	001
011	16235-805-000	PIPE, OVERFLOW	001
011	95001-35003-60M	BULK HOSE, FUEL (3.5X3000) OEM CUT SIZE: (3.5X150)	001
012	90605-921-000	CLIP B7, TUBE	001
013	93500-05012-0A	SCREW, PAN (5X12)	004
014	94001-06000-0S	NUT, HEX. (6MM)	002
014	94001-06200-0S	NUT, HEX. (6MM)	002
015	94111-05000	WASHER, SPRING (5MM)	004
016	99114-822-0820	JET, MAIN (#82) (NOT AVAILABLE)	(4)
016	99114-822-0850	JET, MAIN (#85)	(4)
016	99114-823-0900	JET, MAIN (#85)	(4)
016	99114-823-0920	JET, MAIN (#92)	001
016	99114-823-0950	JET, MAIN (#95)	(1)
016	99114-823-0980	JET, MAIN (#98)	(1)
016	99114-823-1000	JET, MAIN (#100)	(1)
017	99134-823-0700	JET, AIR (#70)	001
018	99204-822-0400	JET SET, PILOT (#40) (NOT AVAILABLE)	001



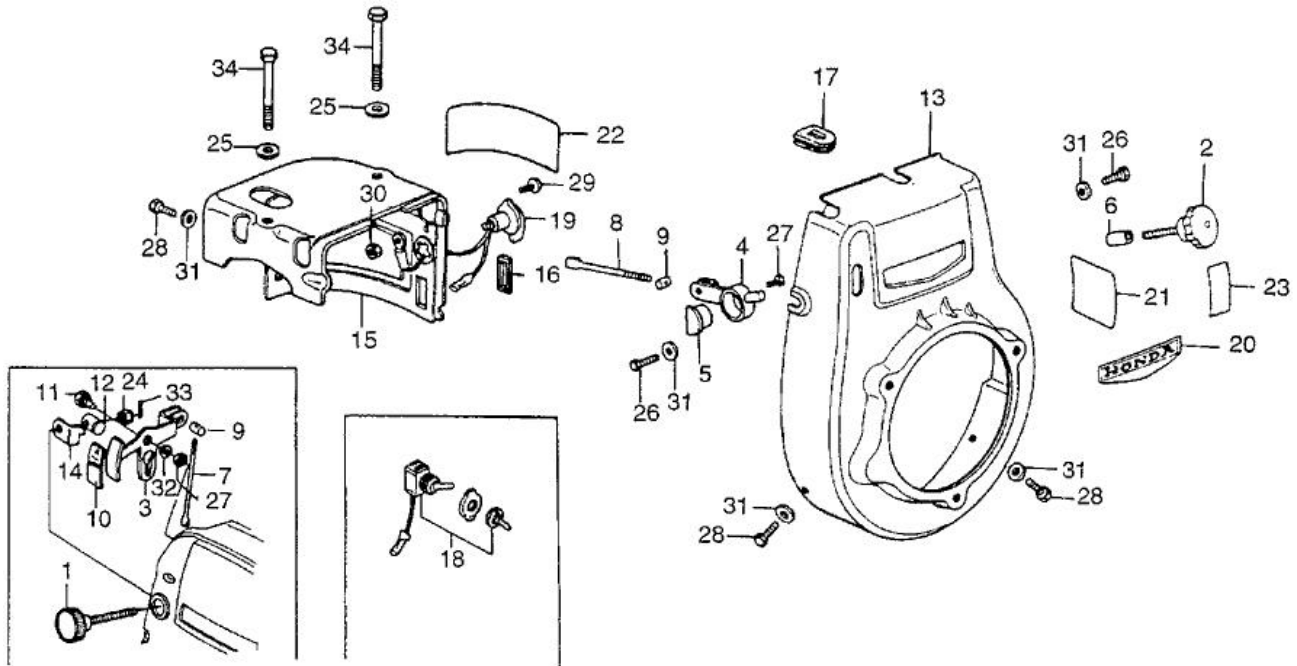
Ref.	Part Number	Part Description	Qty.
001	28400-823-810H	STARTER, RECOIL *R2L*(SCARLET) (NOT AVAILABLE)	001
002	28410-823-810	CASE, STARTER	001
003	28420-822-810	PULLEY, RECOIL STARTER	001
004	28423-809-810	E-RING (NOT AVAILABLE)	001
005	28430-823-010	PULLEY, STARTER	001
006	28441-822-810	RATCHET, STARTER	003
007	28445-822-650	PLATE, FRICTION	001
008	28446-809-810	SPRING, FRICTION (NOT AVAILABLE)	001
009	28451-809-810	SPRING, STARTER RETURN (NOT AVAILABLE)	001
010	28455-822-810	SPRING SET (NOT AVAILABLE)	001
011	28461-823-810	KNOB, STARTER	001
012	28465-822-650	STOPPER, ROPE	001
013	28470-822-000	ROPE, STARTER (#6X64") (NOT AVAILABLE)	001
014	28471-809-810	ROPE, STARTER (#6X64")	001
015	90481-809-810	WASHER A (NOT AVAILABLE)	001
016	90482-810-810	WASHER B (NOT AVAILABLE)	001
017	92101-06012	BOLT, HEX. (6X12)	006
017	92101-06012-0A	BOLT, HEX. (6X12)	006
018	94101-06800	WASHER, PLAIN (6MM)	003

Section

ENGINE

Illustration

FAN COVER - SIDE COVER



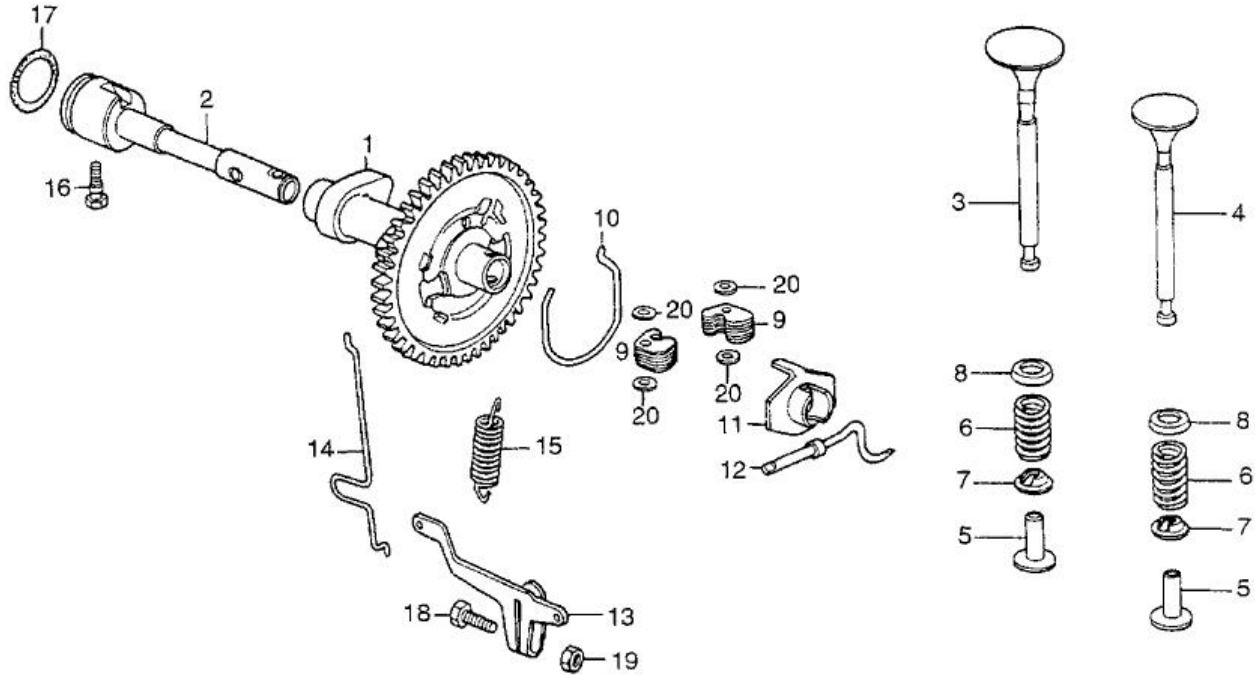
Ref.	Part Number	Part Description	Qty.
001	16560-809-040	KNOB, ADJUSTER	001
003	16570-809-020	ARM, GOVERNOR	001
007	16575-809-020	ROD, ADJUSTING	001
009	16579-810-000	JOINT, ADJUSTING ROD	001
010	16581-823-000	PLATE, INJECTOR	(NOT AVAILABLE)
011	16586-809-010	PIVOT, ARM	001
012	16587-809-010	NUT, ADJUSTER ARM	001
013	19600-823-000	COVER, FAN	(NOT AVAILABLE)
013	19600-823-020	COVER, FAN	(NOT AVAILABLE)
015	19611-823-000C	COVER, SIDE *R2L*(SCARLET)	001
016	19901-807-000	DEFENDER, SIDE COVER	001
018	36100-811-000	SWITCH ASSY., ENGINE	(NOT AVAILABLE)
020	87101-805-000	EMBLEM	001
022	87521-823-661	PLATE, DESCRIPTION	001
022	87521-829-600	PLATE, DESCRIPTION	001
024	90284-809-000	NUT, SPECIAL (6M/M)	001
027	94001-06000-0S	NUT, HEX. (6MM)	002
027	94001-06200-0S	NUT, HEX. (6MM)	002
028	92101-06012	BOLT, HEX. (6X12)	005
028	92101-06012-0A	BOLT, HEX. (6X12)	005
031	94101-06800	WASHER, PLAIN (6MM)	005
032	94111-06000	WASHER, SPRING (6MM)	001
033	94201-16120	PIN, SPLIT (1.6X12)	001

Section

ENGINE

Illustration

CAMSHAFT - GOVERNOR ARM



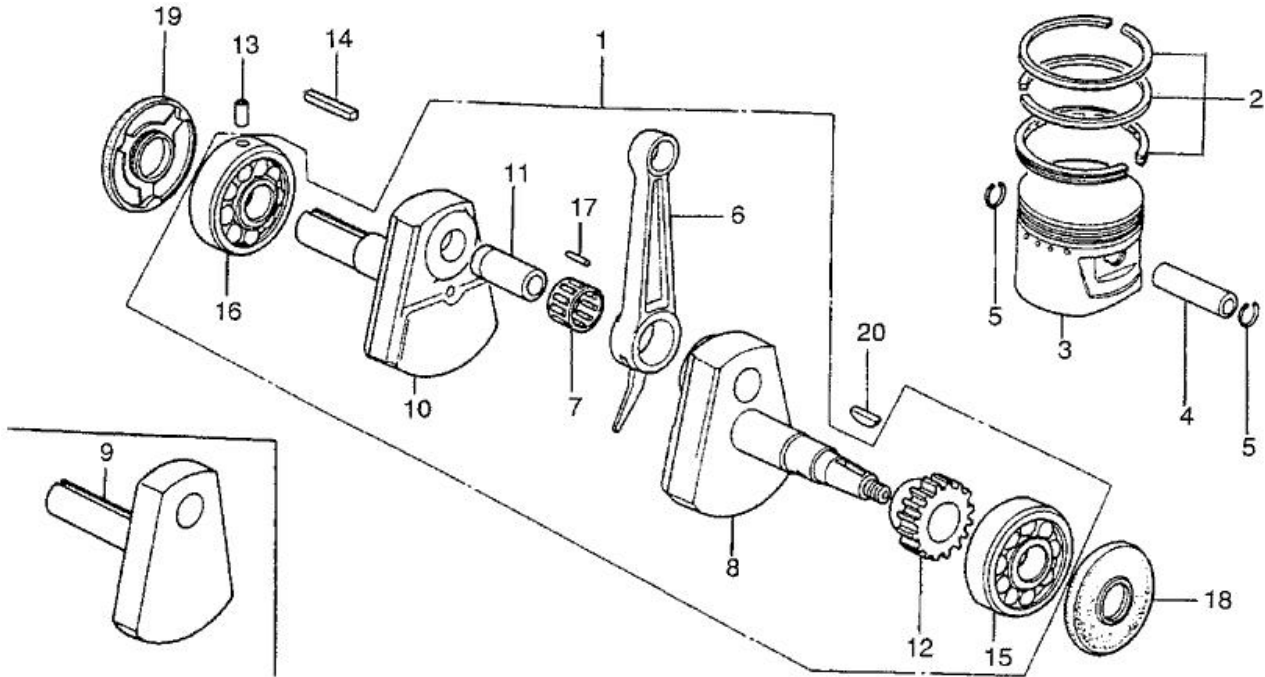
Ref.	Part Number	Part Description	Qty.
001	14101-823-303	CAMSHAFT	001
002	14210-823-010	CENTER, CAMSHAFT	001
003	14711-823-020	VALVE, IN.	(NOT AVAILABLE)
004	14721-823-020	VALVE, EX.	(NOT AVAILABLE)
005	14731-809-010	LIFTER, VALVE	(NOT AVAILABLE)
006	14751-823-010	SPRING, VALVE	(NOT AVAILABLE)
007	14771-883-305	RETAINER, VALVE SPRING	002
008	14775-809-000	SEAT, SPRING	(NOT AVAILABLE)
009	16511-805-000	WEIGHT, GOVERNOR	012
010	16515-805-000	CENTER, GOVERNOR WEIGHT	(NOT AVAILABLE)
011	16521-823-000	SLIDER, GOVERNOR	(NOT AVAILABLE)
012	16535-809-010	SHAFT, GOVERNOR ARM	(NOT AVAILABLE)
013	16541-809-030	ARM, GOVERNOR	001
014	16545-823-000	ROD, GOVERNOR	(NOT AVAILABLE)
015	16551-806-000	SPRING, GOVERNOR	001
016	90008-809-000	BOLT, CAMSHAFT CENTER STOPPER	(NOT AVAILABLE)
017	91318-PA9-003	O-RING (23.5X2.1) (ARAI)	001
018	92101-06016-0A	BOLT, HEX. (6X16)	001
019	94001-06000-0S	NUT, HEX. (6MM)	001
019	94001-06200-0S	NUT, HEX. (6MM)	001
020	94101-03000	WASHER, PLAIN (3MM)	004

Section

ENGINE

Illustration

CRANKSHAFT - PISTON



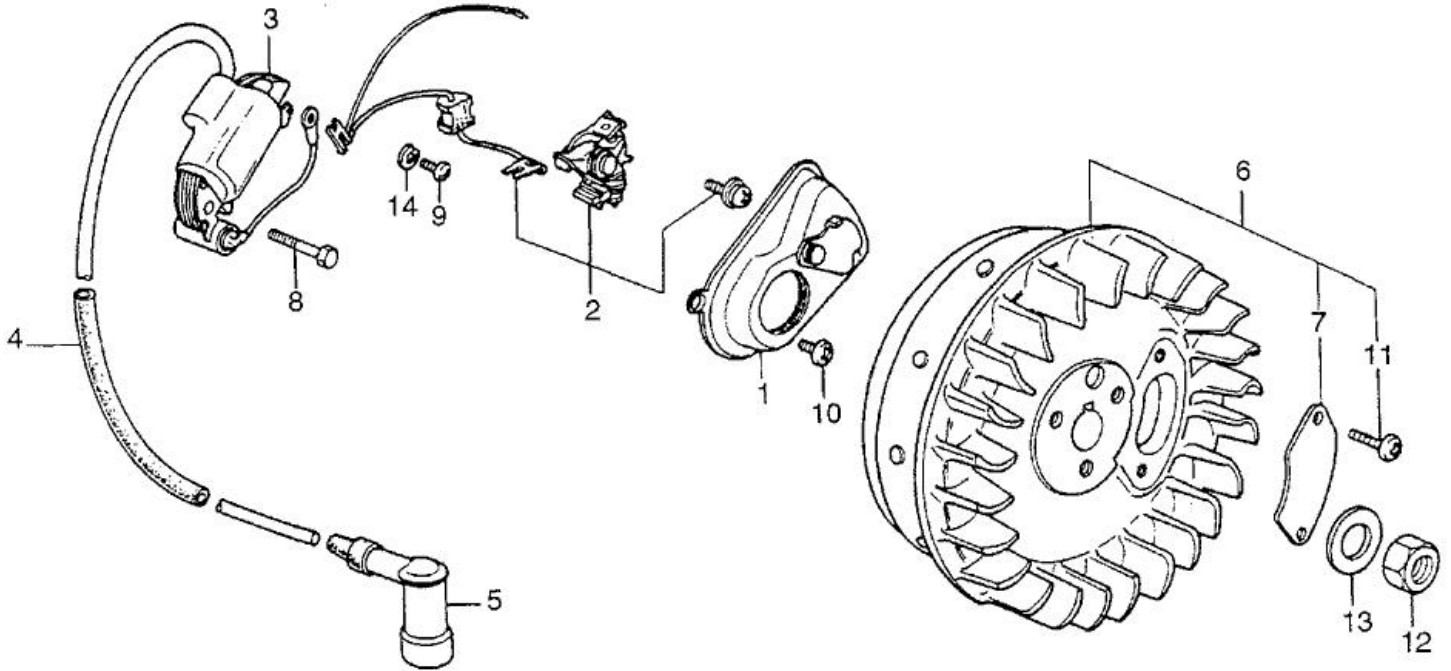
Ref.	Part Number	Part Description	Qty.
001	13000-873-000	CRANKSHAFT ASSY.	001
002	13011-809-010	RING SET, PISTON (STD)	(NOT AVAILABLE) 001
002	13021-809-010	RING SET, PISTON (OVER SIZE) (0.25)	(NOT AVAILABLE) (1)
002	13031-809-010	RING SET, PISTON (OVER SIZE) (0.50)	(NOT AVAILABLE) (1)
002	13041-809-010	RING SET, PISTON (OVER SIZE) (0.75)	(NOT AVAILABLE) (1)
003	13101-823-000	PISTON (STD)	(NOT AVAILABLE) 001
003	13102-823-000	PISTON (OVER SIZE) (0.25)	(NOT AVAILABLE) (1)
003	13103-823-000	PISTON (OVER SIZE) (0.50)	(NOT AVAILABLE) (1)
003	13104-823-000	PISTON (OVER SIZE) (0.75)	(1)
004	13111-809-010	PIN, PISTON	(NOT AVAILABLE) 001
005	94601-19000	CLIP, PISTON PIN (19MM)	002
006	13201-809-010	ROD, CONNECTING	(NOT AVAILABLE) 001
007	13211-809-000	RETAINER, ROLLER	001
008	13311-823-010	CRANKSHAFT, R.	001
009	13321-809-010	CRANKSHAFT, L.	001
010	13321-873-700	CRANKSHAFT, L.	001
011	13381-809-010	PIN, CRANK	(N/A: SEE ASSEMBLY) 001
012	14311-823-000	GEAR, TIMING	001
013	90705-259-020	PIN, KNOCK (7X12)	(NOT AVAILABLE) 001
014	90741-889-810	KEY (7X7X33) (OVER SIZE) (YELLOW)	001
015	91001-809-003	BEARING, RADIAL BALL (6306S)	(NOT AVAILABLE) 001
016	91002-809-003	BEARING, BALL (6306)	001
017	91101-809-020	ROLLER, ROD (3X16)	024
018	91201-809-003	OIL SEAL (30759)	(NOT AVAILABLE) 001
019	91202-809-003	OIL SEAL (PJ30779)	001
020	94401-25180	KEY, WOODRUFF (25X18)	001

Section

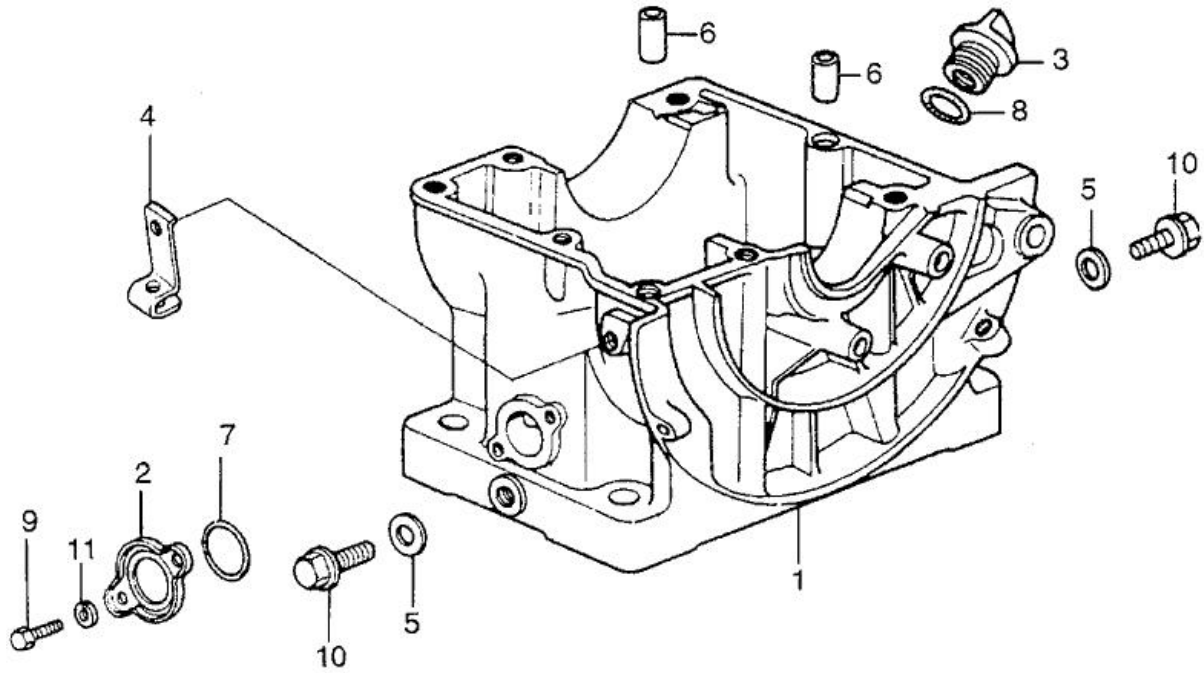
ENGINE

Illustration

POINTS - IGNITION COILS - FLYWHEEL



Ref.	Part Number	Part Description	Qty.
001	30210-823-010	COVER, POINT	001
002	30280-823-000	POINTS ASSY.	(NOT AVAILABLE) 001
002	30280-873-000	POINTS ASSY.	001
003	30560-823-000	COIL, IGNITION	(NOT AVAILABLE) 001
003	30560-823-023	COIL, IGNITION	001
004	30565-728-000	TUBE, IGNITION RUBBER	001
005	30600-822-000	TERMINAL ASSY., IGNITION	(NOT AVAILABLE) 001
006	31121-823-013	MAGNETO, FLYWHEEL	(NOT AVAILABLE) 001
007	31125-822-000	COVER, FLYWHEEL WINDOW	(NOT AVAILABLE) 001
008	92101-06028-0A	BOLT, HEX. (6X28)	002
009	93500-03006-0B	SCREW, PAN (3X6)	(NOT AVAILABLE) 001
010	93500-05006-0A	SCREW, PAN (5X6)	002
011	93500-05010-0A	SCREW, PAN (5X10)	002
012	94002-14000-0S	NUT, HEX. (14MM)	(SOURCE: VINTAGE PARTS INC.) 001
013	94101-14000	WASHER, PLAIN (14MM)	001
014	94111-03000	WASHER, SPRING (3MM)	001



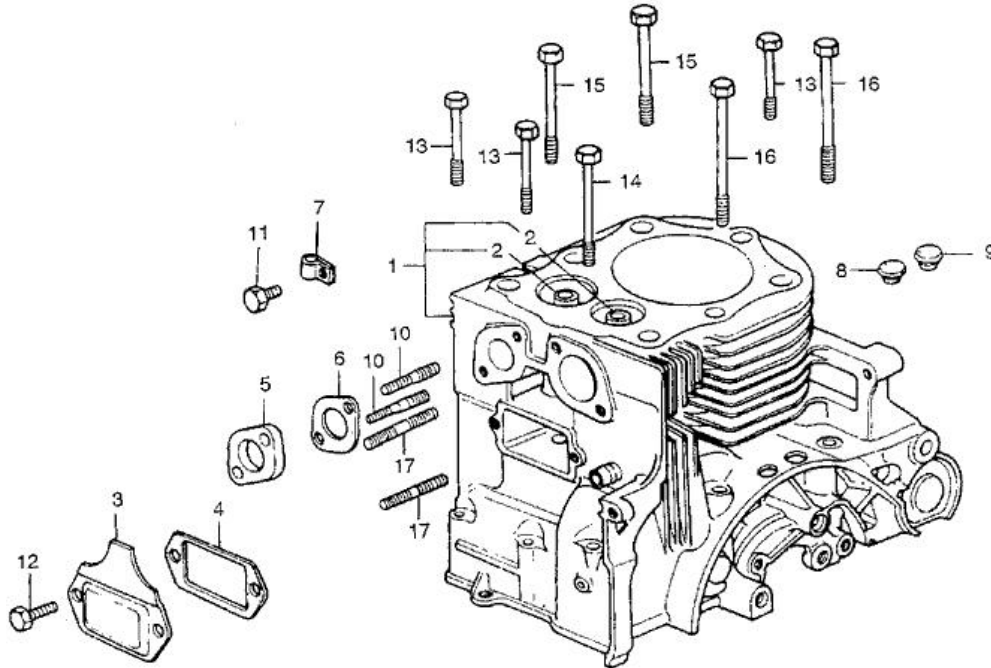
Ref.	Part Number	Part Description	Qty.
001	11200-823-010	PAN, OIL (NOT AVAILABLE)	001
002	11210-822-010	COVER, OIL PAN HOLE	001
002	11210-822-405	COVER, OIL PAN	001
003	15611-921-000	CAP, OIL (YELLOW)	001
004	16591-809-000	HOLDER, CABLE (NOT AVAILABLE)	001
005	94109-12000	WASHER, DRAIN PLUG (12MM)	002
006	90701-200-000	PIN, KNOCK (8.5X11) (NOT AVAILABLE)	002
007	91301-028-000	O-RING (27X2.0)	001
007	91305-KF0-003	O-RING (27X2) (ARAI)	001
008	91301-805-000	O-RING (26X2.7)	001
009	92101-06012	BOLT, HEX. (6X12)	002
009	92101-06012-0A	BOLT, HEX. (6X12)	002
010	92800-12000	BOLT, DRAIN PLUG (12MM)	002

Section

ENGINE

Illustration

CYLINDER



Ref.	Part Number	Part Description	Qty.
001	12100-823-060	CYLINDER	001
002	12236-823-305	GUIDE, VALVE	(2)
003	12361-823-000	COVER, TAPPET	001
003	12361-823-651	COVER, TAPPET	001
004	15719-809-020	GASKET, TAPPET COVER	(NOT AVAILABLE)
004	15719-823-000	GASKET, TAPPET COVER	(NOT AVAILABLE)
005	16211-823-303	INSULATOR, CARBURETOR	(NOT AVAILABLE)
006	16229-823-000	GASKET, CARBURETOR INSULATOR	(NOT AVAILABLE)
007	16237-709-000	STAY, OVERFLOW PIPE	001
008	32951-705-000	GROMMET, WIRE	(NOT AVAILABLE)
009	32952-805-020	GROMMET, WIRE	(NOT AVAILABLE)
010	90061-822-010	BOLT, STUD (8X42)	(NOT AVAILABLE)
011	92101-06012	BOLT, HEX. (6X12)	001
011	92101-06012-0A	BOLT, HEX. (6X12)	001
012	92101-06016-0A	BOLT, HEX. (6X16)	002
013	92000-06063-0A	BOLT, HEX. (6X63)	003
014	92101-06090-0A	BOLT, HEX. (6X90)	001
015	92180-08080-0A	BOLT, HEX. (8X80)	002
016	92000-08100-0A	BOLT, HEX. (8X100)	002
017	92900-06020-0B	BOLT, STUD (6X20)	002