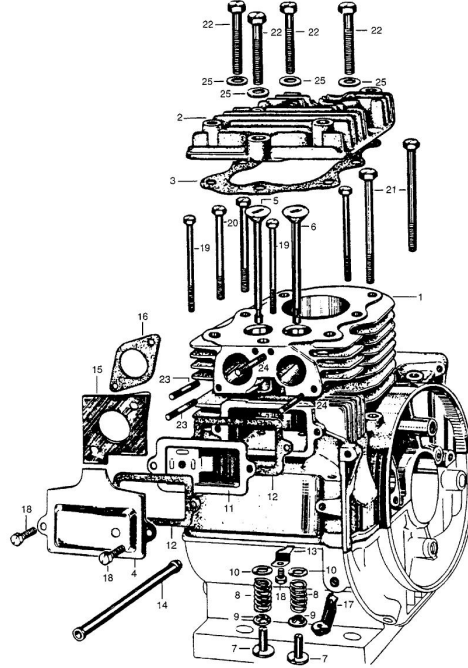


TRU-POWER, INC.

Model Name	G30	Product Line	GENERAL PURPOSE ENGINE
Mfg	JPN	Type	A
Section	ENGINE	Illustration	CYLINDER



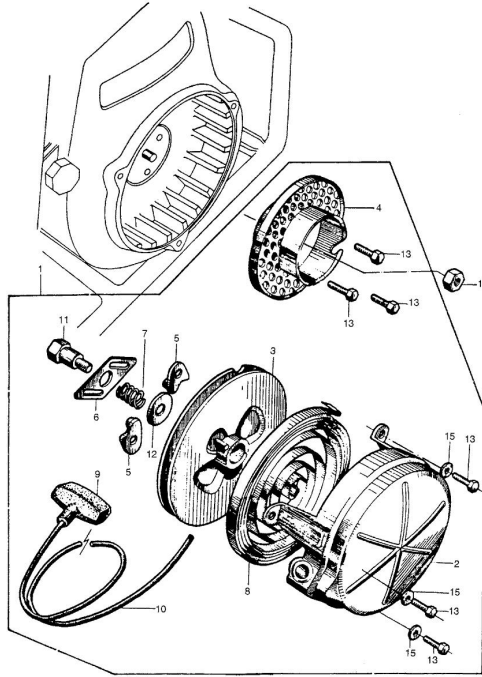
Ref.	Part Number	Part Description	Qty.
001	12100-805-060	CYLINDER	001
001	12100-806-020	CYLINDER	001
002	12201-806-000	CYLINDER HEAD	001
003	12251-805-000	GASKET, CYLINDER HEAD	(NOT AVAILABLE) 001
004	12361-805-020	COVER, TAPPET	001
005	14711-805-000	VALVE, IN.	(NOT AVAILABLE) 001
006	14721-805-000	VALVE, EX.	(NOT AVAILABLE) 001
007	14731-805-000	LIFTER, VALVE	002
008	14751-805-000	SPRING, VALVE	(NOT AVAILABLE) 002
009	14771-883-305	RETAINER, VALVE SPRING	002
010	14775-805-010	SEAT, VALVE SPRING	002
011	15710-805-000	PLATE, BREATHER	(NOT AVAILABLE) 001
012	15719-805-000	GASKET, BREATHER CASE	(NOT AVAILABLE) 002
013	15751-805-000	SEPARATOR, OIL	001
014	15761-805-010	PIPE, BREATHER	001
014	15761-805-020	PIPE, BREATHER	001
015	16211-805-020	INSULATOR, CARBURETOR	(NOT AVAILABLE) 001
016	16229-805-000	GASKET, CARBURETOR INSULATOR	(NOT AVAILABLE) 001
017	16591-805-000	HOLDER, WIRE	001
018	92101-06012	BOLT, HEX. (6X12)	003
018	92101-06012-0A	BOLT, HEX. (6X12)	003
019	92101-06070-0A	BOLT, HEX. (6X70)	004
020	92000-08070-0A	BOLT, HEX. (8X70)	002
020	92200-08070-0A	BOLT, HEX. (8X70)	(NOT AVAILABLE) 002
021	92101-08095-0A	BOLT, HEX. (8X95)	002
022	92101-10050-0A	BOLT, HEX. (10X50)	004
023	92900-06025-0B	BOLT, STUD (6X25)	002
024	92900-06018-0B	BOLT, STUD (6X18)	002
025	94101-10000	WASHER, PLAIN (10MM)	004

Section

ENGINE

Illustration

RECOIL STARTER



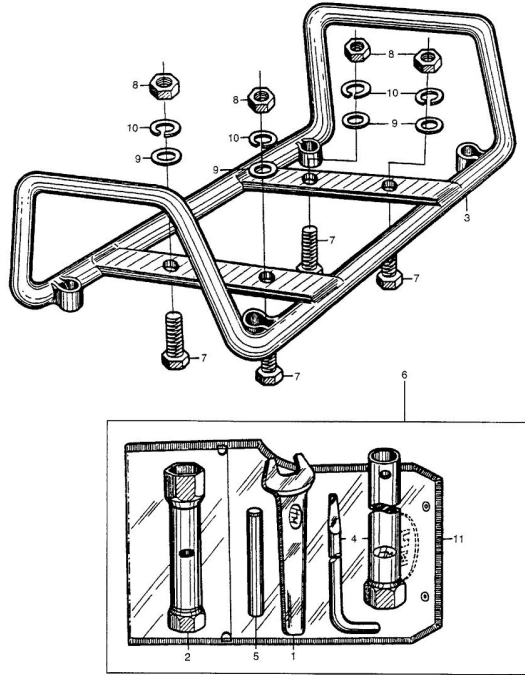
Ref.	Part Number	Part Description	Qty.
001	28400-806-305C	STARTER ASSY., RECOIL *R2*(SCARLET)	(NOT AVAILABLE) 001
002	28410-806-810	CASE, RECOIL STARTER	(NOT AVAILABLE) 001
003	28420-806-810	PULLEY, RECOIL STARTER	001
004	28426-805-830	PULLEY, STARTER RATCHET	(NA USE ALT: 28400-806-305C) 001
005	28441-806-820	RATCHET, STARTER	002
006	28445-805-811	PLATE, FRICTION	001
007	28446-806-810	SPRING, FRICTION	001
008	28451-805-810	SPRING, STARTER RETURN	(NOT AVAILABLE) 001
009	28461-823-810	KNOB, STARTER	001
010	28462-ZE8-811	ROPE, STARTER	(N/A: USE ALT P/N 08560-ZG921-11) 001
011	90081-805-811	BOLT, SPECIAL (8MM)	001
011	90081-806-810	BOLT, SPECIAL (8MM)	001
012	90474-806-810	WASHER (8MM)	(NOT AVAILABLE) 001
013	92101-06008-0A	BOLT, HEX. (6X8)	006
014	94030-08000	NUT, HEX. (8MM)	001
015	94101-06800	WASHER, PLAIN (6MM)	003

Section

ENGINE

Illustration

TOOLS - ENGINE BED



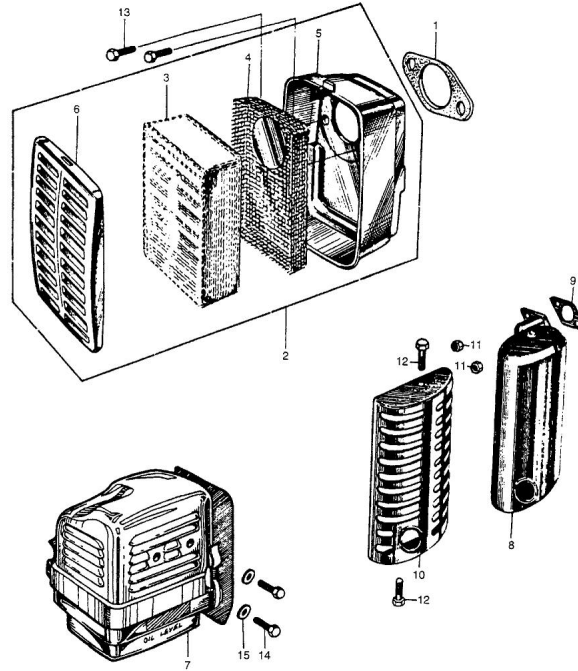
Ref.	Part Number	Part Description	Qty.
001	89206-805-000	WRENCH, OPEN END (7MM)	001
002	99001-10140	SPANNER (10X14)	001
003	68300-805-810C	BED, ENGINE *R2*(SCARLET)	001
004	89216-805-000	WRENCH, SET PLUG (NOT AVAILABLE)	001
005	89219-805-000	HANDLE, BOX WRENCH	001
006	83010-805-000	TOOL SET (NOT AVAILABLE)	001
007	92000-10036-0A	BOLT, HEX. (10X36)	004
008	94030-10000	NUT, HEX. (10MM)	004
009	94101-10000	WASHER, PLAIN (10MM)	004
010	94111-10000	WASHER, SPRING (10MM)	004
011	89101-ME5-670	BAG, TOOL	001

Section

ENGINE

Illustration

AIR CLEANER



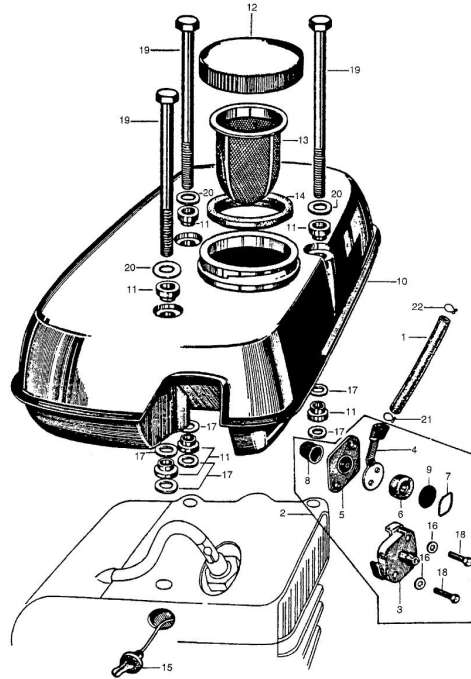
Ref.	Part Number	Part Description	Qty.
001	16269-805-000	GASKET, AIR CLEANER (NOT AVAILABLE)	001
002	17200-807-641	AIR CLEANER ASSY. (N/A: SEE COMPONENTS)	001
003	17211-865-630	ELEMENT, AIR CLEANER (NOT AVAILABLE)	001
004	17212-807-641	GRID, AIR CLEANER (NOT AVAILABLE)	001
005	17221-807-642C	HOUSING, AIR CLEANER *R2*(SCARLET)	001
006	17231-807-641	COVER, AIR CLEANER (NOT AVAILABLE)	001
007	17400-807-810C	CLEANER ASSY., OIL BATH TYPE *R2*(SCARLET)	001
008	18300-805-811	MUFFLER (NOT AVAILABLE)	001
009	18351-805-000	GASKET, MUFFLER	001
010	18361-805-010	PROTECTOR, MUFFLER	001
011	90381-703-000	NUT, HEX. (6MM) (NOT AVAILABLE)	002
012	92000-06010-02	BOLT, HEX. (6X10) (NOT AVAILABLE)	002
013	92101-06012	BOLT, HEX. (6X12)	002
013	92101-06012-0A	BOLT, HEX. (6X12)	002
014	92101-06090-0A	BOLT, HEX. (6X90)	002
015	94101-06800	WASHER, PLAIN (6MM)	002

Section

ENGINE

Illustration

FUEL TANK



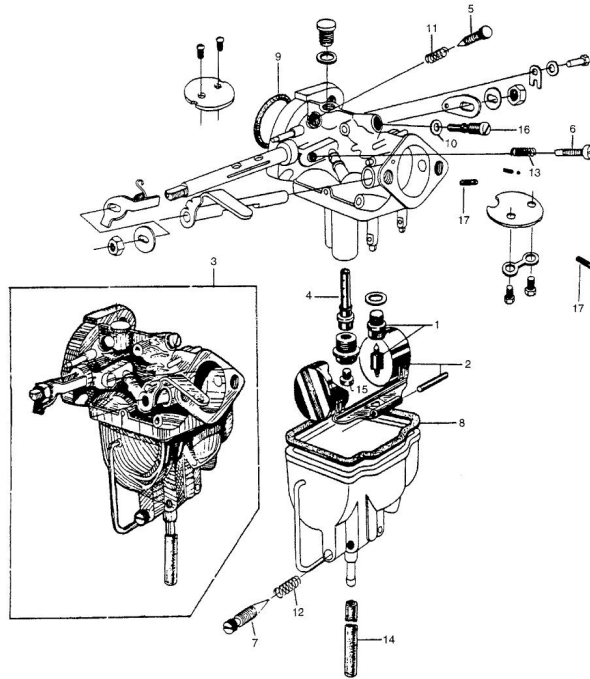
Ref.	Part Number	Part Description	Qty.
001	16851-805-010	TUBE, FUEL (NOT AVAILABLE)	001
001	16851-805-020	TUBE, FUEL	001
002	16950-805-305	PETCOCK ASSY. (N/A: SEE COMPONENTS)	001
003	16961-806-000	BODY, PETCOCK	001
004	16972-806-000	LEVER, PETCOCK	001
005	16973-805-000	GASKET A, PETCOCK (NOT AVAILABLE)	001
006	16974-805-000	GASKET B, PETCOCK (NOT AVAILABLE)	001
007	16975-805-000	SPRING, PETCOCK LEVER (NOT AVAILABLE)	001
008	16981-805-000	FILTER A, CHECK (NOT AVAILABLE)	001
009	16982-805-000	FILTER B, CHECK (NOT AVAILABLE)	001
010	17500-805-020N	TANK, FUEL *PB1*(DARK BLUE)	001
011	17638-805-000	INSULATOR, TANK	006
012	17650-805-750	CAP, FUEL TANK (NOT AVAILABLE)	001
013	17672-703-020	FILTER, FUEL (NOT AVAILABLE)	001
014	17673-703-010	GASKET, FILTER (NOT AVAILABLE)	001
015	36100-811-000	SWITCH ASSY., ENGINE (NOT AVAILABLE)	001
016	90445-700-000	GASKET, FIBER (6MM)	002
017	90503-805-000	WASHER A, INSULATOR	006
018	92101-06022-0A	BOLT, HEX. (6X22)	002
019	92030-10160	BOLT, HEX. (10X160) (NOT AVAILABLE)	003
020	94101-10000	WASHER, PLAIN (10MM)	003
021	95002-50000	CLIP, TUBE (C9)	001
022	95002-80000	CLIP, TUBE (C12)	001

Section

ENGINE

Illustration

CARBURETOR



Ref.	Part Number	Part Description	Qty.
001	16011-051-004	VALVE SET, FLOAT	001
002	16013-116-700	FLOAT SET	001
003	16100-806-305	CARBURETOR ASSY.	(NOT AVAILABLE) 001
004	16134-805-004	NOZZLE, MAIN	(NOT AVAILABLE) 001
005	16161-805-004	SCREW, PILOT	(NOT AVAILABLE) 001
006	16163-805-004	SCREW, THROTTLE STOP	(NOT AVAILABLE) 001
007	16164-805-004	SCREW, DRAIN	(NOT AVAILABLE) 001
008	16172-030-004	WASHER, FLOAT CHAMBER	001
009	16173-260-004	O-RING (29X2.4)	001
010	16175-260-004	O-RING (2.8MM)	(NOT AVAILABLE) 001
011	16181-250-004	SPRING, AIR SCREW	(NOT AVAILABLE) 001
012	16182-250-004	SPRING, THROTTLE STOP	(NOT AVAILABLE) 001
013	16182-700-004	SPRING, THROTTLE STOP	(NOT AVAILABLE) 001
014	95001-35003-60M	BULK HOSE, FUEL (3.5X3000) OEM CUT SIZE: (3.5X150)	001
015	99101-08004	JET, MAIN (#80)	(NOT AVAILABLE) 001
015	99101-08204	JET, MAIN (#82)	(NOT AVAILABLE) 001
015	99101-08504	JET, MAIN (#85)	(NOT AVAILABLE) 001
015	99101-08804	JET, MAIN (#88)	(NOT AVAILABLE) 001
015	99101-09004	JET, MAIN (#90)	(NOT AVAILABLE) 001
016	99126-03504	JET, SLOW (#35)	(NOT AVAILABLE) 001
016	99126-03804	JET, SLOW (#38)	(NOT AVAILABLE) 001
016	99126-04004	JET, SLOW (#40)	(NOT AVAILABLE) 001
016	99126-04204	JET, SLOW (#42)	(NOT AVAILABLE) 001
017	99134-548-1000	JET, AIR (#100)	(NOT AVAILABLE) 002
017	99134-548-1200	JET, AIR (#120)	002
017	99134-548-1300	JET, AIR (#130)	002
017	99134-548-1500	JET, AIR (#150)	(NOT AVAILABLE) 002
017	99134-548-1700	JET, AIR	002
017	99156-11004	JET, AIR (#110)	(NOT AVAILABLE) 002
017	99156-14004	JET, AIR (#140)	(NOT AVAILABLE) 002
017	99156-16004	JET, AIR (#160)	(NOT AVAILABLE) 002
017	99156-18004	JET, AIR (#180)	(NOT AVAILABLE) 002

Section	ENGINE	Illustration	CARBURETOR
----------------	---------------	---------------------	-------------------

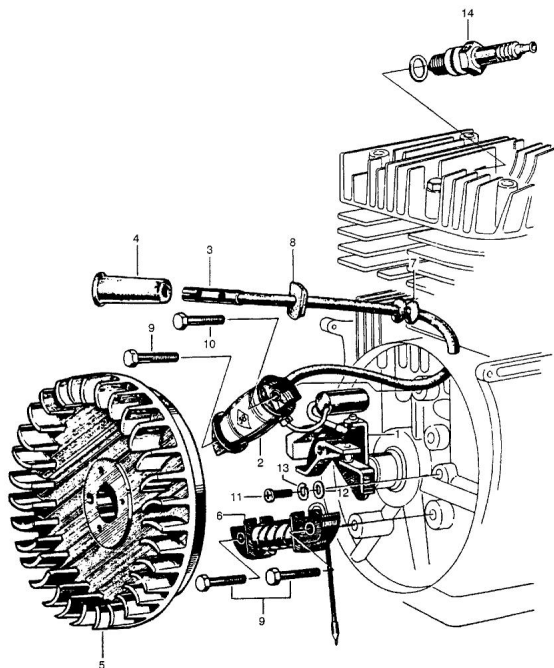
Ref.	Part Number	Part Description	Qty.
017	99156-19004	JET, AIR (#190)	002
017	99156-20004	JET, AIR (#200)	002

Section

ENGINE

Illustration

MAGNETO



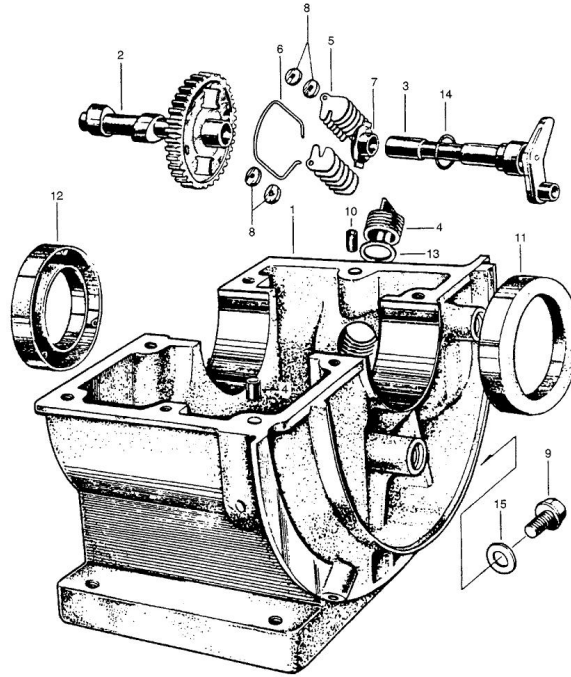
Ref.	Part Number	Part Description	Qty.
001	30280-805-014	CONDENSER, BREAKER (NOT AVAILABLE)	001
001	30280-805-024	CONDENSER, BREAKER	001
002	30560-805-020	COIL, IGNITION	001
002	30560-805-315	COIL, IGNITION (NOT AVAILABLE)	001
002	30560-809-013	COIL, IGNITION	001
003	30600-805-000	TERMINAL, IGNITION	001
003	30600-805-010	TERMINAL, IGNITION	001
004	30611-805-000	CAP, IGNITION TERMINAL	001
004	30611-805-010	CAP, IGNITION TERMINAL (NOT AVAILABLE)	001
005	31121-805-040	FLYWHEEL, MAGNETO (NOT AVAILABLE)	001
006	31501-805-812	COIL, LAMP (NOT AVAILABLE)	001
007	32952-805-010	GROMMET, WIRE	001
007	32952-805-020	GROMMET, WIRE (NOT AVAILABLE)	001
008	32957-805-000	GROMMET, IGNITION WIRE	001
009	92101-06032-0A	BOLT, HEX. (6X32)	003
010	92101-06035-0A	BOLT, HEX. (6X35)	001
011	92300-05014	BOLT, RECESSED (5X14) (NOT AVAILABLE)	001
012	94101-05000	WASHER, PLAIN (5MM)	001
013	94111-05000	WASHER, SPRING (5MM)	001
014	98076-56740	SPARK PLUG (B6HS) (NGK)	001
014	98076-56741	SPARK PLUG (B6HS) (NGK)	001

Section

ENGINE

Illustration

OIL PAN - CAMSHAFT



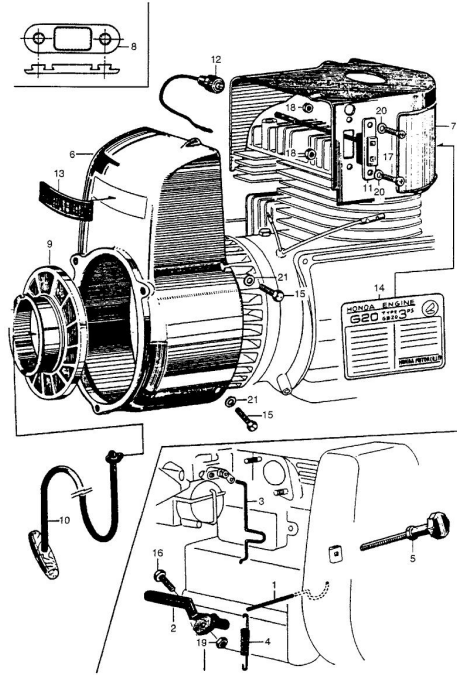
Ref.	Part Number	Part Description	Qty.
001	11200-807-640	PAN, OIL	001
001	11200-807-642	PAN, OIL	001
002	14101-805-030	CAMSHAFT	001
003	14210-805-000	CENTER, CAMSHAFT	(NOT AVAILABLE) 001
004	15611-921-000	CAP, OIL (YELLOW)	001
005	16511-805-000	WEIGHT, GOVERNOR	012
006	16515-805-000	CENTER, GOVERNOR WEIGHT	(NOT AVAILABLE) 001
007	16521-805-000	SLIDER, GOVERNOR	001
007	16521-805-010	SLIDER, GOVERNOR	001
007	16521-805-040	SLIDER, GOVERNOR	001
008	16523-805-000	COLLAR, DISTANCE	004
009	90015-807-640	BOLT, DRAIN PLUG	001
010	90701-200-000	PIN, KNOCK (8.5X11)	(NOT AVAILABLE) 002
011	91201-805-000	OIL SEAL (PJ255510)	001
012	91204-805-003	OIL SEAL (30X65X10)	(NOT AVAILABLE) 001
013	91301-805-000	O-RING (26X2.7)	001
014	91302-KG4-003	O-RING (20X2)	(NOT AVAILABLE) 001
014	91305-703-000	O-RING (20X2.0)	001
015	94109-12000	WASHER, DRAIN PLUG (12MM)	001

Section

ENGINE

Illustration

COVER - GOVERNOR



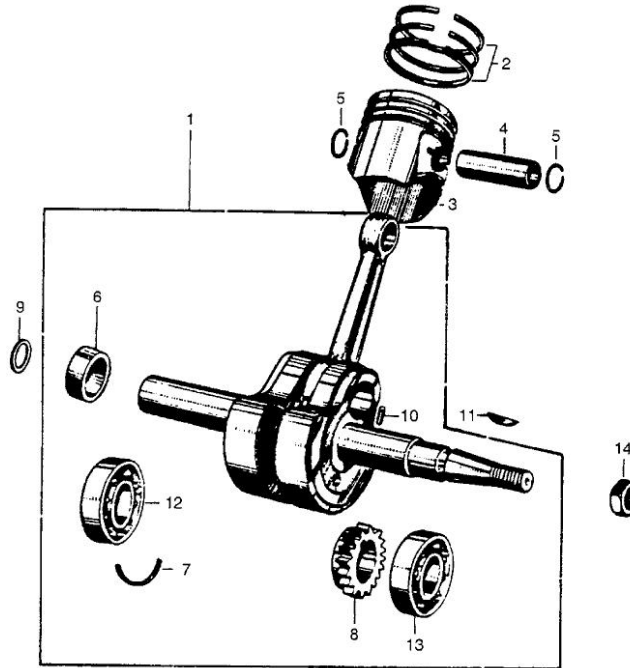
Ref.	Part Number	Part Description		Qty.
001	16535-806-000	SHAFT, GOVERNOR ARM	(NOT AVAILABLE)	001
002	16541-806-000	ARM, GOVERNOR	(NOT AVAILABLE)	001
003	16545-805-010	ROD, GOVERNOR	(NOT AVAILABLE)	001
004	16551-806-000	SPRING, GOVERNOR		001
005	16560-805-020	NUT, GOVERNOR ADJUSTING	(NOT AVAILABLE)	001
006	19600-805-000C	COVER, FAN *R2*(SCARLET)		001
006	19600-805-010C	COVER, FAN *R2*(SCARLET)	(NOT AVAILABLE)	001
007	19611-805-010C	COVER, SIDE *R2*(SCARLET)		001
007	19611-805-020C	COVER, SIDE *R2*(SCARLET)		001
008	19901-807-000	DEFENDER, SIDE COVER		001
009	28430-805-000	PULLEY, STARTER	(NOT AVAILABLE)	001
010	28470-822-000	ROPE, STARTER (#6X64")	(NOT AVAILABLE)	001
011	32300-805-810	SOCKET ASSY.		001
012	36100-807-000	SWITCH, ENGINE STOP	(NOT AVAILABLE)	001
012	36100-811-000	SWITCH ASSY., ENGINE	(NOT AVAILABLE)	001
013	87101-805-000	EMBLEM		001
014	87521-807-000	PLATE, INSTRUCTION		001
015	92101-06012	BOLT, HEX. (6X12)		004
015	92101-06012-0A	BOLT, HEX. (6X12)		004
016	92101-06016-0A	BOLT, HEX. (6X16)		001
017	93500-05016-0A	SCREW, PAN (5X16)		002
018	94001-05000-0S	NUT, HEX. (5MM)		002
019	94001-06000-0S	NUT, HEX. (6MM)		001
019	94001-06200-0S	NUT, HEX. (6MM)		001
020	94101-05000	WASHER, PLAIN (5MM)		002
021	94101-06800	WASHER, PLAIN (6MM)		004

Section

ENGINE

Illustration

CRANKSHAFT - PISTON



Ref.	Part Number	Part Description	Qty.
001	13000-807-692	CRANKSHAFT ASSY. (N/A: SEE COMPONENTS)	001
002	13011-805-000	RING SET, PISTON (STD) (NOT AVAILABLE)	001
002	13021-805-000	RING SET, PISTON (OVER SIZE) (0.25) (NOT AVAILABLE)	(1)
002	13031-805-000	RING SET, PISTON (OVER SIZE) (0.50)	(1)
002	13041-805-000	RING SET, PISTON (OVER SIZE) (0.75)	(1)
003	13101-805-000	PISTON (STD)	001
003	13102-805-000	PISTON (OVER SIZE) (0.25) (NOT AVAILABLE)	(1)
003	13103-805-000	PISTON (OVER SIZE) (0.50)	(1)
003	13104-805-000	PISTON (OVER SIZE) (0.75)	(1)
004	13111-805-000	PIN, PISTON (NOT AVAILABLE)	001
005	94601-18000	CLIP, PISTON PIN (18MM)	002
006	13325-805-820	COLLAR, CRANKSHAFT (NOT AVAILABLE)	001
007	13491-701-000	RING, BALL BEARING SET (NOT AVAILABLE)	001
008	14311-805-000	GEAR, TIMING	001
009	90534-706-010	WASHER, LOCK (8.5X35X4.5)	001
010	90719-200-000	PIN, TIMING SPROCKET KNOCK (NOT AVAILABLE)	001
011	90741-253-000	KEY, WOODRUFF (NOT AVAILABLE)	001
012	91001-701-000	BEARING, BALL (6305SHS) (NOT AVAILABLE)	001
012	91002-805-000	BEARING, RADIAL BALL (6206SHS) (NOT AVAILABLE)	001
013	91001-805-000	BALL BEARING (62055)	001
014	94001-14000-OS	NUT, HEX. (14MM)	001