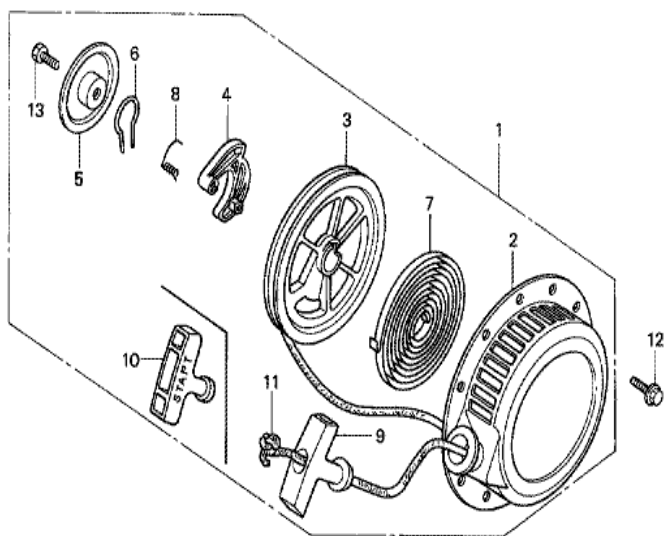


G100K2(VEL4)

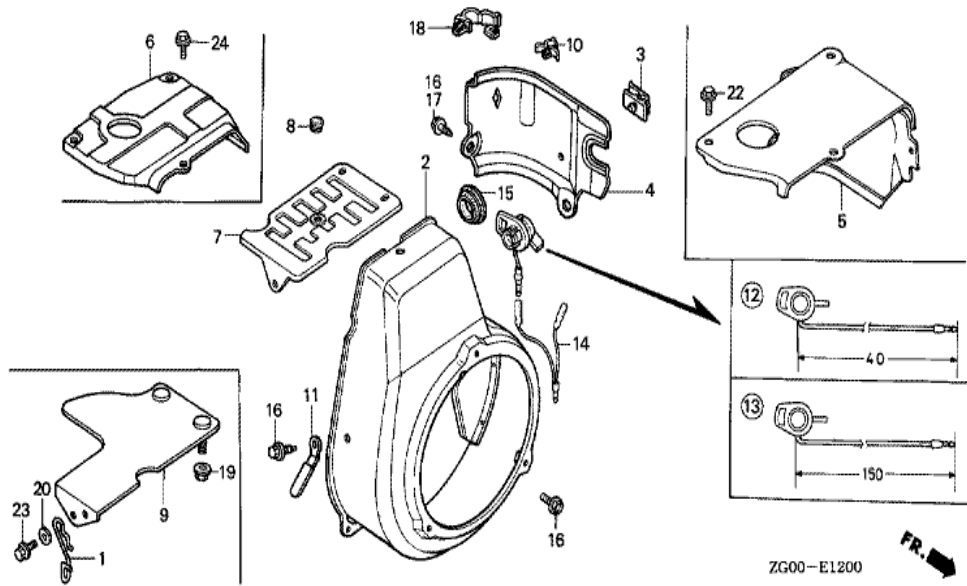
E-11-2 RECOIL STARTER (3)



2G00-E1102

<u>Ref</u>	<u>Partnumber</u>	<u>Description</u>	<u>G100K2</u>	<u>Serial Numbers</u>
001	28400-ZG0-004ZB	STARTER ASSY., RECOIL *R8 *	1	
001	28400-ZG0-004ZG	STARTER ASSY., RECOIL (###) *R280*	1	3468640
002	28410-ZG0-014ZB	CASE COMP., RECOIL STARTER *R8 *	1	1441853
002	28410-ZG0-014ZG	CASE COMP., RECOIL STARTER *R280 *	1	3468640
003	28420-ZG0-004	REEL, RECOIL STARTER	1	3223716
004	28422-896-010	RATCHET, STARTER	1	2357295
005	28431-896-000	PLATE, FRICTION	1	3223716
006	28441-896-000	SPRING, FRICTION	1	2357295
007	28442-ZE6-003	SPRING, RECOIL STARTER	1	3223716
008	28443-896-000	SPRING, RETURN	1	2357295
010	28461-ZH8-003	GRIP, STARTER	1	
011	28462-ZG0-004	ROPE, RECOIL STARTER	1	2357295
012	95701-0600800	BOLT, FLANGE, 6X8	3	2357295
<u>Ref</u>	<u>Partnumber</u>	<u>Description</u>	<u>G100K2</u>	<u>Serial Numbers</u>
013	92101-060120H	BOLT, HEX., 6X12	1	3223716

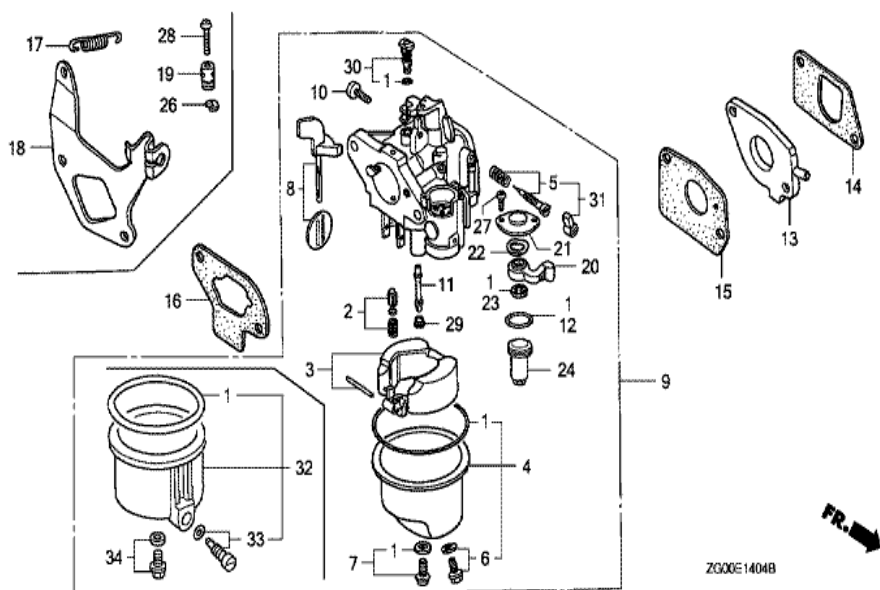
G100K2(VEL4)	E-12 FAN COVER (1)
--------------	--------------------



Ref	Partnumber	Description	G100K2	Serial Numbers
002	19610-ZG0-000ZA	COVER COMP., FAN *R8 *	1	3468618
002	19610-ZG0-000ZG	COVER COMP., FAN (###) *R280 *	1	3468619
003	19613-ZE1-000	CLAMPER, CORD	1	3235501
003	19613-ZE1-010	CLAMP, CORD	1	3235502
003	19613-ZE1-020	CLAMP, CORD	1	3239457
004	19630-ZG0-U00	SHROUD COMP.	1	3239456
004	19630-ZG0-U01	SHROUD COMP.	1	
014	32197-ZH8-003	SUB HARNESS	1	
015	81329-567-020	GROMMET, DRAIN HOLE	1	2406785
016	90013-883-000	BOLT, FLANGE, 6X12 (CT200)	4	
017	90013-883-000	BOLT, FLANGE, 6X12 (CT200)	1	
018	90652-SB2-023	CLIP, TUBE, 7MM	1	

G100K2(VEL4)

E-14-4 CARBURETOR (5)

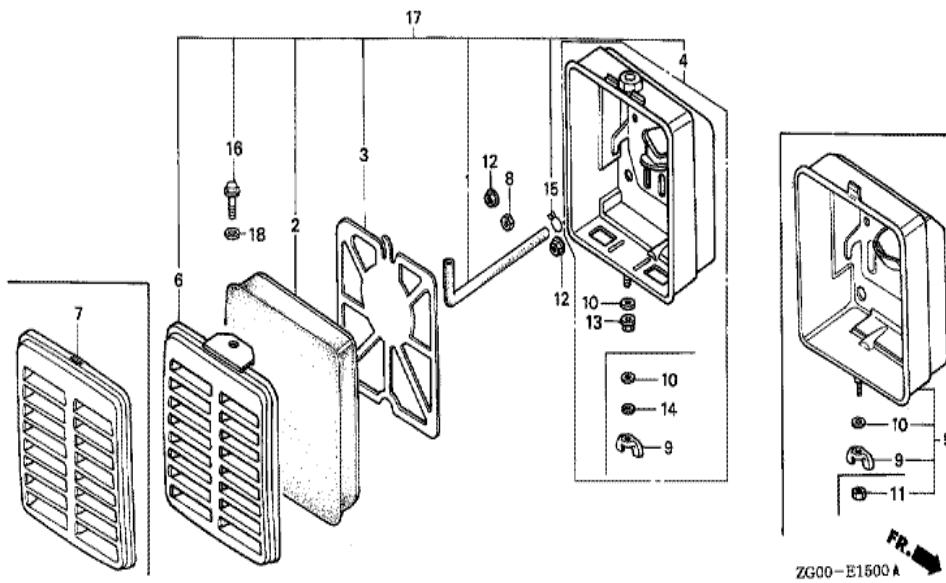


ZG00E1404B

FR. →

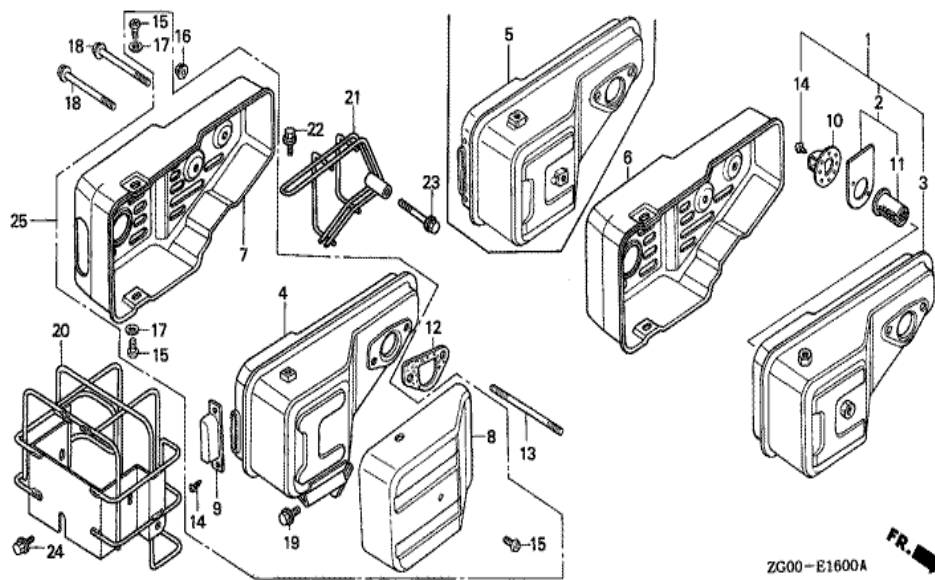
Ref	Partnumber	Description	G100K2	Serial Numbers	
001	16010-ZG0-812	GASKET SET	1		BF11F B
002	16011-ZE0-005	VALVE SET, FLOAT	(1)		
003	16013-ZG0-811	FLOAT SET	(1)		
004	16015-ZG0-811	CHAMBER SET, FLOAT	1		BF11F B
005	16016-ZE0-005	SCREW SET, PILOT	1		BF11C C
006	16024-ZE1-811	SCREW SET, DRAIN	1		BF11F B
007	16028-ZG0-811	SCREW SET	(1)		
008	16044-ZG0-W00	CHOKE SET	(1)		
009	16100-ZG0-W31	CARBURETOR ASSY. (BF11C B)	1	3010391	3123265
009	16100-ZG0-W32	CARBURETOR ASSY. (BF11C C)	1	3123266	3293725
010	16124-ZE0-005	SCREW, THROTTLE STOP	(1)		
011	16166-ZG0-W20	NOZZLE, MAIN	(1)		
012	16173-ZG0-811	O-RING	(1)		
Ref	Partnumber	Description	G100K2	Serial Numbers	
013	16211-ZG0-020	INSULATOR, CARBURETOR	1	2159777	
014	16212-ZG0-800	PACKING, INSULATOR	1	2401126	
015	16221-ZG0-801	PACKING, CARBURETOR	1	2401287	
016	16269-ZG0-800	PACKING, AIR CLEANER	1		
020	16953-ZG0-811	LEVER, COCK	1		BF11C B
020	16953-ZG0-812	LEVER, COCK	1	BF11F B	
021	16954-ZE1-811	PLATE, LEVER SETTING	1		BF11F A
021	16954-ZE1-812	PLATE, LEVER SETTING	1		
022	16956-ZE1-811	SPRING, COCK LEVER	(1)		
023	16957-ZE1-812	PACKING, FUEL COCK	(1)		
024	16967-ZG0-811	CUP, FUEL STRAINER	(1)		
027	93500-030061G	SCREW, PAN, 3X6	2		BF11F A
027	93500-030061H	SCREW, PAN, 3X6	2		
029	99101-1870520	JET, MAIN, #52	(1)		BF11C C
029	99101-1870550	JET, MAIN, #55	1		
029	99101-1870580	JET, MAIN, #58	1		BF11C C
030	99204-ZE20380	JET SET, PILOT, #38	1	BF11C B	BF11C C

G100K2(VEL4)	E-15 AIR CLEANER (1)
--------------	----------------------



Ref	Partnumber	Description	G100K2	Serial Numbers
001	15721-896-010	TUBE, BREATHER	1	
002	17211-896-000	ELEMENT, AIR CLEANER	1	
003	17212-896-000	GRID, AIR CLEANER	1	
005	17220-ZG0-000	CASE COMP., AIR CLEANER	1	
007	17231-ZG0-000	COVER, AIR CLEANER	1	
009	90325-044-000	NUT, TOOL BOX SETTING	1	
010	94101-06000	WASHER, PLAIN, 6MM	1	3104275
012	94050-05000	NUT, FLANGE, 5MM	2	

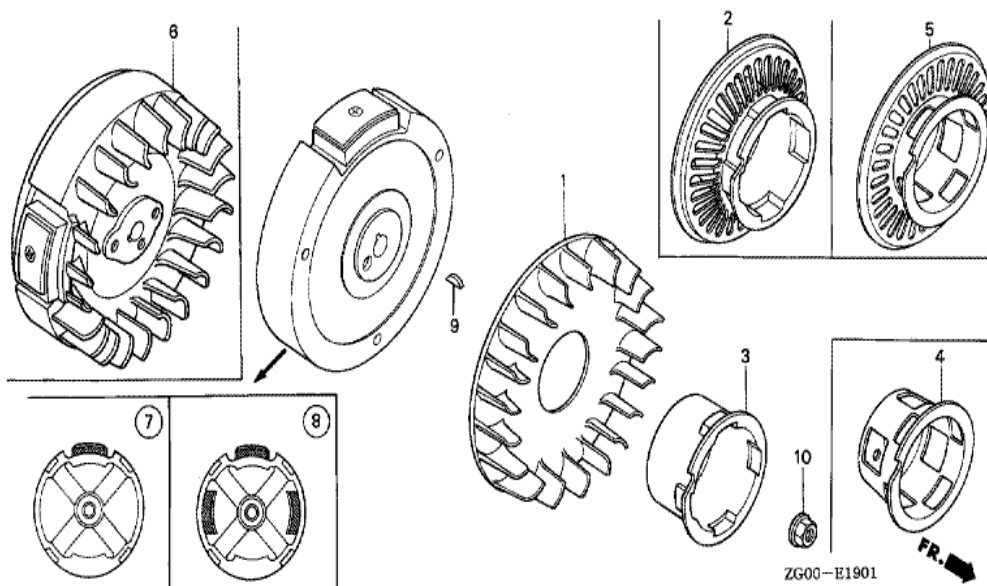
G100K2(VEL4)	E-16 MUFFLER (1)
--------------	------------------



Ref	Partnumber	Description	G100K2	Serial Numbers
012	18381-ZG0-800	GASKET, MUFFLER	1	2376620
013	90045-892-000	BOLT, STUD, 6X28 (CT200)	2	2406785
016	94050-06000	NUT, FLANGE, 6MM	2	

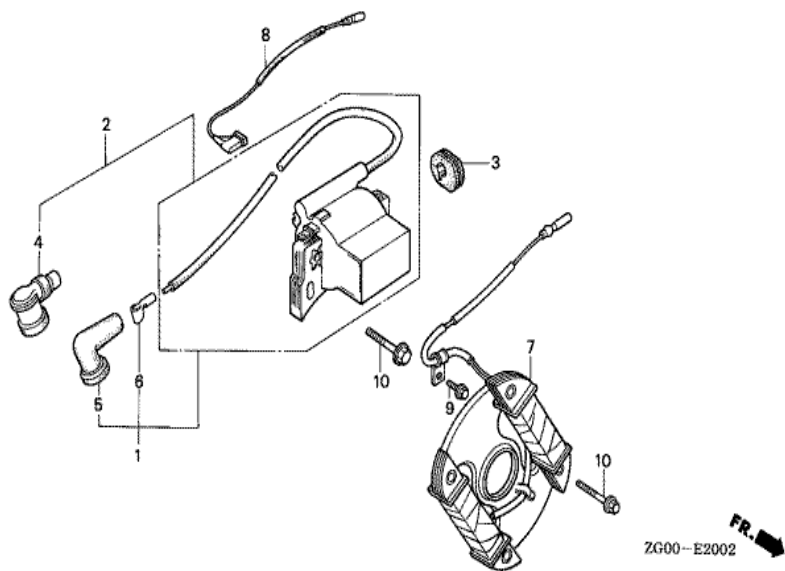
G100K2(VEL4)

E-19-1 FLYWHEEL/COOLING FAN (2)



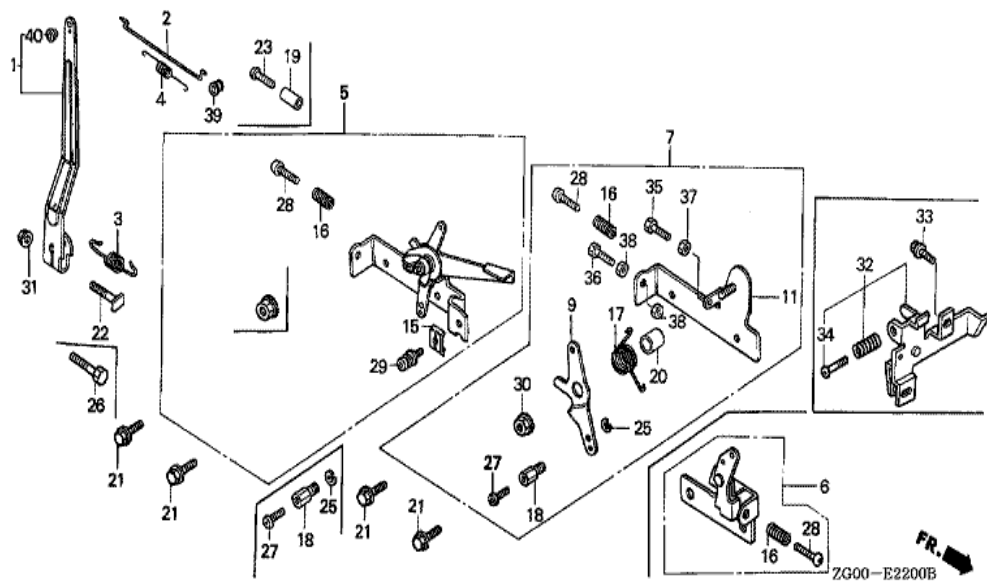
Ref	Partnumber	Description	G100K2	Serial Numbers
001	19511-ZG0-W00	FAN, COOLING	1	
003	28451-ZG1-004	PULLEY, STARTER	(1)	
007	31100-ZG0-010	FLYWHEEL COMP.	1	
009	90741-147-000	KEY, WOODRUFF	1	
010	94050-12000	NUT, FLANGE, 12MM	1	

G100K2(VEL4)	E-20-2 IGNITION COIL (3)
--------------	--------------------------



Ref	Partnumber	Description	G100K2	Serial Numbers
001	30500-ZG0-W01	COIL ASSY., IGNITION	1	
003	30563-ZG0-000	GROMMET, HIGH TENSION CORD	1	
005	30701-888-014	CAP, HIGH TENSION (TOYO) (###)	1	
006	30702-888-003	TERMINAL, PLUG	(1)	
008	36101-ZG0-000	CORD, STOP SWITCH	1	
010	90121-952-000	BOLT, FLANGE, 6X25 (CT200)	(6)	

G100K2(VEL4)	E-22 CONTROL (1)
--------------	------------------

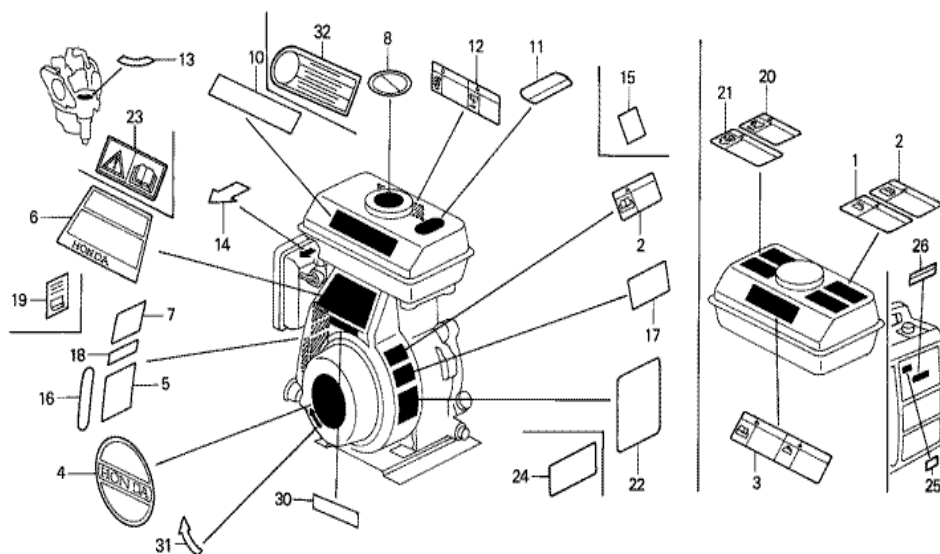


Ref	Partnumber	Description	G100K2	Serial Numbers
001	16551-ZG0-000	ARM, GOVERNOR	1	
002	16555-ZG0-000	ROD, GOVERNOR	1	
003	16561-ZG0-000	SPRING, GOVERNOR	1	
003	16561-ZG0-W00	SPRING, GOVERNOR	1	3143261
004	16562-ZG0-000	SPRING, THROTTLE RETURN	1	3266028
006	16570-ZG0-800	CONTROL COMP.	1	2406785
016	16584-883-300	SPRING, CONTROL ADJUSTING	1	3107357
021	90013-883-000	BOLT, FLANGE, 6X12 (CT200)	2	
022	90015-ZE5-010	BOLT, GOVERNOR ARM	1	
028	93500-050200A	SCREW, PAN, 5X20	(1)	2206176
030	94050-06000	NUT, FLANGE, 6MM	1	3266028
031	94050-06000	NUT, FLANGE, 6MM	1	1955482



G100K2(VEL4)

E-28 LABELS (1)

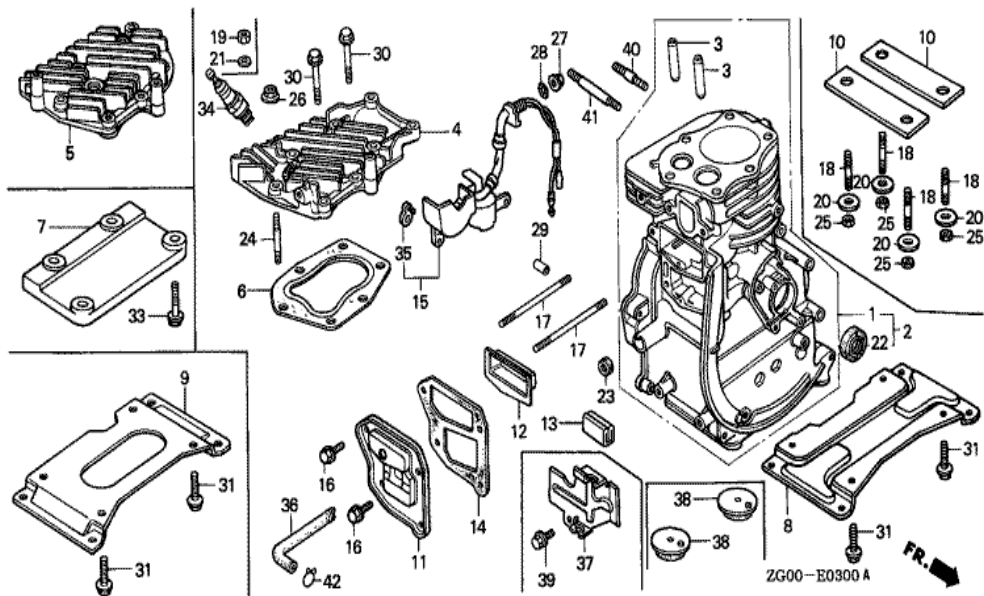


ZG00-E2800

Ref	Partnumber	Description	G100K2	Serial Numbers
013	87528-ZG0-W40	MARK, COCK (EXTERNAL)	1	3152207
014	87528-883-661	MARK, CHOKE	1	3328066
030	87135-ZE2-000	LABEL, E-SPEC (HONDA) (EPA STANDARD) (15	1	3398900

G100K2(VEL4)

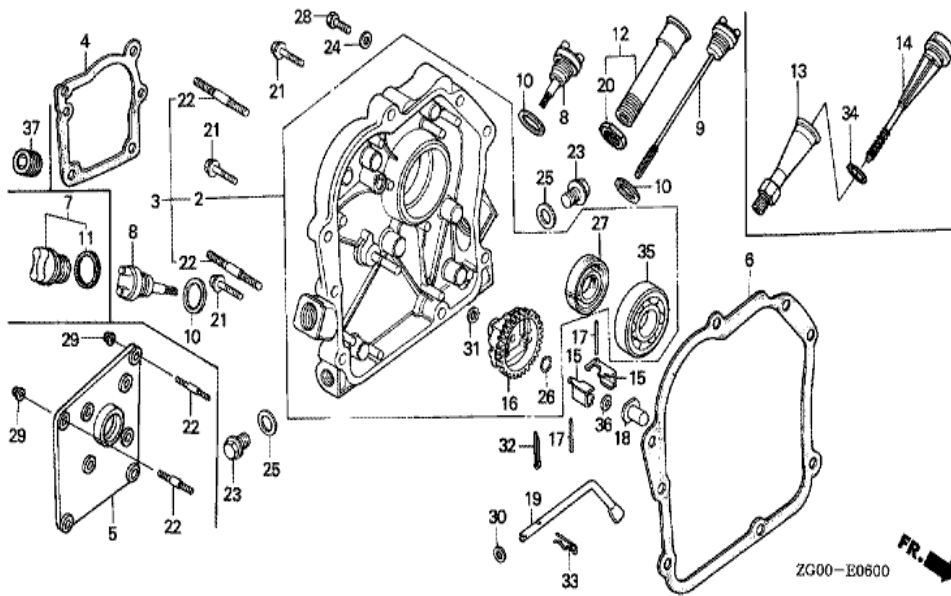
E-3 CYLINDER BARREL/CYLINDER HEAD



Ref	Partnumber	Description	G100K2	Serial Numbers
001	12000-ZG0-D70	BARREL ASSY., CYLINDER	1	
003	12133-896-306	GUIDE, VALVE (O.S.)	(2)	
004	12221-ZG0-030	HEAD, CYLINDER	1	
006	12281-ZC0-003	GASKET, CYLINDER HEAD	1	
008	12351-ZG0-000	BED, ENGINE (STD.)	1	1443596
011	12361-ZG0-000	COVER, TAPPET ROOM	1	3141519
012	12370-ZG0-000	SEPARATOR COMP., INNER	1	
014	12375-ZG0-010	GASKET, TAPPET COVER	1	
015	15510-ZG0-U01	SWITCH ASSY., OIL LEVEL	1	
016	90002-892-000	BOLT, FLANGE, 5X10	4	
017	90041-896-000	BOLT, STUD, 5X80	2	3047225
022	91202-892-003	OIL SEAL, 17X30X6 (ARAI)	1	
022	91202-892-004	OIL SEAL, 17X30X6 (NOK)	1	
Ref	Partnumber	Description	G100K2	Serial Numbers
023	91231-816-000	OIL SEAL, 5X10X4	1	
027	94050-10000	NUT, FLANGE, 10MM	1	
028	91353-671-003	O-RING, 13.5X1.5 (ARAI)	1	
029	94301-08140	DOWEL PIN, 8X14	2	
030	95818-0603500	BOLT, FLANGE, 6X35	4	
031	95701-0801800	BOLT, FLANGE, 8X18	4	3275670
034	98073-54776	PLUG, SPARK (BPMR4A) (NGK)	1	3152207
035	15512-ZC0-000	BUSH, LEVEL SWITCH	2	

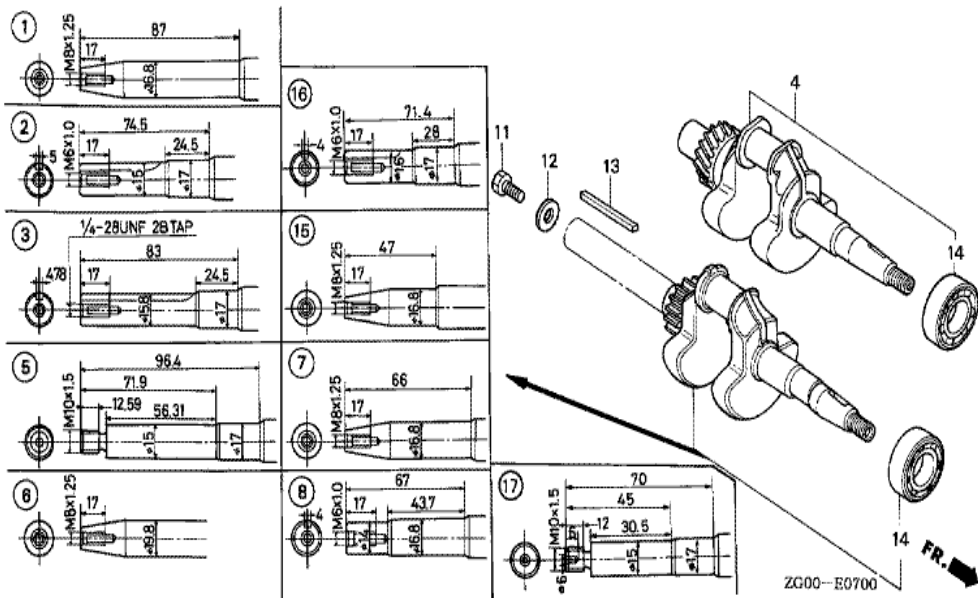
G100K2(VEL4)

E-6 CRANKCASE COVER (1)



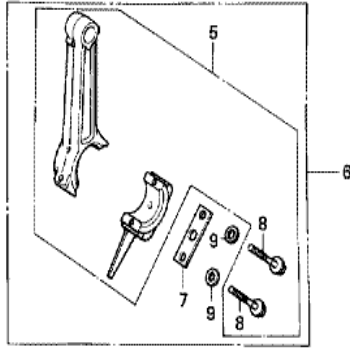
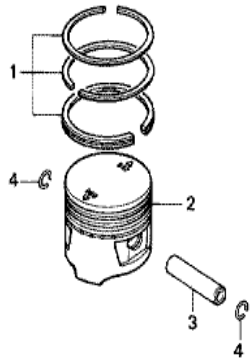
Ref	Partnumber	Description	G100K2	Serial Numbers
002	11300-ZG0-631	COVER ASSY., CRANKCASE	1	
006	11381-ZG0-800	PACKING, CASE COVER	1	
007	15600-ZG4-003	CAP ASSY., OIL FILLER	1	
008	15620-ZG0-003	CAP, OIL FILLER	1	
010	15625-ZG0-000	PACKING, OIL FILLER CAP	1	
011	15625-ZE1-003	PACKING, OIL FILLER CAP	1	
015	16511-896-000	WEIGHT, GOVERNOR	2	
016	16512-ZG0-000	HOLDER, GOVERNOR WEIGHT	1	1443596
017	16513-ZE1-000	PIN, GOVERNOR WEIGHT	2	
018	16531-ZG0-000	SLIDER, GOVERNOR	1	1443596
019	16541-896-000	SHAFT, GOVERNOR ARM	1	
021	90015-883-000	BOLT, FLANGE, 6X28 (CT200)	6	
023	90131-ZE1-000	BOLT, DRAIN PLUG	2	
Ref	Partnumber	Description	G100K2	Serial Numbers
025	90601-ZE1-000	WASHER, DRAIN PLUG, 10.2MM	2	
026	90602-ZE1-000	CLIP, GOVERNOR HOLDER	1	
027	91202-892-004	OIL SEAL, 17X30X6 (NOK)	1	
030	94101-05000	WASHER, PLAIN, 5MM	1	
031	94101-06000	WASHER, PLAIN, 6MM	1	
033	94251-08000	PIN, LOCK, 8MM	1	
035	96100-6203000	BEARING, RADIAL BALL, 6203	1	

G100K2(VEL4)	E-7 CRANKSHAFT
--------------	----------------



Ref	Partnumber	Description	G100K2	Serial Numbers
007	13310-ZG0-910	CRANKSHAFT COMP.	1	2335493
014	96100-6203000	BEARING, RADIAL BALL, 6203	1	

G100K2(VEL4)	E-8 PISTON
--------------	------------

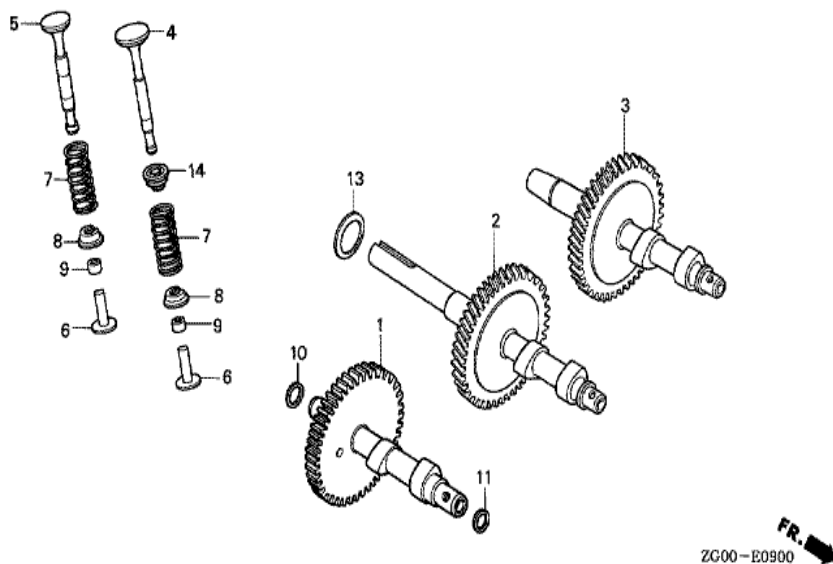


ZG00-E0800

Ref	Partnumber	Description	G100K2	Serial Numbers
001	13010-ZC0-003	RING SET, PISTON (STD.)	1	
001	13011-ZC0-003	RING SET, PISTON (0.25)	(1)	
001	13012-ZC0-003	RING SET, PISTON (0.50)	(1)	
001	13013-ZC0-003	RING SET, PISTON (0.75)	(1)	
002	13101-ZC0-003	PISTON (STD.)	1	
002	13102-ZC0-003	PISTON (0.25)	(1)	
002	13103-ZC0-003	PISTON (0.50)	(1)	
002	13104-ZC0-003	PISTON (0.75)	(1)	
003	13111-892-000	PIN, PISTON	1	
004	13115-147-000	CLIP, PISTON PIN, 10MM	2	
005	13200-ZA7-000	ROD ASSY., CONNECTING	1	
008	90001-ZG0-000	BOLT, CONNECTING ROD	2	1443596

G100K2(VEL4)

E-9 CAMSHAFT



<u>Ref</u>	<u>Partnumber</u>	<u>Description</u>	<u>G100K2</u>	<u>Serial Numbers</u>
001	14111-ZC0-000	CAMSHAFT COMP.	1	2346140
004	14711-ZG1-000	VALVE, IN.	1	3293725
005	14721-ZG1-000	VALVE, EX.	1	
006	14732-ZC0-000	LIFTER, VALVE	2	2063202
007	14751-896-000	SPRING, VALVE	2	
008	14771-ZG0-000	RETAINER, VALVE SPRING	2	1443596
009	14801-892-000	ADJUSTER, TAPPET CLEARANCE (3.15)	2	
009	14803-892-000	ADJUSTER, TAPPET CLEARANCE (3.25)	2	
009	14806-892-000	ADJUSTER, TAPPET CLEARANCE (3.34)	2	
009	14809-892-000	ADJUSTER, TAPPET CLEARANCE (3.43)	2	
009	14812-892-000	ADJUSTER, TAPPET CLEARANCE (3.52)	2	
009	14815-892-000	ADJUSTER, TAPPET CLEARANCE (3.61)	2	
009	14818-892-000	ADJUSTER, TAPPET CLEARANCE (3.72)	2	
<u>Ref</u>	<u>Partnumber</u>	<u>Description</u>	<u>G100K2</u>	<u>Serial Numbers</u>
009	14820-892-000	ADJUSTER, TAPPET CLEARANCE (3.82)	2	
010	90452-ZG0-000	WASHER, 12MM	1	
011	90452-ZG0-000	WASHER, 12MM	1	