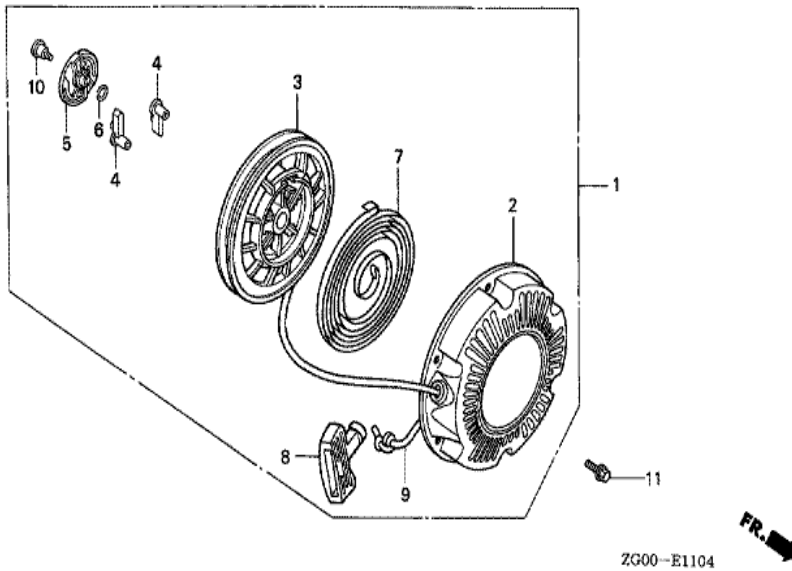


FR. →
2G00-E1102

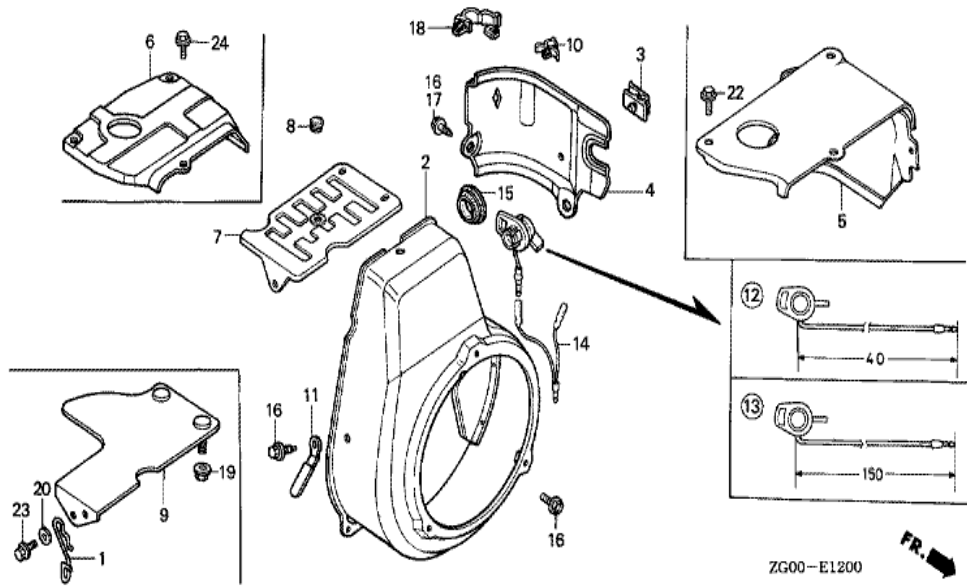
| Ref | Partnumber | Description | G100K2 | Serial Numbers |
|-----|---------------|-------------------|--------|----------------|
| 012 | 95701-0600800 | BOLT, FLANGE, 6X8 | 3 | 2357295 |



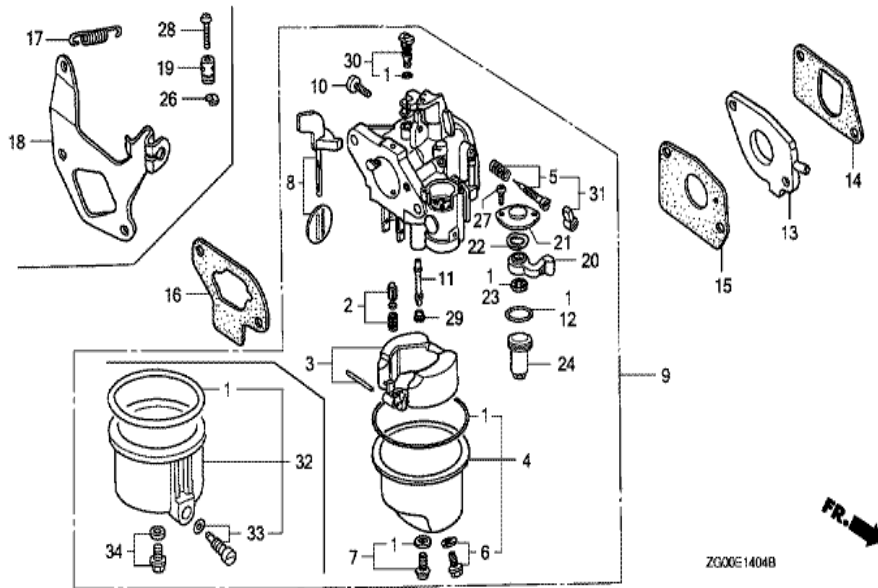
ZG00-E1104



| Ref | Partnumber | Description | G100K2 | Serial Numbers |
|-----|-----------------|----------------------------------|--------|-----------------|
| 001 | 28400-ZG0-W02ZC | STARTER ASSY., RECOIL *R8 * | 1 | |
| 002 | 28410-ZG0-W02ZC | CASE COMP., RECOIL STARTER *R8 * | 1 | 3223717 3468618 |
| 003 | 28421-ZG0-W02 | REEL, RECOIL STARTER | 1 | 3223717 |
| 004 | 28422-ZG0-W02 | RATCHET, STARTER | 2 | 3223717 |
| 005 | 28433-ZG0-W02 | GUIDE, RATCHET | 1 | 3223717 |
| 006 | 28441-ZH8-003 | SPRING, FRICTION | 1 | |
| 007 | 28442-ZH8-003 | SPRING, RECOIL STARTER | 1 | 3223717 |
| 008 | 28461-ZG0-W02 | GRIP, STARTER | 1 | 3223717 |
| 009 | 28462-ZG0-W02 | ROPE, RECOIL STARTER | 1 | 3223717 |
| 010 | 90003-ZH8-003 | SCREW, SETTING | 1 | 3223717 |
| 011 | 95701-0600800 | BOLT, FLANGE, 6X8 | 3 | |

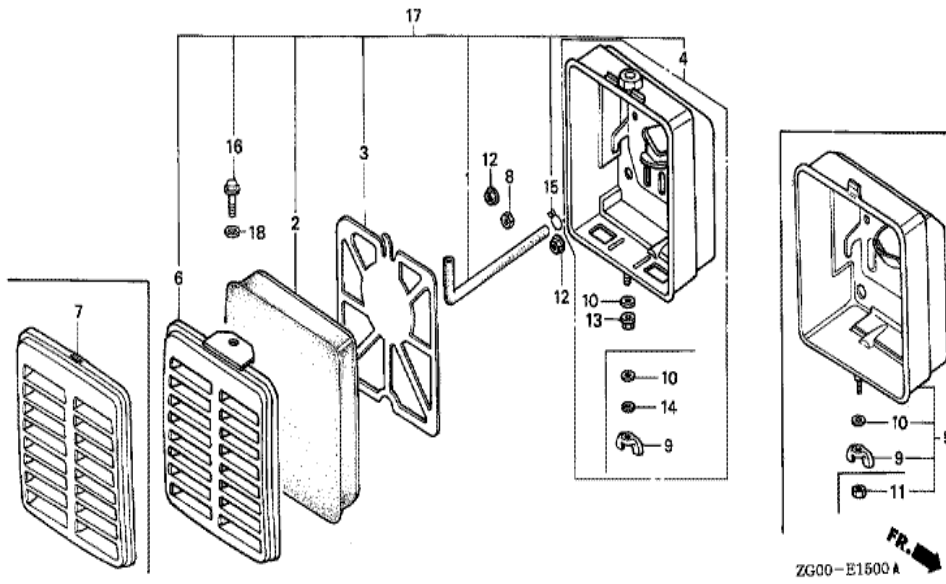


| Ref | Partnumber | Description | G100K2 | Serial Numbers |
|-----|-----------------|----------------------------|--------|----------------|
| 002 | 19610-ZG0-000ZA | COVER COMP., FAN *R8 * | 1 | 3468618 |
| 004 | 19631-ZG0-000 | SHROUD | 1 | |
| 012 | 36100-ZE1-015 | SWITCH ASSY., ENGINE STOP | 1 | |
| 016 | 90013-883-000 | BOLT, FLANGE, 6X12 (CT200) | 4 | |
| 017 | 90013-883-000 | BOLT, FLANGE, 6X12 (CT200) | 1 | |
| 018 | 90652-SB2-023 | CLIP, TUBE, 7MM | 1 | |

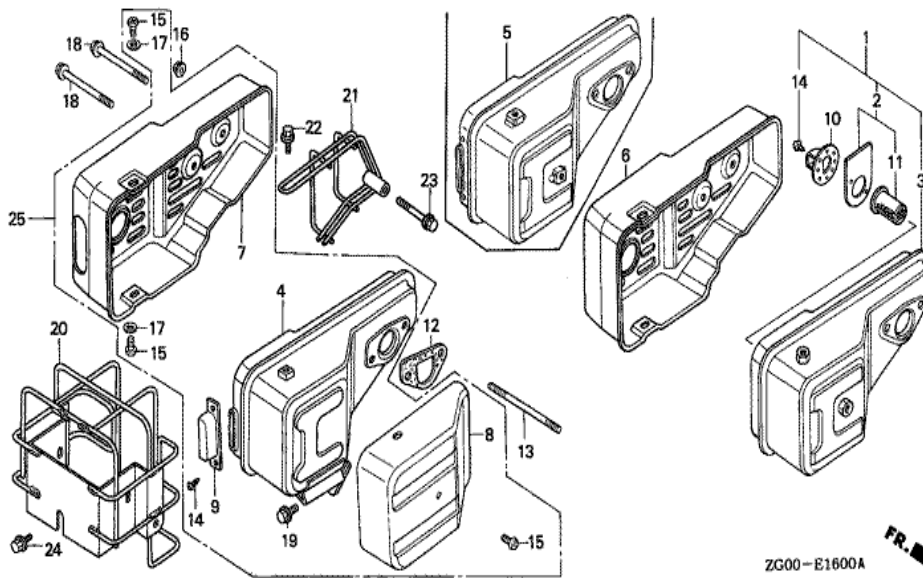


| Ref | Partnumber | Description | G100K2 | Serial Numbers |
|-----|---------------|----------------------------|--------|-----------------|
| 001 | 16010-ZG0-812 | GASKET SET | 1 | BF11F B |
| 002 | 16011-ZE0-005 | VALVE SET, FLOAT | (1) | |
| 003 | 16013-ZG0-811 | FLOAT SET | (1) | |
| 004 | 16015-ZG0-811 | CHAMBER SET, FLOAT | 1 | BF11F B |
| 005 | 16016-ZE0-005 | SCREW SET, PILOT | 1 | BF11C C |
| 006 | 16024-ZE1-811 | SCREW SET, DRAIN | 1 | BF11F B |
| 007 | 16028-ZG0-811 | SCREW SET | (1) | |
| 008 | 16044-ZG0-W00 | CHOKE SET | (1) | |
| 009 | 16100-ZG0-W02 | CARBURETOR ASSY. (BF11B B) | 1 | 3293726 |
| 009 | 16100-ZG0-W32 | CARBURETOR ASSY. (BF11C C) | 1 | 3123266 3293725 |
| 010 | 16124-ZE0-005 | SCREW, THROTTLE STOP | (1) | |
| 011 | 16166-ZG0-W01 | NOZZLE, MAIN | 1 | BF11B B |
| 011 | 16166-ZG0-W20 | NOZZLE, MAIN | (1) | |

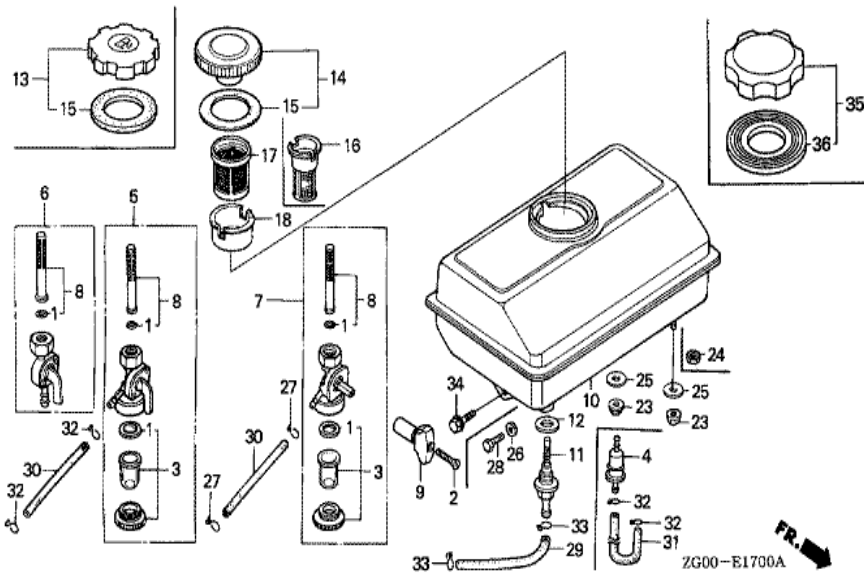
| <u>Ref</u> | <u>Partnumber</u> | <u>Description</u> | <u>G100K2</u> | <u>Serial Numbers</u> |
|------------|-------------------|-----------------------|---------------|-----------------------|
| 012 | 16173-ZG0-811 | O-RING | (1) | |
| 013 | 16211-ZG0-020 | INSULATOR, CARBURETOR | 1 | 2159777 |
| 014 | 16212-ZG0-800 | PACKING, INSULATOR | 1 | 2401126 |
| 015 | 16221-ZG0-801 | PACKING, CARBURETOR | 1 | 2401287 |
| 016 | 16269-ZG0-800 | PACKING, AIR CLEANER | 1 | |
| 020 | 16953-ZG0-812 | LEVER, COCK | 1 | BF11F B |
| 021 | 16954-ZE1-812 | PLATE, LEVER SETTING | 1 | |
| 022 | 16956-ZE1-811 | SPRING, COCK LEVER | (1) | |
| 023 | 16957-ZE1-812 | PACKING, FUEL COCK | (1) | |
| 024 | 16967-ZG0-811 | CUP, FUEL STRAINER | (1) | |
| 026 | 90605-230-000 | CIRCLIP, 5MM | (1) | |
| 027 | 93500-030061H | SCREW, PAN, 3X6 | 2 | |
| 029 | 99101-1870520 | JET, MAIN, #52 | (1) | BF11C C |
| 029 | 99101-1870550 | JET, MAIN, #55 | 1 | |
| 029 | 99101-1870580 | JET, MAIN, #58 | 1 | BF11C C |
| 029 | 99101-ZG00500 | JET, MAIN, #50 | (1) | BF11B B |
| 029 | 99101-ZG00520 | JET, MAIN, #52 | (1) | BF11B B |
| 029 | 99101-ZG00550 | JET, MAIN, #55 | 1 | |
| 030 | 99204-ZE00350 | JET SET, PILOT, #35 | (1) | |
| 030 | 99204-ZE20380 | JET SET, PILOT, #38 | 1 | BF11C B BF11C C |
| 031 | 16016-ZG0-W00 | SCREW SET | 1 | BF11B B |



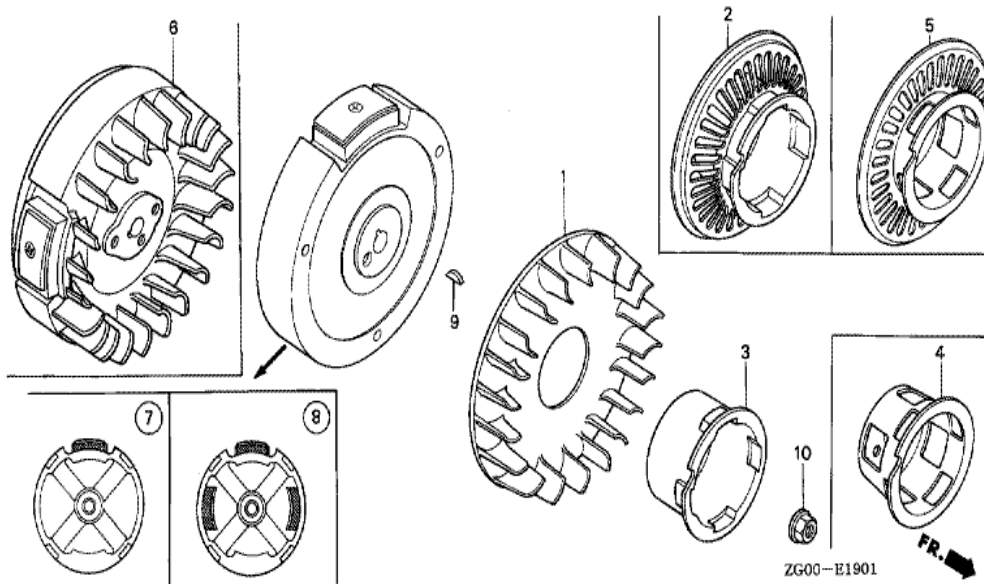
| Ref | Partnumber | Description | G100K2 | Serial Numbers |
|-----|---------------|-------------------------|--------|----------------|
| 001 | 15721-896-010 | TUBE, BREATHER | 1 | |
| 002 | 17211-896-000 | ELEMENT, AIR CLEANER | 1 | |
| 003 | 17212-896-000 | GRID, AIR CLEANER | 1 | |
| 005 | 17220-ZG0-000 | CASE COMP., AIR CLEANER | 1 | |
| 007 | 17231-ZG0-000 | COVER, AIR CLEANER | 1 | |
| 009 | 90325-044-000 | NUT, TOOL BOX SETTING | 1 | |
| 010 | 94101-06000 | WASHER, PLAIN, 6MM | 1 | 3104275 |
| 012 | 94050-05000 | NUT, FLANGE, 5MM | 2 | |



| Ref | Partnumber | Description | G100K2 | Serial Numbers |
|-----|---------------|--------------------------------|--------|----------------|
| 005 | 18310-ZG0-810 | MUFFLER COMP. (WITH PROTECTOR) | 1 | 2384369 |
| 007 | 18320-ZG0-000 | PROTECTOR, MUFFLER | (1) | |
| 008 | 18321-896-000 | SEPARATOR, MUFFLER | (1) | |
| 012 | 18381-ZG0-800 | GASKET, MUFFLER | 1 | 2376620 |
| 013 | 90046-ZG0-000 | BOLT, STUD, 6X50 | 2 | |
| 015 | 93500-060060A | SCREW, PAN, 6X6 | (3) | |
| 016 | 94050-06000 | NUT, FLANGE, 6MM | 2 | |

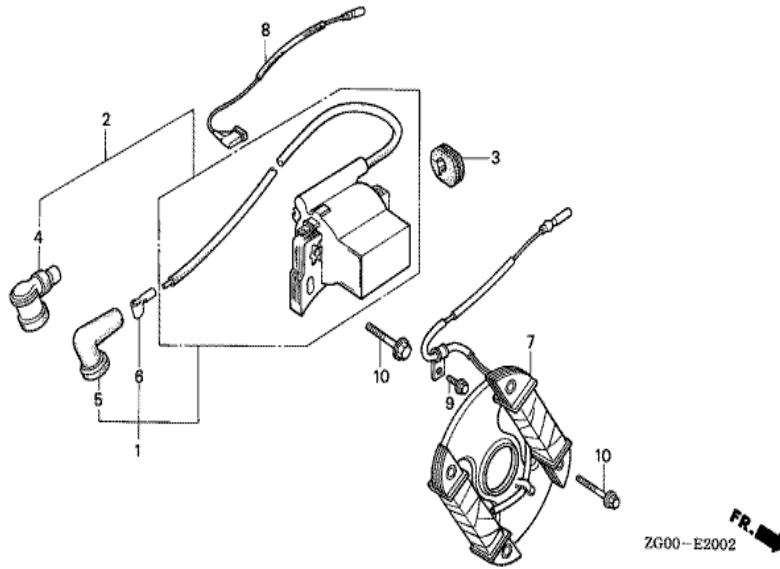


| Ref | Partnumber | Description | G100K2 | Serial Numbers |
|-----|-----------------|--------------------------------------|--------|-----------------|
| 010 | 17510-ZG0-W00ZA | TANK COMP., FUEL *NH31 * | 1 | |
| 011 | 16955-ZE1-000 | JOINT, FUEL TANK | 1 | 2418300 |
| 013 | 17620-ZH7-023 | CAP COMP., FUEL FILLER (BLACK) | 1 | 3204738 3468618 |
| 015 | 17631-ZH7-003 | PACKING, FUEL FILLER CAP (39X58X3) | 1 | 3015990 3468618 |
| 016 | 17672-ZE2-W01 | FILTER, FUEL | 1 | |
| 023 | 94050-06000 | NUT, FLANGE, 6MM | 2 | |
| 029 | 95001-4505540 | TUBE, FUEL, 4.5X55 (95001-45001-60M) | 1 | |
| 033 | 95002-02080 | CLIP, TUBE (B8) | 2 | |
| 034 | 95701-0601400 | BOLT, FLANGE, 6X14 | 1 | |



ZG00-E1901

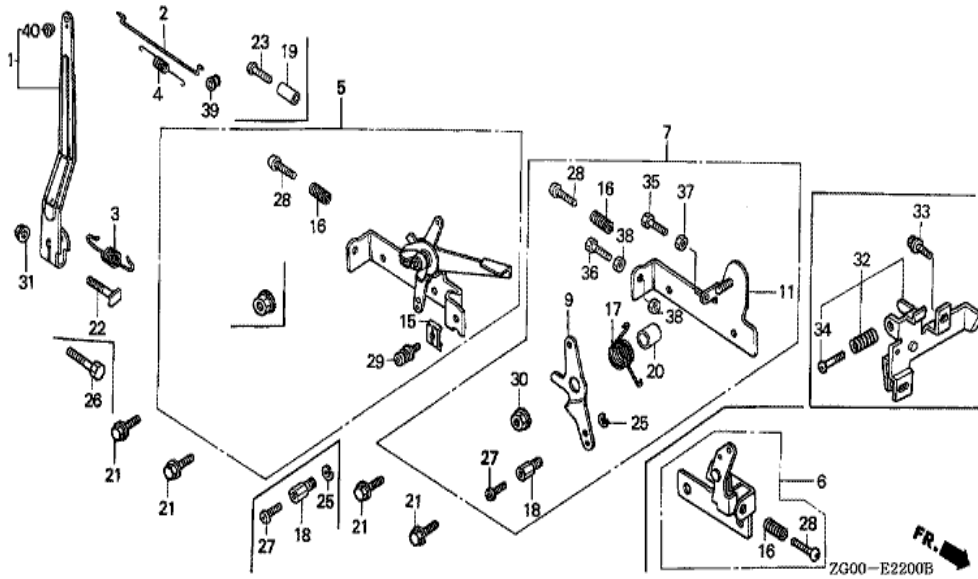
| Ref | Partnumber | Description | G100K2 | Serial Numbers |
|-----|---------------|-------------------|--------|----------------|
| 001 | 19511-ZG0-W00 | FAN, COOLING | 1 | |
| 007 | 31100-ZG0-010 | FLYWHEEL COMP. | 1 | |
| 009 | 90741-147-000 | KEY, WOODRUFF | 1 | |
| 010 | 94050-12000 | NUT, FLANGE, 12MM | 1 | |



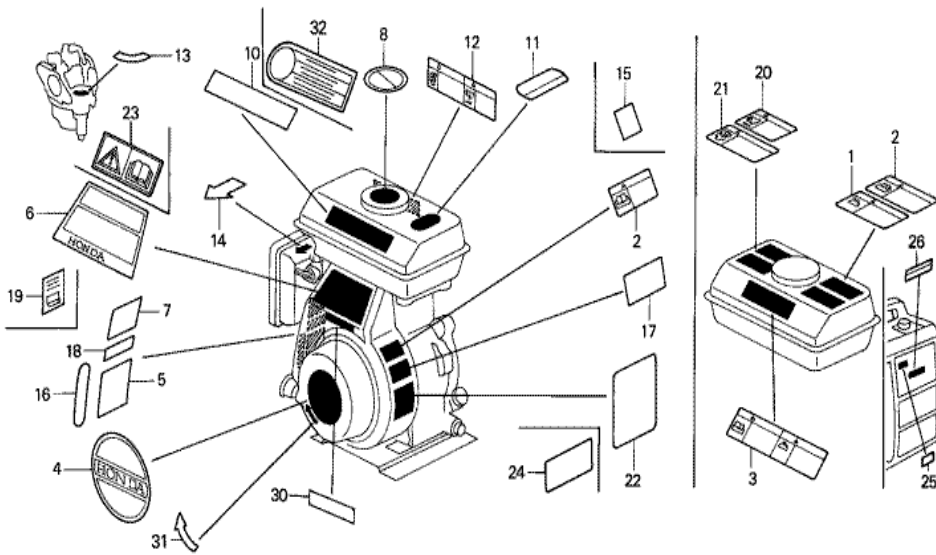
ZG00-E2002



| Ref | Partnumber | Description | G100K2 | Serial Numbers |
|-----|---------------|--------------------------------|--------|----------------|
| 001 | 30500-ZG0-W01 | COIL ASSY., IGNITION | 1 | |
| 003 | 30563-ZG0-000 | GROMMET, HIGH TENSION CORD | 1 | |
| 005 | 30701-888-014 | CAP, HIGH TENSION (TOYO) (###) | 1 | |
| 006 | 30702-888-003 | TERMINAL, PLUG | (1) | |
| 008 | 36101-ZG0-000 | CORD, STOP SWITCH | 1 | |
| 010 | 90121-952-000 | BOLT, FLANGE, 6X25 (CT200) | (6) | |

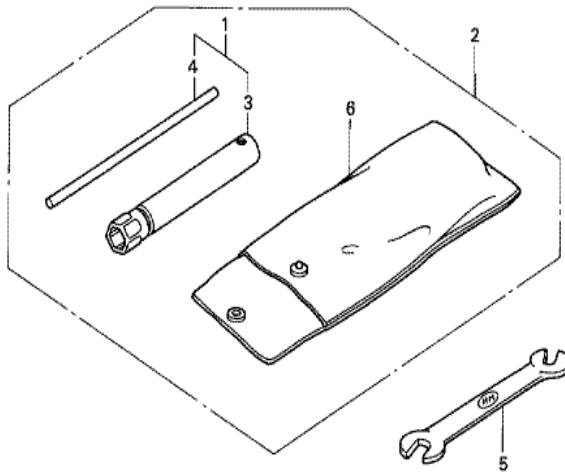


| <u>Ref</u> | <u>Partnumber</u> | <u>Description</u> | <u>G100K2</u> | <u>Serial Numbers</u> |
|------------|-------------------|------------------------------|---------------|-----------------------|
| 001 | 16551-ZG0-000 | ARM, GOVERNOR | 1 | |
| 002 | 16555-ZG0-000 | ROD, GOVERNOR | 1 | |
| 003 | 16561-ZG0-000 | SPRING, GOVERNOR | 1 | |
| 004 | 16562-ZG0-000 | SPRING, THROTTLE RETURN | 1 | 3266028 |
| 007 | 16570-ZG0-810 | CONTROL ASSY. (REMOTE) | (1) | 1443596 |
| 009 | 16571-ZG0-810 | LEVER, CONTROL (REMOTE) | 1 | 1443596 |
| 011 | 16572-ZG0-810 | BASE COMP., CONTROL (REMOTE) | (1) | |
| 016 | 16584-883-300 | SPRING, CONTROL ADJUSTING | 1 | 3107357 |
| 017 | 16592-896-610 | SPRING, RETURN | (1) | |
| 018 | 16594-883-010 | HOLDER, WIRE | 1 | 3266028 |
| 020 | 91552-ZG0-810 | COLLAR, CONTROL LEVER | 1 | 1443596 |
| 021 | 90013-883-000 | BOLT, FLANGE, 6X12 (CT200) | 2 | |
| 022 | 90015-ZE5-010 | BOLT, GOVERNOR ARM | 1 | |
| <u>Ref</u> | <u>Partnumber</u> | <u>Description</u> | <u>G100K2</u> | <u>Serial Numbers</u> |
| 025 | 90605-230-000 | CIRCLIP, 5MM | 1 | 3266028 |
| 027 | 93500-040060H | SCREW, PAN, 4X6 | (1) | |
| 030 | 94050-06000 | NUT, FLANGE, 6MM | 1 | 3266028 |
| 031 | 94050-06000 | NUT, FLANGE, 6MM | 1 | 1955482 |



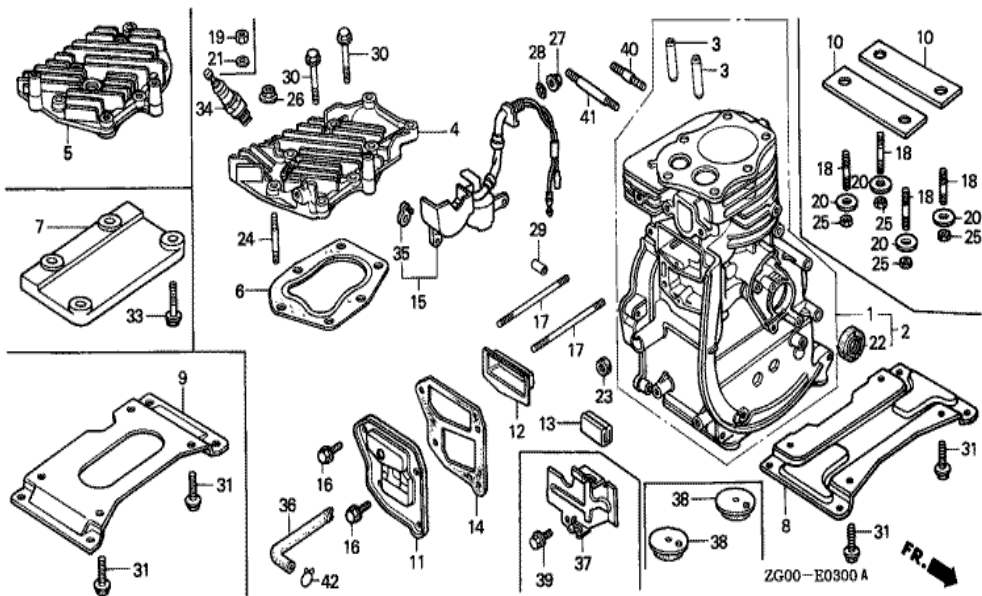
ZG00-E2800

| Ref | Partnumber | Description | G100K2 | Serial Numbers |
|-----|---------------|--|--------|-----------------|
| 003 | 87520-ZH8-000 | MARK A, COMBINATION (JAPANESE) | 1 | 3089251 |
| 004 | 87521-ZG0-W50 | EMBLEM | 1 | |
| 012 | 87526-ZH8-000 | MARK B, COMBINATION (JAPANESE) | 1 | 3088708 3211208 |
| 013 | 87528-ZG0-000 | MARK, COCK | (1) | |
| 014 | 87528-883-000 | MARK, CHOKE (JAPANESE) | (1) | |
| 024 | 87530-ZG0-W00 | LABEL, SPECIFICATION (INTERNAL) | 1 | 3223717 3457753 |
| 030 | 87135-ZE2-000 | LABEL, E-SPEC (HONDA) (EPA STANDARD) (15 | 1 | 3398900 |

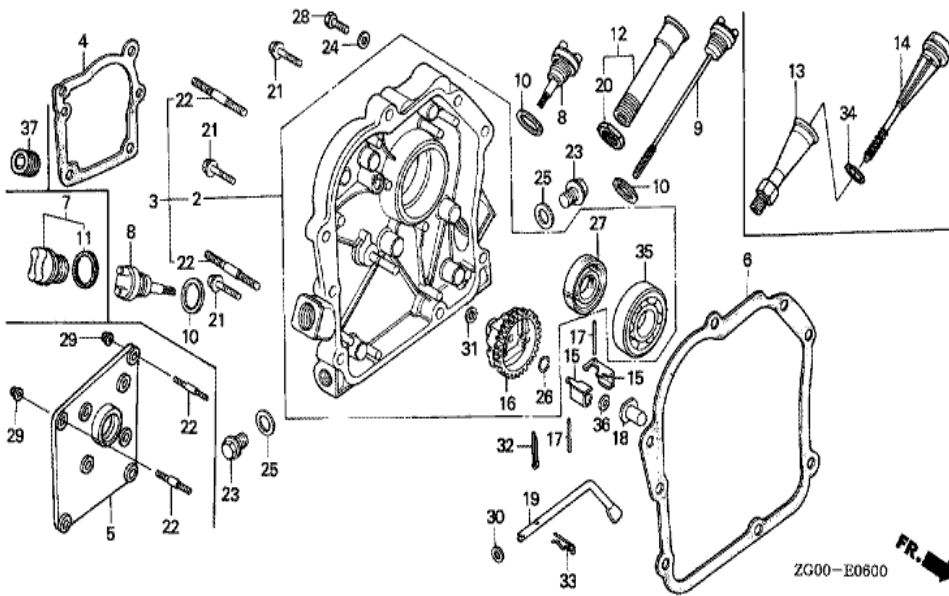


ZG00-E2900

| Ref | Partnumber | Description | G100K2 | Serial Numbers |
|-----|---------------|--------------------|--------|----------------|
| 003 | 89216-888-000 | WRENCH, SPARK PLUG | 1 | 3358410 |



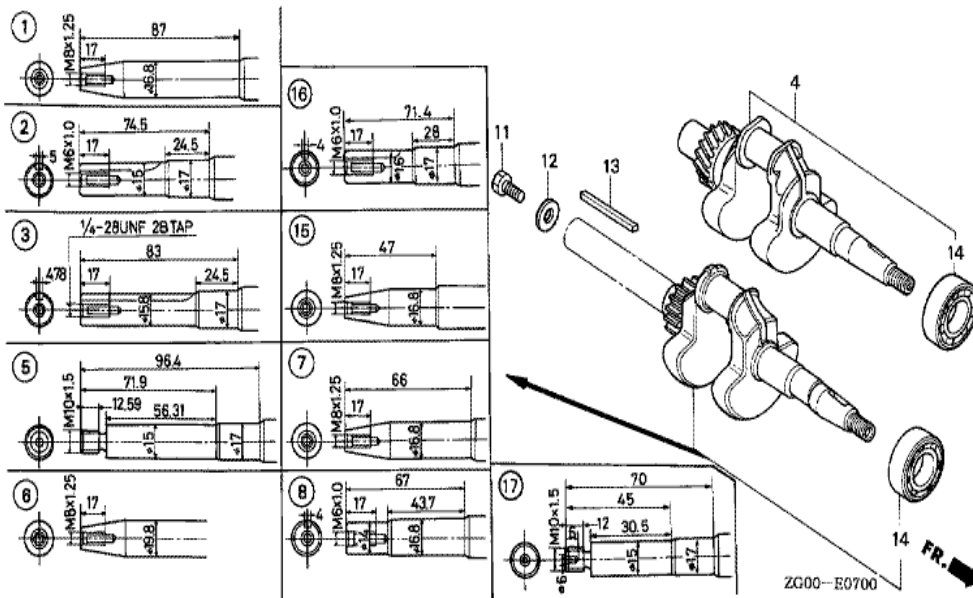
| <u>Ref</u> | <u>Partnumber</u> | <u>Description</u> | <u>G100K2</u> | <u>Serial Numbers</u> |
|------------|-------------------|----------------------------|---------------|-----------------------|
| 002 | 12000-ZG0-020 | BARREL ASSY., CYLINDER | 1 | |
| 003 | 12133-896-306 | GUIDE, VALVE (O.S.) | (2) | |
| 004 | 12221-ZG0-030 | HEAD, CYLINDER | 1 | |
| 006 | 12281-ZC0-003 | GASKET, CYLINDER HEAD | 1 | |
| 008 | 12351-ZG0-000 | BED, ENGINE (STD.) | 1 | 1443596 |
| 011 | 12361-ZG0-000 | COVER, TAPPET ROOM | 1 | 3141519 |
| 012 | 12370-ZG0-000 | SEPARATOR COMP., INNER | 1 | |
| 014 | 12375-ZG0-010 | GASKET, TAPPET COVER | 1 | |
| 016 | 90002-892-000 | BOLT, FLANGE, 5X10 | 4 | |
| 017 | 90041-896-000 | BOLT, STUD, 5X80 | 2 | 3047225 |
| 022 | 91202-892-003 | OIL SEAL, 17X30X6 (ARAI) | 1 | |
| 022 | 91202-892-004 | OIL SEAL, 17X30X6 (NOK) | 1 | |
| 023 | 91231-816-000 | OIL SEAL, 5X10X4 | 1 | |
| <u>Ref</u> | <u>Partnumber</u> | <u>Description</u> | <u>G100K2</u> | <u>Serial Numbers</u> |
| 029 | 94301-08140 | DOWEL PIN, 8X14 | 2 | |
| 030 | 95818-0603500 | BOLT, FLANGE, 6X35 | 4 | |
| 031 | 95701-0801800 | BOLT, FLANGE, 8X18 | 4 | 3275670 |
| 034 | 98073-54771 | PLUG, SPARK (BPM4A) (NGK) | 1 | 3293725 |
| 034 | 98073-54776 | PLUG, SPARK (BPMR4A) (NGK) | 1 | 3152207 |



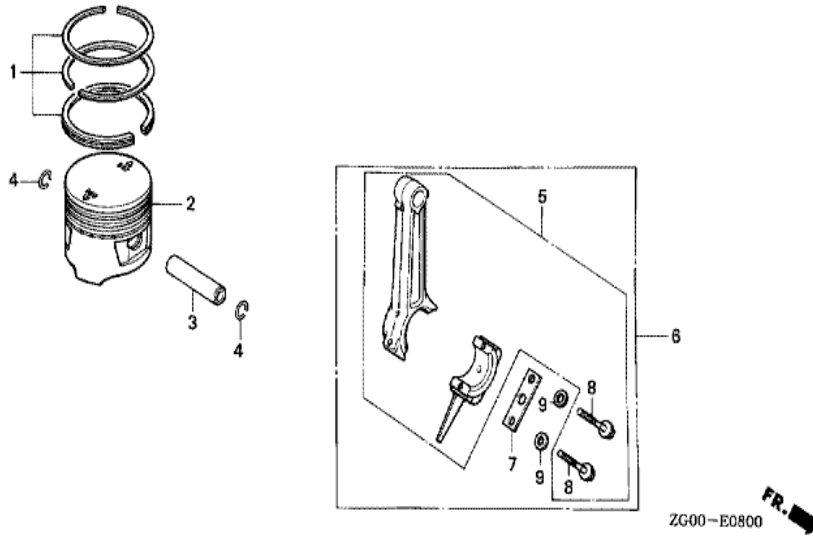
ZG00-E0600



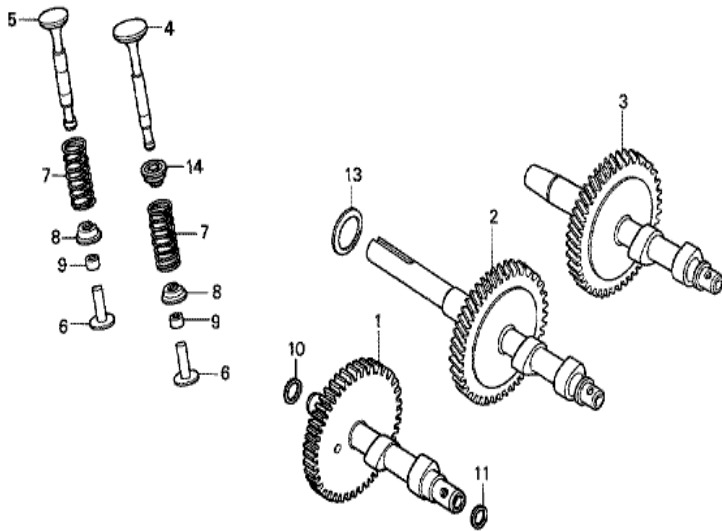
| <u>Ref</u> | <u>Partnumber</u> | <u>Description</u> | <u>G100K2</u> | <u>Serial Numbers</u> |
|------------|-------------------|----------------------------|---------------|-----------------------|
| 002 | 11300-ZG0-631 | COVER ASSY., CRANKCASE | 1 | |
| 006 | 11381-ZG0-800 | PACKING, CASE COVER | 1 | |
| 007 | 15600-ZG4-003 | CAP ASSY., OIL FILLER | 1 | |
| 008 | 15620-ZG0-003 | CAP, OIL FILLER | 1 | |
| 010 | 15625-ZG0-000 | PACKING, OIL FILLER CAP | 1 | |
| 011 | 15625-ZE1-003 | PACKING, OIL FILLER CAP | 1 | |
| 015 | 16511-896-000 | WEIGHT, GOVERNOR | 2 | |
| 016 | 16512-ZG0-000 | HOLDER, GOVERNOR WEIGHT | 1 | |
| 017 | 16513-ZE1-000 | PIN, GOVERNOR WEIGHT | 2 | |
| 018 | 16531-ZG0-000 | SLIDER, GOVERNOR | 1 | |
| 019 | 16541-896-000 | SHAFT, GOVERNOR ARM | 1 | |
| 021 | 90015-883-000 | BOLT, FLANGE, 6X28 (CT200) | 6 | |
| 023 | 90131-ZE1-000 | BOLT, DRAIN PLUG | 2 | |
| <u>Ref</u> | <u>Partnumber</u> | <u>Description</u> | <u>G100K2</u> | <u>Serial Numbers</u> |
| 025 | 90601-ZE1-000 | WASHER, DRAIN PLUG, 10.2MM | 2 | |
| 026 | 90602-ZE1-000 | CLIP, GOVERNOR HOLDER | 1 | |
| 027 | 91202-892-004 | OIL SEAL, 17X30X6 (NOK) | 1 | |
| 030 | 94101-05000 | WASHER, PLAIN, 5MM | 1 | |
| 031 | 94101-06000 | WASHER, PLAIN, 6MM | 1 | |
| 033 | 94251-08000 | PIN, LOCK, 8MM | 1 | |
| 035 | 96100-6203000 | BEARING, RADIAL BALL, 6203 | 1 | |




| Ref | Partnumber | Description | G100K2 | Serial Numbers |
|-----|---------------|----------------------------|--------|----------------|
| 002 | 13310-ZG0-010 | CRANKSHAFT COMP. | 1 | 2206277 |
| 011 | 92101-060180A | BOLT, HEX., 6X18 | (1) | |
| 012 | 90473-896-000 | WASHER, 6MM | (1) | |
| 013 | 90741-883-810 | KEY, 5X5X33 (YELLOW) | 1 | 2335492 |
| 014 | 96100-6203000 | BEARING, RADIAL BALL, 6203 | 1 | |

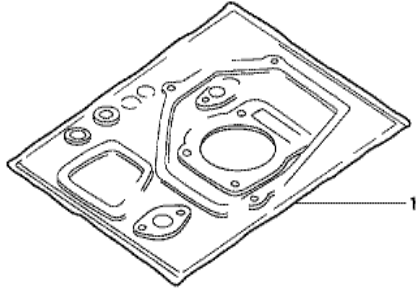


| Ref | Partnumber | Description | G100K2 | Serial Numbers |
|-----|---------------|---|--------|----------------|
| 001 | 13010-ZC0-003 | RING SET, PISTON (STD.) | 1 | |
| 001 | 13011-ZC0-003 | RING SET, PISTON (0.25) | (1) | |
| 001 | 13012-ZC0-003 | RING SET, PISTON (0.50) | (1) | |
| 001 | 13013-ZC0-003 | RING SET, PISTON (0.75) | (1) | |
| 002 | 13101-ZC0-003 | PISTON (STD.) | 1 | |
| 002 | 13102-ZC0-003 | PISTON (0.25) | (1) | |
| 002 | 13103-ZC0-003 | PISTON (0.50) | (1) | |
| 002 | 13104-ZC0-003 | PISTON (0.75) | (1) | |
| 003 | 13111-892-000 | PIN, PISTON | 1 | |
| 004 | 13115-147-000 | CLIP, PISTON PIN, 10MM | 2 | |
| 005 | 13200-ZG0-000 | ROD ASSY., CONNECTING (STD.) | 1 | 1443596 |
| 005 | 13200-ZG0-305 | ROD ASSY., CONNECTING (0.25 UNDER SIZE) | (1) | 1443596 |
| 008 | 90001-ZG0-000 | BOLT, CONNECTING ROD | 2 | 1443596 |



FR. 
ZG00-E0900

| <u>Ref</u> | <u>Partnumber</u> | <u>Description</u> | <u>G100K2</u> | <u>Serial Numbers</u> |
|------------|-------------------|-----------------------------------|---------------|-----------------------|
| 001 | 14111-ZC0-000 | CAMSHAFT COMP. | 1 | 2346140 |
| 004 | 14711-ZG1-000 | VALVE, IN. | 1 | 3293725 |
| 004 | 14711-ZG1-H10 | VALVE, IN. | 1 | |
| 005 | 14721-ZG1-000 | VALVE, EX. | 1 | |
| 006 | 14732-ZC0-000 | LIFTER, VALVE | 2 | 2063202 |
| 007 | 14751-896-000 | SPRING, VALVE | 2 | |
| 008 | 14771-ZG0-000 | RETAINER, VALVE SPRING | 2 | 1443596 |
| 009 | 14801-892-000 | ADJUSTER, TAPPET CLEARANCE (3.15) | 2 | |
| 009 | 14803-892-000 | ADJUSTER, TAPPET CLEARANCE (3.25) | 2 | |
| 009 | 14806-892-000 | ADJUSTER, TAPPET CLEARANCE (3.34) | 2 | |
| 009 | 14809-892-000 | ADJUSTER, TAPPET CLEARANCE (3.43) | 2 | |
| 009 | 14812-892-000 | ADJUSTER, TAPPET CLEARANCE (3.52) | 2 | |
| 009 | 14815-892-000 | ADJUSTER, TAPPET CLEARANCE (3.61) | 2 | |
| <u>Ref</u> | <u>Partnumber</u> | <u>Description</u> | <u>G100K2</u> | <u>Serial Numbers</u> |
| 009 | 14818-892-000 | ADJUSTER, TAPPET CLEARANCE (3.72) | 2 | |
| 009 | 14820-892-000 | ADJUSTER, TAPPET CLEARANCE (3.82) | 2 | |
| 010 | 90452-ZG0-000 | WASHER, 12MM | 1 | |
| 011 | 90452-ZG0-000 | WASHER, 12MM | 1 | |
| 014 | 12209-ZG1-H11 | SEAL, VALVE STEM | 1 | |



HENG-X0003

| <u>Ref</u> | <u>Partnumber</u> | <u>Description</u> | <u>G100K2</u> | <u>Serial Numbers</u> |
|------------|-------------------|--------------------|---------------|-----------------------|
| 001 | 061A1-ZG0-801 | GASKET KIT (###) | 1 | |