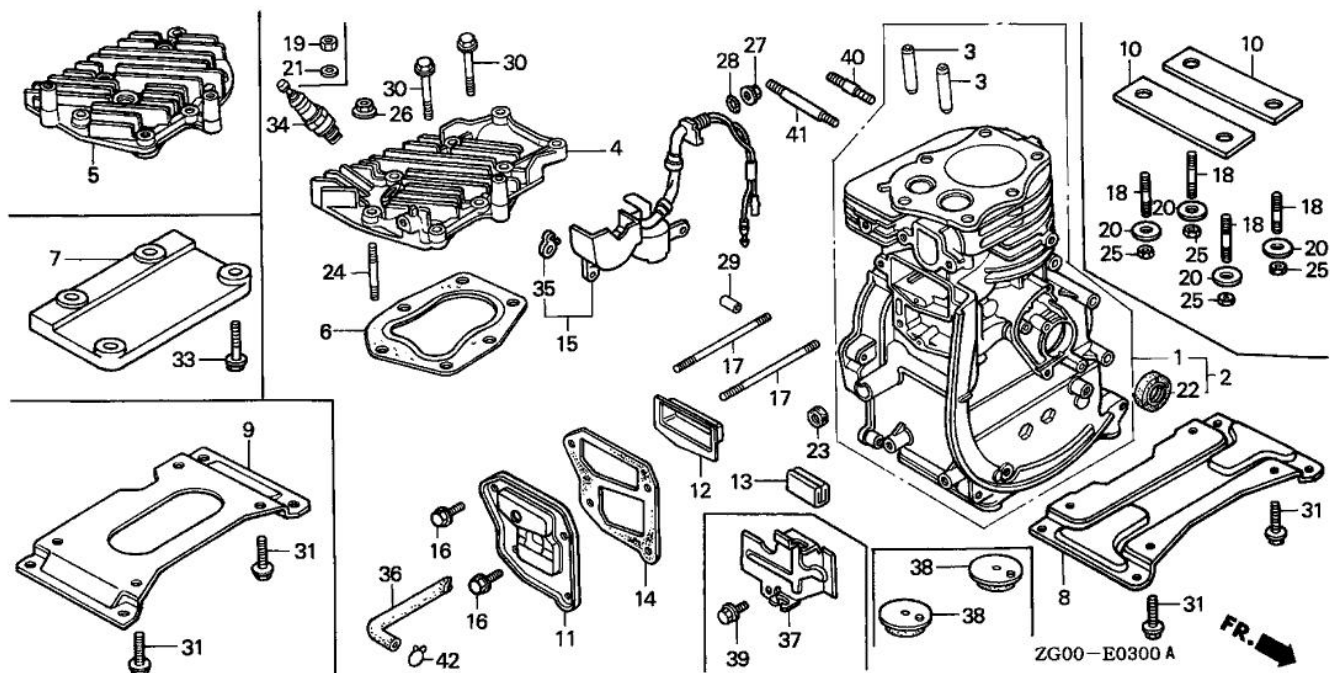
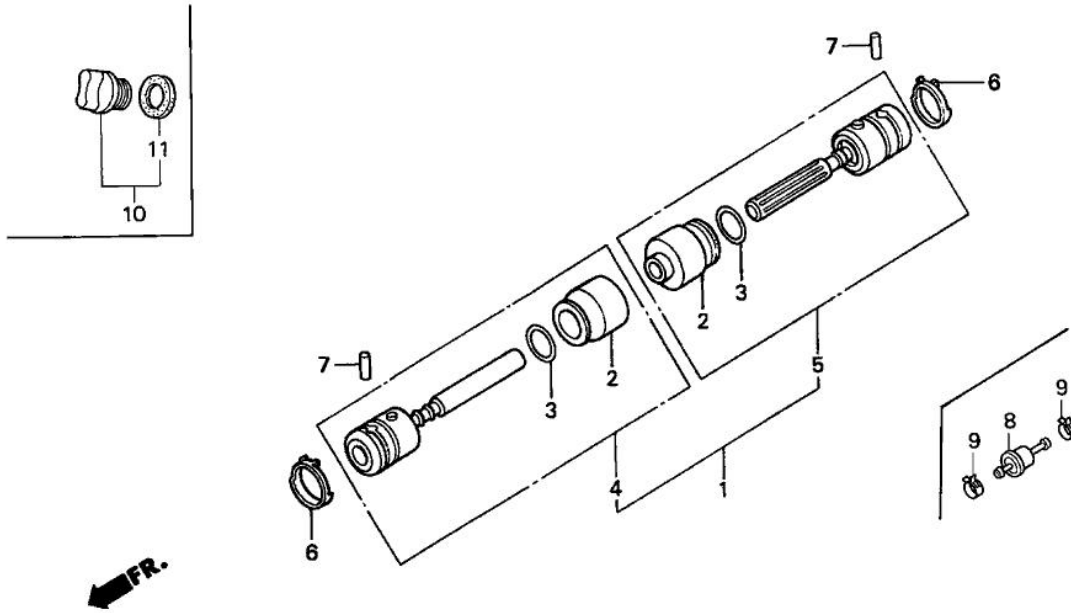


TRU-POWER, INC.

Model Name	G100K2	Product Line	GENERAL PURPOSE ENGINE
Mfg		Type	KR
Section	ENGINE	Illustration	CYLINDER - CYLINDER HEAD



Ref.	Part Number	Part Description	Qty.
002	12000-ZG0-U00	CYLINDER ASSY.	001
003	12133-896-306	GUIDE, VALVE (OVER SIZE)	(2)
004	12221-ZG0-030	CYLINDER HEAD	001
006	12281-ZC0-003	GASKET, CYLINDER HEAD	001
007	12351-ZG0-U00	BED, ENGINE	001
011	12360-ZG0-U00	COVER, TAPPET ROOM	001
011	12361-ZG0-000	COVER, TAPPET ROOM	001
012	12370-ZG0-000	SEPARATOR (INNER)	001
013	12367-ZG0-U00	FILTER, BREATHER	001
014	12375-ZG0-010	GASKET, TAPPET COVER	001
015	15510-ZG0-U01	SWITCH ASSY., OIL LEVEL	001
016	90002-892-000	BOLT, FLANGE (5X10)	004
017	90041-892-000	BOLT, STUD (5X85)	002
017	90041-896-000	BOLT, STUD (5X80)	002
022	91202-892-004	OIL SEAL (17X30X6) (NOK)	001
023	91231-816-000	OIL SEAL (5X10X4)	001
027	94050-10000	NUT, FLANGE (10MM)	001
028	91353-671-003	O-RING (13.5X1.5) (ARAI)	001
029	94303-08140	PIN, DOWEL (8X14)	002
030	95801-06035-00	BOLT, FLANGE (6X35)	006
033	95701-08028-00	BOLT, FLANGE (8X28)	004
034	98073-54771	SPARK PLUG (BPM4A) (NGK)	(1)
035	15512-ZC0-000	BUSH, LEVEL SWITCH	002



ZG00-E4001

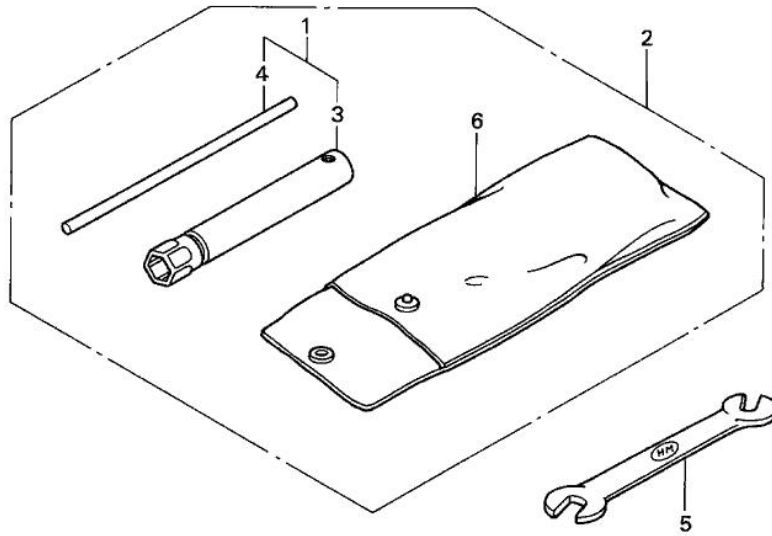
Ref.	Part Number	Part Description	Qty.
008	16910-GB2-005	STRAINER, FUEL	001
009	95002-40850-08	CLAMP, TUBE (D8.5)	002

Section

ENGINE

Illustration

TOOLS



ZG00-E2900

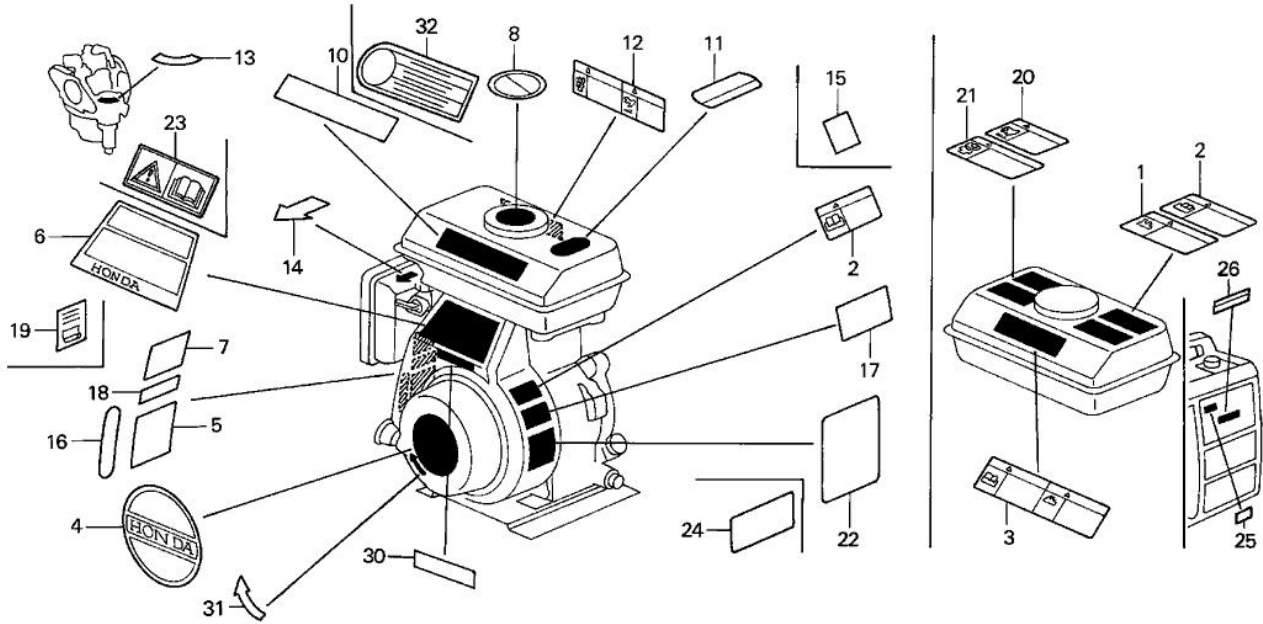
Ref.	Part Number	Part Description	Qty.
003	89216-888-000	WRENCH, SPARK PLUG	001

Section

ENGINE

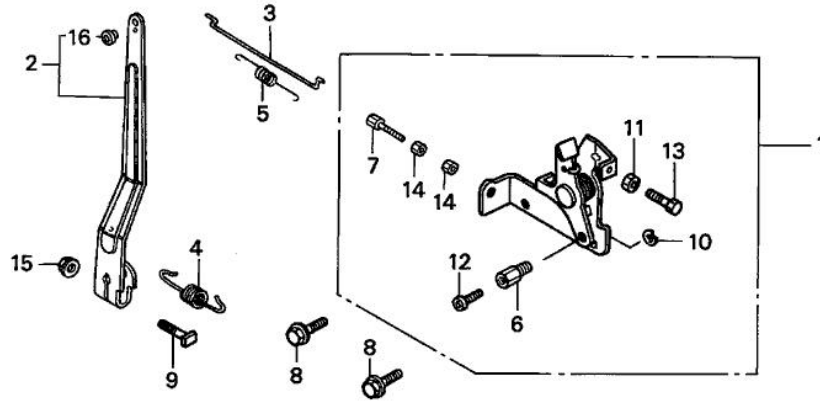
Illustration

LABELS (1)



ZG00-E2800

Ref.	Part Number	Part Description	Qty.
001	87106-737-J00	MARK, FUEL WARNING	001
002	87150-ZH8-000	MARK, CAUTION (JAPANESE)	001
004	87521-ZG0-W01	EMBLEM (JAPANESE/ENGLISH)	001
004	87521-ZG0-W02	EMBLEM (JAPANESE/ENGLISH)	001
012	87526-ZH8-000	MARK B, COMBINATION (JAPANESE)	001
014	87528-883-661	MARK, CHOKE	001
017	87532-ZH8-000	MARK, OIL ALERT	001
030	87135-ZE2-020	LABEL, E-SPEC (15.5X27.5)	001



ZG00-E2202A



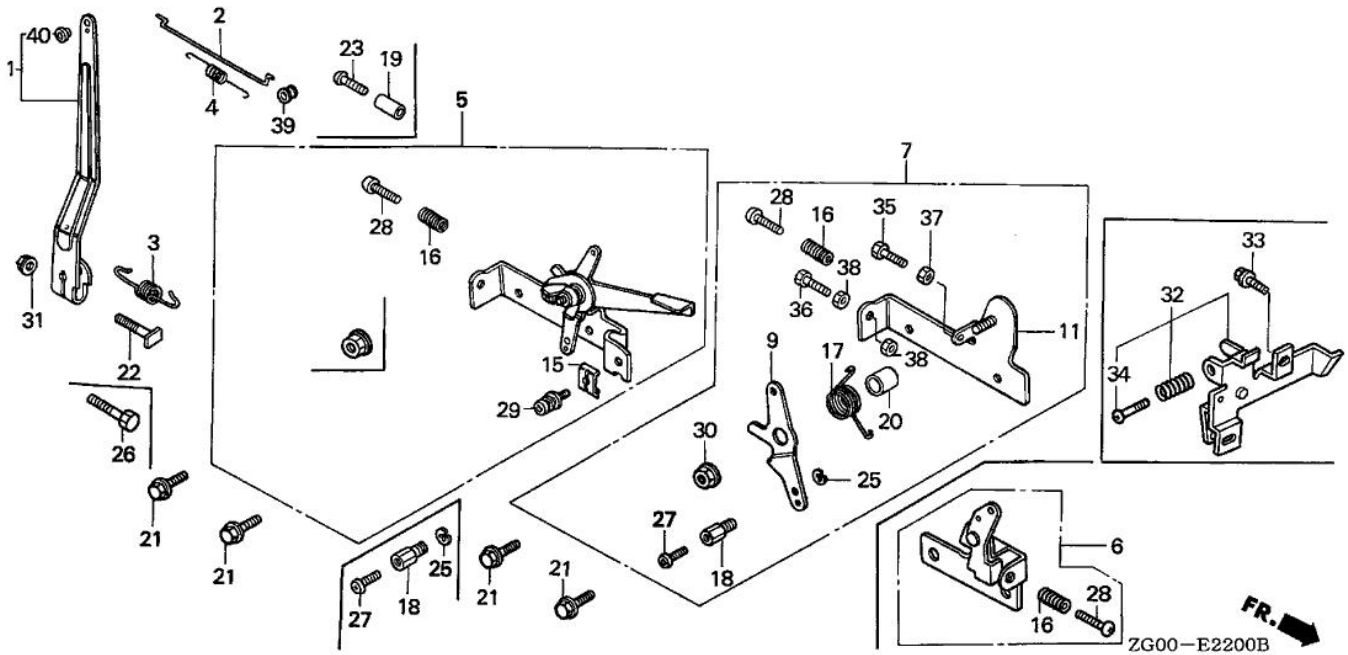
Ref.	Part Number	Part Description	Qty.
001	16500-ZG0-V90	CONTROL ASSY.	001
002	16550-ZG0-U00	ARM, GOVERNOR	001
003	16555-ZG0-000	ROD, GOVERNOR	001
004	16561-ZG0-U01	SPRING, GOVERNOR	001
005	16562-ZG0-000	SPRING, THROTTLE RETURN	001
006	16594-883-010	HOLDER, WIRE	001
007	54717-ZG0-S00	BOLT, CABLE ADJUSTING (6X34)	001
008	90013-883-000	BOLT, FLANGE (6X12) (CT200)	002
009	90015-ZE5-010	BOLT, GOVERNOR ARM	001
010	90605-230-000	CIRCLIP (5MM)	001
011	94001-05000-0S	NUT, HEX. (5MM)	001
012	93500-04006-0H	SCREW, PAN (4X6)	001
013	92101-05020-0A	BOLT, HEX. (5X20)	001
014	94002-06000-0S	NUT, HEX. (6MM)	002
015	94050-06000	NUT, FLANGE (6MM)	001
016	16576-ZA0-700	COLLAR, LEVER	001

Section

ENGINE

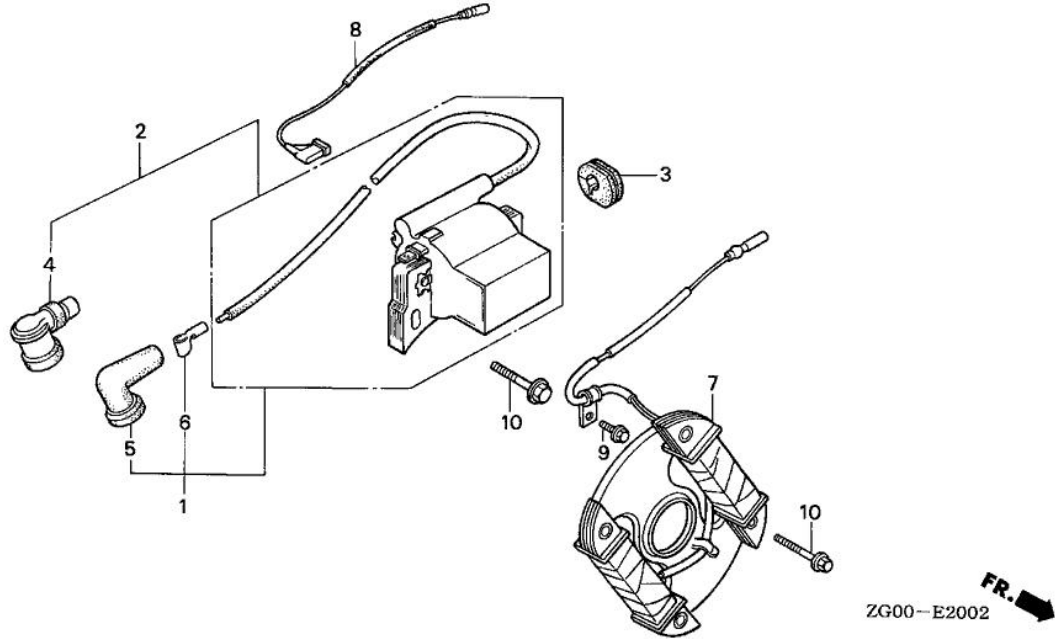
Illustration

CONTROL (1)

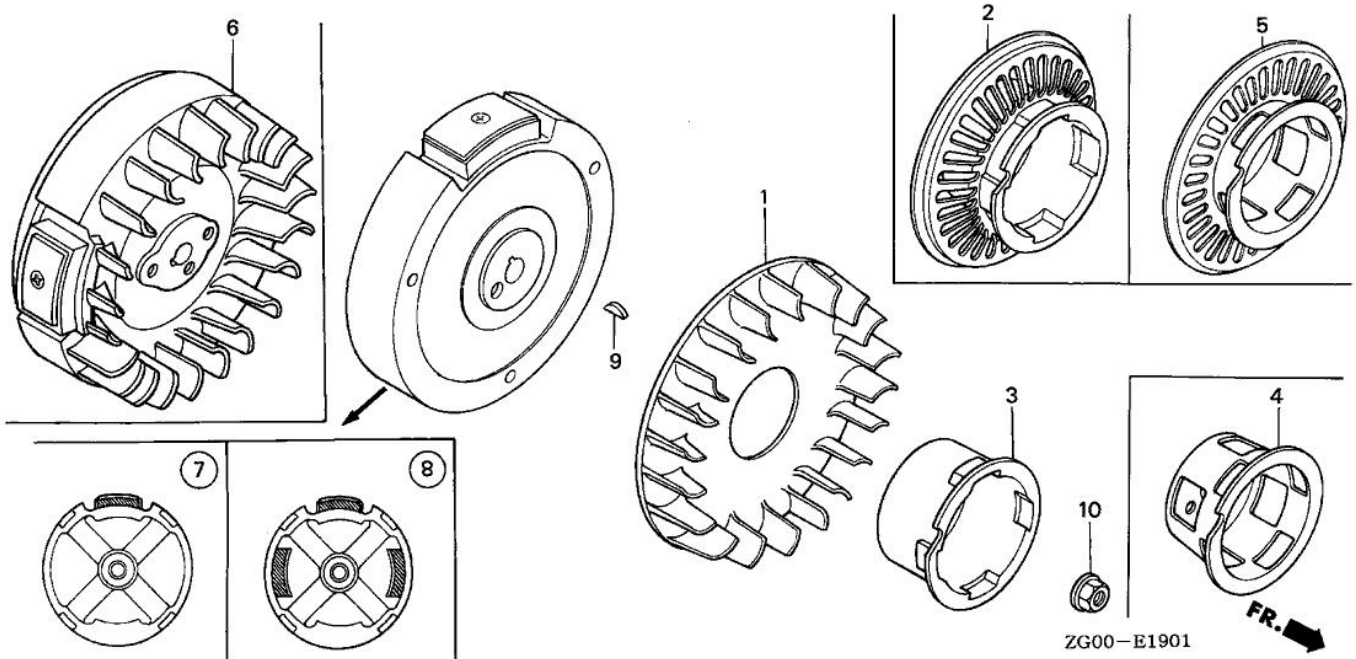


ZG00-E2200B

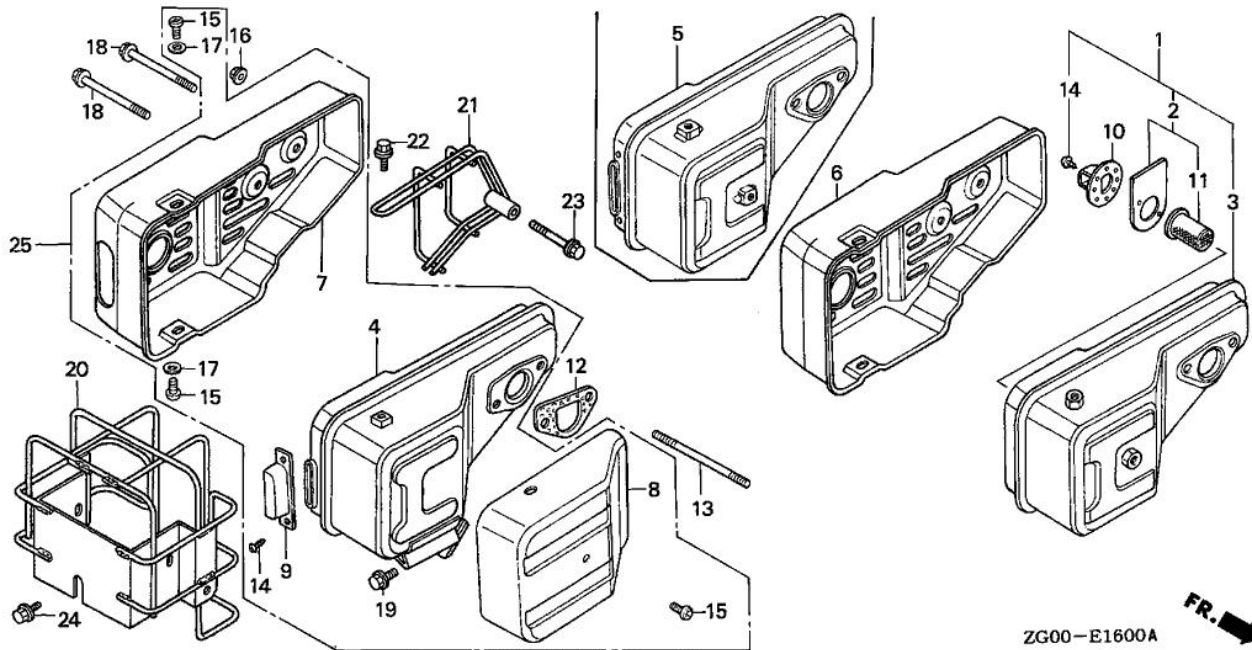
Ref.	Part Number	Part Description	Qty.
001	16550-ZG0-U00	ARM, GOVERNOR	001
002	16555-ZG0-000	ROD, GOVERNOR	001
003	16561-ZG0-000	SPRING, GOVERNOR	001
003	16561-ZG0-U01	SPRING, GOVERNOR	001
004	16562-ZG0-000	SPRING, THROTTLE RETURN	001
007	16500-ZG0-U01	CONTROL ASSY. (REMOTE)	001
007	16570-ZG0-810	CONTROL ASSY. (REMOTE)	001
009	16571-ZG0-810	LEVER, CONTROL (REMOTE)	001
011	16572-ZG0-810	BASE, CONTROL (REMOTE)	001
016	16584-883-300	SPRING, CONTROL ADJUSTING	001
017	16592-896-610	SPRING, RETURN	001
018	16594-883-010	HOLDER, WIRE	001
020	91552-ZG0-810	COLLAR, CONTROL LEVER	001
021	90013-883-000	BOLT, FLANGE (6X12) (CT200)	002
022	90015-ZE5-010	BOLT, GOVERNOR ARM	001
025	90605-230-000	CIRCLIP (5MM)	001
027	93500-04006-0H	SCREW, PAN (4X6)	001
028	93500-05020-0A	SCREW, PAN (5X20)	001
030	94050-06000	NUT, FLANGE (6MM)	001
031	94050-06000	NUT, FLANGE (6MM)	001
035	92101-05020-0A	BOLT, HEX. (5X20)	001
036	54717-ZG0-S00	BOLT, CABLE ADJUSTING (6X34)	001
037	94001-05000-0S	NUT, HEX. (5MM)	001
038	94002-06000-0S	NUT, HEX. (6MM)	002
040	16576-ZA0-700	COLLAR, LEVER	001



Ref.	Part Number	Part Description	Qty.
001	30500-ZG0-W01	COIL ASSY., IGNITION	001
003	30563-ZG0-000	GROMMET, IGNITION WIRE	001
005	30701-888-014	CAP, IGNITION (TOYO)	001
006	30702-888-003	TERMINAL, PLUG	001
008	36101-883-S70	WIRE, STOP SWITCH	001
010	90121-952-000	BOLT, FLANGE (6X25) (CT200)	002

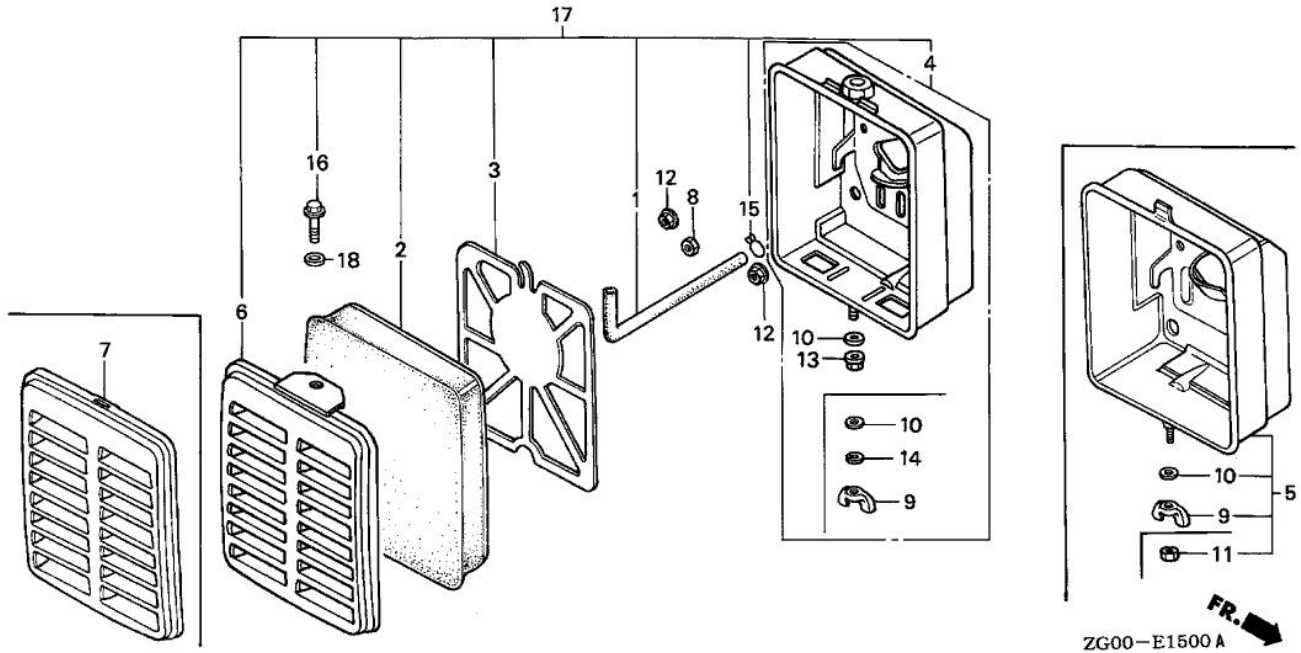


Ref.	Part Number	Part Description	Qty.
001	19511-ZG0-W00	FAN, COOLING	001
003	28451-ZG1-004	PULLEY, STARTER	(1)
007	31100-ZG0-010	FLYWHEEL	001
009	90741-035-000	KEY, WOODRUFF (3MM)	001
010	94050-12000	NUT, FLANGE (12MM)	001



ZG00-E1600A

Ref.	Part Number	Part Description	Qty.
004	18310-ZG0-U00	MUFFLER	001
007	18320-ZG0-000	PROTECTOR, MUFFLER	001
008	18321-ZG0-U00	SEPARATOR, MUFFLER	001
009	18331-896-000	DEFLECTOR, MUFFLER	001
012	18381-ZG0-800	GASKET, MUFFLER	001
013	90046-ZG0-000	BOLT, STUD (6X50)	002
014	90002-ZG0-003	SCREW, TAPPING (4X8)	002
015	93500-06006-0B	SCREW, PAN (6X6)	003
016	94050-06000	NUT, FLANGE (6MM)	002
017	94101-06800	WASHER, PLAIN (6MM)	003
019	95701-06014-00	BOLT, FLANGE (6X14)	001
025	18300-ZG0-U01	MUFFLER ASSY.	001



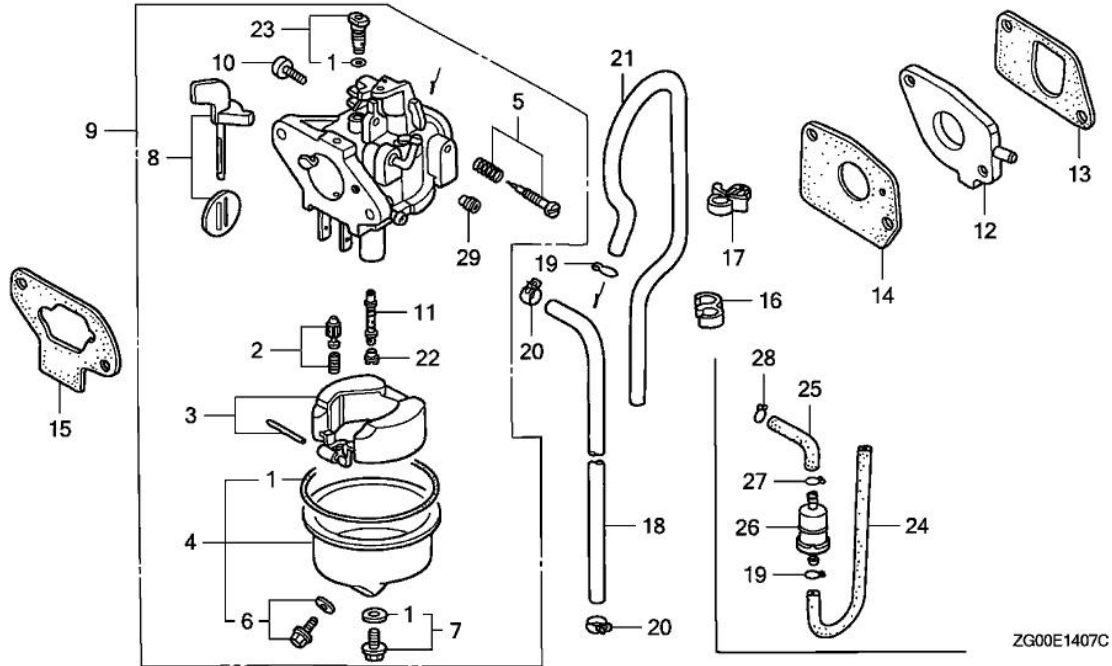
Ref.	Part Number	Part Description	Qty.
001	15721-896-010	TUBE, BREATHER	001
001	15721-ZG0-U00	TUBE, BREATHER	001
002	17211-896-000	ELEMENT, AIR CLEANER	001
003	17212-896-000	GRID, AIR CLEANER	001
004	17220-ZG0-U03	CASE, CLEANER	001
006	17230-ZG0-U01	COVER, AIR CLEANER	001
006	17230-ZG0-U02	COVER, AIR CLEANER	001
007	17231-ZG0-000	COVER, AIR CLEANER	001
009	90325-044-000	NUT, TOOL BOX SETTING	001
010	94101-06800	WASHER, PLAIN (6MM)	001
010	94103-06000	WASHER, PLAIN (6MM)	001
012	94050-05000	NUT, FLANGE (5MM)	002
013	94050-06000	NUT, FLANGE (6MM)	001
014	94111-06000	WASHER, SPRING (6MM)	001
015	95002-02100	CLIP, TUBE (B10)	001
015	95002-50000	CLIP, TUBE (C9)	001
016	95701-06008-00	BOLT, FLANGE (6X8)	001
017	06172-ZG0-U01	AIR CLEANER KIT, SNORKEL	(1)

Section

ENGINE

Illustration

CARBURETOR (8)



Ref.	Part Number	Part Description	Qty.
001	16010-ZG1-015	GASKET SET	001
002	16011-ZE0-005	VALVE SET, FLOAT	001
003	16013-ZG0-811	FLOAT SET	001
004	16015-ZG0-811	CHAMBER SET, FLOAT	001
005	16016-ZE0-005	SCREW SET, PILOT	001
006	16024-ZE1-811	SCREW SET, DRAIN	001
007	16028-ZG0-811	SCREW SET	001
007	16028-ZW6-611	SCREW SET	001
008	16044-ZG0-W00	CHOKE SET	001
009	16100-ZG0-U05	CARBURETOR ASSY. (BF03B D)	001
010	16124-ZE0-005	SCREW, THROTTLE STOP	001
011	16166-ZG0-U00	NOZZLE, MAIN	001
012	16211-ZC0-000	INSULATOR, CARBURETOR	001
012	16211-ZC0-010	INSULATOR	001
012	16211-ZG0-020	INSULATOR, CARBURETOR	001
013	16212-ZG0-800	GASKET, INSULATOR	001
014	16221-ZG0-801	GASKET, CARBURETOR	001
015	16269-ZG0-800	GASKET, AIR CLEANER	001
016	90658-ZA0-930	CLIP, HIGH TENSION CORD	001
017	90682-959-661	CLIP B, CABLE (9MM BLACK)	001
018	95001-45003-50M	BULK HOSE, FUEL (4.5X3000) OEM CUT SIZE: (4.5X400)	001
019	95002-02080	CLIP, TUBE (B8)	001
020	95002-40850-08	CLAMP, TUBE (D8.5)	002
021	95005-45001-20M	BULK HOSE, VACUUM (4.5X1000) OEM CUT SIZE: (4.5X250)	001
022	99101-187-0550	JET, MAIN (#55) (CARBURETOR NO.)	(1)
022	99101-187-0550	JET, MAIN (#55) (CARBURETOR NO.)	001
022	99101-187-0580	JET, MAIN (#58) (CARBURETOR NO.)	001
022	99101-ZG0-0500	JET, MAIN (#50)	(1)
022	99101-ZG0-0520	JET, MAIN (#52)	(1)
022	99101-ZG0-0550	JET, MAIN (#55)	(1)
022	99101-ZG0-0550	JET, MAIN (#55)	001
023	99204-ZE0-0350	JET SET, PILOT (#35)	001

Section**ENGINE****Illustration****CARBURETOR (8)**

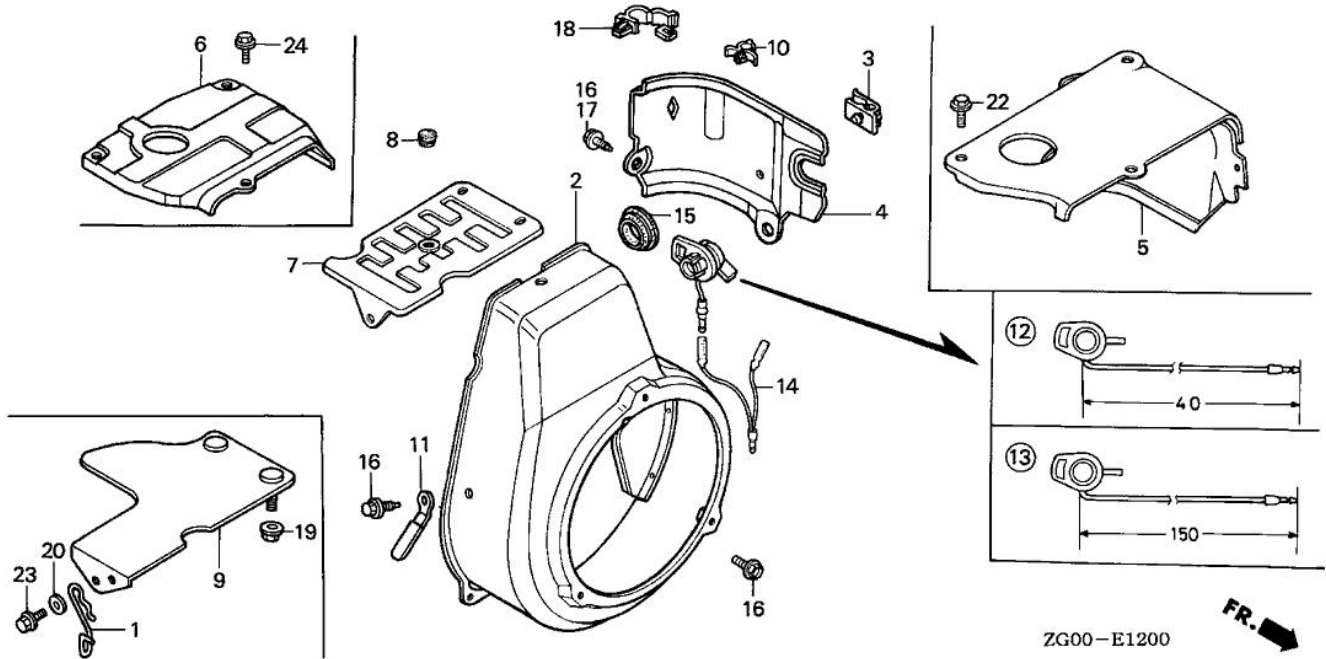
Ref.	Part Number	Part Description	Qty.
024	16198-ZG0-U00	TUBE A, AIR VENT	001
025	16199-ZG0-U00	TUBE B, AIR VENT	001
026	16910-ZG0-U02	FILTER, FUEL	001
027	95002-02100	CLIP, TUBE (B10)	001
029	99102-ZG0-0700	JET	001

Section

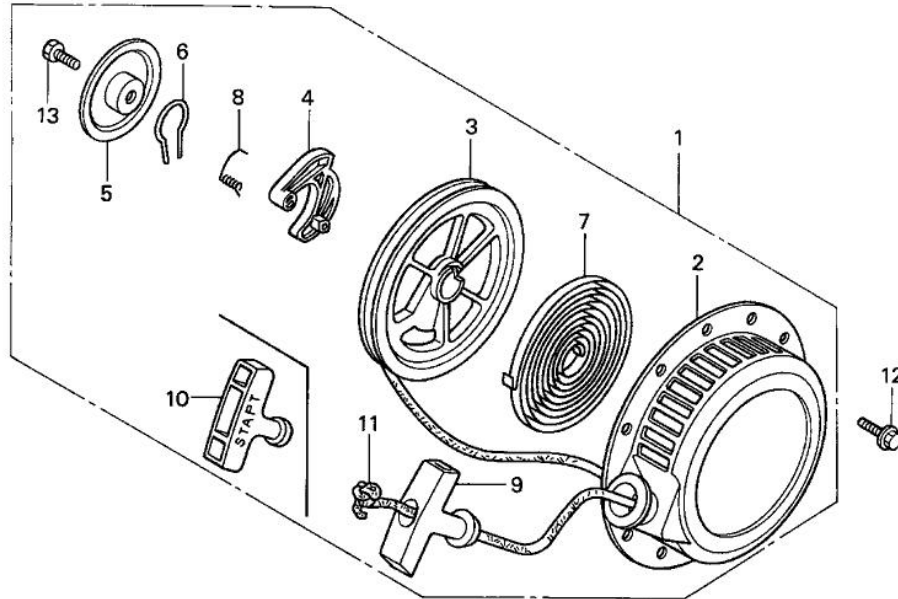
ENGINE

Illustration

FAN COVER (1)



Ref.	Part Number	Part Description	Qty.
001	17547-ZG0-U00	GUIDE, WIRE	001
002	19610-ZG0-U00ZA	COVER, FAN *NH1*(BLACK)	(NOT AVAILABLE)
002	19610-ZG0-U00ZC	COVER, FAN *T73*(EXEN GRAY)	001
002	19610-ZG0-U00ZD	COVER, FAN *R280*(POWER RED)	001
003	19613-ZE1-000	CLAMP, CORD	001
003	19613-ZE1-010	CLAMP, CORD	001
003	19613-ZE1-020	CLAMP, CORD	001
004	19630-ZG0-U01	SHROUD	001
009	19721-ZG0-D71	COVER, TOP	001
009	19721-ZG0-U00	COVER, TOP	001
012	36100-ZE1-015	SWITCH ASSY., ENGINE STOP	001
014	32197-ZH8-003	SUB-HARNESS	001
016	90013-883-000	BOLT, FLANGE (6X12) (CT200)	004
017	90013-883-000	BOLT, FLANGE (6X12) (CT200)	002
018	90652-SB2-023	CLIP, TUBE (7MM)	001
019	94050-06000	NUT, FLANGE (6MM)	002
020	94103-06000	WASHER, PLAIN (6MM)	001
023	95701-06012-00	BOLT, FLANGE (6X12)	001
023	95701-06016-00	BOLT, FLANGE (6X16)	001
024	90013-883-000	BOLT, FLANGE (6X12) (CT200)	001



ZG00-E1102

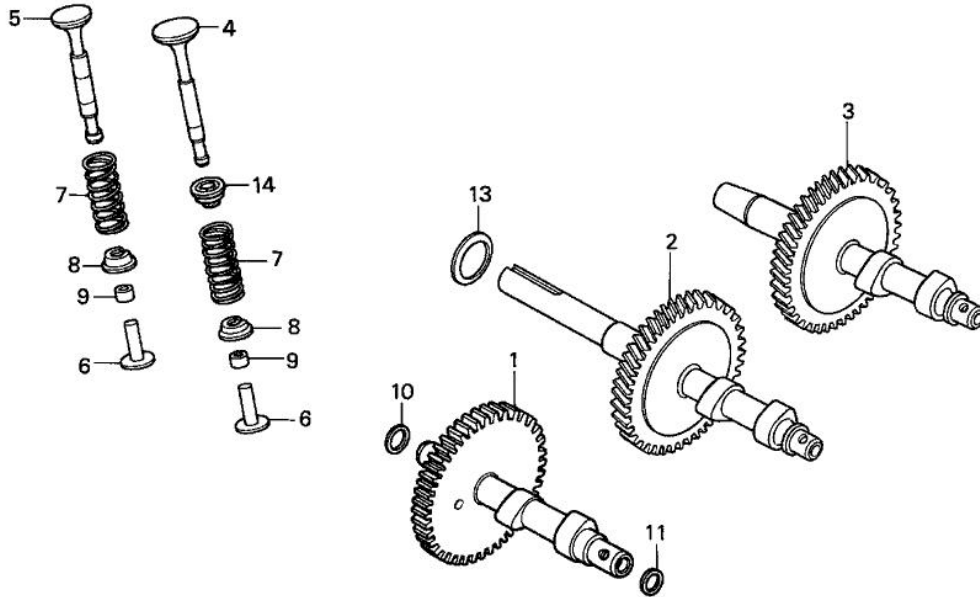
Ref.	Part Number	Part Description	Qty.
001	28400-ZG0-004ZA	STARTER ASSY., RECOIL *NH1*(BLACK)	001
001	28400-ZG0-004ZG	STARTER ASSY., RECOIL *R280*(POWER RED)	001
001	28400-ZG0-U01ZC	STARTER ASSY., RECOIL *NH1*(BLACK)	001
001	28400-ZG0-U01ZD	STARTER ASSY., RECOIL *R280*(POWER RED)	001
002	28410-ZG0-014ZA	CASE, RECOIL STARTER *NH1*(BLACK)	001
002	28410-ZG0-014ZG	CASE, RECOIL STARTER *R280*(POWER RED)	001
002	28410-ZG0-U01ZA	CASE, RECOIL STARTER *R8*(BRIGHT RED)	001
002	28410-ZG0-U01ZC	CASE, RECOIL STARTER *NH1*(BLACK)	001
002	28410-ZG0-U01ZD	CASE, RECOIL STARTER *R280*(POWER RED)	001
003	28420-ZG0-004	REEL, RECOIL STARTER	001
004	28422-896-010	RATCHET, STARTER	001
005	28431-896-000	PLATE, FRICTION	001
006	28441-896-000	SPRING, FRICTION	001
007	28442-ZE6-003	SPRING, RECOIL STARTER	001
008	28443-896-000	SPRING, RETURN	001
010	28461-ZH8-013	KNOB, RECOIL STARTER	001
011	28462-ZG0-004	ROPE, RECOIL STARTER	(N/A: USE P/N 08540-ZG921-11) 001
012	95701-06008-00	BOLT, FLANGE (6X8)	003
013	92101-06012-0H	BOLT, HEX. (6X12)	001

Section

ENGINE

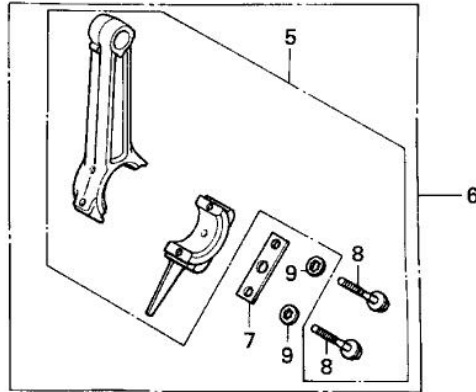
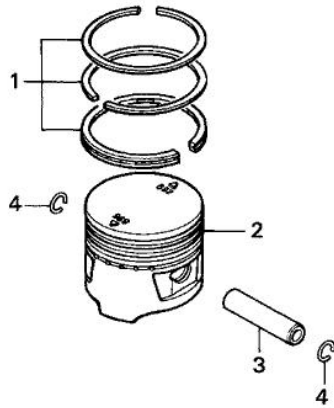
Illustration

CAMSHAFT



ZG00-E0900 **FR.** →

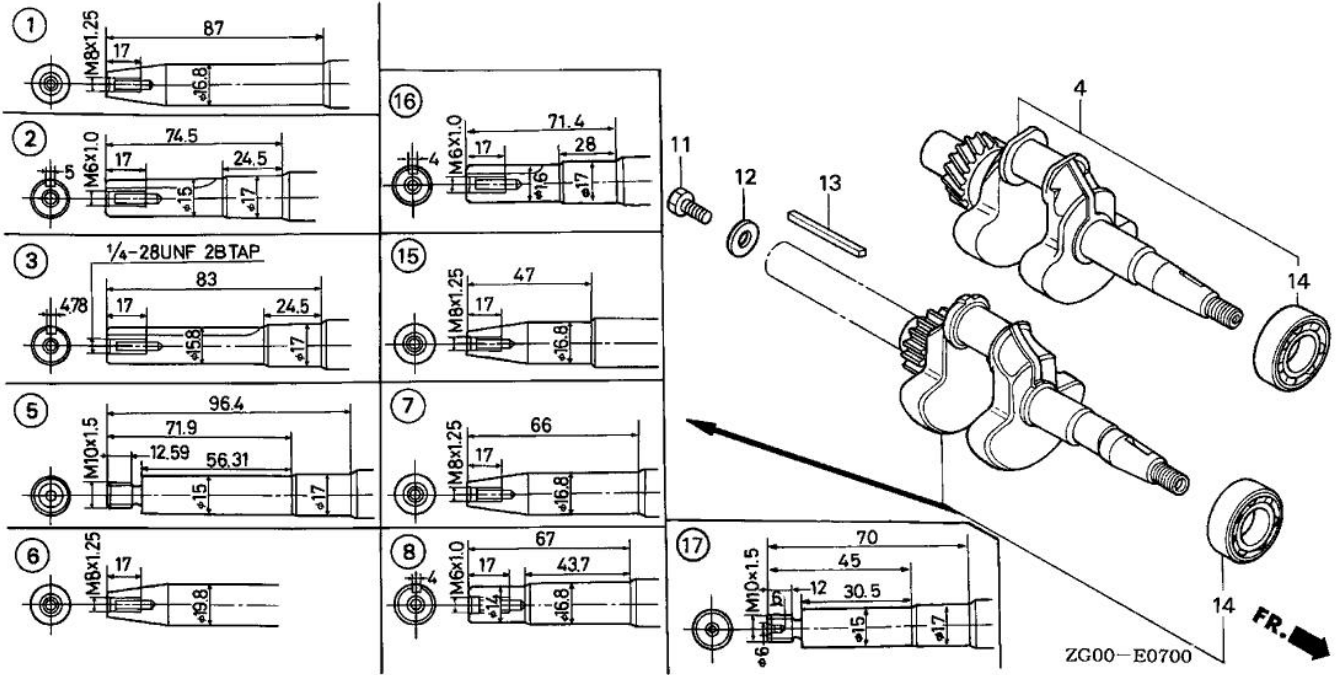
Ref.	Part Number	Part Description	Qty.
001	14111-ZC0-000	CAMSHAFT	001
001	14111-ZG0-U00	CAMSHAFT	001
004	14711-ZG1-000	VALVE, IN.	001
004	14711-ZG1-H10	VALVE, IN.	001
005	14721-ZG1-000	VALVE, EX.	001
006	14732-ZA8-000	LIFTER, VALVE	002
007	14751-896-000	SPRING, VALVE	002
008	14771-ZG0-000	RETAINER, VALVE SPRING	002
009	14801-892-000	ADJUSTER, TAPPET CLEARANCE (3.15)	002
009	14803-892-000	ADJUSTER, TAPPET CLEARANCE (3.25)	002
009	14806-892-000	ADJUSTER, TAPPET CLEARANCE (3.34)	002
009	14809-892-000	ADJUSTER, TAPPET CLEARANCE (3.43)	002
009	14812-892-000	ADJUSTER, TAPPET CLEARANCE (3.52)	002
009	14815-892-000	ADJUSTER, TAPPET CLEARANCE (3.61)	002
009	14818-892-000	ADJUSTER, TAPPET CLEARANCE (3.72)	002
009	14820-892-000	ADJUSTER, TAPPET CLEARANCE (3.82)	002
010	90452-ZG0-000	WASHER (12MM)	001
011	90452-ZG0-000	WASHER (12MM)	001



ZG00-E0800



Ref.	Part Number	Part Description	Qty.
001	13010-ZC0-003	RING SET, PISTON (STD)	001
001	13011-ZC0-003	RING SET, PISTON (0.25)	(1)
001	13012-ZC0-003	RING SET, PISTON (0.50)	(1)
001	13013-ZC0-003	RING SET, PISTON (0.75)	(1)
002	13101-ZC0-003	PISTON (STD)	001
002	13102-ZC0-003	PISTON (0.25)	(1)
002	13103-ZC0-003	PISTON (0.50)	(1)
002	13104-ZC0-003	PISTON (0.75)	(1)
003	13111-892-000	PIN, PISTON	001
004	13115-147-000	CLIP, PISTON PIN (10MM)	002
005	13200-ZA7-000	ROD ASSY., CONNECTING	001
008	90001-ZG0-000	BOLT, CONNECTING ROD	002



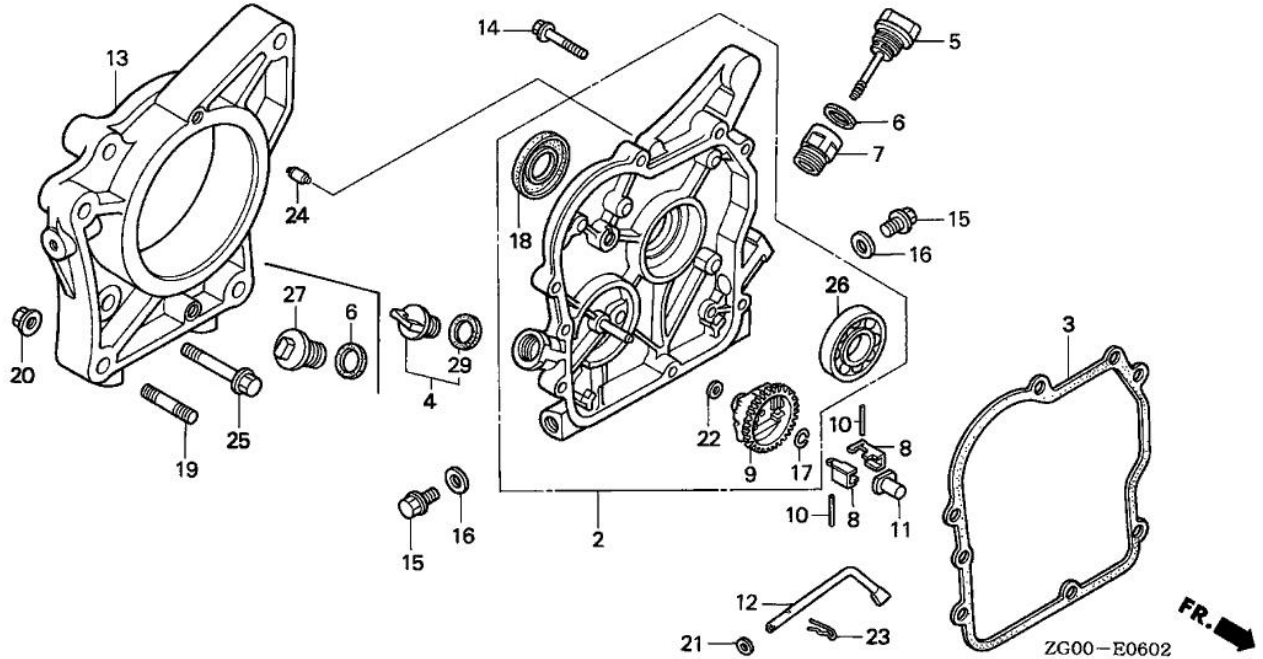
Ref.	Part Number	Part Description	Qty.
014	96100-62030-00	BEARING, RADIAL BALL (6203)	001
015	13310-ZG0-U00	CRANKSHAFT	001

Section

ENGINE

Illustration

CRANKCASE COVER (3)



Ref.	Part Number	Part Description	Qty.
002	11300-ZG0-U01	COVER ASSY., CRANKCASE	001
003	11381-ZG0-U00	GASKET, CASE COVER	001
004	15600-ZG4-003	CAP ASSY., OIL FILLER	001
005	15620-ZA8-000	CAP, OIL FILLER	001
005	15620-ZG0-003	CAP, OIL FILLER	001
006	15625-ZE1-003	GASKET, OIL FILLER CAP	001
007	15632-ZG0-U00	PIPE, OIL FILLER	001
008	16511-896-000	WEIGHT, GOVERNOR	002
009	16512-ZG0-000	HOLDER, GOVERNOR WEIGHT	001
010	16513-ZE1-000	PIN, GOVERNOR WEIGHT	002
011	16531-ZG0-000	SLIDER, GOVERNOR	001
012	16541-896-000	SHAFT, GOVERNOR ARM	001
013	22342-ZG0-U00	HOUSING, RR. CLUTCH	001
014	90015-883-000	BOLT, FLANGE (6X28) (CT200)	006
015	90131-ZE1-000	BOLT, DRAIN PLUG	001
015	90131-ZE1-000	BOLT, DRAIN PLUG	002
016	90601-ZE1-000	WASHER, DRAIN PLUG (10.2MM)	001
016	90601-ZE1-000	WASHER, DRAIN PLUG (10.2MM)	002
017	90602-ZE1-000	CLIP, GOVERNOR HOLDER	001
018	91202-892-004	OIL SEAL (17X30X6) (NOK)	001
019	92900-08032-0E	BOLT, STUD (8X32)	003
020	94050-08000	NUT, FLANGE (8MM)	004
021	94101-05000	WASHER, PLAIN (5MM)	001
022	94101-06800	WASHER, PLAIN (6MM)	001
023	94251-08000	PIN, LOCK (8MM)	001
024	94303-06100	PIN, DOWEL (6X10)	002
025	95701-08038-00	BOLT, FLANGE (8X38)	004
026	96100-62030-00	BEARING, RADIAL BALL (6203)	001
027	15621-ZB9-020	CAP, OIL HOLE	001
029	15625-ZE1-003	GASKET, OIL FILLER CAP	001