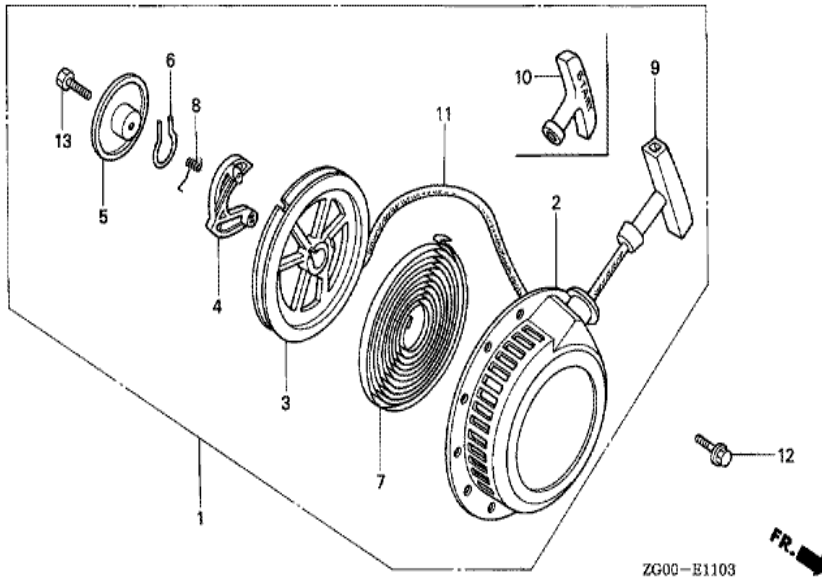
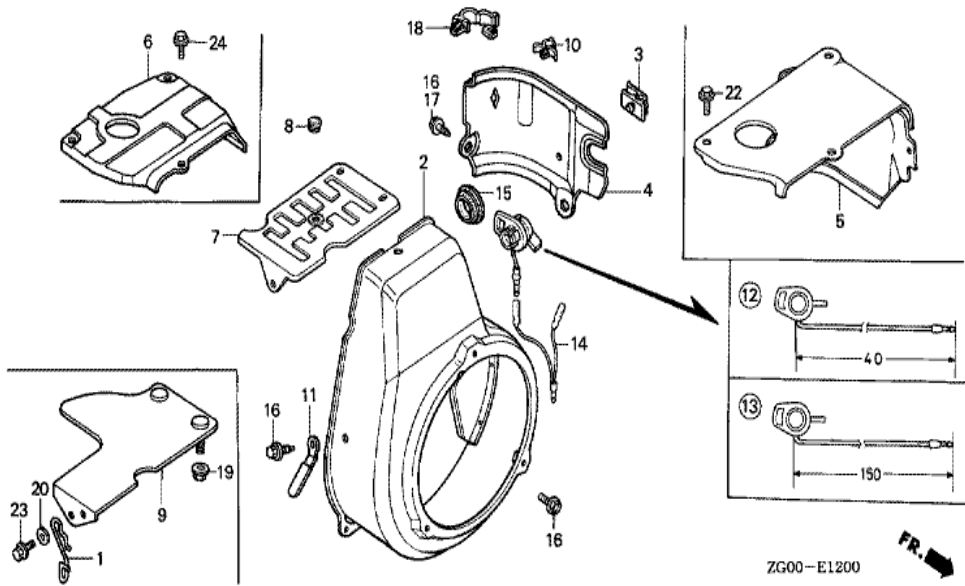


ZG00-E1101

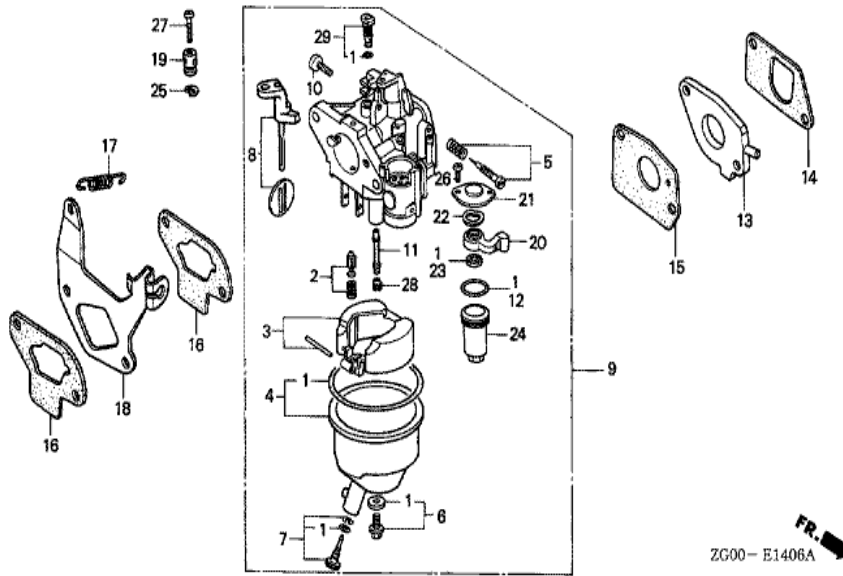
<u>Ref</u>	<u>Partnumber</u>	<u>Description</u>	<u>G100K1</u>	<u>Serial Numbers</u>
001	28400-ZG0-S10ZA	STARTER ASSY., RECOIL *R8 *	1	2411011
003	28410-ZG0-003ZA	CASE COMP., STARTER *R8 *	1	2411011
005	28420-ZG0-003	REEL, STARTER	1	2411011
006	28422-ZG0-003	RATCHET, STARTER	1	2411011
007	28423-ZG0-003	SHAFT, RATCHET	1	2357294
008	28431-ZG0-003	PLATE A, FRICTION	1	2411011
009	28432-ZG0-003	PLATE B, FRICTION	1	2411011
010	28441-ZG0-003	SPRING, FRICTION	1	
011	28442-ZG0-003	SPRING, RETURN	1	2411011
012	28443-ZG0-003	COVER, REEL STARTER	1	2411011
013	28461-ZG0-013	GRIP, STARTER	1	2411011
014	28462-ZG0-S10	ROPE, STARTER	1	2411011
015	90003-ZG0-003	BOLT, REEL COVER	1	2411011
<u>Ref</u>	<u>Partnumber</u>	<u>Description</u>	<u>G100K1</u>	<u>Serial Numbers</u>
016	95701-0600800	BOLT, FLANGE, 6X8	3	2411011



<u>Ref</u>	<u>Partnumber</u>	<u>Description</u>	<u>G100K1</u>	<u>Serial Numbers</u>
001	28400-ZG0-S12ZA	STARTER ASSY., RECOIL *R8 *	1	2423061
002	28410-ZG0-004ZB	CASE COMP., RECOIL STARTER *R8 *	1	2411012 2423060
002	28410-ZG0-014ZB	CASE COMP., RECOIL STARTER *R8 *	1	2423061
003	28420-ZG0-004	REEL, RECOIL STARTER	1	2411012
004	28422-896-010	RATCHET, STARTER	1	
005	28431-896-000	PLATE, FRICTION	1	2411012
006	28441-896-000	SPRING, FRICTION	1	2411012
007	28442-ZE6-003	SPRING, RECOIL STARTER	1	2411012
008	28443-896-000	SPRING, RETURN	1	2411012
009	28461-ZG0-004	GRIP, STARTER	1	2423060
010	28461-ZH8-003	GRIP, STARTER	1	2423061
011	28462-ZG0-S12	ROPE, RECOIL STARTER	1	2423061
012	95701-0600800	BOLT, FLANGE, 6X8	3	2411012
<u>Ref</u>	<u>Partnumber</u>	<u>Description</u>	<u>G100K1</u>	<u>Serial Numbers</u>
013	92101-060120H	BOLT, HEX., 6X12	1	2411012

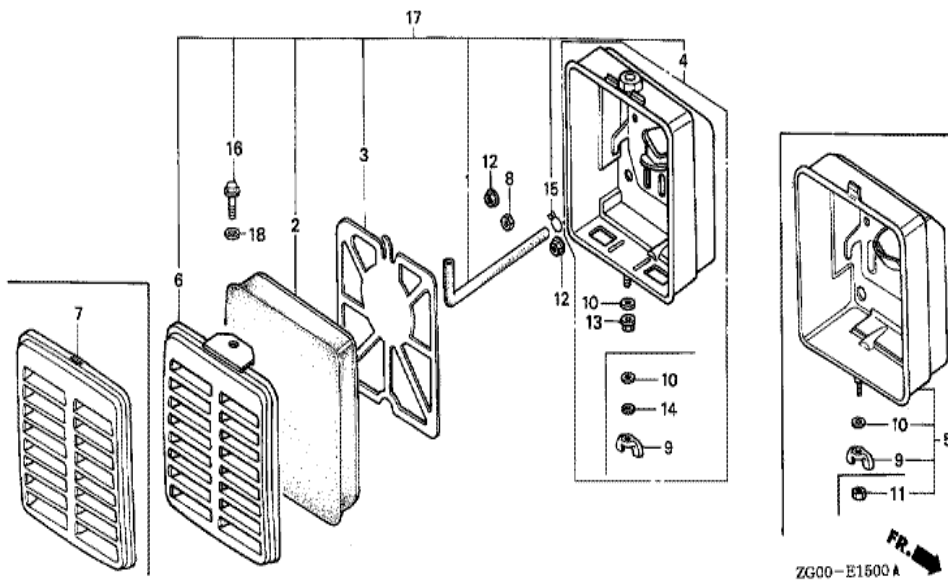


Ref	Partnumber	Description	G100K1	Serial Numbers
002	19610-ZG0-000ZA	COVER COMP., FAN *R8 *	1	3468618
004	19631-ZG0-000	SHROUD	1	
006	19641-ZG0-S10	COVER, TOP	1	
015	81329-567-020	GROMMET, DRAIN HOLE	1	2406785
016	90013-883-000	BOLT, FLANGE, 6X12 (CT200)	4	
017	90013-883-000	BOLT, FLANGE, 6X12 (CT200)	1	
024	90013-883-000	BOLT, FLANGE, 6X12 (CT200)	1	

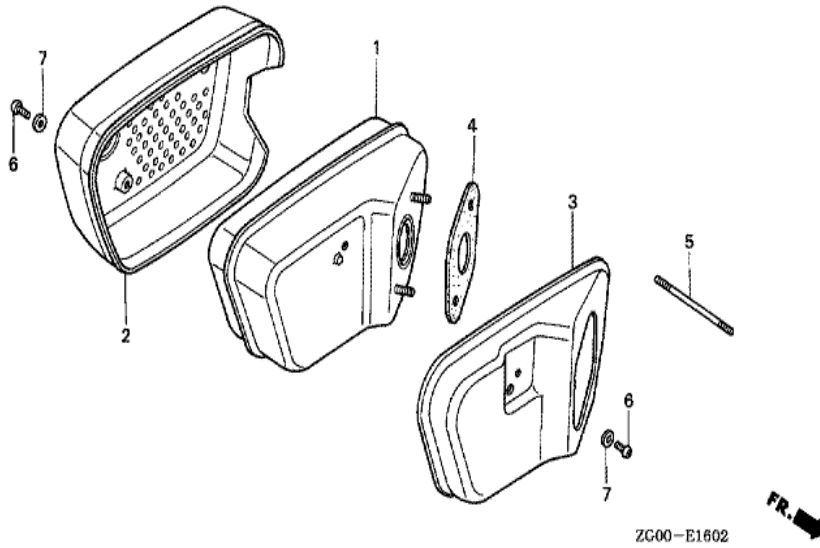


Ref	Partnumber	Description	G100K1	Serial Numbers
001	16010-ZG0-S10	GASKET SET	1	BF11G C
002	16011-ZE0-005	VALVE SET, FLOAT	1	
003	16013-ZG0-811	FLOAT SET	1	
004	16015-ZG1-D20	CHAMBER SET, FLOAT	1	BF11G C
005	16016-ZE0-005	SCREW SET, PILOT	1	
006	16024-ZH7-A20	SCREW SET, DRAIN	1	BF11G C
007	16028-ZG0-811	SCREW SET	1	BF11G C
008	16044-ZG0-821	CHOKE SET	1	
009	16100-ZG0-S10	CARBURETOR ASSY. (BF13B A)	1	3122282
009	16100-ZG0-S11	CARBURETOR ASSY. (BF13B B)	1	3122283
010	16124-ZE0-005	SCREW, THROTTLE STOP	1	
011	16166-ZG0-811	NOZZLE, MAIN	1	
012	16173-ZG0-811	O-RING	1	

<u>Ref</u>	<u>Partnumber</u>	<u>Description</u>	<u>G100K1</u>	<u>Serial Numbers</u>
013	16211-ZG0-020	INSULATOR, CARBURETOR	1	
014	16212-ZG0-000	PACKING, INSULATOR	1	2400907
014	16212-ZG0-800	PACKING, INSULATOR	1	2400908
015	16221-ZG0-020	PACKING, CARBURETOR	1	2400907
015	16221-ZG0-801	PACKING, CARBURETOR	1	2400908
016	16269-ZG0-000	PACKING, AIR CLEANER	2	2400907
016	16269-ZG0-800	PACKING, AIR CLEANER	2	2400908
017	16592-ZG0-000	SPRING, CABLE RETURN	1	
018	16615-ZG0-000	STAY, CHOKE CONTROL	1	
019	16617-890-010	HOLDER, CABLE	1	
020	16953-ZG0-811	LEVER, COCK	1	3122412
021	16954-ZE1-812	PLATE, LEVER SETTING	1	3122413
022	16956-ZE1-811	SPRING, COCK LEVER	1	
023	16957-ZE1-812	PACKING, FUEL COCK	1	
024	16967-ZG0-811	CUP, FUEL STRAINER	1	
025	90605-230-000	CIRCLIP, 5MM	1	
026	93500-030061H	SCREW, PAN, 3X6	2	3122413
027	93500-040080A	SCREW, PAN, 4X8	1	
028	99101-1870580	JET, MAIN, #58	1	3102492
028	99101-1870600	JET, MAIN, #60	(1)	
028	99101-1870620	JET, MAIN, #62	1	
029	99204-ZE00350	JET SET, PILOT, #35	1	



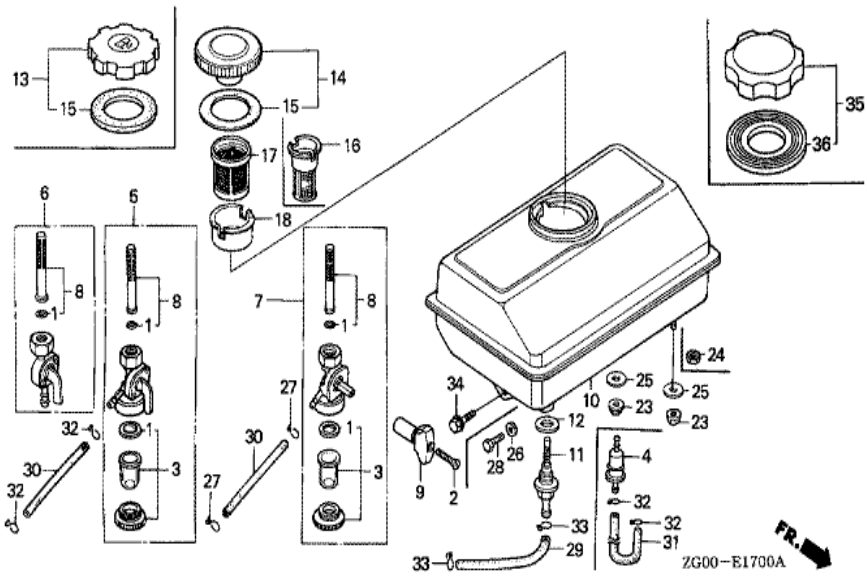
Ref	Partnumber	Description	G100K1	Serial Numbers
001	15721-896-010	TUBE, BREATHER	1	
002	17211-896-000	ELEMENT, AIR CLEANER	1	
003	17212-896-000	GRID, AIR CLEANER	1	
005	17220-ZG0-000	CASE COMP., AIR CLEANER	1	
007	17231-ZG0-000	COVER, AIR CLEANER	1	
009	90325-044-000	NUT, TOOL BOX SETTING	1	
010	94101-06000	WASHER, PLAIN, 6MM	1	3104275
012	94050-05000	NUT, FLANGE, 5MM	2	



ZC00-E1602

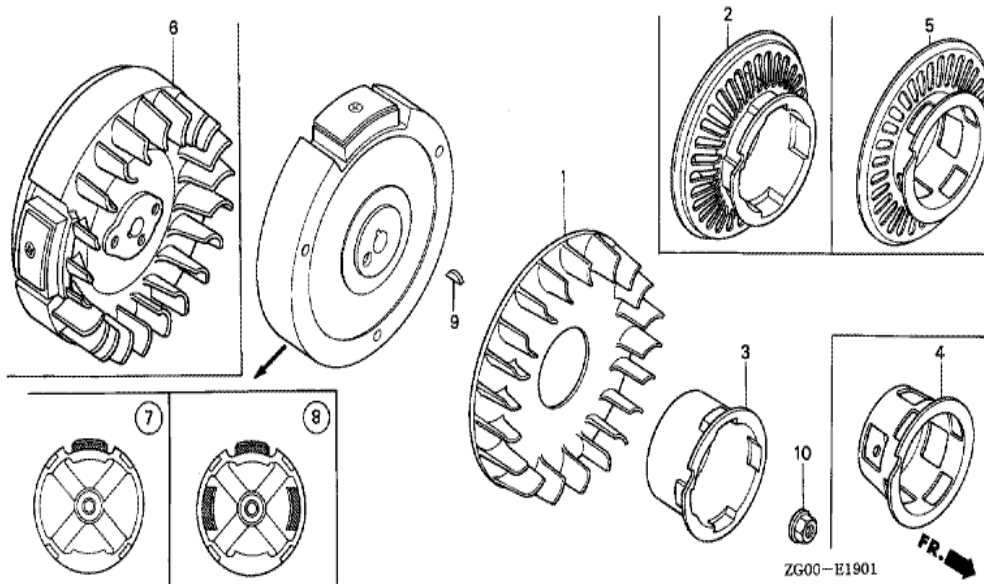
FR. →

Ref	Partnumber	Description	G100K1	Serial Numbers
001	18310-ZG1-751	MUFFLER COMP.	1	
002	18320-ZG1-752	PROTECTOR A, MUFFLER	1	
003	18323-ZG1-751	PROTECTOR B, MUFFLER	1	
004	18382-ZG1-750	GASKET B, MUFFLER	1	2423060
004	18382-ZG1-800	GASKET B, MUFFLER	1	2423061
005	90045-892-000	BOLT, STUD, 6X28 (CT200)	2	
006	93500-060060B	SCREW, PAN, 6X6	2	
007	94101-06000	WASHER, PLAIN, 6MM	2	



Ref	Partnumber	Description	G100K1	Serial Numbers
004	16910-ZE8-005	STRAINER COMP., FUEL	1	2405305
004	16910-ZE8-015	STRAINER COMP., FUEL	1	2405306
023	94050-06000	NUT, FLANGE, 6MM	2	
029	95001-4510040	TUBE, FUEL, 4.5X100 (95001-450 (95001-45	1	
033	95002-02080	CLIP, TUBE (B8)	2	
034	95701-0601200	BOLT, FLANGE, 6X12	1	

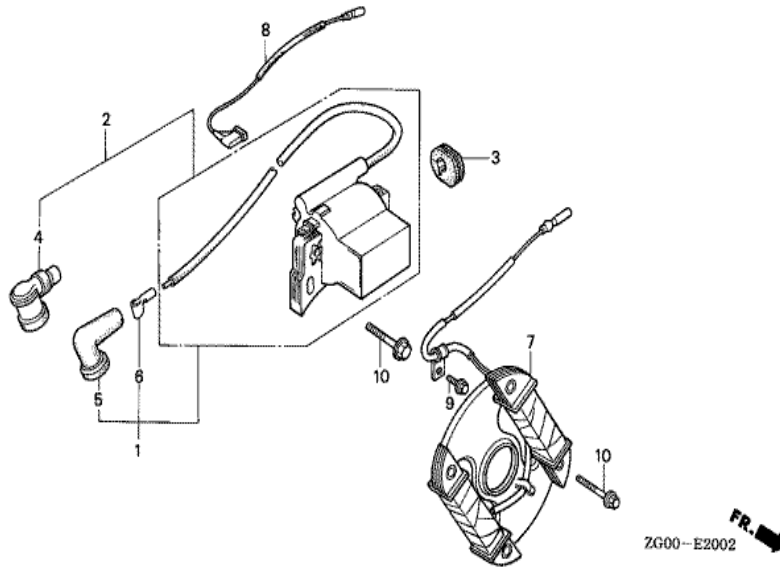




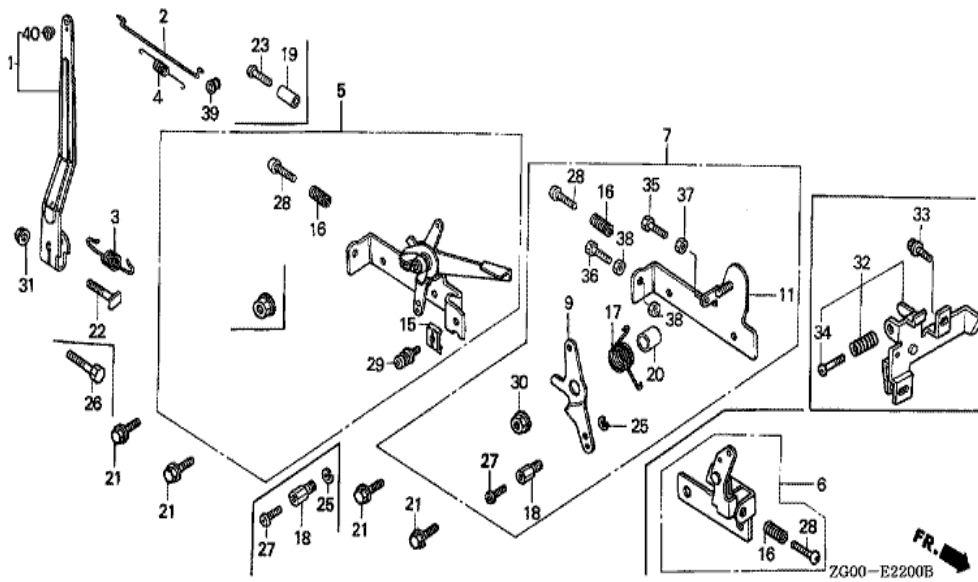
ZG00-E1901

FR. →

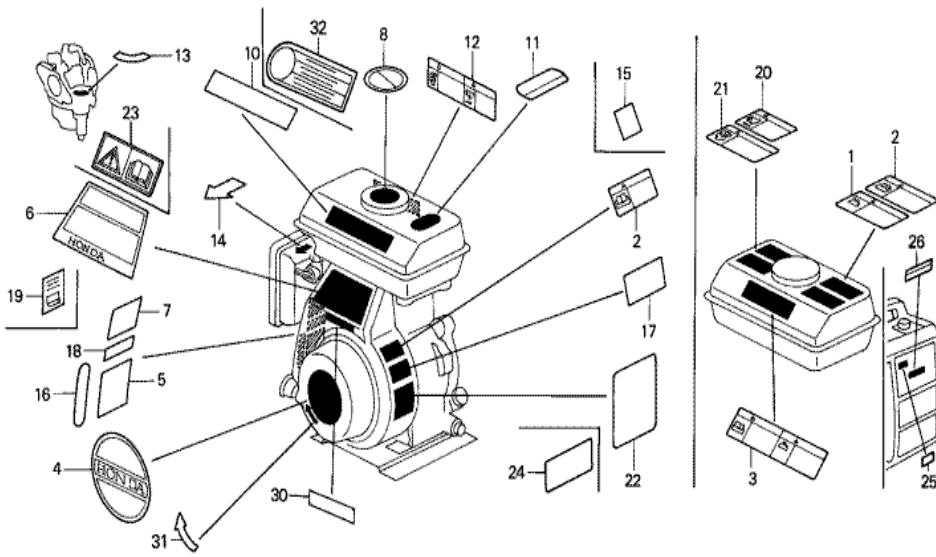
Ref	Partnumber	Description	G100K1	Serial Numbers
001	19511-ZG0-000	FAN, COOLING	1	
003	28451-ZG1-004	PULLEY, STARTER	(1)	
004	28451-ZG0-003	PULLEY, STARTER	1	2411011
007	31100-ZG0-010	FLYWHEEL COMP.	1	
009	90741-147-000	KEY, WOODRUFF	1	
010	94050-12000	NUT, FLANGE, 12MM	1	



Ref	Partnumber	Description	G100K1	Serial Numbers
001	30500-ZG0-013	COIL ASSY., IGNITION	(1)	
003	30563-ZG0-000	GROMMET, HIGH TENSION CORD	1	
005	30701-888-004	CAP, HIGH TENSION (TOYO)	(1)	
005	30701-888-013	CAP, HIGH TENSION (SUMITOMO)	(1)	
006	30702-888-003	TERMINAL, PLUG	(1)	
008	36101-ZG0-000	CORD, STOP SWITCH	1	
010	90121-952-000	BOLT, FLANGE, 6X25 (CT200)	(6)	

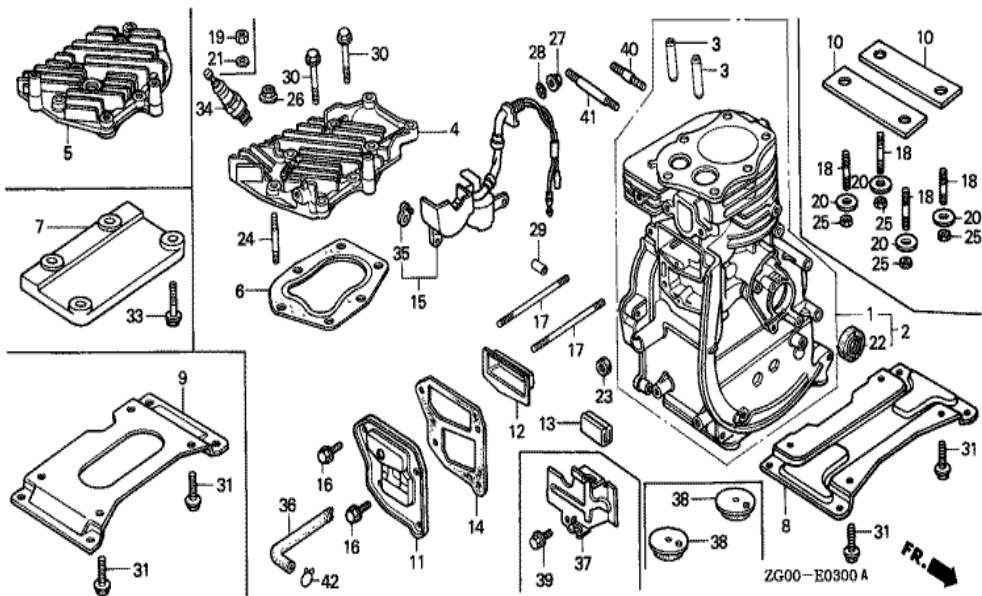


<u>Ref</u>	<u>Partnumber</u>	<u>Description</u>	<u>G100K1</u>	<u>Serial Numbers</u>
001	16551-ZG0-000	ARM, GOVERNOR	1	
002	16555-ZG0-000	ROD, GOVERNOR	1	
003	16561-ZG0-000	SPRING, GOVERNOR	1	
004	16562-ZG0-000	SPRING, THROTTLE RETURN	1	3266028
007	16570-ZG0-S10	CONTROL ASSY. (REMOTE)	1	
009	16571-ZG0-810	LEVER, CONTROL (REMOTE)	1	1443596
011	16572-ZG0-810	BASE COMP., CONTROL (REMOTE)	(1)	
016	16584-883-300	SPRING, CONTROL ADJUSTING	1	3107357
017	16592-896-610	SPRING, RETURN	(1)	
018	16594-883-010	HOLDER, WIRE	1	3266028
020	91552-ZG0-810	COLLAR, CONTROL LEVER	1	1443596
021	90013-883-000	BOLT, FLANGE, 6X12 (CT200)	2	
022	90015-ZE5-010	BOLT, GOVERNOR ARM	1	
<u>Ref</u>	<u>Partnumber</u>	<u>Description</u>	<u>G100K1</u>	<u>Serial Numbers</u>
025	90605-230-000	CIRCLIP, 5MM	1	3266028
027	92101-040060H	BOLT, HEX., 4X6	1	2423060
027	92101-040080H	BOLT, HEX., 4X8	1	2423061
030	94050-06000	NUT, FLANGE, 6MM	1	3266028
031	94050-06000	NUT, FLANGE, 6MM	1	1955482
036	54717-ZG0-S00	BOLT, CABLE ADJUSTING (6X34)	1	3103518 3266028
038	94002-060000S	NUT, HEX., 6MM	2	3103518 3266028

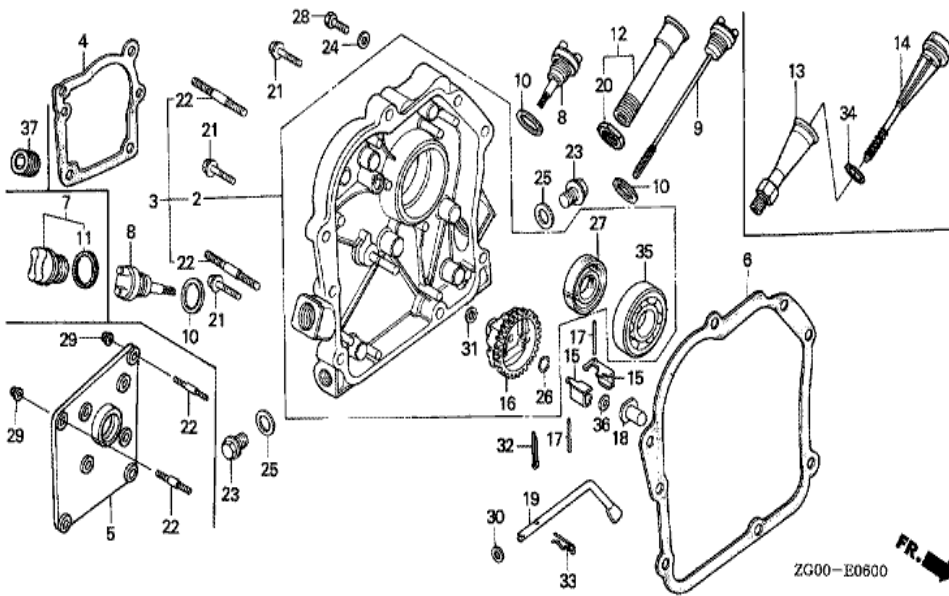


ZG00-E2800

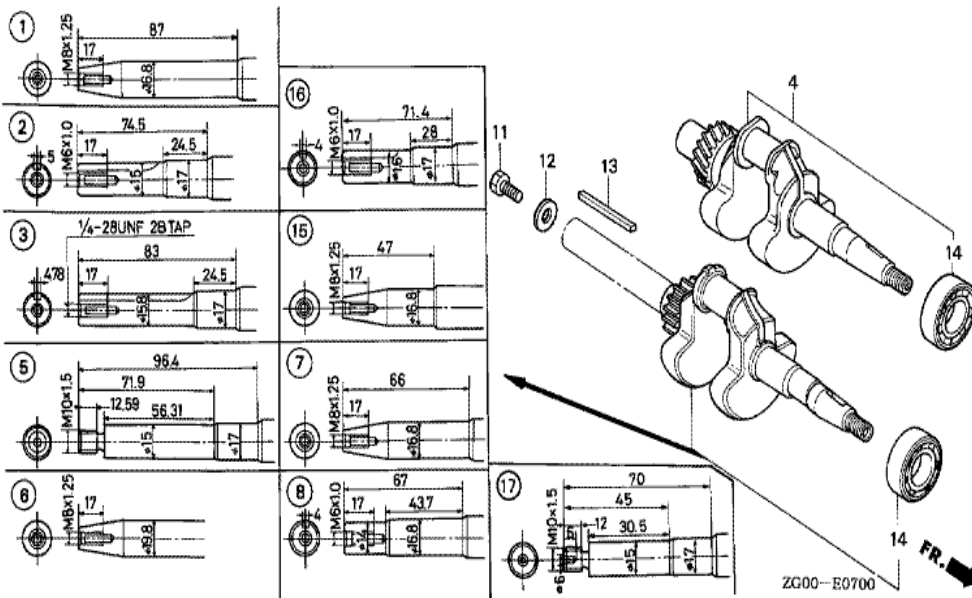
Ref	Partnumber	Description	G100K1	Serial Numbers
004	87521-ZG0-000	EMBLEM (JAPANESE/ENGLISH) (3600 R.P.M.)	(1)	
013	87528-ZG0-000	MARK, COCK	(1)	



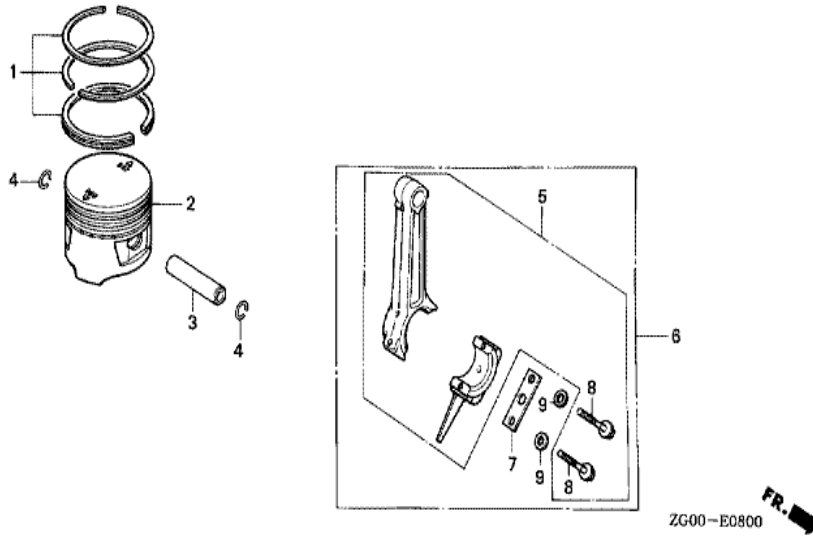
<u>Ref</u>	<u>Partnumber</u>	<u>Description</u>	<u>G100K1</u>	<u>Serial Numbers</u>
002	120A0-ZG0-010	BARREL ASSY., CYLINDER	1	
003	12133-896-306	GUIDE, VALVE (O.S.)	(2)	
005	12221-ZG0-900	HEAD, CYLINDER	1	
006	12281-ZG0-003	GASKET, CYLINDER HEAD	1	
011	12361-ZG0-000	COVER, TAPPET ROOM	1	3141519
012	12370-ZG0-000	SEPARATOR COMP., INNER	1	
014	12375-ZG0-010	GASKET, TAPPET COVER	1	
016	90002-892-000	BOLT, FLANGE, 5X10	4	
017	90041-896-000	BOLT, STUD, 5X80	2	3047225
019	90282-329-000	NUT, 6X15	2	
021	90545-044-000	WASHER, CRANK ARM	2	
022	91202-892-003	OIL SEAL, 17X30X6 (ARAI)	1	
022	91202-892-004	OIL SEAL, 17X30X6 (NOK)	1	
<u>Ref</u>	<u>Partnumber</u>	<u>Description</u>	<u>G100K1</u>	<u>Serial Numbers</u>
023	91231-816-000	OIL SEAL, 5X10X4	1	
024	92932-060503B	BOLT, STUD, 6X50	2	3245070
029	94301-08140	DOWEL PIN, 8X14	2	
030	95818-0603500	BOLT, FLANGE, 6X35	4	
034	98073-54750	PLUG, SPARK (W14M-U) (DENSO)	(1)	



<u>Ref</u>	<u>Partnumber</u>	<u>Description</u>	<u>G100K1</u>	<u>Serial Numbers</u>
002	11300-ZG0-S12	COVER ASSY., CRANKCASE	1	
006	11381-ZG0-800	PACKING, CASE COVER	1	
008	15620-ZG0-003	CAP, OIL FILLER	1	
010	15625-ZG0-000	PACKING, OIL FILLER CAP	1	
015	16511-896-000	WEIGHT, GOVERNOR	2	
016	16512-ZG0-000	HOLDER, GOVERNOR WEIGHT	1	
017	16513-ZE1-000	PIN, GOVERNOR WEIGHT	2	
018	16531-ZG0-000	SLIDER, GOVERNOR	1	
019	16541-896-000	SHAFT, GOVERNOR ARM	1	
021	90015-883-000	BOLT, FLANGE, 6X28 (CT200)	6	
023	90131-ZE1-000	BOLT, DRAIN PLUG	2	
025	90601-ZE1-000	WASHER, DRAIN PLUG, 10.2MM	2	
026	90602-ZE1-000	CLIP, GOVERNOR HOLDER	1	
<u>Ref</u>	<u>Partnumber</u>	<u>Description</u>	<u>G100K1</u>	<u>Serial Numbers</u>
027	91202-892-004	OIL SEAL, 17X30X6 (NOK)	1	
030	94101-05000	WASHER, PLAIN, 5MM	1	
031	94101-06000	WASHER, PLAIN, 6MM	1	
033	94251-08000	PIN, LOCK, 8MM	1	
035	96100-6203000	BEARING, RADIAL BALL, 6203	1	

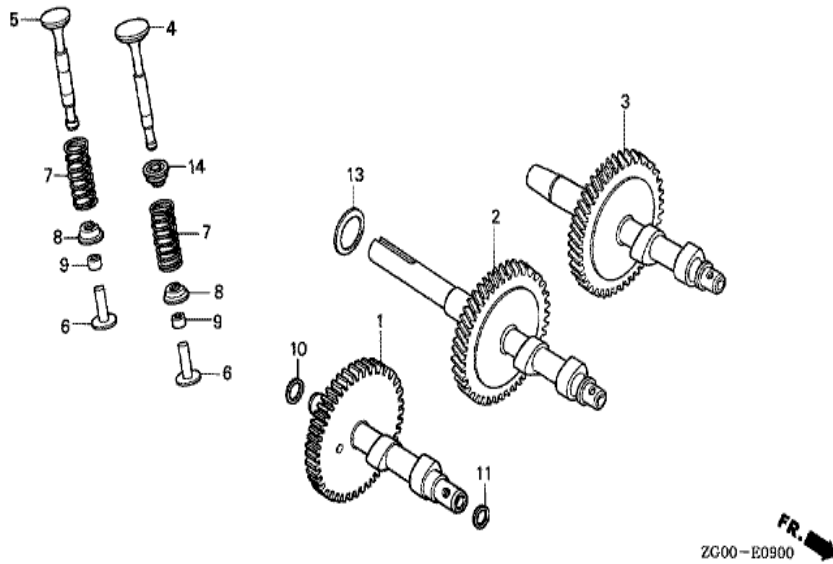


Ref	Partnumber	Description	G100K1	Serial Numbers
011	92101-060180A	BOLT, HEX., 6X18	(1)	
012	90473-896-000	WASHER, 6MM	(1)	
014	96100-6203000	BEARING, RADIAL BALL, 6203	1	
016	13310-ZG0-S01	CRANKSHAFT COMP.	1	



<u>Ref</u>	<u>Partnumber</u>	<u>Description</u>	<u>G100K1</u>	<u>Serial Numbers</u>
001	13010-ZG0-003	RING SET, PISTON (STD.) (TEIKOKU)	1	
001	13010-ZG0-004	RING SET, PISTON (STD.) (NIPPON)	1	
001	13011-ZG0-003	RING SET, PISTON (0.25) (TEIKOKU)	(1)	
001	13011-ZG0-004	RING SET, PISTON (0.25) (NIPPON)	(1)	
001	13012-ZG0-003	RING SET, PISTON (0.50) (TEIKOKU)	(1)	
001	13012-ZG0-004	RING SET, PISTON (0.50) (NIPPON)	(1)	
001	13013-ZG0-003	RING SET, PISTON (0.75) (TEIKOKU)	(1)	
001	13013-ZG0-004	RING SET, PISTON (0.75) (NIPPON)	(1)	
002	13101-ZG0-003	PISTON (STD.)	1	
002	13102-ZG0-003	PISTON (0.25)	(1)	
002	13103-ZG0-003	PISTON (0.50)	(1)	
002	13104-ZG0-003	PISTON (0.75)	(1)	
003	13111-892-000	PIN, PISTON	1	
<u>Ref</u>	<u>Partnumber</u>	<u>Description</u>	<u>G100K1</u>	<u>Serial Numbers</u>
004	13115-147-000	CLIP, PISTON PIN, 10MM	2	
005	13200-ZG0-000	ROD ASSY., CONNECTING (STD.)	1	1443596
005	13200-ZG0-305	ROD ASSY., CONNECTING (0.25 UNDER SIZE)	(1)	1443596
008	90001-ZG0-000	BOLT, CONNECTING ROD	2	1443596



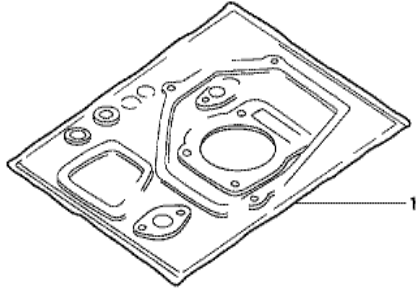


ZG00-E0900

<u>Ref</u>	<u>Partnumber</u>	<u>Description</u>	<u>G100K1</u>	<u>Serial Numbers</u>
001	14111-ZC0-000	CAMSHAFT COMP.	1	2346140
004	14711-ZG0-000	VALVE, IN.	1	
005	14721-ZG0-000	VALVE, EX.	1	
006	14732-ZC0-000	LIFTER, VALVE	2	2063202
007	14751-896-000	SPRING, VALVE	2	
008	14771-ZG0-000	RETAINER, VALVE SPRING	2	1443596
009	14801-892-000	ADJUSTER, TAPPET CLEARANCE (3.15)	2	
009	14803-892-000	ADJUSTER, TAPPET CLEARANCE (3.25)	2	
009	14806-892-000	ADJUSTER, TAPPET CLEARANCE (3.34)	2	
009	14809-892-000	ADJUSTER, TAPPET CLEARANCE (3.43)	2	
009	14812-892-000	ADJUSTER, TAPPET CLEARANCE (3.52)	2	
009	14815-892-000	ADJUSTER, TAPPET CLEARANCE (3.61)	2	
009	14818-892-000	ADJUSTER, TAPPET CLEARANCE (3.72)	2	
<u>Ref</u>	<u>Partnumber</u>	<u>Description</u>	<u>G100K1</u>	<u>Serial Numbers</u>
009	14820-892-000	ADJUSTER, TAPPET CLEARANCE (3.82)	2	
010	90452-ZG0-000	WASHER, 12MM	1	
011	90452-ZG0-000	WASHER, 12MM	1	

G100K1(ZK2)

EOP-1 GASKET KIT



HENG-X0003

<u>Ref</u>	<u>Partnumber</u>	<u>Description</u>	<u>G100K1</u>	<u>Serial Numbers</u>
001	061A1-ZG0-800	GASKET KIT	1	2400908