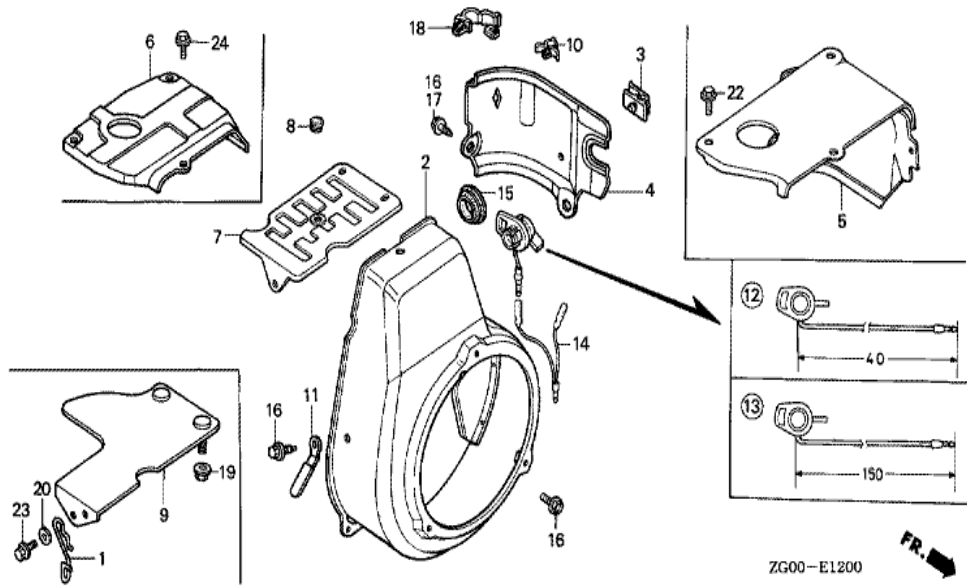


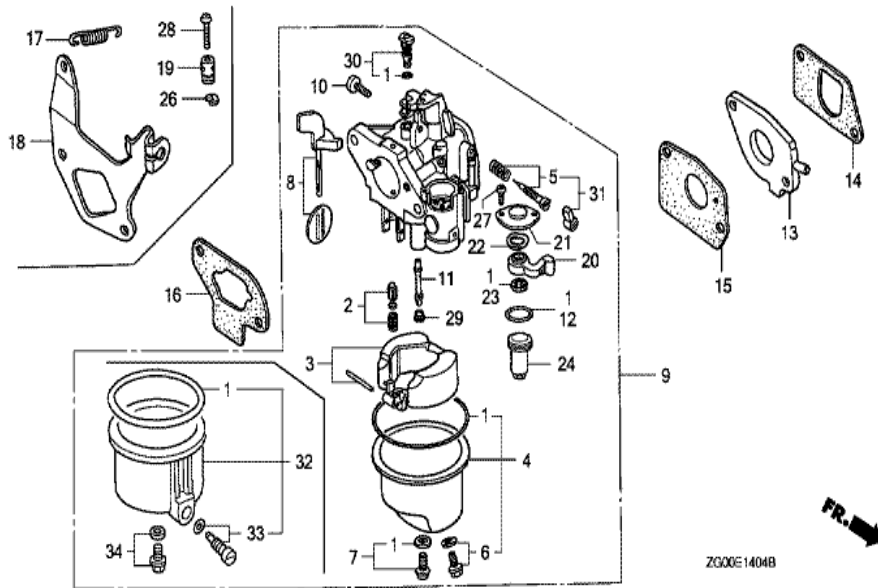
<u>Ref</u>	<u>Partnumber</u>	<u>Description</u>	<u>G100K1</u>	<u>Serial Numbers</u>
001	28400-ZG0-801	STARTER ASSY., RECOIL (###)	1	2423060
001	28400-ZG0-S12ZA	STARTER ASSY., RECOIL *R8 *	1	2423061
002	28410-ZG0-004ZB	CASE COMP., RECOIL STARTER *R8 *	1	2411012 2423060
002	28410-ZG0-014ZB	CASE COMP., RECOIL STARTER *R8 *	1	2423061
003	28420-ZG0-004	REEL, RECOIL STARTER	1	2411012
004	28422-896-010	RATCHET, STARTER	1	
005	28431-896-000	PLATE, FRICTION	1	2411012
006	28441-896-000	SPRING, FRICTION	1	2411012
007	28442-ZE6-003	SPRING, RECOIL STARTER	1	2411012
008	28443-896-000	SPRING, RETURN	1	2411012
009	28461-ZG0-004	GRIP, STARTER	1	2423060
010	28461-ZH8-003	GRIP, STARTER	1	2423061
011	28462-ZG0-801	ROPE, RECOIL STARTER	1	2423060
<u>Ref</u>	<u>Partnumber</u>	<u>Description</u>	<u>G100K1</u>	<u>Serial Numbers</u>
011	28462-ZG0-S12	ROPE, RECOIL STARTER	1	2423061
012	90011-ZG0-000	BOLT, FLANGE, 6X8	3	
013	92101-060120H	BOLT, HEX., 6X12	1	2411012



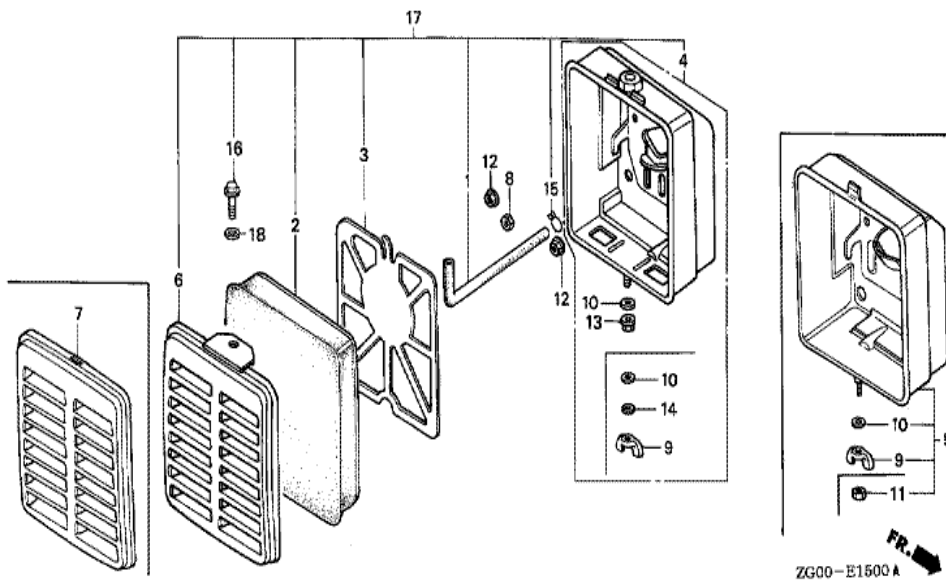
ZG00-E1200



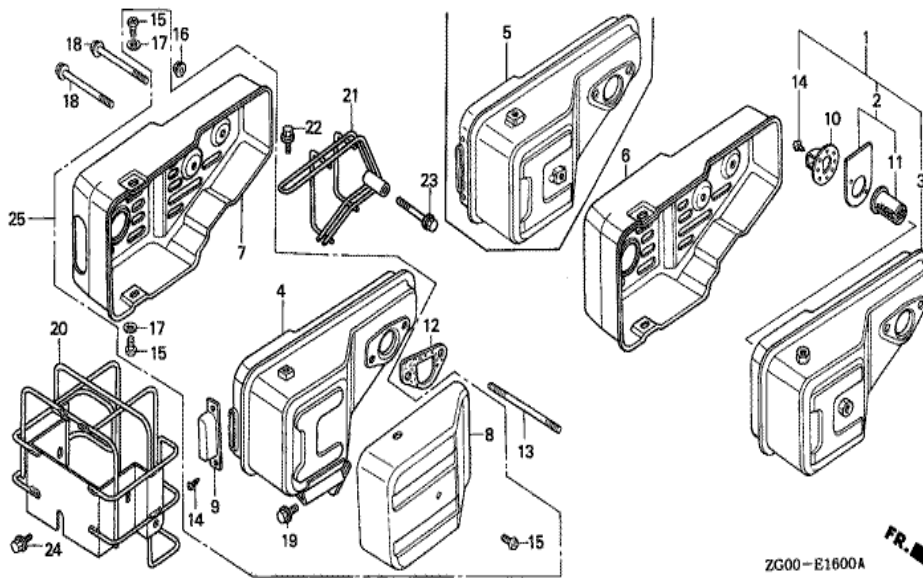
Ref	Partnumber	Description	G100K1	Serial Numbers
002	19610-ZG0-000ZA	COVER COMP., FAN *R8 *	1	3468618
004	19631-ZG0-000	SHROUD	1	
012	36100-ZE1-015	SWITCH ASSY., ENGINE STOP	1	
016	90013-883-000	BOLT, FLANGE, 6X12 (CT200)	4	
017	90013-883-000	BOLT, FLANGE, 6X12 (CT200)	1	
018	90652-SB2-023	CLIP, TUBE, 7MM	1	



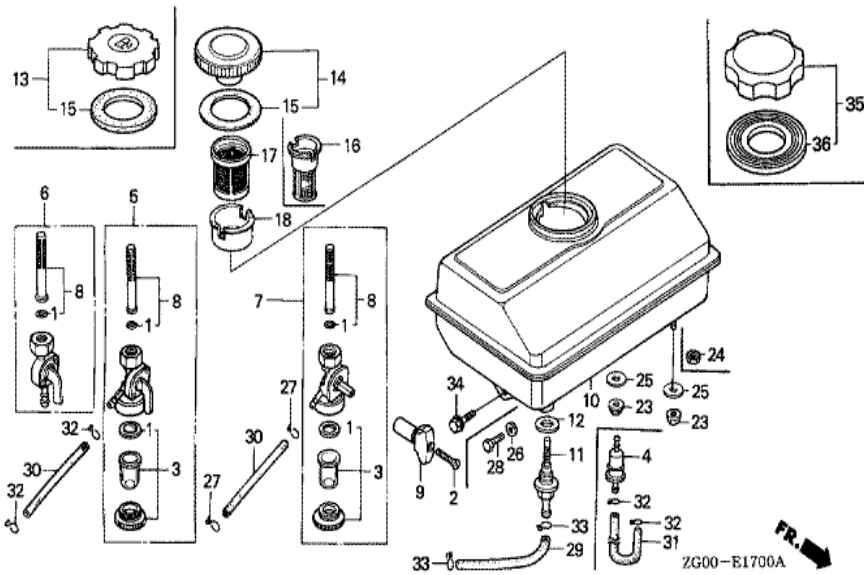
<u>Ref</u>	<u>Partnumber</u>	<u>Description</u>	<u>G100K1</u>	<u>Serial Numbers</u>
001	16010-ZG0-812	GASKET SET	1	BF11F B
002	16011-ZE0-005	VALVE SET, FLOAT	(1)	
003	16013-ZG0-811	FLOAT SET	(1)	
004	16015-ZG0-811	CHAMBER SET, FLOAT	1	BF11F B
005	16016-ZE0-005	SCREW SET, PILOT	1	BF11C C
006	16024-ZE1-811	SCREW SET, DRAIN	1	BF11F B
007	16028-ZG0-811	SCREW SET	(1)	
008	16044-ZG0-811	CHOKE SET	(1)	
009	16100-ZG0-814	CARBURETOR ASSY. (BF01A D/E)	(1)	2037136
010	16124-ZE0-005	SCREW, THROTTLE STOP	(1)	
011	16166-ZG0-811	NOZZLE, MAIN	(1)	
012	16173-ZG0-811	O-RING	(1)	
013	16211-ZG0-020	INSULATOR, CARBURETOR	1	2159777
<u>Ref</u>	<u>Partnumber</u>	<u>Description</u>	<u>G100K1</u>	<u>Serial Numbers</u>
014	16212-ZG0-000	PACKING, INSULATOR	1	2400907
014	16212-ZG0-800	PACKING, INSULATOR	1	2401126
015	16221-ZG0-020	PACKING, CARBURETOR	1	2401286
015	16221-ZG0-801	PACKING, CARBURETOR	1	2401287
016	16269-ZG0-000	PACKING, AIR CLEANER	1	2401298
016	16269-ZG0-800	PACKING, AIR CLEANER	1	
020	16953-ZG0-811	LEVER, COCK	1	BF11C B
021	16954-ZE1-812	PLATE, LEVER SETTING	1	
022	16956-ZE1-811	SPRING, COCK LEVER	(1)	
023	16957-ZE1-812	PACKING, FUEL COCK	(1)	
024	16967-ZG0-811	CUP, FUEL STRAINER	(1)	
027	93500-030061H	SCREW, PAN, 3X6	2	
029	99101-1870580	JET, MAIN, #58	1	BF11C C
029	99101-1870600	JET, MAIN, #60	(1)	
029	99101-1870620	JET, MAIN, #62	(1)	
030	99204-ZE00350	JET SET, PILOT, #35	(1)	



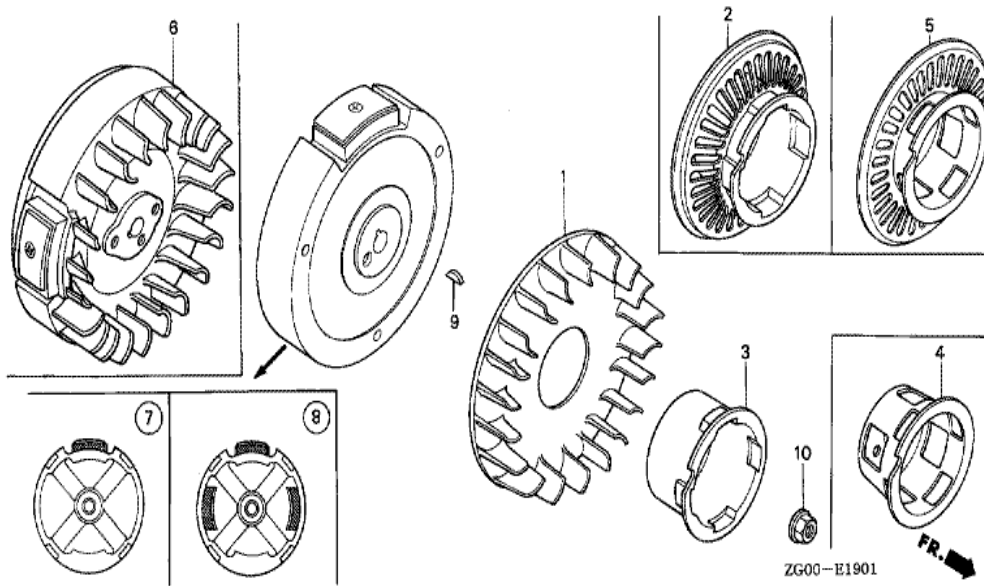
Ref	Partnumber	Description	G100K1	Serial Numbers
001	15721-896-010	TUBE, BREATHER	1	
002	17211-896-000	ELEMENT, AIR CLEANER	1	
003	17212-896-000	GRID, AIR CLEANER	1	
005	17220-ZG0-000	CASE COMP., AIR CLEANER	1	
007	17231-ZG0-000	COVER, AIR CLEANER	1	
009	90325-044-000	NUT, TOOL BOX SETTING	1	
010	94101-06000	WASHER, PLAIN, 6MM	1	3104275
012	94050-05000	NUT, FLANGE, 5MM	2	



Ref	Partnumber	Description	G100K1	Serial Numbers
005	18310-ZG0-810	MUFFLER COMP. (WITH PROTECTOR)	1	2384369
007	18320-ZG0-000	PROTECTOR, MUFFLER	(1)	
008	18321-896-000	SEPARATOR, MUFFLER	(1)	
012	18381-ZG0-000	GASKET, MUFFLER	1	2406784
012	18381-ZG0-800	GASKET, MUFFLER	1	2376620
013	90046-ZG0-000	BOLT, STUD, 6X50	2	
015	93500-060060A	SCREW, PAN, 6X6	(3)	
016	94050-06000	NUT, FLANGE, 6MM	2	

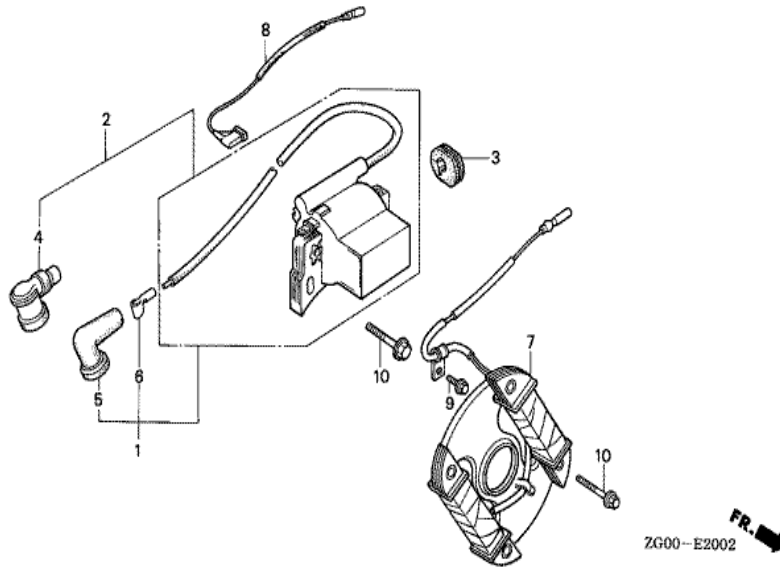


Ref	Partnumber	Description	G100K1	Serial Numbers
010	17510-ZG0-010ZB	TANK COMP., FUEL *NH31 *	1	2418300
011	16955-ZE1-000	JOINT, FUEL TANK	1	2418300
011	17520-ZG0-000	JOINT COMP., FUEL TANK	1	
012	17528-ZG0-000	PACKING, FUEL TANK JOINT	1	2418299
013	17620-ZH7-013	CAP COMP., FUEL FILLER	1	3015990 3204737
013	17620-ZH7-023	CAP COMP., FUEL FILLER (BLACK)	1	3204738 3468618
014	17620-890-010	CAP COMP., FUEL FILLER	1	2173632
015	17631-329-003	PACKING, FUEL FILLER CAP (39X58X3)	1	2172183
016	17672-ZE2-W01	FILTER, FUEL	1	
017	17672-880-000	FILTER, FUEL	1	2415505
018	17673-893-000	HOLDER, FUEL FILTER	1	2415505
023	94050-06000	NUT, FLANGE, 6MM	2	
029	95001-4505540	TUBE, FUEL, 4.5X55 (95001-45001-60M)	1	
Ref	Partnumber	Description	G100K1	Serial Numbers
033	95002-02080	CLIP, TUBE (B8)	2	
034	95701-0601400	BOLT, FLANGE, 6X14	1	



ZG00-E1901

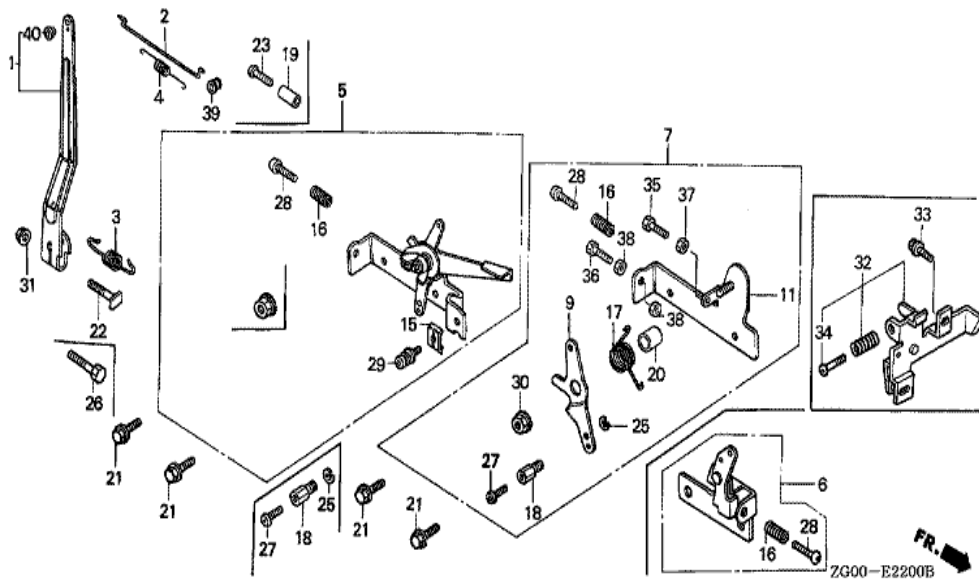
Ref	Partnumber	Description	G100K1	Serial Numbers
001	19511-ZG0-000	FAN, COOLING	1	
002	28450-ZG0-810	PULLEY COMP., STARTER	1	2357295 2384369
007	31100-ZG0-010	FLYWHEEL COMP.	1	
009	90741-147-000	KEY, WOODRUFF	1	
010	94050-12000	NUT, FLANGE, 12MM	1	



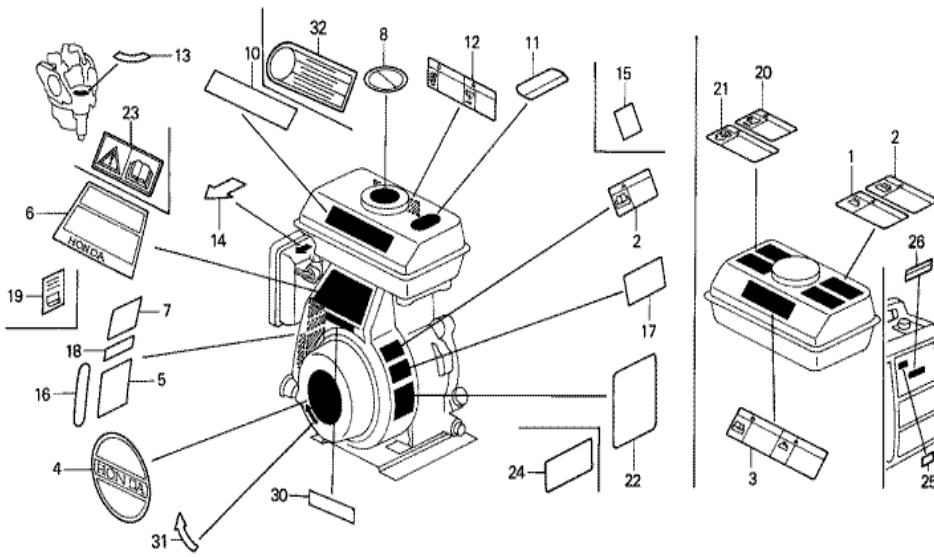
ZG00-E2002



Ref	Partnumber	Description	G100K1	Serial Numbers
001	30500-ZG0-013	COIL ASSY., IGNITION	(1)	
003	30563-ZG0-000	GROMMET, HIGH TENSION CORD	1	
005	30701-888-004	CAP, HIGH TENSION (TOYO)	(1)	
005	30701-888-013	CAP, HIGH TENSION (SUMITOMO)	(1)	
006	30702-888-003	TERMINAL, PLUG	(1)	
008	36101-ZG0-000	CORD, STOP SWITCH	1	
010	90121-952-000	BOLT, FLANGE, 6X25 (CT200)	(6)	

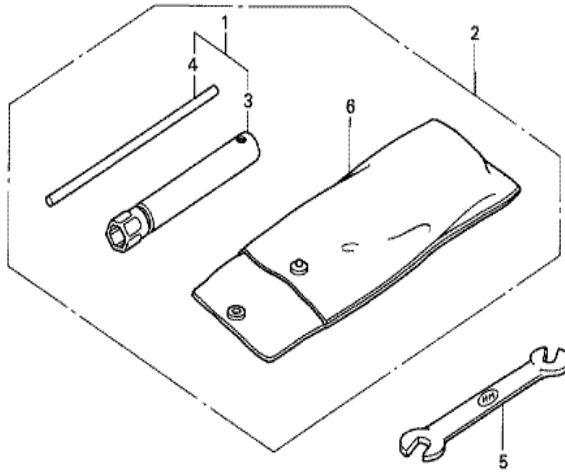


Ref	Partnumber	Description	G100K1	Serial Numbers
001	16551-ZG0-000	ARM, GOVERNOR	1	
002	16555-ZG0-000	ROD, GOVERNOR	1	
003	16561-ZG0-000	SPRING, GOVERNOR	1	
004	16562-ZG0-000	SPRING, THROTTLE RETURN	1	3266028
005	16570-ZG0-000	CONTROL ASSY.	(1)	1443596
015	16576-891-000	HOLDER, CABLE	1	
016	16584-883-300	SPRING, CONTROL ADJUSTING	1	3107357
021	90013-883-000	BOLT, FLANGE, 6X12 (CT200)	2	
022	90015-ZE5-010	BOLT, GOVERNOR ARM	1	
028	93500-050250A	SCREW, PAN, 5X25	1	2208913
029	93500-050160A	SCREW, PAN, 5X16	1	
029	93893-0501600	SCREW-WASHER, 5X16	1	2410410
031	94050-06000	NUT, FLANGE, 6MM	1	1955482



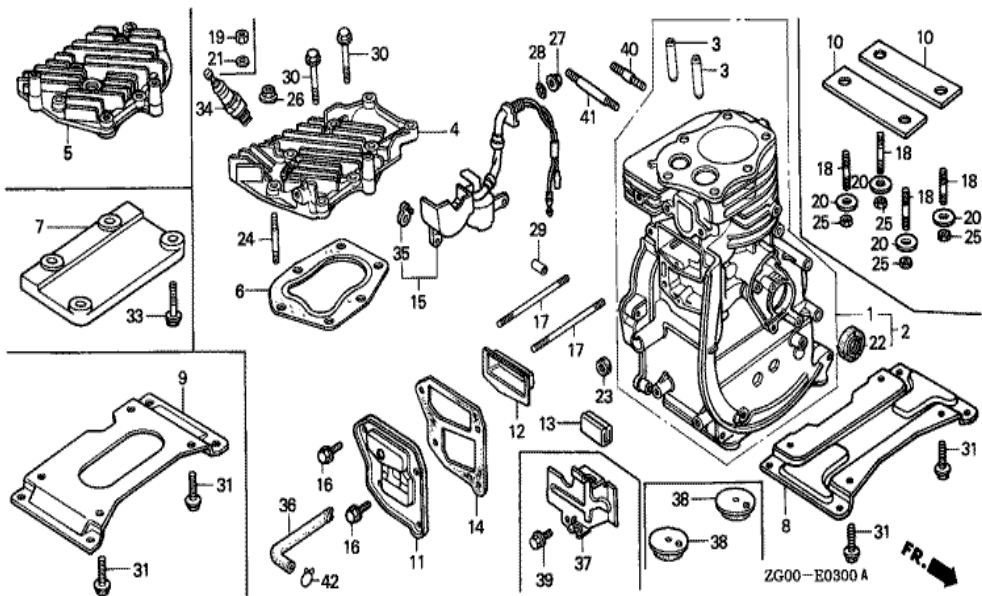
ZG00-E2800

Ref	Partnumber	Description	G100K1	Serial Numbers
004	87521-ZG0-820	EMBLEM (JAPANESE/ENGLISH) (1800 R.P.M.)	(1)	
008	87522-ZE1-010	LABEL, FUEL WARNING	1	2208487 2410697
008	87522-ZE1-810	MARK, CAUTION	1	2376618
013	87528-ZG0-000	MARK, COCK	(1)	
014	87528-883-000	MARK, CHOKE (JAPANESE)	(1)	
016	87532-ZG0-000	MARK, THROTTLE (JAPANESE/ENGLISH)	(1)	

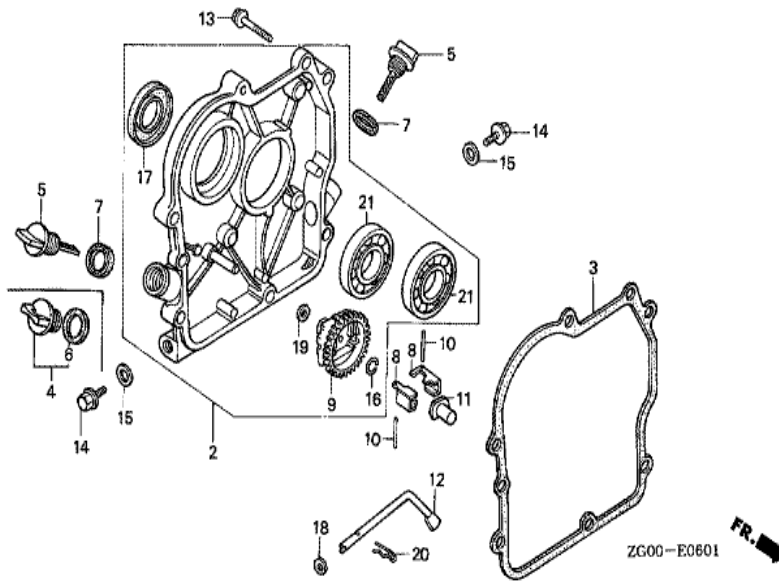


ZG00-E2900

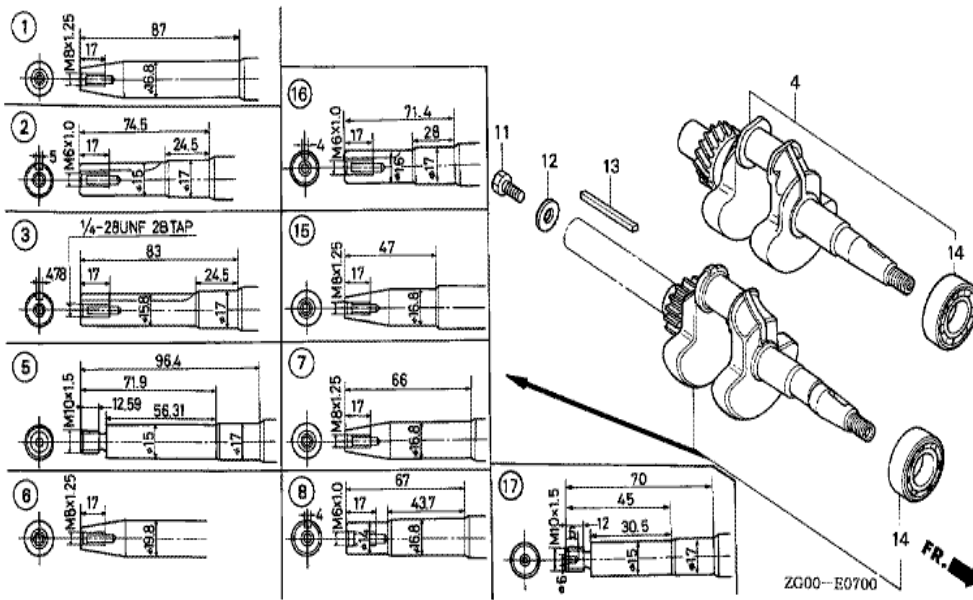
Ref	Partnumber	Description	G100K1	Serial Numbers
003	89216-888-000	WRENCH, SPARK PLUG	1	3358410



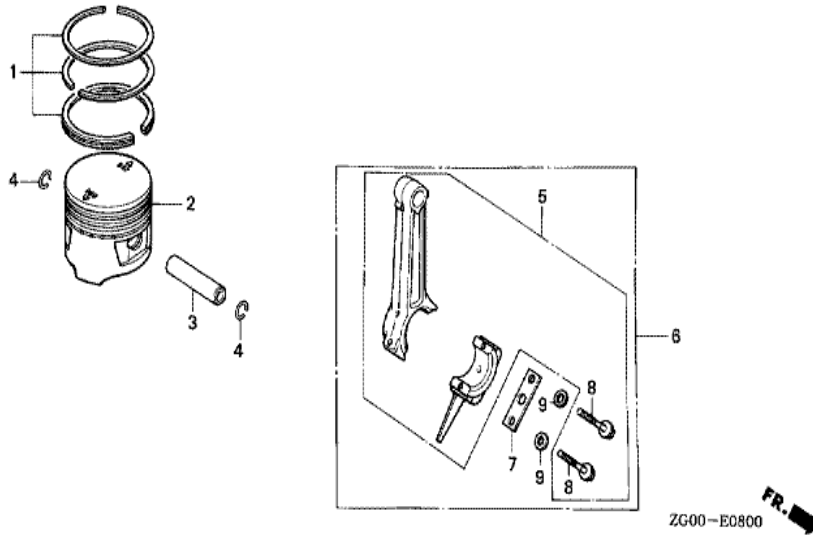
Ref	Partnumber	Description	G100K1	Serial Numbers
002	120A0-ZG0-010	BARREL ASSY., CYLINDER	1	
003	12133-896-306	GUIDE, VALVE (O.S.)	(2)	
004	12221-ZG0-030	HEAD, CYLINDER	1	
006	12281-ZG0-003	GASKET, CYLINDER HEAD	1	
008	12351-ZG0-000	BED, ENGINE (STD.)	1	1443596
011	12361-ZG0-000	COVER, TAPPET ROOM	1	3141519
012	12370-ZG0-000	SEPARATOR COMP., INNER	1	
014	12375-ZG0-010	GASKET, TAPPET COVER	1	
016	90002-892-000	BOLT, FLANGE, 5X10	4	
017	90041-896-000	BOLT, STUD, 5X80	2	3047225
022	91202-892-003	OIL SEAL, 17X30X6 (ARAI)	1	
022	91202-892-004	OIL SEAL, 17X30X6 (NOK)	1	
023	91231-816-000	OIL SEAL, 5X10X4	1	
Ref	Partnumber	Description	G100K1	Serial Numbers
029	94301-08140	DOWEL PIN, 8X14	2	
030	95818-0603500	BOLT, FLANGE, 6X35	4	
031	95700-0801800	BOLT, FLANGE, 8X18	4	
034	98073-54740	PLUG, SPARK (BM-4A) (NGK)	(1)	
034	98073-54750	PLUG, SPARK (W14M-U) (DENSO)	(1)	



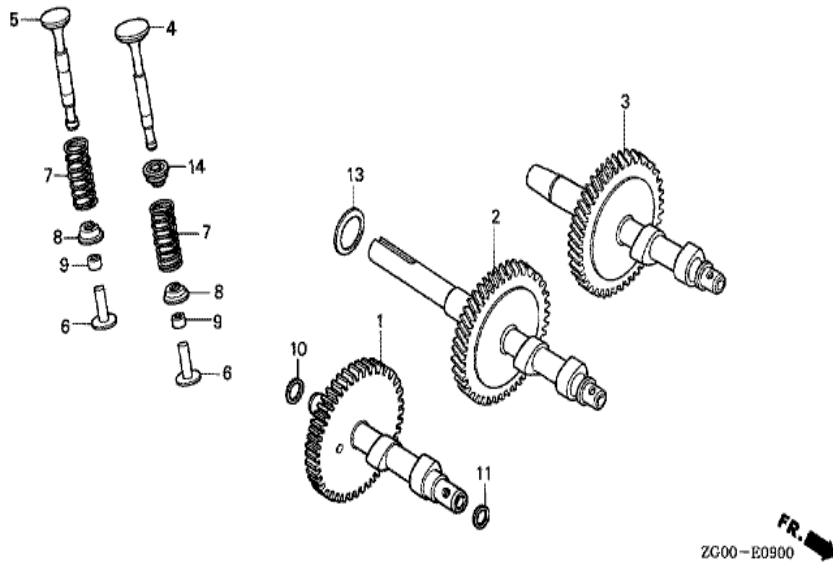
<u>Ref</u>	<u>Partnumber</u>	<u>Description</u>	<u>G100K1</u>	<u>Serial Numbers</u>
002	11300-ZG0-610	COVER ASSY., CRANKCASE	1	
003	11381-ZG0-800	PACKING, CASE COVER	1	
005	15620-ZG0-003	CAP, OIL FILLER	2	3126184
007	15625-ZG0-000	PACKING, OIL FILLER CAP	2	
008	16511-896-000	WEIGHT, GOVERNOR	2	
009	16512-ZG0-610	HOLDER, GOVERNOR WEIGHT	1	
010	16513-ZE1-000	PIN, GOVERNOR WEIGHT	2	
011	16531-ZG0-000	SLIDER, GOVERNOR	1	
012	16541-896-000	SHAFT, GOVERNOR ARM	1	
013	90015-883-000	BOLT, FLANGE, 6X28 (CT200)	6	
014	90131-ZE1-000	BOLT, DRAIN PLUG	2	
015	90601-ZE1-000	WASHER, DRAIN PLUG, 10.2MM	2	
016	90602-ZE1-000	CLIP, GOVERNOR HOLDER	1	
<u>Ref</u>	<u>Partnumber</u>	<u>Description</u>	<u>G100K1</u>	<u>Serial Numbers</u>
017	91202-892-004	OIL SEAL, 17X30X6 (NOK)	1	
018	94101-05000	WASHER, PLAIN, 5MM	1	
019	94101-06000	WASHER, PLAIN, 6MM	1	
020	94251-08000	PIN, LOCK, 8MM	1	
021	96100-6203000	BEARING, RADIAL BALL, 6203	2	



Ref	Partnumber	Description	G100K1	Serial Numbers
004	13310-ZG0-611	CRANKSHAFT COMP.	1	2222633
011	92000-06018	BOLT, HEX., 6X18	(1)	
012	90473-896-000	WASHER, 6MM	(1)	
014	96100-6203000	BEARING, RADIAL BALL, 6203	1	



<u>Ref</u>	<u>Partnumber</u>	<u>Description</u>	<u>G100K1</u>	<u>Serial Numbers</u>
001	13010-ZG0-003	RING SET, PISTON (STD.) (TEIKOKU)	1	
001	13010-ZG0-004	RING SET, PISTON (STD.) (NIPPON)	1	
001	13011-ZG0-003	RING SET, PISTON (0.25) (TEIKOKU)	(1)	
001	13011-ZG0-004	RING SET, PISTON (0.25) (NIPPON)	(1)	
001	13012-ZG0-003	RING SET, PISTON (0.50) (TEIKOKU)	(1)	
001	13012-ZG0-004	RING SET, PISTON (0.50) (NIPPON)	(1)	
001	13013-ZG0-003	RING SET, PISTON (0.75) (TEIKOKU)	(1)	
001	13013-ZG0-004	RING SET, PISTON (0.75) (NIPPON)	(1)	
002	13101-ZG0-003	PISTON (STD.)	1	
002	13102-ZG0-003	PISTON (0.25)	(1)	
002	13103-ZG0-003	PISTON (0.50)	(1)	
002	13104-ZG0-003	PISTON (0.75)	(1)	
003	13111-892-000	PIN, PISTON	1	
<u>Ref</u>	<u>Partnumber</u>	<u>Description</u>	<u>G100K1</u>	<u>Serial Numbers</u>
004	13115-147-000	CLIP, PISTON PIN, 10MM	2	
005	13200-ZG0-000	ROD ASSY., CONNECTING (STD.)	1	1443596
005	13200-ZG0-305	ROD ASSY., CONNECTING (0.25 UNDER SIZE)	(1)	1443596
008	90001-ZG0-000	BOLT, CONNECTING ROD	2	1443596

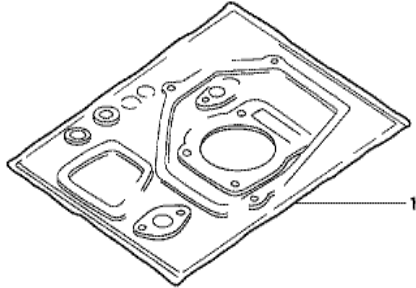


ZG00-E0900

<u>Ref</u>	<u>Partnumber</u>	<u>Description</u>	<u>G100K1</u>	<u>Serial Numbers</u>
002	14111-ZG0-610	CAMSHAFT	1	
004	14711-ZG0-000	VALVE, IN.	1	
005	14721-ZG0-000	VALVE, EX.	1	
006	14732-ZC0-000	LIFTER, VALVE	2	2063202
007	14751-896-000	SPRING, VALVE	2	
008	14771-ZG0-000	RETAINER, VALVE SPRING	2	1443596
009	14801-892-000	ADJUSTER, TAPPET CLEARANCE (3.15)	2	
009	14803-892-000	ADJUSTER, TAPPET CLEARANCE (3.25)	2	
009	14806-892-000	ADJUSTER, TAPPET CLEARANCE (3.34)	2	
009	14809-892-000	ADJUSTER, TAPPET CLEARANCE (3.43)	2	
009	14812-892-000	ADJUSTER, TAPPET CLEARANCE (3.52)	2	
009	14815-892-000	ADJUSTER, TAPPET CLEARANCE (3.61)	2	
009	14818-892-000	ADJUSTER, TAPPET CLEARANCE (3.72)	2	
<u>Ref</u>	<u>Partnumber</u>	<u>Description</u>	<u>G100K1</u>	<u>Serial Numbers</u>
009	14820-892-000	ADJUSTER, TAPPET CLEARANCE (3.82)	2	
013	90456-ZG0-610	WASHER, THRUST SPRING	1	

G100K1(LJ1)

EOP-1 GASKET KIT



HENG-X0003

<u>Ref</u>	<u>Partnumber</u>	<u>Description</u>	<u>G100K1</u>	<u>Serial Numbers</u>
001	061A1-ZG0-800	GASKET KIT	1	2400908