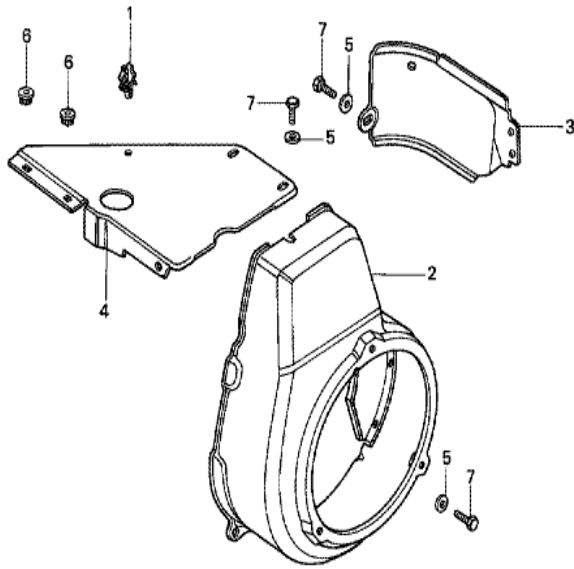


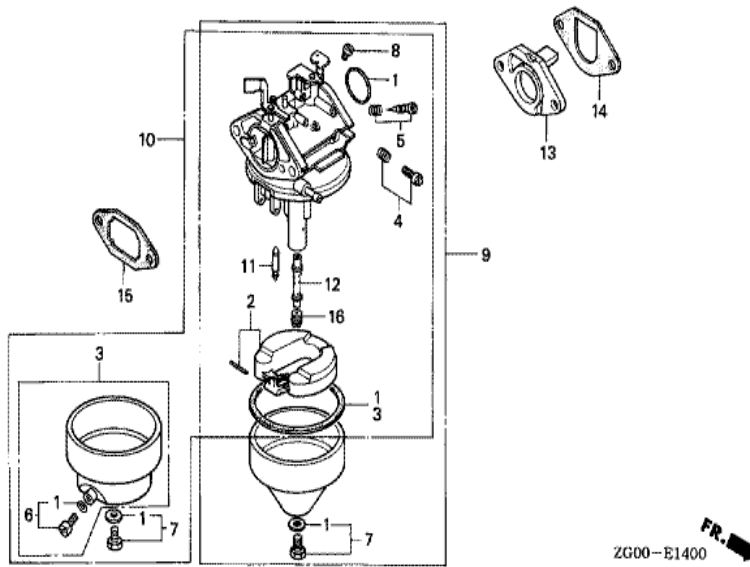
<u>Ref</u>	<u>Partnumber</u>	<u>Description</u>	<u>G100</u>	<u>Serial Numbers</u>
001	28400-896-651	STARTER ASSY., RECOIL	1	
003	28410-896-651	CASE COMP., RECOIL STARTER	1	
005	28414-896-650	CAP, KNOB	1	
005	28414-896-651	CAP, KNOB	1	
006	28420-896-010	PULLEY, RECOIL STARTER	1	
007	28422-896-010	RATCHET, STARTER	1	
008	28431-896-000	PLATE, FRICTION	1	
009	28441-896-650	SPRING, FRICTION	1	
010	28442-896-650	SPRING, RECOIL STARTER	1	
011	28443-896-650	SPRING, RETURN	1	
012	28461-896-000	GRIP, STARTER	1	
013	28462-896-650	ROPE, RECOIL STARTER	1	
014	63303-896-650	SEAL, RECOIL STARTER	1	
<u>Ref</u>	<u>Partnumber</u>	<u>Description</u>	<u>G100</u>	<u>Serial Numbers</u>
015	90003-890-000	BOLT-WASHER, 6X10	3	
016	92000-060144J	BOLT, HEX., 6X14	1	



ZG00-E1201

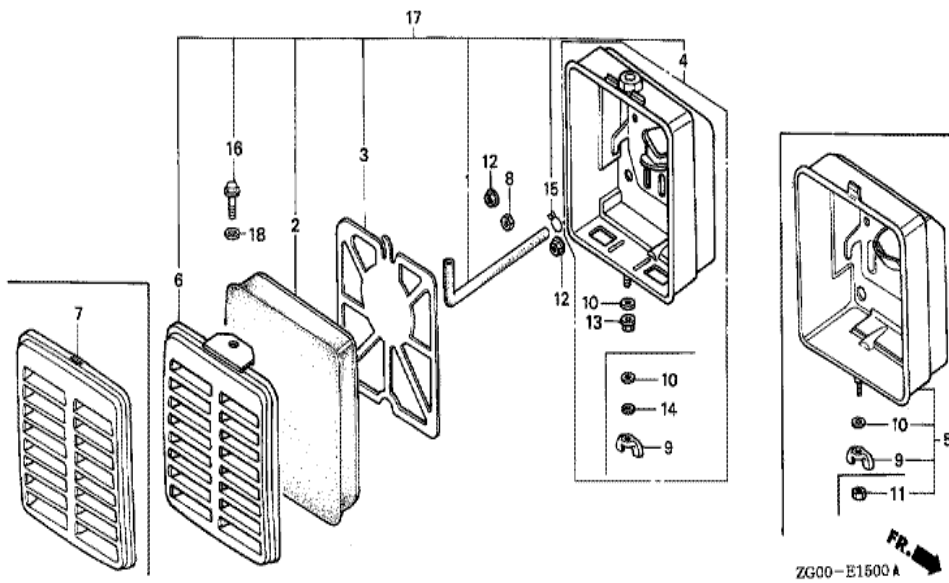


Ref	Partnumber	Description	G100	Serial Numbers
001	15533-898-003	CLIP, TUBE	1	
002	19610-896-650	COVER COMP., FAN	1	
003	19631-896-650	SHROUD	1	
004	19641-896-650	COVER, TOP	1	
005	90504-921-010	WASHER, PLAIN, 6MM	4	
006	90681-896-651	GROMMET, SCREW (M5)	2	
007	92000-060124J	BOLT, HEX., 6X12	4	

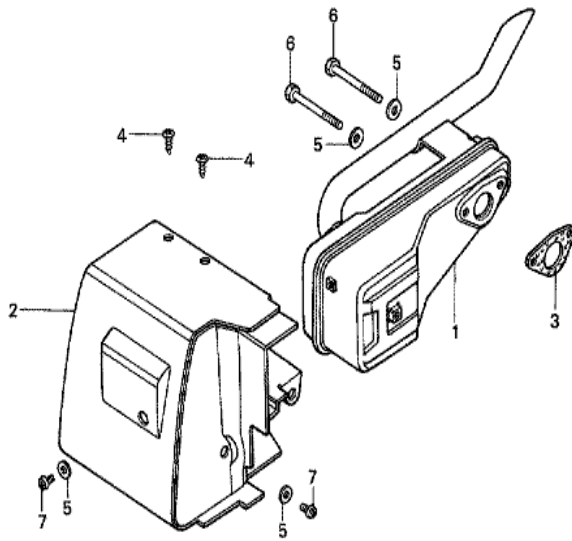


ZG00-E1400

<u>Ref</u>	<u>Partnumber</u>	<u>Description</u>	<u>G100</u>	<u>Serial Numbers</u>
001	16010-896-751	PACKING SET	1	BB08C A
002	16013-883-005	FLOAT SET	(1)	
003	16015-896-651	CHAMBER SET, FLOAT	1	
005	16016-892-005	SCREW SET A	1	
005	16016-896-005	SCREW SET A	1	
006	16024-890-731	SCREW SET, DRAIN	1	BB08C A
007	16028-883-005	SCREW SET B	(1)	
008	16071-881-003	SCREW, PLUG	(1)	
010	16100-896-651	CARBURETOR ASSY. (BB47A A)	1	
011	16155-883-005	VALVE COMP., FLOAT	(1)	
012	16166-896-005	NOZZLE, MAIN	(1)	
013	16211-896-000	INSULATOR, CARBURETOR	1	
013	16211-896-306	INSULATOR, CARBURETOR	(1)	
<u>Ref</u>	<u>Partnumber</u>	<u>Description</u>	<u>G100</u>	<u>Serial Numbers</u>
014	16212-896-000	GASKET, INSULATOR	1	
015	16269-892-000	PACKING, AIR CLEANER	1	
016	99101-1240450	JET, MAIN, #45	(1)	
016	99101-1240480	JET, MAIN, #48	(1)	
016	99101-1240500	JET, MAIN, #50	(1)	
016	99101-1240520	JET, MAIN, #52	(1)	
016	99101-1240550	JET, MAIN, #55	(1)	



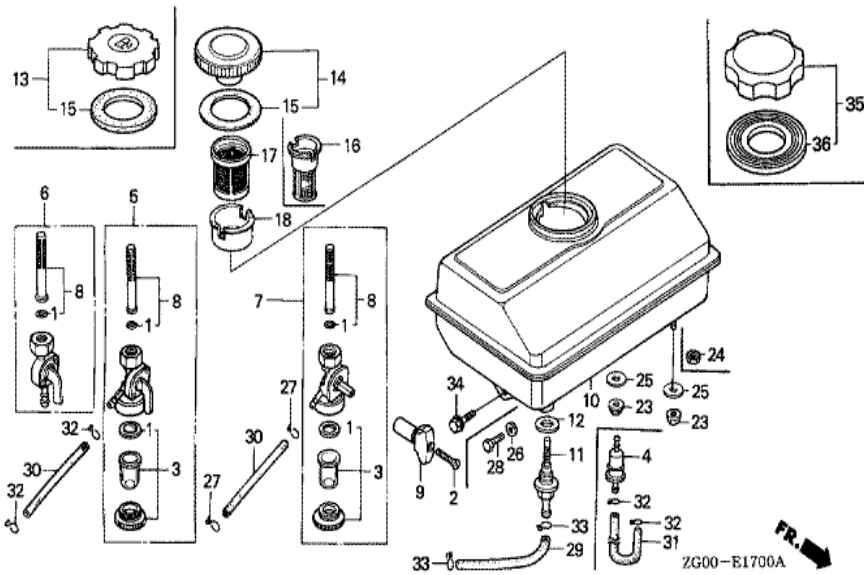
Ref	Partnumber	Description	G100	Serial Numbers
001	15721-896-010	TUBE, BREATHER	1	
002	17211-896-000	ELEMENT, AIR CLEANER	1	
003	17212-896-000	GRID, AIR CLEANER	1	
005	17220-896-650	CASE COMP., AIR CLEANER	1	
007	17231-896-650	COVER, AIR CLEANER	1	
008	94001-054900S	NUT, HEX., 5MM	2	
010	90504-921-010	WASHER, PLAIN, 6MM	1	
011	94001-064900S	NUT, HEX., 6MM	1	



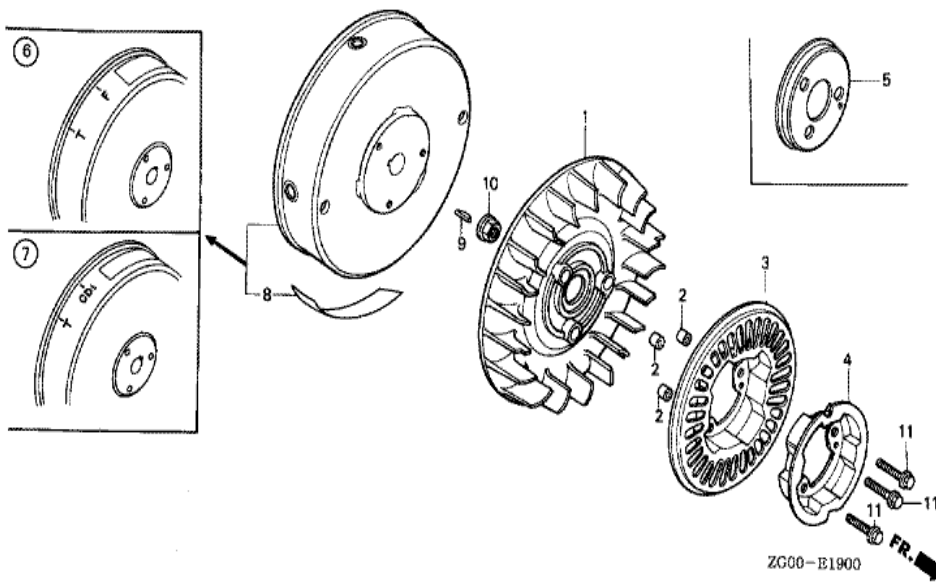
ZG00-E1601



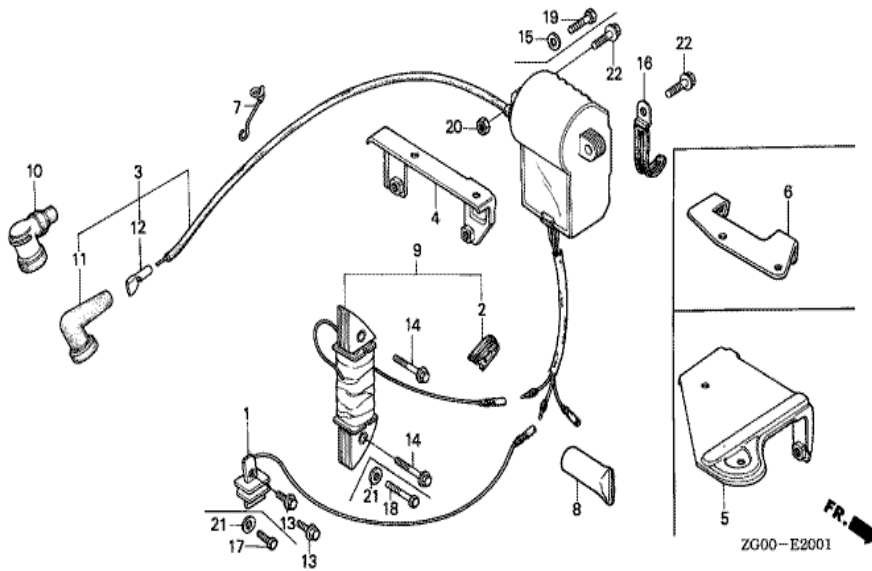
Ref	Partnumber	Description	G100	Serial Numbers
001	18310-896-650	MUFFLER COMP.	1	
002	18321-896-650	SEPARATOR, MUFFLER	1	
003	18381-896-000	GASKET, MUFFLER	1	
004	90102-634-000	SCREW, TAPPING, 5X12	2	
005	90504-921-010	WASHER, PLAIN, 6MM	5	
006	92000-060404J	BOLT, HEX., 6X40	2	
007	93500-060064J	SCREW, PAN, 6X6	3	



<u>Ref</u>	<u>Partnumber</u>	<u>Description</u>	<u>G100</u>	<u>Serial Numbers</u>
001	16080-883-005	PACKING SET, COCK	(1)	
002	16080-896-650	SCREW, OVAL, 4X30	1	
003	16081-883-015	CUP SET, FUEL STRAINER	(1)	
007	16950-896-651	COCK ASSY., FUEL	1	
008	16952-883-005	SCREEN SET	(1)	
009	16963-191-005	LEVER, FUEL COCK	1	
010	17510-896-000	TANK COMP., FUEL	1	
014	17620-890-000	CAP COMP., FUEL FILLER	1	
015	17631-329-000	PACKING, FUEL FILLER CAP	1	2172182
017	17672-880-000	FILTER, FUEL	1	2415505
018	17673-896-650	HOLDER, FUEL FILTER	1	
024	90304-896-650	NUT, HEX., 6MM	2	
026	90504-921-010	WASHER, PLAIN, 6MM	1	
<u>Ref</u>	<u>Partnumber</u>	<u>Description</u>	<u>G100</u>	<u>Serial Numbers</u>
027	90602-921-000	CLIP, TUBE (B8)	2	
028	92000-060144J	BOLT, HEX., 6X14	1	
030	95001-4506740	TUBE, FUEL, 4.5X67 (95001-45001-60M)	1	

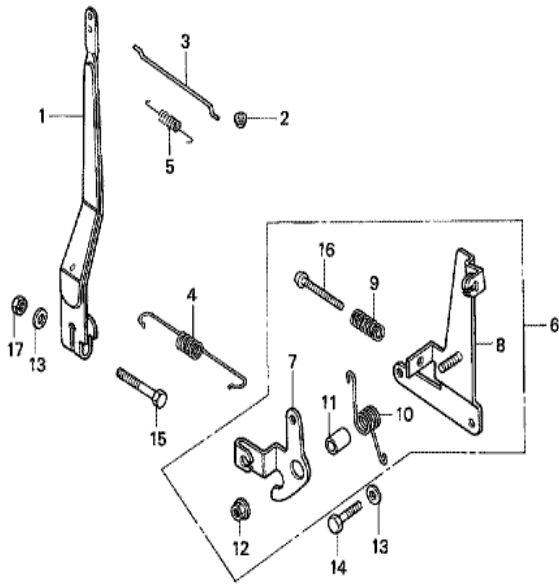


Ref	Partnumber	Description	G100	Serial Numbers
001	19511-896-000	FAN, COOLING	1	
002	19512-896-000	COLLAR, FAN	3	
004	28453-896-651	PULLEY, STARTER	1	
007	31100-896-650	FLYWHEEL COMP. (C.D.I.)	1	
008	87541-896-000	MARK, FLYWHEEL CAUTION	(1)	
009	90741-147-000	KEY, WOODRUFF	1	
010	94050-12080	NUT, FLANGE, 12MM	1	
011	95800-0602208	BOLT, FLANGE, 6X22	3	



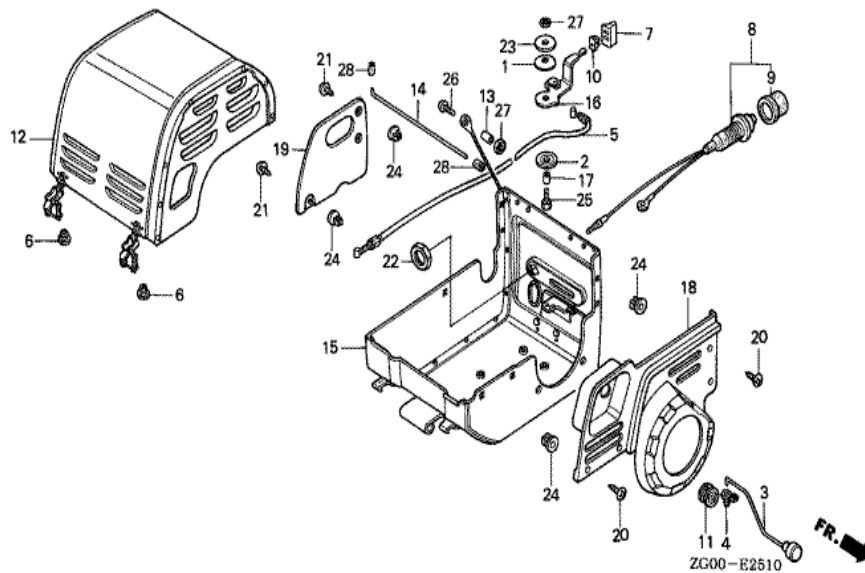
<u>Ref</u>	<u>Partnumber</u>	<u>Description</u>	<u>G100</u>	<u>Serial Numbers</u>
001	30410-896-602	COIL, PULSER	1	1051339
002	30563-896-601	GROMMET, CORD	(1)	1051339
003	30580-896-650	C.D.I. UNIT	1	
006	30586-896-650	STAY, C.D.I. UNIT	1	
008	30589-896-600	COVER, TERMINAL	(1)	
009	30590-896-602	COIL, EXCITER	1	1051339
009	30590-896-652	COIL, EXCITER	1	1367018
011	30701-888-004	CAP, HIGH TENSION (TOYO)	(1)	
011	30701-888-013	CAP, HIGH TENSION (SUMITOMO)	(1)	
012	30702-888-003	TERMINAL, PLUG	(1)	
015	90504-921-010	WASHER, PLAIN, 6MM	2	
016	91405-671-000	CLIP, WIRE	(1)	
017	92000-050124J	BOLT, HEX., 5X12	2	
<u>Ref</u>	<u>Partnumber</u>	<u>Description</u>	<u>G100</u>	<u>Serial Numbers</u>
018	92000-050254J	BOLT, HEX., 5X25	2	
019	92000-060224J	BOLT, HEX., 6X22	2	
020	94001-064900S	NUT, HEX., 6MM	2	
021	94101-05200	WASHER, PLAIN, 5MM	4	



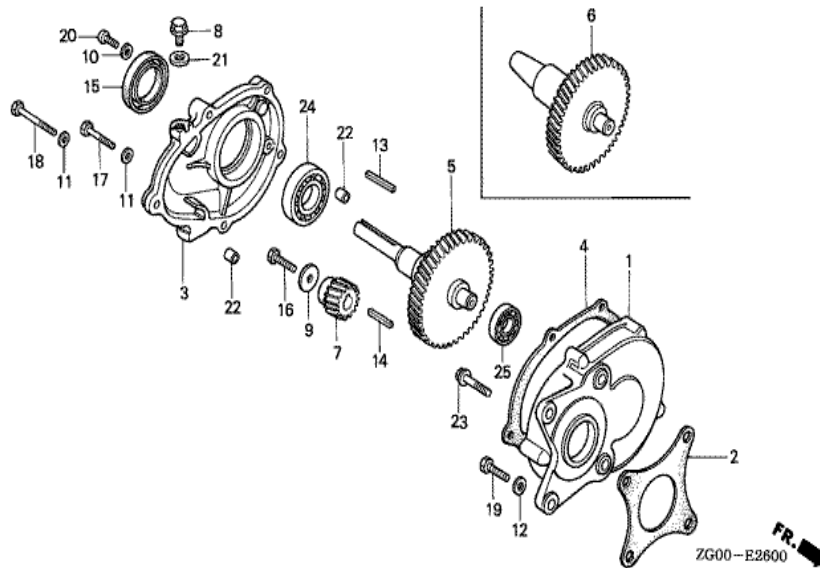


ZG00-E2201

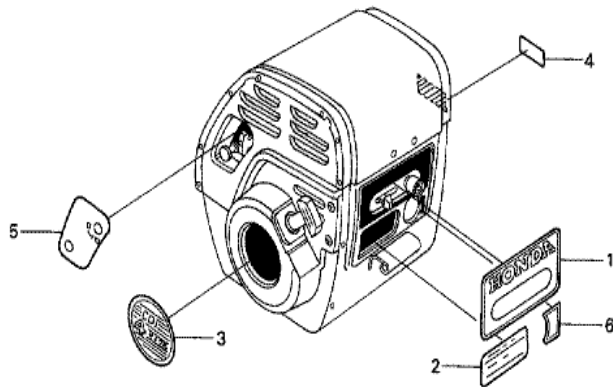
<u>Ref</u>	<u>Partnumber</u>	<u>Description</u>	<u>G100</u>	<u>Serial Numbers</u>
001	16551-896-650	ARM, GOVERNOR	1	
002	16552-896-650	COLLAR, LEVER	1	
003	16555-896-650	ROD, GOVERNOR	1	
004	16561-896-650	SPRING, GOVERNOR	1	
005	16562-896-000	SPRING, THROTTLE RETURN	1	
006	16570-896-650	CONTROL ASSY.	1	
007	16571-896-650	LEVER, CONTROL	1	
008	16572-896-650	BASE COMP., CONTROL	1	
009	16584-896-650	SPRING, CONTROL ADJUSTING	1	
010	16592-896-650	SPRING, RETURN	1	
011	84705-896-650	COLLAR, 6MM	1	
012	90301-425-870	NUT, FLANGE, 6MM	1	
013	90504-921-010	WASHER, PLAIN, 6MM	3	
<u>Ref</u>	<u>Partnumber</u>	<u>Description</u>	<u>G100</u>	<u>Serial Numbers</u>
014	92000-060124J	BOLT, HEX., 6X12	2	
015	92000-060224J	BOLT, HEX., 6X22	1	
016	93500-050250B	SCREW, PAN, 5X25	1	
017	94002-064900S	NUT, HEX., 6MM	1	



<u>Ref</u>	<u>Partnumber</u>	<u>Description</u>	<u>G100</u>	<u>Serial Numbers</u>
001	16574-896-650	SPRING, LEVER	1	
002	16576-883-300	SPACER, CONTROL LEVER	1	
003	16611-896-650	ROD, CHOKE	1	
004	16612-896-651	BUSH, LINKAGE	1	
005	17910-896-650	CABLE, THROTTLE	1	
006	32170-647-000	GROMMET, WINDOW DEFROSTER	2	
007	32343-892-003	KNOB, COCK LEVER	1	
008	36100-896-651	SWITCH ASSY., ENGINE STOP	1	
009	36101-881-003	CAP, BUTTON	1	
010	36106-892-003	BUSH, CONTROL KNOB	1	
011	38625-693-000	GROMMET, TUBE	1	
012	63101-896-650	COVER, ENGINE	1	
013	63107-896-650	COLLAR, ENGINE COVER	1	
<u>Ref</u>	<u>Partnumber</u>	<u>Description</u>	<u>G100</u>	<u>Serial Numbers</u>
014	63108-896-650	SHAFT, HINGE	1	
015	63200-896-650	CASE COMP., ENGINE	1	
016	63204-896-650	LEVER, THROTTLE CONTROL	1	
017	63205-896-650	COLLAR, CONTROL BASE	1	
018	63301-896-650	COVER, SIDE	1	
019	63305-896-650	PLATE, ENGINE SIDE	1	
020	90082-896-650	SCREW, TAPPING, 5X16	4	
021	90102-634-000	SCREW, TAPPING, 5X12	3	
022	90302-921-000	NUT, HEX., 16MM	1	
023	90501-896-650	WASHER, 4MM	1	
024	90681-896-651	GROMMET, SCREW (M5)	7	
025	92000-040124J	BOLT, HEX., 4X12	1	
026	93500-040104J	SCREW, PAN, 4X10	1	
027	94001-044900S	NUT, HEX., 4MM	2	
028	95005-4501030	TUBE, 4.5X10 (95005-45001-30M)	2	

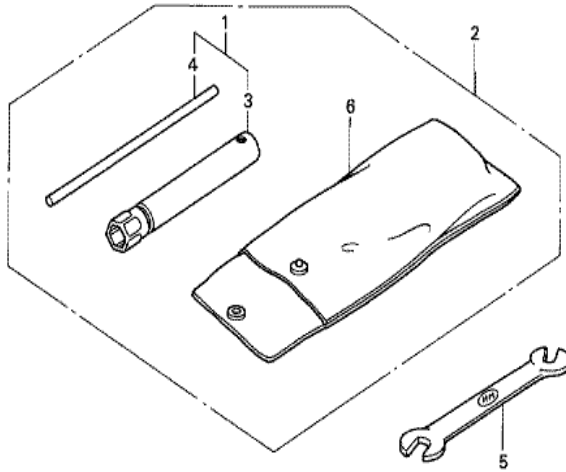


<u>Ref</u>	<u>Partnumber</u>	<u>Description</u>	<u>G100</u>	<u>Serial Numbers</u>
001	21521-896-650	CASE, REDUCTION	1	
002	21591-883-740	PACKING, REDUCTION CASE	(1)	
003	21621-896-650	COVER, REDUCTION	1	
004	21692-896-650	PACKING, REDUCTION COVER	(1)	
005	23710-896-650	GEAR COMP., DRIVEN	1	
007	23721-896-650	GEAR, DRIVE	(1)	
008	90131-896-650	BOLT, DRAIN PLUG, 12X15	1	
009	90473-896-000	WASHER, 6MM	(1)	
010	90478-700-000	WASHER A, 6MM	(1)	
011	90504-921-010	WASHER, PLAIN, 6MM	5	
012	90514-921-000	WASHER, 8MM	2	
013	90746-835-000	KEY, 5X5X33	1	
014	90746-896-650	KEY, 4X4X9	(1)	
<u>Ref</u>	<u>Partnumber</u>	<u>Description</u>	<u>G100</u>	<u>Serial Numbers</u>
015	91202-883-005	OIL SEAL, 25X41X6	(1)	
016	92000-06018	BOLT, HEX., 6X18	(1)	
017	92000-060254J	BOLT, HEX., 6X25	3	
018	92000-060324J	BOLT, HEX., 6X32	2	
019	92000-080224J	BOLT, HEX., 8X22	2	
020	93500-060104J	SCREW, PAN, 6X10	1	
021	94109-12000	WASHER, DRAIN PLUG, 12MM	(1)	
022	94301-08140	DOWEL PIN, 8X14	(2)	
023	95700-0802200	BOLT, FLANGE, 8X22	(2)	
024	96100-6005000	BEARING, RADIAL BALL, 6005	(1)	
025	96100-6202000	BEARING, RADIAL BALL, 6202	(1)	



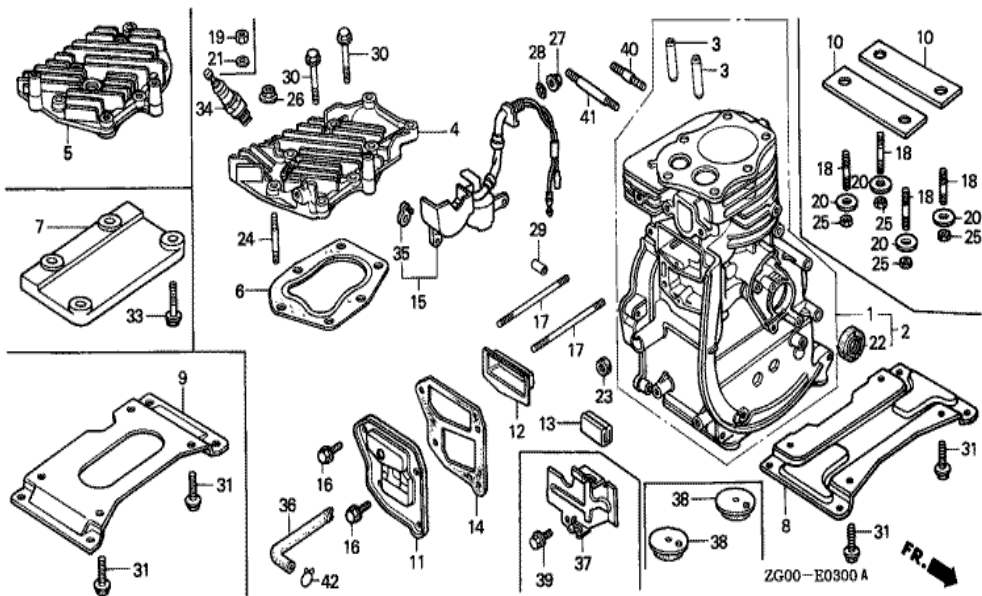
ZG00-E2801

Ref	Partnumber	Description	G100	Serial Numbers
001	87521-896-650	EMBLEM	1	
002	87522-896-650	MARK, CAUTION	1	
003	87523-896-650	MARK, C.D.I.	1	
004	87525-878-000	MARK C, CAUTION	1	
005	87528-896-650	MARK, CHOKE	1	
006	87594-896-650	MARK, OIL CAUTION	1	

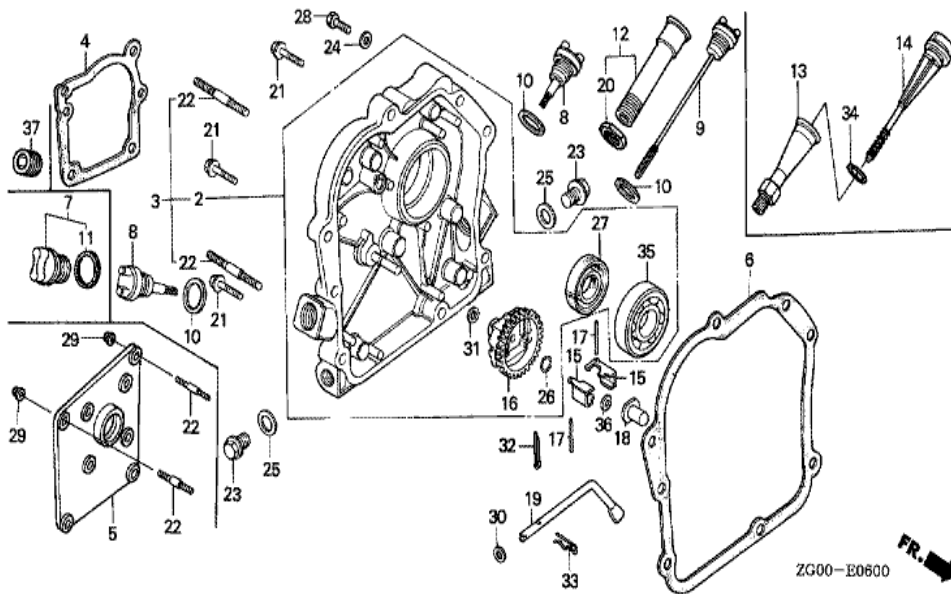


ZG00-E2900

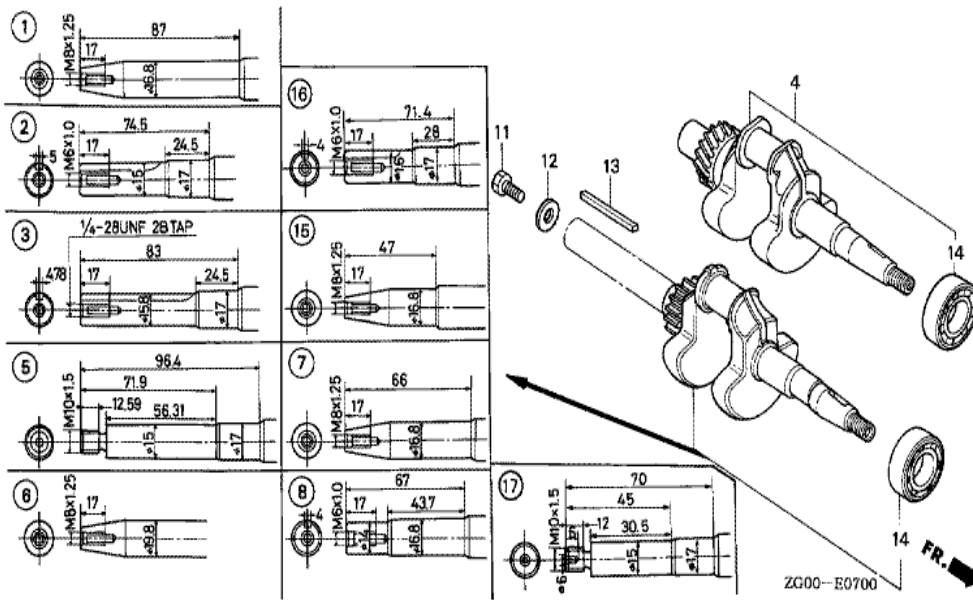
Ref	Partnumber	Description	G100	Serial Numbers
002	89000-896-650	TOOL KIT	1	
003	89216-896-610	WRENCH, SPARK PLUG	(1)	
004	89219-805-000	HANDLE, BOX WRENCH	(1)	
006	99008-02000	BAG, TOOL, 200MM	1	1024849



<u>Ref</u>	<u>Partnumber</u>	<u>Description</u>	<u>G100</u>	<u>Serial Numbers</u>
001	121A0-896-650	BARREL COMP., CYLINDER	1	
003	12133-896-306	GUIDE, VALVE (O.S.)	(2)	
004	12221-896-650	HEAD, CYLINDER	1	
006	12281-896-000	GASKET, CYLINDER HEAD	1	
010	12351-896-650	BED, ENGINE	2	
011	12361-896-000	COVER, TAPPET ROOM	1	
012	12370-896-000	SEPARATOR COMP., INNER	1	
014	12375-896-000	GASKET, TAPPET COVER	1	
016	92000-050104J	BOLT, HEX., 5X10	4	
017	90041-896-650	BOLT, STUD, 5X80	2	
018	90049-896-650	BOLT, STUD, 8X35	4	
020	90514-921-000	WASHER, 8MM	4	
022	91202-892-003	OIL SEAL, 17X30X6 (ARAI)	1	
<u>Ref</u>	<u>Partnumber</u>	<u>Description</u>	<u>G100</u>	<u>Serial Numbers</u>
022	91202-892-004	OIL SEAL, 17X30X6 (NOK)	1	
023	91231-816-000	OIL SEAL, 5X10X4	1	
024	92700-060453B	BOLT, STUD, 6X45	2	
025	94001-083900S	NUT, HEX., 8MM	4	
026	94050-06080	NUT, FLANGE, 6MM	2	
029	94301-08140	DOWEL PIN, 8X14	2	
030	95700-0603508	BOLT, FLANGE, 6X35	4	1001095
030	95718-0603508	BOLT, FLANGE, 6X35	4	1001096
034	98073-54941	PLUG, SPARK (BPM4A-10) (NGK)	(1)	
034	98073-54951	PLUG, SPARK (W14MPU-10) (DENSO)	(1)	

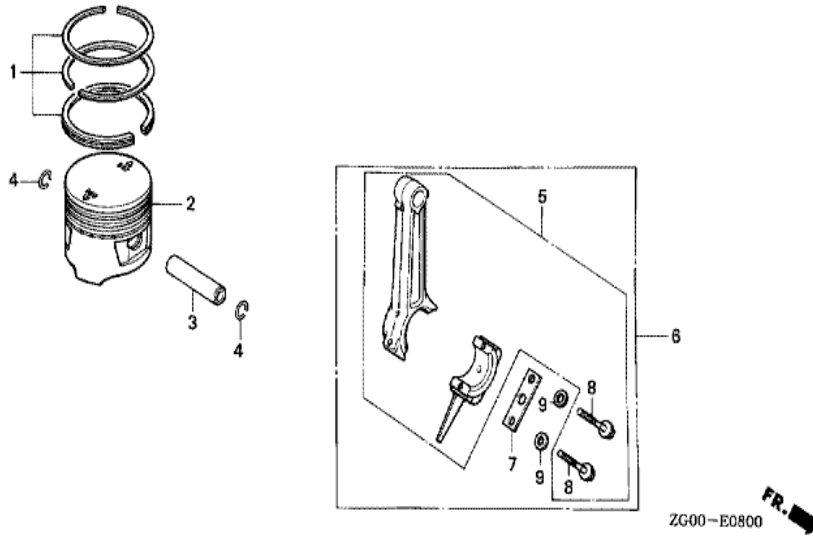


<u>Ref</u>	<u>Partnumber</u>	<u>Description</u>	<u>G100</u>	<u>Serial Numbers</u>
002	11300-896-650	COVER ASSY., CRANKCASE	1	
006	11381-896-000	GASKET, CASE COVER	1	
008	15620-896-000	CAP, OIL FILLER	(2)	
009	15620-896-650	GAUGE COMP., OIL LEVEL	1	
010	15621-896-010	PACKING, OIL FILLER CAP	(2)	
012	15632-896-650	PIPE COMP., OIL	1	
015	16511-896-000	WEIGHT, GOVERNOR	2	
016	16512-896-300	HOLDER, GOVERNOR WEIGHT	1	1443595
017	16513-ZE1-000	PIN, GOVERNOR WEIGHT	2	
018	16531-896-000	SLIDER, GOVERNOR	1	1443595
019	16541-896-000	SHAFT, GOVERNOR ARM	1	
020	90011-883-630	NUT, OIL FILLER	1	
023	90131-896-650	BOLT, DRAIN PLUG, 12X15	2	
<u>Ref</u>	<u>Partnumber</u>	<u>Description</u>	<u>G100</u>	<u>Serial Numbers</u>
024	90504-921-010	WASHER, PLAIN, 6MM	6	
025	94109-12000	WASHER, DRAIN PLUG, 12MM	2	
026	90602-ZE1-000	CLIP, GOVERNOR HOLDER	1	
027	91202-892-004	OIL SEAL, 17X30X6 (NOK)	1	
028	92000-060284J	BOLT, HEX., 6X28	6	
030	94101-05800	WASHER, PLAIN, 5MM	1	
031	94101-06800	WASHER, PLAIN, 6MM	1	
032	94201-25280	PIN, SPLIT, 2.5X28	2	1443595
033	94251-08000	PIN, LOCK, 8MM	1	
035	96100-6203000	BEARING, RADIAL BALL, 6203	1	

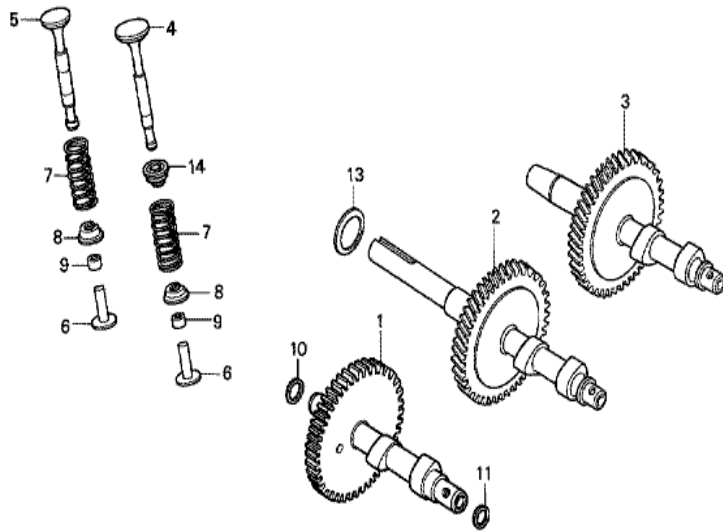


Ref	Partnumber	Description	G100	Serial Numbers
004	13310-896-610	CRANKSHAFT COMP.	1	
014	96100-6203000	BEARING, RADIAL BALL, 6203	1	



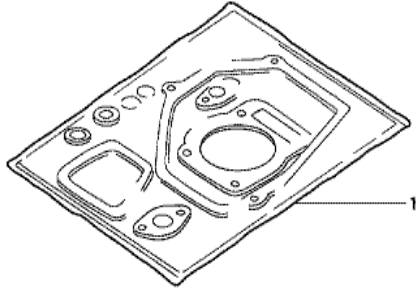


<u>Ref</u>	<u>Partnumber</u>	<u>Description</u>	<u>G100</u>	<u>Serial Numbers</u>
001	130A1-896-003	RING SET, PISTON (STD.) (TEIKOKU)	1	
001	130A1-896-004	RING SET, PISTON (STD.) (NIPPON)	1	
001	130B1-896-003	RING SET, PISTON (0.25) (TEIKOKU)	(1)	
001	130B1-896-004	RING SET, PISTON (0.25) (NIPPON)	(1)	
001	130C1-896-003	RING SET, PISTON (0.50) (TEIKOKU)	(1)	
001	130C1-896-004	RING SET, PISTON (0.50) (NIPPON)	(1)	
001	130D1-896-003	RING SET, PISTON (0.75) (TEIKOKU)	(1)	
001	130D1-896-004	RING SET, PISTON (0.75) (NIPPON)	(1)	
002	13101-892-000	PISTON (STD.)	1	
002	13102-892-000	PISTON (0.25)	(1)	
002	13103-892-000	PISTON (0.50)	(1)	
002	13104-892-000	PISTON (0.75)	(1)	
003	13111-892-000	PIN, PISTON	1	
<u>Ref</u>	<u>Partnumber</u>	<u>Description</u>	<u>G100</u>	<u>Serial Numbers</u>
004	13115-147-000	CLIP, PISTON PIN, 10MM	2	
005	13200-ZG0-000	ROD ASSY., CONNECTING (STD.)	1	1443596
005	13200-ZG0-305	ROD ASSY., CONNECTING (0.25 UNDER SIZE)	(1)	1443596
006	13200-892-000	ROD ASSY., CONNECTING	1	1443595
006	13200-892-305	ROD ASSY., CONNECTING (0.25 UNDER SIZE)	(1)	1443595
007	13213-892-000	WASHER, CONNECTING ROD	1	1443595
008	90001-892-003	BOLT, CONNECTING ROD	2	1443595
008	90001-ZG0-000	BOLT, CONNECTING ROD	2	1443596
009	90456-892-000	WASHER, LOCK	2	1443595



ZG00-E0900

<u>Ref</u>	<u>Partnumber</u>	<u>Description</u>	<u>G100</u>	<u>Serial Numbers</u>
001	14111-896-010	CAMSHAFT COMP.	1	1063119
004	14711-896-000	VALVE, IN.	1	
005	14721-896-000	VALVE, EX.	1	
006	14732-892-010	LIFTER, VALVE	2	1085263
007	14751-896-000	SPRING, VALVE	2	
008	14771-892-000	RETAINER, VALVE SPRING	2	1443595
008	14771-ZG0-000	RETAINER, VALVE SPRING	2	1443596
009	14801-892-000	ADJUSTER, TAPPET CLEARANCE (3.15)	2	
009	14803-892-000	ADJUSTER, TAPPET CLEARANCE (3.25)	2	
009	14806-892-000	ADJUSTER, TAPPET CLEARANCE (3.34)	2	
009	14809-892-000	ADJUSTER, TAPPET CLEARANCE (3.43)	2	
009	14812-892-000	ADJUSTER, TAPPET CLEARANCE (3.52)	2	
009	14815-892-000	ADJUSTER, TAPPET CLEARANCE (3.61)	2	
<u>Ref</u>	<u>Partnumber</u>	<u>Description</u>	<u>G100</u>	<u>Serial Numbers</u>
009	14818-892-000	ADJUSTER, TAPPET CLEARANCE (3.72)	2	
009	14820-892-000	ADJUSTER, TAPPET CLEARANCE (3.82)	2	
010	90412-329-000	WASHER, THRUST, 10MM	1	1033289
011	90452-892-000	WASHER, THRUST, 16MM	1	1033289



HENG-X0003

<u>Ref</u>	<u>Partnumber</u>	<u>Description</u>	<u>G100</u>	<u>Serial Numbers</u>
001	061A1-896-000	GASKET KIT	1	1061542