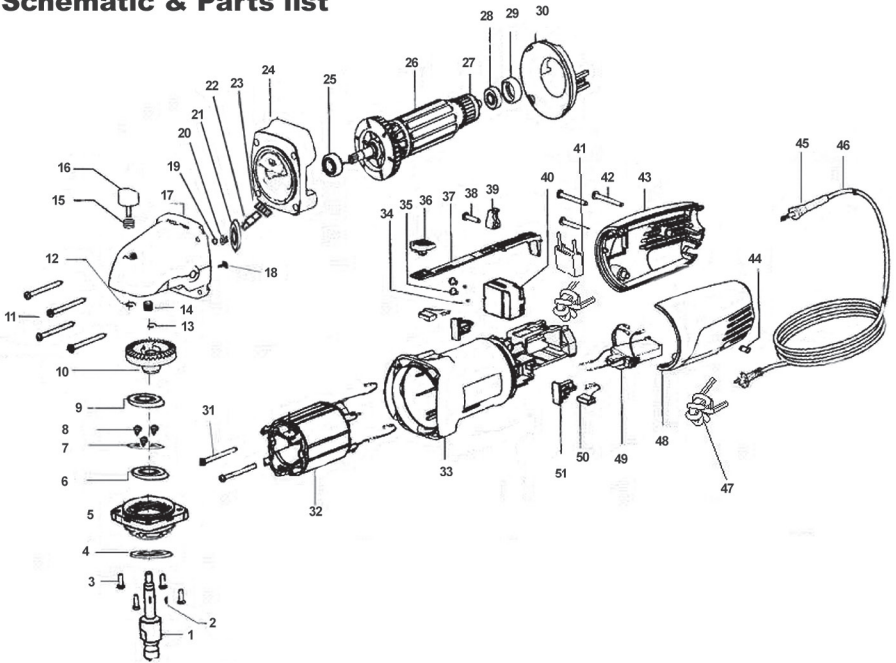


## Schematic & Parts list



S.No.	Description	Qty.	S.No.	Description	Qty.
1	Output Shaft	1	28	Bearing	1
2	Woodruff Key	1	29	Bearing Housing	1
3	Screw	4	30	Wind Cover	1
4	Dust Cap	1	31	Screw	1
5	Front Cover	1	32	Stator	1
6	Bearing	2	33	Housing	1
7	Gland	1	34	Flat Washer	1
8	Gland Screw	3	35	Screw	1
9	Flat Washer	1	36	Switch Lever Button	1
10	Gear(big)	1	37	Switch Lever	1
11	Screw	1	38	Screw	1
12	Bearing	1	39	Cable Disc	1
13	Clamp	1	40	Switch	1
14	Roller Pin	1	41	Capacitor	1
15	Self-lock Spring	1	42	Screw	1
16	Self-Lock	1	43	Rear Cover	1
17	Gear Cap	1	44	Screw	2
18	Screw	2	45	Cable Sleeve	1
19	Clamp	1	46	Cable	1
20	Gear(small)	1	47	Inductor	2
21	Bearing	1	48	Rear Cover	1
22	Small Shaft	1	49	Speed Control Switch	1
23	Spur Pinion	1	50	Carbon Brush	1
24	Bearing Retainer	1	51	Copper Brush Holder	1
25	Bearing	1			
26	Rotor	1			
27	Magnet-wheel	1			