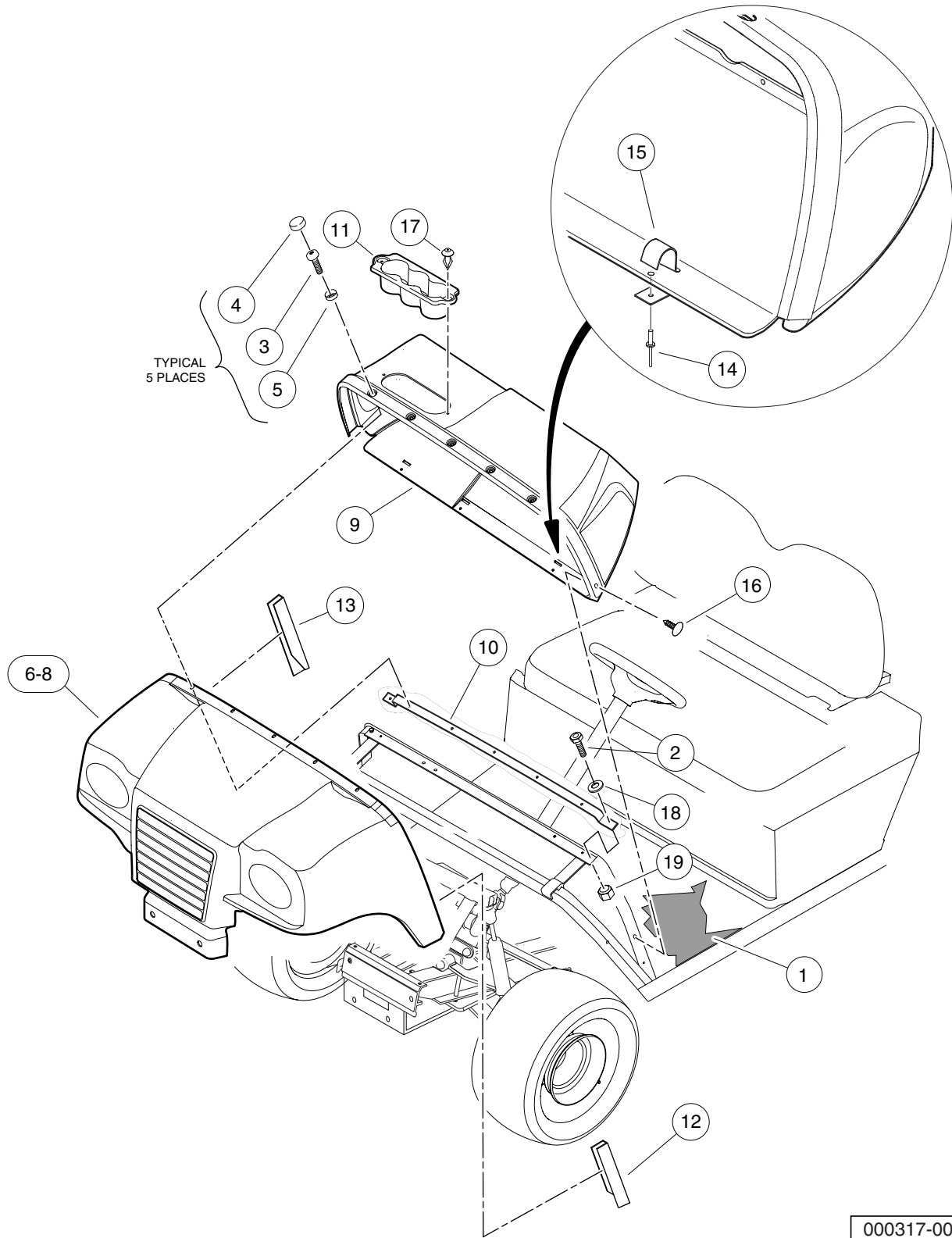


BODY AND TRIM

1

G

1
G



000317-001

FRONT BODY

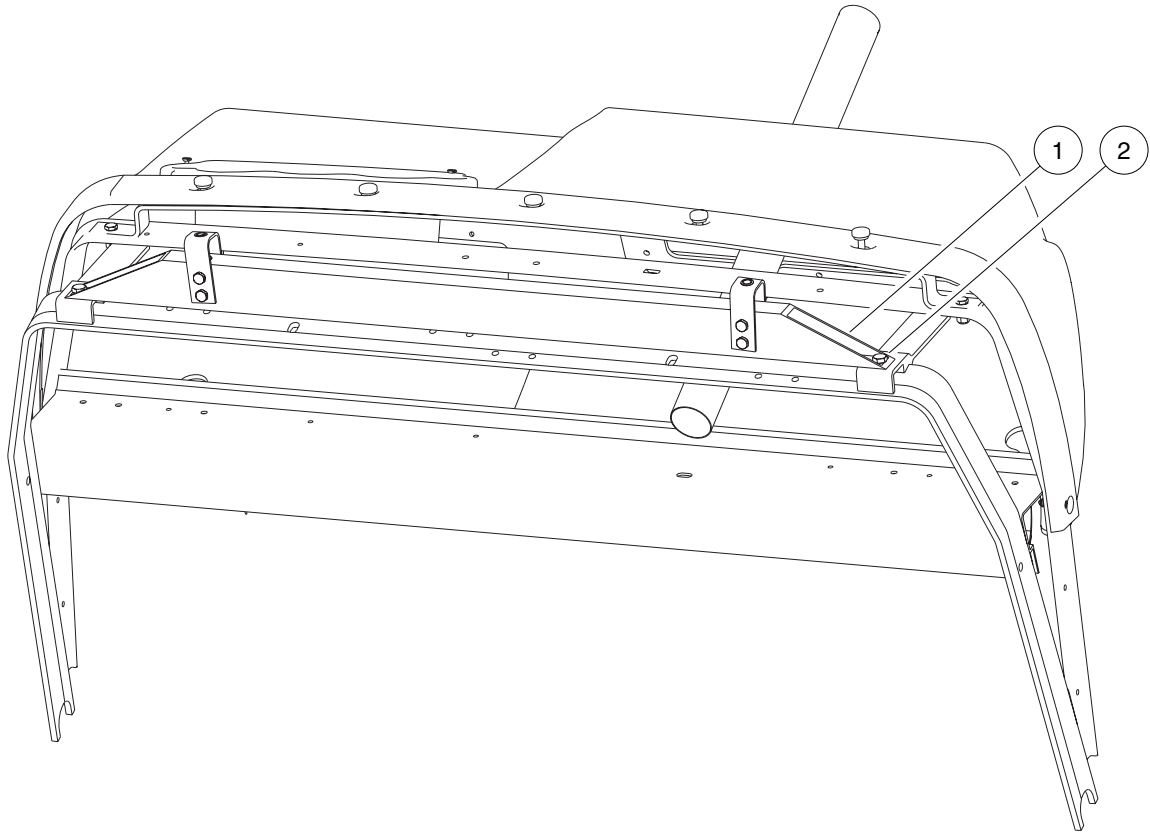
ITEM	PART NO.	DESCRIPTION	QTY
		1 2 3 4	
1	603 00 30-81	Floormat	1
2	603 00 32-40	Screw, 1/4-20 X 0.75 Hex-Head Cap	2
3	603 00 06-96	Screw, 1/4-20 X .75 Torx Pn Hd	5
4	603 00 07-29	Cap, 1/4" Plastic Screw Head	5
5	603 00 07-37	Washer, 1/4 Id Scalloped Plast	5
6	603 00 32-72	Cowl, Orange	1
7	603 00 30-24	Cowl, 4210, Camo	1
8	102 76 66-05	Cowl, 4210, Olive Green	1
9	603 00 32-73	Dash	1
10	603 00 32-76	Support, Upper Cowl	1
11	603 00 32-79	Object Holder	1
12	603 00 32-89	Cowl Cover, Driver-Side	1
13	603 00 32-90	Cowl Cover, Passenger-Side	1
14	603 00 32-96	Rivet	3
15	603 00 23-68	Clip, Dash	3
16	531 30 71-52	Push Pin, Black	2
17	603 00 06-95	Rivet, Removable, Tuflok 1/4"	2
18	603 00 00-54	Washer, 1/4 Type A Narrow Flat	2
19	603 00 00-89	Locknut, 1/4-20 Nylon Insert	2

1

G

1

G



000582-002

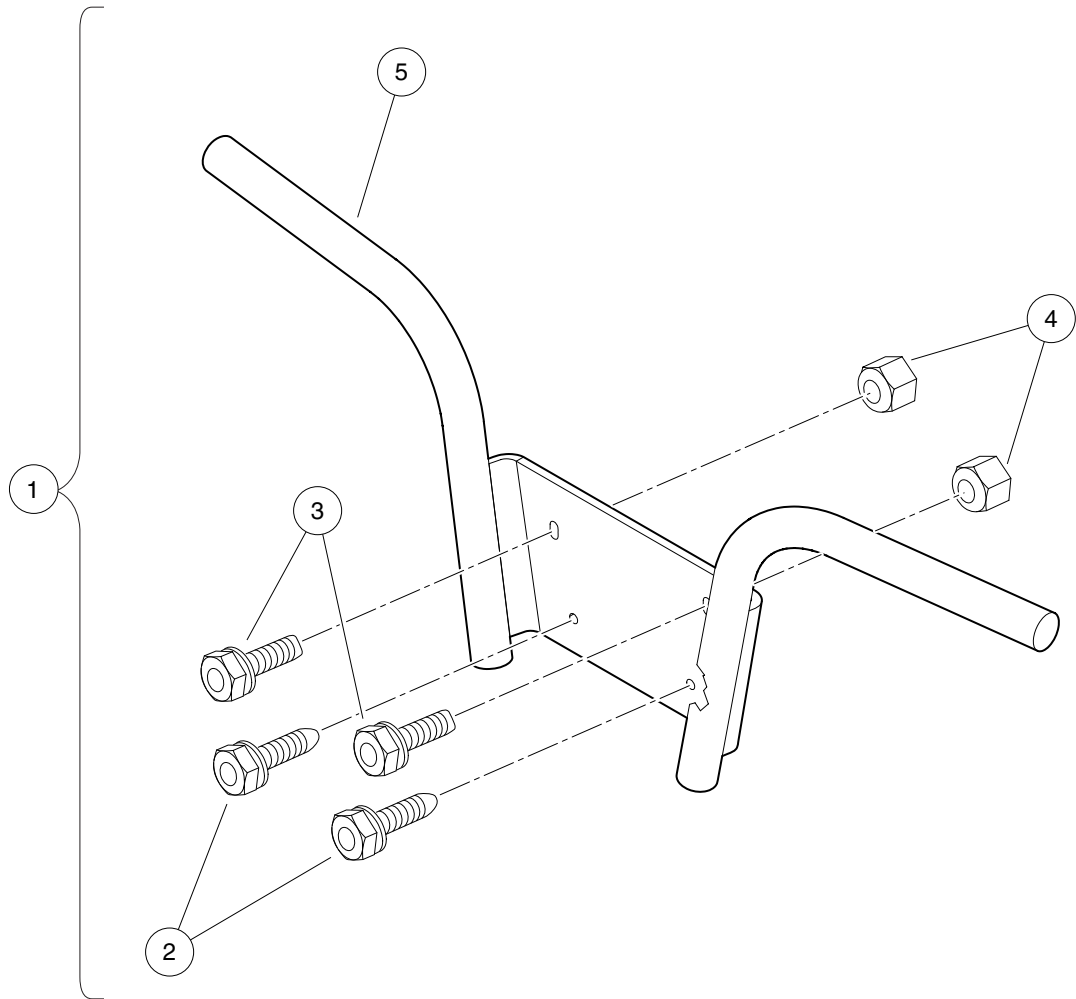
CANOPY SUPPORT SYSTEM

ITEM	PART NO.	DESCRIPTION	QTY
		1 2 3 4	
1	603 00 41-49	Brace, Canopy, Tube, Xrt	2
2	603 00 00-71	Screw, 5/16-18 X 0.75 Hex-Head Cap	2

1

G

1
G



000356-001

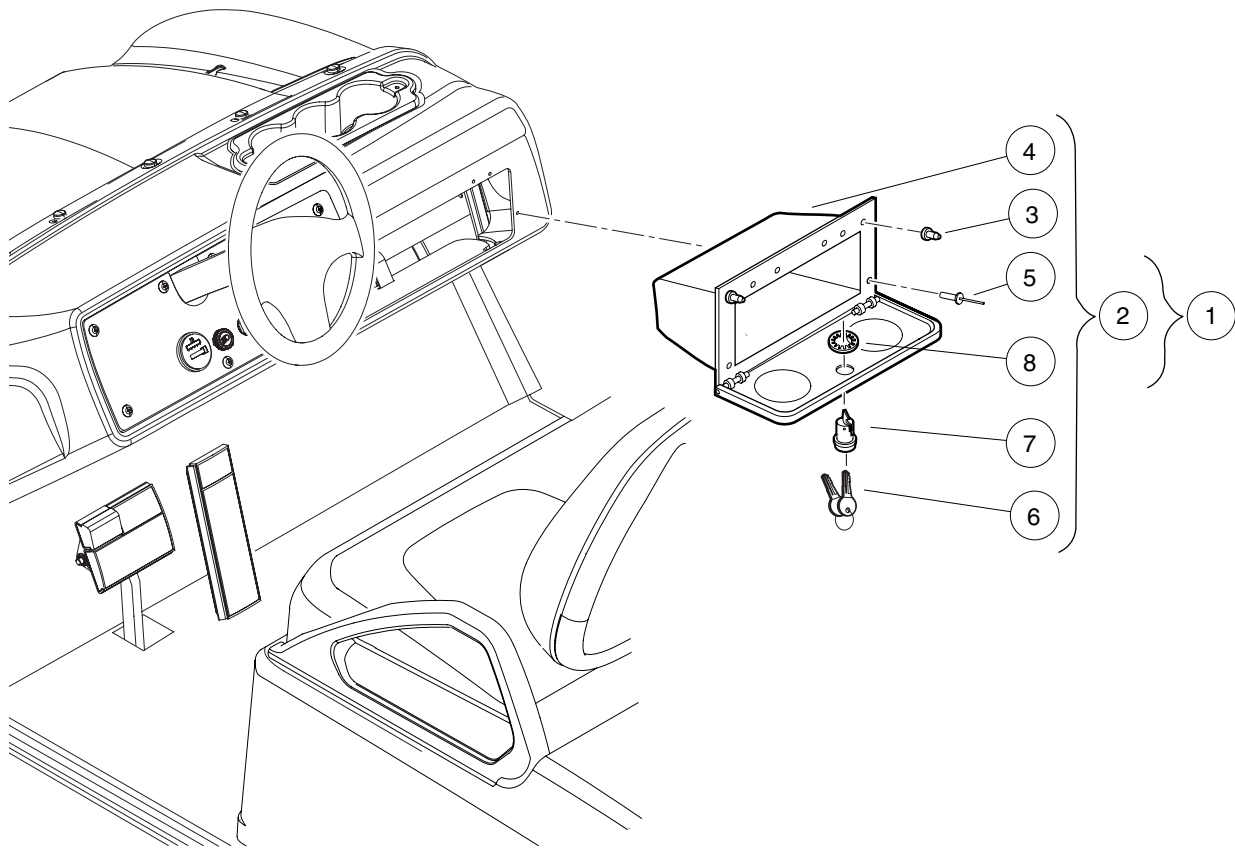
BRUSH GUARD – HUV4210-GXP

ITEM	PART NO.	DESCRIPTION	QTY
		1 2 3 4	
1	603 00 23-32	Kit, Brush Guard (includes items 2 through 6)	1
2	603 00 08-70	Screw, M8 X 1.25 X 30 Tri, Blk	2
3	603 00 08-76	Bolt, Flange Head, M8-1.25 X 40	2
4	603 00 13-08	Lock Nut, Flg M8 X 1.25 Nylon	2
5	N/A	Guard, Brush	1
6	603 00 43-65	Instr, Brush Guard	1

1

G

1
G



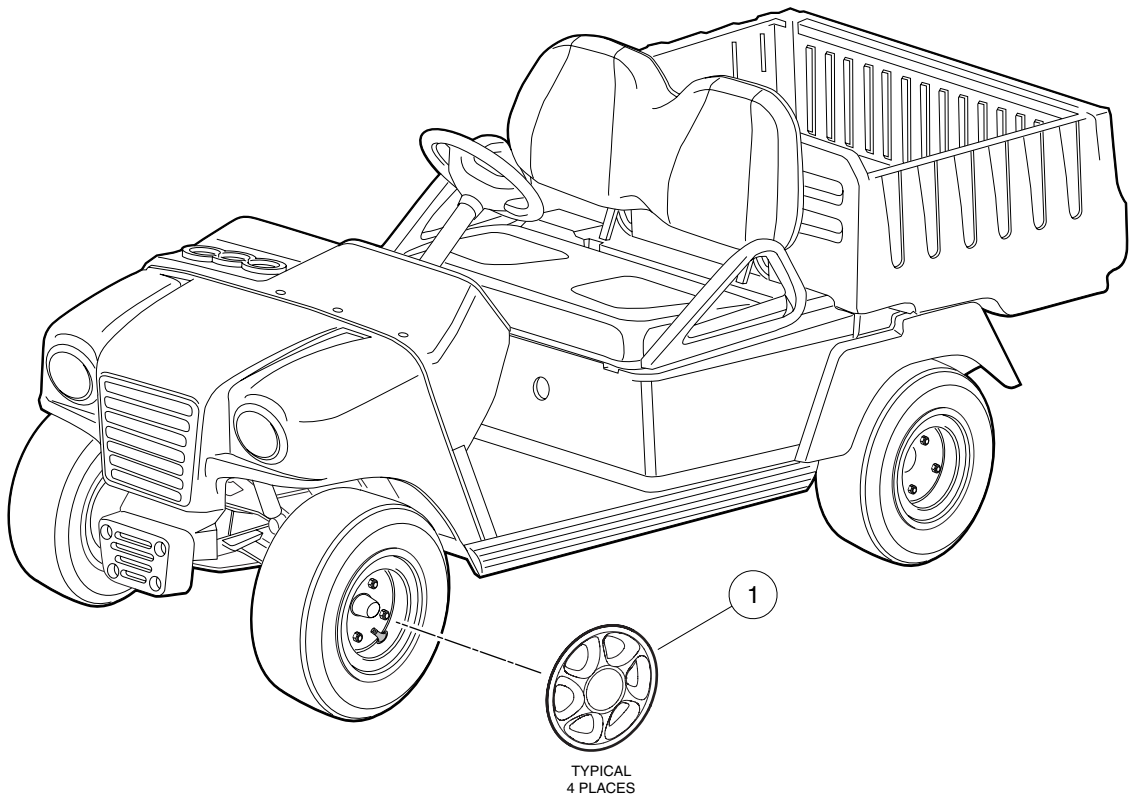
000359-001

GLOVE BOX – HUV4210-GXP

ITEM	PART NO.	DESCRIPTION	QTY
		1 2 3 4	
1	531 30 73-72	Glove Box Lock / Key Kit (includes item 2)	1
2	603 00 43-66	Asm, Glove Box Lock / Key (includes items 3 through 8)	1
3	603 00 01-08	Bumper, Rubber	2
4	603 00 32-78	Glove Box	1
5	603 00 32-96	Rivet	6
6	N/A	Key	2
7	N/A	Lock	1
8	N/A	Nut	1

1

G



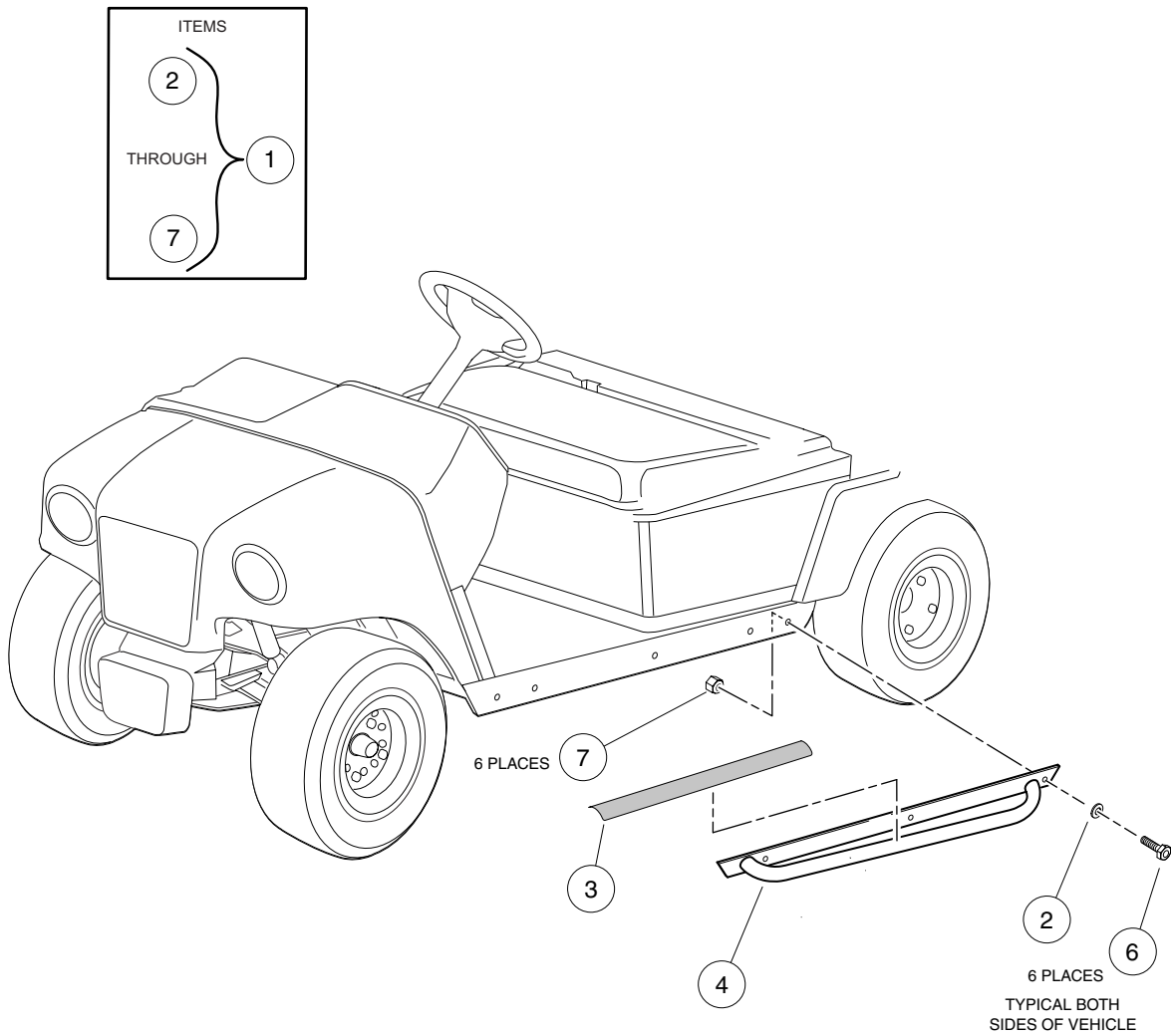
000318-001

HUBCAP – HUV4210-GXP

ITEM	PART NO.	DESCRIPTION	QTY
1	603 00 23-39	1 2 3 4 Wheel Cover, Chrome Elite	4

2

G



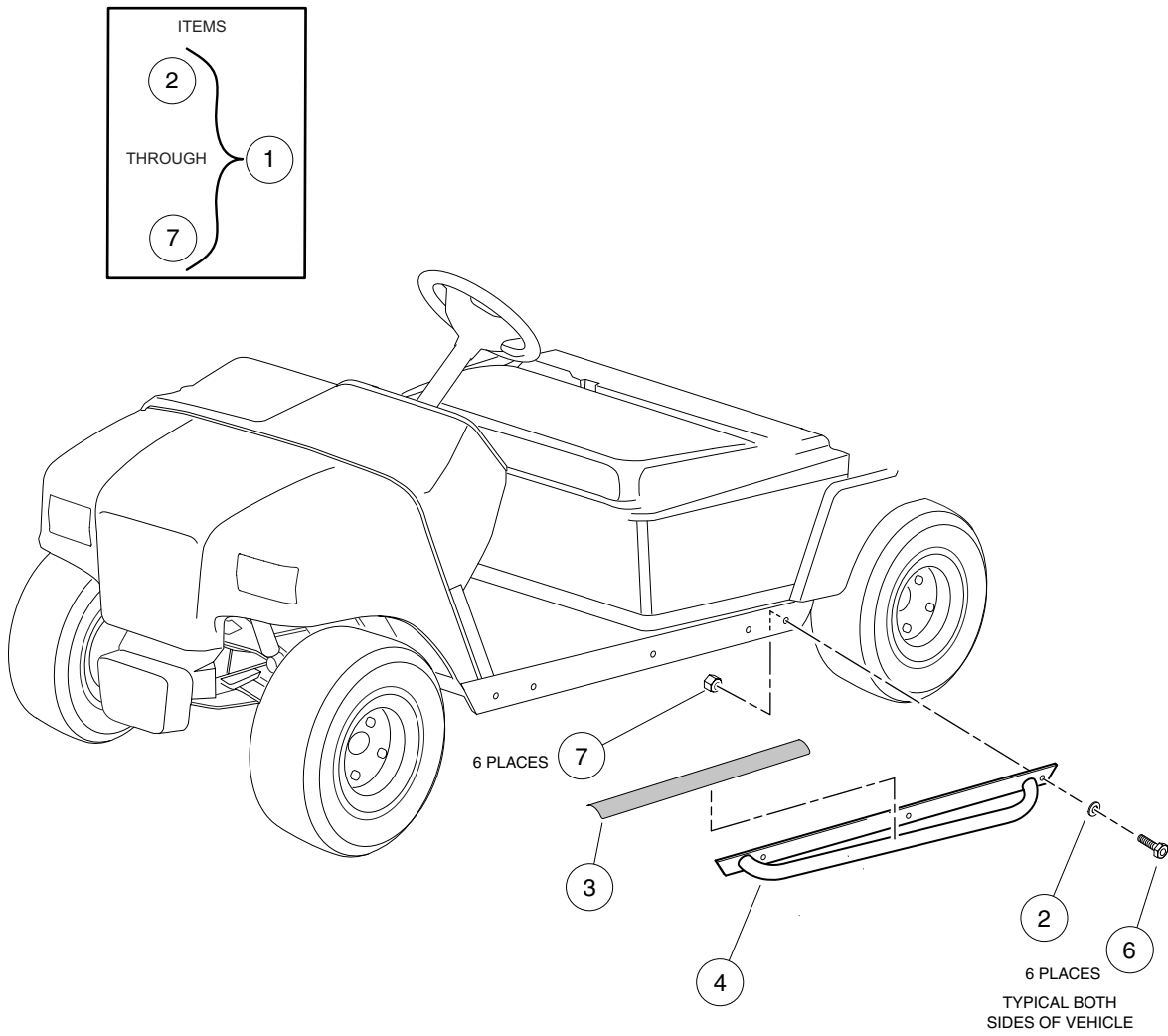
000360-001

NERF BAR (ORANGE)

ITEM	PART NO.	DESCRIPTION	QTY
		1 2 3 4	
1	531 30 11-14	Kit, Nerf Bar (Orange) (includes items 2 through 7)	1
2	603 00 01-32	Washer, 3/8 Flat	6
3	603 00 22-77	Tape, Non-skid	A/R
4	603 00 23-29	Asm, Nerf Bar, Driver (orange)	1
5	603 00 23-30	Asm, Nerf Bar, Passenger (orange)	1
6	603 00 00-53	Screw, 3/8-16 X 1.00 Hex-Head Cap	6
7	603 00 00-95	Locknut, 3/8-16 Hex	6

1

G



000360-002

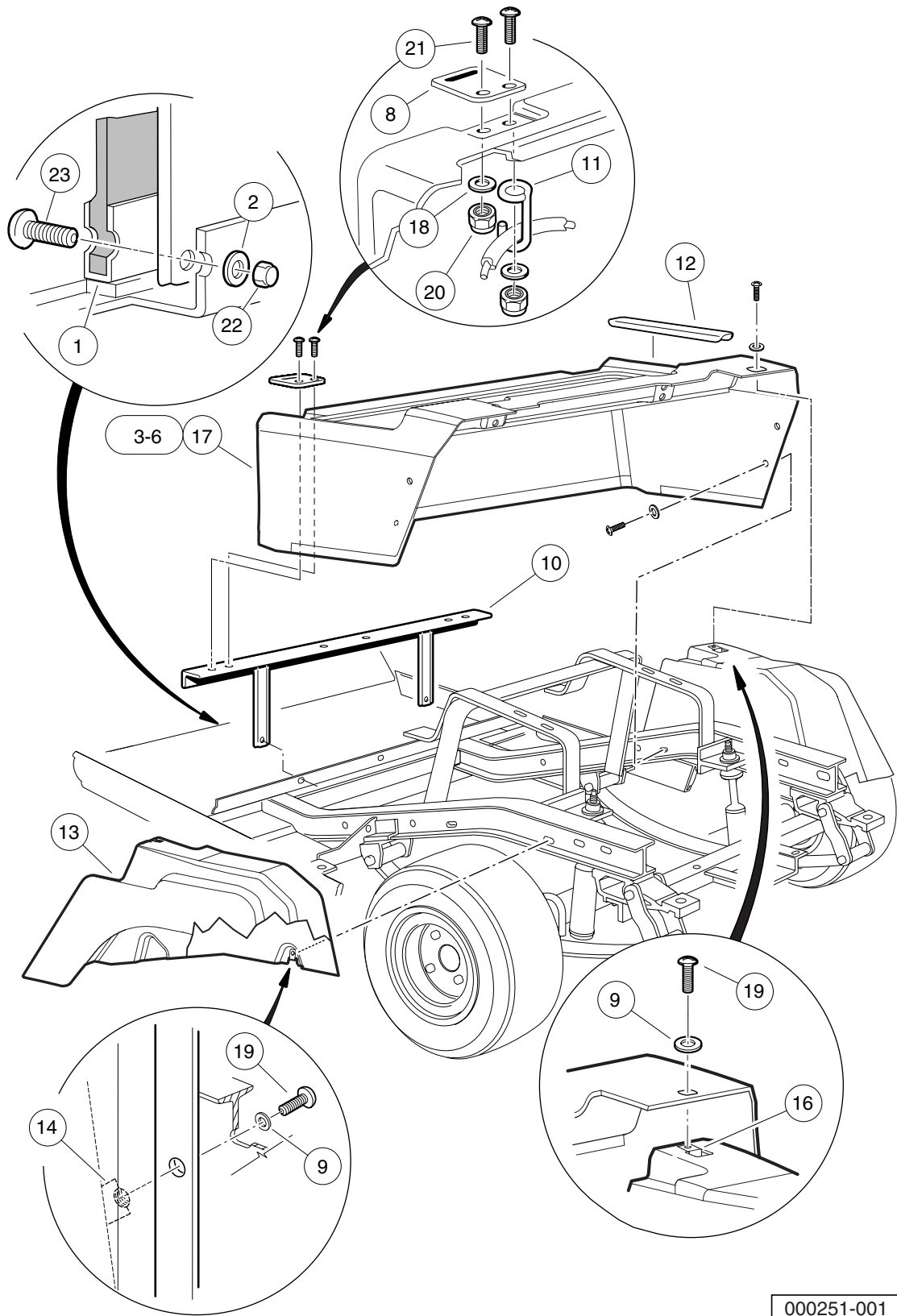
NERF BAR (BLACK)

ITEM	PART NO.	DESCRIPTION	QTY
		1 2 3 4	
1	102 82 98-02	Kit, Nerf Bar (black) (includes items 2 through 7)	1
2	603 00 01-32	Washer, 3/8 Flat	6
3	603 00 22-77	Tape, Non-skid	2
4	102 82 97-03	Nerf Bar Assy, Driver	1
5	102 82 97-04	Nerf Bar Assy, Passngr	1
6	603 00 00-53	Screw, 3/8-16 X 1.00 Hex-Head Cap	6
7	603 00 00-95	Locknut, 3/8-16 Hex	6

1

G

1
G



000251-001

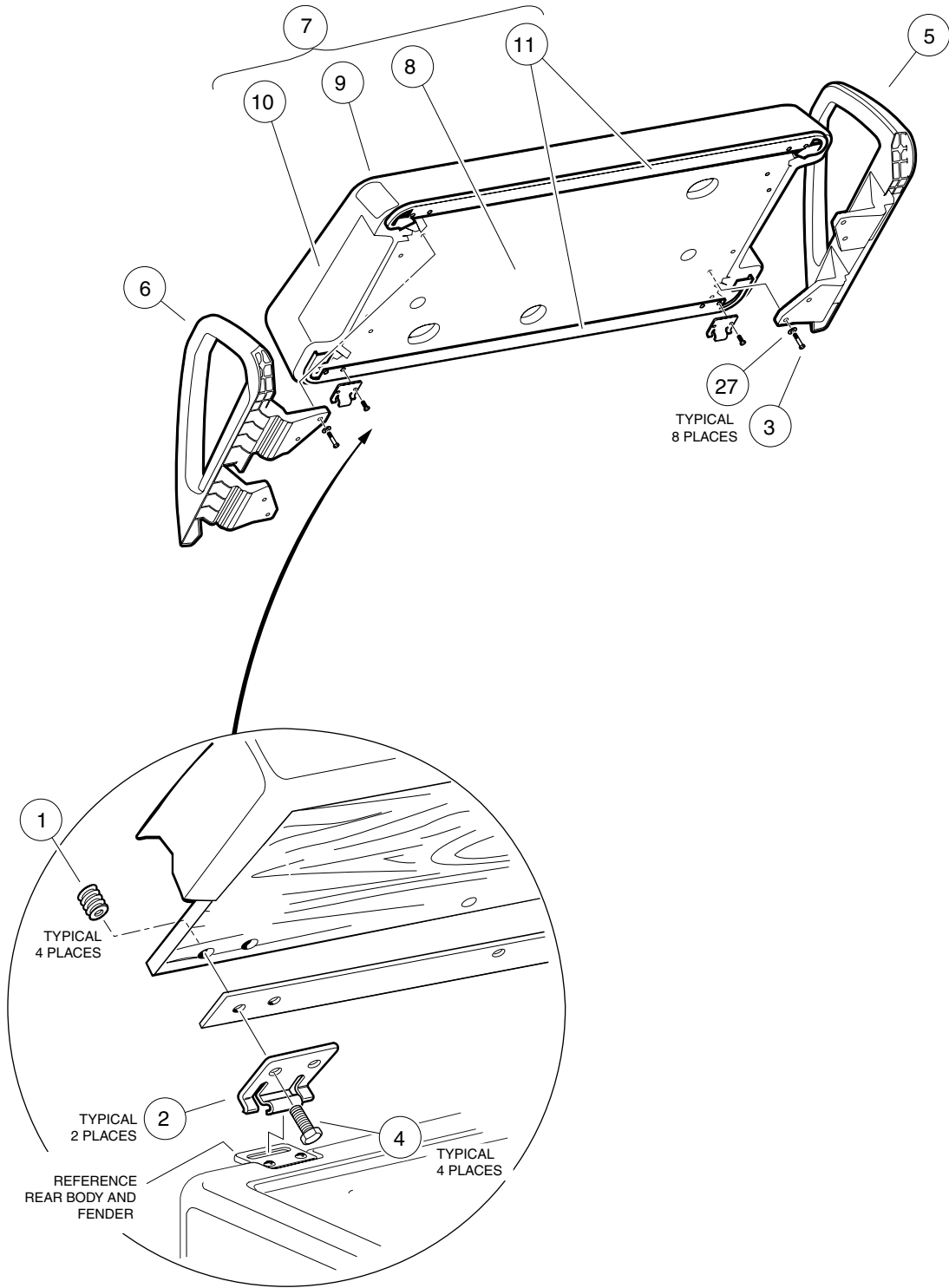
REAR BODY AND FENDER – GASOLINE VEHICLE

ITEM	PART NO.	DESCRIPTION	QTY
		1 2 3 4	
1	603 00 36-29	Body Kick Plate	1
2	603 00 02-22	Washer, 1/4" Type B Flat	2
3	102 79 68-01	Body, Rear, Gas, Red	1
4	102 79 68-03	Body, Rear, Gas, Green	1
5	102 79 68-04	Body, Rear, Gas, Classic Blue	1
6	102 79 68-05	Body, Rear, Gas, Olive Green	1
7	N/A	Body Assembly (includes items 8 through 21)	1
8	603 00 01-39	Body, Hinge Plate	2
9	603 00 02-22	Washer, 1/4" Type B Flat	6
10	603 00 31-56	Body Support Front	1
11	603 00 31-95	Cable Retainer	1
12	603 00 32-52	Wear Pad	2
13	603 00 32-75	Fender, Driver Side (includes item 14)	1
14	603 00 31-54	U-Nut, 1/4-20	4
15	603 00 22-92	Fender, Passenger Side (includes item 16)	1
16	603 00 31-54	U-Nut, 1/4-20	4
17	603 00 23-17	Body, Rear, Gas, Orange	1
18	603 00 00-54	Washer, 1/4 Type A Narrow Flat	4
19	603 00 00-83	Screw, 1/4-20 X 0.75 Hex-Head Cap	6
20	603 00 00-89	Locknut, 1/4-20 Nylon Insert	4
21	603 00 00-91	Screw, 1/4-20 X 1.0 Truss-Head Machine	4
22	603 00 00-89	Locknut, 1/4-20 Nylon Insert	2
23	603 00 00-91	Screw, 1/4-20 X 1.0 Truss-Head Machine	2

1

G

1
G



000364-003

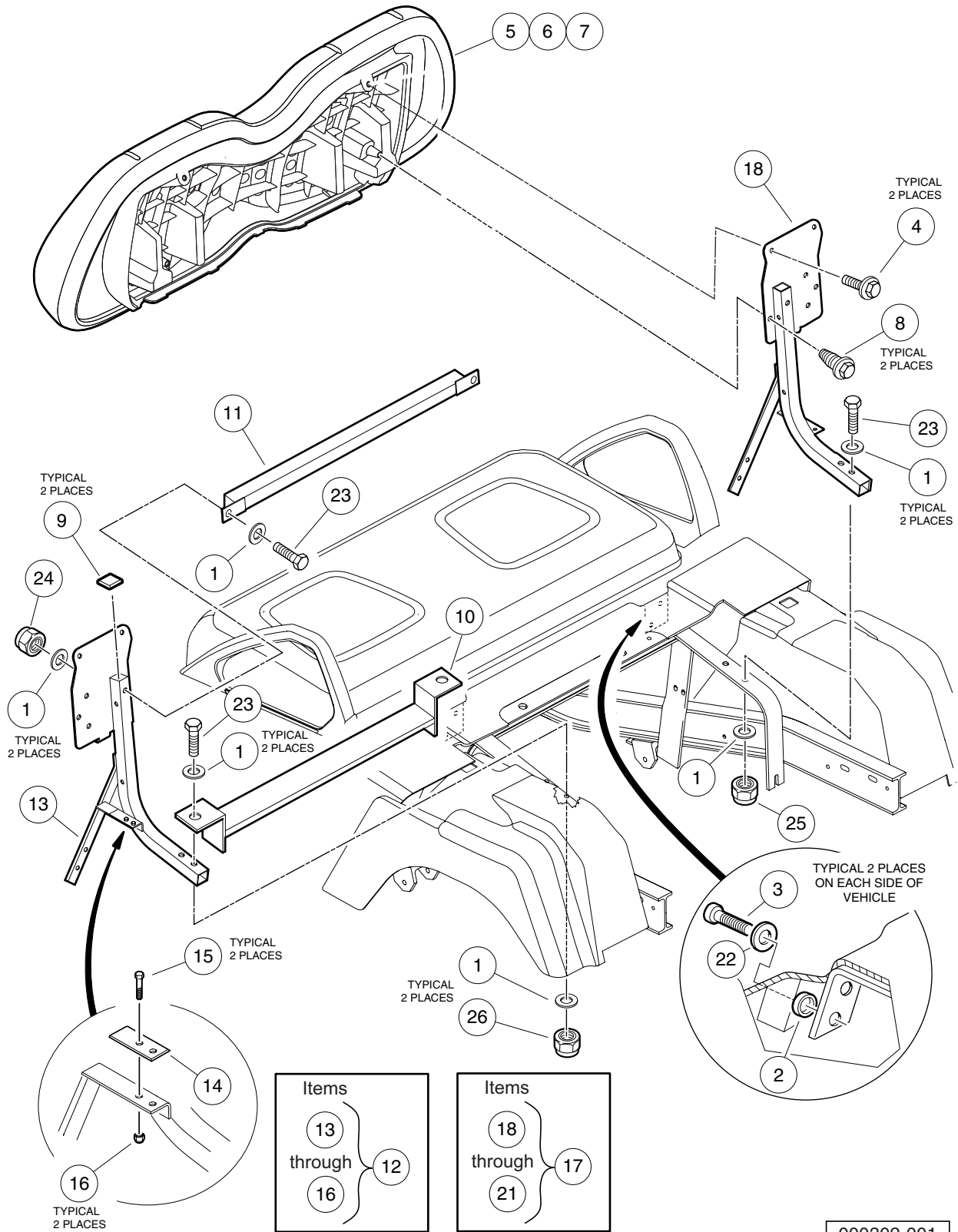
FRONT SEAT BOTTOM AND ARMRESTS

ITEM	PART NO.	DESCRIPTION	QTY
		1 2 3 4	
1	603 00 25-06	Insert - Wood	4
2	603 00 01-25	Hinge Plate	2
3	603 00 31-53	Screw, 1/4-20 X 1.50 Hex-Head Cap	8
4	603 00 32-40	Screw, 1/4-20 X 0.75 Hex-Head Cap	4
5	603 00 32-47	Armrest, Passenger (right)	1
6	603 00 32-48	Armrest, Driver (left)	1
7	603 00 43-68	Seat Bottom Assembly, Buff (includes items 8 through 11)	1
8	N/A	Plywood Assy	1
9	603 00 43-67	Vinyl Cover, Seat Bottom, Buff	1
10	N/A	Foam, Seat	1
11	603 00 32-50	Gasket, Seat	2
12	603 00 43-70	Seat Bottom Assembly, White (includes items 13 through 16)	1
13	N/A	Plywood Assy	1
14	603 00 43-69	Vinyl Cover, Seat Bottom, White	1
15	N/A	Foam, Seat	1
16	603 00 32-50	Gasket, Seat	2
17	603 00 43-72	Seat Bottom Assembly, Black (includes items 18 through 21)	1
18	N/A	Plywood Assy	1
19	603 00 43-71	Vinyl Cover, Seat Bottom, Black	1
20	N/A	Foam, Seat	1
21	603 00 32-50	Gasket, Seat	2
22	603 00 22-58	Seat Bottom Assembly, Gray (includes items 23 through 26)	1
23	N/A	Plywood Assy	1
24	603 00 22-59	Vinyl Cover, Seat Bottom, Gray	1
25	N/A	Foam, Seat	1
26	603 00 32-50	Gasket, Seat	2
27	603 00 00-54	Washer, 1/4 Type A Narrow Flat	8
Note: Sub-components contained in items 12, 17, and 22 are the same as those shown for item 7, except for the vinyl seat covers.			

1

G

1
G



000302-001

SEAT BACK

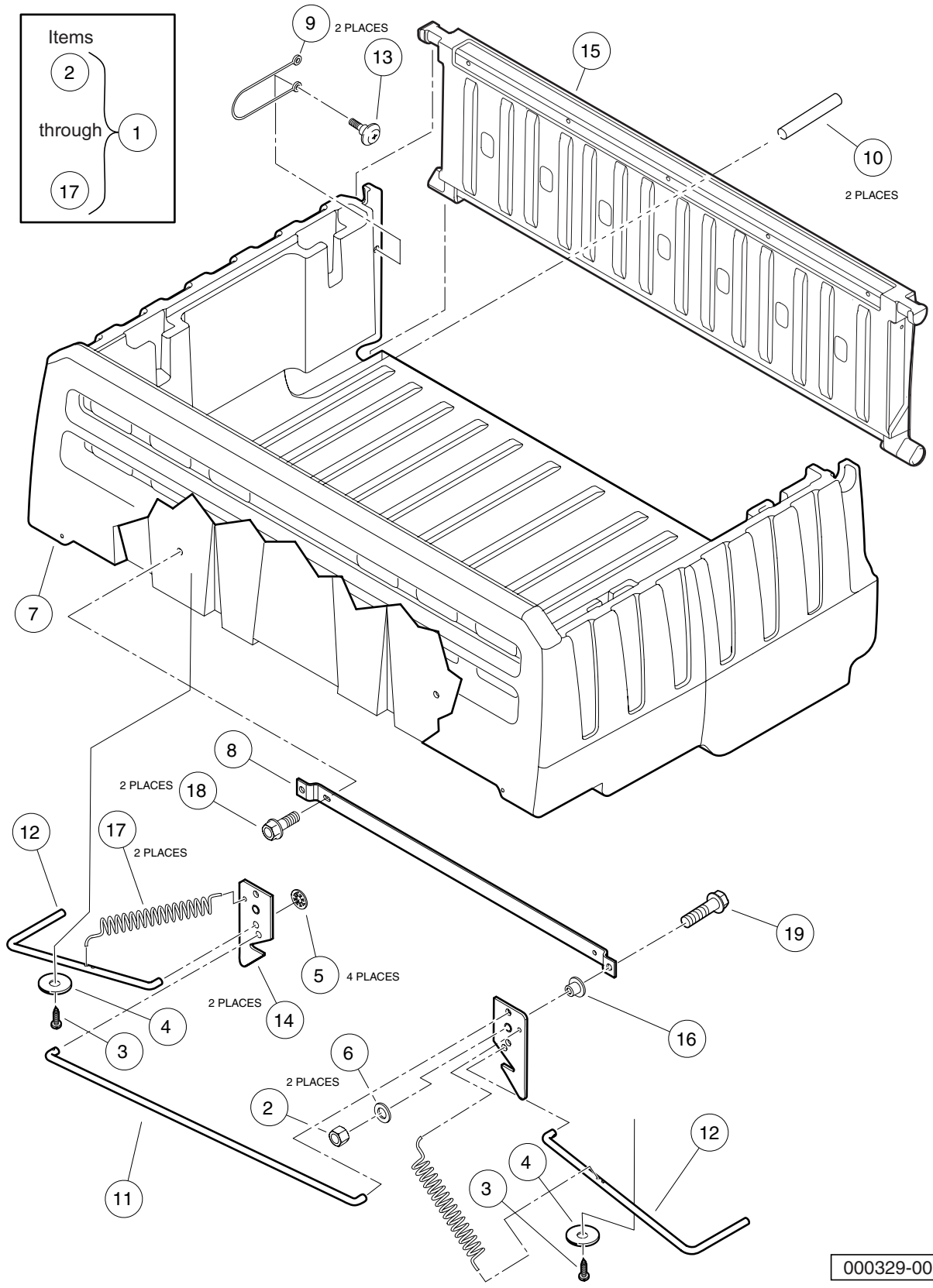
ITEM	PART NO.	DESCRIPTION	QTY
		1 2 3 4	
1	603 00 30-48	Washer, 1/4 Flat	12
2	603 00 04-34	Body Spacer	4
3	603 00 32-21	Screw, 5/16-18 X 1.25 Thrd Frm	4
4	603 00 32-54	Screw - M6 X 1.0 X 30 Sems	2
5	603 00 43-73	Service Backrest Asm, Beige	1
6	603 00 43-74	Service Backrest Asm, White	1
7	603 00 32-66	Service Backrest Asm, Gray	1
8	603 00 32-68	Screw, M6 Hex	2
9	603 00 32-69	Plug, Square - 25.4 mm	2
10	603 00 23-02	Weldment, Bed Support	1
11	603 00 23-16	Seat Support, Cross Brace	1
12	603 00 23-04	Seat Support W/striker, Drv (includes items 13 through 16)	1
13	N/A	Seat Support, Driver-Side	1
14	603 00 23-66	Striker Plate	1
15	603 00 00-83	Screw, 1/4-20 X 0.75 Hex-Head Cap	2
16	603 00 00-89	Locknut, 1/4-20 Nylon Insert	2
17	603 00 23-05	Support, Seat, Right (passenger) (includes items 18 through 21)	1
18	N/A	Seat Support, Passenger-Side	1
19	603 00 23-66	Striker Plate	1
20	603 00 00-83	Screw, 1/4-20 X 0.75 Hex-Head Cap	2
21	603 00 00-89	Locknut, 1/4-20 Nylon Insert	2
22	603 00 00-65	Washer, 5/16 Type A Flat	4
23	603 00 00-74	Screw, 1/4-20 X 2.00 Hex-Head Cap	6
24	603 00 00-78	Locknut, 5/16-18 Nylon Insert	2
25	603 00 00-89	Locknut, 1/4-20 Nylon Insert	6
26	603 00 23-52	Screw, 5/16-18 X 1.75 Hex-Head Cap	2

1

G

1
G

Items
 2 }
 through 1
 17 }



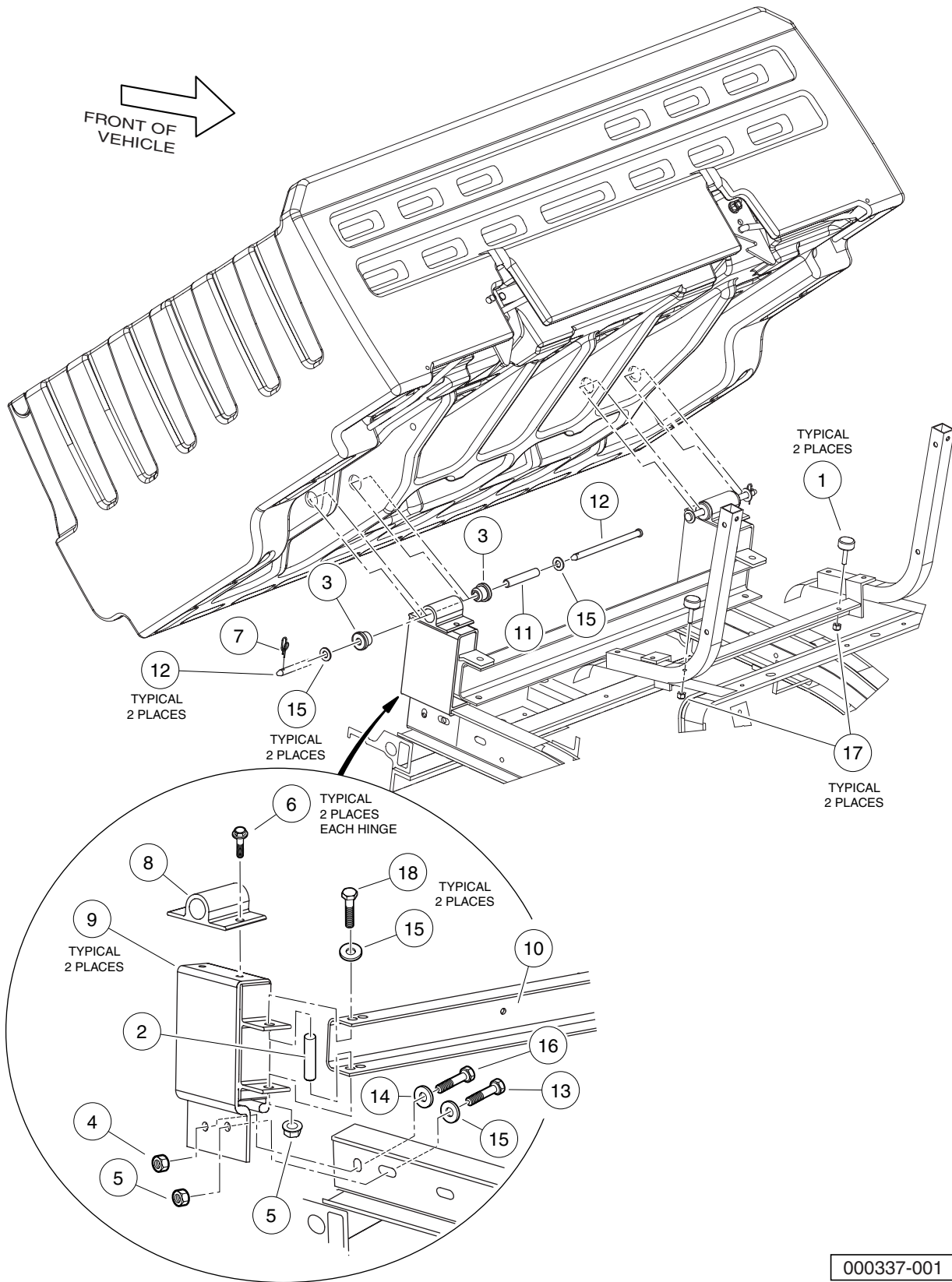
000329-001

CARGO BED

ITEM	PART NO.	DESCRIPTION	QTY
		1 2 3 4	
1	603 00 36-44	Assembly, Bed (includes items 2 through 19)	1
2	603 00 01-01	Locknut, 3/8-16 Dimpled	2
3	603 00 01-10	Screw, Hex Washer Head 1/4-14 X .75	2
4	603 00 30-45	Washer, 5/16 Type B Flat	2
5	603 00 30-66	Pushnut, 3/8	4
6	603 00 21-60	Washer, 3/8 Flat Type A	2
7	603 00 22-94	Bed	1
8	603 00 22-95	Support, Latch Link	1
9	603 00 22-96	Lanyard, Tailgate	2
10	603 00 22-97	Pin, Support	2
11	603 00 22-98	Rod, Long Link	1
12	603 00 22-99	Rod, Bed Lift, Short Bent	2
13	603 00 23-00	Bolt Lanyard	2
14	603 00 23-01	Catch, Tilt Bed	2
15	603 00 23-19	Tailgate, Husqvarna	1
16	603 00 23-35	Bearing, Bronze, 1/2x9/32	2
17	603 00 43-75	Spring, Tilt Latch 3.4 Lb/in	2
18	603 00 00-52	Screw, 1/4-20 X 1.0 Hex-Head Cap	2
19	603 00 00-53	Screw, 3/8-16 X 1.00 Hex-Head Cap	1

1
G

1
G



000337-001

BED HINGE

ITEM	PART NO.	DESCRIPTION	QTY
		1 2 3 4	
1	603 00 01-13	Bumper, Rubber	2
2	603 00 01-36	Bushing, Steel	2
3	603 00 02-63	Bushing, Urethane	4
4	603 00 05-21	Locknut, 1/4-20 Hex Whiz	2
5	603 00 07-80	Locknut, 3/8-16 Flanged Dimple	4
6	603 00 08-69	Screw, M8X1.25X30, Hex	4
7	603 00 32-53	Rue Ring - 1/2"	2
8	603 00 32-81	Hinge, Roto Bed	2
9	603 00 32-87	Support, Hinge	2
10	603 00 23-21	Stiffener, Bed Support	1
11	603 00 32-88	Bushing, Steel	2
12	603 00 32-92	Pin, Clevis, 3/8	2
13	603 00 00-53	Screw, 3/8-16 X 1.00 Hex-Head Cap	2
14	603 00 00-54	Washer, 1/4 Type A Narrow Flat	2
15	603 00 00-55	Washer, 3/8 Type A Flat	8
16	603 00 00-83	Screw, 1/4-20 X 0.75 Hex-Head Cap	2
17	603 00 00-89	Locknut, 1/4-20 Nylon Insert	2
18	603 00 00-96	Screw, 3/8-16 X 3.375 Hex Cap	2

1
G

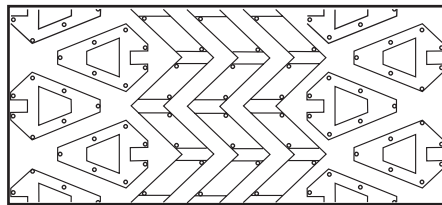
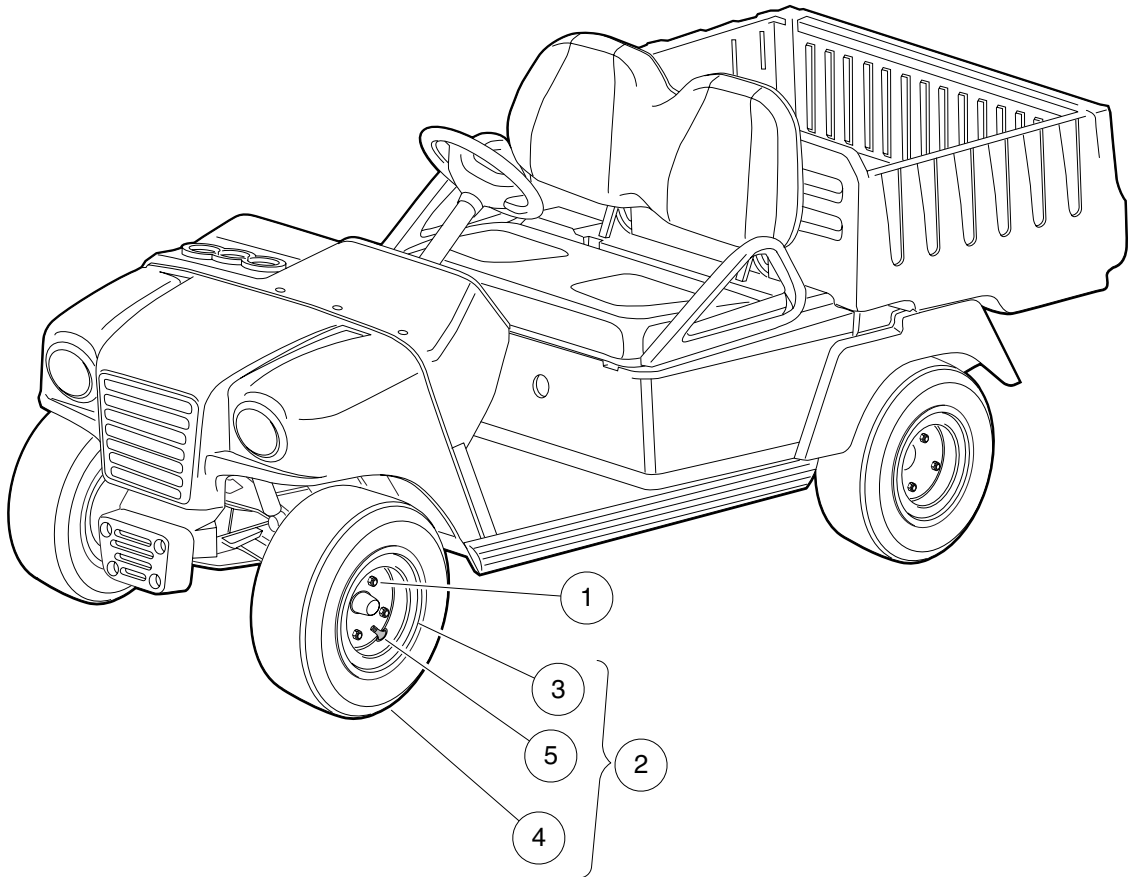
1

G

WHEELS AND TIRES

2

G



ALL TRAIL II TREAD
Carlisle®

000224-001

WHEELS AND TIRES

ITEM	PART NO.	DESCRIPTION	QTY
		1 2 3 4	
1	603 00 00-24	.500-20 Unf Lug Nut	16
2	603 00 32-86	Tire Assembly, All Trail II (includes items 3 through 5)	4
3	603 00 23-14	Wheel Rim, Gray	1
4	603 00 23-15	Tire, Unmounted, All Trail II	1
5	603 00 00-33	Valve Stem	1

2

G

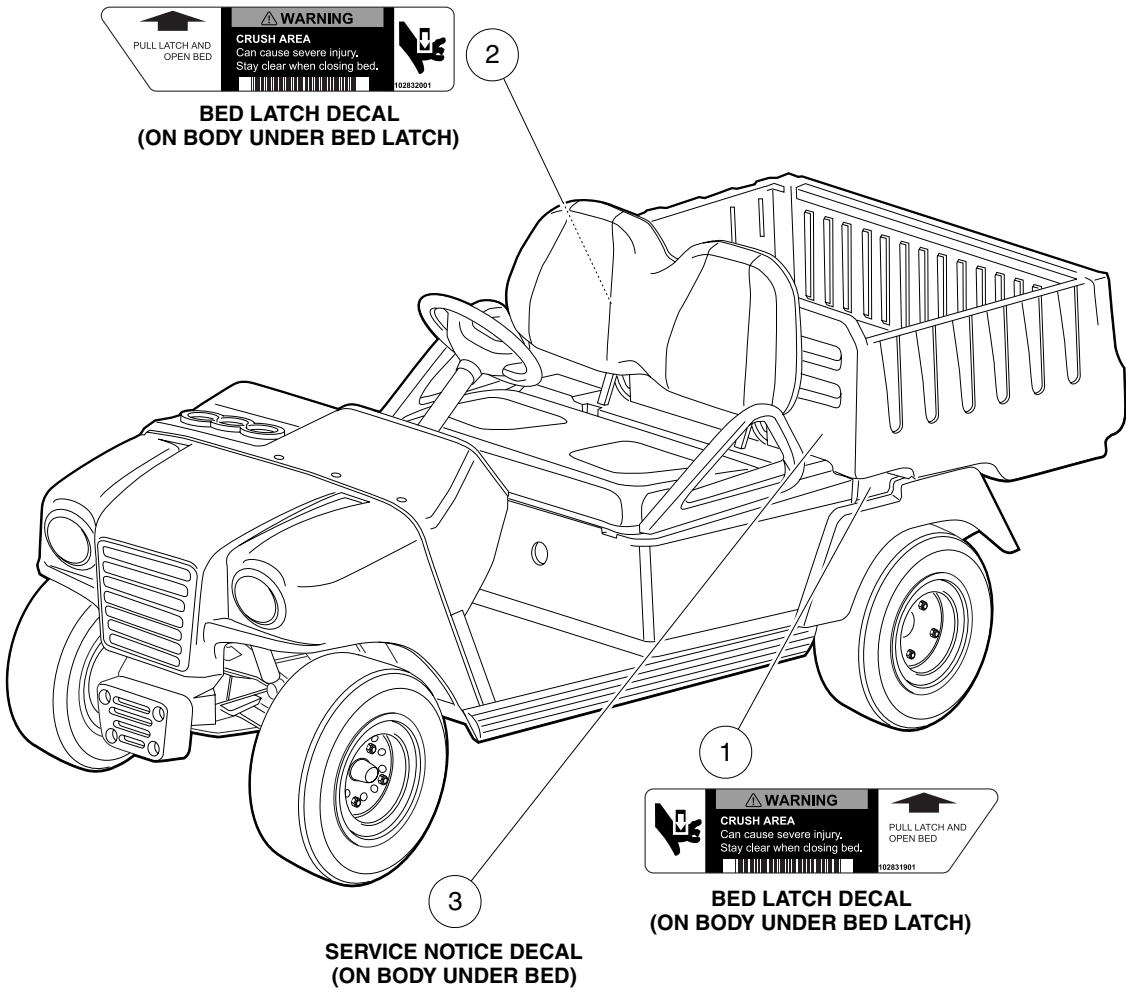
2

G

DECALS

3

G



**BED LATCH DECAL
(ON BODY UNDER BED LATCH)**



**BED LATCH DECAL
(ON BODY UNDER BED LATCH)**

**SERVICE NOTICE DECAL
(ON BODY UNDER BED)**

NOTICE

- THE OWNER/OPERATOR should maintain, lubricate, adjust, and operate the vehicle as detailed in the vehicle owners manual.

CC1 102832001

SAFETY DECALS – GASOLINE VEHICLES

ITEM	PART NO.	DESCRIPTION	QTY
		1 2 3 4	
1	603 00 20-19	Decal, Crush Warning, Driver-Side	1
2	603 00 20-20	Decal, Crush Warning, Passenger-Side	1
3	603 00 33-24	Decal, Maintenance	1

3

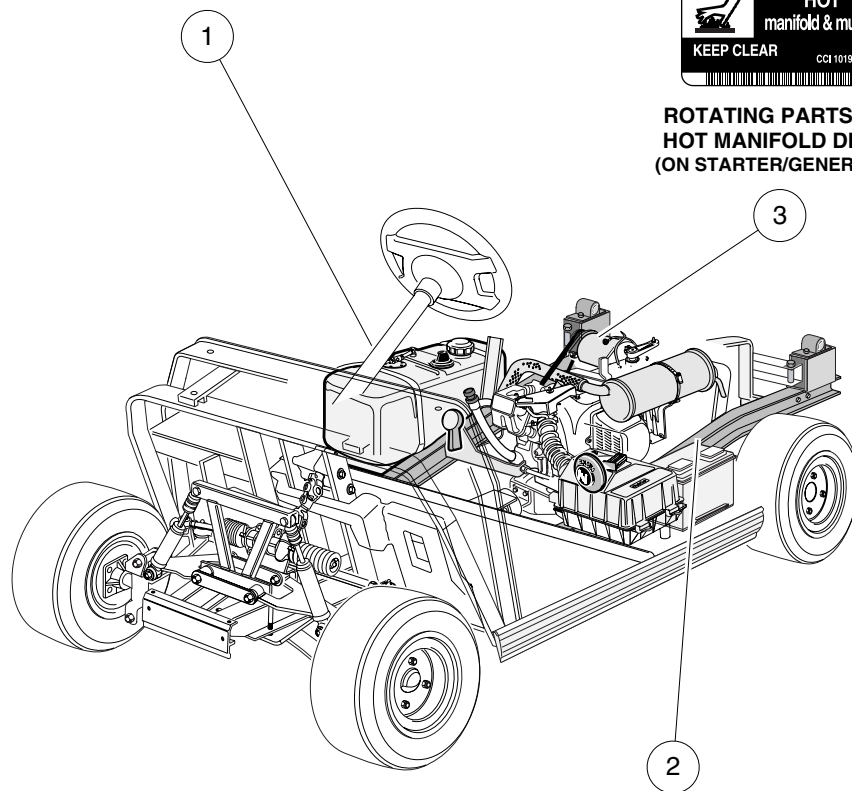
G



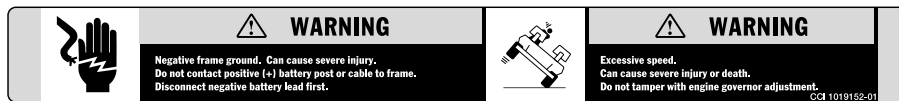
**GASOLINE WARNING DECAL
(ON VEHICLE FRAME NEAR FUEL TANK)**



**ROTATING PARTS AND
HOT MANIFOLD DECAL
(ON STARTER/GENERATOR)**



**FRAME GROUND AND
GOVERNOR WARNING DECAL
(ON VEHICLE FRAME NEAR BATTERY)**



000226-001

SAFETY DECALS – GASOLINE VEHICLES, CONTINUED

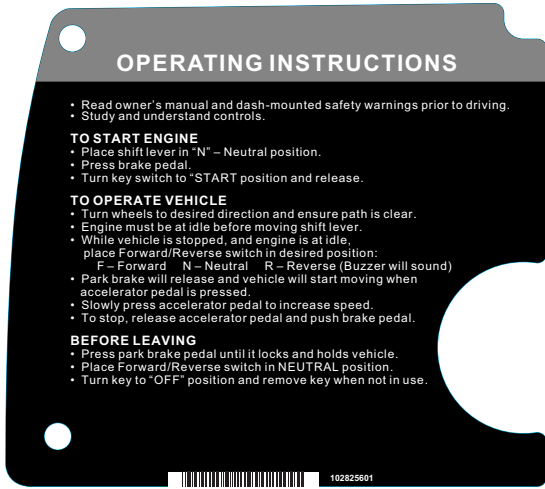
ITEM	PART NO.	DESCRIPTION	QTY
		1 2 3 4	
1	603 00 04-62	Decal, Gasoline Explosion/Fire Warning	1
2	603 00 05-85	Decal, Frame Ground and Governor Warning	1
3	603 00 06-15	Decal, Rotating Parts/Hot Manifold	1

3

G

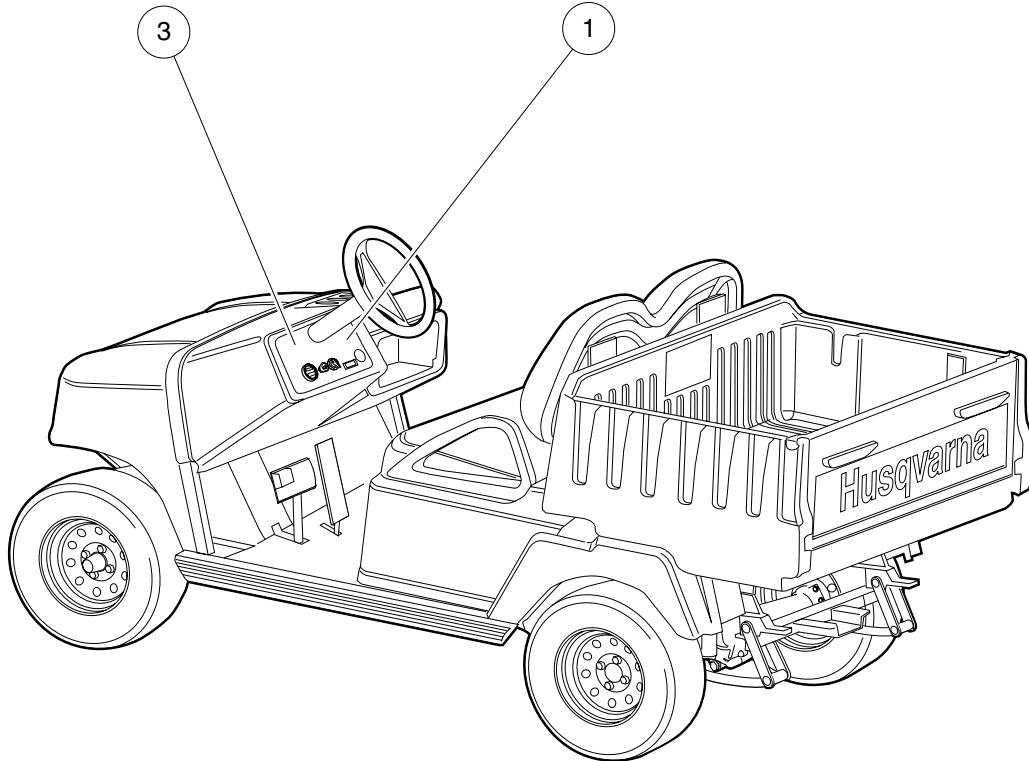
3

G



OPERATING INSTRUCTIONS

DRIVER AND PASSENGER WARNING DECAL



000227-001

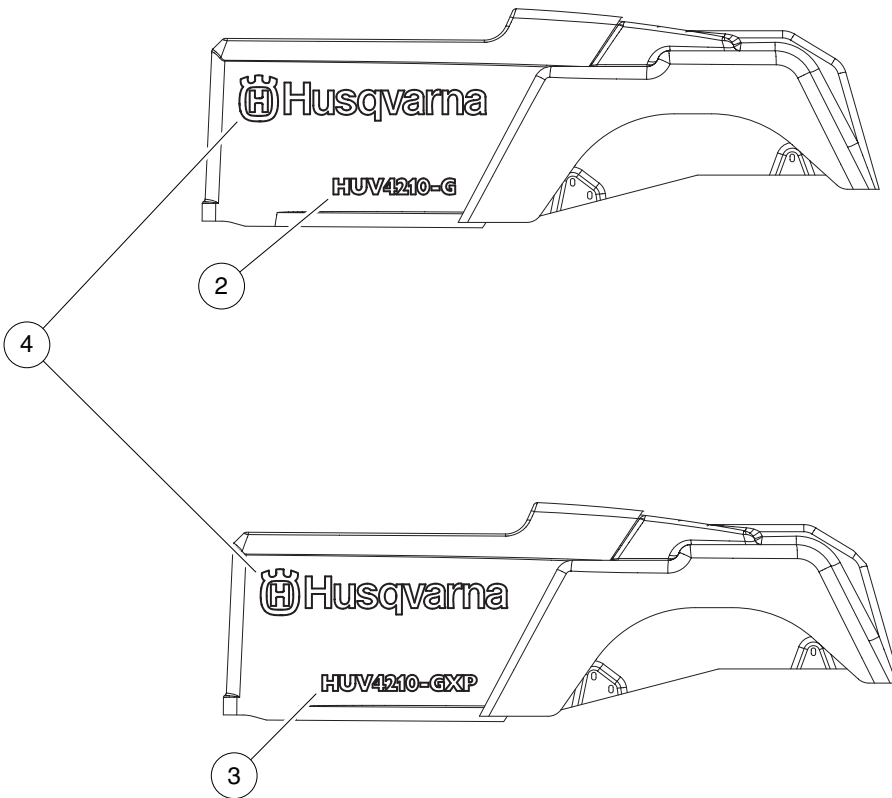
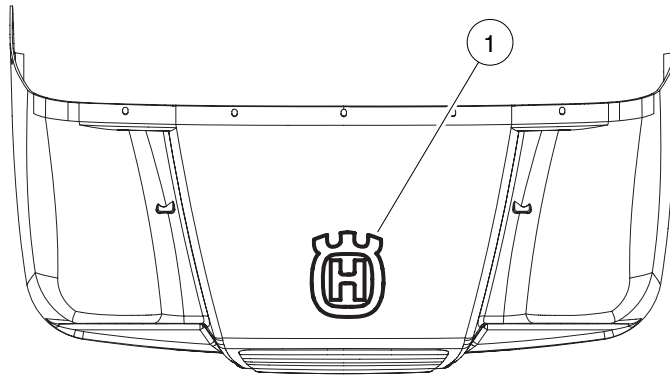
SAFETY DECALS – GASOLINE VEHICLES, CONTINUED

ITEM	PART NO.	DESCRIPTION	QTY
		1 2 3 4	
1	603 00 32-93	Decal, Warning, Instrument Panel	1
2	603 00 32-94	Decal, Warning, Instrument Panel	1
3	603 00 32-95	Decal, Operating Instructions, Instrument Panel	1
		Note: Item 2 is used only on vehicles equipped with a 12-volt accessory outlet.	

3

G

3
G



000300-001

LOGO DECALS – GASOLINE VEHICLES

ITEM	PART NO.	DESCRIPTION	QTY
		1 2 3 4	
1	603 00 32-99	Decal, Husqvarna, Cowl	1
2	603 00 33-00	Decal, Husqvarna, Side Panel (HUV4210-G)	2
3	603 00 33-01	Decal, Husqvarna, Side Panel (HUV4210-GXP)	2
4	603 00 23-69	Decal, Husq, Side	2

3

G

3

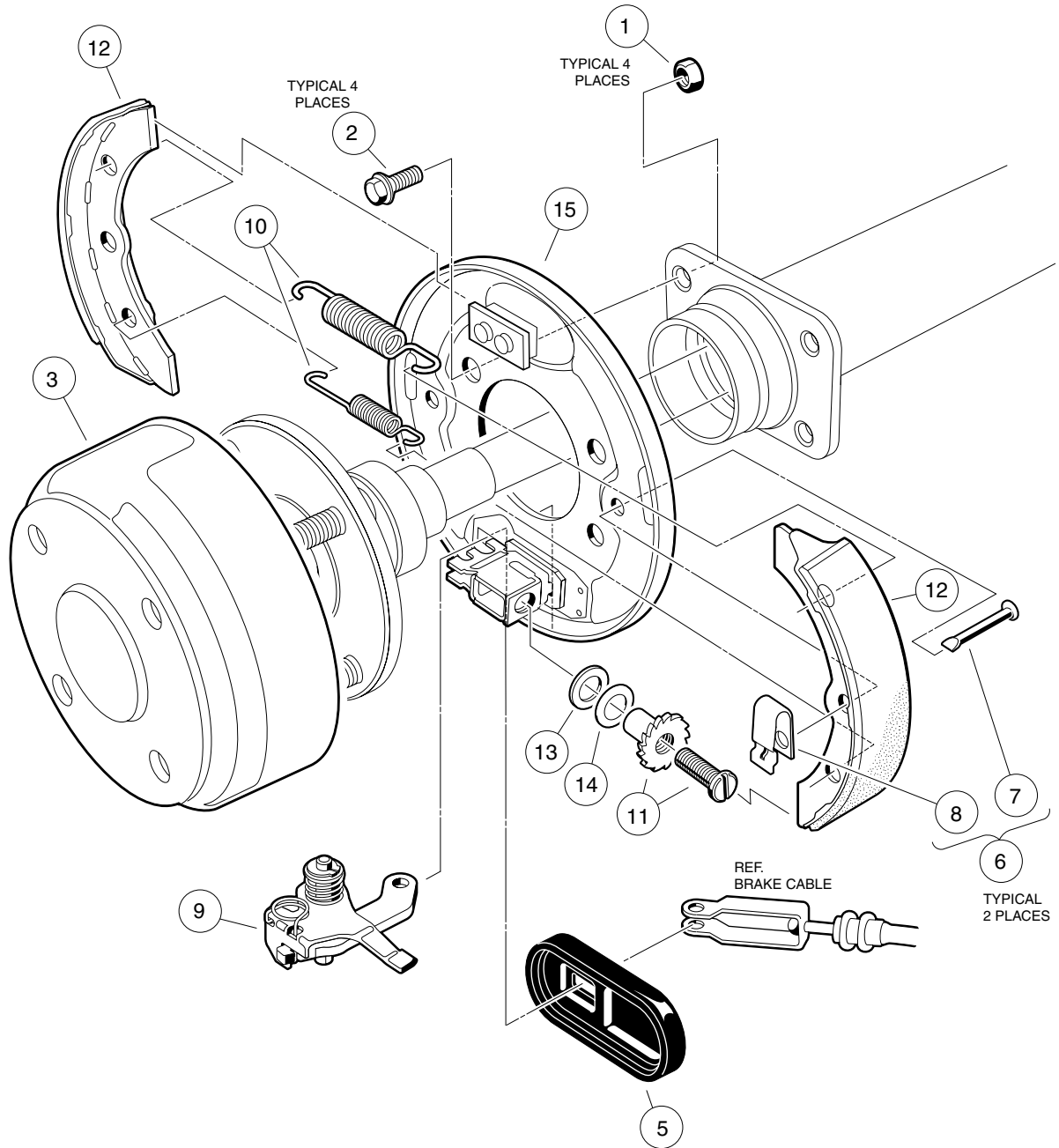
G

BRAKES, PEDAL, AND CABLE ASSEMBLIES

4

G

4
G



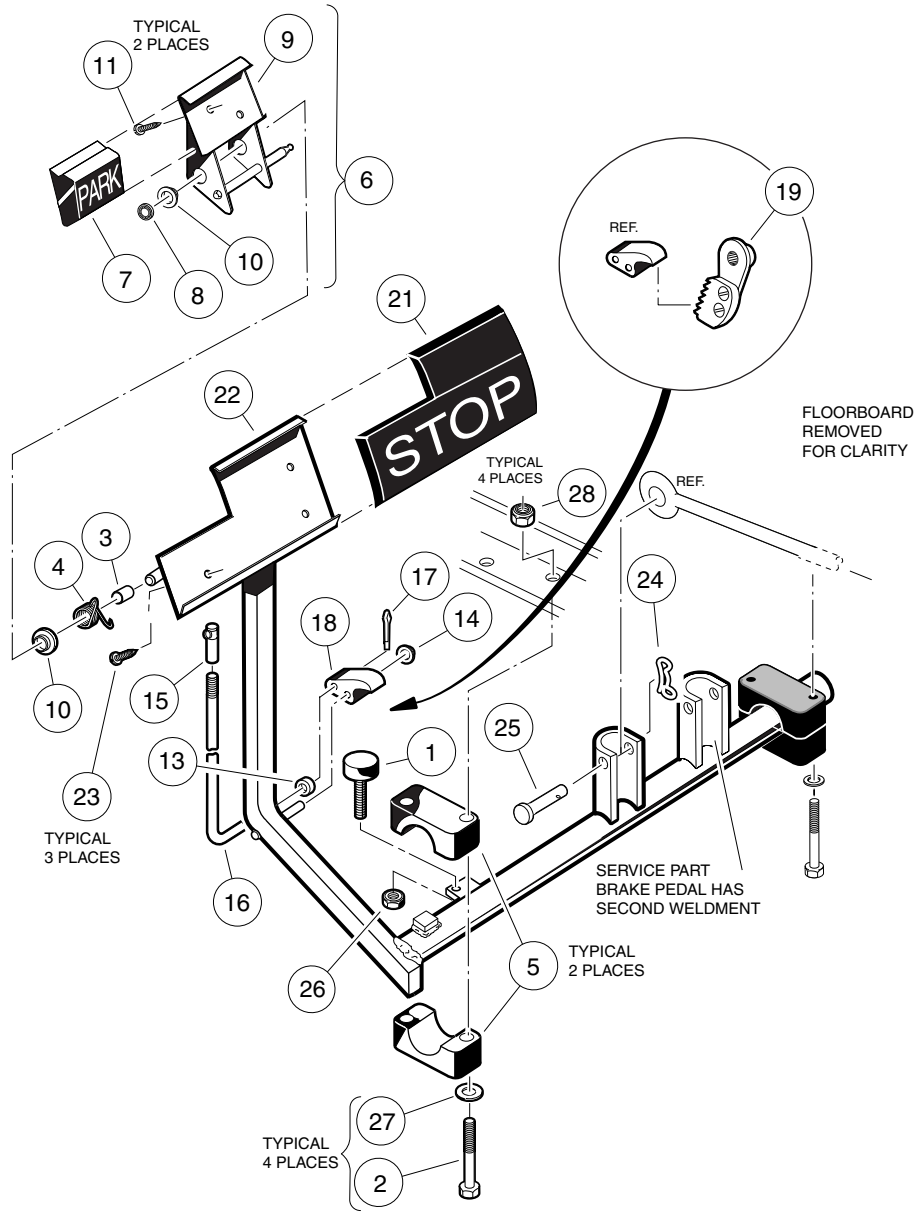
000186-001

REAR BRAKE ASSEMBLY, SELF-ADJUSTING – VEHICLE WITH 2-WHEEL BRAKES

4
G

ITEM	PART NO.	DESCRIPTION	QTY
		1 2 3 4	
1	603 00 01-93	Nut, 5/16-24 Hex Head Cone	8
2	603 00 30-69	Bolt, Brake Cluster Mounting	8
3	603 00 31-75	Drum without Center Hole, Brake	2
4	603 00 31-86	Cluster Assembly, Right (Passenger) Brake (includes items 5 through 15)	1
5	603 00 30-38	Dust Cover	1
6	603 00 30-44	Kit, Shoe Retainer (includes items 7 and 8)	1
7	N/A	Pin	2
8	N/A	Shoe Clamp Spring	2
9	603 00 31-79	Lever Assembly, Self-Adjusting Brake, Right (Passenger)	1
10	603 00 31-81	Package, Brake Spring, Self-Adjusting	1
11	603 00 31-82	Adj Mechanism, S.A. Brakes, Right (Passenger)	1
12	603 00 31-85	Package, Brake Shoe, Self-Adjusting	1
13	603 00 31-88	Plate, Washer, Brake, Self-Adjusting	1
14	603 00 31-89	Washer, Brake, Self-Adjusting	1
15	603 00 31-90	Plate Assembly, Right Brake Backing	1
16	603 00 31-87	Cluster Assembly, Left Brake (includes items 17 through 27)	1
17	603 00 30-38	Dust Cover	1
18	603 00 30-44	Kit, Shoe Retainer (includes items 19 and 20)	1
19	N/A	Pin	2
20	N/A	Shoe Clamp Spring	2
21	603 00 31-80	Lever Assembly, Self-Adjusting Brake, Left	1
22	603 00 31-81	Package, Brake Spring, Self-Adjusting	1
23	603 00 31-83	Adjusting Mechanism, Self-Adjusting Brake, Left	1
24	603 00 31-85	Package, Brake Shoe, Self-Adjusting	1
25	603 00 31-88	Plate, Washer, Brake, Self-Adjusting	1
26	603 00 31-89	Washer, Brake, Self-Adjusting	1
27	603 00 31-91	Plate Assembly, Left Brake Backing	1
<p>Note: Driver-side brake cluster not shown. Components have a similar appearance to passenger-side brake cluster components.</p>			

4
G



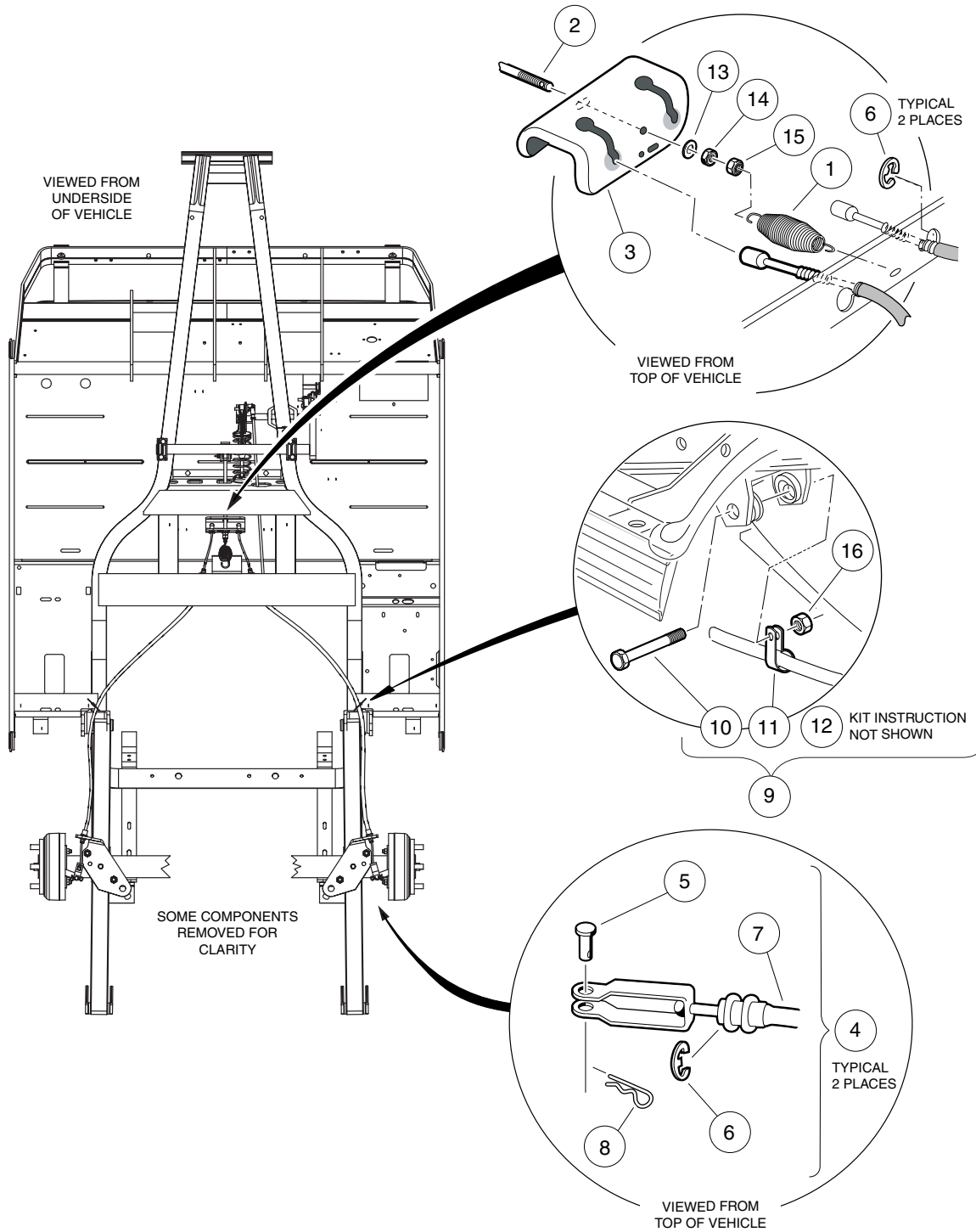
000187-001

BRAKE PEDAL ASSEMBLY – VEHICLES WITH TWO-WHEEL BRAKES

ITEM	PART NO.	DESCRIPTION	QTY
		1 2 3 4	
1	603 00 01-13	Bumper, Rubber	1
2	603 00 01-15	Screw, 5/16-18 X 2.50 Hex Cap	4
3	603 00 30-40	Hill Brake Spacer	1
4	603 00 30-42	Spring, Hill Brake Torsion	1
5	603 00 01-21	Package, Brake Mounting Block	1
6	603 00 30-43	Kit, Hill Brake Pedal (includes items 7 through 11)	1
7	603 00 30-65	Pad, Hill Brake	1
8	603 00 30-66	Pushnut, 3/8	1
9	N/A	Hill Brake Weld Assembly	1
10	603 00 33-02	Bushing, Nylon	2
11	603 00 00-81	Screw, #10-16 Type AB, Sheet Metal	2
12	603 00 30-46	Kit, Hill Brake Latch (includes items 13 through 19)	1
13	603 00 30-37	Sleeve, Hill Brake Rod	1
14	603 00 30-39	Pushnut, 3/8	1
15	603 00 30-41	Ball Joint, 1/4-28	1
16	N/A	Rod, Hill Brake	1
17	603 00 31-55	Pin, Cotter, 7/64 x 1/2 Stainless-Steel	1
18	N/A	Pawl, Hill Brake	1
19	N/A	Ratchet Assembly	1
20	603 00 32-00	Brake Pedal Kit (includes items 21 through 23)	1
21	603 00 30-64	Pad, Brake Pedal	1
22	N/A	Weldment, Brake Pedal 4wb Std	1
23	603 00 00-81	Screw, #10-16 Type AB, Sheet Metal	3
24	603 00 08-82	Pin, Bow Tie Locking	1
25	603 00 26-01	Pin, 3/8 X 1-5/16 Clevis	1
26	603 00 00-62	Nut, 1/4-20 Hex	1
27	603 00 00-65	Washer, 5/16 Type A Flat	4
28	603 00 00-78	Locknut, 5/16-18 Nylon Insert	4

4

G



000245-002

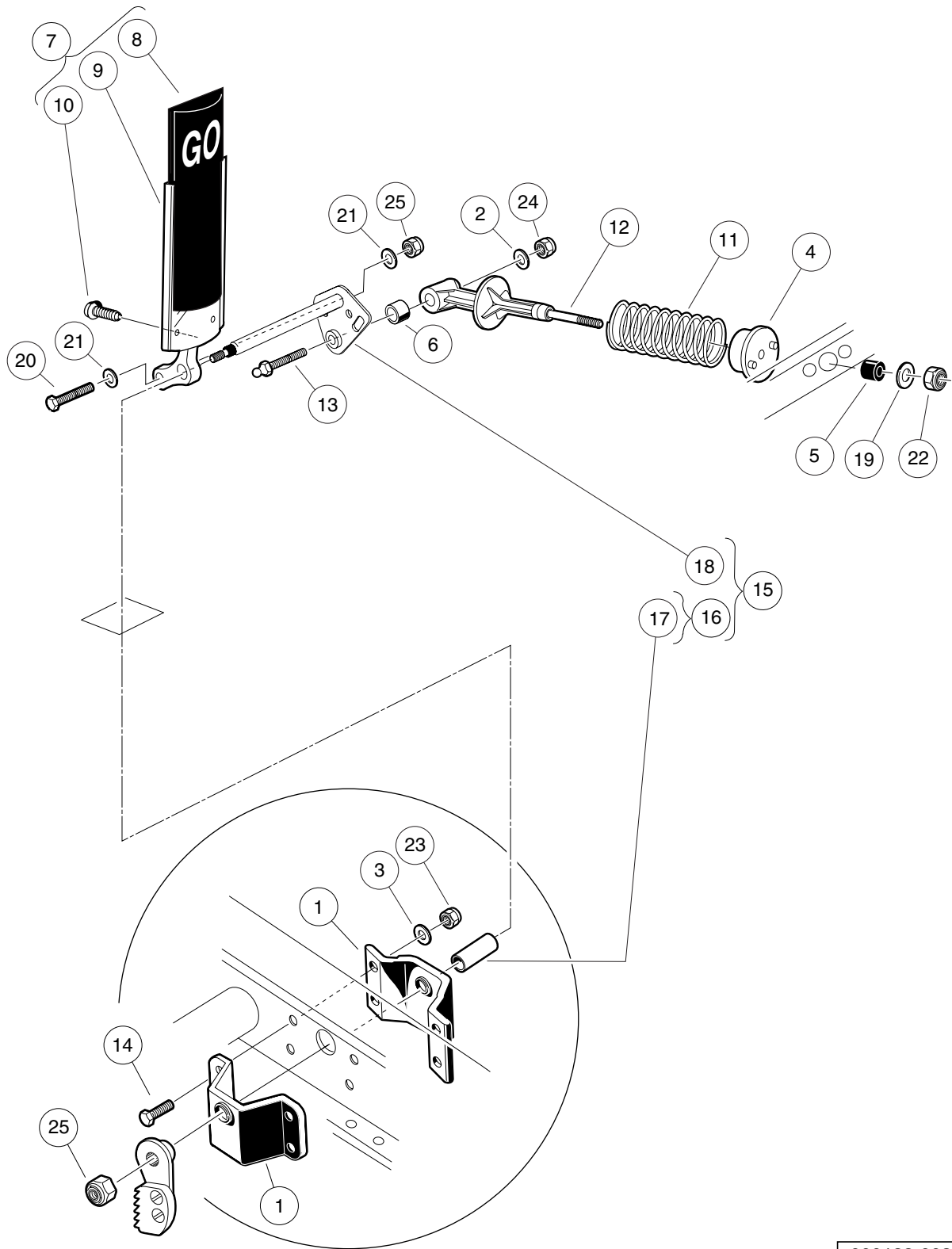
BRAKE CABLE, EQUALIZER, AND EQUALIZER ROD – VEHICLES WITH TWO-WHEEL BRAKES

ITEM	PART NO.	DESCRIPTION	QTY
		1 2 3 4	
1	603 00 01-75	Spring, Brake Return	1
2	603 00 32-37	Rod, Equalizer	1
3	603 00 32-49	Equalizer Bracket	1
4	603 00 32-51	Brake Cable Kit (includes items 5 through 8)	2
5	603 00 01-12	Pin, Clevis, 5/16 X 3/4	1
6	603 00 01-30	E-Clip, 1/2	2
7	N/A	Cable, Brake	1
8	603 00 00-63	Pin, 3/32 X 1.00 Sq Cut Cotter	1
9	603 00 43-45	Kit, Field P-clamp, Brake Line (includes items 10 through 12)	1
10	603 00 07-82	Screw, 3/8-16 X 3.50 Hex Cap	2
11	603 00 43-44	P-clamp, Brake Line	2
12	603 00 43-76	Instr Fd. P-clamp, Brake Line	1
13	603 00 00-65	Washer, 5/16 Type A Flat	5
14	603 00 00-66	Nut, 5/16-18 Hex	1
15	603 00 00-78	Locknut, 5/16-18 Nylon Insert	5
16	603 00 00-95	Locknut, 3/8-16 Hex	2

4

G

4
G



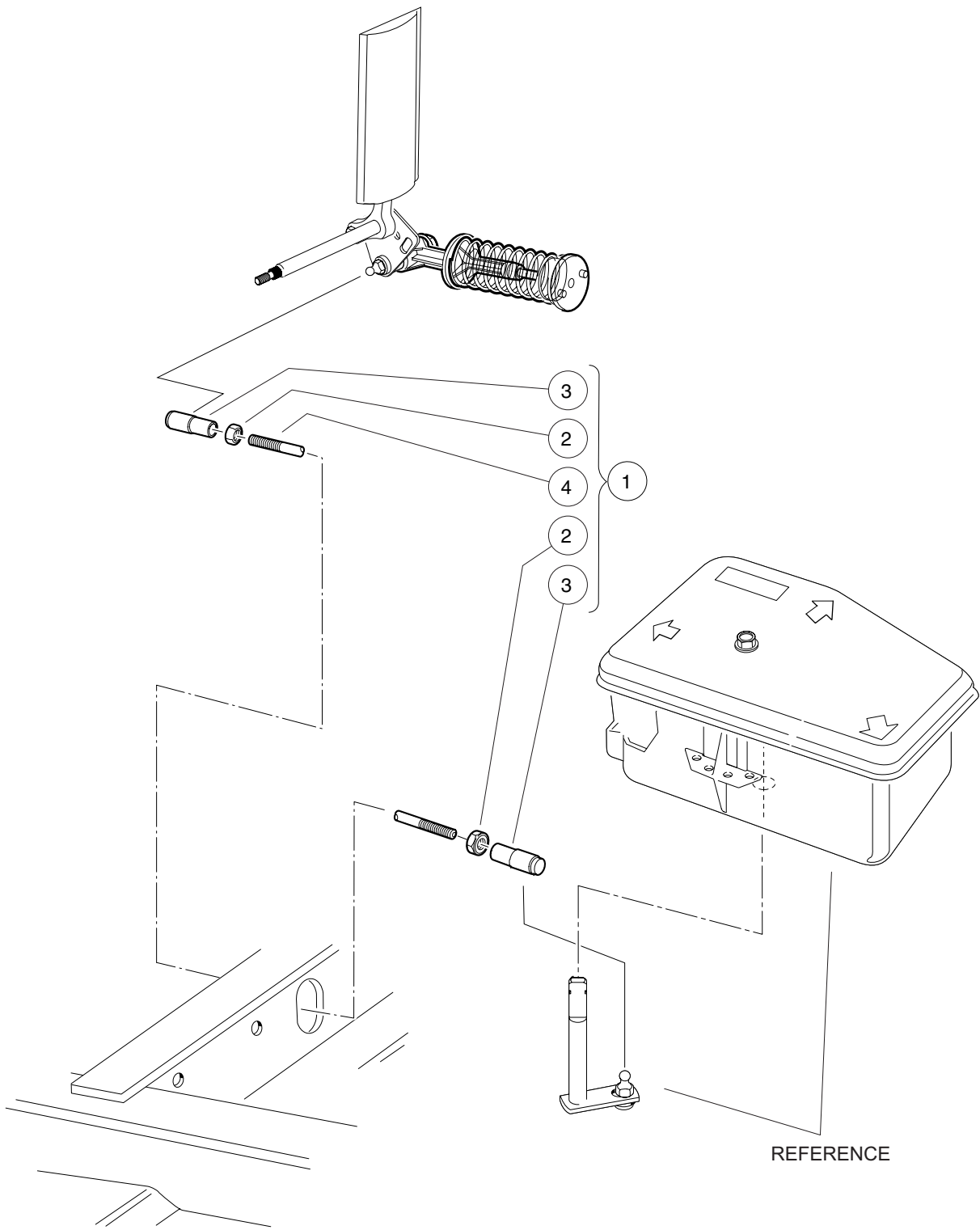
000188-003

ACCELERATOR PEDAL ASSEMBLY – GASOLINE VEHICLE

ITEM	PART NO.	DESCRIPTION	QTY
		1 2 3 4	
1	603 00 01-26	Accelerator Bracket and Bearing Assembly	2
2	603 00 30-48	Washer, 1/4 Flat	1
3	603 00 01-94	Washer, 1/4 Flat	4
4	603 00 03-92	Cup, Spring	1
5	603 00 03-93	Bumper, Spring Return	1
6	603 00 03-95	Bearing, Pivot Support	1
7	603 00 04-32	Sub Asm, Accelerator Pedal (includes items 8 through 10)	1
8	603 00 01-92	Pad, Accelerator Pedal	1
9	N/A	Accelerator Pedal Weldment	1
10	603 00 00-81	Screw, #10-16 Type AB, Sheet Metal	4
11	603 00 04-90	Spring, Accelerator Return	1
12	603 00 04-99	Retainer, Spring	1
13	603 00 05-00	Stud, 1/4-28 X 1.35 Ball	1
14	603 00 05-28	Screw, 1/4-20 X 1.125 Hex Cap	4
15	603 00 06-97	Kit, Accelerator Pivot Rod Assembly (includes items 16 through 18)	1
16	603 00 22-38	Spacer Assembly (includes item 17)	1
17	N/A	Spacer, Accelerator	1
18	N/A	Pivot Rod Weldment	1
19	603 00 00-65	Washer, 5/16 Type A Flat	1
20	603 00 00-68	Screw, 3/8-16 X 1.50 Hex-Head Cap	1
21	603 00 00-55	Washer, 3/8 Type A Flat	2
22	603 00 00-78	Locknut, 5/16-18 Nylon Insert	1
23	603 00 00-89	Locknut, 1/4-20 Nylon Insert	4
24	603 00 00-94	Locknut, 1/4-28 Nylon Insert	1
25	603 00 00-95	Locknut, 3/8-16 Hex	2

4
G

4
G



000362-001

ACCELERATOR ROD

ITEM	PART NO.	DESCRIPTION	QTY
		1 2 3 4	
1	603 00 32-23	Rod, Accelerator (includes items 2 through 4)	1
2	603 00 01-19	Nut, 1/4-28 Hex Jam	2
3	603 00 01-29	Joint, Ball	2
4	N/A	Accelerator Rod	1

4

G

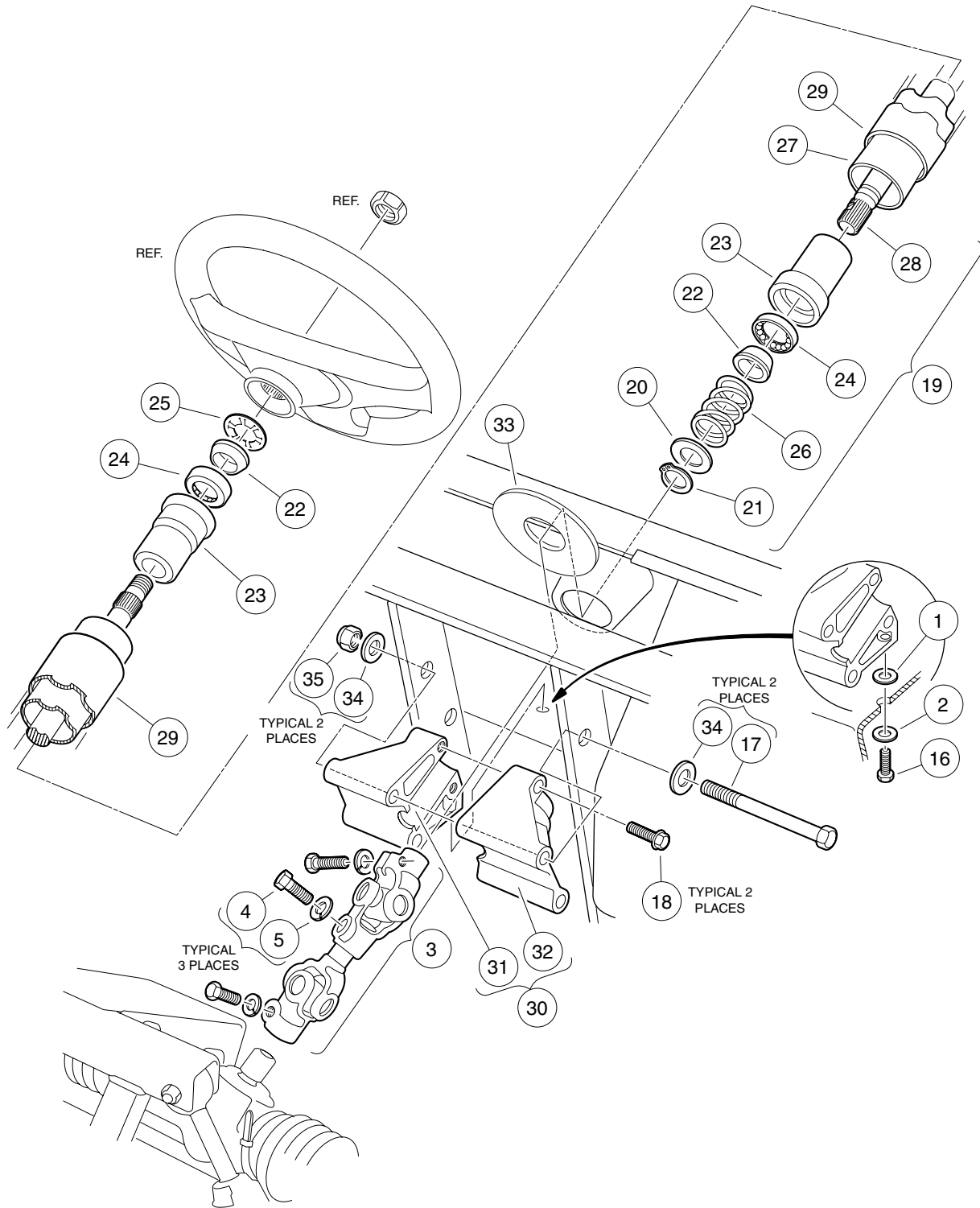
4

G

STEERING, FRONT, AND REAR SUSPENSIONS

5

G



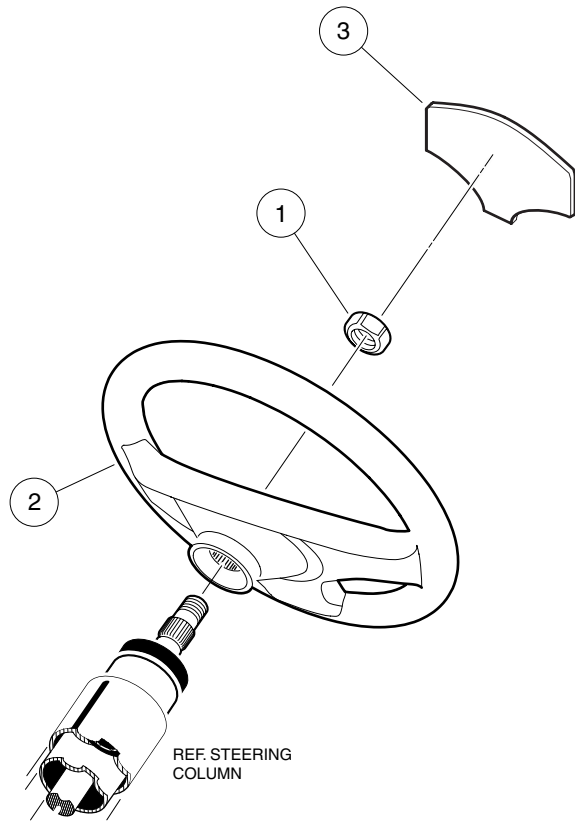
000247-001

STEERING COLUMN

ITEM	PART NO.	DESCRIPTION	QTY
		1 2 3 4	
1	603 00 30-45	Washer, 5/16 Type B Flat	1
2	603 00 01-27	Washer, 5/16 Flat	1
3	603 00 30-63	Intermediate Steering Shaft (includes items 4 and 5)	1
4	603 00 03-86	Bolt, Hex-Head, 8mm X 1.25 - 30	3
5	603 00 00-72	Lockwasher, 5/16 Split	3
6	603 00 30-73	Steering Column Rebuild Kit (includes items 7 through 15)	A/R
7	603 00 30-53	Dust Cover	1
8	603 00 01-48	Ring, 0.579 Internal Retaining	1
9	603 00 02-12	Wedge, Molded	2
10	603 00 02-13	Seat, Plastic Bearing	2
11	603 00 30-71	Seal, Bearing	1
12	603 00 30-72	Spacer, Shaft	1
13	603 00 02-16	Bearing, Ball	2
14	603 00 02-17	Ring, Retaining	1
15	603 00 02-18	Spring, Steering Shaft	1
16	603 00 02-20	Screw, 5/16-18 X 0.75 Thread-Forming	1
17	603 00 02-81	Screw, 3/8-16 X 7.00 Hex Cap	2
18	603 00 30-86	Screw, 5/16-18 Thrd Forming	2
19	603 00 31-61	Steering Shaft Assembly (includes items 20 through 28)	1
20	603 00 01-47	Washer, 0.675 ID X 1.19 OD	1
21	603 00 01-48	Ring, 0.579 Internal Retaining	1
22	603 00 02-12	Wedge, Molded	2
23	603 00 02-13	Seat, Plastic Bearing	2
24	603 00 02-16	Bearing, Ball	2
25	603 00 02-17	Ring, Retaining	1
26	603 00 02-18	Spring, Steering Shaft	1
27	603 00 31-62	Column, Aluminum Steering	1
28	603 00 03-90	Shaft Steering Column	1
29	603 00 31-63	Tube Cover, Steering Column	1
30	603 00 32-46	Kit, Steering Column Mounting Bracket (includes items 31 and 32)	1
31	N/A	Bracket, RH Steering Column Mount	1
32	N/A	Bracket, LH Steering column mount	1
33	603 00 08-68	Boot, Steering Column Round	1
34	603 00 00-55	Washer, 3/8 Type A Flat	4
35	603 00 00-95	Locknut, 3/8-16 Hex	2
		Note: Item 6 is not illustrated.	

5

G



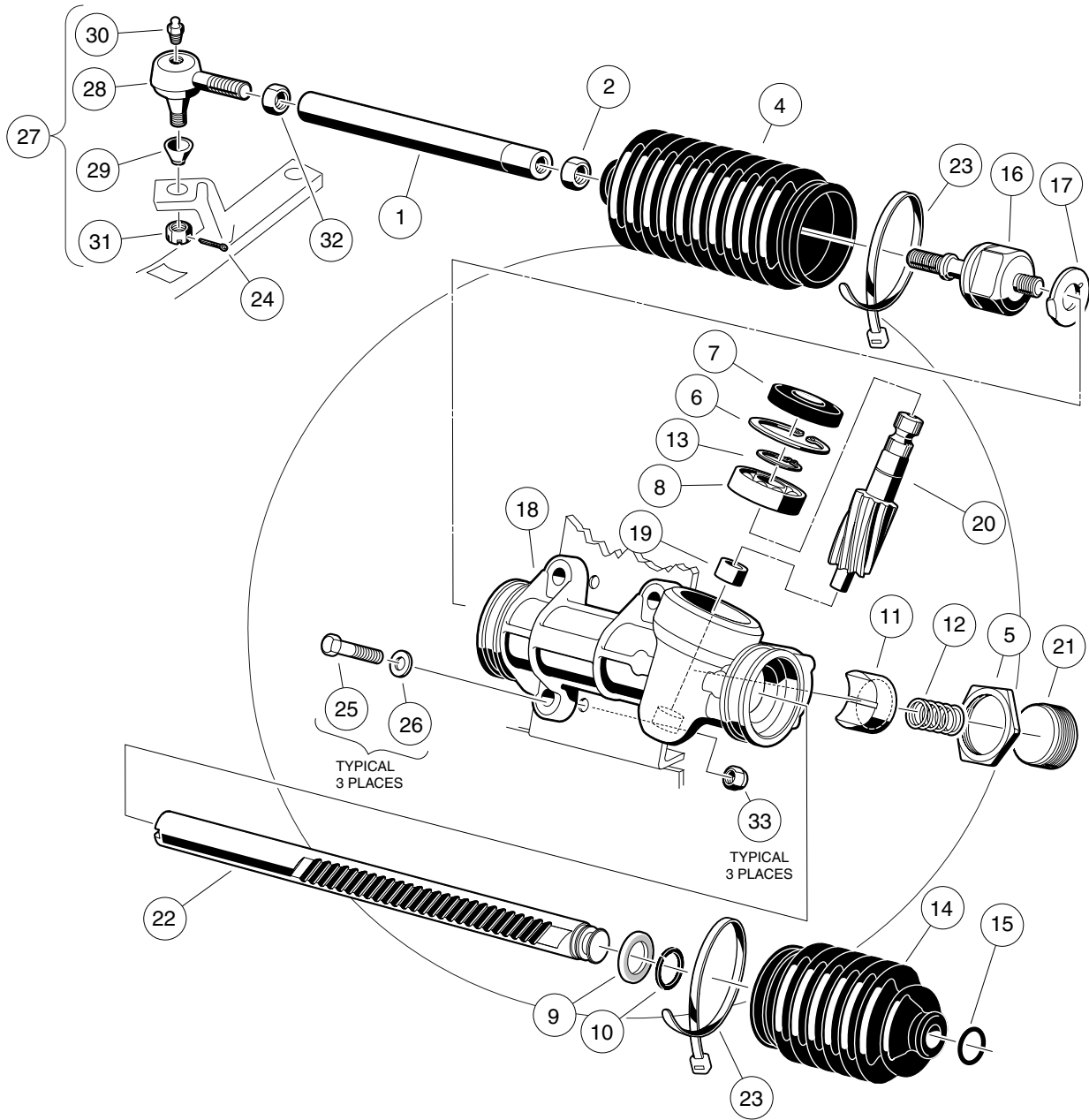
000246-001

STEERING WHEEL

ITEM	PART NO.	DESCRIPTION	QTY
		1 2 3 4	
1	603 00 03-89	Nut, 5/8-18 Nylon Insert Jam	1
2	603 00 32-77	Steering Wheel, Spline	1
3	603 00 32-91	Wheel Center	1

5

G

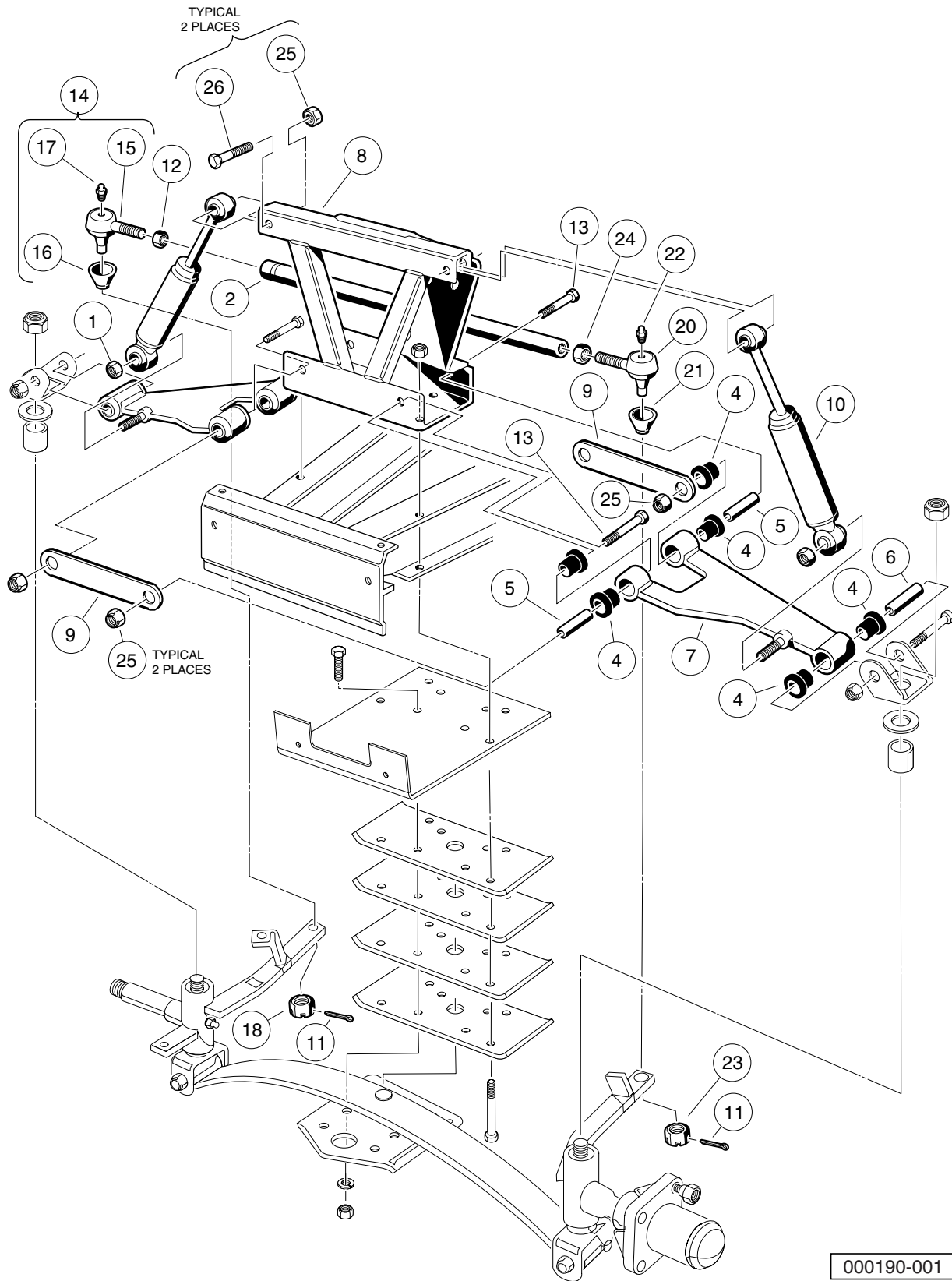


000189-001

STEERING GEAR ASSEMBLY

ITEM	PART NO.	DESCRIPTION	QTY
		1 2 3 4	
1	603 00 30-54	Link, Rack and Pinion Drag	1
2	603 00 01-67	Nut, 12mm Hex	1
3	603 00 32-01	Steering Gear Assembly (without yoke) (includes items 4 through 23)	1
4	603 00 01-66	Bellows, Long	1
5	603 00 01-68	Rack Screw Locknut	1
6	603 00 01-69	Snap Ring	1
7	603 00 01-70	Seal, Steering Pinion Dust	1
8	603 00 05-49	Bearing, Ball	1
9	603 00 32-02	Stop Washer	1
10	603 00 32-03	Stop Ring, C-Type	1
11	603 00 05-50	Support Yoke	1
12	603 00 05-51	Rack Guide Pressure Spring	1
13	603 00 05-52	Ring, Stop, C-Type	1
14	603 00 32-04	Bellows, Short	1
15	603 00 32-05	Dust Seal Retaining Ring	1
16	603 00 05-53	Inner Ball Joint Asm	1
17	603 00 32-06	Washer, Tab	1
18	N/A	Box, Steering Gear	1
19	N/A	Bearing, Lower Pinion	1
20	N/A	Pinion, Steering	1
21	N/A	Screw, Rack Guide	1
22	N/A	Rack, Steering	1
23	603 00 29-63	Tie Wrap, 8" Nylon	2
24	603 00 00-63	Pin, 3/32 X 1.00 Sq Cut Cotter	1
25	603 00 00-68	Screw, 3/8-16 X 1.50 Hex-Head Cap	3
26	603 00 00-55	Washer, 3/8 Type A Flat	3
27	603 00 20-40	Ball Joint, Left (includes items 28 through 31)	1
28	N/A	Socket, LH Vertical	1
29	603 00 30-47	Seal, Vertical Socket Dust	1
30	603 00 02-64	Fitting, 1/4-28 Thread-Forming Grease	1
31	603 00 33-09	Nut, 3/8-24 UNF Hex	1
32	603 00 33-08	Nut, 1/2-20 Hex, Left-Hand Thread	1
33	603 00 00-95	Locknut, 3/8-16 Hex	3

5
G

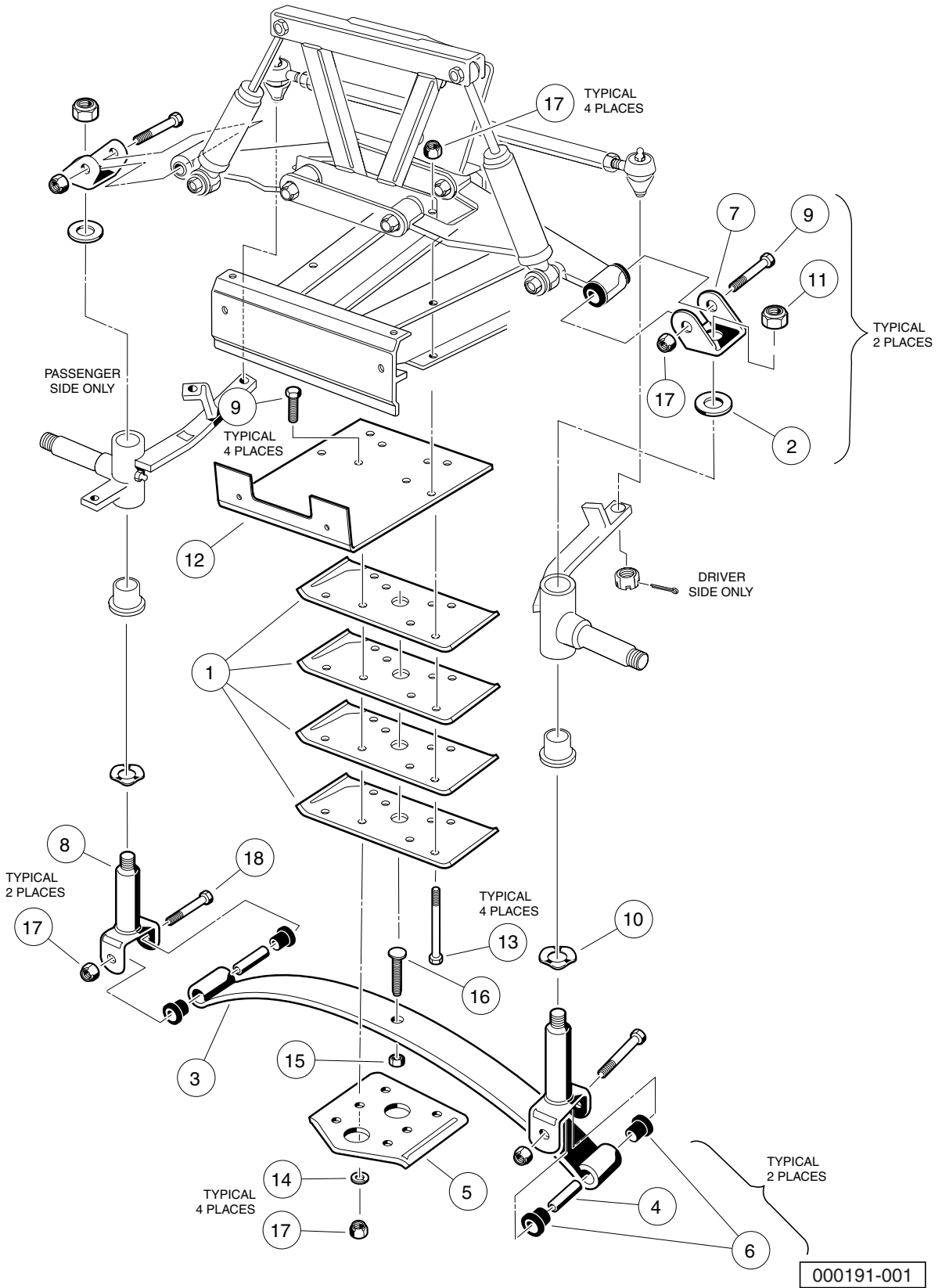


FRONT SUSPENSION, UPPER – VEHICLES WITH TWO-WHEEL BRAKES

ITEM	PART NO.	DESCRIPTION	QTY
		1 2 3 4	
1	603 00 01-01	Locknut, 3/8-16 Dimpled	2
2	603 00 30-36	Tie Rod	1
3	603 00 36-32	Sub-Assembly, Delta A-Plate (includes items 4 through 7)	2
4	603 00 02-90	Bushing, Urethane	6
5	603 00 30-87	Sleeve, Delta Inner	2
6	603 00 30-88	Sleeve, Delta Outer	1
7	N/A	Delta A-Plate	1
8	603 00 30-91	Delta Shock and Gear Support Assembly	1
9	603 00 31-60	A-Plate Strap	2
10	603 00 43-77	Shock Absorber, Front, Common	2
11	603 00 00-63	Pin, 3/32 X 1.00 Sq Cut Cotter	2
12	603 00 33-03	Nut, 1/2-20 Hex	1
13	603 00 33-04	Screw, 3/8-16 X 2.25 Hx Hd Cap	4
14	603 00 20-39	Ball Joint, Right-Hand (includes items 15 through 18)	1
15	N/A	Socket, RH Vertical	1
16	603 00 30-47	Seal, Vertical Socket Dust	1
17	603 00 02-64	Fitting, 1/4-28 Thread-Forming Grease	1
18	603 00 33-09	Nut, 3/8-24 UNF Hex	1
19	603 00 20-40	Ball Joint, Left (includes items 20 through 23)	1
20	N/A	Socket, LH Vertical	1
21	603 00 30-47	Seal, Vertical Socket Dust	1
22	603 00 02-64	Fitting, 1/4-28 Thread-Forming Grease	1
23	603 00 33-09	Nut, 3/8-24 UNF Hex	1
24	603 00 33-08	Nut, 1/2-20 Hex, Left-Hand Thread	1
25	603 00 00-95	Locknut, 3/8-16 Hex	10
26	603 00 33-11	Bolt, 3/8-16 X 1.75 Hex	2

5
G

5
G

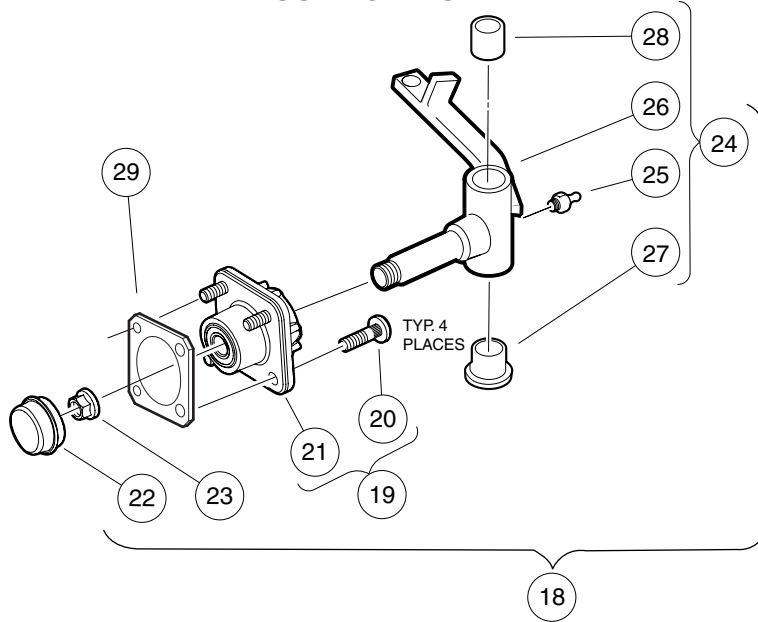


FRONT SUSPENSION, LOWER – VEHICLES WITH TWO-WHEEL BRAKES

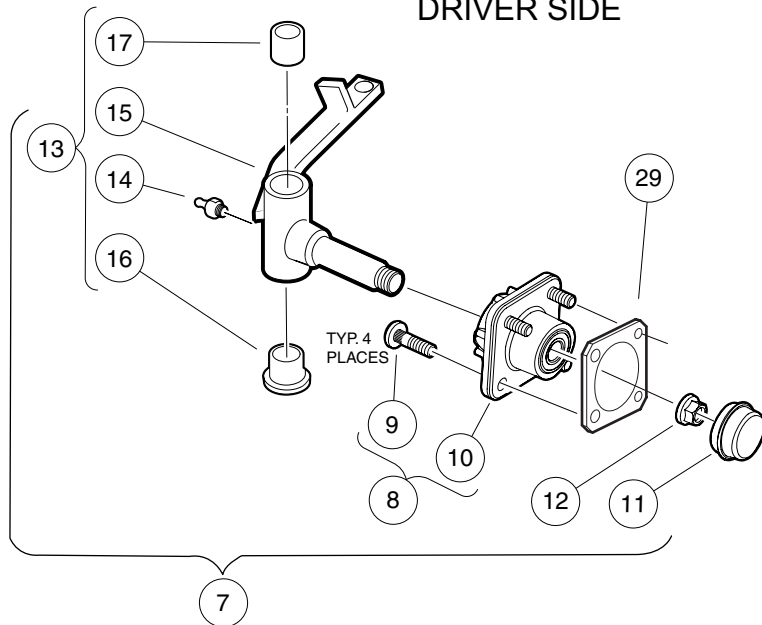
ITEM	PART NO.	DESCRIPTION	QTY
		1 2 3 4	
1	603 00 30-34	Plate, Spring Mount	4
2	603 00 01-05	Bearing, Thrust	2
3	603 00 30-49	Spring, Front Leaf	1
4	603 00 01-36	Bushing, Steel	2
5	603 00 30-75	Plate, Front Spring Retainer	1
6	603 00 02-63	Bushing, Urethane	4
7	603 00 30-90	Clevis, Delta Upper	2
8	603 00 30-92	King Pin Assembly	2
9	603 00 02-91	Screw, 3/8-16 X 2.75 Hx Hd Cap	6
10	603 00 02-92	Washer, 1.125 Od Wave	2
11	603 00 05-78	Locknut, 1/2-20 Nylon Insert	2
12	603 00 32-97	Support, Brush Guard	1
13	603 00 20-58	Screw, 3/8-16 X 5.50 Hx Hd Cap	4
14	603 00 00-56	Washer, Lock, Hel Sp 3/8 Reg	4
15	603 00 33-05	Nut, Hex 3/8-16	1
16	603 00 33-10	Screw, Eccentric Adjustment	1
17	603 00 00-95	Locknut, 3/8-16 Hex	8
18	603 00 00-96	Screw, 3/8-16 X 3.375 Hex Cap	2

5
G

PASSENGER SIDE

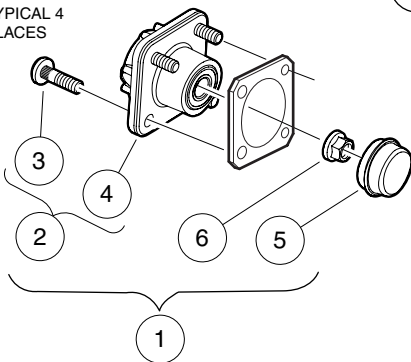


DRIVER SIDE



REPLACEMENT HUB FOR DRIVER OR PASSENGER SIDE

TYPICAL 4 PLACES



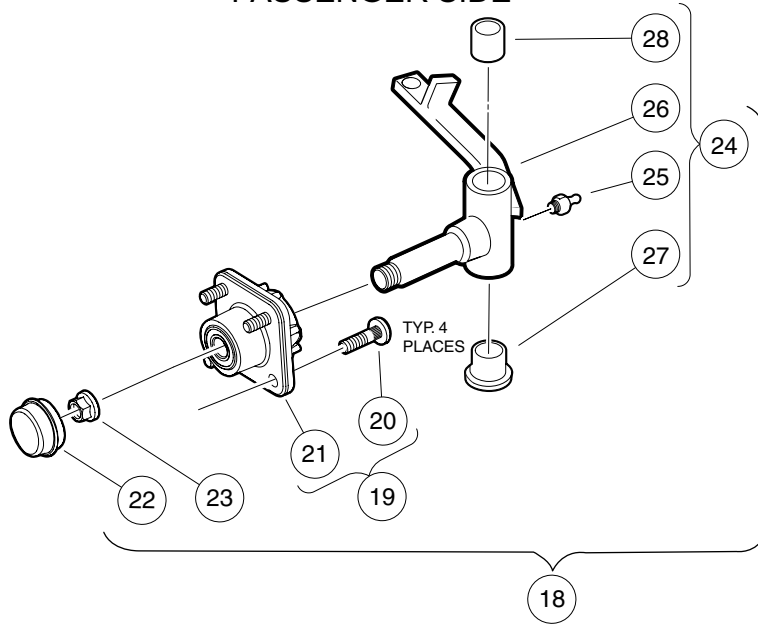
000301-001

FRONT SPINDLES AND HUBS – EARLIER STYLE

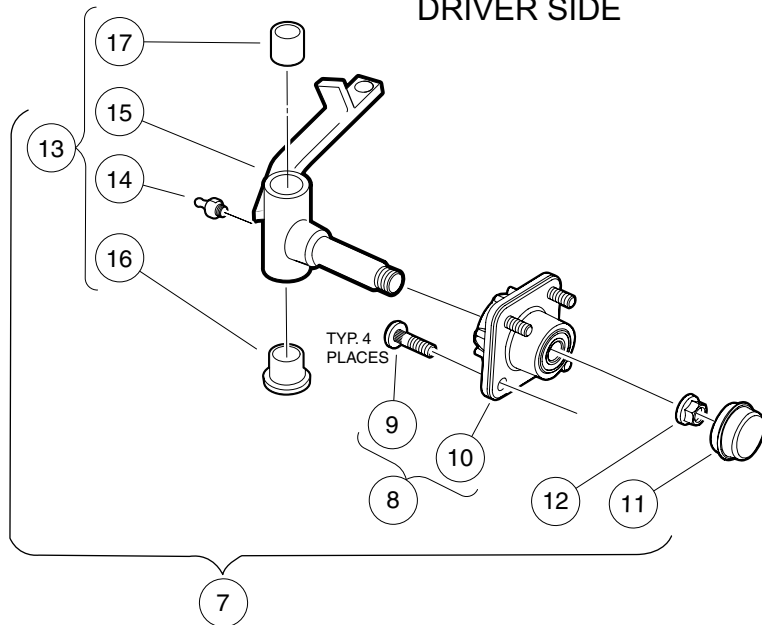
ITEM	PART NO.	DESCRIPTION	QTY
		1 2 3 4	
1	603 00 22-69	Replacement Kit, Front Hub (includes items 2 through 6)	2
2	N/A	Front Hub Assembly, Ball Bearing (includes items 3 and 4)	1
3	603 00 32-60	Lug Stud, 1/2-20 UNF, 4037 Stl	4
4	N/A	Hub, Front	1
5	603 00 32-58	Cap, Front Hub	1
6	603 00 32-59	Hex Nut, Locking Flange, M14x2	1
7	N/A	Asm, Front Hub And Spindle, Left-Hand (includes items 8 through 13)	1
8	N/A	Front Hub Assembly, Ball Bearing (includes items 9 and 10)	1
9	603 00 32-60	Lug Stud, 1/2-20 UNF, 4037 Stl	4
10	N/A	Hub, Front	1
11	603 00 32-58	Cap, Front Hub	1
12	603 00 32-59	Hex Nut, Locking Flange, M14x2	1
13	603 00 32-62	Assembly, Spindle, Left-Hand (includes items 14 through 17)	1
14	603 00 02-64	Fitting, 1/4-28 Thread-Forming Grease	1
15	N/A	Sub-Assembly, Spindle, Left-Hand	1
16	603 00 00-70	Bushing, Flanged Bronze	1
17	603 00 00-88	Bushing, Bronze Spindle	1
18	N/A	Asm, Front Hub And Spindle, Right-Hand (includes items 19 through 24)	1
19	N/A	Front Hub Assembly, Ball Bearing (includes items 20 and 21)	1
20	603 00 32-60	Lug Stud, 1/2-20 UNF, 4037 Stl	4
21	N/A	Hub, Front	1
22	603 00 32-58	Cap, Front Hub	1
23	603 00 32-59	Hex Nut, Locking Flange, M14x2	1
24	603 00 32-61	Assembly, Spindle, Right-Hand (includes items 25 through 28)	1
25	603 00 02-64	Fitting, 1/4-28 Thread-Forming Grease	1
26	N/A	Sub-Assembly, Spindle, Right-Hand	1
27	603 00 00-70	Bushing, Flanged Bronze	1
28	603 00 00-88	Bushing, Bronze Spindle	1
29	603 00 23-67	Spacer, Wheel	2

5
G

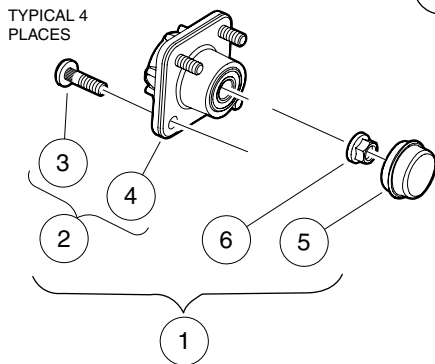
PASSENGER SIDE



DRIVER SIDE



REPLACEMENT HUB FOR DRIVER OR PASSENGER SIDE



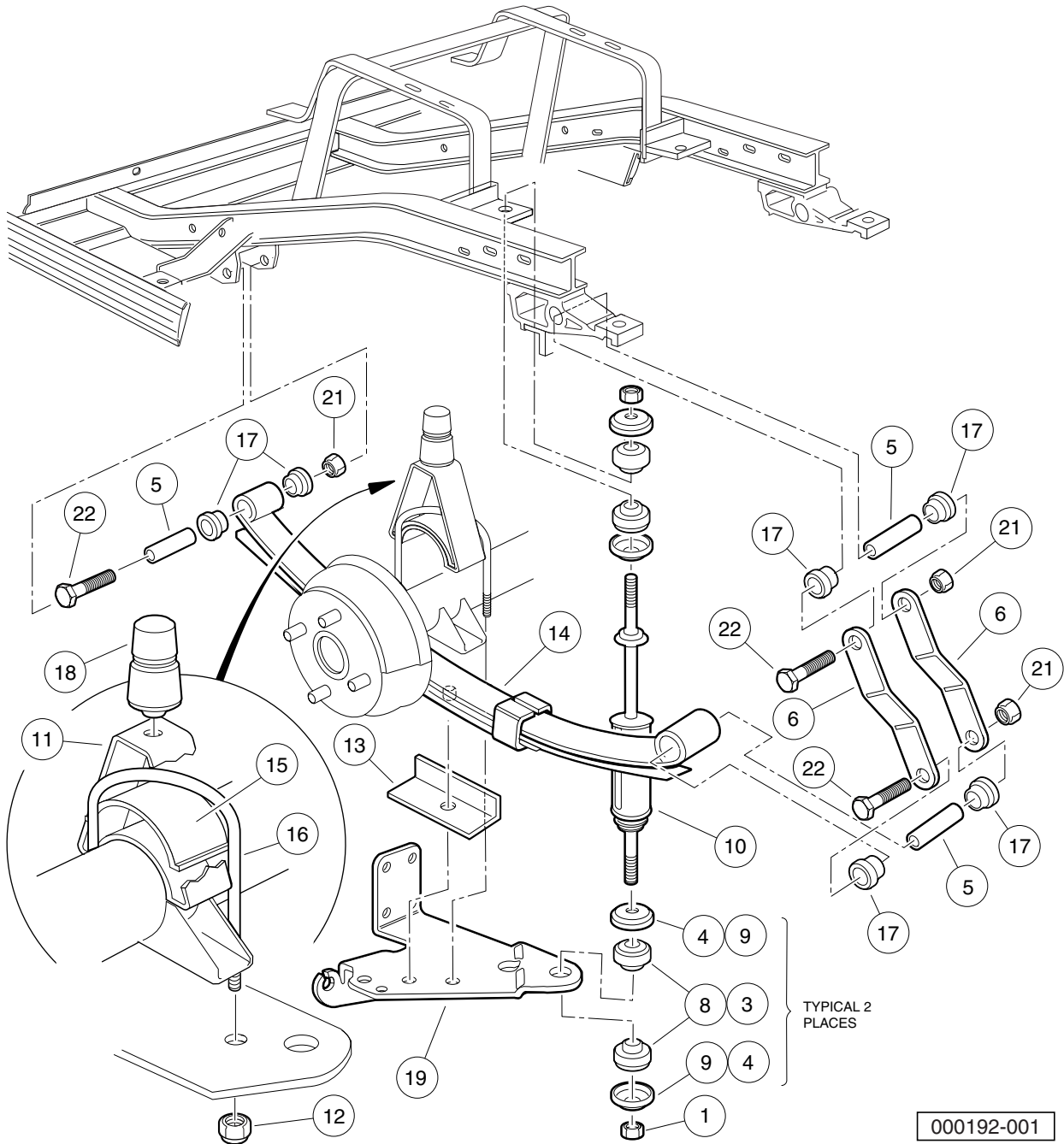
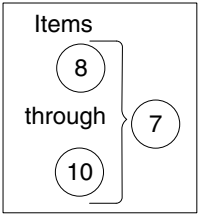
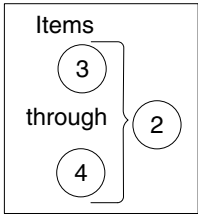
000301-002

FRONT SPINDLES AND HUBS – LATER STYLE

ITEM	PART NO.	DESCRIPTION	QTY
		1 2 3 4	
1	603 00 22-69	Replacement Kit, Front Hub (includes items 2 through 6)	2
2	N/A	Front Hub Assembly, Ball Bearing (includes items 3 and 4)	1
3	603 00 32-60	Lug Stud, 1/2-20 UNF, 4037 Stl	4
4	N/A	Hub, Front	1
5	603 00 32-58	Cap, Front Hub	1
6	603 00 32-59	Hex Nut, Locking Flange, M14x2	1
7	N/A	Asm, Hub And Spindle, Left-Hand Ext (includes items 8 through 13)	1
8	N/A	Front Hub Assembly, Ball Bearing (includes items 9 and 10)	1
9	603 00 32-60	Lug Stud, 1/2-20 UNF, 4037 Stl	4
10	N/A	Hub, Front	1
11	603 00 32-58	Cap, Front Hub	1
12	603 00 32-59	Hex Nut, Locking Flange, M14x2	1
13	603 00 23-63	Asm, Spindle, LH, Ext (includes items 14 through 17)	1
14	603 00 02-64	Fitting, 1/4-28 Thread-Forming Grease	1
15	603 00 23-65	Subasm, Spindle, LH, Ext	1
16	603 00 00-70	Bushing, Flanged Bronze	1
17	603 00 00-88	Bushing, Bronze Spindle	1
18	N/A	Asm, Hub And Spindle, Right-Hand Ext (includes items 19 through 24)	1
19	N/A	Front Hub Assembly, Ball Bearing (includes items 20 and 21)	1
20	603 00 32-60	Lug Stud, 1/2-20 UNF, 4037 Stl	4
21	N/A	Hub, Front	1
22	603 00 32-58	Cap, Front Hub	1
23	603 00 32-59	Hex Nut, Locking Flange, M14x2	1
24	603 00 23-62	Asm, Spindle, RH, Ext (includes items 25 through 28)	1
25	603 00 02-64	Fitting, 1/4-28 Thread-Forming Grease	1
26	603 00 23-64	Subasm, Spindle, RH, Ext	1
27	603 00 00-70	Bushing, Flanged Bronze	1
28	603 00 00-88	Bushing, Bronze Spindle	1

5
G

5
G



000192-001

REAR SUSPENSION – VEHICLES WITH TWO-WHEEL BRAKES

ITEM	PART NO.	DESCRIPTION	QTY
		1 2 3 4	
1	603 00 01-04	Nut, 3/8-24 Hex	4
2	603 00 30-22	Kit, Shock Absorber Cushion (includes items 3 and 4)	4
3	N/A	Cushion, Shock Absorber	2
4	N/A	Retainer, Shock Absorber Cushion	2
5	603 00 01-36	Bushing, Steel	6
6	603 00 30-52	Shackle, Rear Spring	4
7	603 00 30-56	Shock Absorber Kit (includes items 8 through 10)	1
8	N/A	Cushion, Shock Absorber	8
9	N/A	Retainer, Shock Absorber Cushion	8
10	603 00 43-78	Shock Absorber Rear Prv Spd	2
11	603 00 30-76	Bumper Mount, Angled	2
12	603 00 02-33	Locknut, 7/16-14 Nylon Insert	4
13	603 00 30-77	Spring Retainer	2
14	603 00 30-78	Rear Leaf Spring	2
15	603 00 30-79	Spacer, Overload Bumper	2
16	603 00 30-80	U-Bolt	2
17	603 00 02-63	Bushing, Urethane	12
18	603 00 31-59	Bumper, Jounce	2
19	603 00 36-33	Bracket, Left-Hand	1
20	603 00 36-34	Bracket, Right	1
21	603 00 00-95	Locknut, 3/8-16 Hex	6
22	603 00 00-96	Screw, 3/8-16 X 3.375 Hex Cap	6

5
G

5

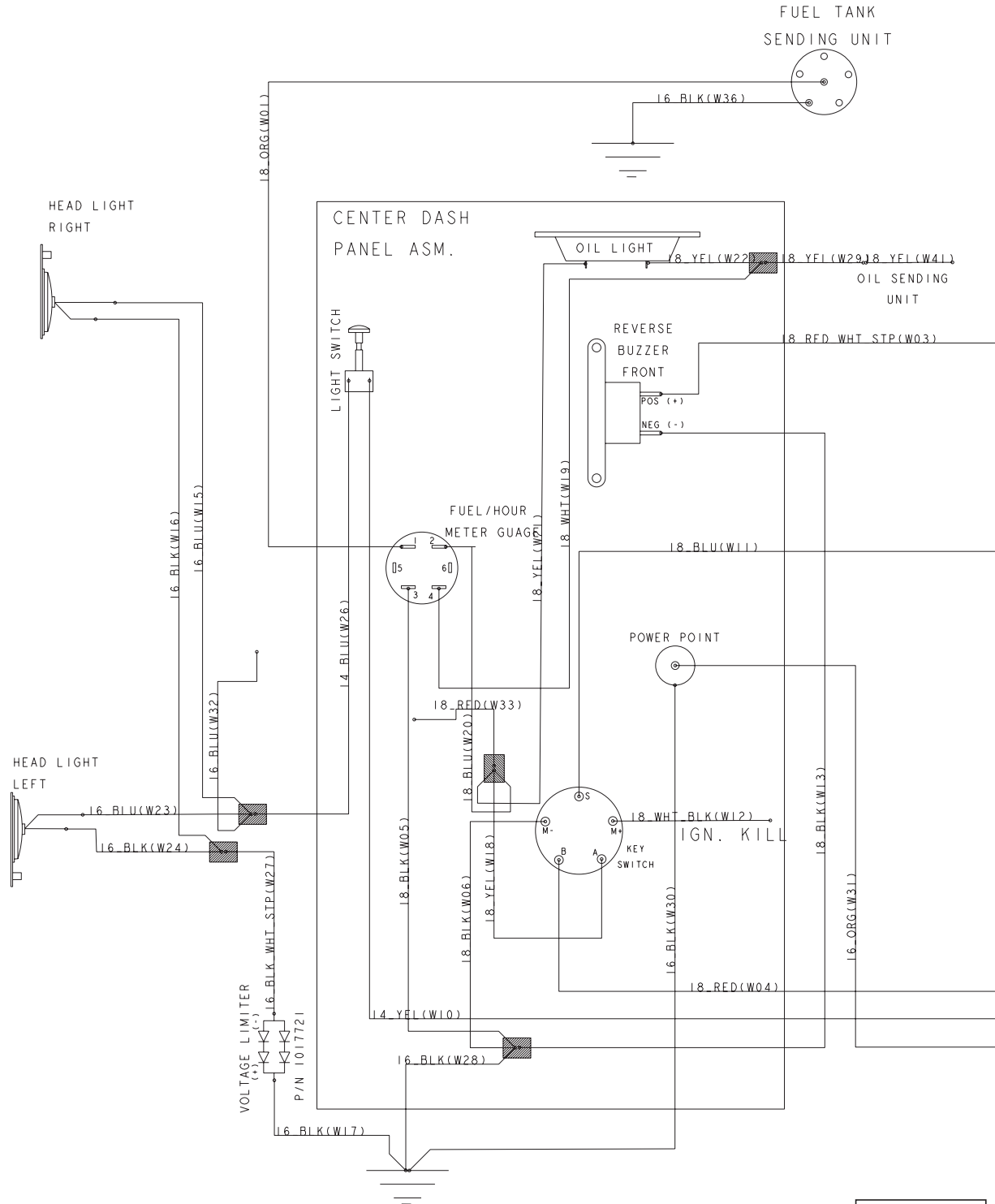
G

ELECTRICAL SYSTEM

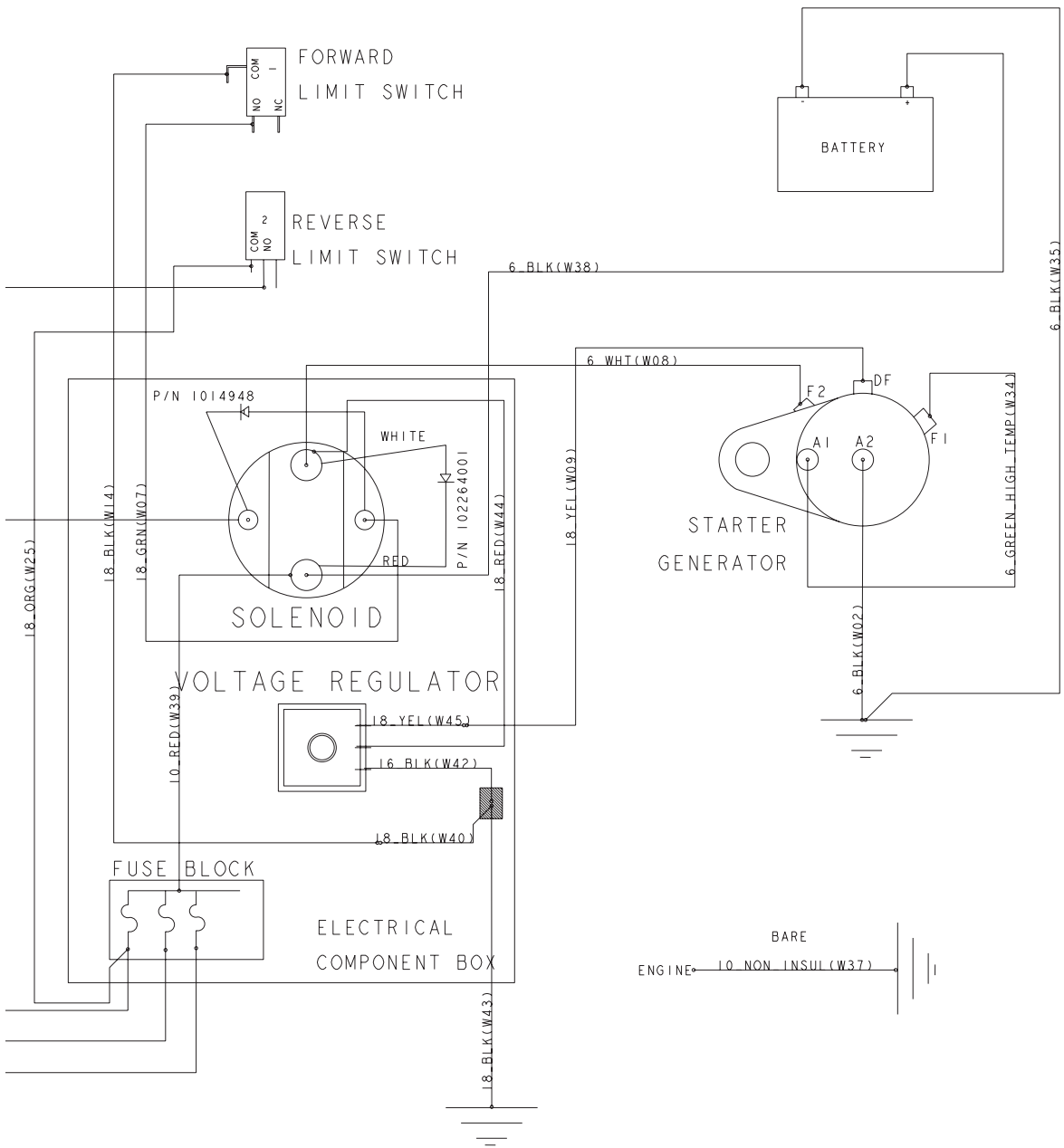
6

G

GASOLINE VEHICLE



000234-001



000234-001

6

G

See previous two pages for illustration.

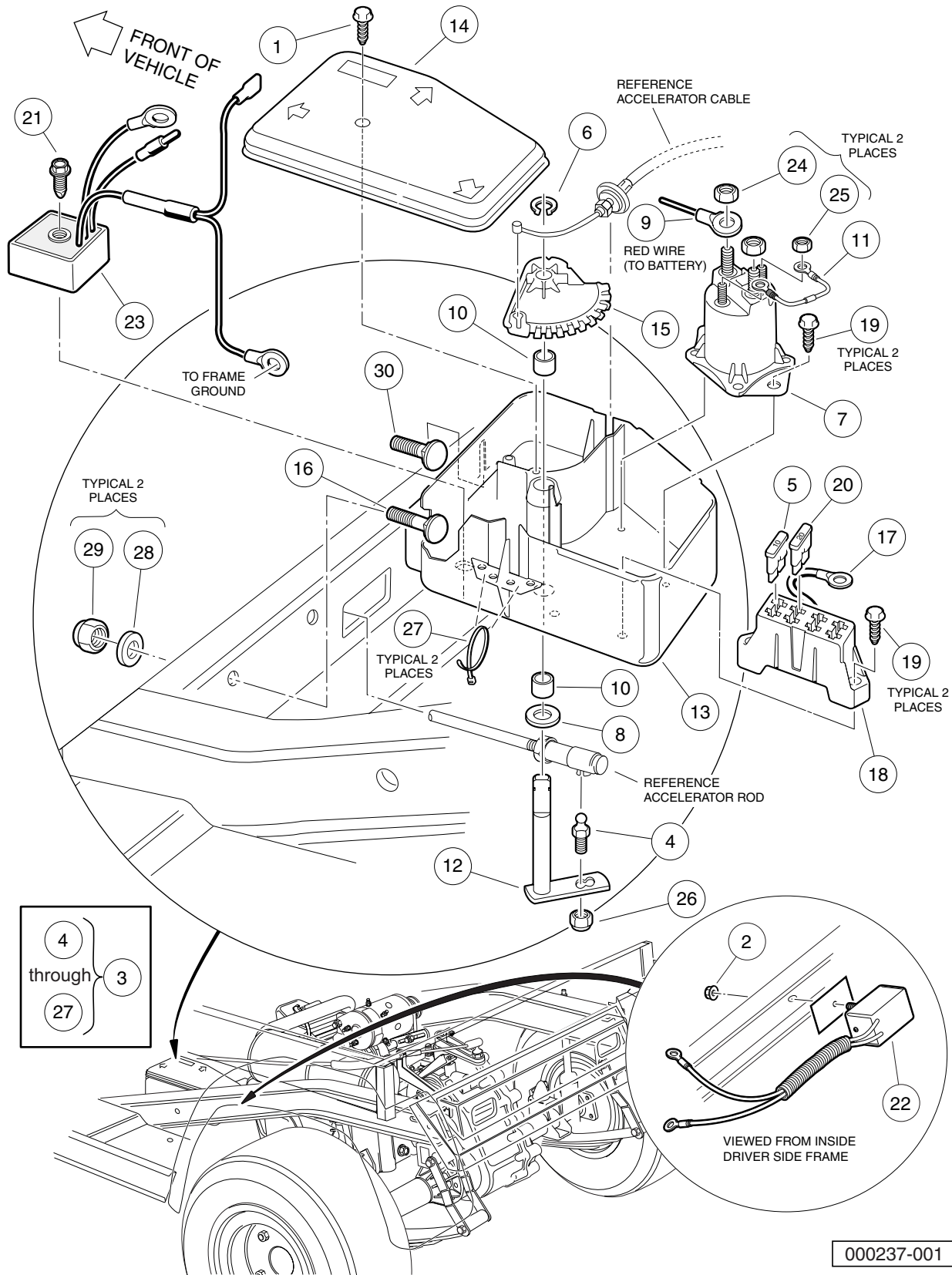
WIRING – GASOLINE VEHICLE

ITEM	PART NO.	DESCRIPTION	QTY
1	603 00 32-82	1 2 3 4 Wire Harness, Gasoline Vehicle	1

6

G

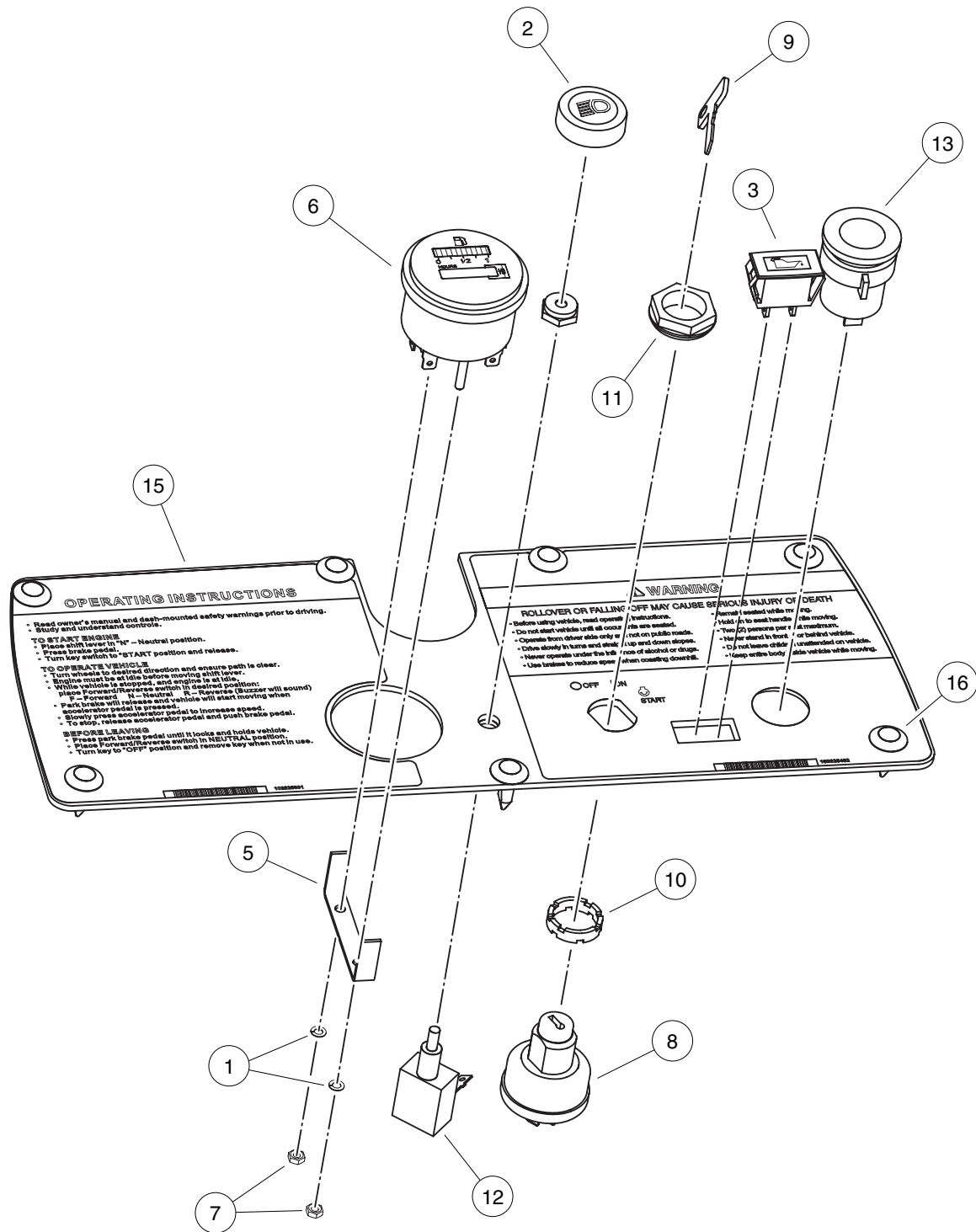
6
G



ELECTRICAL COMPONENT BOX – GASOLINE VEHICLE

ITEM	PART NO.	DESCRIPTION	QTY
		1 2 3 4	
1	603 00 02-68	Screw, #12-16 X 0.625 Hi-Lo	1
2	603 00 06-16	Locknut, 5/16-18 Hex Flange	1
3	N/A	Assembly, Electrical Component Box (includes items 4 through 27)	1
4	603 00 01-17	Stud, 1/4-28 X 0.560 Ball	1
5	603 00 01-35	Fuse, 10-Amp	1
6	603 00 01-77	Ring, 0.338" Internal Retaining	1
7	603 00 01-80	Solenoid, 12-Volt	1
8	603 00 02-04	Washer, 0.38" ID Delrin Flat	1
9	603 00 02-11	Wire Assembly #6 Red	1
10	603 00 02-15	Bushing, Secondary Weight, Split	2
11	603 00 02-38	Diode	1
12	603 00 02-49	Bell Crank and Shaft Assembly	1
13	603 00 02-51	Box, Electrical Component	1
14	603 00 02-52	Cover, Electric Box	1
15	603 00 02-53	Cam, Electric Box	1
16	603 00 02-57	Bolt, Carriage, 5/16-18 X 2.0	1
17	603 00 02-66	Wire Assy, #10 Red	1
18	603 00 02-67	Fuse Block	1
19	603 00 02-68	Screw, #12-16 X 0.625 Hi-Lo	4
20	603 00 02-93	Fuse, 20-Amp	1
21	603 00 05-26	Screw, 1/4-15 X 1.50 Hi-lo Hex	1
22	603 00 08-26	Diode Assembly	1
23	603 00 22-87	Voltage Regulator	1
24	603 00 00-66	Nut, 5/16-18 Hex	2
25	603 00 00-84	Nut, #10-32 Hex	2
26	603 00 00-94	Locknut, 1/4-28 Nylon Insert	1
27	603 00 29-63	Tie Wrap, 8" Nylon	2
28	603 00 00-65	Washer, 5/16 Type A Flat	2
29	603 00 00-78	Locknut, 5/16-18 Nylon Insert	2
30	603 00 00-82	Bolt, Carriage, 5/16-18 X 1.5	1

6
G

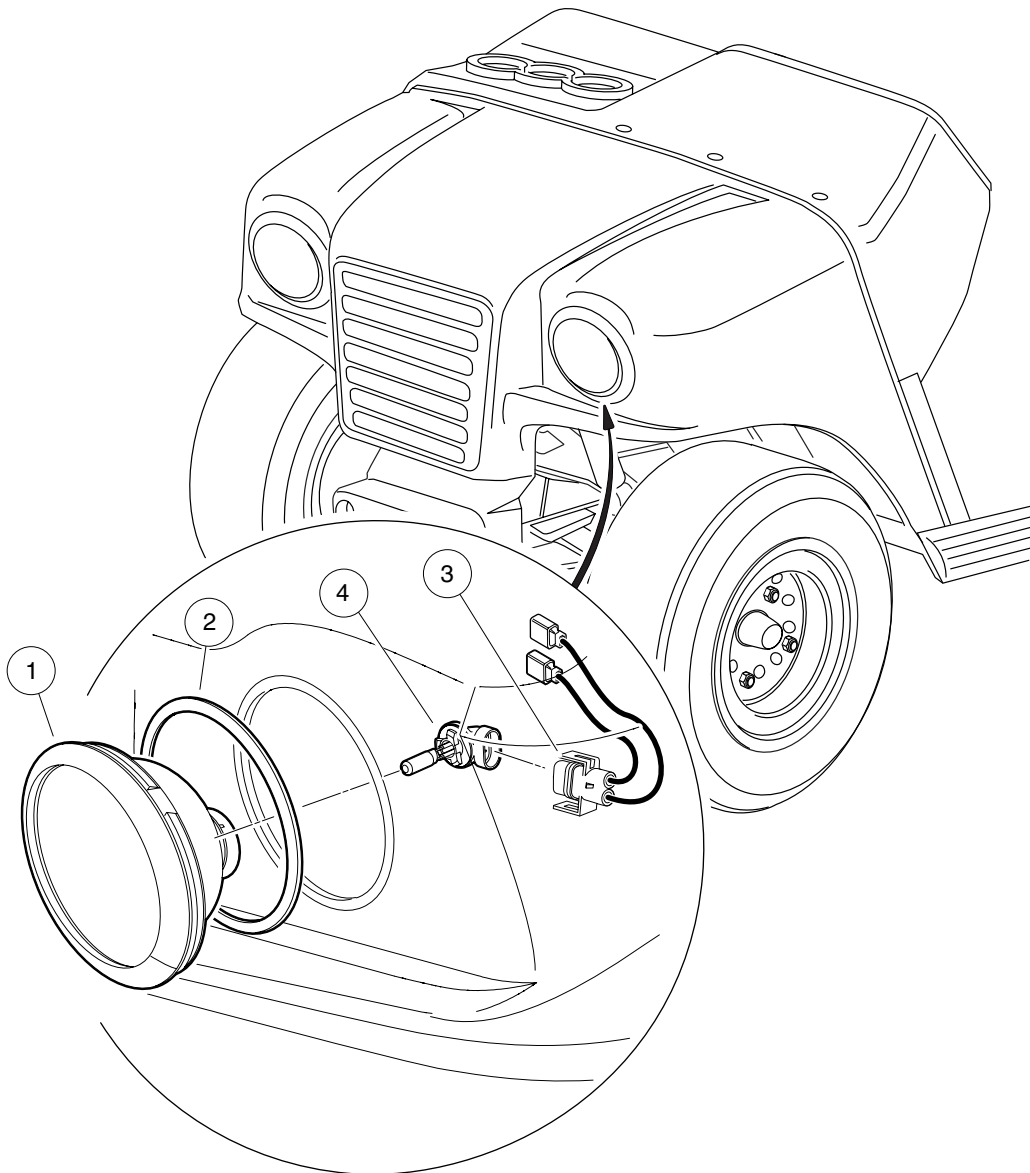


000232-001

ELECTRICAL COMPONENTS, FRONT BODY – GASOLINE VEHICLE

ITEM	PART NO.	DESCRIPTION	QTY
		1 2 3 4	
1	N/A	Lockwasher, M4	2
2	603 00 01-91	Knob, Light Switch	1
3	603 00 03-66	Light, Oil	1
4	603 00 26-19	Gauge, Fuel/Hour, with Bracket (includes items 5 and 6)	1
5	N/A	Bracket, Fuel Gauge/Hour Meter	1
6	N/A	Gauge, Fuel/Hour	1
7	603 00 06-33	Nut, M4-0.7	2
8	603 00 07-27	Key Switch 12v Key Start	1
9	603 00 07-28	Key Set	A/R
10	603 00 07-60	Spacer, Keyswitch	1
11	603 00 07-61	Nut, Key Switch	1
12	603 00 07-62	Switch, Light	1
13	603 00 08-01	Receptacle, Accessory	1
14	603 00 32-83	Panel, Instrument	1
15	603 00 32-84	Panel, Instrument (with 12-Volt Accessory Outlet Cutout)	1
16	603 00 06-95	Rivet, Removable, Tuflok 1/4"	7

6
G

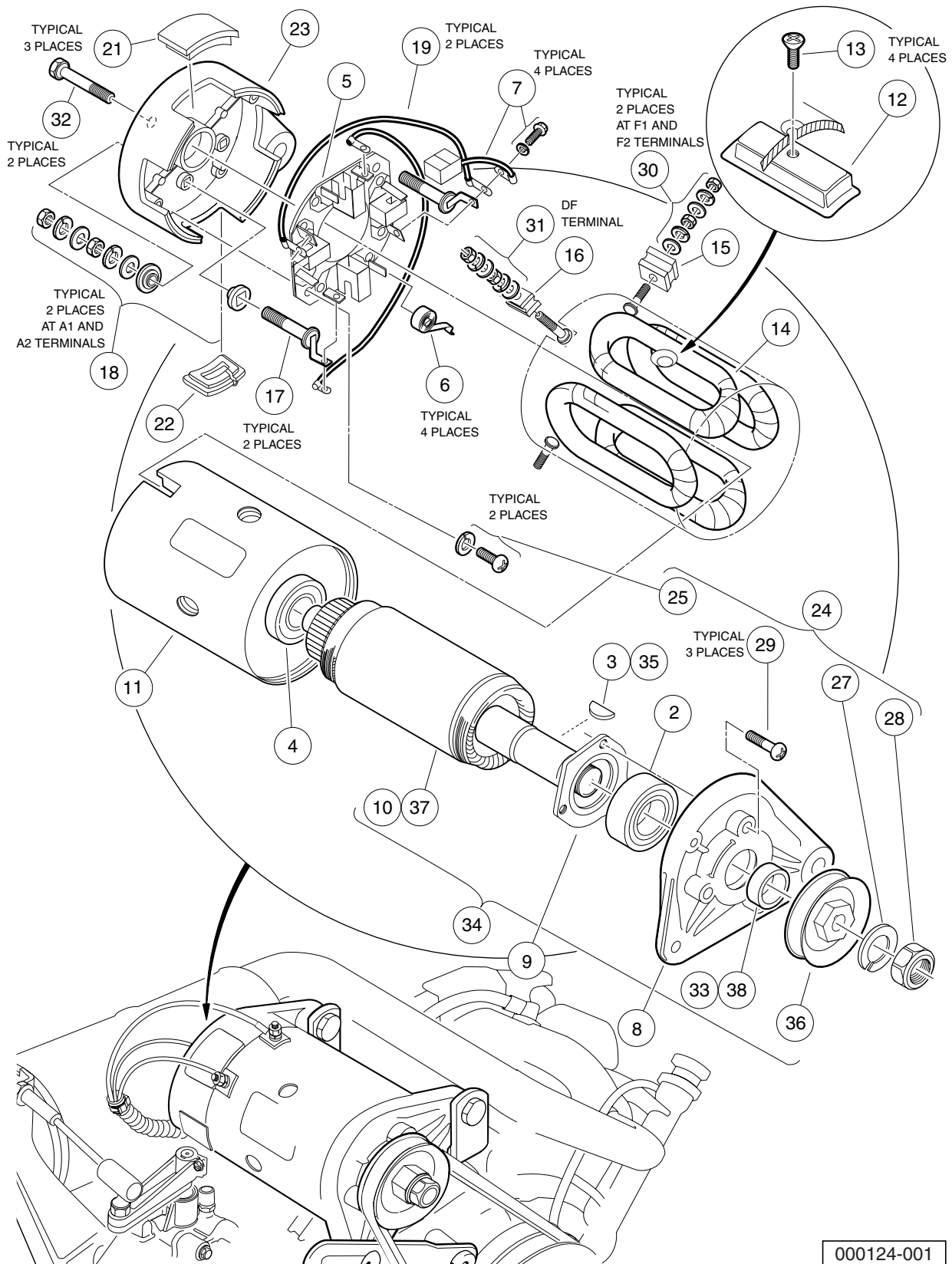


000230-001

HEADLIGHTS

ITEM	PART NO.	DESCRIPTION	QTY
		1 2 3 4	
1	603 00 16-77	Assembly, Headlight	2
2	603 00 17-98	Spacer, Headlight, Oval	2
3	603 00 17-99	Harness, Headlight	2
4	603 00 19-41	Bulb, Headlight, Oval	2

6
G



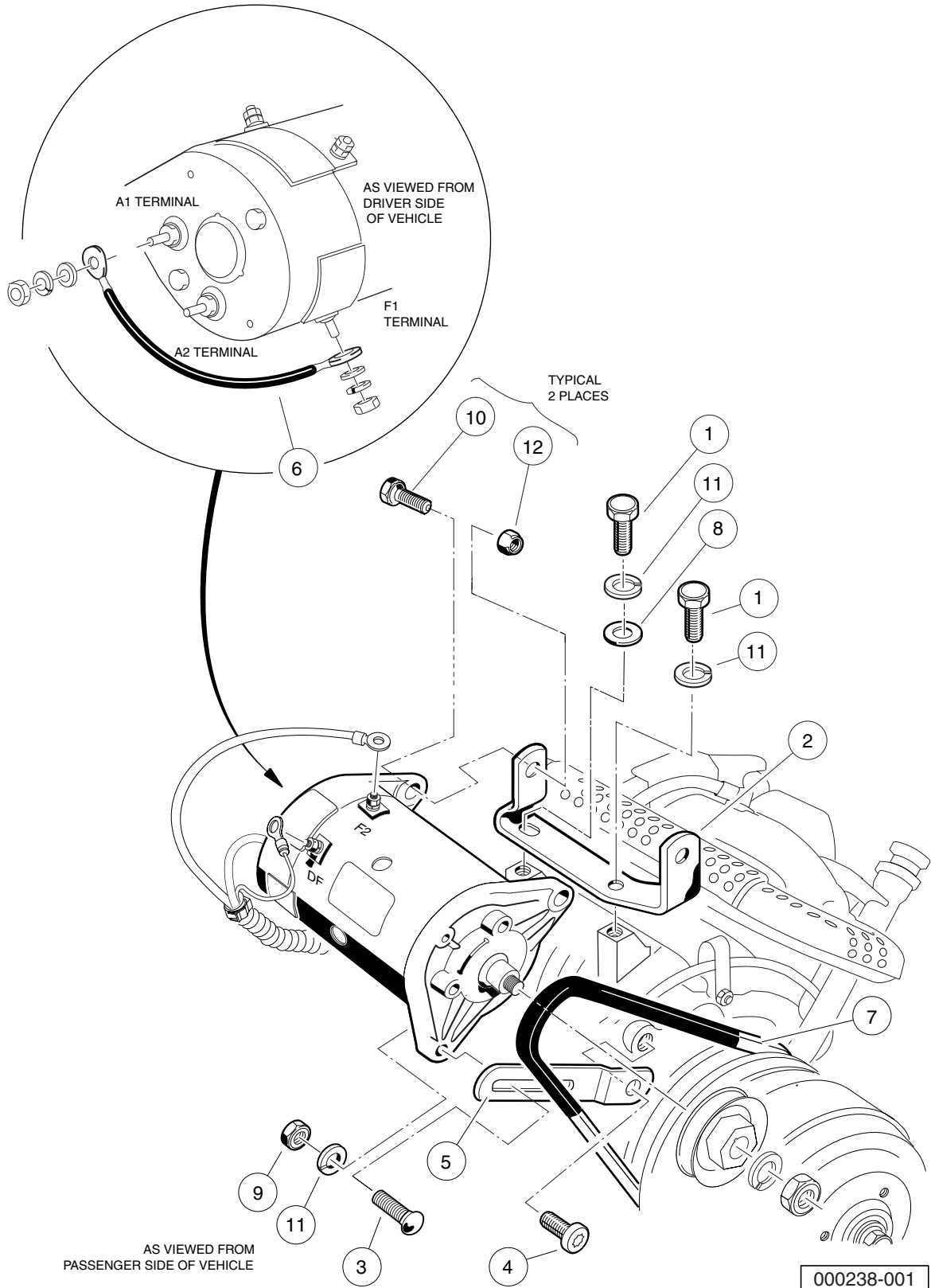
STARTER/GENERATOR ASSEMBLY MODEL G425419 – GASOLINE VEHICLES

ITEM	PART NO.	DESCRIPTION	QTY
		1 2 3 4	
1	603 00 05-16	Starter/Generator (cw) (includes items 2 through 33)	1
2	603 00 01-63	Bearing, Output Shaft Ball	1
3	603 00 01-64	Key, Starter/Generator	1
4	603 00 01-65	Bearing, Ball	1
5	603 00 04-56	Brush Holder Assembly (cw) (includes item 6)	1
6	603 00 05-47	Brush Spring Set	4
7	603 00 05-29	Brush and Screw Set (cw)	1
8	603 00 05-30	Front Bracket	1
9	603 00 05-31	Retainer	1
10	N/A	Armature	1
11	603 00 05-33	Field Coil Housing	1
12	603 00 05-34	Pole Set	1
13	603 00 05-35	Screw Set	1
14	603 00 05-36	Field Stator Coil Assembly	1
15	603 00 05-37	F Insulator Set	2
16	603 00 05-38	DF Insulator	1
17	603 00 05-39	A Connector (cw)	1
18	603 00 05-40	Screw and Mold Assembly	2
19	603 00 05-41	Brush Connector Assembly (cw)	2
20	603 00 05-42	Cover Set (includes items 21 and 22)	1
21	N/A	Brush Inspection Port Cover	3
22	N/A	Brush Port Cover w/Drain	1
23	603 00 05-43	Rear Bracket (cw)	1
24	603 00 05-44	Nut and Screw Set (includes items 25 through 29)	1
25	603 00 05-74	Brush Holder Asm Screw	2
26	N/A	Washer, M5 Flat	1
27	N/A	Washer, M14 Lock	1
28	N/A	Nut, Hex, M14 x 2	1
29	N/A	Screw, M5 x 0.8 x 18mm	3
30	603 00 05-45	Nut and Washer Set	2
31	603 00 05-46	Nut and Washer Set	1
32	603 00 05-48	Through Bolt Set	2
33	603 00 06-09	Spacer	1
34	603 00 05-32	Armature Asm Conversion Kit (includes items 35 through 38)	1
35	603 00 01-64	Key, Starter/Generator	1
36	603 00 02-21	Pulley, Starter/Generator	1
37	N/A	Armature	1
38	603 00 06-09	Spacer	1
Note: Item 36 will ONLY fit Model G425419 Starter/Generator.			

6

G

6
G

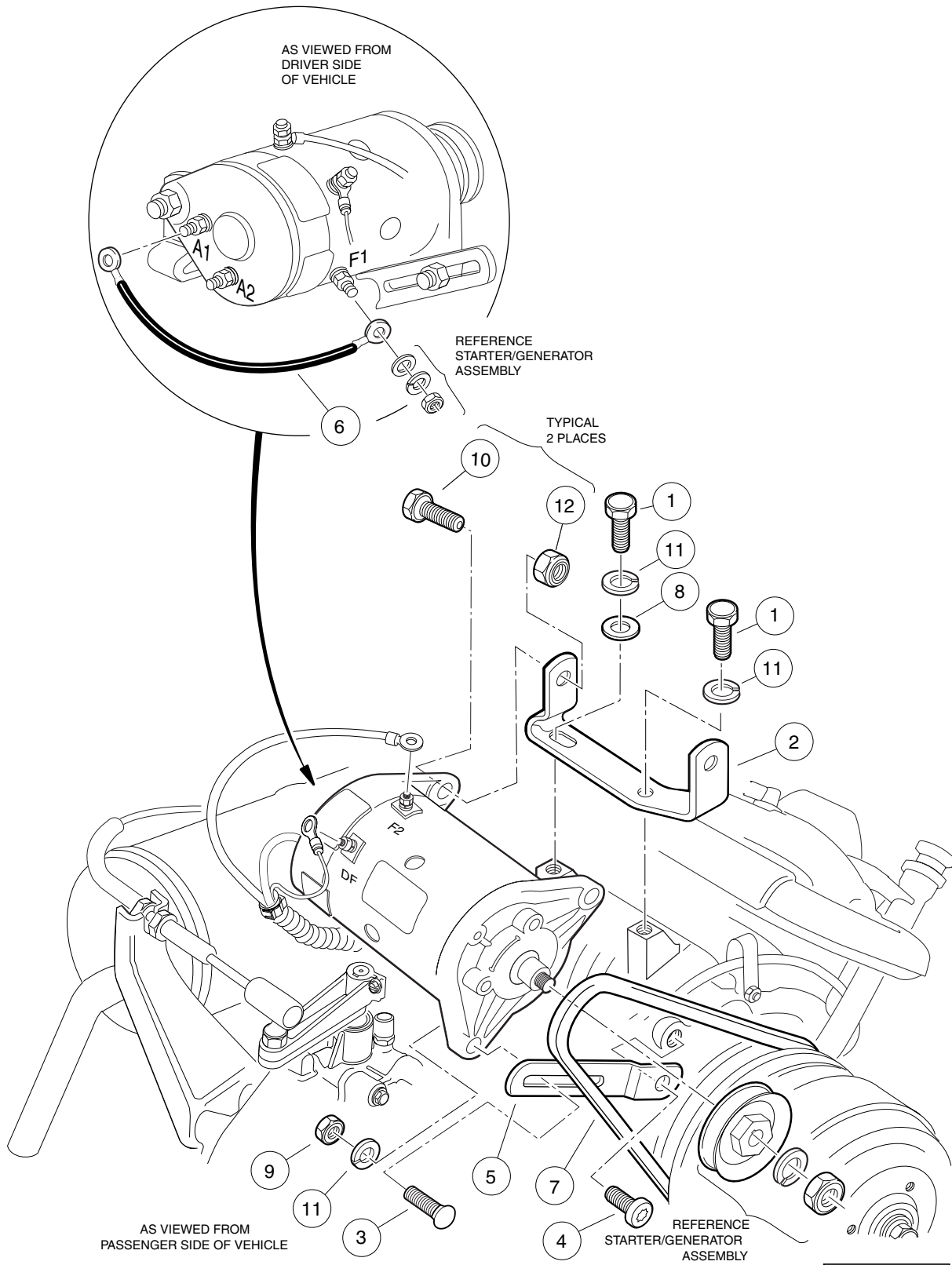


FE290 STARTER/GENERATOR MOUNTING – GASOLINE VEHICLE

ITEM	PART NO.	DESCRIPTION	QTY
		1 2 3 4	
1	603 00 05-79	Screw, M8-125 X 22 Hex-Head	2
2	603 00 30-82	Bracket, Starter/Generator Mounting (FE290)	1
3	603 00 02-73	Bolt, Carriage, 5/16-18	1
4	603 00 02-77	Screw, M8-1.25 X 18mm Torx	1
5	603 00 03-75	Bracket, Starter/Generator Adjustment	1
6	603 00 05-24	Wire Assy, #6 Green	1
7	603 00 05-89	V-Belt	1
8	603 00 00-65	Washer, 5/16 Type A Flat	1
9	603 00 00-66	Nut, 5/16-18 Hex	1
10	603 00 00-59	Screw, Cap-hex Hd 3/8-16x1.25	2
11	603 00 00-72	Lockwasher, 5/16 Split	3
12	603 00 00-95	Locknut, 3/8-16 Hex	2

6
G

6
G



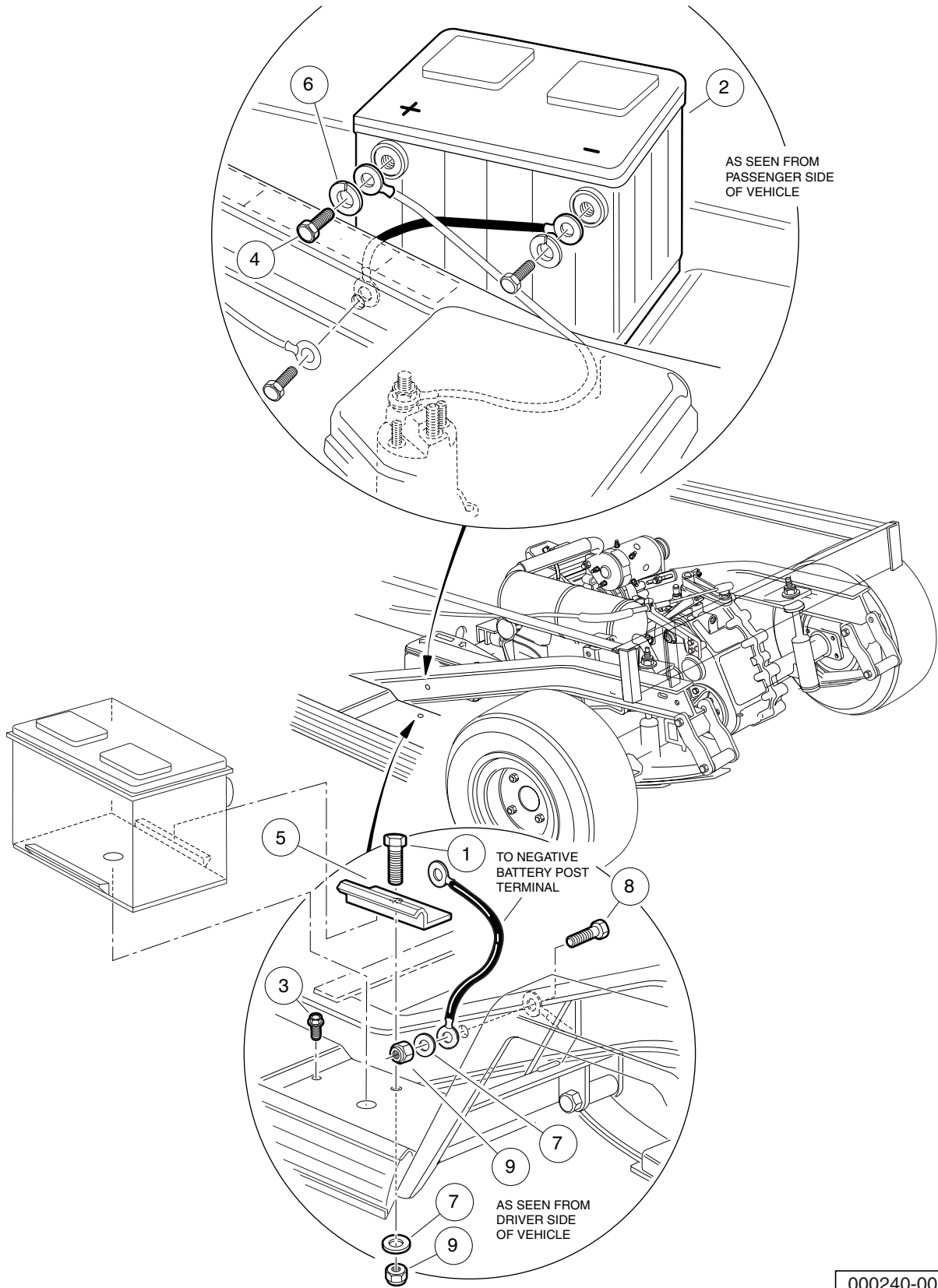
000239-001

FE350 STARTER/GENERATOR MOUNTING – GASOLINE VEHICLES

ITEM	PART NO.	DESCRIPTION	QTY
		1 2 3 4	
1	603 00 05-79	Screw, M8-125 X 22 Hex-Head	2
2	603 00 04-59	Bracket, Starter/Generator Mounting	1
3	603 00 02-73	Bolt, Carriage, 5/16-18	1
4	603 00 02-77	Screw, M8-1.25 X 18mm Torx	1
5	603 00 03-75	Bracket, Starter/Generator Adjustment	1
6	603 00 05-24	Wire Assy, #6 Green	1
7	603 00 05-89	V-Belt	1
8	603 00 00-65	Washer, 5/16 Type A Flat	1
9	603 00 00-66	Nut, 5/16-18 Hex	1
10	603 00 00-59	Screw, Cap-hex Hd 3/8-16x1.25	2
11	603 00 00-72	Lockwasher, 5/16 Split	3
12	603 00 00-95	Locknut, 3/8-16 Hex	2

6
G

6
G



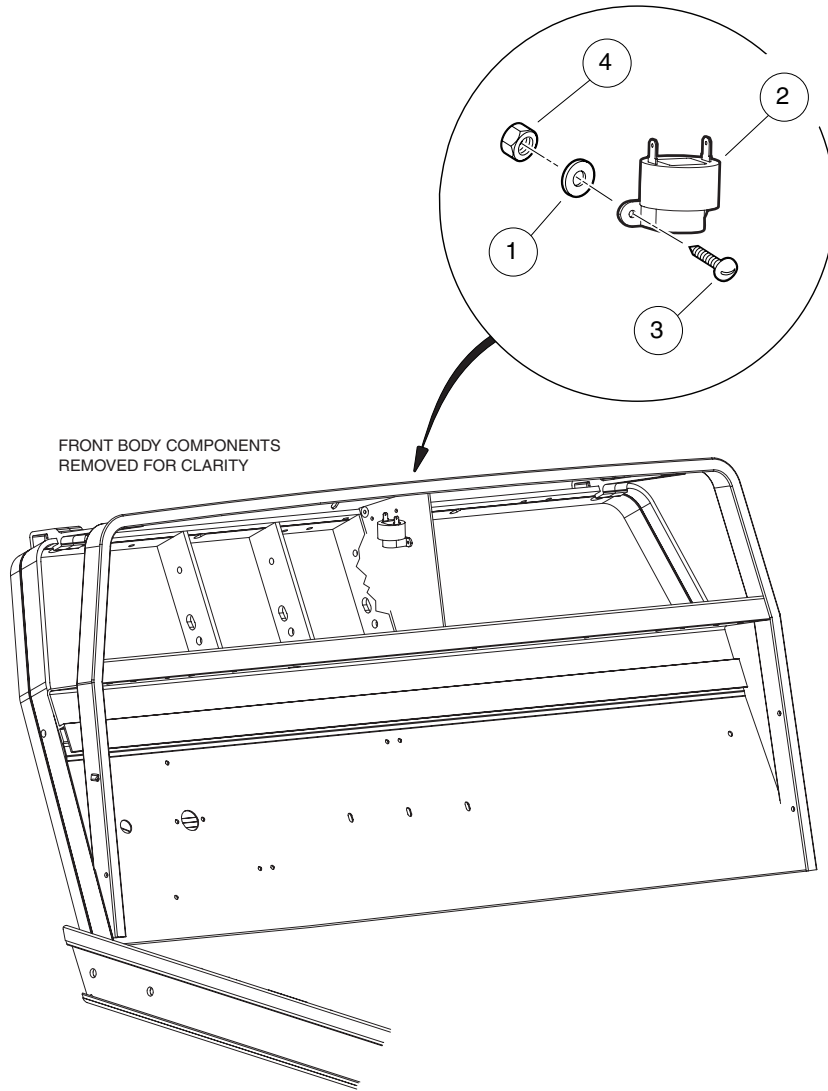
000240-001

BATTERY – GASOLINE VEHICLE

ITEM	PART NO.	DESCRIPTION	QTY
		1 2 3 4	
1	603 00 01-16	Screw, 5/16-18 X 1.00 Hex Cap	1
2	603 00 00-02	Battery, 12-Volt	1
3	603 00 02-20	Screw, 5/16-18 X 0.75 Thread-Forming	1
4	603 00 02-24	Screw, 3/8-16 X 0.50 Stainless Steel Hex-Head	2
5	603 00 05-76	Clamp, Battery	1
6	603 00 08-90	Lockwasher, 3/8 Stainless Stl	2
7	603 00 00-65	Washer, 5/16 Type A Flat	2
8	603 00 00-71	Screw, 5/16-18 X 0.75 Hex-Head Cap	1
9	603 00 00-78	Locknut, 5/16-18 Nylon Insert	2

6

G



000363-001

REVERSE BUZZER

ITEM	PART NO.	DESCRIPTION	QTY
		1 2 3 4	
1	603 00 01-40	Washer, #4 Flat	1
2	603 00 03-71	Buzzer, Reverse (9-48 VDC)	1
3	603 00 23-49	Screw, #4-40 X 0.75 Round-Head Machine	1
4	603 00 00-86	Nut, #4-40 Hex Machine	1

6

G

6

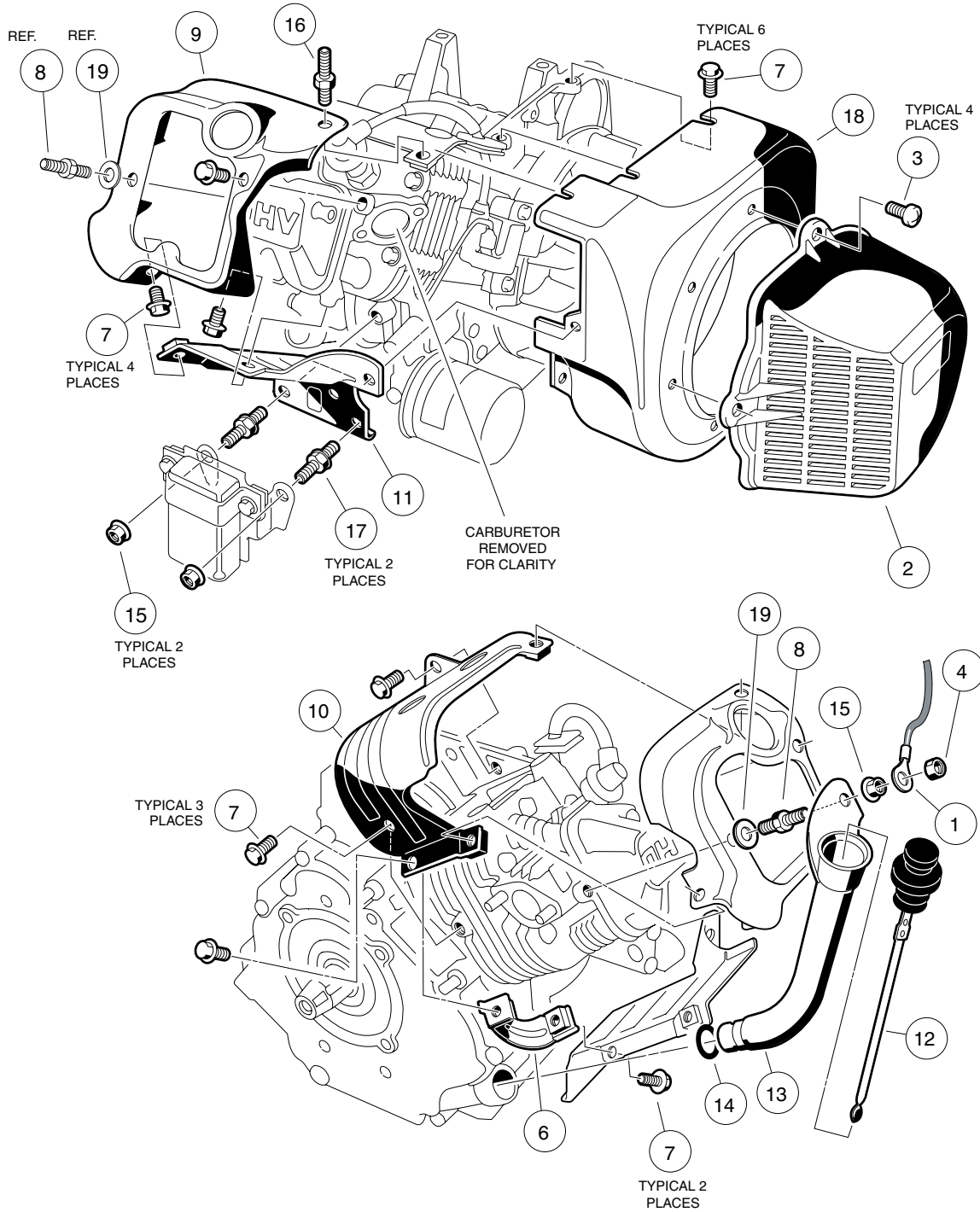
G

FE290 ENGINE

7

G

FE290 ENGINE



000194-001

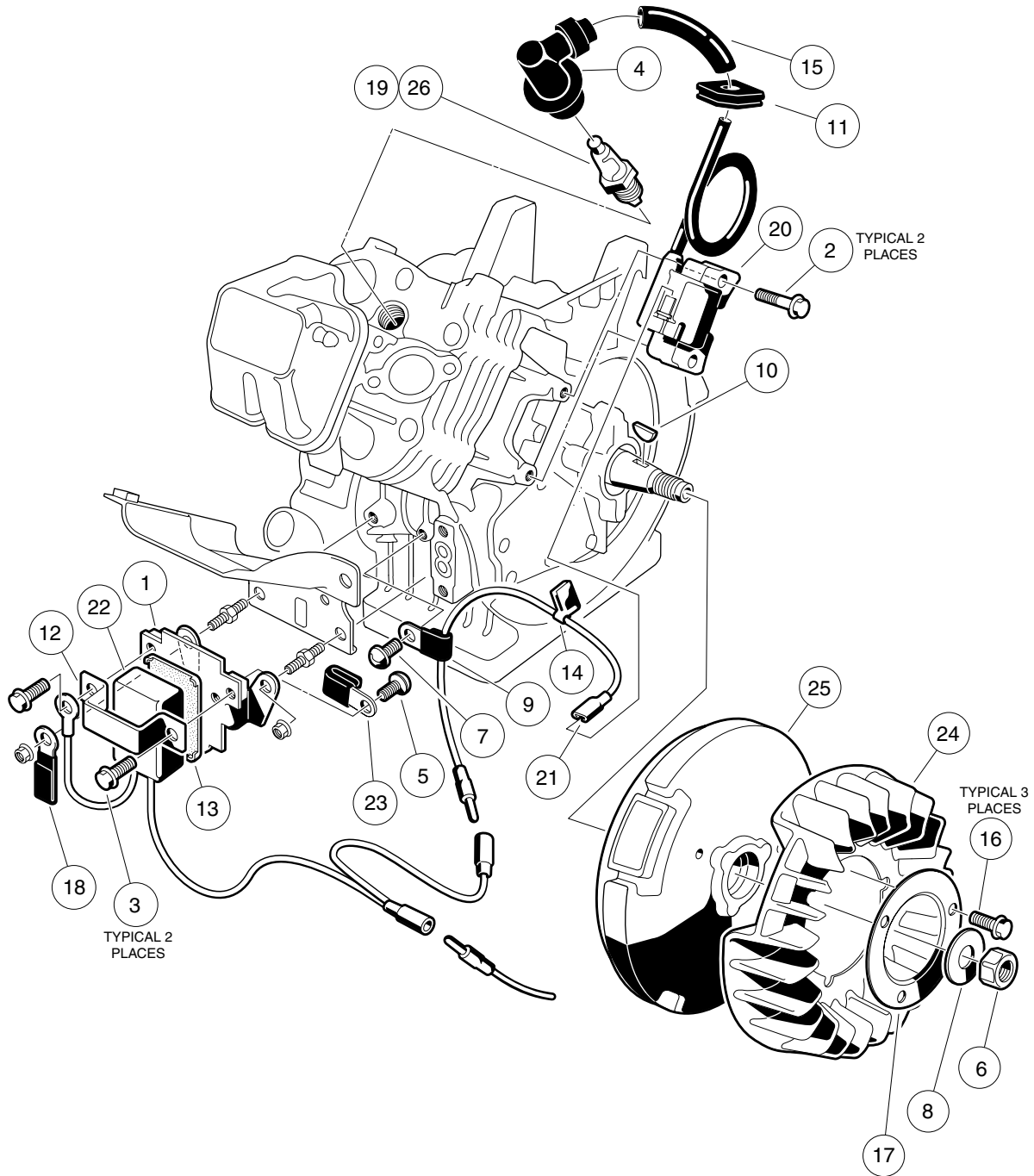
FE290 ENGINE – SHROUDS AND BRACKETS

ITEM	PART NO.	DESCRIPTION	QTY
		1 2 3 4	
1	603 00 02-47	Wire Assembly, #10, Uninsulated	1
2	603 00 02-65	Shroud, Fan	1
3	603 00 02-74	Screw, M6-1.00 X 10mm Pan Hd	4
4	603 00 05-58	Locknut, M6-1.00 Nylon Insert	1
5	603 00 32-39	Engine, FE290 (cw) * (includes items 6 through 19)	1
6	603 00 31-01	Bracket	1
7	603 00 03-09	Bolt, Flange Head, M6 x 1 x 12 mm	15
8	603 00 03-28	Bolt, Two-Ended	1
9	603 00 31-27	Shroud, Engine, FE290D	1
10	603 00 31-28	Shroud, Engine, FE290D	1
11	603 00 31-29	Shroud, Engine, FE290D	1
12	603 00 03-33	Dipstick	1
13	603 00 31-32	Tube, Oil Filler, FE290D	1
14	603 00 03-37	O-Ring	1
15	603 00 03-41	Nut	3
16	603 00 31-58	Screw, M6-1.00 Stud	1
17	603 00 32-20	Stud, M6-1.00, Two-Ended	2
18	603 00 32-26	Housing, FE290 Fan	1
19	N/A	Washer, 6 mm Flat	1
* Note: FE290 engine component listings span several pages.			

7

G

FE290 ENGINE



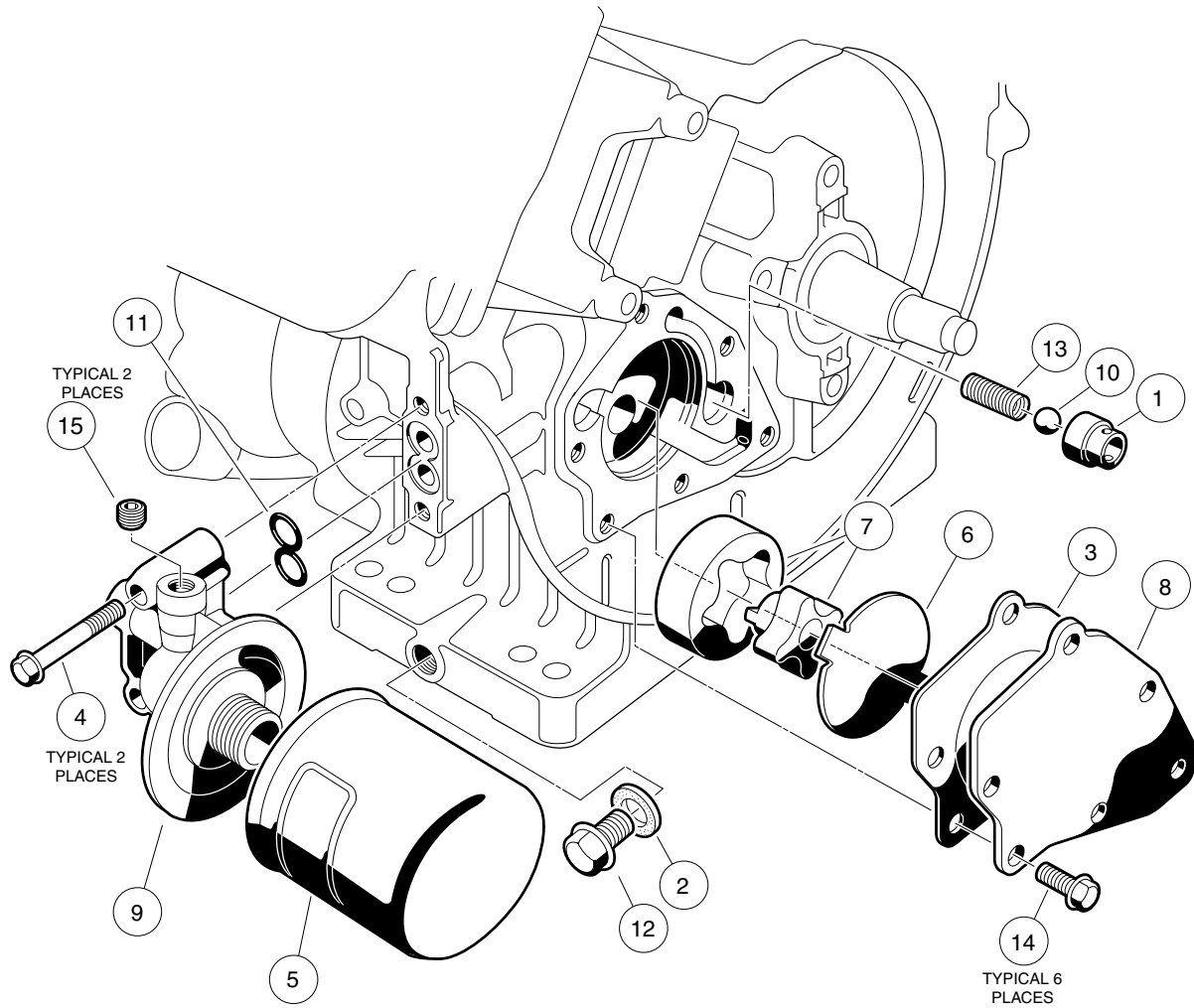
000195-001

FE290 ENGINE – IGNITION COMPONENTS AND FLYWHEEL

ITEM	PART NO.	DESCRIPTION	QTY
		1 2 3 4	
1	603 00 03-03	Bracket, RPM Limiter	1
2	603 00 03-08	Bolt, Flange Head	2
3	603 00 03-09	Bolt, Flange Head, M6 x 1 x 12 mm	2
4	603 00 31-19	Cap, Spark Plug	1
5	603 00 03-23	Screw, Pan WP Cross	1
6	603 00 31-20	Nut, Hex, Fine	1
7	603 00 03-39	Screw	1
8	603 00 31-35	Washer, M16 Flat	1
9	603 00 03-44	Clamp	1
10	603 00 03-45	Key	1
11	603 00 03-55	Grommet	1
12	603 00 03-56	Band, RPM Limiter Mount	1
13	603 00 03-62	Damper, RPM Limiter	1
14	603 00 03-63	Clamp	1
15	603 00 03-64	Tube, 7mm X 10mm X 70mm	1
16	603 00 04-02	Bolt, Flanged	3
17	603 00 04-05	Plate, Flywheel Fan	1
18	603 00 43-79	Clamp	1
19	603 00 00-07	Spark Plug, OHV (Autolite)	1
20	603 00 05-81	Coil, Ignition	1
21	603 00 05-82	Lead Wire Assy	1
22	603 00 05-83	Limiter, RPM	1
23	N/A	Clamp, Steel	1
24	603 00 32-28	Fan, FE290 (cw)	1
25	603 00 44-82	Flywheel, Complete	1
26	603 00 05-80	Spark Plug, OHV (NGK)	1

7
G

FE290 ENGINE



000196-001

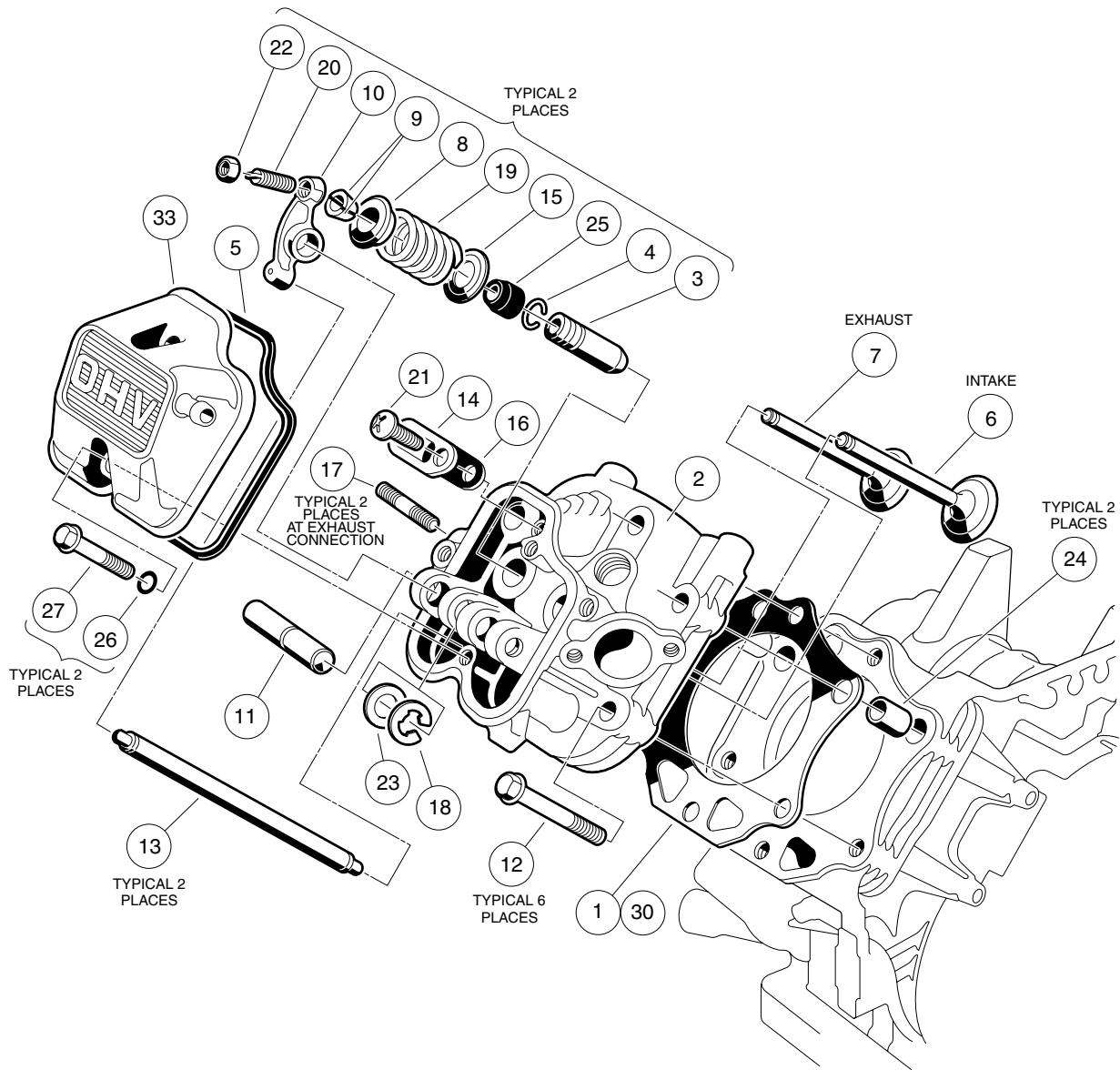
FE290 ENGINE – OIL CIRCULATION

ITEM	PART NO.	DESCRIPTION	QTY
		1 2 3 4	
1	603 00 02-94	Seat, Value Oil Press Relief	1
2	603 00 02-95	Gasket, Drain Plug	1
3	603 00 30-99	Gasket, Oil Pump	1
4	603 00 03-10	Bolt, Flange Head	2
5	603 00 00-06	Filter, Oil	1
6	603 00 03-14	Plate, Oil Pump	1
7	603 00 04-71	Oil Pump And Rotor	1
8	603 00 31-18	Cover, Pump	1
9	603 00 03-26	Bracket, Oil Filter Mount	1
10	603 00 03-35	Ball, Steel, Press, Relief	1
11	603 00 03-50	O-Ring	1
12	603 00 03-54	Plug, Drain	1
13	603 00 03-57	Spring	1
14	603 00 04-06	Bolt, Flanged	6
15	603 00 04-24	Plug	2

7

G

FE290 ENGINE



000197-001

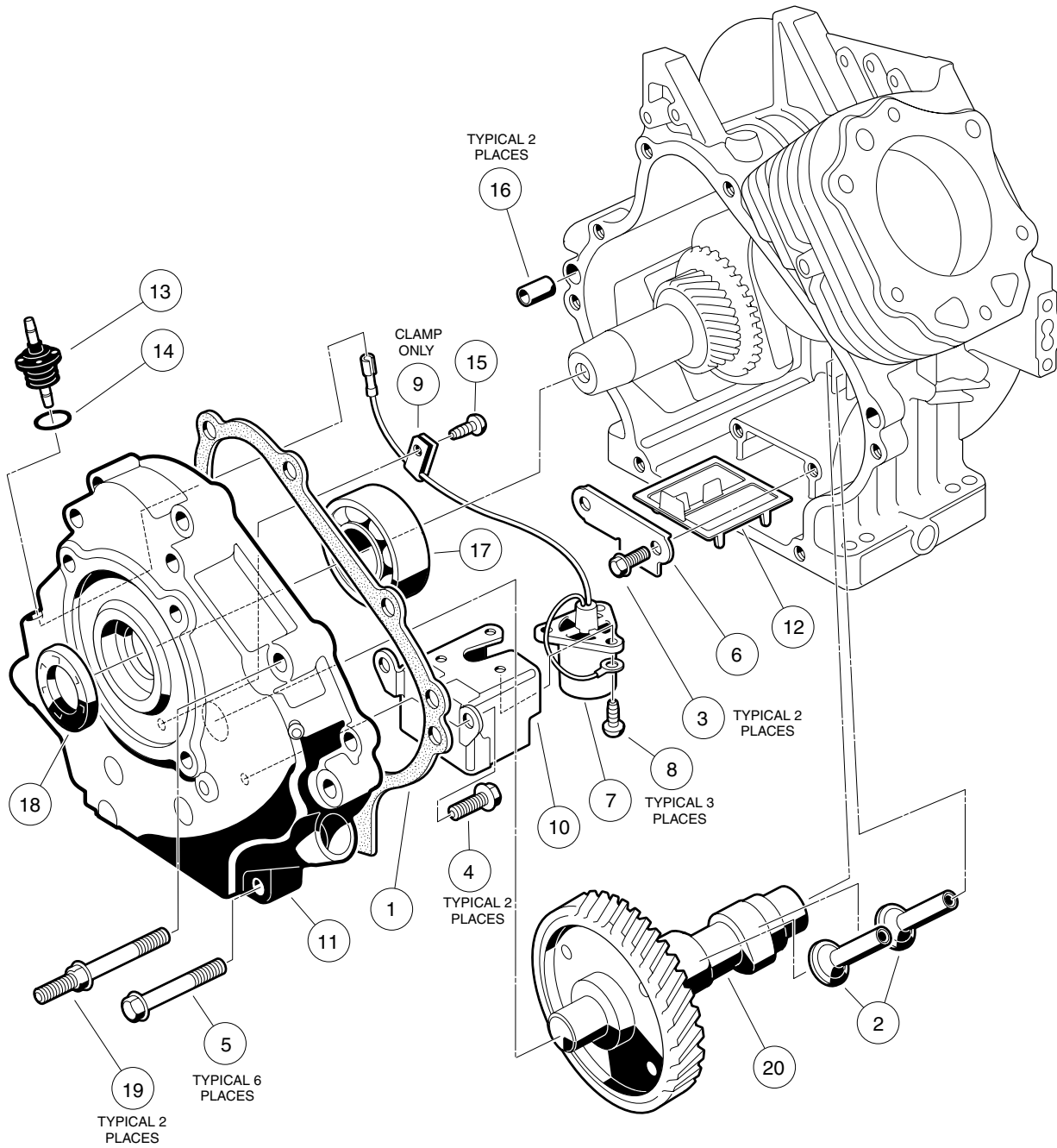
FE290 ENGINE – CYLINDER HEAD

ITEM	PART NO.	DESCRIPTION	QTY
		1 2 3 4	
1	603 00 30-97	Gasket, Head, FE290	1
2	603 00 30-98	Head Assembly, FE290 Cylinder (includes items 3 and 4)	1
3	603 00 03-31	Guide, Valve, Intake	2
4	603 00 03-43	Snap Ring	2
5	603 00 02-96	Gasket, Rocker Case	1
6	603 00 31-03	Valve, Intake	1
7	603 00 31-04	Valve, Exhaust	1
8	603 00 03-04	Retainer, Valve Spring	2
9	603 00 03-05	Collet	4
10	N/A	Arm, Rocker	2
11	603 00 03-06	Shaft, Rocker	1
12	603 00 03-11	Bolt, Flange Head, M8 x 1.25 x 45 mm	6
13	603 00 31-15	Rod, Push	2
14	603 00 03-15	Plate	1
15	603 00 03-16	Seat, Spring	2
16	603 00 03-18	Valve	1
17	603 00 03-20	Stud, Two-Ended, M8-1.25	2
18	603 00 03-30	Circlip, Type-E	1
19	603 00 31-26	Spring, Engine Valve	2
20	603 00 31-33	Screw	2
21	603 00 03-39	Screw	1
22	603 00 31-34	Nut	2
23	603 00 03-42	Washer, 12.1x19x1.8	1
24	603 00 03-46	Pin	2
25	603 00 03-48	Seal, Oil	2
26	603 00 03-49	O-Ring	2
27	603 00 03-59	Bolt, 6x35	2
28	603 00 32-55	Kit, Gasket, FE290 (includes items 29 through 32)	1
29	603 00 30-83	Gasket, Exhaust	1
30	603 00 30-97	Gasket, Head, FE290	1
31	603 00 02-99	Gasket, Engine to Insulator	1
32	603 00 31-02	Gasket, Crankcase Cover	1
33	603 00 03-01	Case, Rocker -w/o Logo Fe290	1

7

G

FE290 ENGINE



000198-001

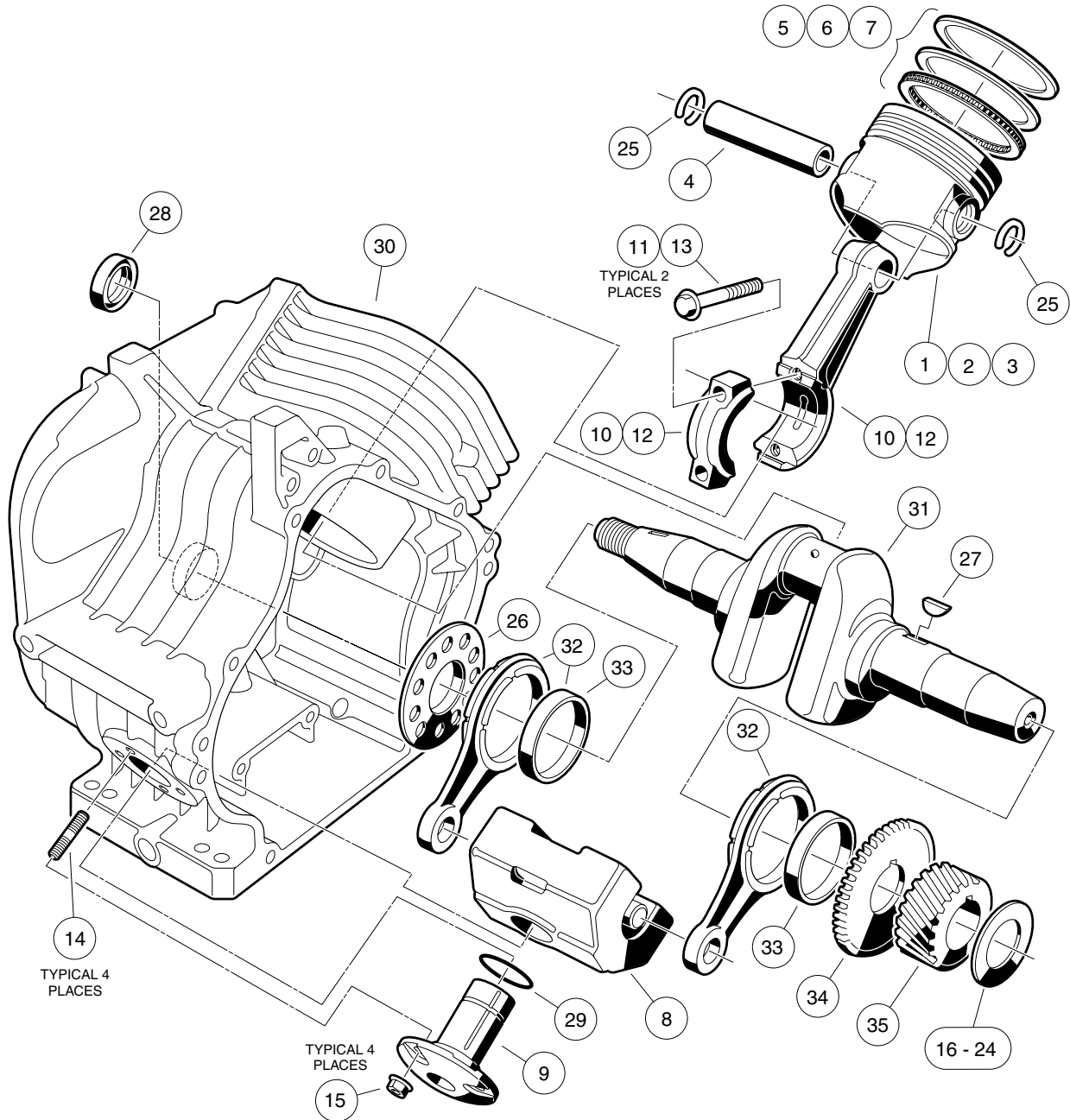
FE290 ENGINE – CRANKCASE, CAMSHAFT, AND OIL SENSOR

ITEM	PART NO.	DESCRIPTION	QTY
		1 2 3 4	
1	603 00 31-02	Gasket, Crankcase Cover	1
2	603 00 31-06	Tappet	2
3	603 00 03-07	Bolt, Flange Head, M5 x 0.8 x 8 mm	2
4	603 00 03-09	Bolt, Flange Head, M6 x 1 x 12 mm	2
5	603 00 03-11	Bolt, Flange Head, M8 x 1.25 x 45 mm	6
6	603 00 03-13	Plate, Oil Filter Screen	1
7	603 00 03-21	Sensor, Oil Level	1
8	603 00 03-22	Screw, Cross Pan-Head, M4 x 0.7 x 8 mm	3
9	603 00 03-27	Clamp	1
10	603 00 31-22	Bracket, Switch, Oil Level	1
11	603 00 31-25	Cover, Crankcase	1
12	603 00 03-32	Screen, Oil Filter	1
13	603 00 03-34	Connector, Cord	1
14	603 00 03-36	O-Ring	1
15	603 00 03-39	Screw	1
16	603 00 03-47	Pin	2
17	603 00 31-47	Bearing, Ball	1
18	603 00 31-48	Seal, Crankshaft	1
19	603 00 03-60	Bolt, Two-Ended, M8 x 1.25 x 69 mm	2
20	603 00 32-24	Camshaft Complete, FE290	1

7

G

FE290 ENGINE



000199-001

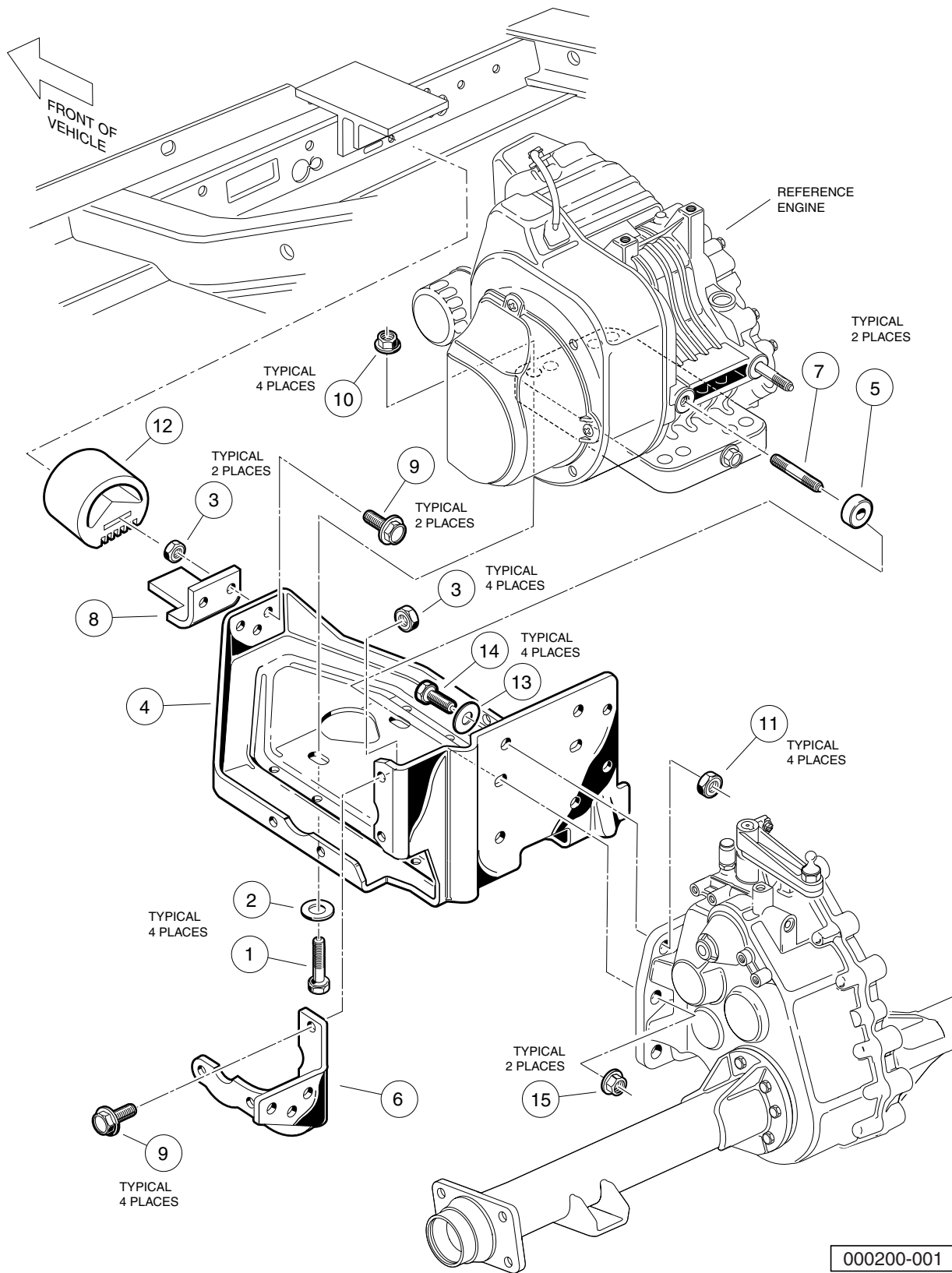
FE290 ENGINE – CRANKCASE AND CRANKSHAFT

ITEM	PART NO.	DESCRIPTION	QTY
		1 2 3 4	
1	603 00 31-07	Piston	1
2	603 00 31-08	Piston, Engine 0.25 mm Over	1
3	603 00 31-09	Piston, Engine 0.50 mm Over	1
4	603 00 31-10	Pin, Piston	1
5	603 00 31-11	Ring Set, Piston	1
6	603 00 31-12	Ring Set, Piston 0.25 mm Over	1
7	603 00 31-13	Ring Set, Piston 0.50 mm Over	1
8	603 00 31-14	Weight, Counterbalance	1
9	603 00 03-12	Shaft, Guide, Counterbalance	1
10	603 00 31-16	Rod Assembly (includes item 11)	1
11	603 00 31-21	Bolt	2
12	603 00 31-17	Rod Assembly, Connecting 0.50 mm Under (includes item 13)	1
13	603 00 31-21	Bolt	2
14	603 00 03-38	Stud, 6x14	4
15	603 00 03-41	Nut	4
16	603 00 31-36	Shim, Crankshaft T=1.13	A/R
17	603 00 31-37	Shim, Crankshaft T=1.18	A/R
18	603 00 31-38	Shim, Crankshaft T=1.23	A/R
19	603 00 31-39	Shim, Crankshaft T=1.28	A/R
20	603 00 31-40	Shim, Crankshaft T=1.33	A/R
21	603 00 31-41	Shim, Crankshaft T=1.38	A/R
22	603 00 31-42	Shim, Crankshaft T=1.43	A/R
23	603 00 31-43	Shim, Crankshaft T=1.48	A/R
24	603 00 31-44	Shim, Crankshaft T=1.53	A/R
25	603 00 31-45	Ring, Snap	2
26	603 00 31-46	Spacer	1
27	603 00 03-45	Key	1
28	603 00 31-49	Seal, Oil	1
29	603 00 03-51	O-Ring	1
30	603 00 32-25	Crankcase Complete, FE290 (cw)	1
31	603 00 32-32	Crankshaft, FE290 Left-Hand Thread (includes items 32 through 35)	1
32	603 00 31-23	Rod (includes item 33)	2
33	603 00 31-50	Bearing, Plane	1
34	603 00 31-30	Gear, Spur	1
35	603 00 31-31	Gear, Helical	1

7

G

7
G



FE290 ENGINE MOUNTING

ITEM	PART NO.	DESCRIPTION	QTY
		1 2 3 4	
1	603 00 01-11	Bolt, Hex-Head, 5/16-18 X 1.50	4
2	603 00 01-45	Washer, 5/16 Extra Thick Flat	4
3	603 00 01-93	Nut, 5/16-24 Hex Head Cone	6
4	603 00 05-05	Plate, Engine Mounting	1
5	603 00 05-07	Spacer, Powdered Metal	2
6	603 00 05-11	Stiffener (Flywheel Side)	1
7	603 00 05-14	Stud, M8-1.25 X 60mm Two-Ended	2
8	603 00 05-19	Snubber Bracket	1
9	603 00 05-56	Screw, 5/16-24 X 0.875 Grade-8	6
10	603 00 06-16	Locknut, 5/16-18 Hex Flange	4
11	603 00 07-80	Locknut, 3/8-16 Flanged Dimple	4
12	603 00 01-33	Inner Frame Snubber	1
13	603 00 00-55	Washer, 3/8 Type A Flat	4
14	603 00 00-59	Screw, Cap-hex Hd 3/8-16x1.25	4
15	603 00 05-12	Nut Flg, M8 X 1.25 Serrated	2

7

G

7

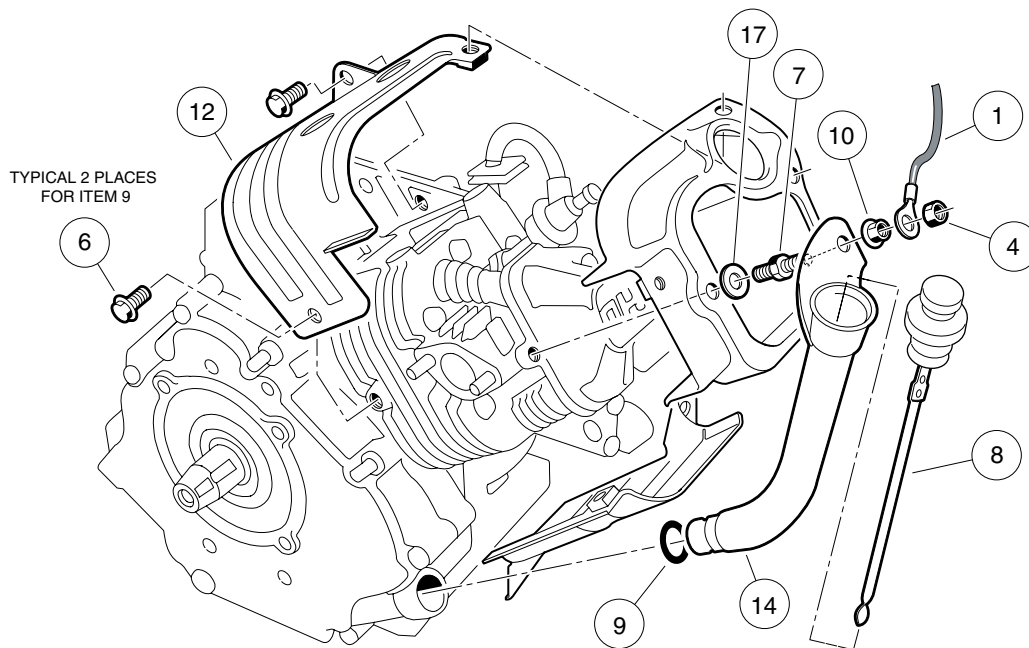
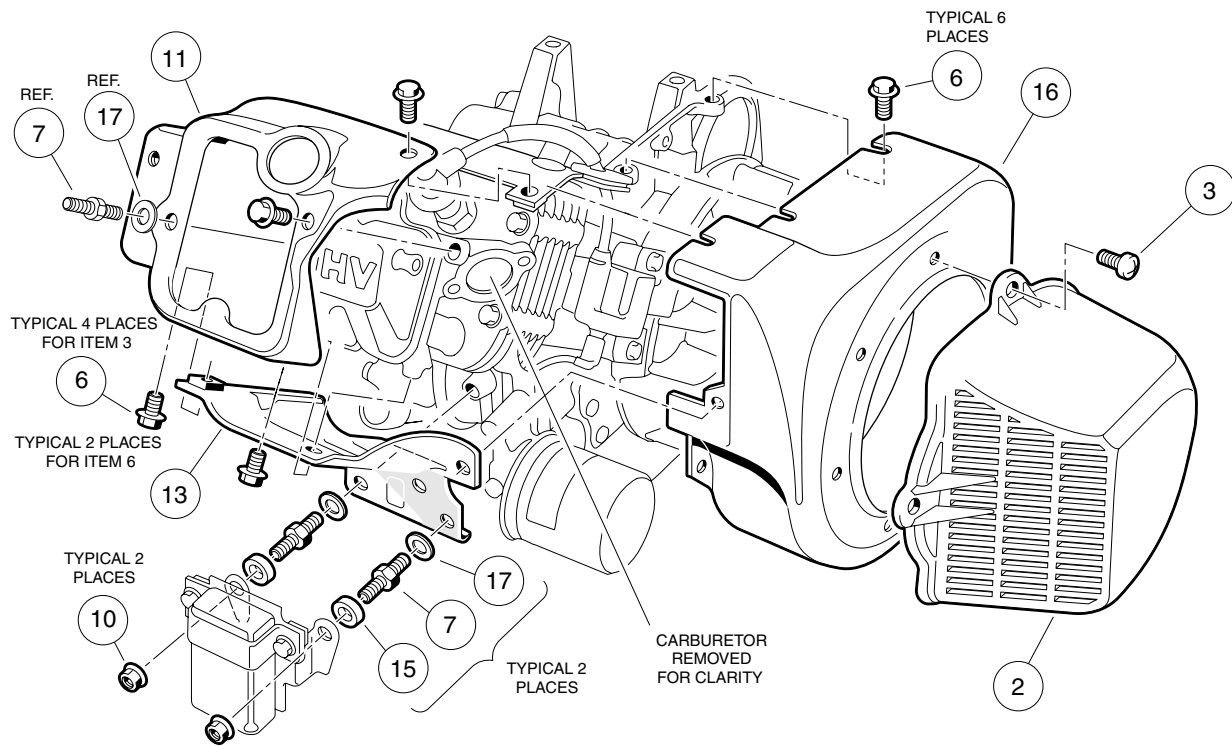
G

FE350 ENGINE

8

G

FE350 ENGINE

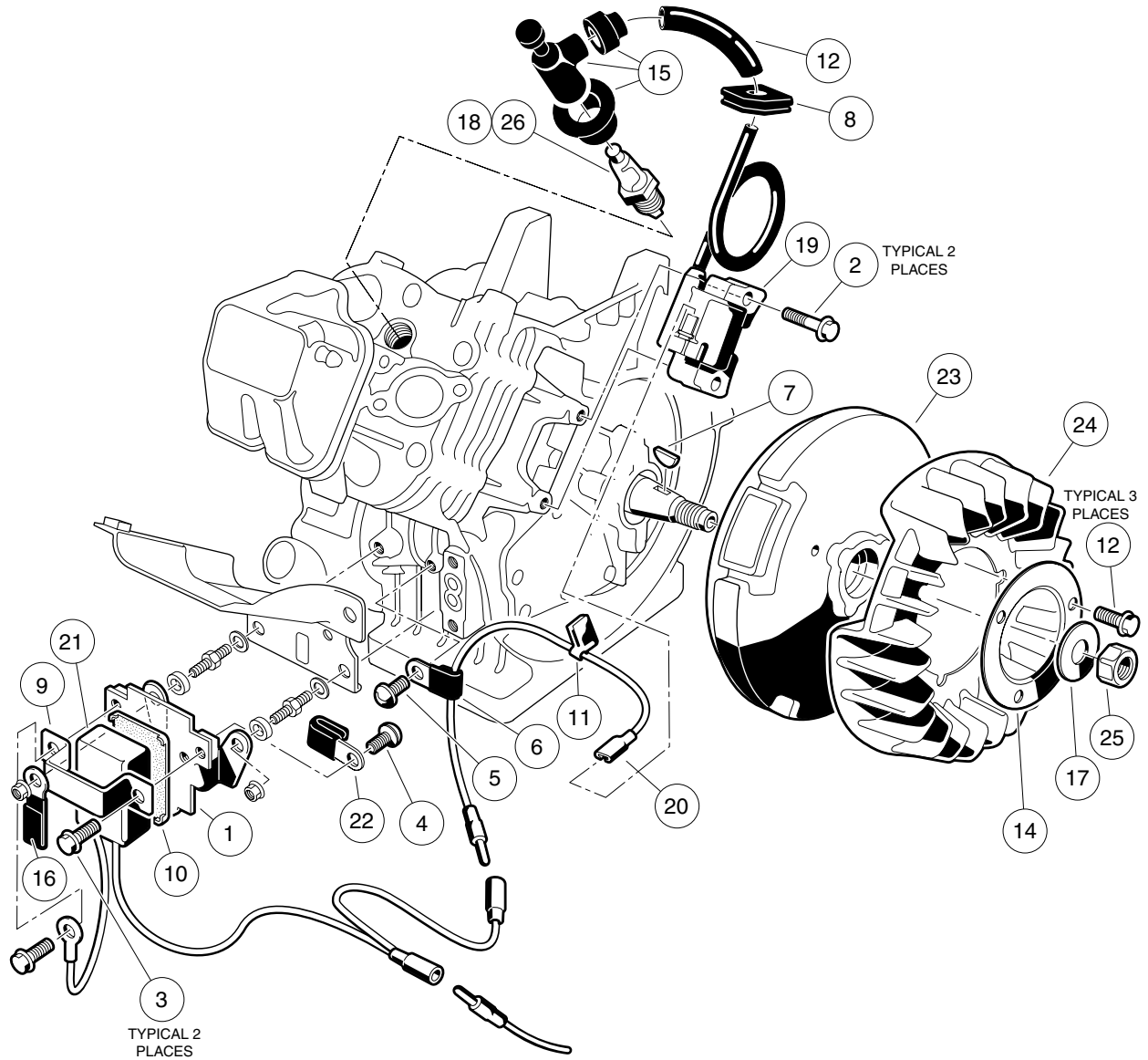


000201-001

FE350 ENGINE WITHOUT ACR (AUTOMATIC COMPRESSION RELEASE) – SHROUDS AND BRACKETS

ITEM	PART NO.	DESCRIPTION	QTY
		1 2 3 4	
1	603 00 02-47	Wire Assembly, #10, Uninsulated	1
2	603 00 02-65	Shroud, Fan	1
3	603 00 02-74	Screw, M6-1.00 X 10mm Pan Hd	4
4	603 00 05-58	Locknut, M6-1.00 Nylon Insert	1
5	603 00 32-38	Engine, FE350 (cw) without ACR * (includes items 6 through 17)	1
6	603 00 03-09	Bolt, Flange Head, M6 x 1 x 12 mm	14
7	603 00 03-28	Bolt, Two-Ended	3
8	603 00 03-33	Dipstick	1
9	603 00 03-37	O-Ring	1
10	603 00 03-41	Nut	3
11	603 00 04-14	Shroud, Engine	1
12	603 00 04-15	Shroud, Engine	1
13	603 00 04-16	Shroud, Engine	1
14	603 00 04-17	Tube, Oil Filler	1
15	603 00 04-20	Spacer 6.50 X 12 X 5.5	2
16	603 00 32-30	Housing, FE350 Fan	1
17	N/A	Washer, 6mm Flat	3
* Note: FE350 engine component listings span several pages.			

8
G

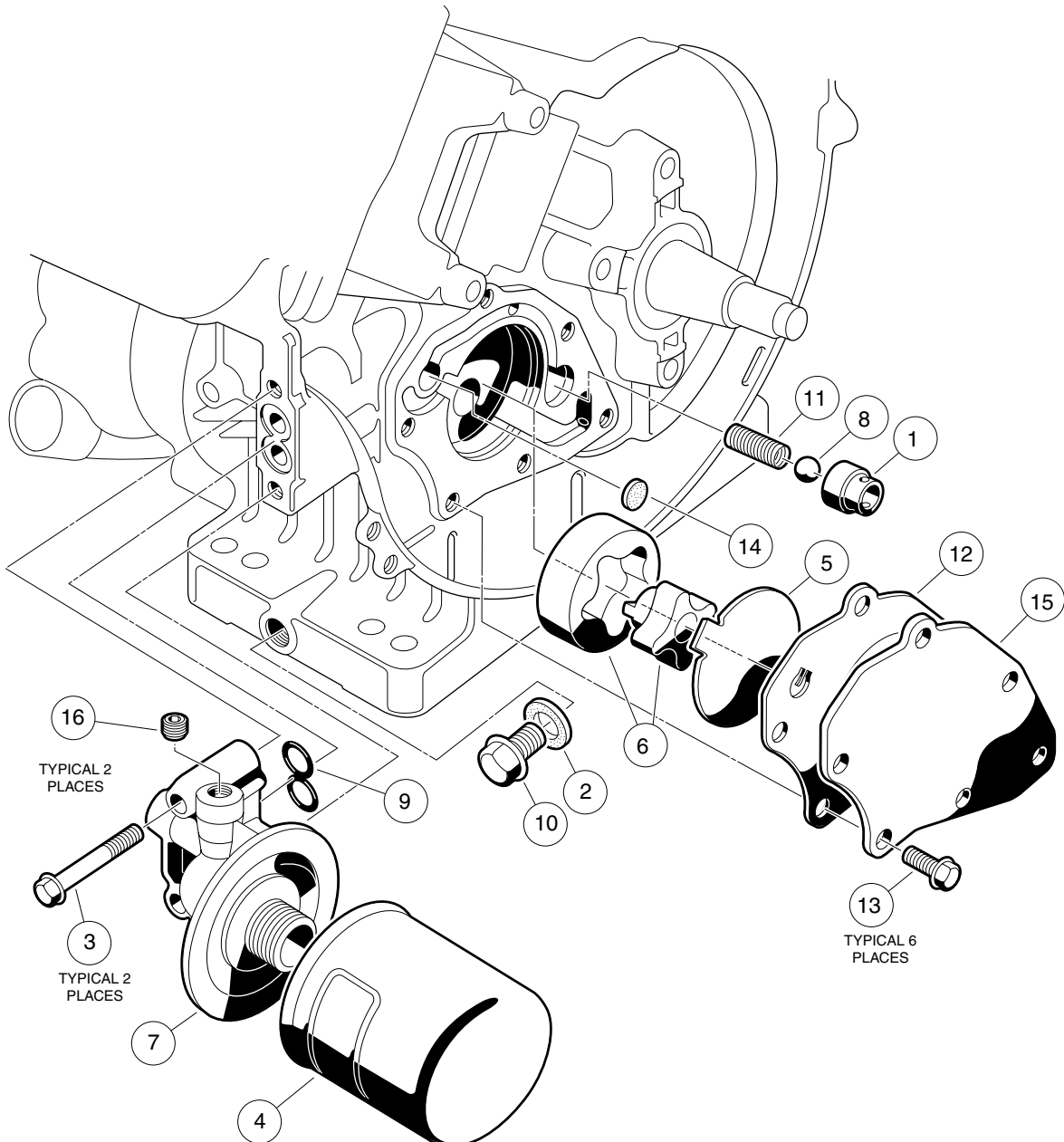


000202-001

FE350 ENGINE – IGNITION COMPONENTS AND FLYWHEEL

ITEM	PART NO.	DESCRIPTION	QTY
		1 2 3 4	
1	603 00 03-03	Bracket, RPM Limiter	1
2	603 00 03-08	Bolt, Flange Head	2
3	603 00 03-09	Bolt, Flange Head, M6 x 1 x 12 mm	2
4	603 00 03-23	Screw, Pan WP Cross	1
5	603 00 03-39	Screw	1
6	603 00 03-44	Clamp	1
7	603 00 03-45	Key	1
8	603 00 03-55	Grommet	1
9	603 00 03-56	Band, RPM Limiter Mount	1
10	603 00 03-62	Damper, RPM Limiter	1
11	603 00 03-63	Clamp	1
12	603 00 03-64	Tube, 7mm X 10mm X 70mm	1
13	603 00 04-02	Bolt, Flanged	3
14	603 00 04-05	Plate, Flywheel Fan	1
15	603 00 04-10	Cap Asm Plug	1
16	603 00 43-79	Clamp	1
17	603 00 04-19	Washer, Flat	1
18	603 00 00-07	Spark Plug, OHV (Autolite)	1
19	603 00 05-81	Coil, Ignition	1
20	603 00 05-82	Lead Wire Assy	1
21	603 00 05-83	Limiter, RPM	1
22	N/A	Clamp, Steel	1
23	603 00 05-86	Flywheel	1
24	603 00 05-87	Fan (cw)	1
25	N/A	Nut, Hex, 18 mm Fine	1
26	603 00 05-80	Spark Plug, OHV (NGK)	1

8
G



000203-001

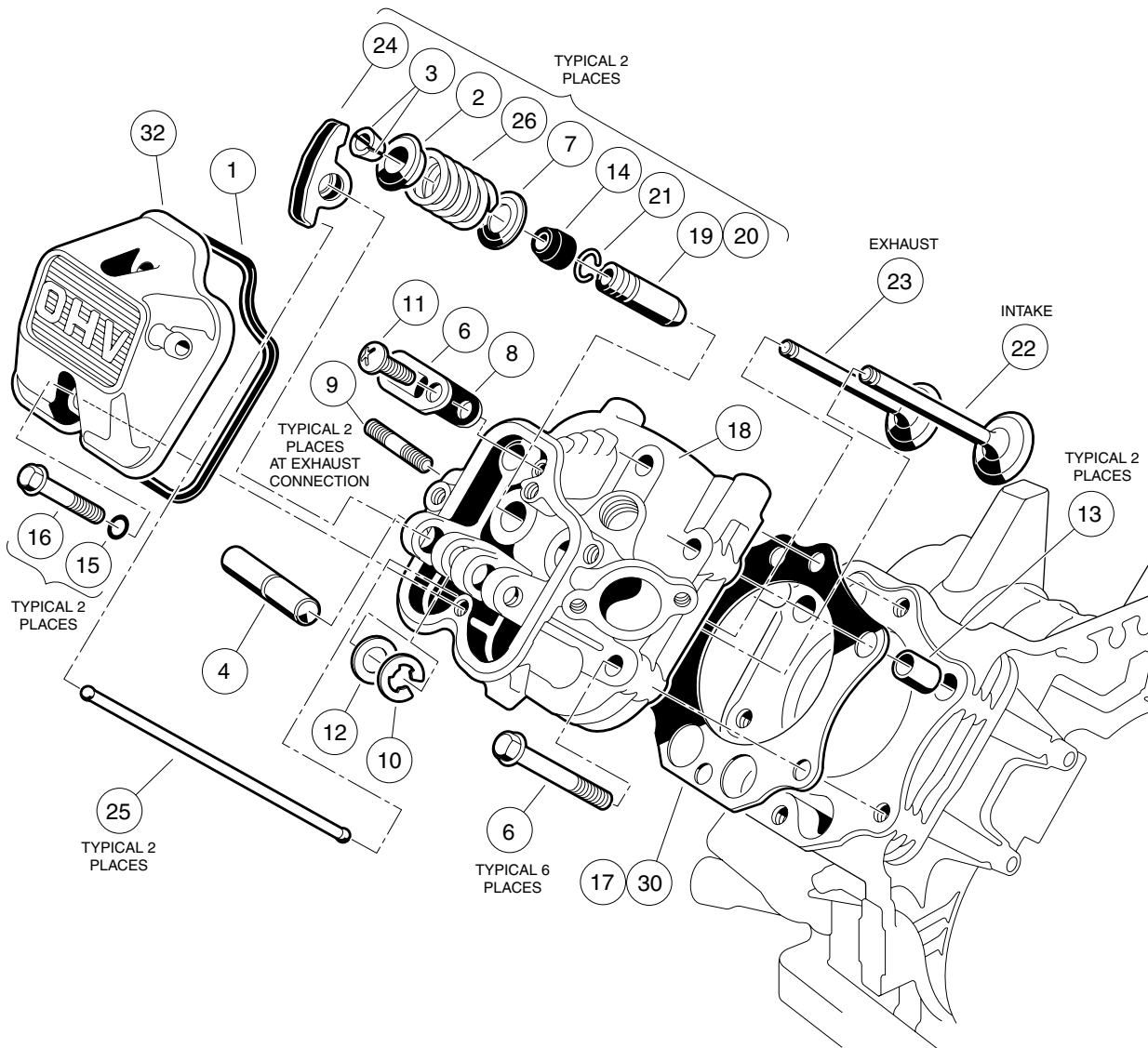
FE350 ENGINE – OIL CIRCULATION

ITEM	PART NO.	DESCRIPTION	QTY
		1 2 3 4	
1	603 00 02-94	Seat, Value Oil Press Relief	1
2	603 00 02-95	Gasket, Drain Plug	1
3	603 00 03-10	Bolt, Flange Head	2
4	603 00 00-06	Filter, Oil	1
5	603 00 03-14	Plate, Oil Pump	1
6	603 00 04-71	Oil Pump And Rotor	1
7	603 00 03-26	Bracket, Oil Filter Mount	1
8	603 00 03-35	Ball, Steel, Press, Relief	1
9	603 00 03-50	O-Ring	1
10	603 00 03-54	Plug, Drain	1
11	603 00 03-57	Spring	1
12	603 00 03-96	Gasket	1
13	603 00 04-06	Bolt, Flanged	6
14	603 00 04-07	Filter	1
15	603 00 04-08	Cover, Pump	1
16	603 00 04-24	Plug	2

8

G

FE350 ENGINE



000204-001

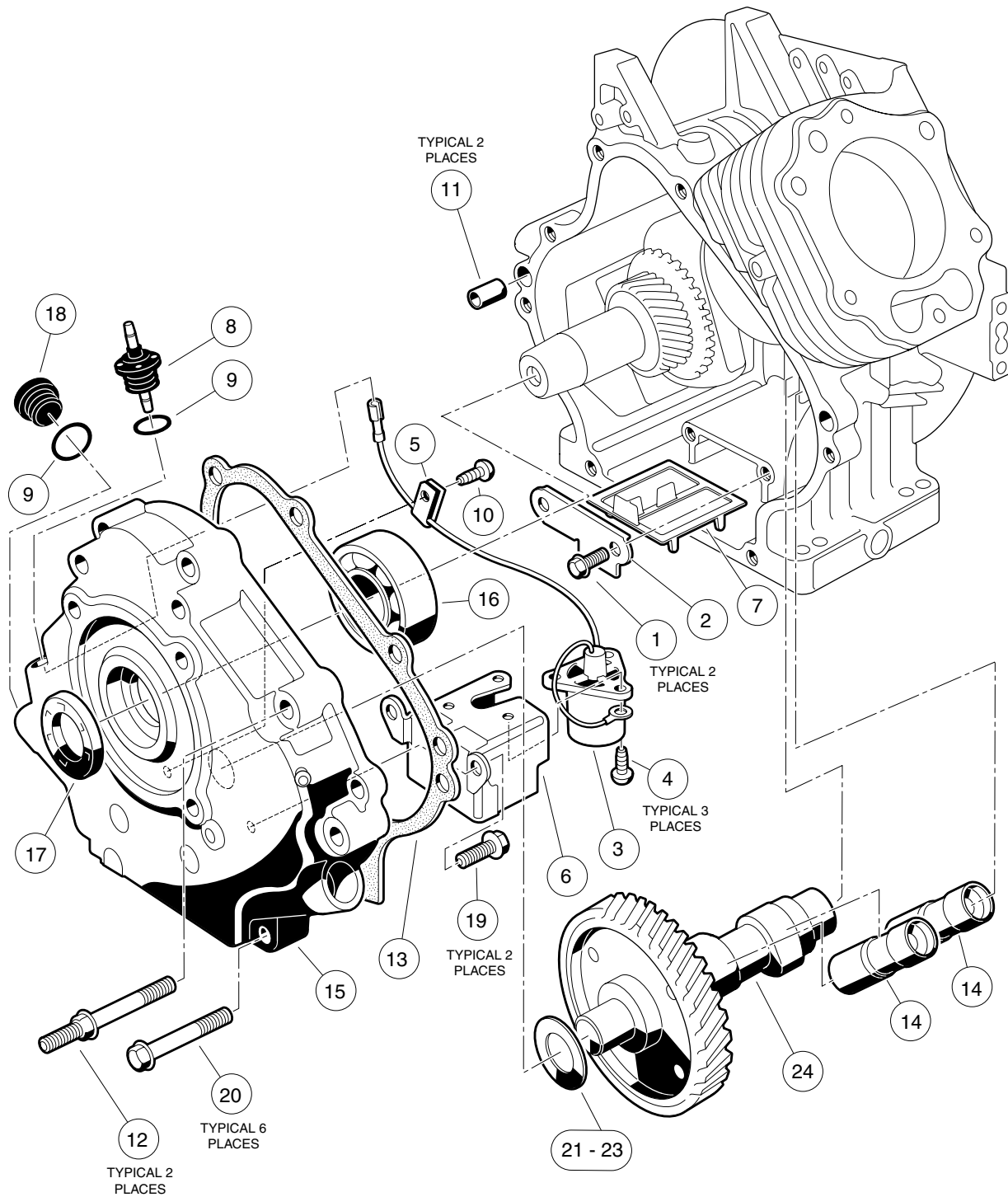
FE350 ENGINE – CYLINDER HEAD

ITEM	PART NO.	DESCRIPTION	QTY
		1 2 3 4	
1	603 00 02-96	Gasket, Rocker Case	1
2	603 00 03-04	Retainer, Valve Spring	2
3	603 00 03-05	Collet	4
4	603 00 03-06	Shaft, Rocker	1
5	603 00 03-11	Bolt, Flange Head, M8 x 1.25 x 45 mm	6
6	603 00 03-15	Plate	1
7	603 00 03-16	Seat, Spring	2
8	603 00 03-18	Valve	1
9	603 00 03-20	Stud, Two-Ended, M8-1.25	2
10	603 00 03-30	Circlip, Type-E	1
11	603 00 03-39	Screw	1
12	603 00 03-42	Washer, 12.1x19x1.8	1
13	603 00 03-46	Pin	2
14	603 00 03-48	Seal, Oil	2
15	603 00 03-49	O-Ring	2
16	603 00 03-59	Bolt, 6x35	2
17	603 00 31-64	Gasket, Head	1
18	603 00 31-65	Assembly, Cylinder Head, FE350 (includes items 19 through 21)	1
19	603 00 31-24	Guide, Valve, Exhaust	1
20	603 00 03-31	Guide, Valve, Intake	1
21	603 00 03-43	Snap Ring	2
22	603 00 03-98	Valve, Intake	1
23	603 00 03-99	Valve, Exhaust	1
24	603 00 04-00	Arm, Rocker	2
25	603 00 04-04	Rod, Push	2
26	603 00 04-13	Spring, Engine Valve	2
27	603 00 32-56	Kit, Gasket, FE350 (includes items 28 through 31)	1
28	603 00 02-99	Gasket, Engine to Insulator	1
29	603 00 29-93	Gasket, Exhaust	1
30	603 00 31-64	Gasket, Head	1
31	603 00 03-97	Gasket, Crankcase Cover	1
32	603 00 03-01	Case, Rocker -w/o Logo Fe290	1
<p>Note: Item 28 is not a component of the FE350 engine.</p>			

8

G

FE350 ENGINE WITHOUT ACR

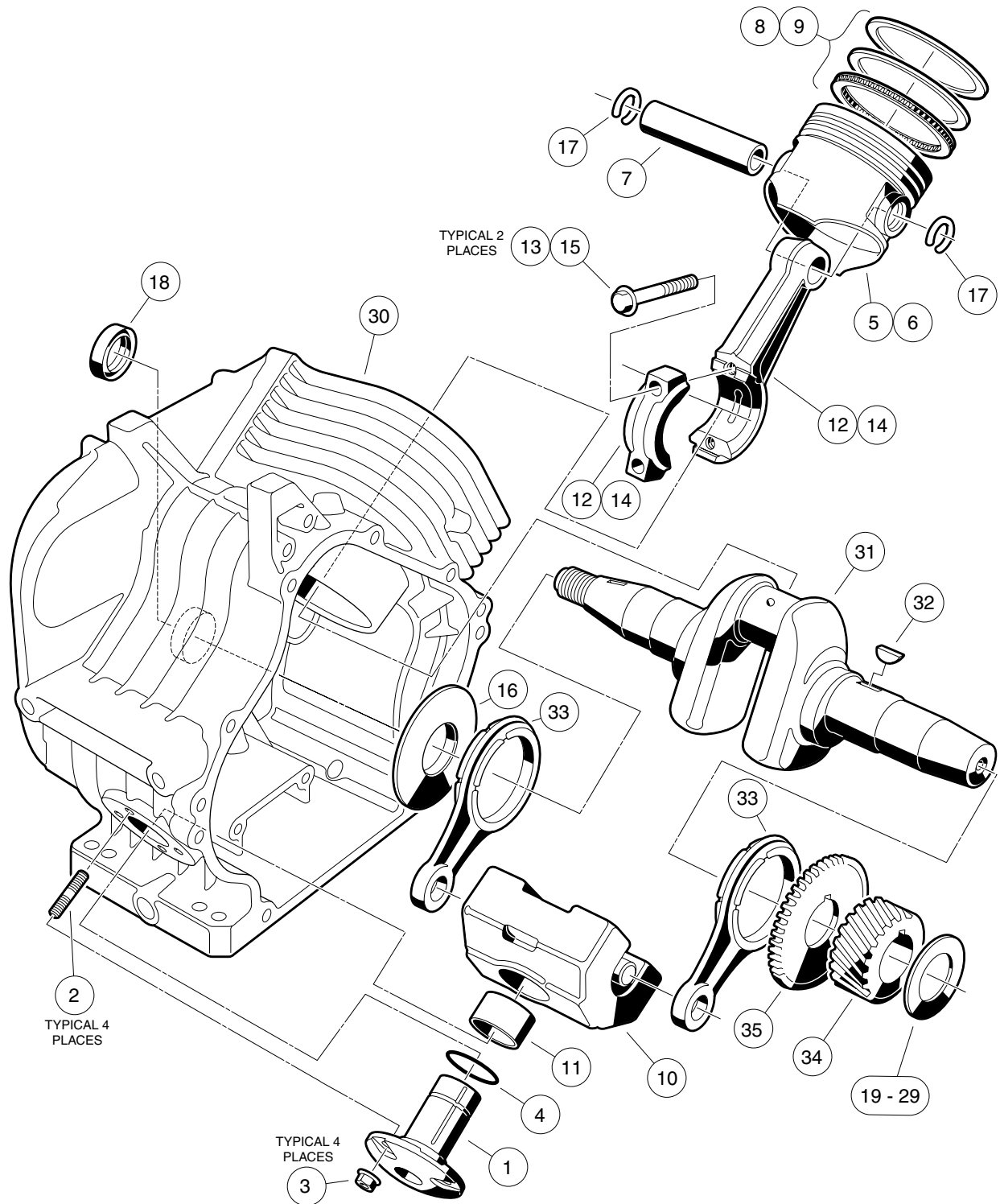


000205-002

FE350 ENGINE WITHOUT ACR – CRANKCASE, CAMSHAFT, AND OIL SENSOR

ITEM	PART NO.	DESCRIPTION	QTY
		1 2 3 4	
1	603 00 03-07	Bolt, Flange Head, M5 x 0.8 x 8 mm	2
2	603 00 03-13	Plate, Oil Filter Screen	1
3	603 00 03-21	Sensor, Oil Level	1
4	603 00 03-22	Screw, Cross Pan-Head, M4 x 0.7 x 8 mm	3
5	603 00 03-27	Clamp	1
6	603 00 31-22	Bracket, Switch, Oil Level	1
7	603 00 03-32	Screen, Oil Filter	1
8	603 00 03-34	Connector, Cord	1
9	603 00 03-36	O-Ring	2
10	603 00 03-39	Screw	1
11	603 00 03-47	Pin	2
12	603 00 03-60	Bolt, Two-Ended, M8 x 1.25 x 69 mm	2
13	603 00 03-97	Gasket, Crankcase Cover	1
14	603 00 04-01	Adjuster, Lash	2
15	603 00 31-71	Cover Crankcase	1
16	603 00 04-18	Bearing, Ball	1
17	603 00 31-72	Seal, Oil	1
18	603 00 04-25	Plug	1
19	603 00 31-74	Bolt	2
20	603 00 04-28	Screw, M8-1.25 X 45mm Hex	6
21	603 00 04-76	Shim, 0.3	A/R
22	603 00 04-77	Shim, 0.4	A/R
23	603 00 04-78	Shim, 0.5	A/R
24	603 00 32-65	Camshaft, FE350 without ACR, 44-Tooth	1

8
G



000206-001

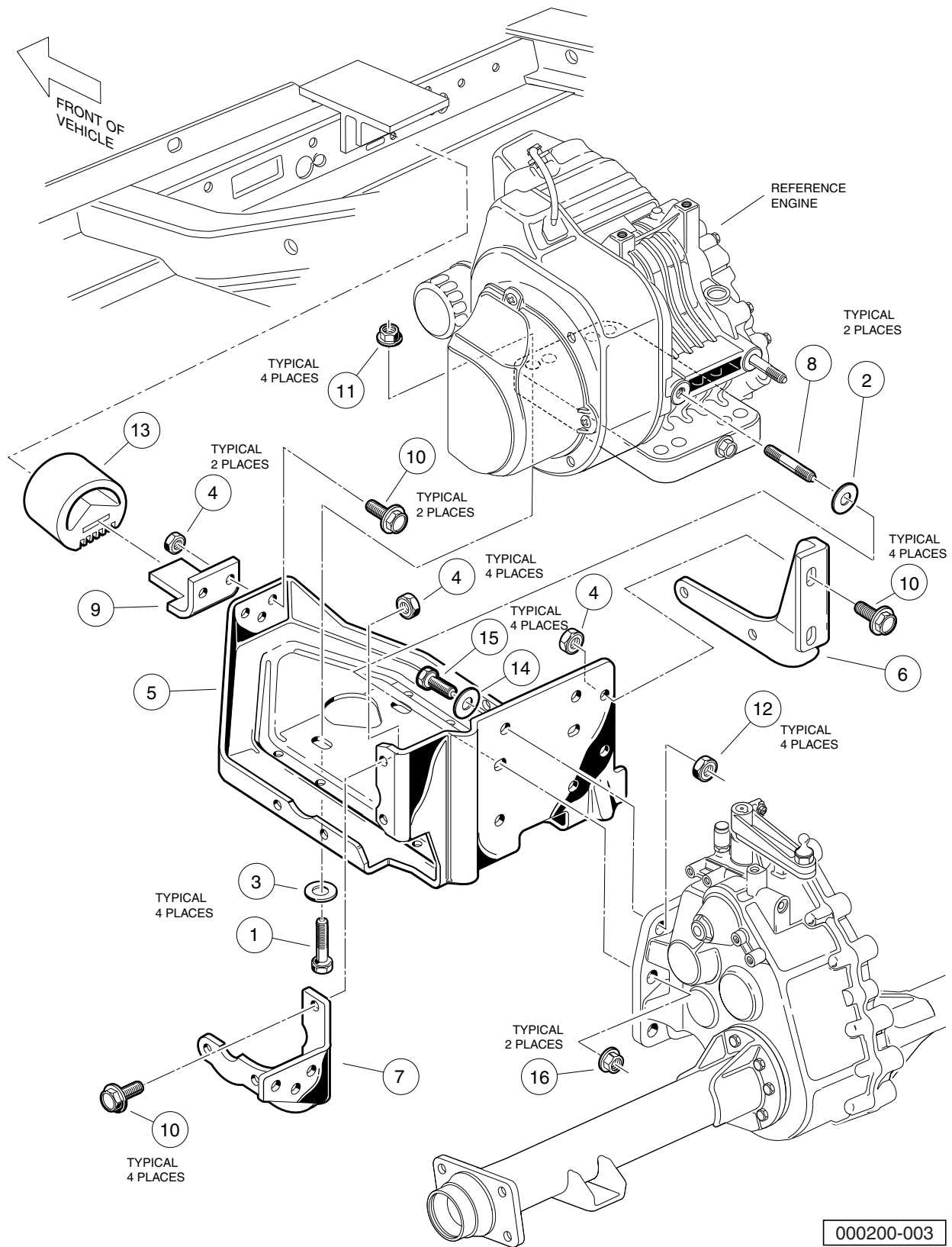
FE350 ENGINE – CRANKCASE AND CRANKSHAFT

ITEM	PART NO.	DESCRIPTION	QTY
		1 2 3 4	
1	603 00 03-12	Shaft, Guide, Counterbalance	1
2	603 00 03-38	Stud, 6x14	4
3	603 00 03-41	Nut	4
4	603 00 03-51	O-Ring	1
5	603 00 31-66	Piston, Standard	1
6	603 00 31-67	Piston, 0.50 mm Oversize	1
7	603 00 04-03	Pin, Piston	1
8	603 00 31-68	Ring Set, Standard Piston	1
9	603 00 31-69	Ring Set, Piston, 0.50 mm Oversize	1
10	603 00 31-70	Weight (includes item 11)	1
11	603 00 04-26	Bearing, Plain	1
12	603 00 04-74	Asm, Con. Rod Std (includes item 13)	1
13	603 00 31-73	Bolt	2
14	603 00 04-75	Rod Assembly Connecting Rod 0.5mm (includes item 15)	1
15	603 00 31-73	Bolt	2
16	603 00 04-21	Spacer	1
17	603 00 04-22	Snap Ring	2
18	603 00 04-23	Seal, Oil	1
19	603 00 04-79	Shim, Crankshaft, 1.18mm	A/R
20	603 00 04-80	Shim, Crankshaft, 1.25mm	A/R
21	603 00 04-81	Shim, Crankshaft, 1.32mm	A/R
22	603 00 04-82	Shim, Crankshaft, 1.39mm	A/R
23	603 00 04-83	Shim, Crankshaft, 1.46mm	A/R
24	603 00 04-84	Shim, Crankshaft, 1.53mm	A/R
25	603 00 04-85	Shim, Crankshaft, 1.60mm	A/R
26	603 00 04-86	Shim, Crankshaft, 1.67mm	A/R
27	603 00 04-87	Shim, Crankshaft, 1.74mm	A/R
28	603 00 04-88	Shim, Crankshaft, 1.11mm	A/R
29	603 00 04-89	Shim, Crankshaft, 1.81mm	A/R
30	603 00 32-29	Crankcase Complete, FE350 (cw)	1
31	603 00 08-59	Crankshaft, FE350 Left-Hand, 22-Tooth (includes items 32 through 35)	1
32	603 00 03-45	Key	1
33	603 00 04-12	Rod	2
34	N/A	Gear, Helical	1
35	N/A	Gear, Spur	1

8

G

8
G



FE350 ENGINE MOUNTING

ITEM	PART NO.	DESCRIPTION	QTY
		1 2 3 4	
1	603 00 01-11	Bolt, Hex-Head, 5/16-18 X 1.50	4
2	603 00 01-27	Washer, 5/16 Flat	2
3	603 00 01-45	Washer, 5/16 Extra Thick Flat	4
4	603 00 01-93	Nut, 5/16-24 Hex Head Cone	10
5	603 00 05-05	Plate, Engine Mounting	1
6	603 00 05-10	Stiffener (PTO Side)	1
7	603 00 05-11	Stiffener (Flywheel Side)	1
8	603 00 05-13	Stud, M8-1.25 X 50 mm Two-Ended	2
9	603 00 05-19	Snubber Bracket	1
10	603 00 05-56	Screw, 5/16-24 X 0.875 Grade-8	10
11	603 00 06-16	Locknut, 5/16-18 Hex Flange	4
12	603 00 07-80	Locknut, 3/8-16 Flanged Dimple	4
13	603 00 01-33	Inner Frame Snubber	1
14	603 00 00-55	Washer, 3/8 Type A Flat	4
15	603 00 00-59	Screw, Cap-hex Hd 3/8-16x1.25	4
16	603 00 05-12	Nut Flg, M8 X 1.25 Serrated	2

8

G

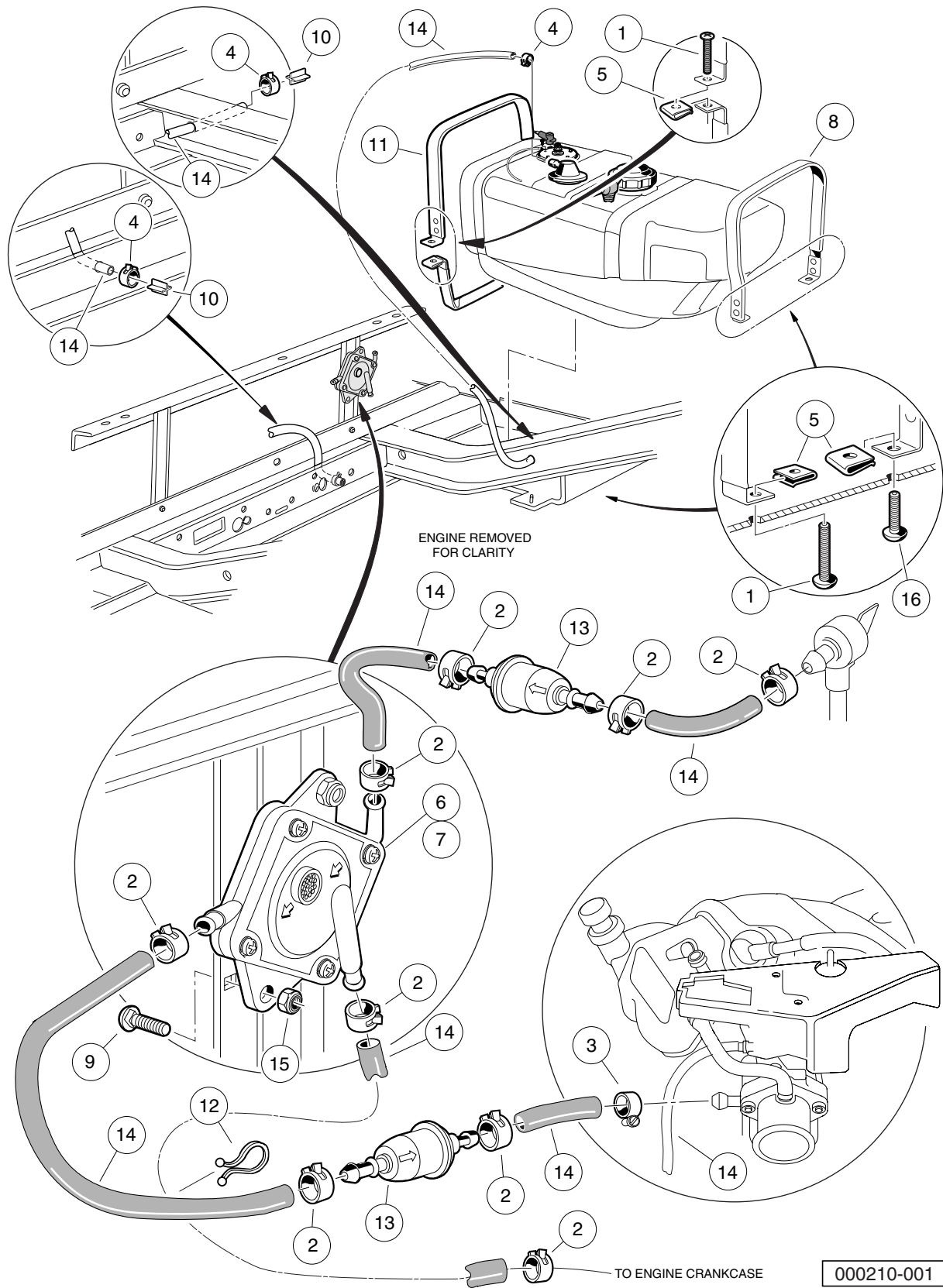
8

G

FUEL, INTAKE, AND GOVERNOR SYSTEMS

9

G

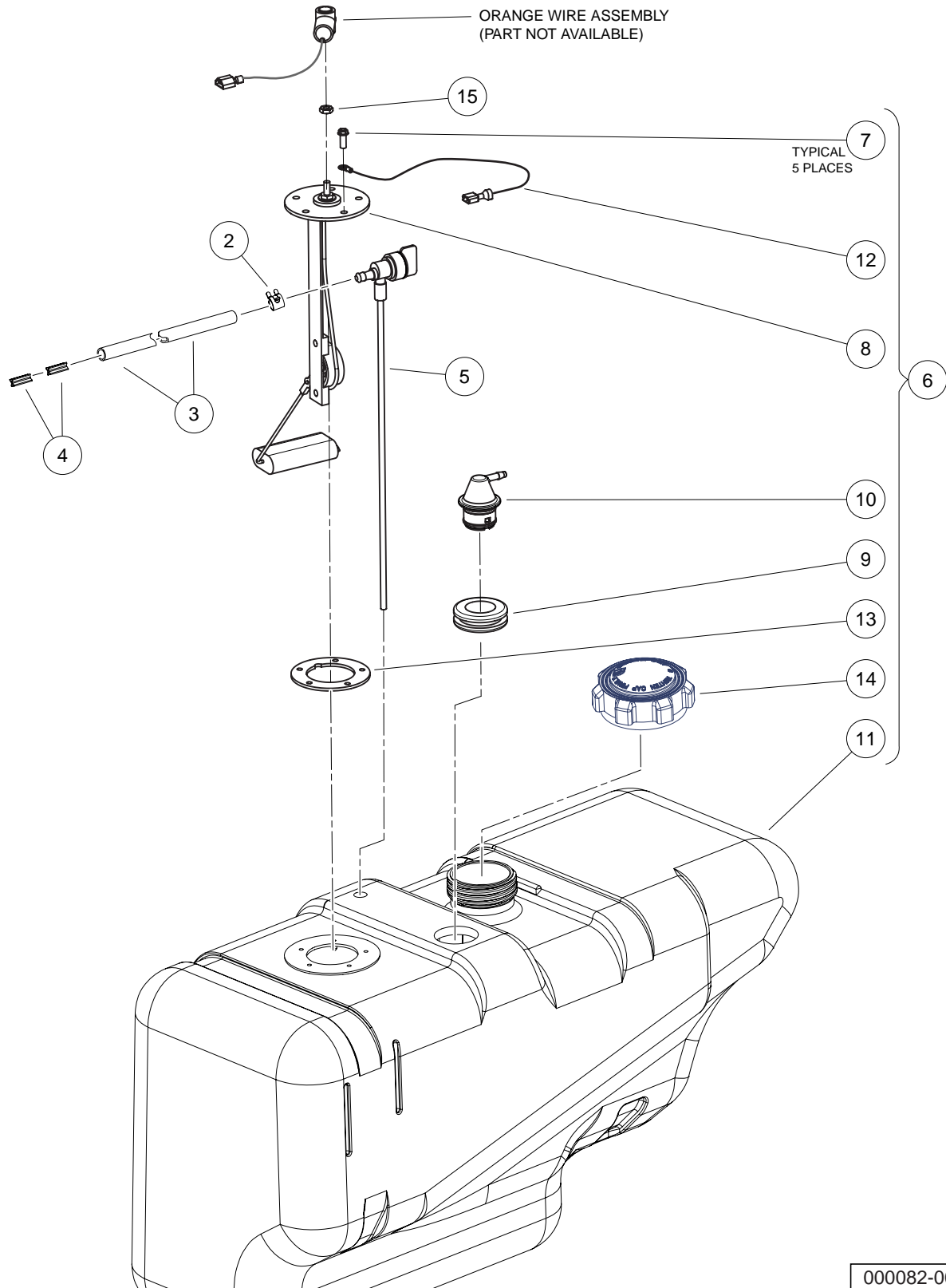


FUEL SYSTEM

ITEM	PART NO.	DESCRIPTION	QTY
		1 2 3 4	
1	603 00 01-31	Screw, 1/4-20 X 2.00 Phillips Truss-Head	2
2	603 00 01-49	Clamp, 0.460 Red Hose	9
3	603 00 01-81	Clamp, 3/8" Hose (screw type)	1
4	603 00 01-85	Clamp, 0.301 ID Hose	3
5	603 00 02-10	Nut, 1/4-20 Speed	3
6	603 00 02-30	Pump, Impulse Fuel	1
7	603 00 02-31	Kit, Impulse Pump Rebuild	1
8	603 00 02-37	Fuel Strap Assembly Rear	1
9	603 00 36-25	Carriage Bolt	2
10	603 00 05-03	Vent Barb	2
11	603 00 06-11	Fuel Strap Assy, Front	1
12	603 00 06-24	Clamp, Plastic Tie	1
13	603 00 00-08	Filter, Fuel, 30 Micron	2
14	531 30 95-42	Fuel Line	A/R
15	603 00 00-89	Locknut, 1/4-20 Nylon Insert	2
16	603 00 00-90	Screw, 1/4-20 X 0.75 Truss-Head Machine	1

9

G



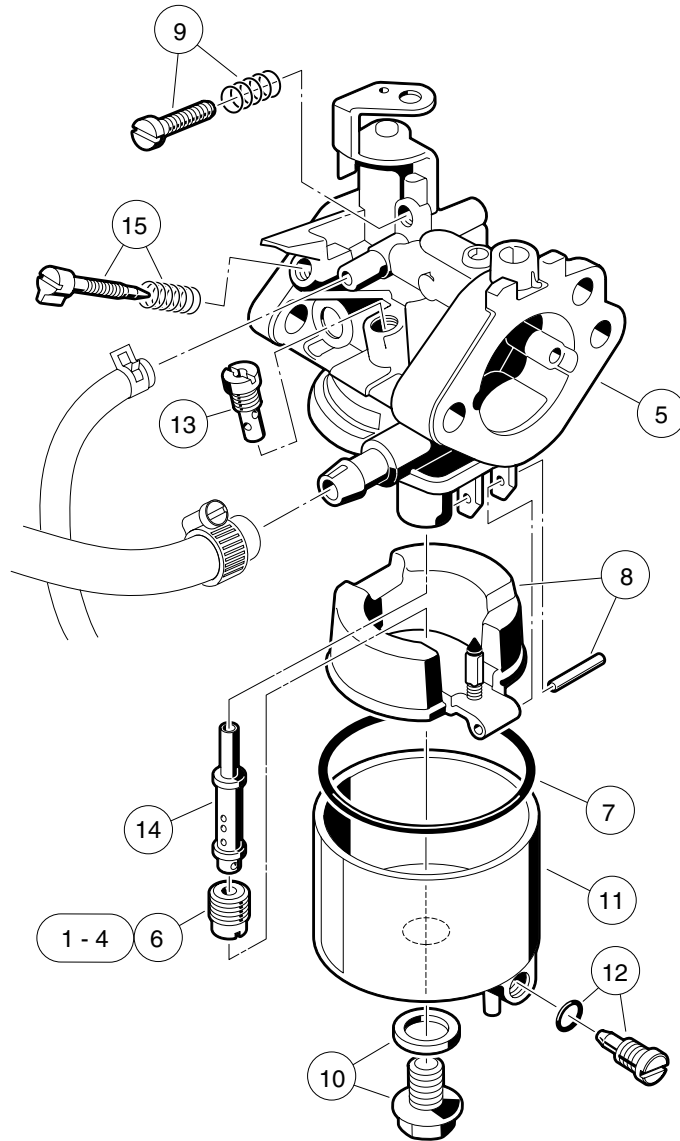
000082-003

FUEL TANK WITH FUEL LEVEL SENDING UNIT

ITEM	PART NO.	DESCRIPTION	QTY
		1 2 3 4	
1	603 00 02-75	Tank Kit w/Sending Unit (includes items 2 through 6)	1
2	603 00 01-85	Clamp, 0.301 ID Hose	2
3	603 00 02-40	Fuel Line (available by the foot)	1
4	603 00 05-03	Vent Barb	2
5	603 00 05-75	Fuel Pickup w/Shut-Off Valve	1
6	N/A	Fuel Tank with Sending Unit (includes items 7 through 14)	1
7	603 00 01-73	Screw, #10-16 Hex-Head Hi-Lo	5
8	****	Sending Unit, Fuel Level *	1
9	603 00 02-41	Insulation Grommet	1
10	603 00 02-42	Vent, Fuel Tank	1
11	N/A	Fuel Tank with Vent and Sending Unit Hole	1
12	N/A	Wire Assembly #16 Black	1
13	603 00 30-57	Gasket, Rubber	1
14	531 30 95-43	Cap, Fuel Tank, Gasoline	1
15	603 00 00-97	Nut, #10-32 Brass Hex	1
<p>**** Special order item available upon request.</p> <p>* Note: Must replace fuel sending unit gasket when servicing this component.</p>			

9

G



000211-001

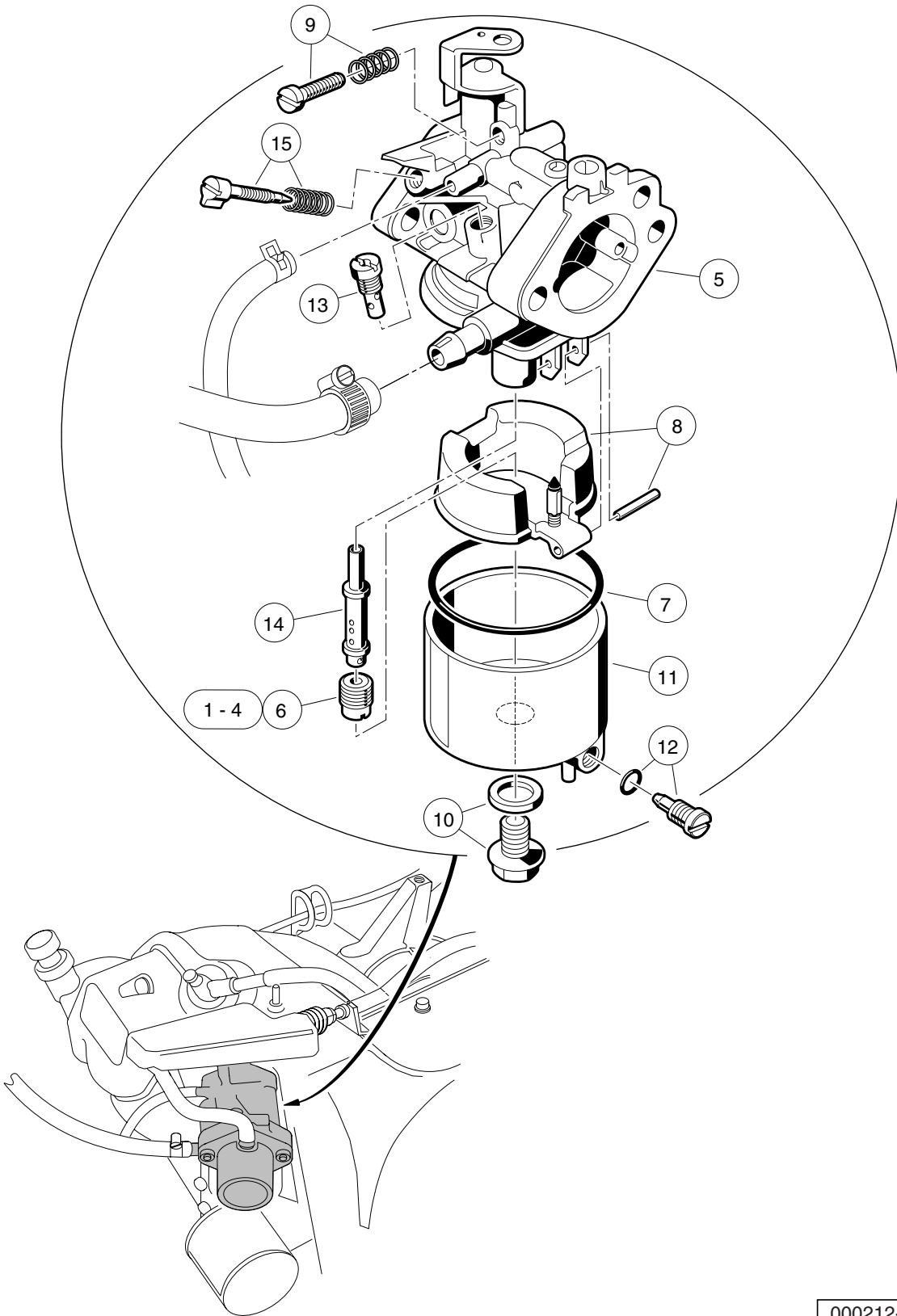
CARBURETOR ASSEMBLY – FE290

ITEM	PART NO.	DESCRIPTION	QTY
		1 2 3 4	
1	603 00 30-93	Jet, Altitude, # 72	A/R
2	603 00 30-94	Jet, Altitude, # 75	A/R
3	603 00 30-95	Jet, Altitude, # 78	A/R
4	603 00 30-96	Jet, Altitude, # 80	A/R
5	603 00 32-18	Carburetor Assembly, FE290D (includes items 6 through 15)	1
6	603 00 04-67	Jet, Altitude, # 82	1
7	603 00 02-97	Gasket, Carburetor Bowl OHV	1
8	603 00 03-19	Float Assembly	1
9	603 00 03-25	Screw Assembly	1
10	603 00 03-61	Bolt	1
11	603 00 04-09	Chamber Assembly, Float (includes item 12)	1
12	603 00 03-24	Screw Assembly	1
13	603 00 32-42	Jet, #40 Pilot	1
14	603 00 32-43	Nozzle, Main	1
15	N/A	Assembly, Pilot Air Screw	1
<p>Note: 101642582 for 0 - 3,000 feet; 101642580 for 3,000 - 5,000 feet; 101642578 for 5,000 - 8,000 feet; 101642575 for 8,000 - 10,000 feet; 101642572 for 10,000 feet and higher.</p>			

9

G

9
G

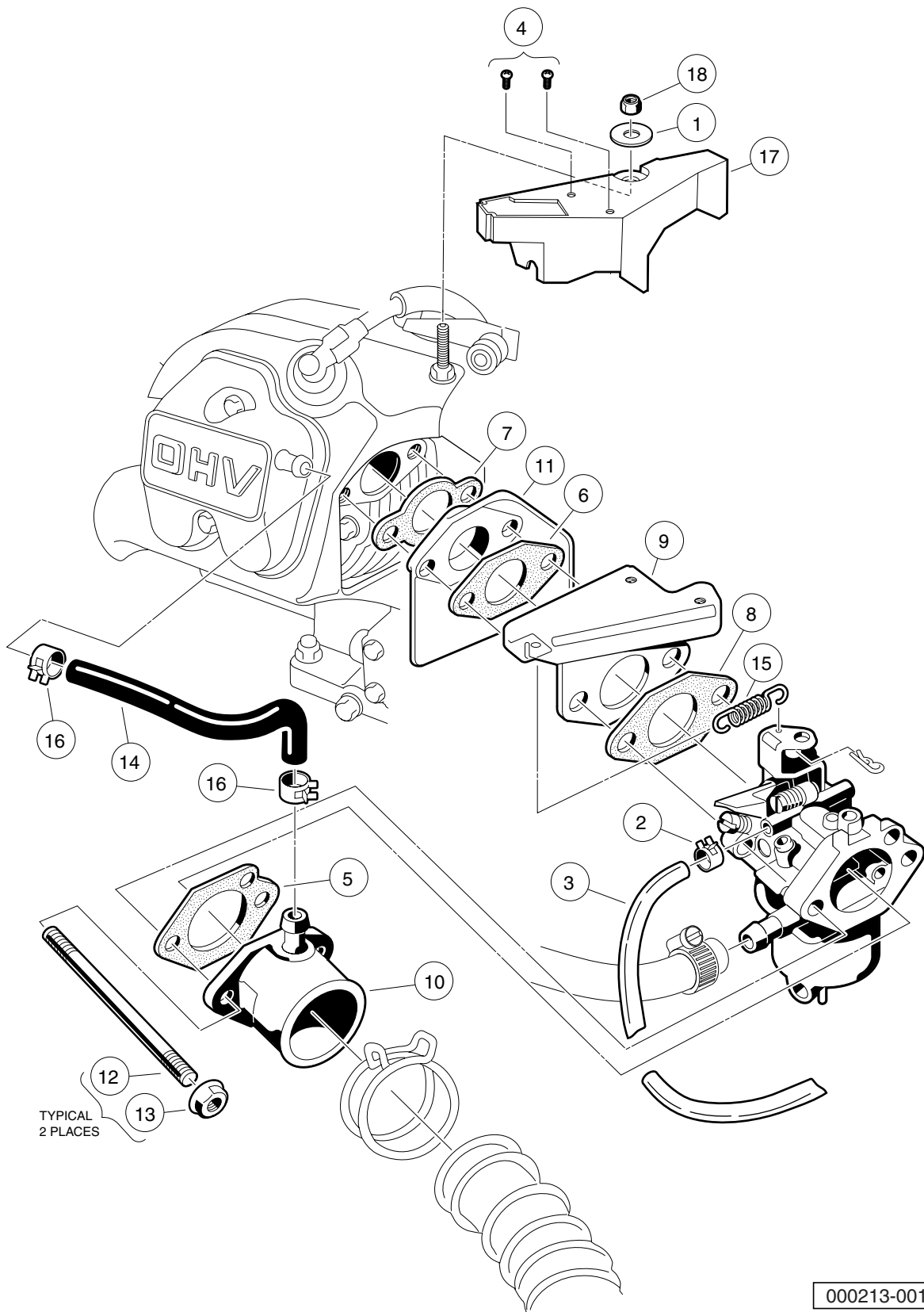


000212-001

CARBURETOR ASSEMBLY – FE350

ITEM	PART NO.	DESCRIPTION	QTY
		1 2 3 4	
1	603 00 30-94	Jet, Altitude, # 75	A/R
2	603 00 30-95	Jet, Altitude, # 78	A/R
3	603 00 30-96	Jet, Altitude, # 80	A/R
4	603 00 04-67	Jet, Altitude, # 82	A/R
5	603 00 32-19	Carburetor, FE350D (includes items 6 through 15)	1
6	603 00 04-68	Jet, Altitude, # 85	1
7	603 00 02-97	Gasket, Carburetor Bowl OHV	1
8	603 00 03-19	Float Assembly	1
9	603 00 03-25	Screw Assembly	1
10	603 00 03-61	Bolt	1
11	603 00 04-09	Chamber Assembly, Float (includes item 12)	1
12	603 00 03-24	Screw Assembly	1
13	603 00 32-42	Jet, #40 Pilot	1
14	603 00 32-44	Nozzle, Main	1
15	N/A	Assembly, Pilot Air Screw	1
		<p>Note: 101642585 for 0 - 3,000 feet; 101642582 for 3,000 - 5,000 feet; 101642580 for 5,000 - 8,000 feet; 101642578 for 8,000 - 10,000 feet; 101642575 for 10,000 feet and higher.</p>	

9
G

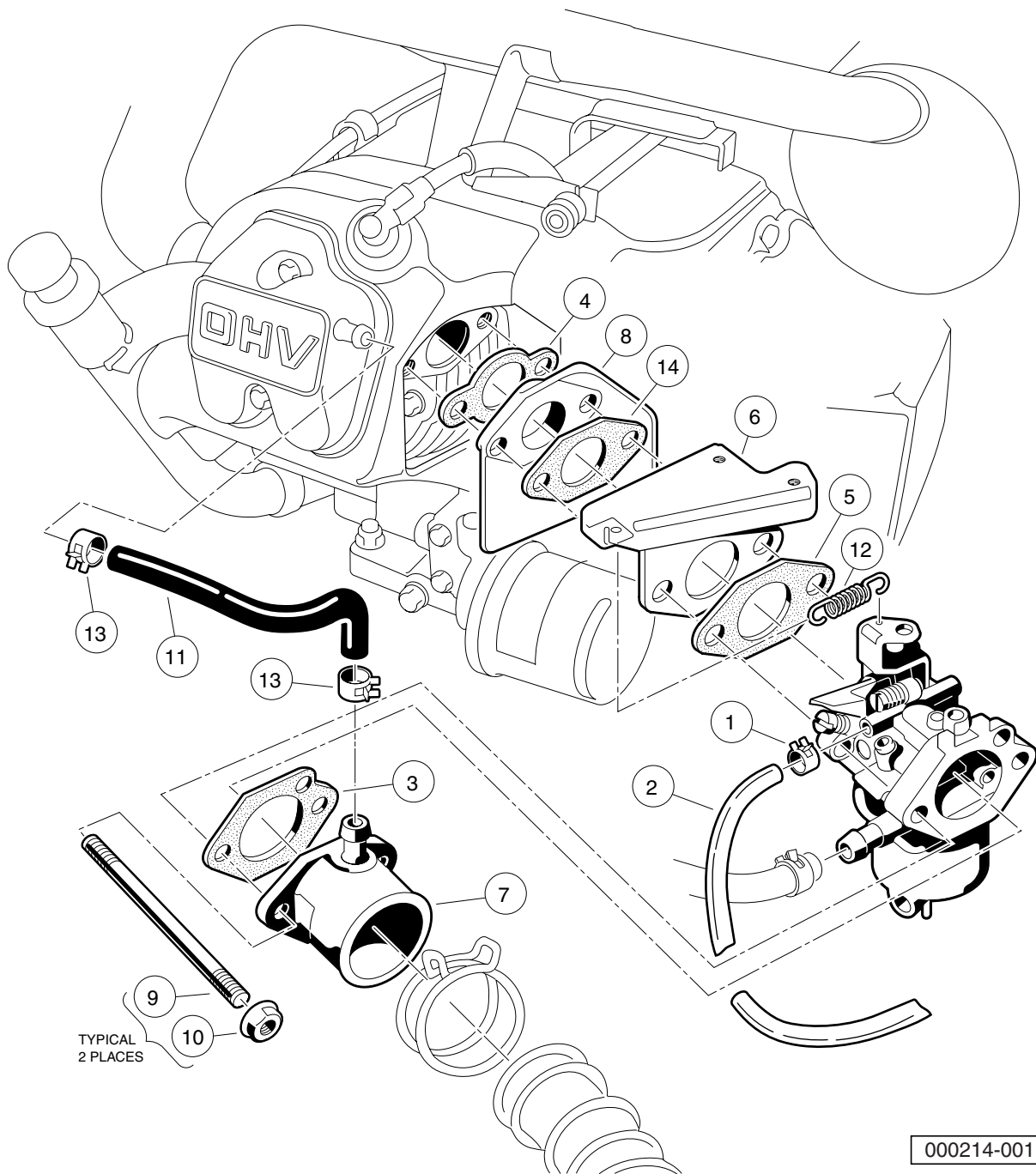


000213-001

CARBURETOR INSTALLATION – FE290

ITEM	PART NO.	DESCRIPTION	QTY
		1 2 3 4	
1	603 00 01-27	Washer, 5/16 Flat	1
2	603 00 01-85	Clamp, 0.301 ID Hose	1
3	603 00 02-40	Fuel Line (available by the foot)	A/R
4	603 00 36-31	Screw, Pan Hd Tx, Taptite 6-32	2
5	603 00 02-98	Gasket, Carb To Intake Manifold	1
6	603 00 31-00	Gasket, Insulator	1
7	603 00 02-99	Gasket, Engine to Insulator	1
8	603 00 03-00	Gasket, Sprg Brkt To Carb OHV	1
9	603 00 03-02	Bracket, Throttle Spring Return	1
10	603 00 03-17	Pipe, Intake Manifold	1
11	603 00 04-70	Insulator, Carburetor	1
12	603 00 04-72	Stud, M6-1.00 Two-Ended	2
13	603 00 03-41	Nut	2
14	603 00 03-52	Tube, Crankcase Vent	1
15	603 00 03-58	Spring, Throttle Return	1
16	603 00 04-11	Clamp	2
17	603 00 31-84	Shield, Governor	1
18	603 00 05-58	Locknut, M6-1.00 Nylon Insert	1

9
G

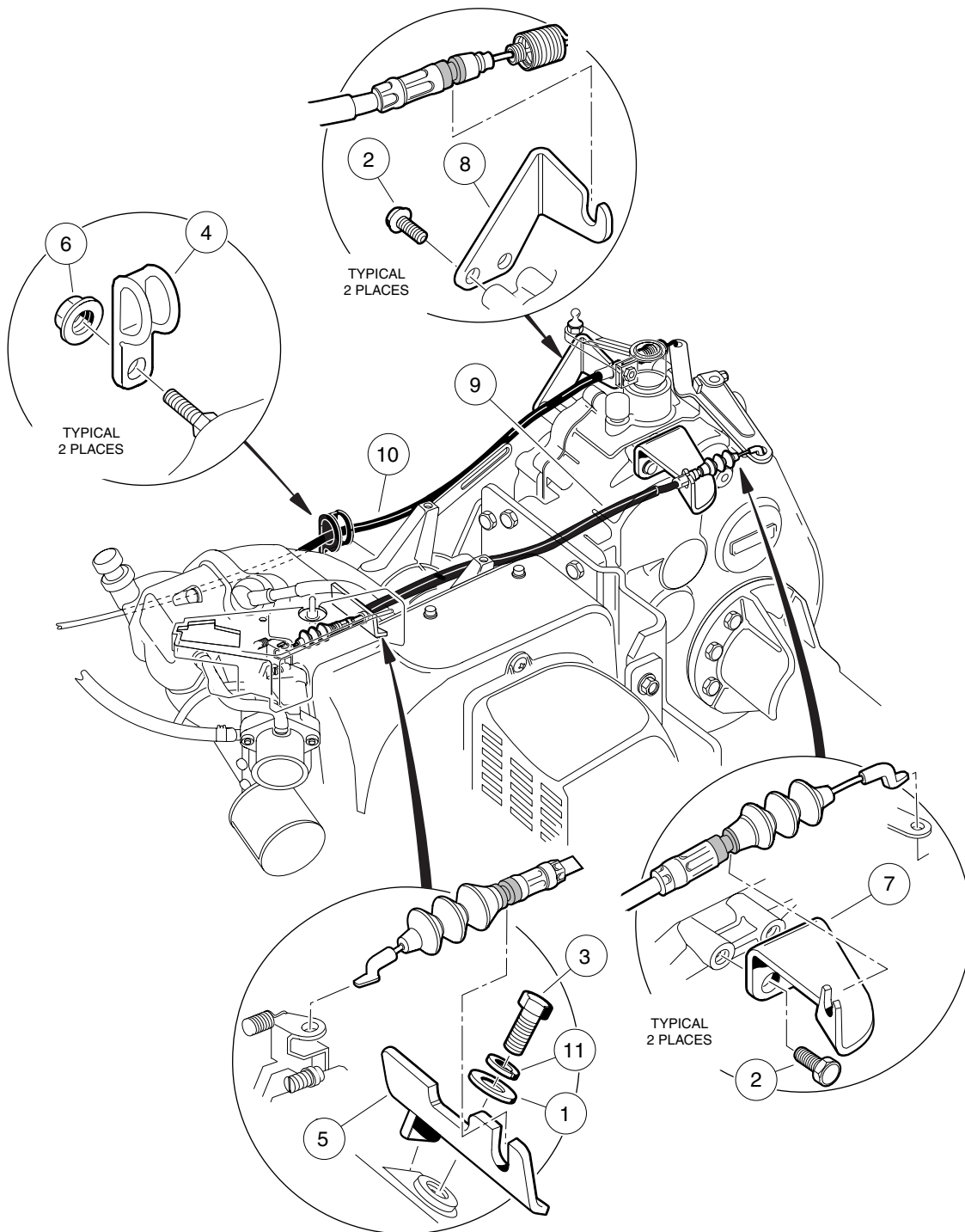


CARBURETOR INSTALLATION – FE350

ITEM	PART NO.	DESCRIPTION	QTY
		1 2 3 4	
1	603 00 01-85	Clamp, 0.301 ID Hose	1
2	603 00 02-40	Fuel Line (available by the foot)	A/R
3	603 00 02-98	Gasket, Carb To Intake Manifold	1
4	603 00 02-99	Gasket, Engine to Insulator	1
5	603 00 03-00	Gasket, Sprg Brkt To Carb OHV	1
6	603 00 03-02	Bracket, Throttle Spring Return	1
7	603 00 03-17	Pipe, Intake Manifold	1
8	603 00 04-70	Insulator, Carburetor	1
9	603 00 04-72	Stud, M6-1.00 Two-Ended	2
10	603 00 03-41	Nut	2
11	603 00 03-52	Tube, Crankcase Vent	1
12	603 00 03-58	Spring, Throttle Return	1
13	603 00 04-11	Clamp	2
14	603 00 06-20	Gasket, Insulator To Bracket	1

9

G



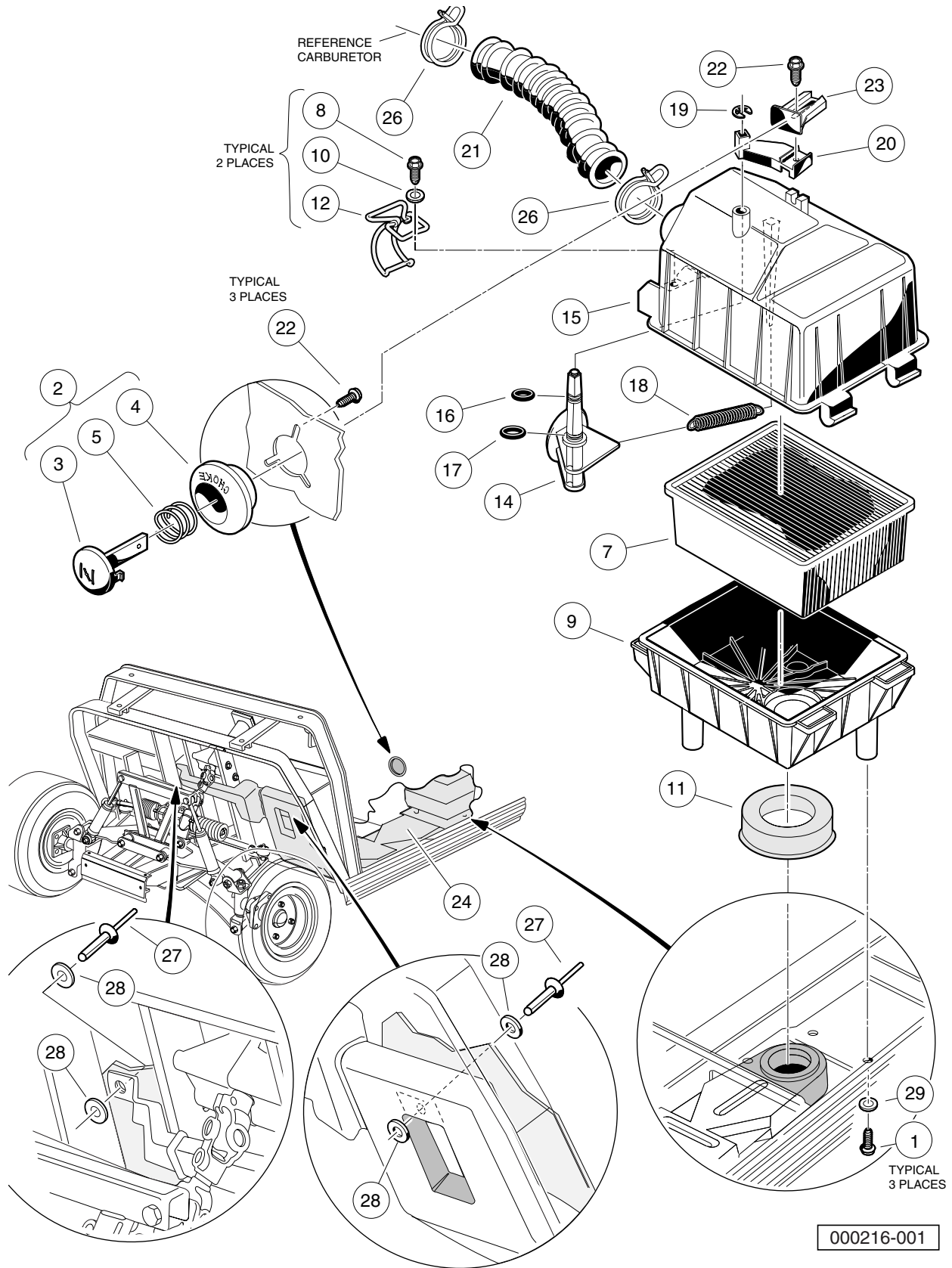
000215-001

GOVERNOR AND ACCELERATOR CABLES

ITEM	PART NO.	DESCRIPTION	QTY
		1 2 3 4	
1	603 00 01-27	Washer, 5/16 Flat	1
2	603 00 01-34	Screw, 1/4 X 0.625 Hex-Head	4
3	603 00 05-79	Screw, M8-125 X 22 Hex-Head	1
4	603 00 01-83	Clamp	2
5	603 00 02-71	Bracket, Governor Cable Snap-In	1
6	603 00 03-40	Nut	2
7	603 00 05-08	Bracket, Rear Governor Cable Snap-In	1
8	603 00 05-09	Bracket, Rear Accelerator Cable Snap-In	1
9	603 00 08-86	Cable, Governor, Snap-In	1
10	603 00 08-87	Cable, Accelerator, Snap-In	1
11	603 00 00-72	Lockwasher, 5/16 Split	1

9

G



INTAKE DUCT, CHOKE, AND AIR BOX ASSEMBLY

ITEM	PART NO.	DESCRIPTION	QTY
		1 2 3 4	
1	603 00 02-68	Screw, #12-16 X 0.625 Hi-Lo	3
2	603 00 31-76	Button Assembly, Choke (includes items 3 through 5)	1
3	603 00 31-77	Lever, Choke	1
4	603 00 31-78	Guide, Choke Lever	1
5	603 00 31-96	Compression Spring	1
6	603 00 05-01	Assembly, Air Box (includes items 7 through 13)	1
7	603 00 00-04	Filter, Air	1
8	603 00 04-91	Screw, #8 X 0.500, Hex-Head Hi-Lo	2
9	603 00 04-94	Bottom, Air Box	1
10	603 00 05-55	Washer, #8 Stainless-Steel Flat	2
11	603 00 05-92	Seal, Intake	1
12	603 00 05-94	Latch, Wireform	2
13	603 00 06-19	Top Assy, Air Box (includes items 14 through 20)	1
14	N/A	Valve, Choke	1
15	N/A	Top, Air Box	1
16	N/A	O-Ring, 5/16	1
17	N/A	O-Ring, 3/8	1
18	603 00 04-97	Spring, Extension Return	1
19	603 00 04-98	Retaining Ring 0.25, Shaft	1
20	603 00 05-91	Lever, Choke	1
21	603 00 05-23	Hose, Air Intake	1
22	603 00 31-94	Screw, #12-16 X 0.50 Washer-Head Hi-Lo	4
23	603 00 32-31	Choke Positioner	1
24	603 00 32-41	Duct Assembly	1
25	N/A	Tape Kit, Air Duct Repair	A/R
26	603 00 06-18	Clamp, 1.58" ID Hose	2
27	603 00 00-67	Rivet, 3/16 X .500 Alum Pop	2
28	603 00 00-51	Washer, #10 Type A Flat	4
29	603 00 00-54	Washer, 1/4 Type A Narrow Flat	3
		Note: Item 25 is not illustrated.	

9
G

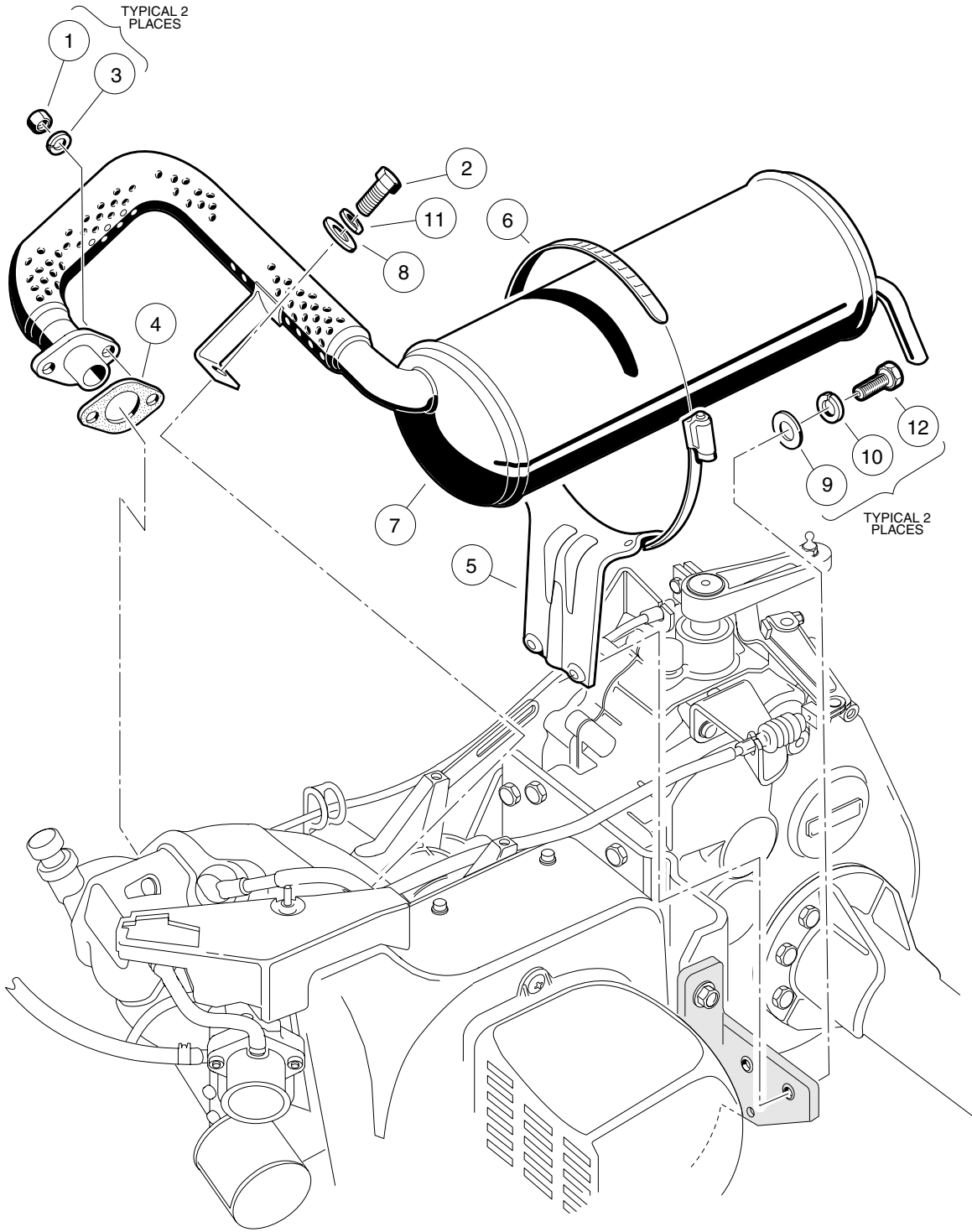
9

G

EXHAUST SYSTEM

10

G



000208-001

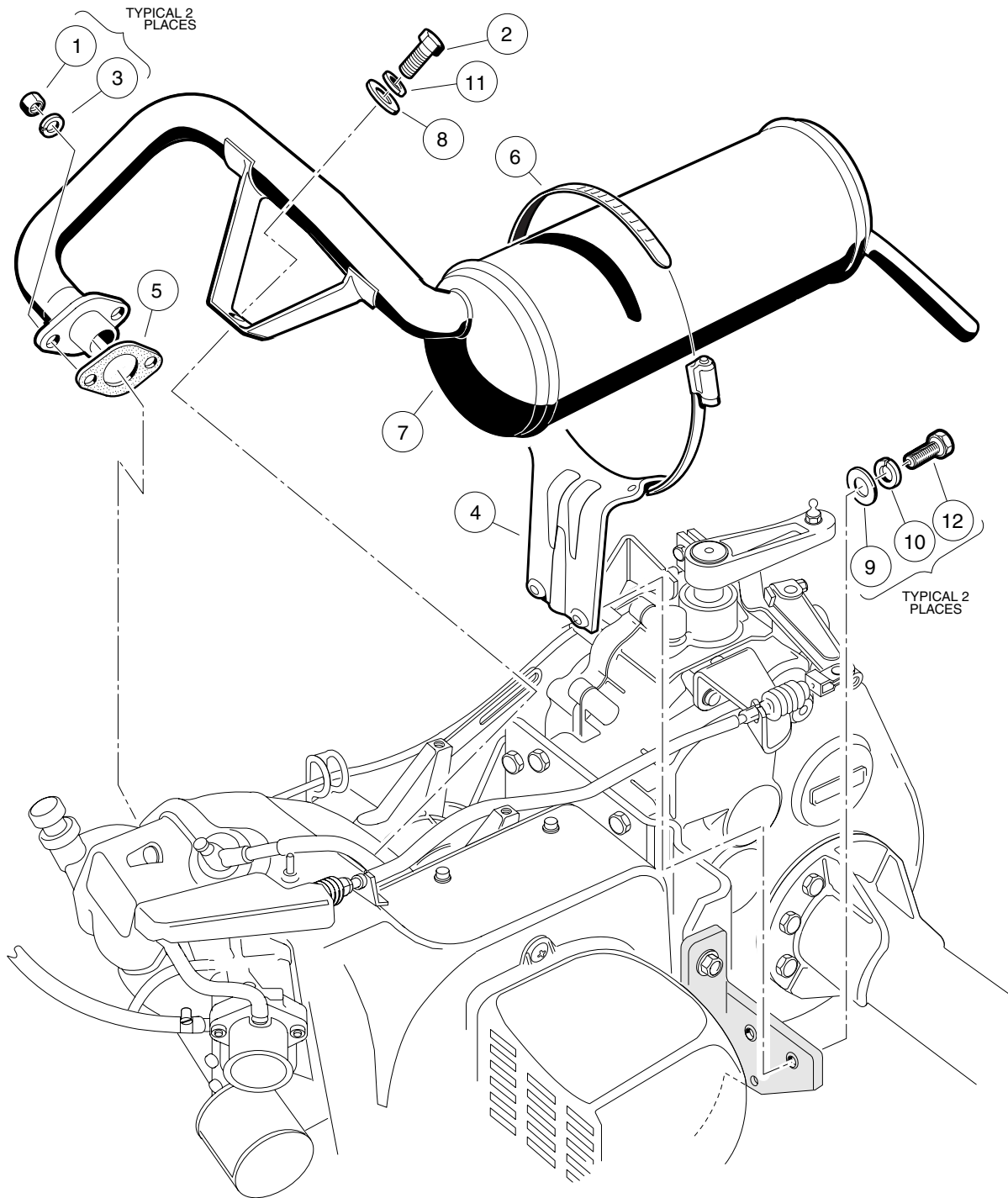
EXHAUST SYSTEM – FE290 ENGINE

ITEM	PART NO.	DESCRIPTION	QTY
		1 2 3 4	
1	603 00 01-42	Nut, M8-1.25 Hex	2
2	603 00 05-79	Screw, M8-1.25 X 22 Hex-Head	1
3	603 00 01-84	Lockwasher, 8mm Split	2
4	603 00 30-83	Gasket, Exhaust	1
5	603 00 02-70	Bracket, Muffler Mounting	1
6	603 00 04-31	Clamp, 5" Muffler Hose	1
7	603 00 31-97	Exhaust System, FE290	1
8	603 00 00-65	Washer, 5/16 Type A Flat	1
9	603 00 00-54	Washer, 1/4 Type A Narrow Flat	2
10	603 00 00-58	Lockwasher, 1/4 Helical Split	2
11	603 00 00-72	Lockwasher, 5/16 Split	1
12	603 00 00-83	Screw, 1/4-20 X 0.75 Hex-Head Cap	2

10

G

10
G



000209-001

EXHAUST SYSTEM – FE350 ENGINE

ITEM	PART NO.	DESCRIPTION	QTY
		1 2 3 4	
1	603 00 01-42	Nut, M8-1.25 Hex	2
2	603 00 05-79	Screw, M8-1.25 X 22 Hex-Head	1
3	603 00 01-84	Lockwasher, 8mm Split	2
4	603 00 02-70	Bracket, Muffler Mounting	1
5	603 00 29-93	Gasket, Exhaust	1
6	603 00 04-31	Clamp, 5" Muffler Hose	1
7	603 00 31-98	Exhaust System, FE350	1
8	603 00 00-65	Washer, 5/16 Type A Flat	1
9	603 00 00-54	Washer, 1/4 Type A Narrow Flat	2
10	603 00 00-58	Lockwasher, 1/4 Helical Split	2
11	603 00 00-72	Lockwasher, 5/16 Split	1
12	603 00 00-83	Screw, 1/4-20 X 0.75 Hex-Head Cap	2

10

G

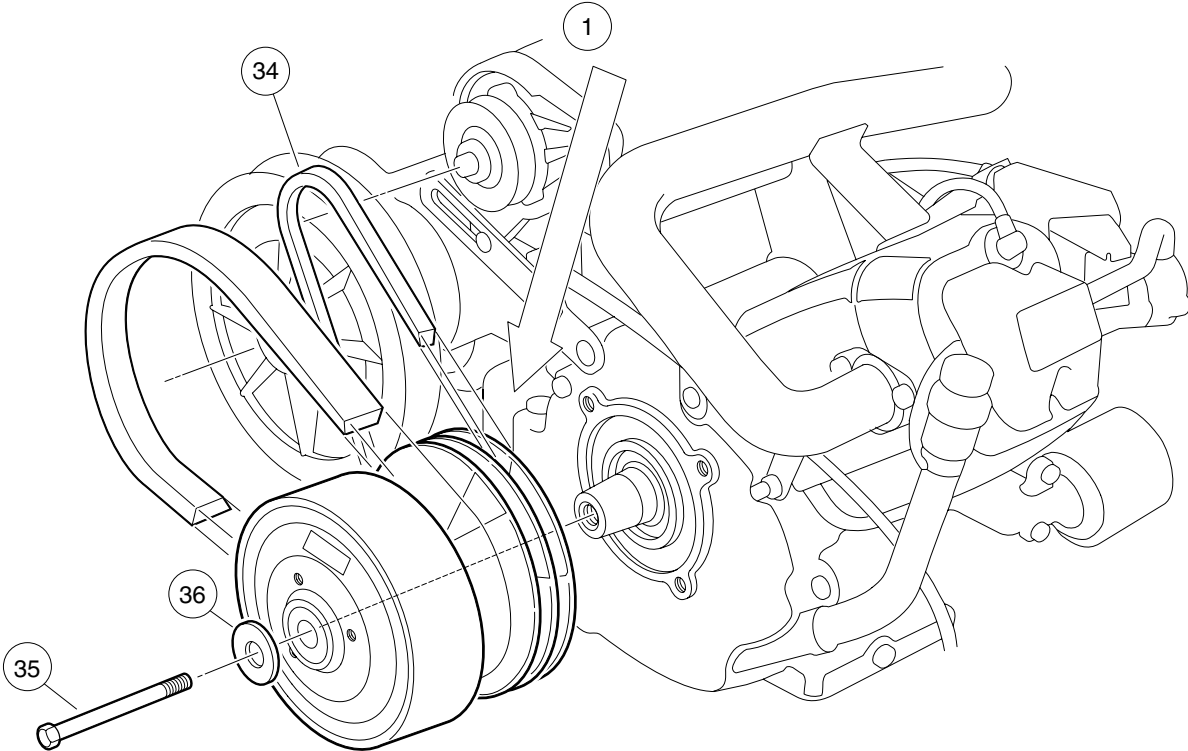
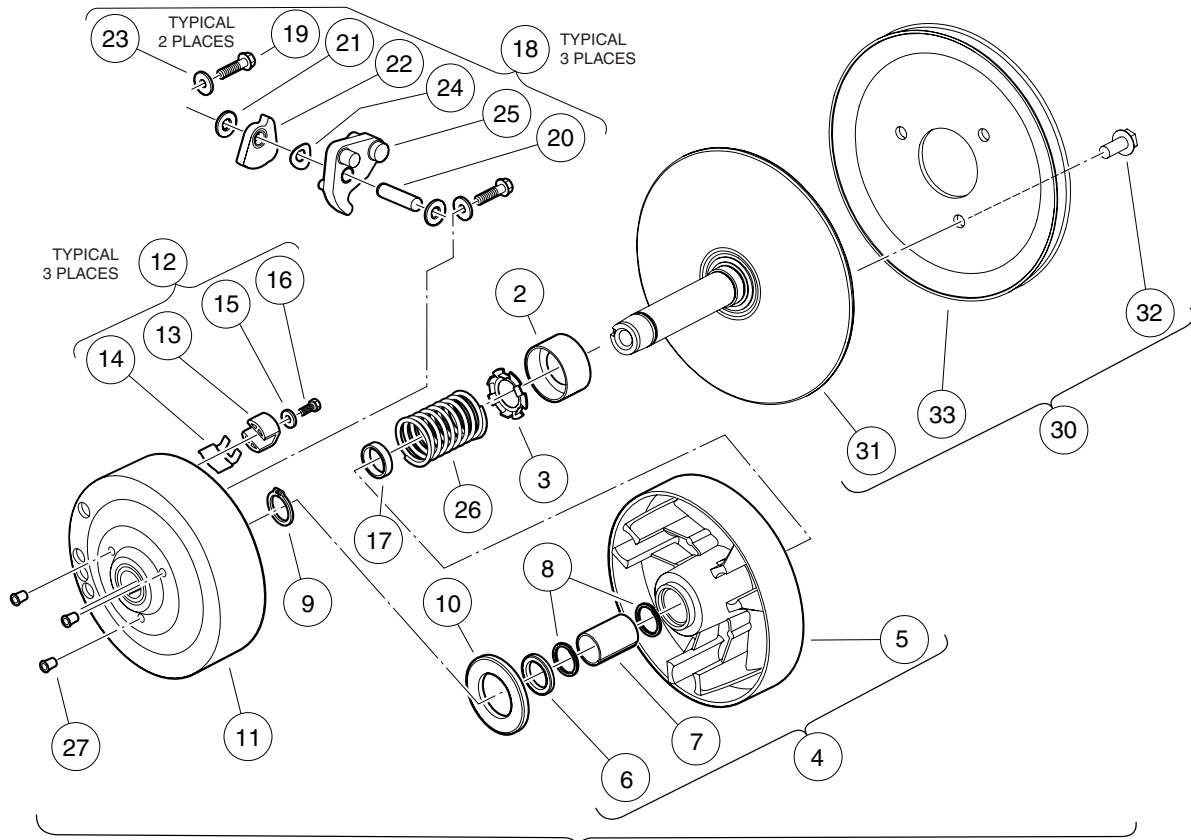
10

G

TORQUE CONVERTER

11

G



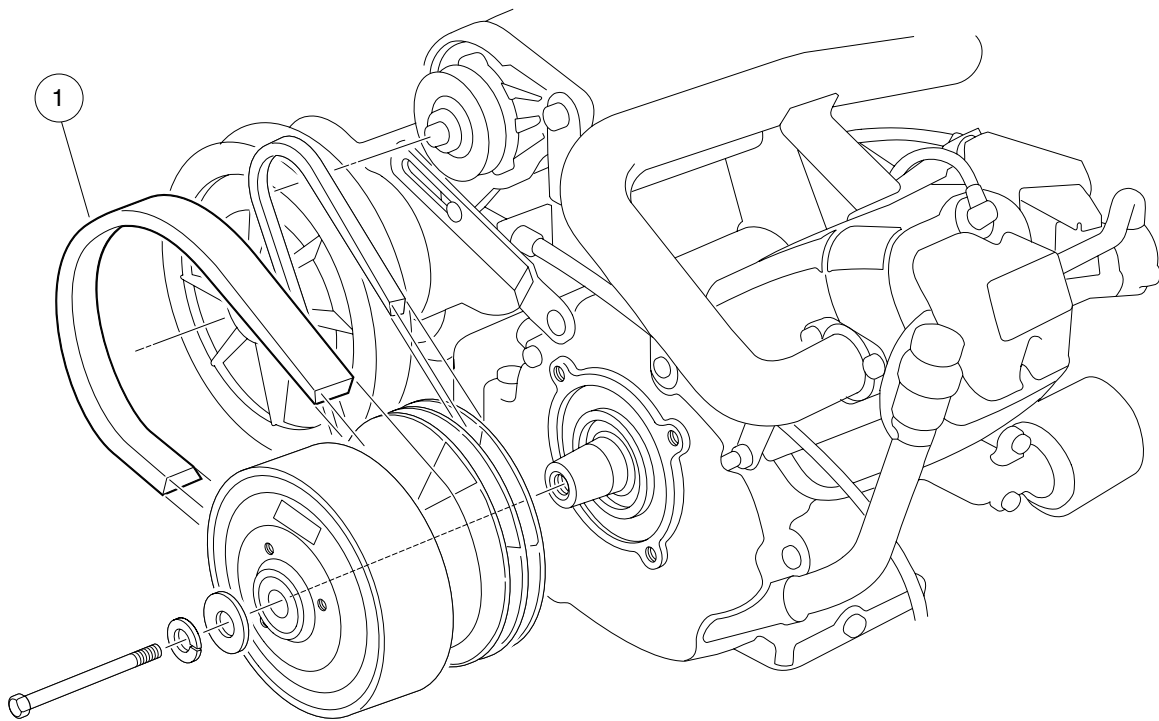
000217-003

DRIVE CLUTCH

11

G

ITEM	PART NO.	DESCRIPTION	QTY
		1 2 3 4	
1	603 00 31-93	Drive Clutch Assy. FE 350/272 (includes items 2 through 28)	1
2	603 00 01-95	Bearing, Idler	1
3	603 00 01-96	Retainer, Spring	1
4	603 00 01-97	Movable-Face Assembly (includes items 5 through 7)	1
5	N/A	Drive Clutch Movable Face	1
6	603 00 01-98	Retainer	1
7	N/A	Bushing, Split, Drive Clutch	1
8	603 00 01-99	Ring, Spiral Backup	2
9	603 00 02-00	Ring, 0.810" Internal Retaining	1
10	603 00 02-01	Washer, Thrust	1
11	603 00 02-02	Drive Hub Assy, Drive Clutch	1
12	603 00 02-27	Kit, Drive Clutch Button (includes items 13 through 16)	1
13	603 00 02-03	Driver, Drive Clutch	3
14	603 00 02-19	Spring, Drive Button	3
15	603 00 00-51	Washer, #10 Type A Flat	3
16	603 00 00-92	Screw, #10-24 X 0.50 Hex-Head	3
17	603 00 02-85	Spacer, Fixed Face Shaft	1
18	603 00 03-69	Kit, Drive Clutch Weight (includes items 19 through 25)	1
19	603 00 30-68	Screw, 1/4-20 X 1.00 Hex Head	6
20	N/A	Pin, 0.3752 X 1.50 Dowel	3
21	603 00 02-04	Washer, 0.38" ID Delrin Flat	6
22	N/A	Clutch Weight, Secondary	3
23	N/A	Washer	6
24	603 00 02-82	Washer, Wave	3
25	N/A	Weight, Primary	3
26	603 00 31-52	Spring, Drive Clutch	1
27	N/A	Cap Plug	3
28	603 00 23-61	Kit, Fxd Face Dr Asm Fe290/350 (includes items 29 and 30)	1
29	N/A	Desiccant Bag (Not Shown)	1
30	N/A	Assembly, Fixed-Face Drive (includes items 31 through 33)	1
31	N/A	Fixed Face Assembly, Drive Clutch	1
32	603 00 02-20	Screw, 5/16-18 X 0.75 Thread-Forming	3
33	N/A	Pulley, Clutch	1
34	603 00 05-89	V-Belt	1
35	603 00 43-80	Screw 3/8-24x5.5 Hex Loc Ptch	1
36	603 00 36-17	Washer, 3/8 Type B Flat	1
		Note: Item 29 not shown.	

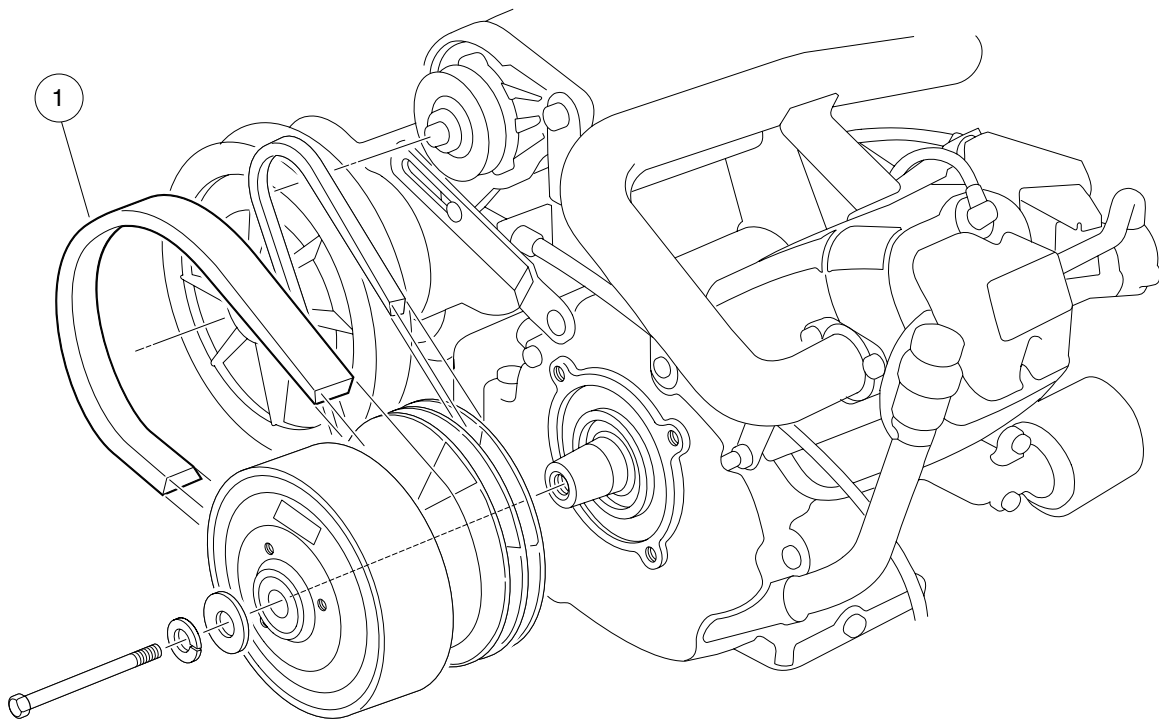


000218-001

DRIVE BELT – FE290

ITEM	PART NO.	DESCRIPTION	QTY
1	603 00 30-85	1 2 3 4 Belt, Drive	1

11
G

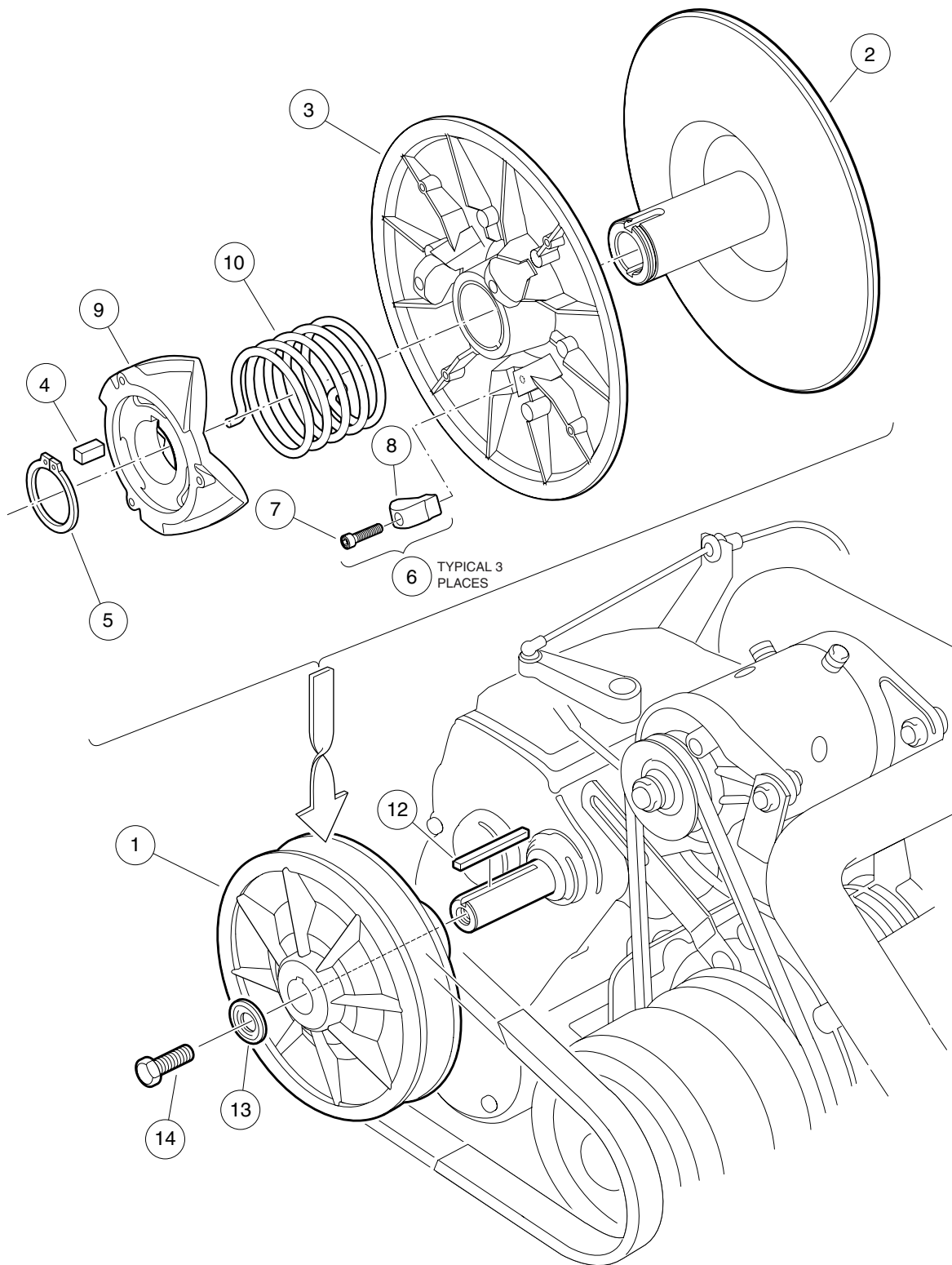


000218-001

DRIVE BELT – FE350

ITEM	PART NO.	DESCRIPTION	QTY
1	603 00 31-57	1 2 3 4 Belt, Drive (FE350)	1

11
G



000219-001

DRIVEN CLUTCH

ITEM	PART NO.	DESCRIPTION	QTY
		1 2 3 4	
1	603 00 05-18	Assembly, Driven Clutch (includes items 2 through 10)	1
2	603 00 02-05	Fixed Face Assy, Driven Clutch	1
3	603 00 02-06	Movable-Face Assembly with Bushing	1
4	603 00 02-07	Key, Driven Clutch	1
5	603 00 02-08	Ring, Retaining	1
6	603 00 20-66	Kit, Driven Clutch Button (includes items 7 and 8)	1
7	603 00 30-55	Screw, #8-32 X 3/4 Socket-Head Cap	3
8	N/A	Button, Drive	3
9	603 00 04-30	Cam, Driven Clutch	1
10	603 00 05-22	Spring, Driven Clutch, Reversed	1
11	603 00 03-91	Kit, Clutch Repair (includes items 12 through 14)	1
12	603 00 05-15	Key, 3/16 Sq X 1.50"	1
13	N/A	Washer, Driven Clutch	1
14	603 00 08-17	Screw, 5/16-18 X 3/4 Hex-Head with Patch	1

11
G

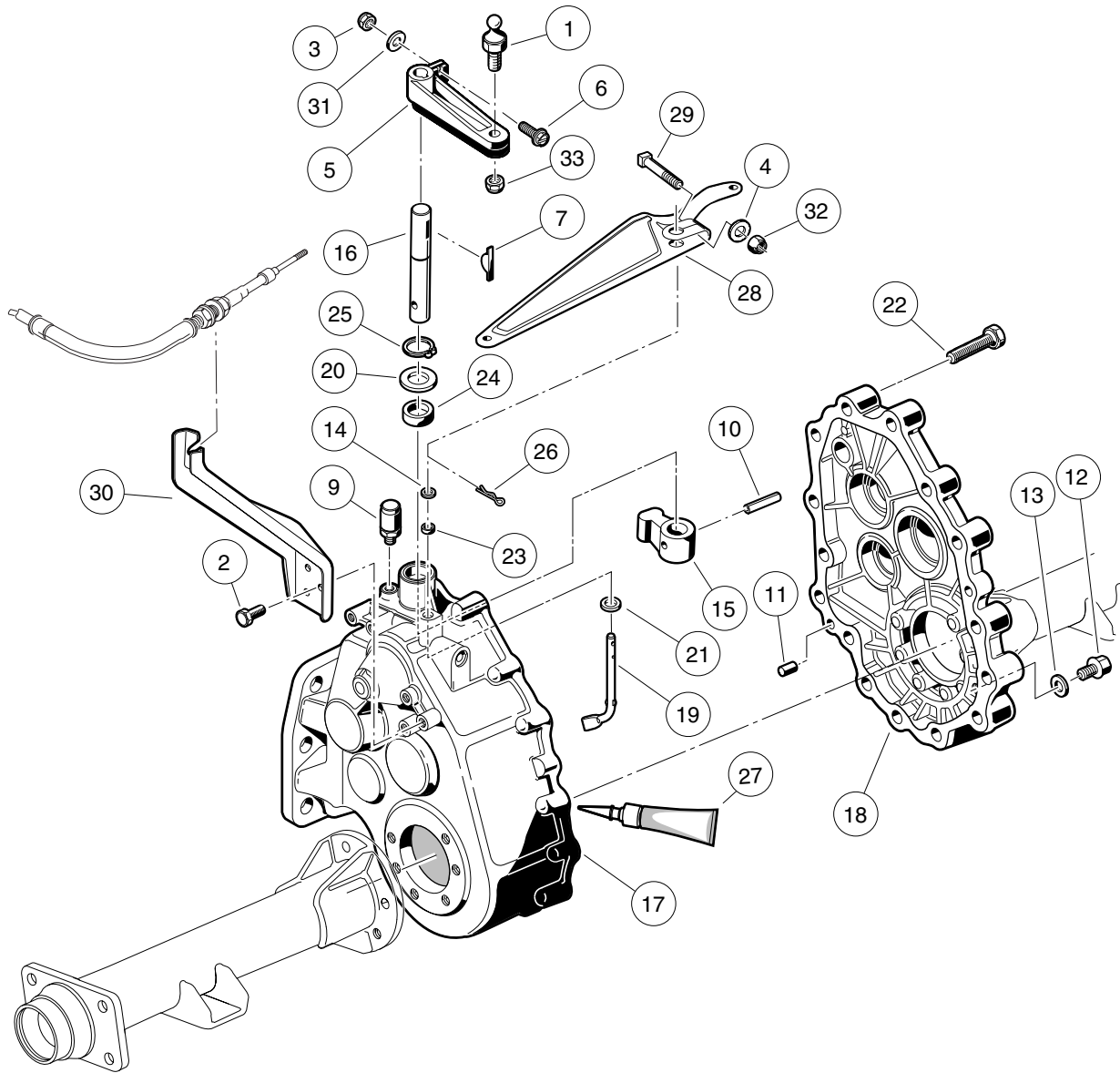
11

G

TRANSAXLE AND FNR SHIFTER- GASOLINE VEHICLE

12

G

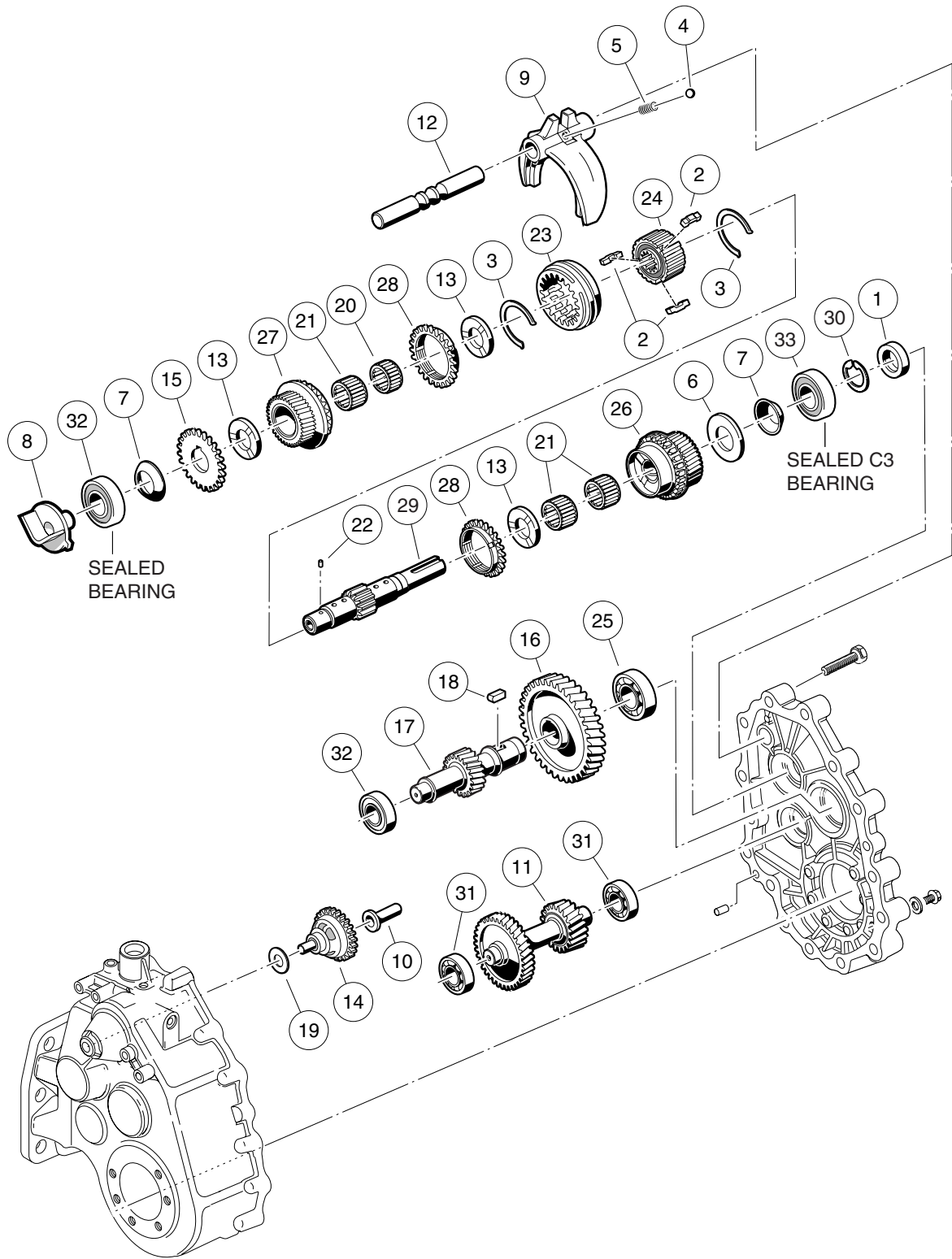


000220-001

TRANSAXLE – GASOLINE VEHICLES, GEAR CASES AND BRACKETS

ITEM	PART NO.	DESCRIPTION	QTY
		1 2 3 4	
1	603 00 01-17	Stud, 1/4-28 X 0.560 Ball	1
2	603 00 01-34	Screw, 1/4 X 0.625 Hex-Head	3
3	603 00 01-71	Locknut, #10-32 Nylon Insert	1
4	603 00 01-94	Washer, 1/4 Flat	1
5	603 00 02-88	Lever, Transmission Shift	1
6	603 00 03-83	Screw, #10-32 X 0.75, Hex-Head Machine	1
7	603 00 03-87	Key, Woodruff	1
8	603 00 31-92	Transaxle, 11.77 Ratio (includes items 9 through 27)	1
9	603 00 01-50	Breather	1
10	603 00 01-56	Roll Pin	1
11	603 00 01-59	Pin, Dowel	2
12	603 00 20-52	Fill Plug	2
13	603 00 02-95	Gasket, Drain Plug	1
14	603 00 03-29	Washer, M6 Flat	1
15	603 00 05-61	Lever, Change	1
16	603 00 05-62	Shaft - Change	1
17	603 00 32-07	Gear Case (driver side)	1
18	603 00 32-08	Gear Case (passenger side)	1
19	603 00 05-63	Arm Pivot	1
20	603 00 05-69	Washer	1
21	603 00 05-71	Washer	1
22	603 00 05-96	Screw, M8-1.25 X 40mm Hex-Head	15
23	603 00 05-97	Seal, Oil	1
24	603 00 05-98	Seal, Oil	1
25	603 00 05-99	Snap Ring	1
26	603 00 06-06	Pin, Cotter	1
27	603 00 06-07	Liquid Gasket (Transaxle case)	A/R
28	603 00 05-20	Arm, Governor	1
29	603 00 05-57	Screw, 1/4-20 X 1.00 Square-Head	1
30	603 00 32-33	Bracket, Shifter	1
31	603 00 00-51	Washer, #10 Type A Flat	1
32	603 00 00-89	Locknut, 1/4-20 Nylon Insert	1
33	603 00 00-94	Locknut, 1/4-28 Nylon Insert	1

12
G

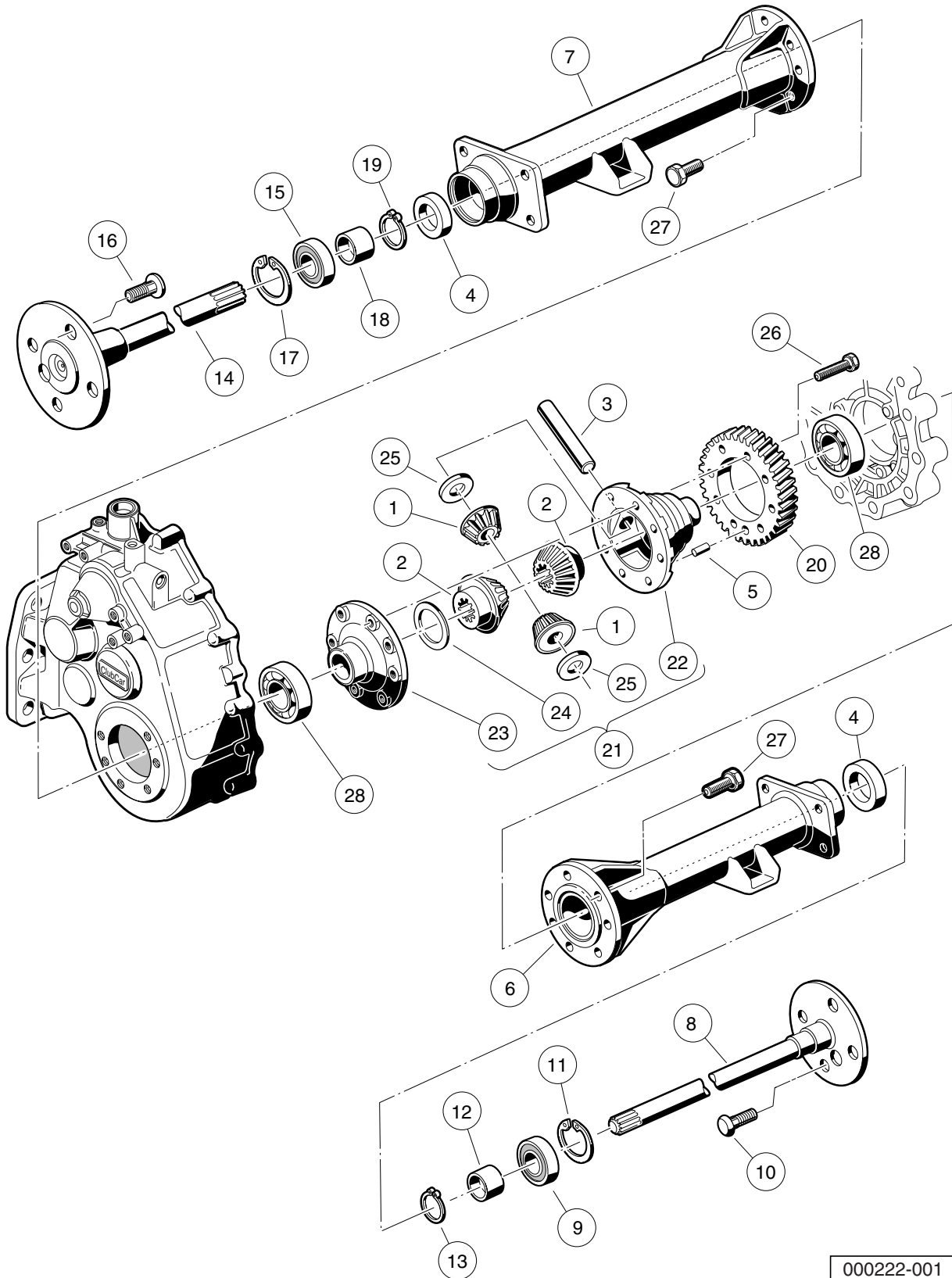


000221-001

TRANSAXLE – GASOLINE VEHICLES, TRANSMISSION AND GEAR REDUCTION

12
G

ITEM	PART NO.	DESCRIPTION	QTY
		1 2 3 4	
1	603 00 01-51	Oil Seal	1
2	603 00 01-52	Synchro Insert	3
3	603 00 01-53	Synchro Spring	2
4	603 00 01-54	Shifter Ball	1
5	603 00 01-55	Shifter Spring	1
6	603 00 02-86	Washer, Thrust	1
7	603 00 02-87	Washer, Spring	2
8	603 00 05-59	Guide	1
9	603 00 05-60	Fork - Shift	1
10	603 00 05-64	Sleeve, Governor	1
11	603 00 32-13	Gear, Cluster	1
12	603 00 05-65	Rod, Shift	1
13	603 00 05-66	Plate, Thrust	3
14	603 00 05-67	Governor Assembly	1
15	603 00 05-68	Gear, Spur	1
16	603 00 32-14	Gear, Helical (61 Tooth)	1
17	603 00 32-15	Gear, Helical (17 Tooth)	1
18	603 00 05-70	Key Sunk	1
19	603 00 05-72	Washer	1
20	603 00 06-00	Needle Bearing	1
21	603 00 06-01	Needle Bearing	3
22	603 00 06-02	Pin, .116" Dia X 0.264 Dowel	1
23	603 00 06-03	Sleeve, Synchro	1
24	603 00 06-04	Hub, Synchro Clutch	1
25	603 00 32-34	Bearing, Ball	1
26	603 00 06-22	Gear Assembly, 16-Degree Synchro (25 Tooth)	1
27	603 00 32-45	Gear Assembly, 16-Degree Rear Synchro (28 Tooth)	1
28	603 00 06-23	Ring, 16-Degree Synchronizer	2
29	603 00 10-82	Shaft, Trans, with Circlip	1
30	603 00 10-83	Circlip	1
31	603 00 00-76	Bearing	2
32	603 00 18-02	Bearing, Ball, Sealed	2
33	603 00 18-03	Bearing, Ball, Sealed	1
<p>Note: Items listed on this page are components of the unitized transaxle.</p>			

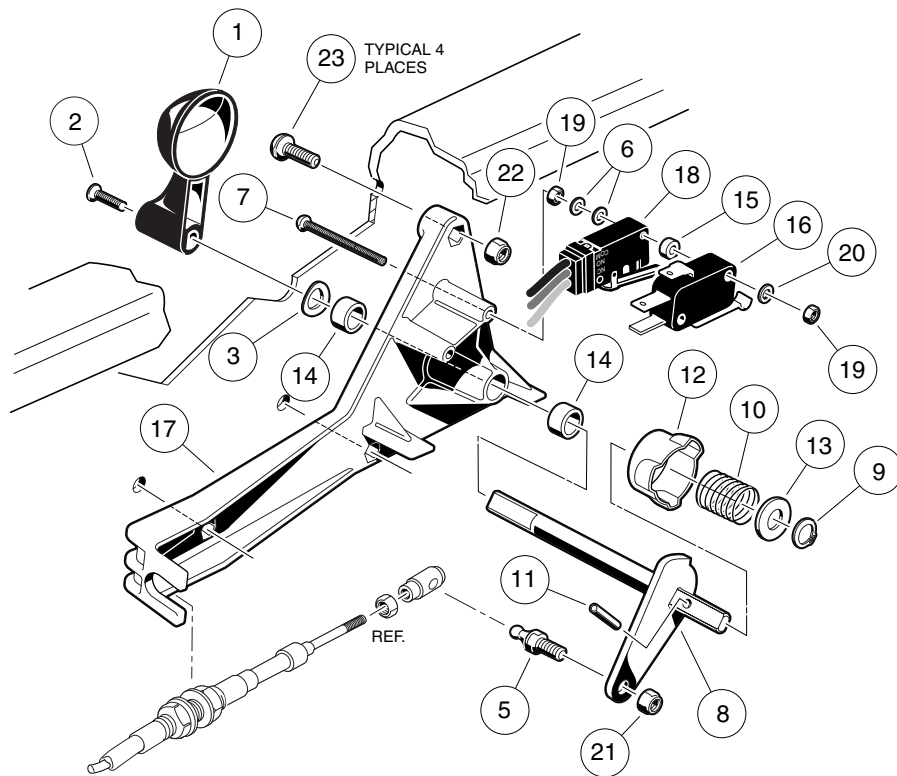


000222-001

TRANSAXLE – GASOLINE VEHICLES, DIFFERENTIAL AND AXLES

ITEM	PART NO.	DESCRIPTION	QTY
		1 2 3 4	
1	603 00 01-86	Differential Idler Gear	2
2	603 00 30-60	Gear, Differential	2
3	603 00 01-87	Pin, Differential	1
4	603 00 30-62	Axle Shaft Oil Seal	2
5	N/A	Dowel Pin	1
6	603 00 32-09	Pipe	1
7	603 00 32-10	Pipe	1
8	603 00 32-11	Axle Assembly, Passenger Side (includes items 9 through 13)	1
9	603 00 01-20	Outer Axle, Tube Bearing	1
10	603 00 01-89	Lug Stud	4
11	603 00 01-90	Circlip Type C	1
12	603 00 30-70	Bushing	1
13	603 00 31-51	Retaining Ring	1
14	603 00 32-12	Axle Assembly, Driver-Side (includes items 15 through 19)	1
15	603 00 01-20	Outer Axle, Tube Bearing	1
16	603 00 01-89	Lug Stud	4
17	603 00 01-90	Circlip Type C	1
18	603 00 30-70	Bushing	1
19	603 00 31-51	Retaining Ring	1
20	603 00 32-16	Gear, Helical	1
21	603 00 32-22	Kit, Differential Gear Case (includes items 22 through 25)	1
22	603 00 30-58	Differential Gear Case, Left-Hand	1
23	603 00 30-59	Differential Gear Case, Right-Hand	1
24	603 00 30-61	Plate, Thrust (Differential Gear)	1
25	603 00 01-88	Plate, Thrust (Idler Gear)	2
26	603 00 06-05	Screw, M8-1.25 X 35mm Hex Head	8
27	603 00 07-11	Bolt, M10 X 1.5 X 30mm	14
28	603 00 00-75	Inner Axle Tube Bearing	2
		Note: Items listed on this page are components of the unitized transaxle.	

12
G

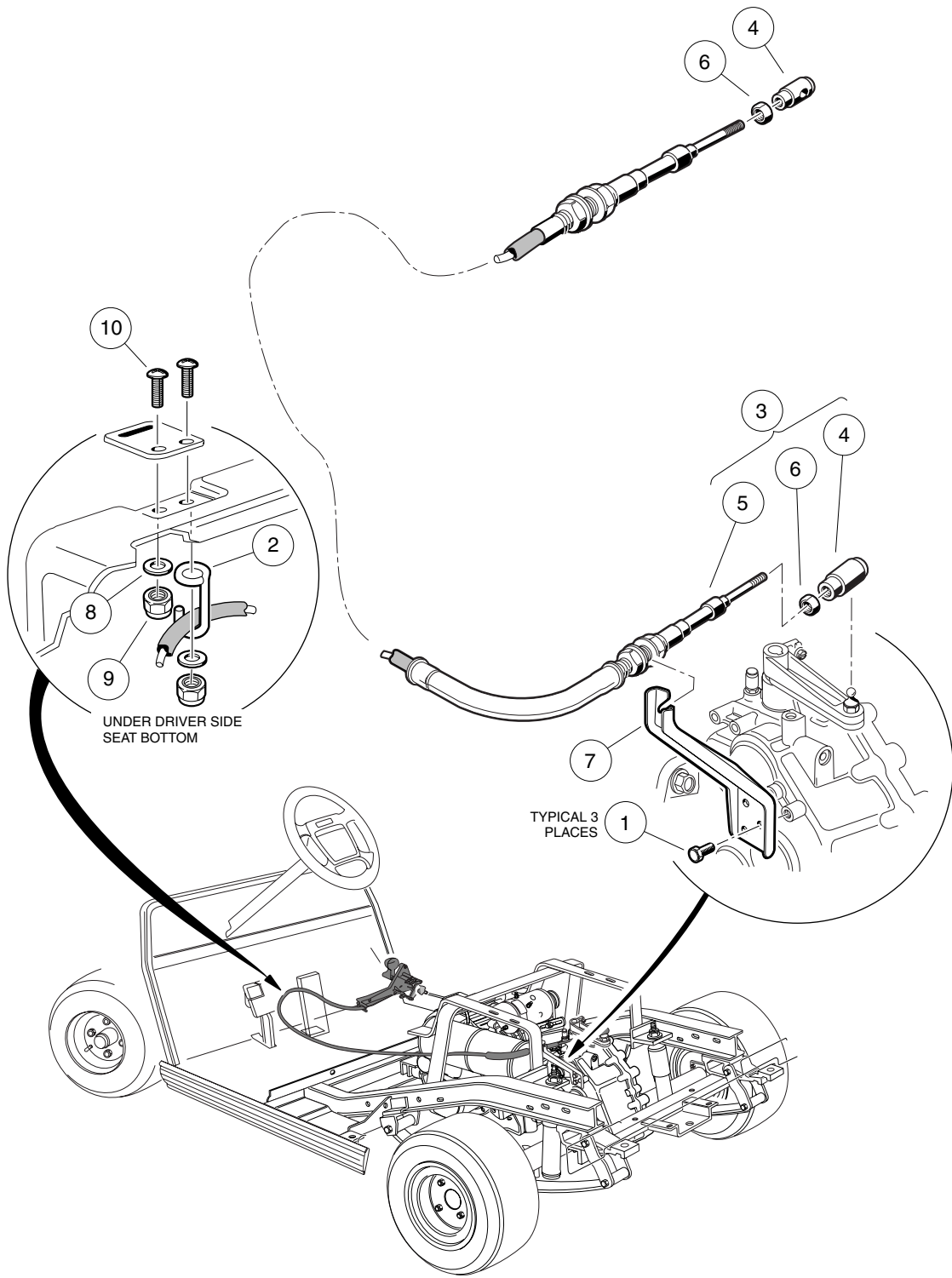


000236-001

FORWARD/REVERSE SHIFTER ASSEMBLY – GASOLINE VEHICLES

ITEM	PART NO.	DESCRIPTION	QTY
		1 2 3 4	
1	603 00 01-62	Handle, FNR	1
2	603 00 02-39	Screw, #8-32 X 0.63 Machine	1
3	603 00 02-82	Washer, Wave	1
4	603 00 03-78	Assembly, FNR Shifter (includes items 5 through 21)	1
5	603 00 01-17	Stud, 1/4-28 X 0.560 Ball	1
6	603 00 01-40	Washer, #4 Flat	4
7	603 00 01-46	Screw, #4-40 Machine	2
8	603 00 01-76	FNR Bell Crank Weldment	1
9	603 00 01-77	Ring, 0.338" Internal Retaining	1
10	603 00 01-78	Spring, FNR Cam	1
11	603 00 01-79	Pin, 1/8 X 1/2 Roll	1
12	603 00 02-09	Neutral Lockout Cam Kit (includes item 13)	1
13	603 00 02-04	Washer, 0.38" ID Delrin Flat	1
14	603 00 02-15	Bushing, Secondary Weight, Split	2
15	603 00 02-34	Washer, #4 Nylon Flat	2
16	603 00 02-35	Switch, Limit	1
17	603 00 02-89	FNR Shifter Base	1
18	603 00 06-21	Assembly, Switch, Limit	1
19	603 00 00-86	Nut, #4-40 Hex Machine	4
20	603 00 00-87	Lockwasher, #4 Helical Split	2
21	603 00 00-94	Locknut, 1/4-28 Nylon Insert	1
22	603 00 00-89	Locknut, 1/4-20 Nylon Insert	4
23	603 00 00-90	Screw, 1/4-20 X 0.75 Truss-Head Machine	4

12
G



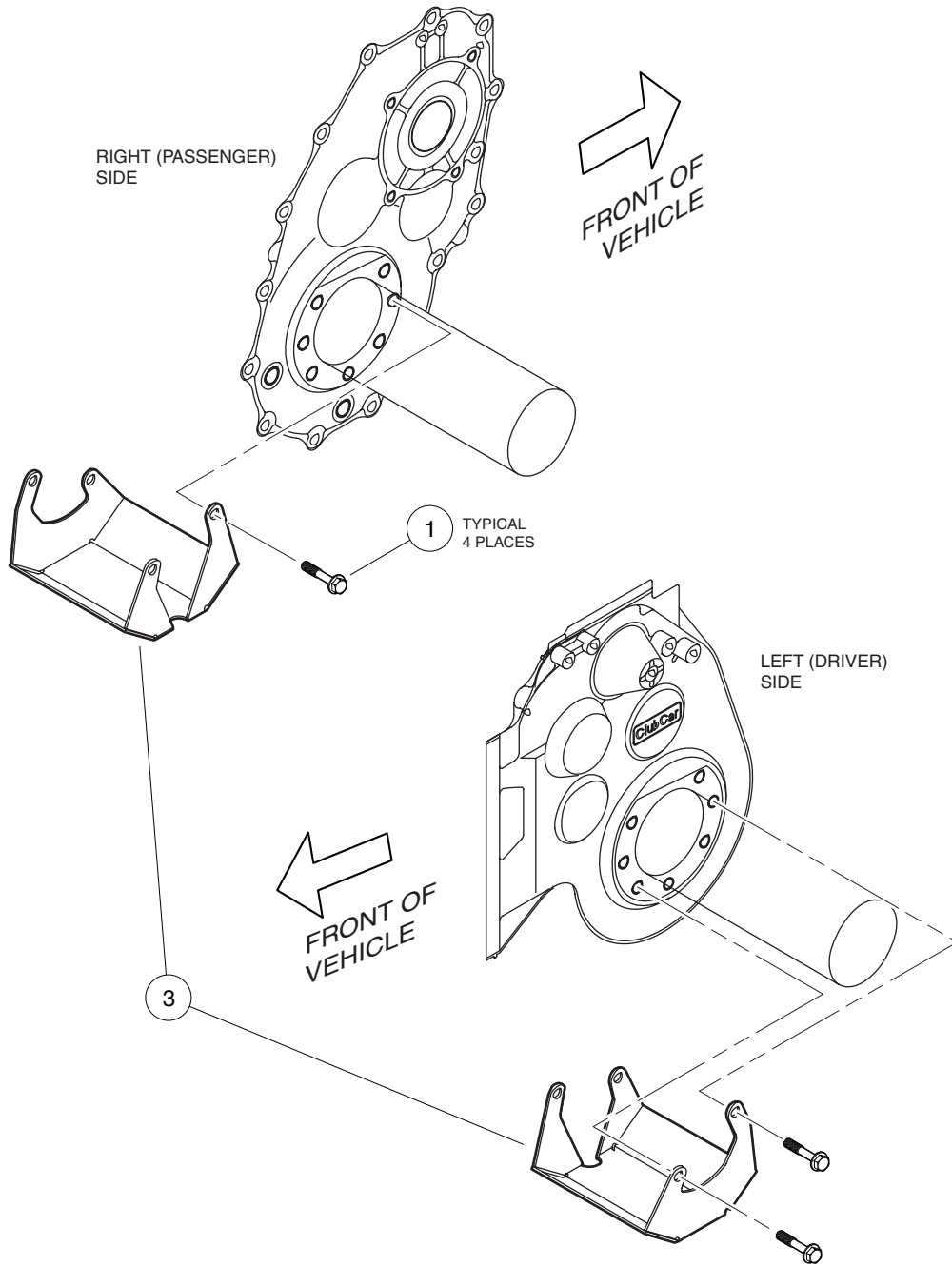
000248-001

FORWARD/REVERSE SHIFTER CABLE – GASOLINE VEHICLES

ITEM	PART NO.	DESCRIPTION	QTY
		1 2 3 4	
1	603 00 01-34	Screw, 1/4 X 0.625 Hex-Head	3
2	603 00 31-95	Cable Retainer	1
3	603 00 22-43	FNR Shifter Cable (includes items 4 through 6)	1
4	603 00 01-37	Joint, #10-32 Ball	2
5	N/A	Cable, Forward/Reverse Shifter	1
6	603 00 00-84	Nut, #10-32 Hex	2
7	603 00 32-33	Bracket, Shifter	1
8	603 00 00-54	Washer, 1/4 Type A Narrow Flat	4
9	603 00 00-89	Locknut, 1/4-20 Nylon Insert	4
10	603 00 00-91	Screw, 1/4-20 X 1.0 Truss-Head Machine	4

12

G



000366-001

DIFFERENTIAL GUARD

ITEM	PART NO.	DESCRIPTION	QTY
		1 2 3 4	
1	603 00 05-96	Screw, M8-1.25 X 40mm Hex-Head	4
2	603 00 36-36	Diff Guard Unitized Kit (Includes Instructions) (includes item 3)	1
3	N/A	Guard, Unitized Differential	1

12

G

12

G

MAINTENANCE AND SERVICE TOOLS

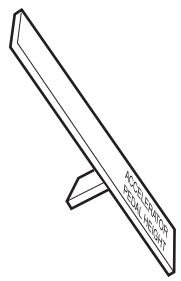
13

G

E

D

13
G
E
D



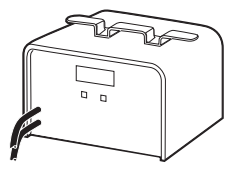
1



2



3



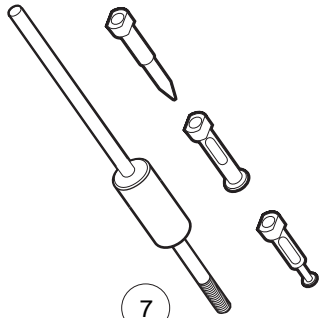
4



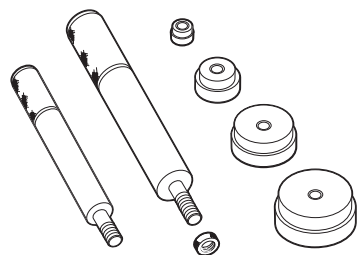
5



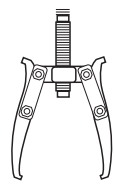
6



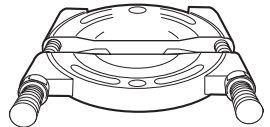
7



8



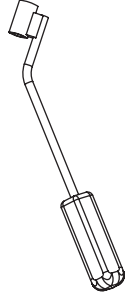
9



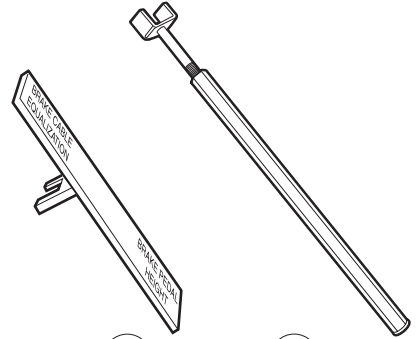
10



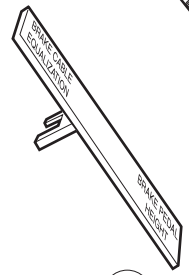
11



12

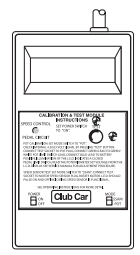


13

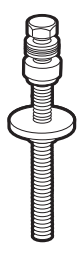


14

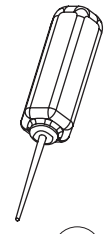
15



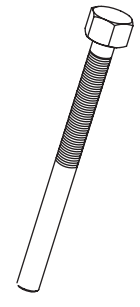
16



17



18



19

MAINTENANCE AND SERVICE TOOLS

ITEM	PART NO.	DESCRIPTION	QTY DIESEL	QTY GAS	QTY ELEC
		<p style="text-align: center;">1 2 3 4</p> <p>The following tool list includes all tools available from Husqvarna for maintenance and service procedures for gasoline, electric, and/or diesel vehicles, both past and present models. Be sure to carefully examine the tool list for applicability to your vehicle before ordering.</p>			
1	603 00 18-32	Accelerator Pedal Adjustment Tool		1	1
2	603 00 18-33	Adhesive, Guide Ring, 3-Gram Tube			1
3	603 00 18-34	Arbor		1	
4	603 00 18-35	Battery Discharge Machine, 36/48 Volt			1
5	603 00 00-03	Battery Terminal Protector Spray	1	1	1
6	603 00 18-37	Battery Thermometer	1	1	1
7	603 00 18-38	Bearing and Oil Seal Remover Assembly	1	1	1
8	603 00 18-39	Bearing Driver Set	1	1	1
9	603 00 18-40	Bearing Puller	1	1	1
10	603 00 18-41	Bearing Puller Wedge Attachment	1	1	1
11	603 00 18-42	Brake Adjustment Tool (used only on vehicles with manually adjusted mechanical brakes)		1	1
12	603 00 18-43	Brake Cable Release Tool	1	1	1
13	603 00 18-44	Brake Pedal Adjustment Tool Kit (includes items 14 and 15)			1
14	****	Brake Pedal Adjustment Tool			1
15	****	Brake Pedal Tension Tool			1
16	603 00 18-46	Calibration Test Module			1
17	603 00 18-47	Cam Installation Tool		1	
18	603 00 18-48	Charger Bezel Tool			1
19	603 00 18-49	Clutch Removal Tool (for 4x4 vehicles)	1	1	
		<p>Please refer to the maintenance and service manual for proper tool application.</p> <p>**** Special order item available upon request</p>			

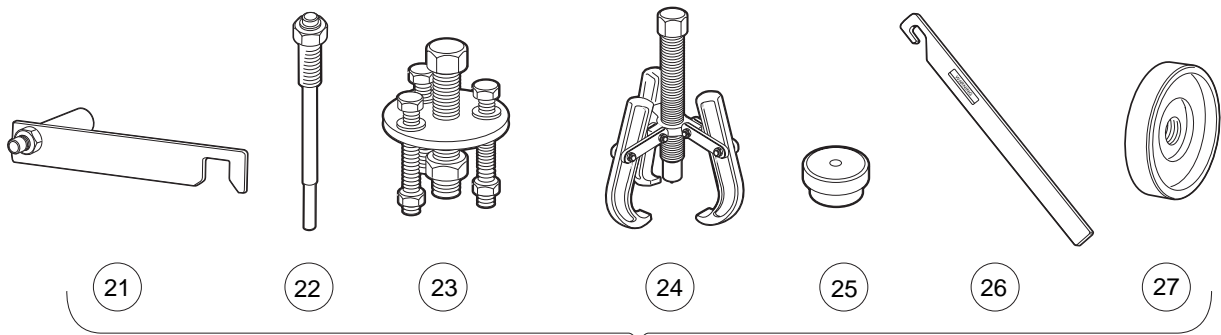
13

G

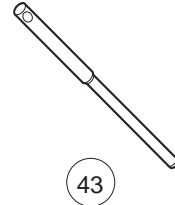
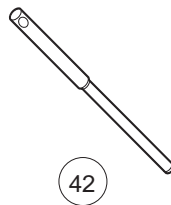
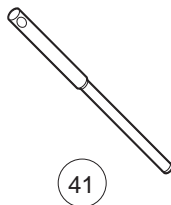
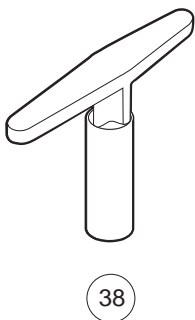
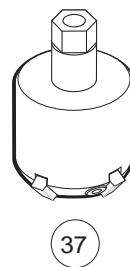
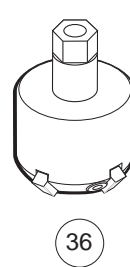
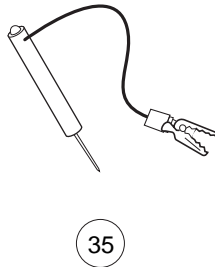
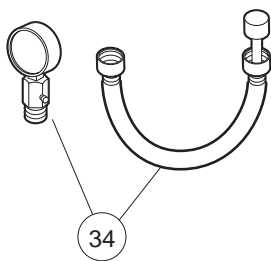
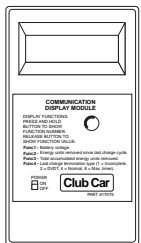
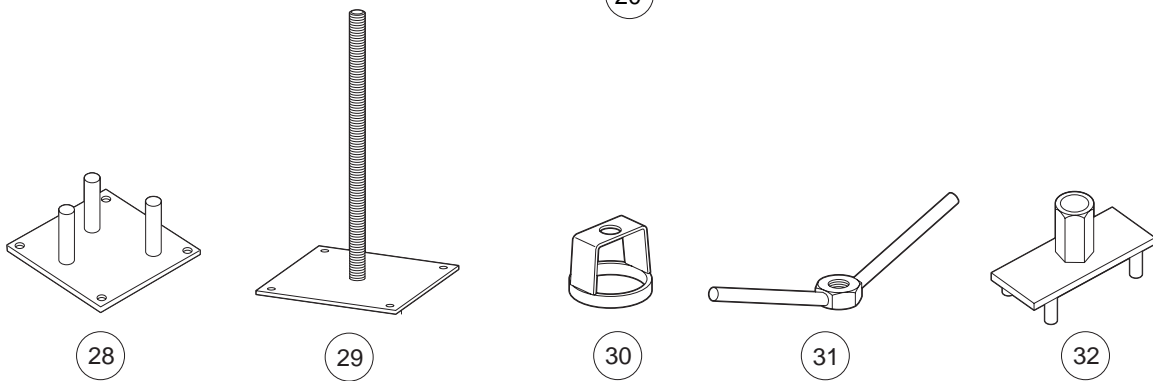
E

D

13
G
E
D



20



MAINTENANCE AND SERVICE TOOLS, CONTINUED

ITEM	PART NO.	DESCRIPTION	QTY DIESEL	QTY GAS	QTY ELEC
		1 2 3 4			
20	603 00 18-50	Clutch Tool Kit (includes items 21 - 27)		1	
21	603 00 18-51	Clutch Alignment Tool (for pre-unitized transaxle vehicles built prior to 1997 model year)		1	
22	603 00 18-52	Drive Clutch Puller (for Kawasaki engines only)		1	
23	603 00 18-53	Drive Clutch Hub Puller (for Kawasaki engines only)		1	
24	603 00 18-54	Driven Clutch Cam Puller (for Kawasaki engines only)		1	
25	603 00 18-55	Driven Clutch Puller Plug (for Kawasaki engines only)		1	
26	603 00 18-56	Drive Clutch Holder Tool Assembly (for Kawasaki engines only)		1	
27	603 00 18-57	Press Weldment (for Kawasaki engines only)		1	
28	603 00 18-58	Drive ClutchFixed Sheave Tool (for 4x4 vehicles)			1
29	603 00 18-60	Driven Clutch Spring Compression Base (for use with items 30 and 31) (for 4x4 vehicles)	1	1	
30	603 00 18-61	Driven Clutch Spring Compression Collar (for use with items 29 and 31) (for 4x4 vehicles)	1	1	
31	603 00 18-62	Driven Clutch Spring Compression Nut (for use with items 29 and 30) (for 4x4 vehicles)	1	1	
32	603 00 18-59	Drive Clutch Spider Removal Tool (for 4x4 vehicles)	1	1	
33	603 00 18-63	Communication Display Module			1
34	603 00 18-64	Compression Gauge and Adapter		1	
35	603 00 18-67	Continuity Tester		1	1
36	603 00 29-35	Cutter, Valve Seat, #122		1	
37	603 00 29-36	Cutter, Valve Seat #115		1	
38	603 00 29-38	Wrench, T, #505		1	
39	603 00 29-38	Adapter, T-Wrench.....		1	
40	603 00 18-75	Cutter, Valve Seat, 60 Degree (requires item 51) (for Honda GX620 Gasoline Engines)		1	
41	603 00 29-39	Pilot, 6.6 MM.....		1	
42	603 00 29-40	Pilot, 6.62 MM.....		1	
43	603 00 29-41	Pilot, 6.65 MM.....		1	
		Please refer to the maintenance and service manual for proper tool application.			

13

G

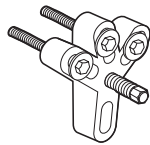
E

D

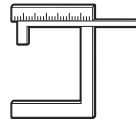
13
G
E
D



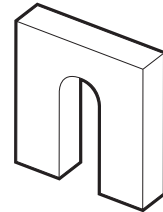
44



45



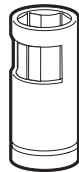
46



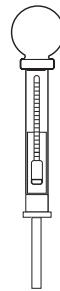
47



48



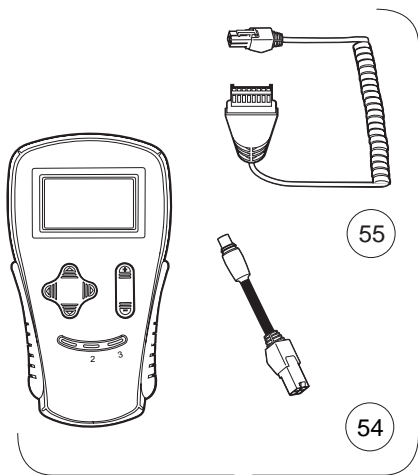
49



50



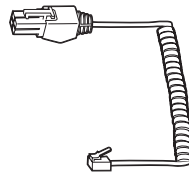
51



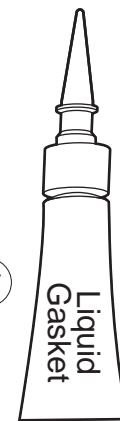
52 53

55

54



56



57



58



59 60



61

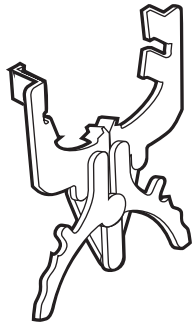
MAINTENANCE AND SERVICE TOOLS, CONTINUED

ITEM	PART NO.	DESCRIPTION	QTY	QTY	QTY	13
			DIESEL	GAS	ELEC	
		1 2 3 4				G
44	603 00 00-01	Dry Moly Lubricant	1	1	1	
45	603 00 18-81	Flywheel Puller Kit (for Kawasaki Engines)		1		D
46	603 00 18-83	Gauge, Carburetor Float Level (for Honda GX620 Gasoline Engines)		1		
47	603 00 18-86	Gear Yoke	1	1	1	
48	603 00 18-87	Governor Shaft Installation Tool (for Kawasaki Engine Vehicles)		1		
49	603 00 18-89	Hydraulic Brake Adjuster (for HUV 4213)			1	
50	603 00 18-90	Hydrometer	1	1	1	
51	603 00 18-92	Internal Retaining Ring Pliers	1	1	1	
52	603 00 26-87	IQ Display Module (IQDM) Kit (for electric vehicles only)			1	
		(includes items 54 and 55)				
53	603 00 33-69	IQ Display Module (IQDM-P) Kit (for electric vehicles only)			1	
		(includes items 54 and 55)				
54	603 00 18-94	Adaptor, Cable			1	
55	603 00 18-95	IQDM Series 2 Cable			1	
56	603 00 18-96	IQDM Series 1 Cable (replacement)			1	
57	603 00 06-07	Liquid Gasket (transaxle case)	1	1	1	
58	603 00 29-92	Moly-Teflon Lubricant (4-oz. (113-gram) tube)			1	
59	603 00 33-70	Paint, Touch-Up – Beige		1	1	
59	603 00 33-71	Paint, Touch-Up – Black		1	1	
59	603 00 33-72	Paint, Touch-Up – Burgundy		1	1	
59	603 00 33-73	Paint, Touch-Up – Classic Blue (Navy)		1	1	
59	603 00 33-74	Paint, Touch-Up – Dark Gray	1	1	1	
59	603 00 33-75	Paint, Touch-Up – Dark Green	1	1	1	
59	603 00 33-76	Paint, Touch-Up – Gray	1	1	1	
59	603 00 33-77	Paint, Touch-Up – Red	1	1	1	
59	603 00 33-78	Paint, Touch-Up – Royal Blue (Pacific Blue)		1	1	
59	603 00 33-79	Paint, Touch-Up – White	1	1	1	
60	603 00 33-80	Paint, Precedent Underbody – Gray.....		1	1	
61	603 00 33-81	Paint Pen, Touch-Up, Precedent Underbody – Black.....		1	1	
		Please refer to the maintenance and service manual for proper tool application.				

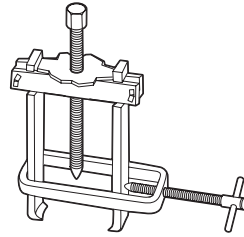
13
G
E
D



62



63



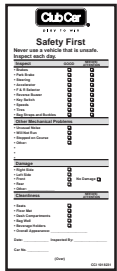
64



65



66



67



68



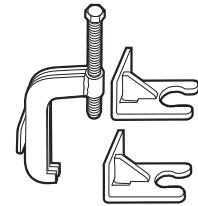
69



70



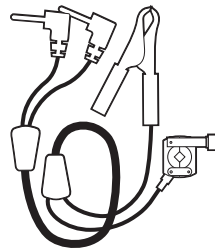
71



72



73



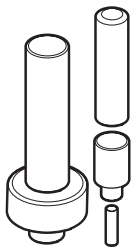
74



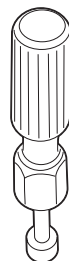
75



76



77



83



84



85



86

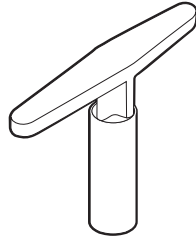
MAINTENANCE AND SERVICE TOOLS, CONTINUED

ITEM	PART NO.	DESCRIPTION	QTY	QTY	QTY	13
			DIESEL	GAS	ELEC	
		1 2 3 4				
62	603 00 19-10	Piston Ring Compressor Kit (FE290, FE350 and FE400 engines)		1		
63	603 00 19-11	Piston Ring Pliers (for Kawasaki Engines)		1		
64	603 00 19-13	Puller, Special Use (for Kubota D722 Diesel Engines)	1			E
65	603 00 19-14	Retaining Ring Pliers, 45° External	1	1	1	
66	603 00 19-15	Retaining Ring Pliers, 90° Internal	1	1	1	
67	603 00 19-16	Safety First Card (50 per pack)	1	1	1	
68	603 00 19-17	Seal Puller	1	1	1	
69	603 00 19-18	Spanner Wrench (for coil over shock front suspension vehicles only)	1	1		
70	603 00 19-19	Steering Column Bearing Press Tool		1	1	
71	603 00 19-20	Steering Column Retaining Ring Tool		1	1	
72	603 00 19-21	Steering Wheel Puller Tool	1	1	1	
73	603 00 20-07	Tachometer (includes gasoline engine pick up lead only)	1	1		
74	603 00 19-23	Tachometer Diesel Probe (for use with item 73)	1			
75	603 00 19-24	Transaxle Axle Seal Tool		1		
76	603 00 19-25	Transaxle Pinion Seal Tool		1		
77	603 00 19-26	Transmission Tool Kit		1		
78	603 00 00-05	Tune-Up Kit, All OHV (for Kawasaki Engines) (includes air filter, spark plug, oil filter, fuel filters) (not shown)		1		
79	603 00 00-35	Tune-Up Kit, Gx620 (for Honda Engines) (includes air filter, spark plug, oil filter, fuel filters) (not shown)		1		
80	603 00 00-40	Tune-Up Kit, D722 (for Kubota Engines) (includes air filter, oil filter, fuel filters, water separator filter) (not shown)	1			
81	603 00 36-13	Tune-Up Kit, Precedent (for FE290/350 Engines) (includes air filter, spark plug, oil filter, fuel filters) (not shown)			1	
82	603 00 19-28	Valve Clearance Adjuster Screw Holder (for FE290 engines only)		1		
83	603 00 19-29	Valve Guide Driver (for Honda GX620 Gasoline Engines)		1		
84	603 00 19-30	Valve Guide Reamer (FE290, FE350, and FE400 only).....		1		
85	603 00 19-31	Valve Guide Reamer, 6.6 mm (for Honda GX620 Gasoline Engines)		1		

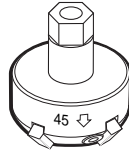
13
G
E
D



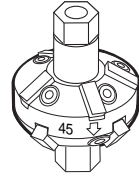
87



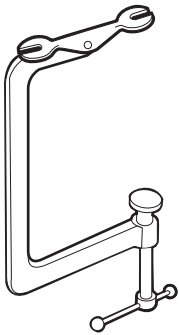
88



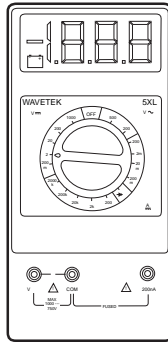
89



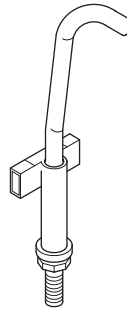
90



91



92



93

MAINTENANCE AND SERVICE TOOLS, CONTINUED

ITEM	PART NO.	DESCRIPTION	QTY DIESEL	QTY GAS	QTY ELEC
		1 2 3 4			
86	603 00 19-27	Valve Seat Cutter Guide		1	
87	603 00 18-78	Valve Seat Cutter T-Wrench		1	
88	603 00 18-36	Valve Seat Cutter, 45° (32 mm diameter) (for FE290 engines only)		1	
89	603 00 01-00	Valve Seat Cutter, 45°/30° (35 mm diameter)		1	
90	603 00 00-43	Valve Spring Compressor		1	
91	603 00 00-38	Volt Ohm Meter	1	1	1
92	603 00 27-87	Tool, Tensioning, Starter Generator (For gasoline vehicles)		1	

13

G

E

D

