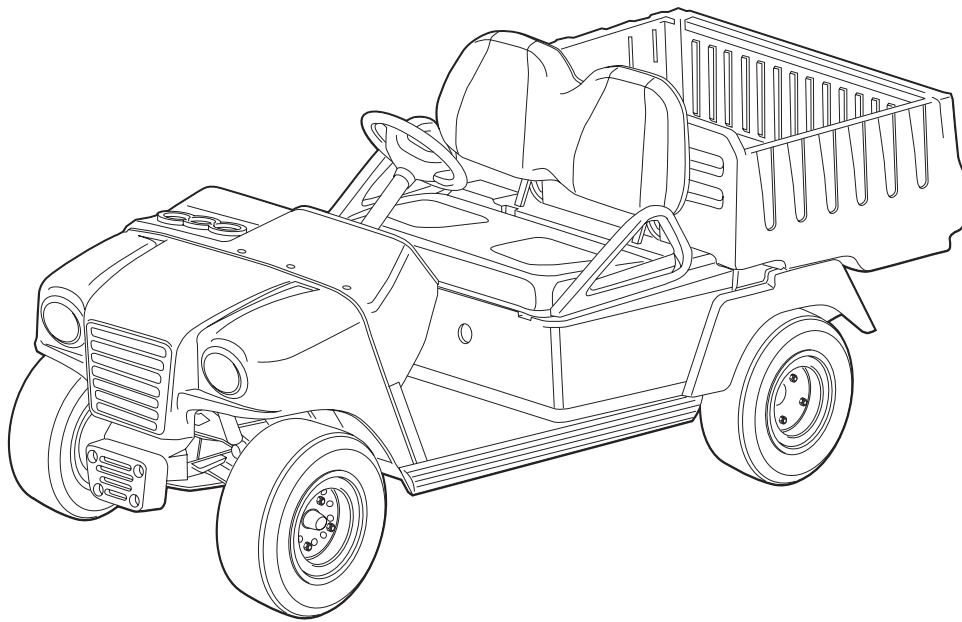




**2005-2006**  
**HUV4210-G, HUV4210-GXP**  
**Illustrated Parts List**



**Gasoline Vehicles**

Manual Number 603003327  
Edition Code 0705F0108E

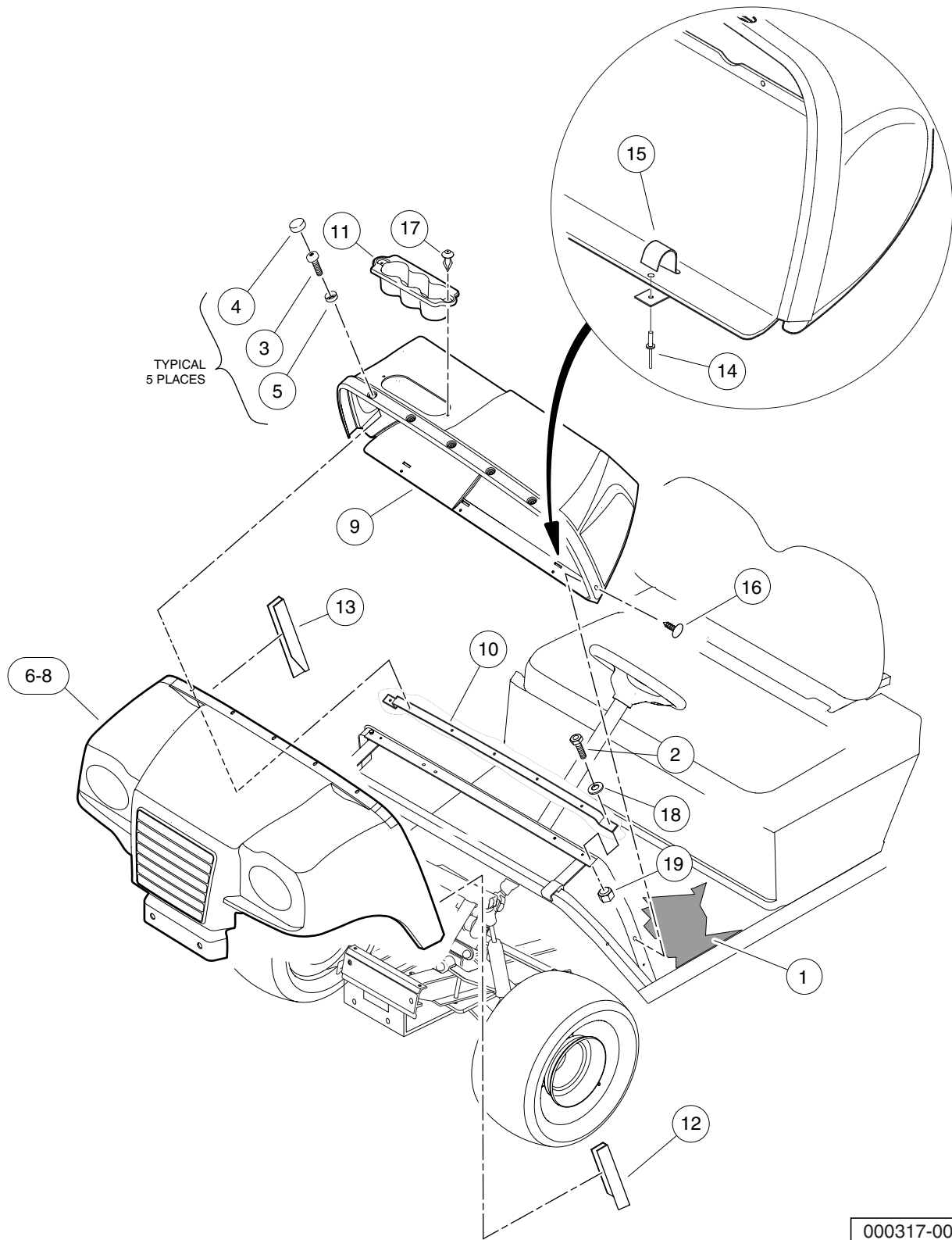
# BODY AND TRIM

---

1

G

**1**  
**G**



000317-001

# FRONT BODY

ITEM	PART NO.	DESCRIPTION	QTY
		1 2 3 4	
1	603 00 30-81	Floormat .....	1
2	603 00 32-40	Screw, 1/4-20 X 0.75 Hex-Head Cap .....	2
3	603 00 06-96	Screw, 1/4-20 X .75 Torx Pn Hd .....	5
4	603 00 07-29	Cap, 1/4" Plastic Screw Head .....	5
5	603 00 07-37	Washer, 1/4 Id Scalloped Plast .....	5
6	603 00 32-72	Cowl, Orange .....	1
7	603 00 30-24	Cowl, 4210, Camo .....	1
8	102 76 66-05	Cowl, 4210, Olive Green .....	1
9	603 00 32-73	Dash .....	1
10	603 00 32-76	Support, Upper Cowl .....	1
11	603 00 32-79	Object Holder .....	1
12	603 00 32-89	Cowl Cover, Driver-Side .....	1
13	603 00 32-90	Cowl Cover, Passenger-Side .....	1
14	603 00 32-96	Rivet .....	3
15	603 00 23-68	Clip, Dash .....	3
16	531 30 71-52	Push Pin, Black .....	2
17	603 00 06-95	Rivet, Removable, Tuflok 1/4" .....	2
18	603 00 00-54	Washer, 1/4 Type A Narrow Flat .....	2
19	603 00 00-89	Locknut, 1/4-20 Nylon Insert .....	2

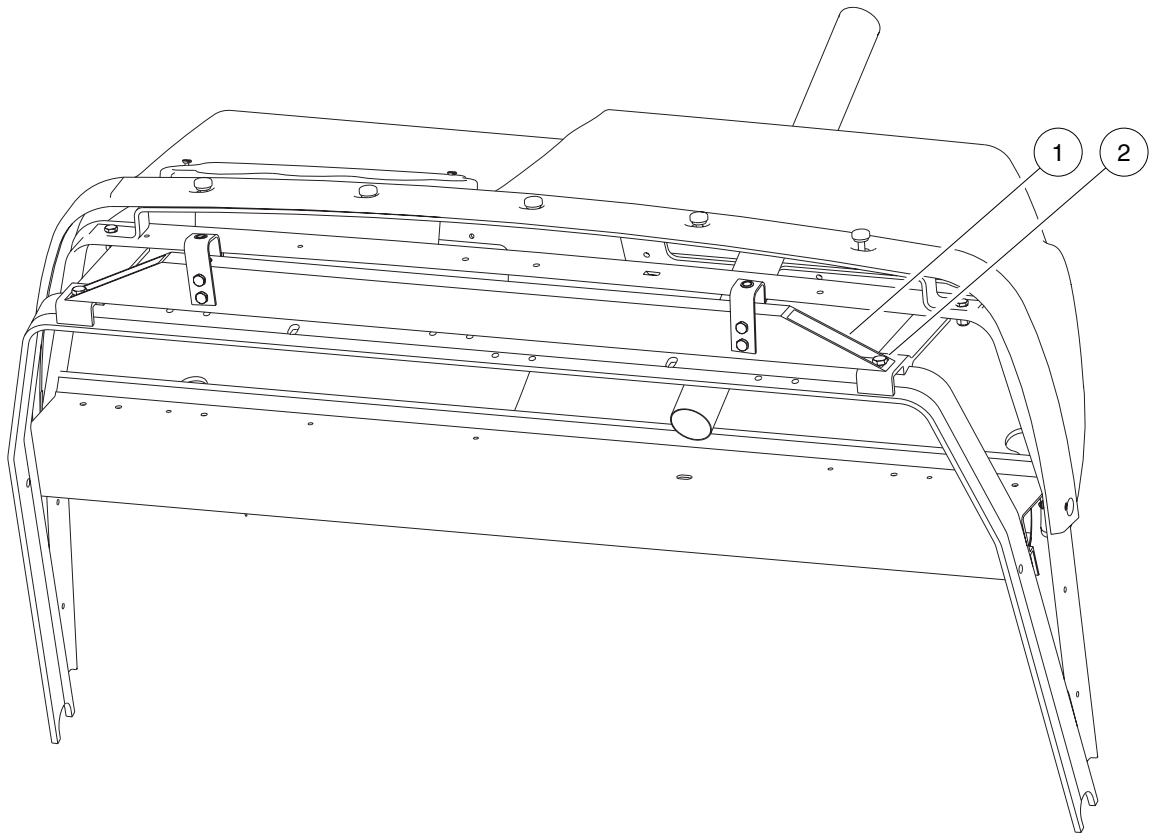
1

G



1

G



000582-002

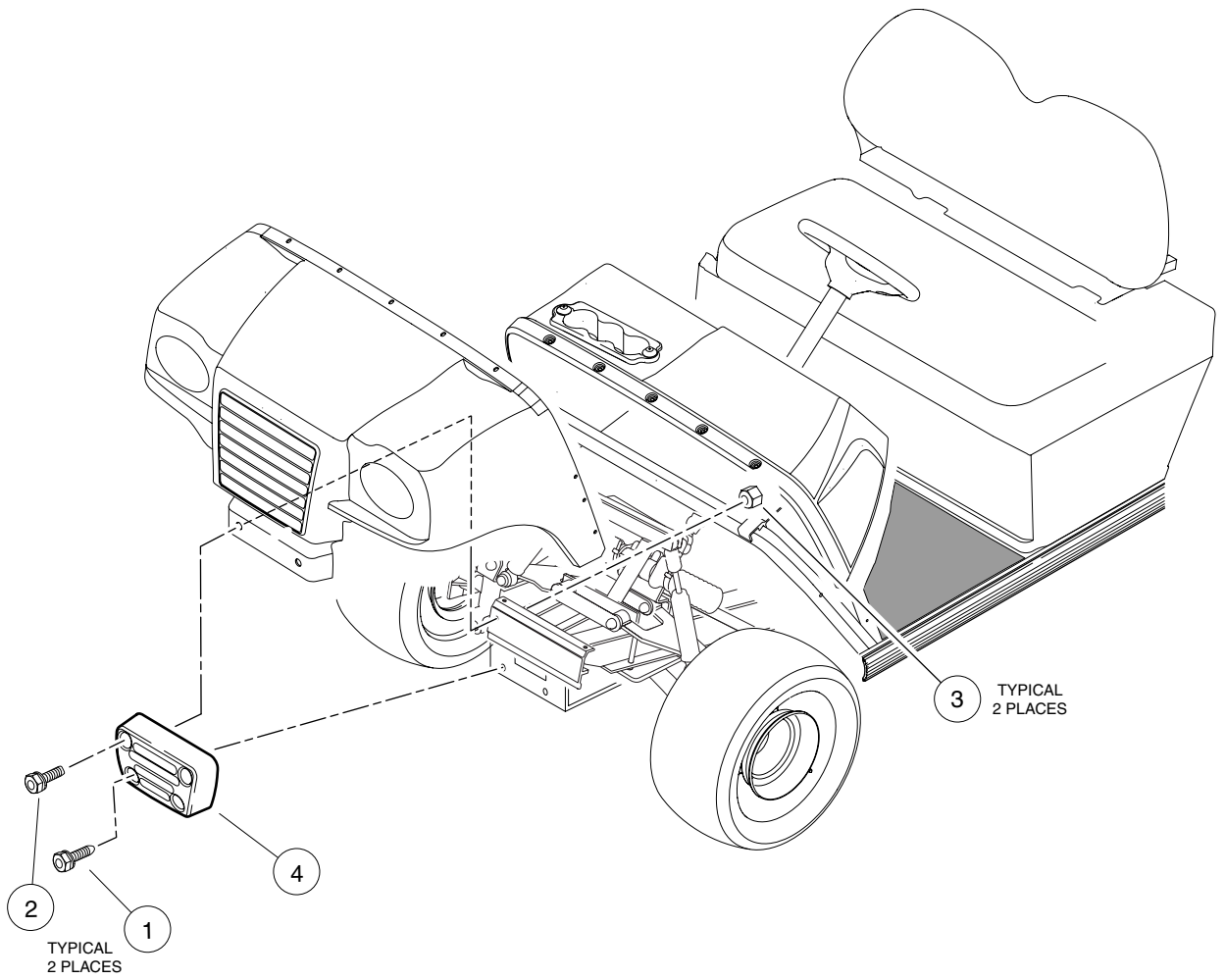
# CANOPY SUPPORT SYSTEM

ITEM	PART NO.	DESCRIPTION	QTY
		1 2 3 4	
1	603 00 41-49	Brace, Canopy, Tube, Xrt .....	2
2	603 00 00-71	Screw, 5/16-18 X 0.75 Hex-Head Cap .....	2

**1**

**G**

**1**  
**G**



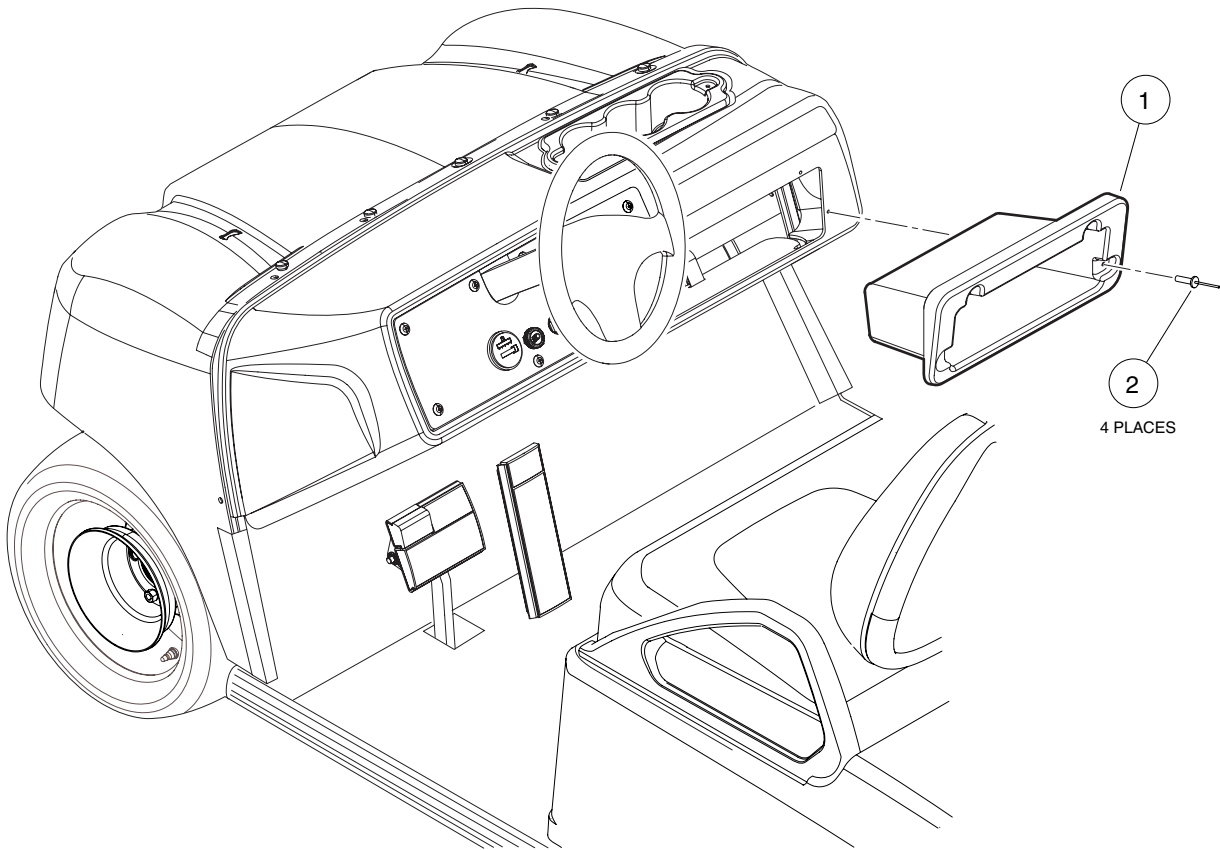
000357-001

# BUMPER – HUV4210-G

ITEM	PART NO.	DESCRIPTION	QTY
		<b>1 2 3 4</b>	
1	603 00 08-70	Screw, M8 X 1.25 X 30 Tri, Blk .....	2
2	603 00 08-76	Bolt, Flange Head, M8-1.25 X 40 .....	2
3	603 00 13-08	Lock Nut, Flg M8 X 1.25 Nylon .....	2
4	603 00 32-98	Bumper, Cast .....	1

**1**  
**G**

1  
G



000358-001

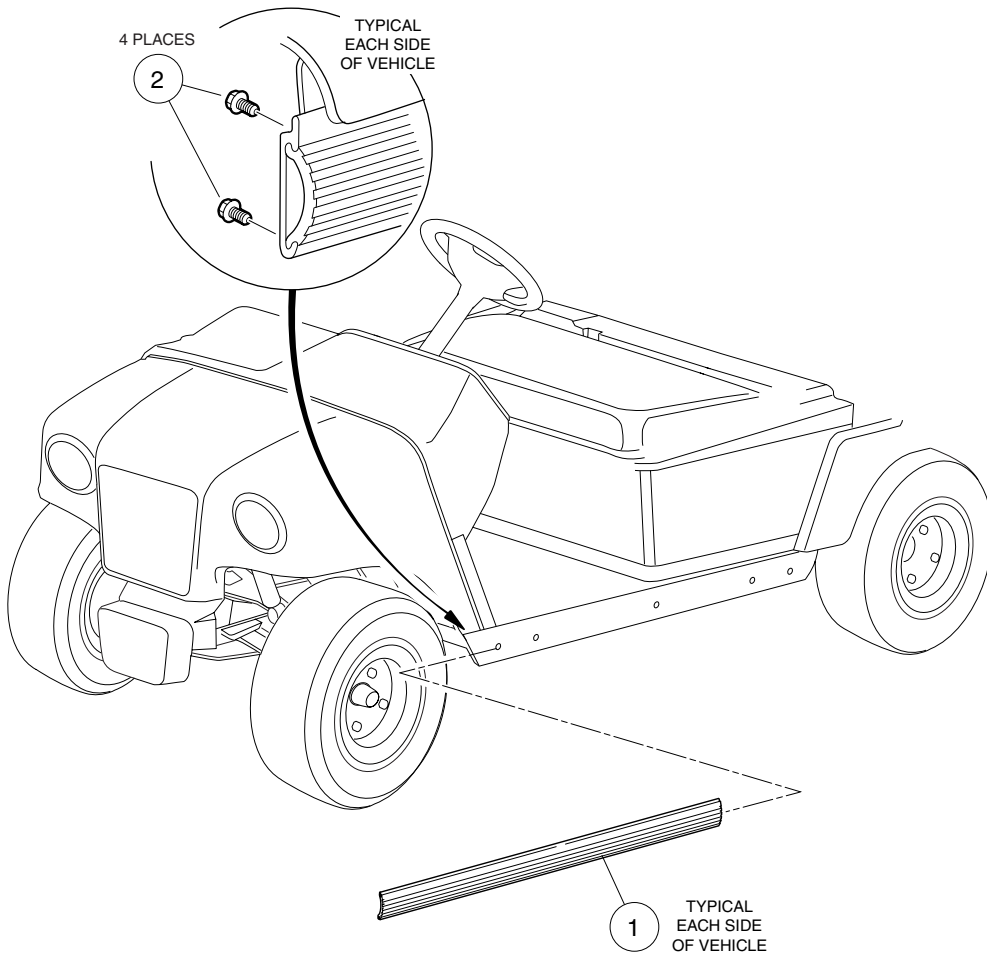
# DASH BOX – HUV4210-G

ITEM	PART NO.	DESCRIPTION	QTY
		1 2 3 4	
1	603 00 32-85	Box, Dash .....	1
2	603 00 32-96	Rivet .....	4

1

G

1  
G



000361-001

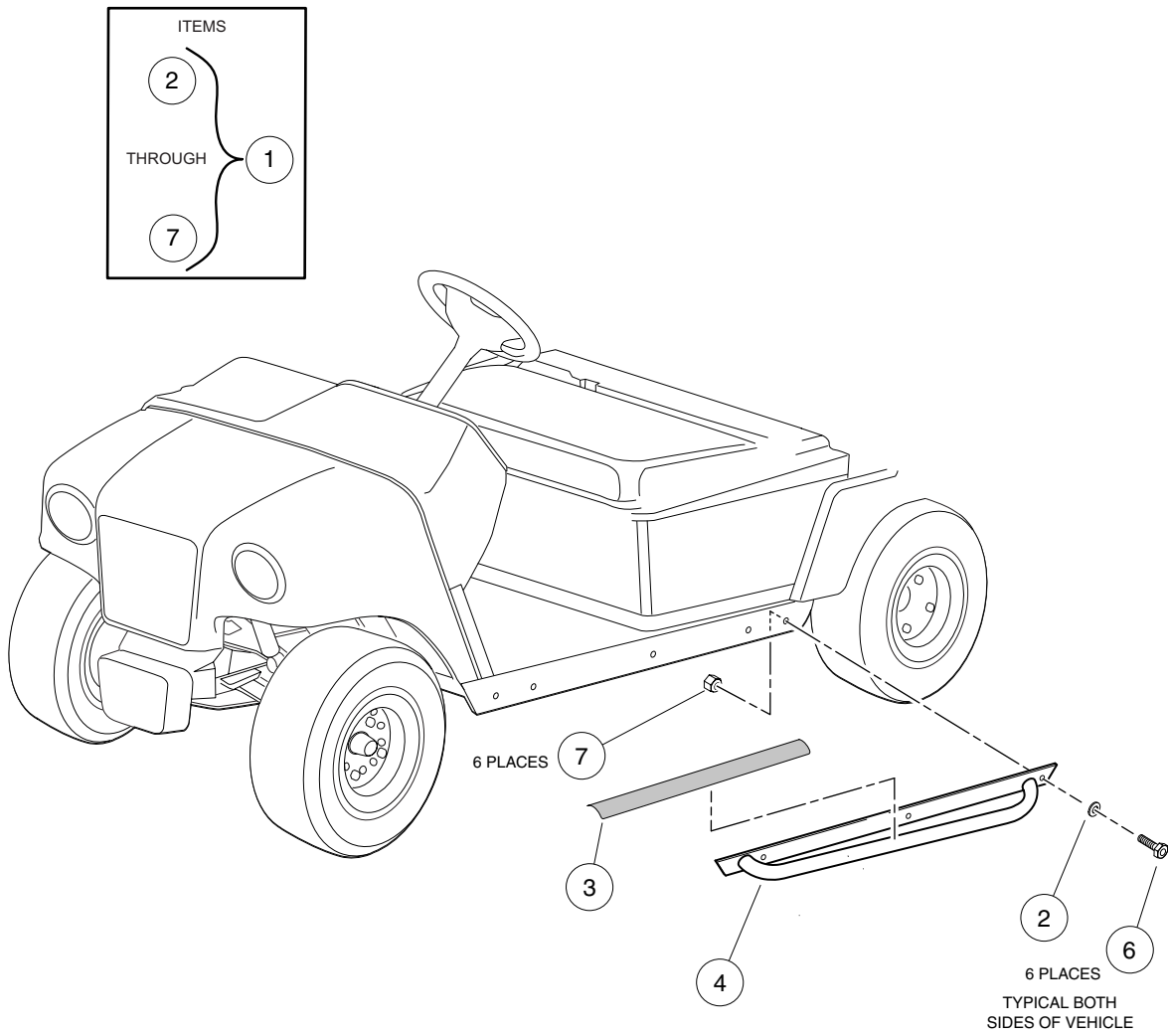
# SIDE TRIM – HUV4210-G

ITEM	PART NO.	DESCRIPTION	QTY
		1 2 3 4	
1	603 00 30-67	Bumper, Side Trim .....	2
2	603 00 32-57	Screw, #8-18 x 0.375, Hex-Head Washer .....	8

1

G



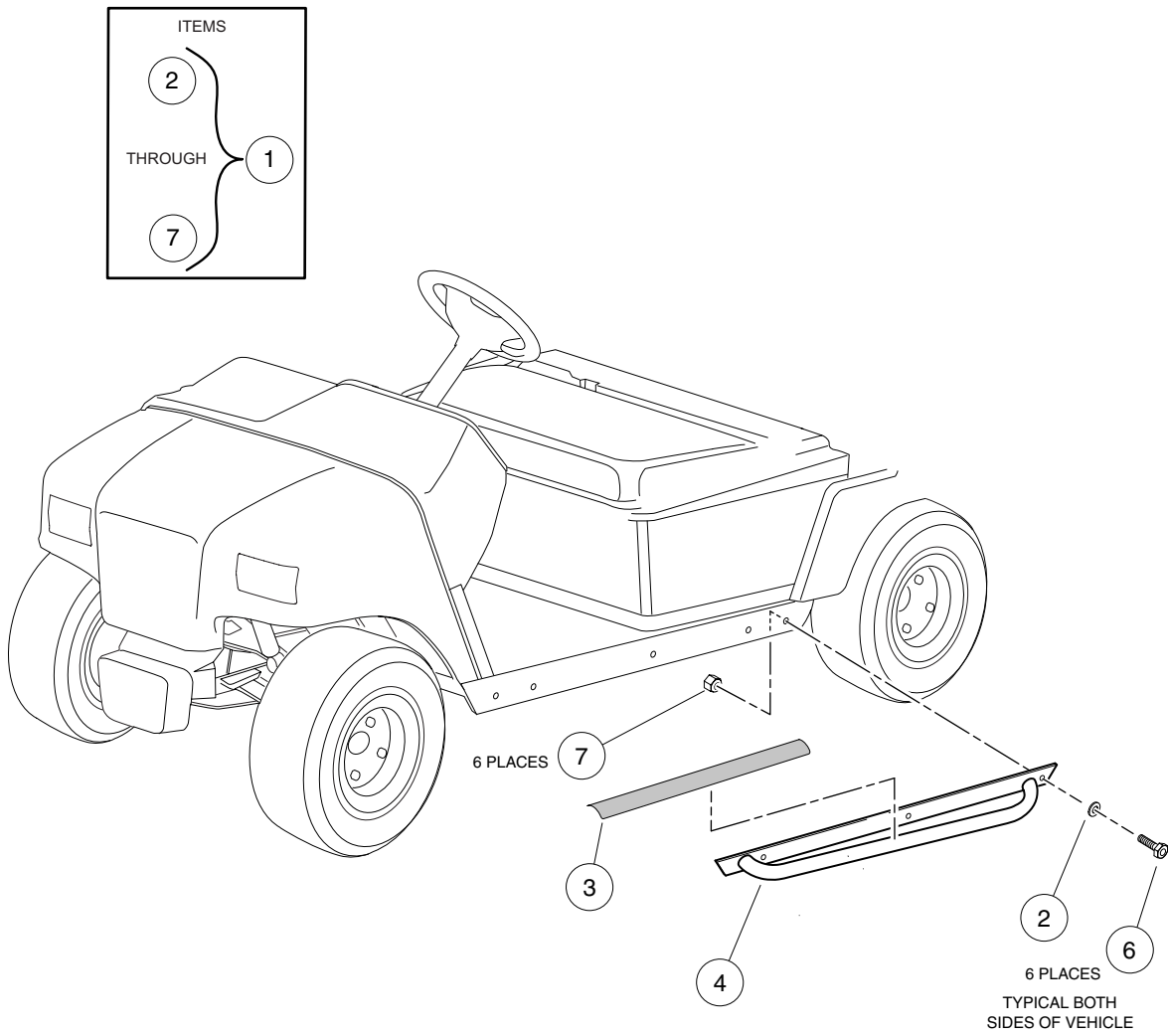


000360-001

# NERF BAR (ORANGE)

ITEM	PART NO.	DESCRIPTION	QTY
		1 2 3 4	
1	531 30 11-14	Kit, Nerf Bar (Orange) (includes items 2 through 7) .....	1
2	603 00 01-32	Washer, 3/8 Flat .....	6
3	603 00 22-77	Tape, Non-skid .....	A/R
4	603 00 23-29	Asm, Nerf Bar, Driver (orange) .....	1
5	603 00 23-30	Asm, Nerf Bar, Passenger (orange) .....	1
6	603 00 00-53	Screw, 3/8-16 X 1.00 Hex-Head Cap .....	6
7	603 00 00-95	Locknut, 3/8-16 Hex .....	6

1  
G



000360-002

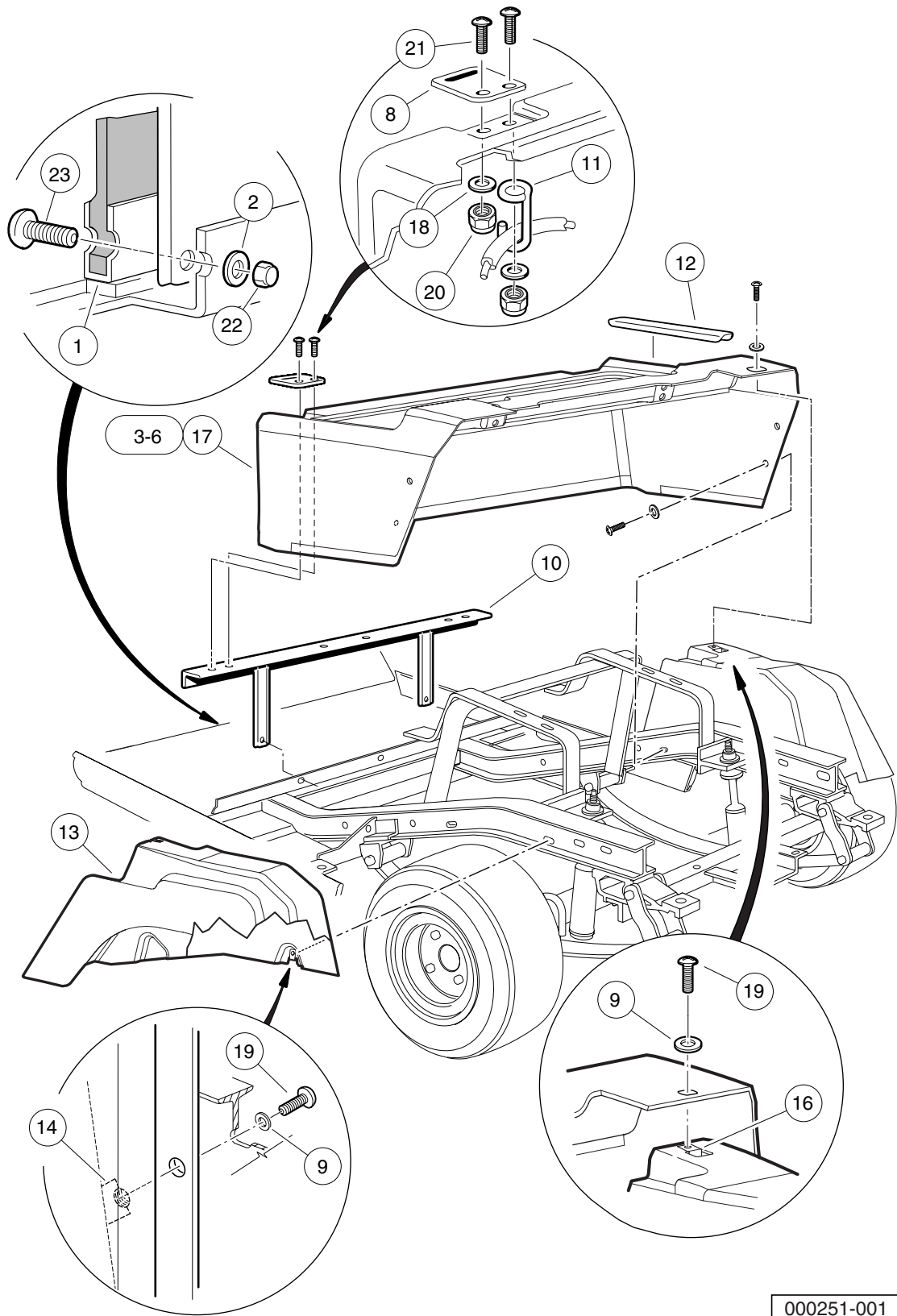
# NERF BAR (BLACK)

ITEM	PART NO.	DESCRIPTION	QTY
		1 2 3 4	
1	102 82 98-02	Kit, Nerf Bar (black) (includes items 2 through 7) .....	1
2	603 00 01-32	Washer, 3/8 Flat .....	6
3	603 00 22-77	Tape, Non-skid .....	2
4	102 82 97-03	Nerf Bar Assy, Driver .....	1
5	102 82 97-04	Nerf Bar Assy, Passngr .....	1
6	603 00 00-53	Screw, 3/8-16 X 1.00 Hex-Head Cap .....	6
7	603 00 00-95	Locknut, 3/8-16 Hex .....	6

1

G

**1**  
**G**



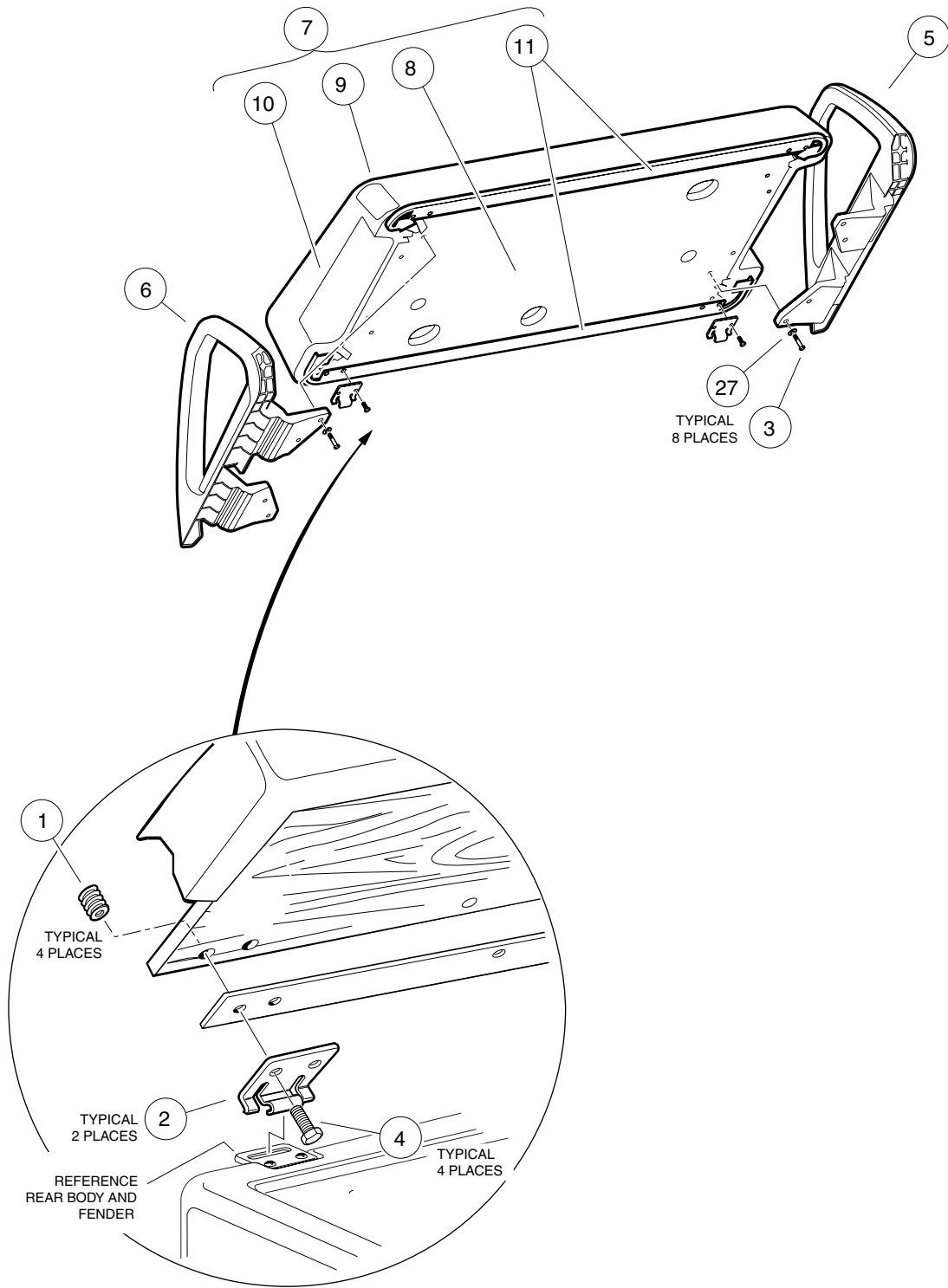
000251-001

# REAR BODY AND FENDER – GASOLINE VEHICLE

ITEM	PART NO.	DESCRIPTION	QTY
		1 2 3 4	
1	603 00 36-29	Body Kick Plate .....	1
2	603 00 02-22	Washer, 1/4" Type B Flat .....	2
3	102 79 68-01	Body, Rear, Gas, Red .....	1
4	102 79 68-03	Body, Rear, Gas, Green .....	1
5	102 79 68-04	Body, Rear, Gas, Classic Blue .....	1
6	102 79 68-05	Body, Rear, Gas, Olive Green .....	1
7	N/A	Body Assembly (includes items 8 through 21) .....	1
8	603 00 01-39	Body, Hinge Plate .....	2
9	603 00 02-22	Washer, 1/4" Type B Flat .....	6
10	603 00 31-56	Body Support Front .....	1
11	603 00 31-95	Cable Retainer .....	1
12	603 00 32-52	Wear Pad .....	2
13	603 00 32-75	Fender, Driver Side (includes item 14) .....	1
14	603 00 31-54	U-Nut, 1/4-20 .....	4
15	603 00 22-92	Fender, Passenger Side (includes item 16) .....	1
16	603 00 31-54	U-Nut, 1/4-20 .....	4
17	603 00 23-17	Body, Rear, Gas, Orange .....	1
18	603 00 00-54	Washer, 1/4 Type A Narrow Flat .....	4
19	603 00 00-83	Screw, 1/4-20 X 0.75 Hex-Head Cap .....	6
20	603 00 00-89	Locknut, 1/4-20 Nylon Insert .....	4
21	603 00 00-91	Screw, 1/4-20 X 1.0 Truss-Head Machine .....	4
22	603 00 00-89	Locknut, 1/4-20 Nylon Insert .....	2
23	603 00 00-91	Screw, 1/4-20 X 1.0 Truss-Head Machine .....	2

**1**  
**G**

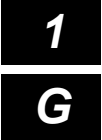
**1**  
**G**



000364-003

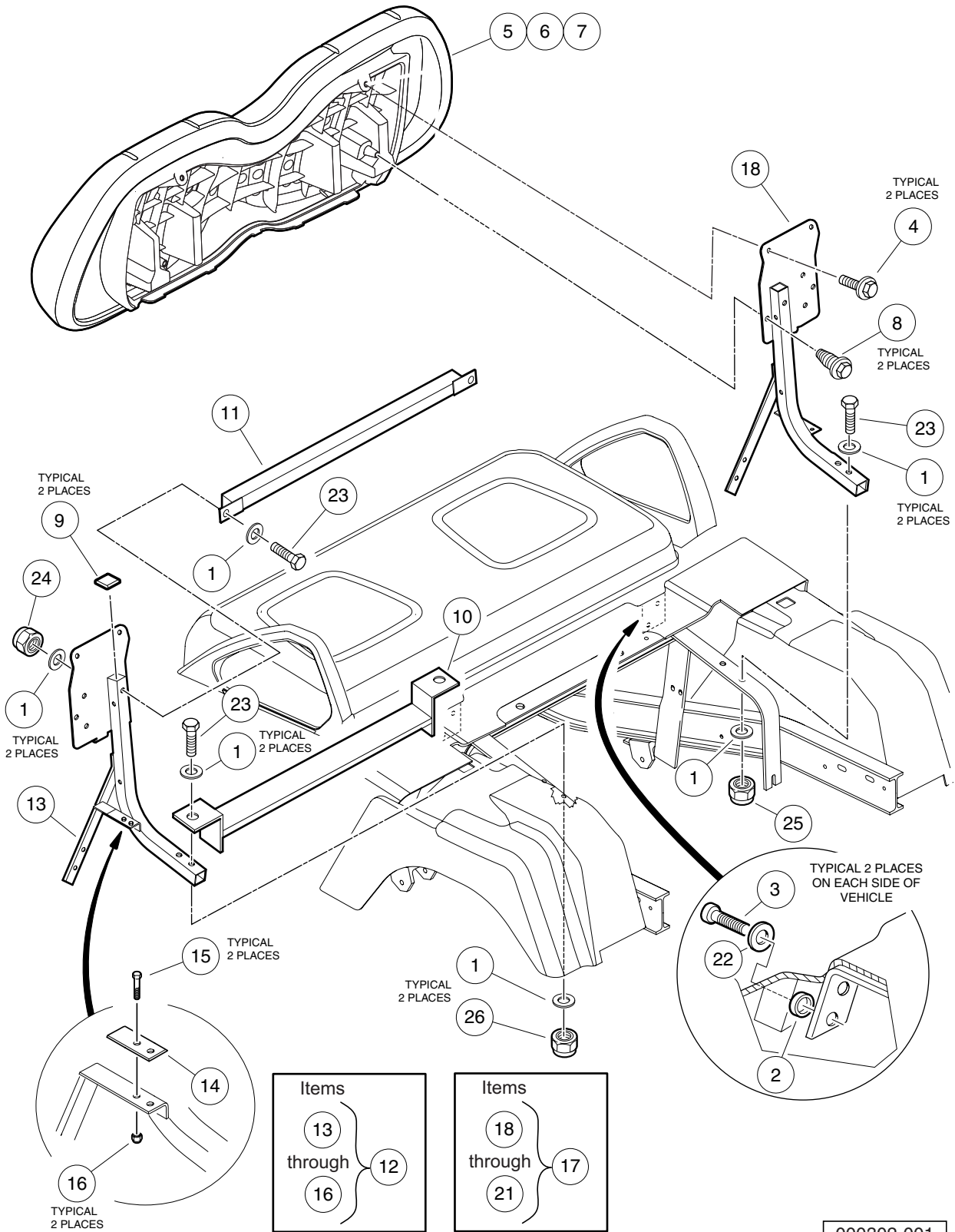
# FRONT SEAT BOTTOM AND ARMRESTS

ITEM	PART NO.	DESCRIPTION	QTY
		1 2 3 4	
1	603 00 25-06	Insert - Wood .....	4
2	603 00 01-25	Hinge Plate .....	2
3	603 00 31-53	Screw, 1/4-20 X 1.50 Hex-Head Cap .....	8
4	603 00 32-40	Screw, 1/4-20 X 0.75 Hex-Head Cap .....	4
5	603 00 32-47	Armrest, Passenger (right) .....	1
6	603 00 32-48	Armrest, Driver (left) .....	1
7	603 00 43-68	Seat Bottom Assembly, Buff (includes items 8 through 11) .....	1
8	N/A	Plywood Assy .....	1
9	603 00 43-67	Vinyl Cover, Seat Bottom, Buff .....	1
10	N/A	Foam, Seat .....	1
11	603 00 32-50	Gasket, Seat .....	2
12	603 00 43-70	Seat Bottom Assembly, White (includes items 13 through 16) .....	1
13	N/A	Plywood Assy .....	1
14	603 00 43-69	Vinyl Cover, Seat Bottom, White .....	1
15	N/A	Foam, Seat .....	1
16	603 00 32-50	Gasket, Seat .....	2
17	603 00 43-72	Seat Bottom Assembly, Black (includes items 18 through 21) .....	1
18	N/A	Plywood Assy .....	1
19	603 00 43-71	Vinyl Cover, Seat Bottom, Black .....	1
20	N/A	Foam, Seat .....	1
21	603 00 32-50	Gasket, Seat .....	2
22	603 00 22-58	Seat Bottom Assembly, Gray (includes items 23 through 26) .....	1
23	N/A	Plywood Assy .....	1
24	603 00 22-59	Vinyl Cover, Seat Bottom, Gray .....	1
25	N/A	Foam, Seat .....	1
26	603 00 32-50	Gasket, Seat .....	2
27	603 00 00-54	Washer, 1/4 Type A Narrow Flat .....	8
<p>Note: Sub-components contained in items 12, 17, and 22 are the same as those shown for item 7, except for the vinyl seat covers.</p>			





**1**  
**G**



000302-001

# SEAT BACK

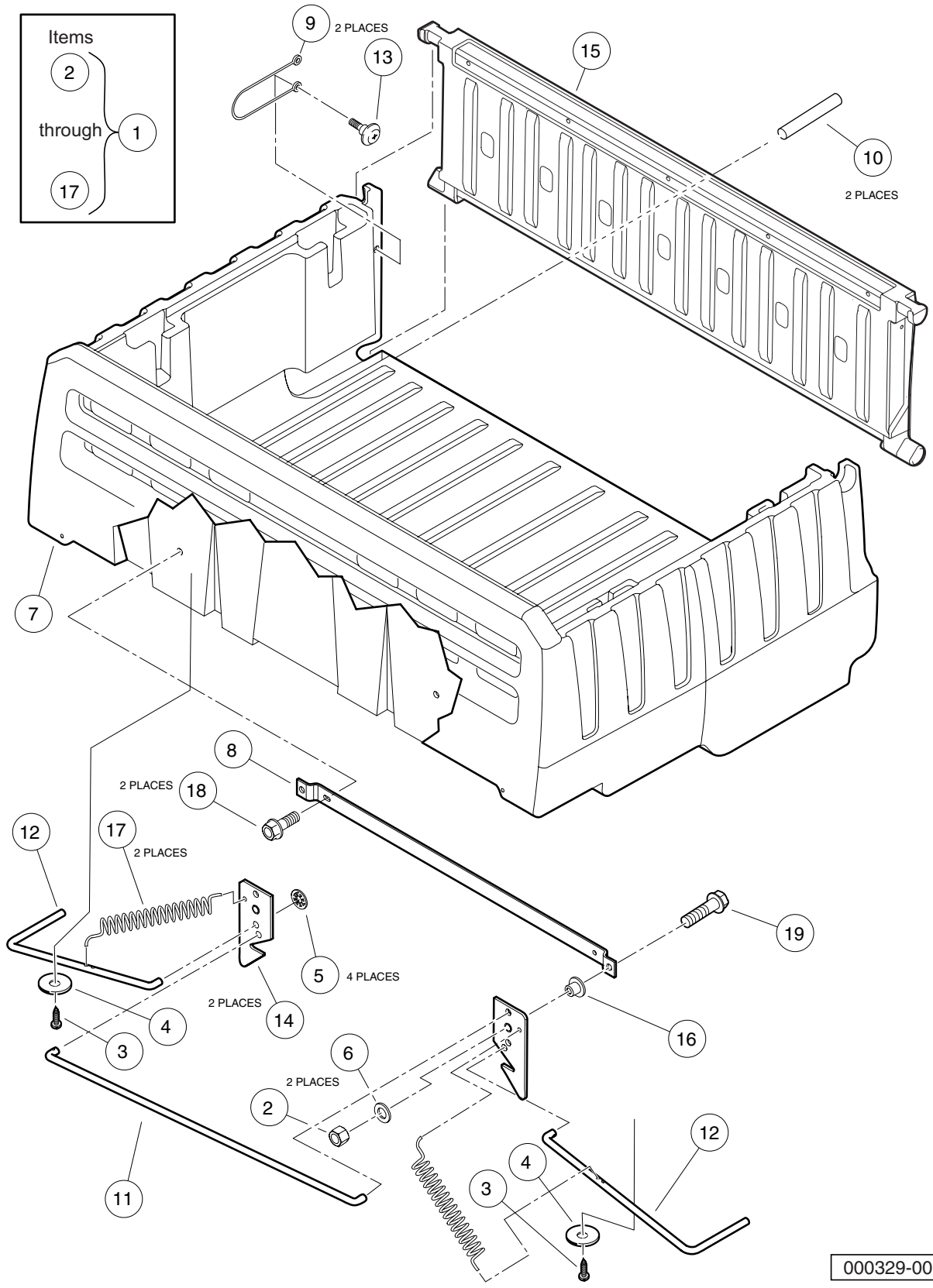
ITEM	PART NO.	DESCRIPTION	QTY
		1 2 3 4	
1	603 00 30-48	Washer, 1/4 Flat .....	12
2	603 00 04-34	Body Spacer .....	4
3	603 00 32-21	Screw, 5/16-18 X 1.25 Thrd Frm .....	4
4	603 00 32-54	Screw - M6 X 1.0 X 30 Sems .....	2
5	603 00 43-73	Service Backrest Asm, Beige .....	1
6	603 00 43-74	Service Backrest Asm, White .....	1
7	603 00 32-66	Service Backrest Asm, Gray .....	1
8	603 00 32-68	Screw, M6 Hex .....	2
9	603 00 32-69	Plug, Square - 25.4 mm .....	2
10	603 00 23-02	Weldment, Bed Support .....	1
11	603 00 23-16	Seat Support, Cross Brace .....	1
12	603 00 23-04	Seat Support W/striker, Drv (includes items 13 through 16) .....	1
13	N/A	Seat Support, Driver-Side .....	1
14	603 00 23-66	Striker Plate .....	1
15	603 00 00-83	Screw, 1/4-20 X 0.75 Hex-Head Cap .....	2
16	603 00 00-89	Locknut, 1/4-20 Nylon Insert .....	2
17	603 00 23-05	Support, Seat, Right (passenger) (includes items 18 through 21) .....	1
18	N/A	Seat Support, Passenger-Side .....	1
19	603 00 23-66	Striker Plate .....	1
20	603 00 00-83	Screw, 1/4-20 X 0.75 Hex-Head Cap .....	2
21	603 00 00-89	Locknut, 1/4-20 Nylon Insert .....	2
22	603 00 00-65	Washer, 5/16 Type A Flat .....	4
23	603 00 00-74	Screw, 1/4-20 X 2.00 Hex-Head Cap .....	6
24	603 00 00-78	Locknut, 5/16-18 Nylon Insert .....	2
25	603 00 00-89	Locknut, 1/4-20 Nylon Insert .....	6
26	603 00 23-52	Screw, 5/16-18 X 1.75 Hex-Head Cap .....	2

1

G

**1**  
**G**

Items  
 2 }  
 through } 1  
 17 }



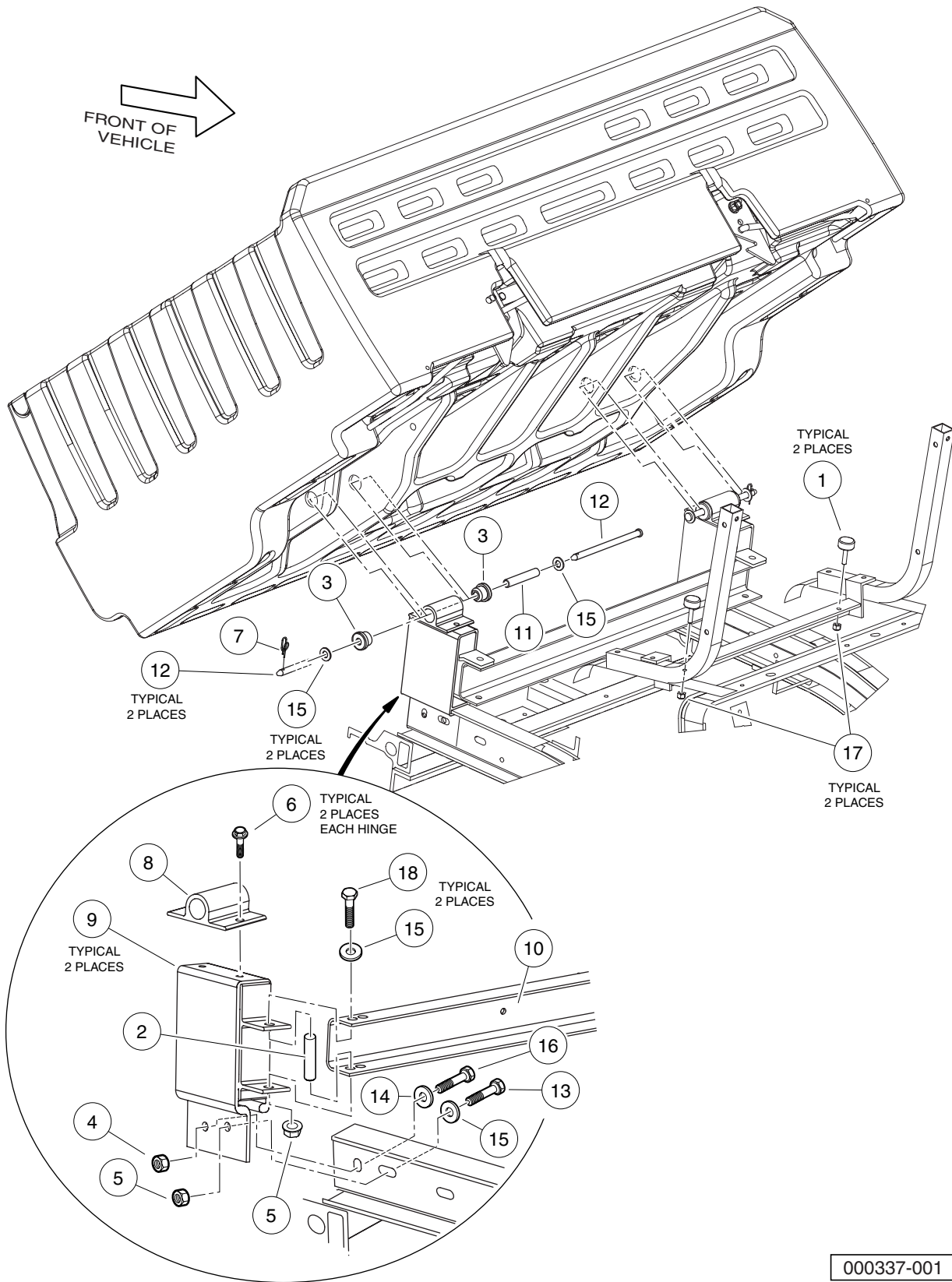
000329-001

# CARGO BED

ITEM	PART NO.	DESCRIPTION	QTY
		1 2 3 4	
1	603 00 36-44	Assembly, Bed (includes items 2 through 19) .....	1
2	603 00 01-01	Locknut, 3/8-16 Dimpled .....	2
3	603 00 01-10	Screw, Hex Washer Head 1/4-14 X .75 .....	2
4	603 00 30-45	Washer, 5/16 Type B Flat .....	2
5	603 00 30-66	Pushnut, 3/8 .....	4
6	603 00 21-60	Washer, 3/8 Flat Type A .....	2
7	603 00 22-94	Bed .....	1
8	603 00 22-95	Support, Latch Link .....	1
9	603 00 22-96	Lanyard, Tailgate .....	2
10	603 00 22-97	Pin, Support .....	2
11	603 00 22-98	Rod, Long Link .....	1
12	603 00 22-99	Rod, Bed Lift, Short Bent .....	2
13	603 00 23-00	Bolt Lanyard .....	2
14	603 00 23-01	Catch, Tilt Bed .....	2
15	603 00 23-19	Tailgate, Husqvarna .....	1
16	603 00 23-35	Bearing, Bronze, 1/2x9/32 .....	2
17	603 00 43-75	Spring, Tilt Latch 3.4 Lb/in .....	2
18	603 00 00-52	Screw, 1/4-20 X 1.0 Hex-Head Cap .....	2
19	603 00 00-53	Screw, 3/8-16 X 1.00 Hex-Head Cap .....	1

**1**  
**G**

**1**  
**G**



000337-001

# BED HINGE

ITEM	PART NO.	DESCRIPTION	QTY
		<b>1 2 3 4</b>	
1	603 00 01-13	Bumper, Rubber .....	2
2	603 00 01-36	Bushing, Steel .....	2
3	603 00 02-63	Bushing, Urethane .....	4
4	603 00 05-21	Locknut, 1/4-20 Hex Whiz .....	2
5	603 00 07-80	Locknut, 3/8-16 Flanged Dimple .....	4
6	603 00 08-69	Screw, M8X1.25X30, Hex .....	4
7	603 00 32-53	Rue Ring - 1/2" .....	2
8	603 00 32-81	Hinge, Roto Bed .....	2
9	603 00 32-87	Support, Hinge .....	2
10	603 00 23-21	Stiffener, Bed Support .....	1
11	603 00 32-88	Bushing, Steel .....	2
12	603 00 32-92	Pin, Clevis, 3/8 .....	2
13	603 00 00-53	Screw, 3/8-16 X 1.00 Hex-Head Cap .....	2
14	603 00 00-54	Washer, 1/4 Type A Narrow Flat .....	2
15	603 00 00-55	Washer, 3/8 Type A Flat .....	8
16	603 00 00-83	Screw, 1/4-20 X 0.75 Hex-Head Cap .....	2
17	603 00 00-89	Locknut, 1/4-20 Nylon Insert .....	2
18	603 00 00-96	Screw, 3/8-16 X 3.375 Hex Cap .....	2

**1**  
**G**

1

G

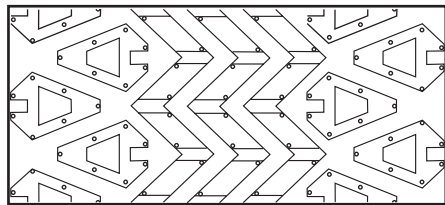
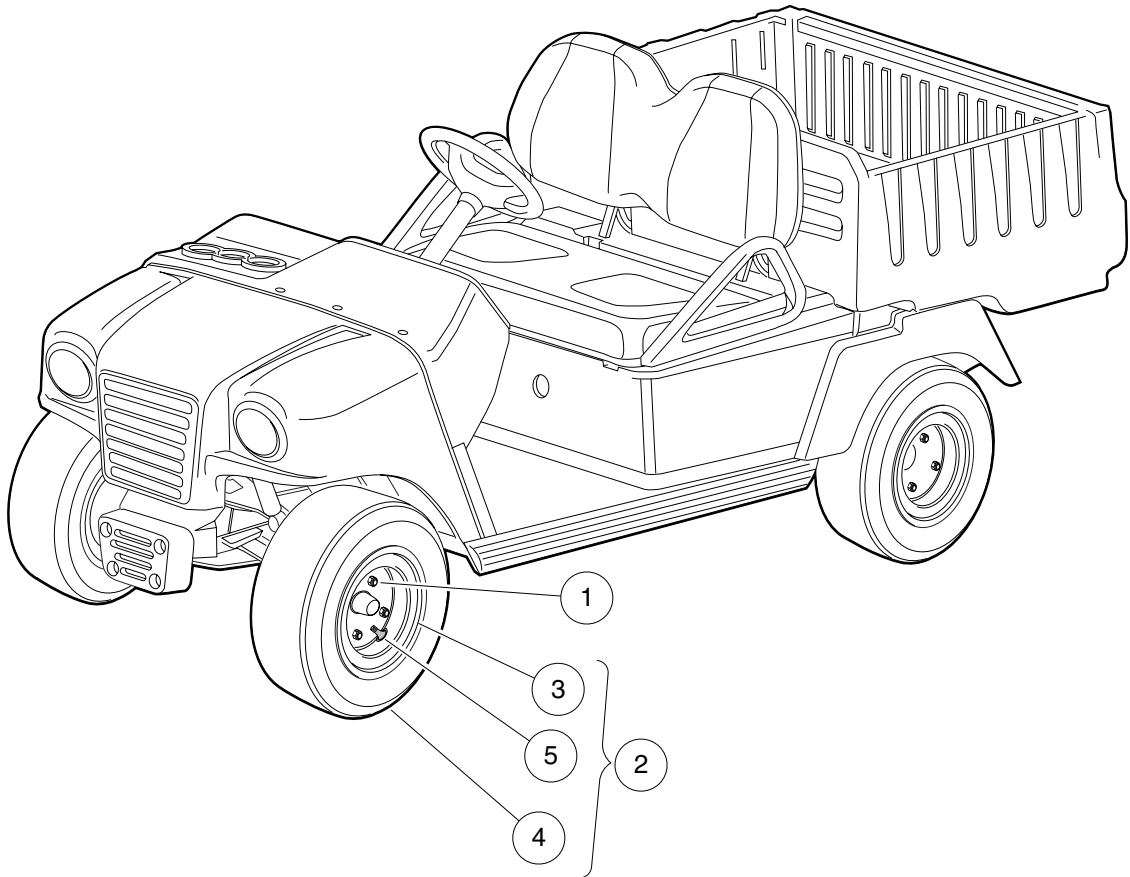
# WHEELS AND TIRES

---

2

G





ALL TRAIL II TREAD  
Carlisle®

000224-001

# WHEELS AND TIRES

ITEM	PART NO.	DESCRIPTION	QTY
		1 2 3 4	
1	603 00 00-24	.500-20 Unf Lug Nut .....	16
2	603 00 32-86	Tire Assembly, All Trail II (includes items 3 through 5) .....	4
3	603 00 23-14	Wheel Rim, Gray .....	1
4	603 00 23-15	Tire, Unmounted, All Trail II .....	1
5	603 00 00-33	Valve Stem .....	1

2

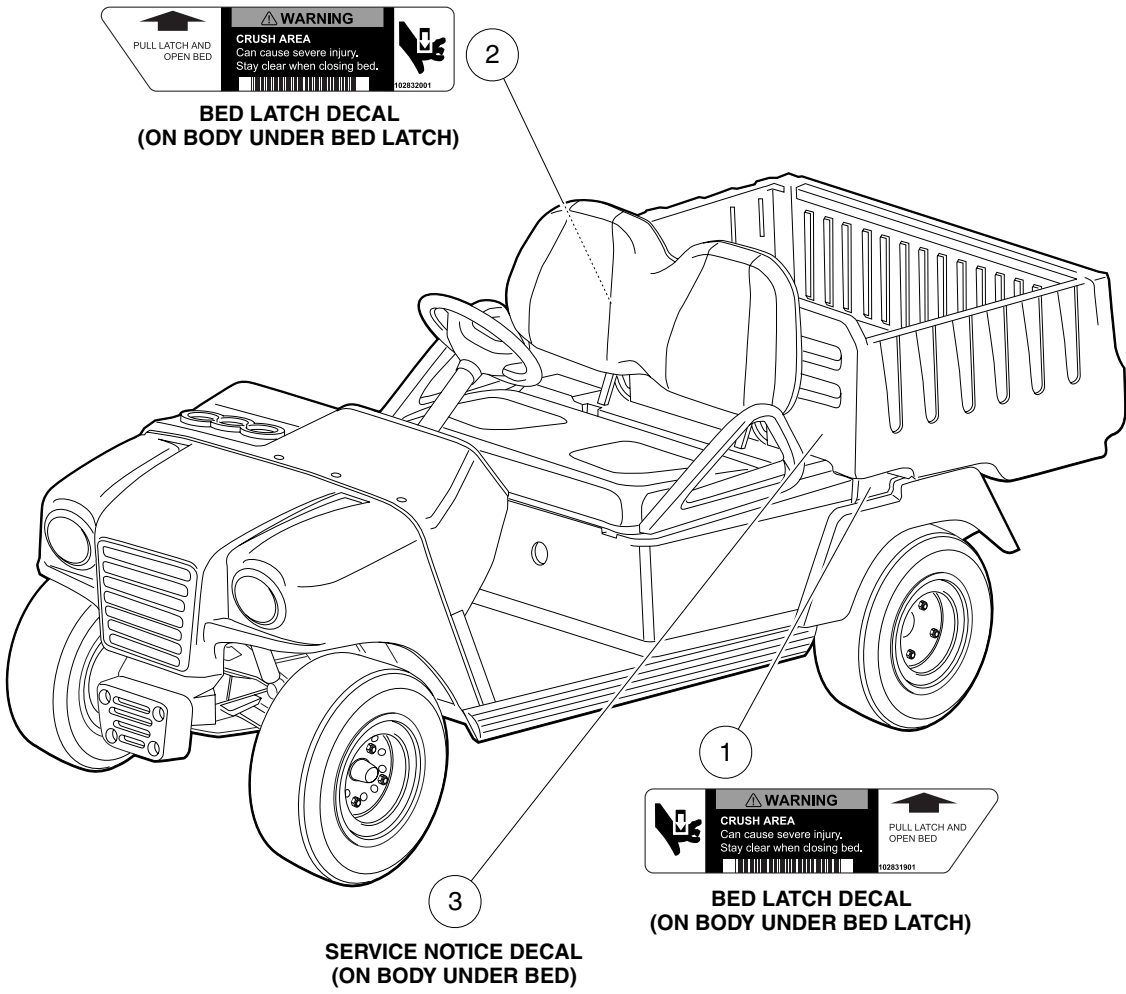
G

# DECALS

---

3

G



**BED LATCH DECAL  
(ON BODY UNDER BED LATCH)**



**BED LATCH DECAL  
(ON BODY UNDER BED LATCH)**

**NOTICE**

• THE OWNER/OPERATOR should maintain, lubricate, adjust, and operate the vehicle as detailed in the vehicle owners manual.

CC1 102832001

000225-001

# SAFETY DECALS – GASOLINE VEHICLES

ITEM	PART NO.	DESCRIPTION	QTY
		1 2 3 4	
1	603 00 20-19	Decal, Crush Warning, Driver-Side .....	1
2	603 00 20-20	Decal, Crush Warning, Passenger-Side .....	1
3	603 00 33-24	Decal, Maintenance .....	1

3

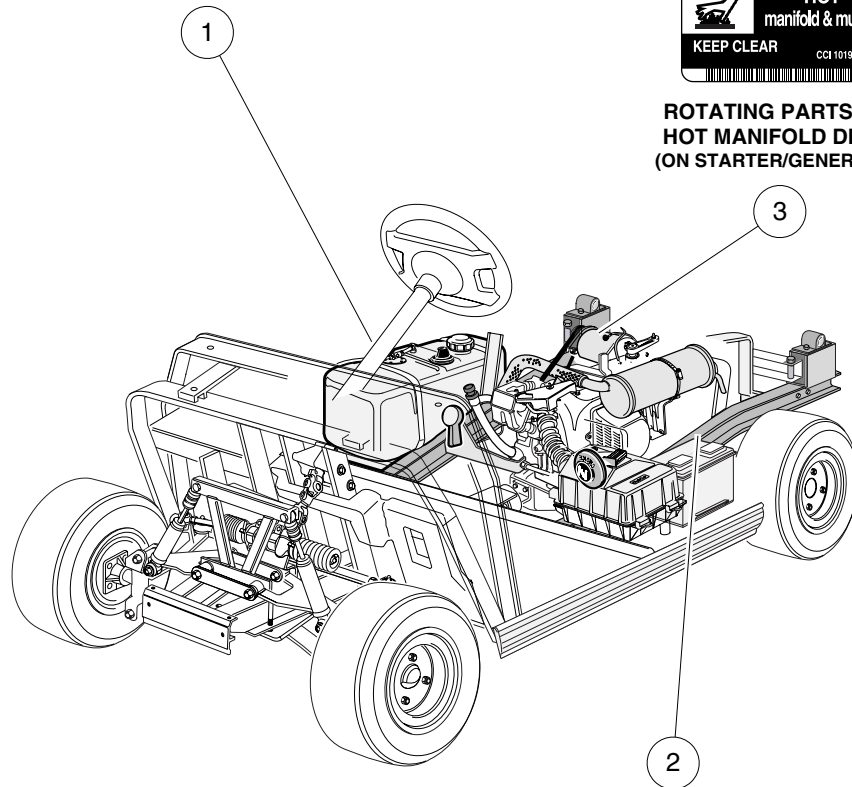
G



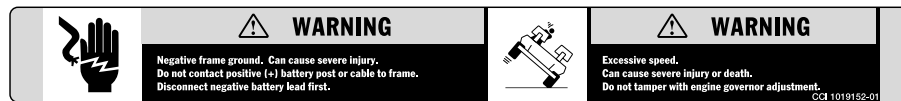
**GASOLINE WARNING DECAL  
(ON VEHICLE FRAME NEAR FUEL TANK)**



**ROTATING PARTS AND  
HOT MANIFOLD DECAL  
(ON STARTER/GENERATOR)**



**FRAME GROUND AND  
GOVERNOR WARNING DECAL  
(ON VEHICLE FRAME NEAR BATTERY)**



000226-001

# SAFETY DECALS – GASOLINE VEHICLES, CONTINUED

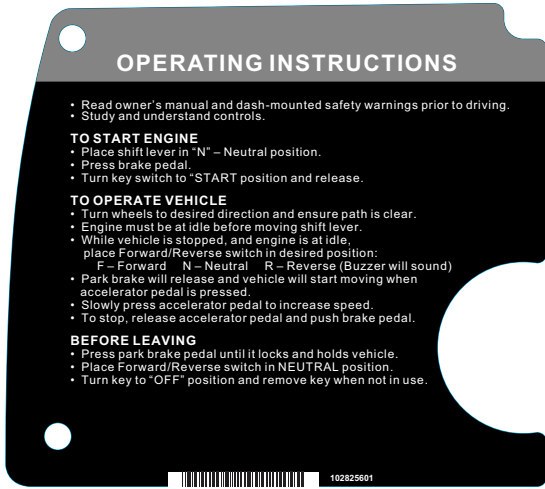
ITEM	PART NO.	DESCRIPTION	QTY
		1 2 3 4	
1	603 00 04-62	Decal, Gasoline Explosion/Fire Warning .....	1
2	603 00 05-85	Decal, Frame Ground and Governor Warning .....	1
3	603 00 06-15	Decal, Rotating Parts/Hot Manifold .....	1

3

G

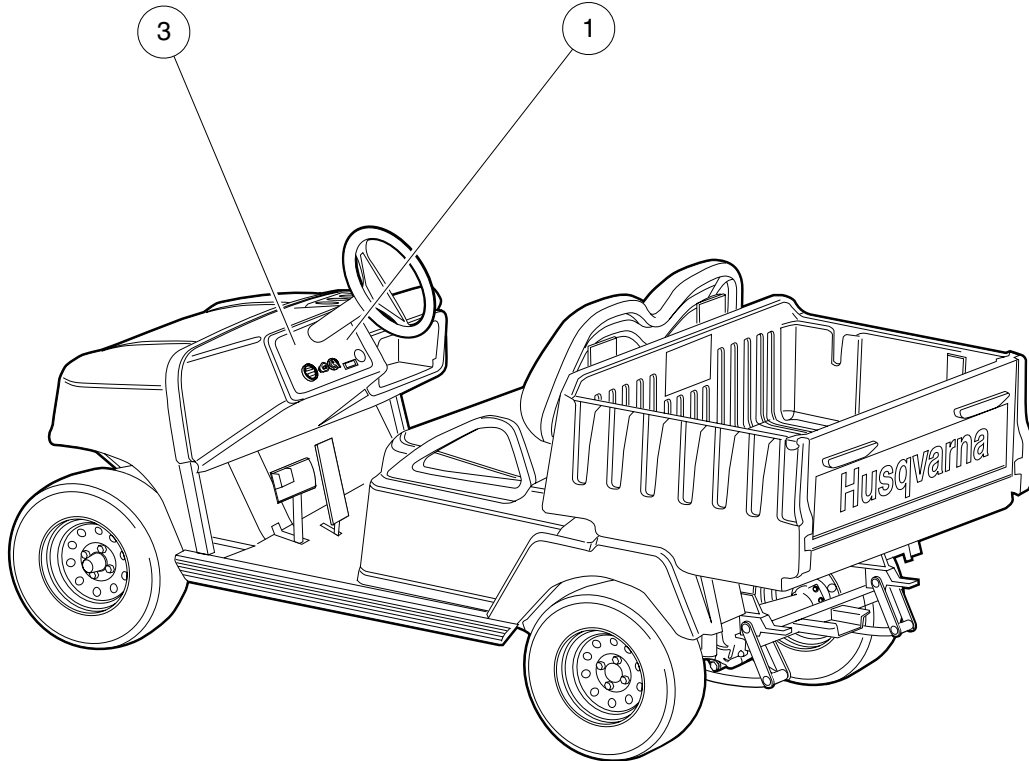
3

G



**OPERATING INSTRUCTIONS**

**DRIVER AND PASSENGER WARNING DECAL**



000227-001



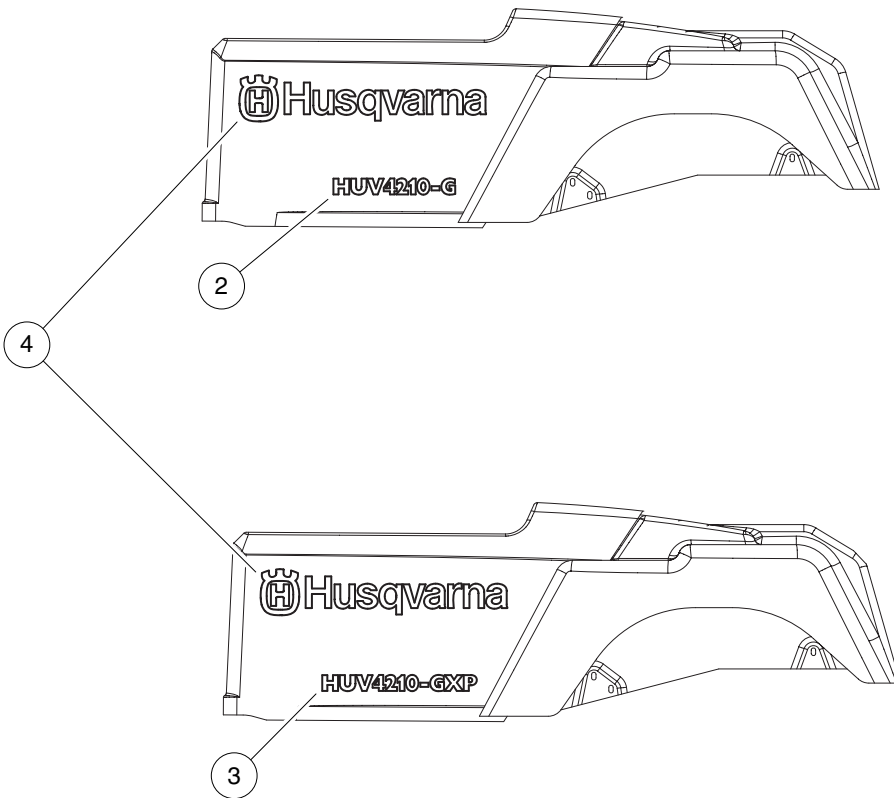
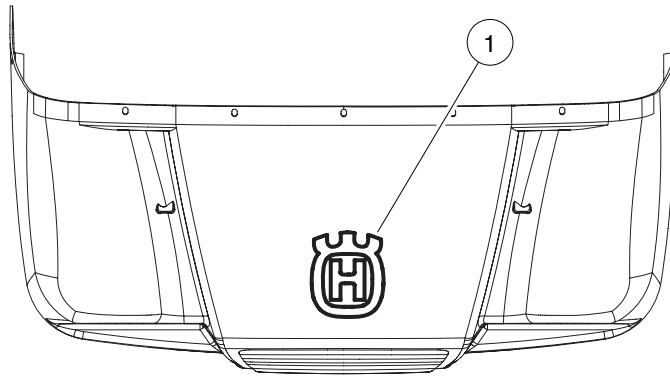
# SAFETY DECALS – GASOLINE VEHICLES, CONTINUED

ITEM	PART NO.	DESCRIPTION	QTY
		1 2 3 4	
1	603 00 32-93	Decal, Warning, Instrument Panel .....	1
2	603 00 32-94	Decal, Warning, Instrument Panel .....	1
3	603 00 32-95	Decal, Operating Instructions, Instrument Panel .....	1
		Note: Item 2 is used only on vehicles equipped with a 12-volt accessory outlet.	

3

G

**3**  
**G**



000300-001

# LOGO DECALS – GASOLINE VEHICLES

ITEM	PART NO.	DESCRIPTION	QTY
		1 2 3 4	
1	603 00 32-99	Decal, Husqvarna, Cowl .....	1
2	603 00 33-00	Decal, Husqvarna, Side Panel (HUV4210-G) .....	2
3	603 00 33-01	Decal, Husqvarna, Side Panel (HUV4210-GXP) .....	2
4	603 00 23-69	Decal, Husq, Side .....	2

3  
G

3

G

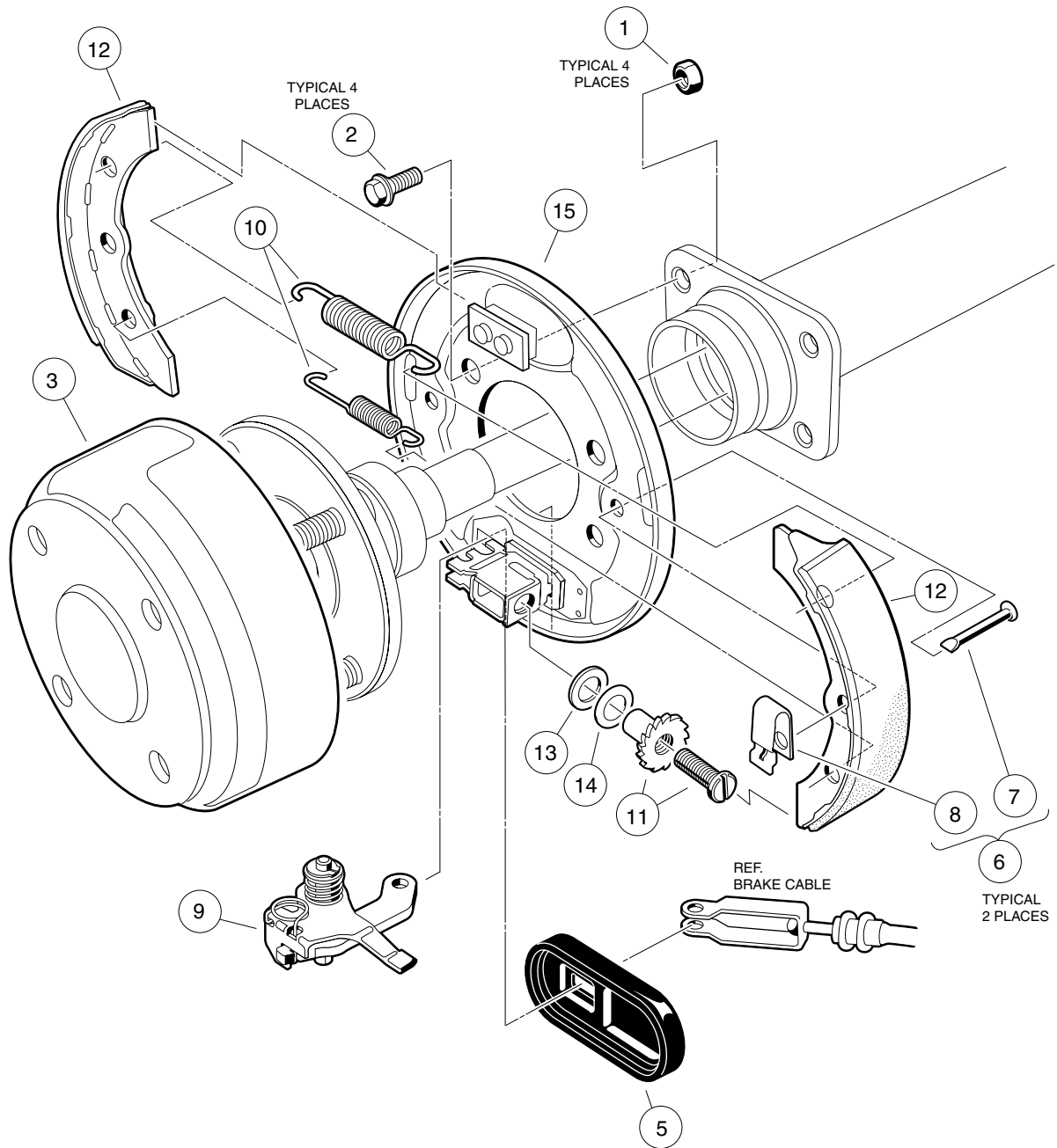
# **BRAKES, PEDAL, AND CABLE ASSEMBLIES**

---

**4**

**G**

**4**  
**G**



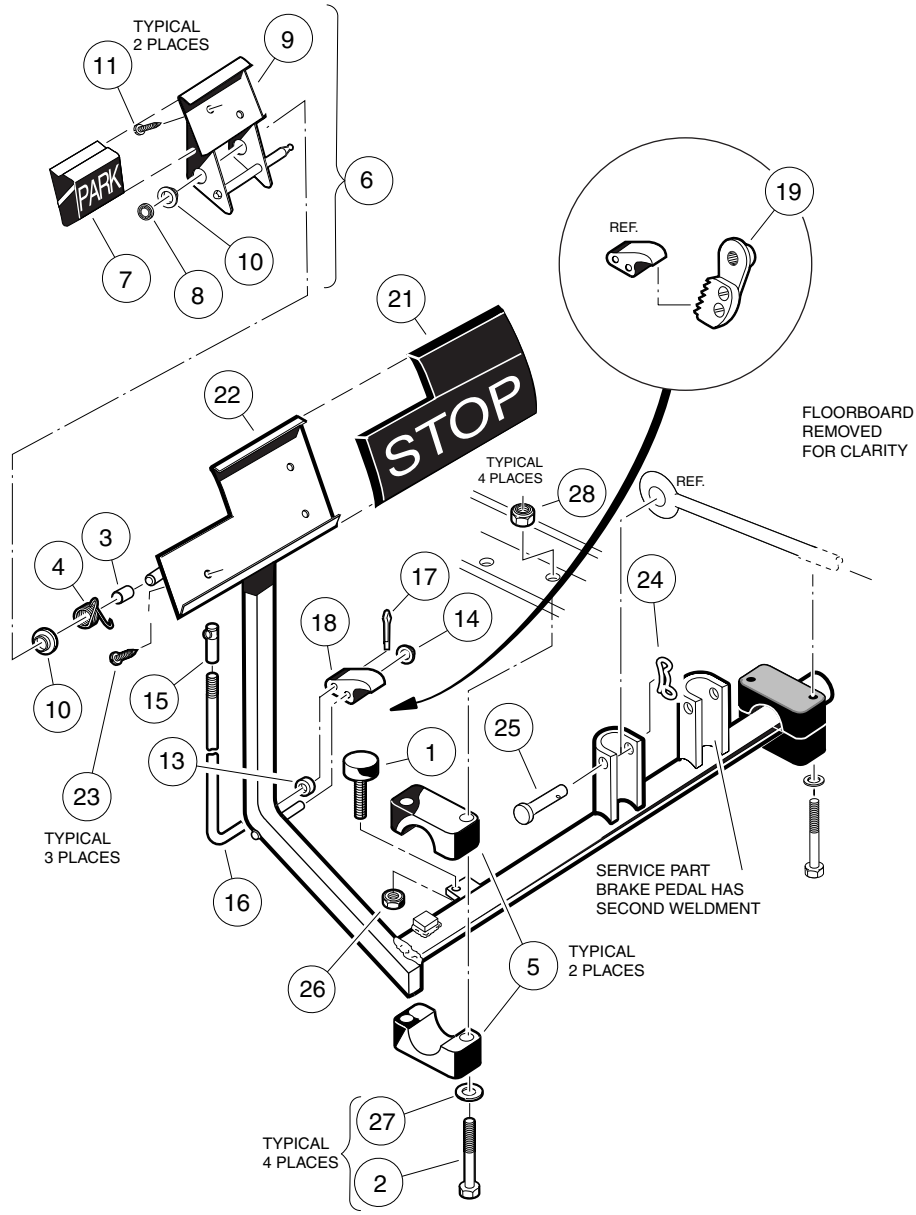
000186-001

# REAR BRAKE ASSEMBLY, SELF-ADJUSTING – VEHICLE WITH 2-WHEEL BRAKES

**4**  
**G**

ITEM	PART NO.	DESCRIPTION	QTY
		1 2 3 4	
1	603 00 01-93	Nut, 5/16-24 Hex Head Cone .....	8
2	603 00 30-69	Bolt, Brake Cluster Mounting .....	8
3	603 00 31-75	Drum without Center Hole, Brake .....	2
4	603 00 31-86	Cluster Assembly, Right (Passenger) Brake (includes items 5 through 15) .....	1
5	603 00 30-38	Dust Cover .....	1
6	603 00 30-44	Kit, Shoe Retainer (includes items 7 and 8) .....	1
7	N/A	Pin .....	2
8	N/A	Shoe Clamp Spring .....	2
9	603 00 31-79	Lever Assembly, Self-Adjusting Brake, Right (Passenger) .....	1
10	603 00 31-81	Package, Brake Spring, Self-Adjusting .....	1
11	603 00 31-82	Adj Mechanism, S.A. Brakes, Right (Passenger) .....	1
12	603 00 31-85	Package, Brake Shoe, Self-Adjusting .....	1
13	603 00 31-88	Plate, Washer, Brake, Self-Adjusting .....	1
14	603 00 31-89	Washer, Brake, Self-Adjusting .....	1
15	603 00 31-90	Plate Assembly, Right Brake Backing .....	1
16	603 00 31-87	Cluster Assembly, Left Brake (includes items 17 through 27) .....	1
17	603 00 30-38	Dust Cover .....	1
18	603 00 30-44	Kit, Shoe Retainer (includes items 19 and 20) .....	1
19	N/A	Pin .....	2
20	N/A	Shoe Clamp Spring .....	2
21	603 00 31-80	Lever Assembly, Self-Adjusting Brake, Left .....	1
22	603 00 31-81	Package, Brake Spring, Self-Adjusting .....	1
23	603 00 31-83	Adjusting Mechanism, Self-Adjusting Brake, Left .....	1
24	603 00 31-85	Package, Brake Shoe, Self-Adjusting .....	1
25	603 00 31-88	Plate, Washer, Brake, Self-Adjusting .....	1
26	603 00 31-89	Washer, Brake, Self-Adjusting .....	1
27	603 00 31-91	Plate Assembly, Left Brake Backing .....	1
<p>Note: Driver-side brake cluster not shown. Components have a similar appearance to passenger-side brake cluster components.</p>			

**4**  
**G**



000187-001

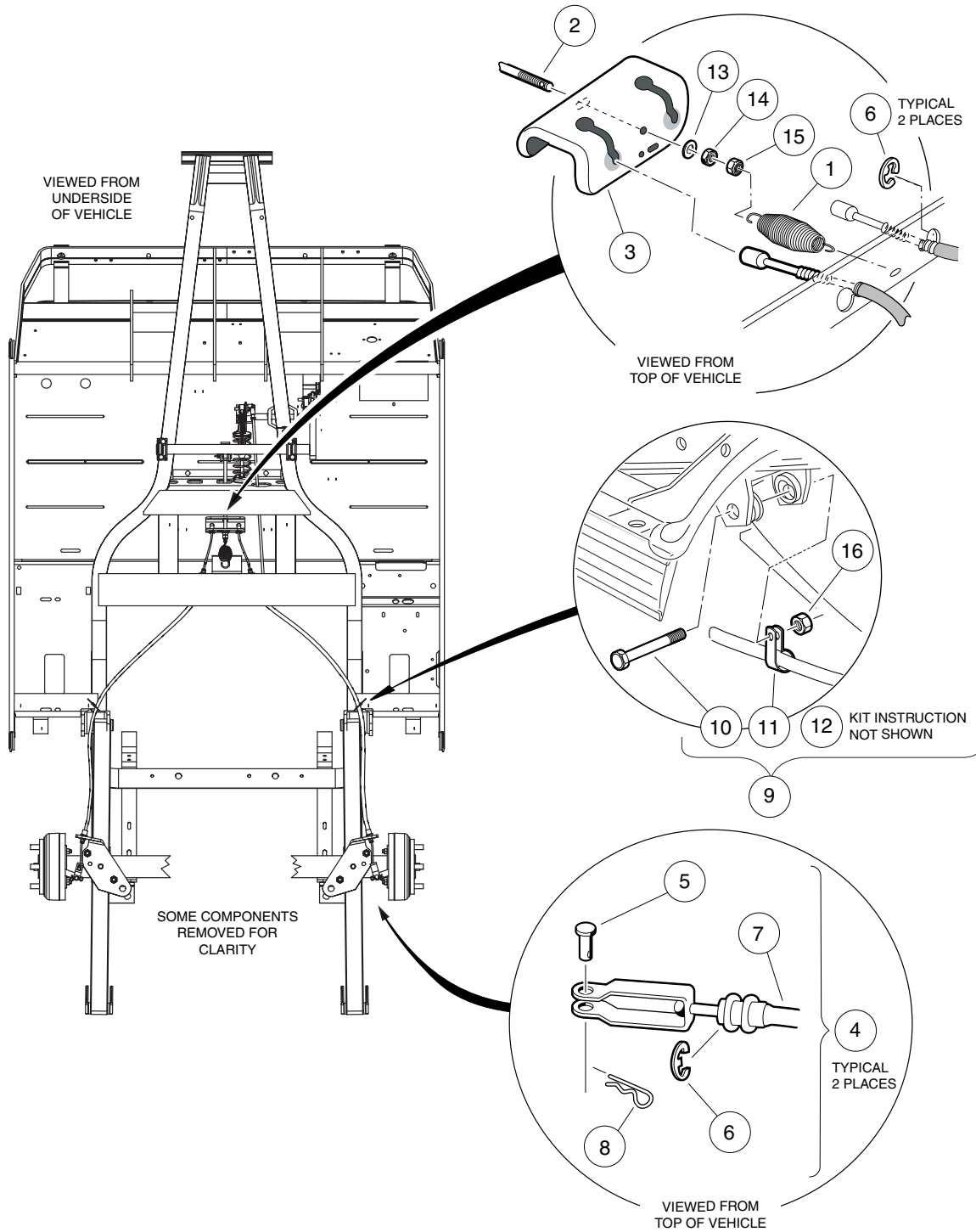


# BRAKE PEDAL ASSEMBLY – VEHICLES WITH TWO-WHEEL BRAKES

ITEM	PART NO.	DESCRIPTION	QTY
		1 2 3 4	
1	603 00 01-13	Bumper, Rubber .....	1
2	603 00 01-15	Screw, 5/16-18 X 2.50 Hex Cap .....	4
3	603 00 30-40	Hill Brake Spacer .....	1
4	603 00 30-42	Spring, Hill Brake Torsion .....	1
5	603 00 01-21	Package, Brake Mounting Block .....	1
6	603 00 30-43	Kit, Hill Brake Pedal (includes items 7 through 11) .....	1
7	603 00 30-65	Pad, Hill Brake .....	1
8	603 00 30-66	Pushnut, 3/8 .....	1
9	N/A	Hill Brake Weld Assembly .....	1
10	603 00 33-02	Bushing, Nylon .....	2
11	603 00 00-81	Screw, #10-16 Type AB, Sheet Metal .....	2
12	603 00 30-46	Kit, Hill Brake Latch (includes items 13 through 19) .....	1
13	603 00 30-37	Sleeve, Hill Brake Rod .....	1
14	603 00 30-39	Pushnut, 3/8 .....	1
15	603 00 30-41	Ball Joint, 1/4-28 .....	1
16	N/A	Rod, Hill Brake .....	1
17	603 00 31-55	Pin, Cotter, 7/64 x 1/2 Stainless-Steel .....	1
18	N/A	Pawl, Hill Brake .....	1
19	N/A	Ratchet Assembly .....	1
20	603 00 32-00	Brake Pedal Kit (includes items 21 through 23) .....	1
21	603 00 30-64	Pad, Brake Pedal .....	1
22	N/A	Weldment, Brake Pedal 4wb Std .....	1
23	603 00 00-81	Screw, #10-16 Type AB, Sheet Metal .....	3
24	603 00 08-82	Pin, Bow Tie Locking .....	1
25	603 00 26-01	Pin, 3/8 X 1-5/16 Clevis .....	1
26	603 00 00-62	Nut, 1/4-20 Hex .....	1
27	603 00 00-65	Washer, 5/16 Type A Flat .....	4
28	603 00 00-78	Locknut, 5/16-18 Nylon Insert .....	4

4

G



000245-002

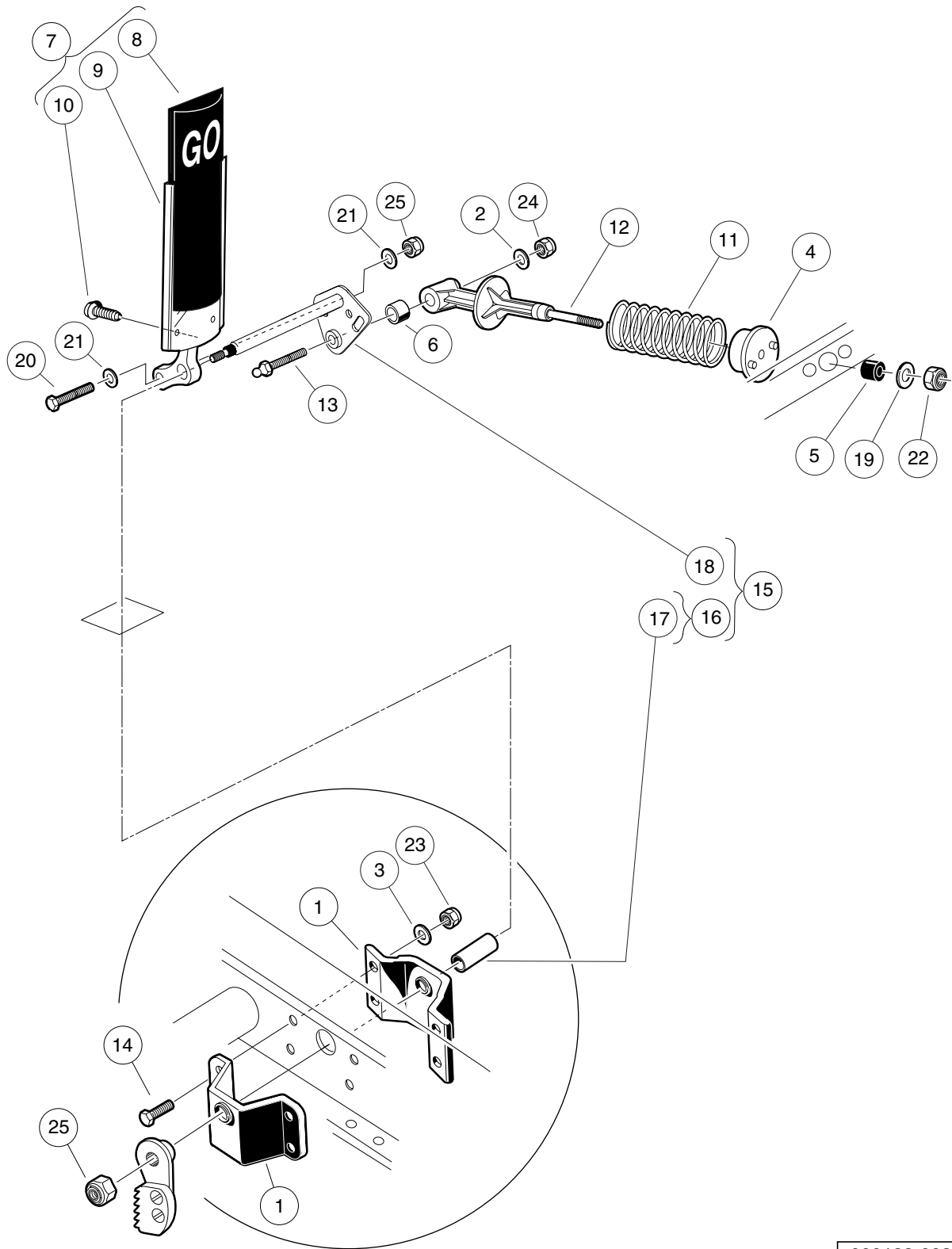
# BRAKE CABLE, EQUALIZER, AND EQUALIZER ROD – VEHICLES WITH TWO-WHEEL BRAKES

ITEM	PART NO.	DESCRIPTION	QTY
		1 2 3 4	
1	603 00 01-75	Spring, Brake Return .....	1
2	603 00 32-37	Rod, Equalizer .....	1
3	603 00 32-49	Equalizer Bracket .....	1
4	603 00 32-51	Brake Cable Kit (includes items 5 through 8) .....	2
5	603 00 01-12	Pin, Clevis, 5/16 X 3/4 .....	1
6	603 00 01-30	E-Clip, 1/2 .....	2
7	N/A	Cable, Brake .....	1
8	603 00 00-63	Pin, 3/32 X 1.00 Sq Cut Cotter .....	1
9	603 00 43-45	Kit, Field P-clamp, Brake Line (includes items 10 through 12) .....	1
10	603 00 07-82	Screw, 3/8-16 X 3.50 Hex Cap .....	2
11	603 00 43-44	P-clamp, Brake Line .....	2
12	603 00 43-76	Instr Fd. P-clamp, Brake Line .....	1
13	603 00 00-65	Washer, 5/16 Type A Flat .....	5
14	603 00 00-66	Nut, 5/16-18 Hex .....	1
15	603 00 00-78	Locknut, 5/16-18 Nylon Insert .....	5
16	603 00 00-95	Locknut, 3/8-16 Hex .....	2

**4**

**G**

**4**  
**G**



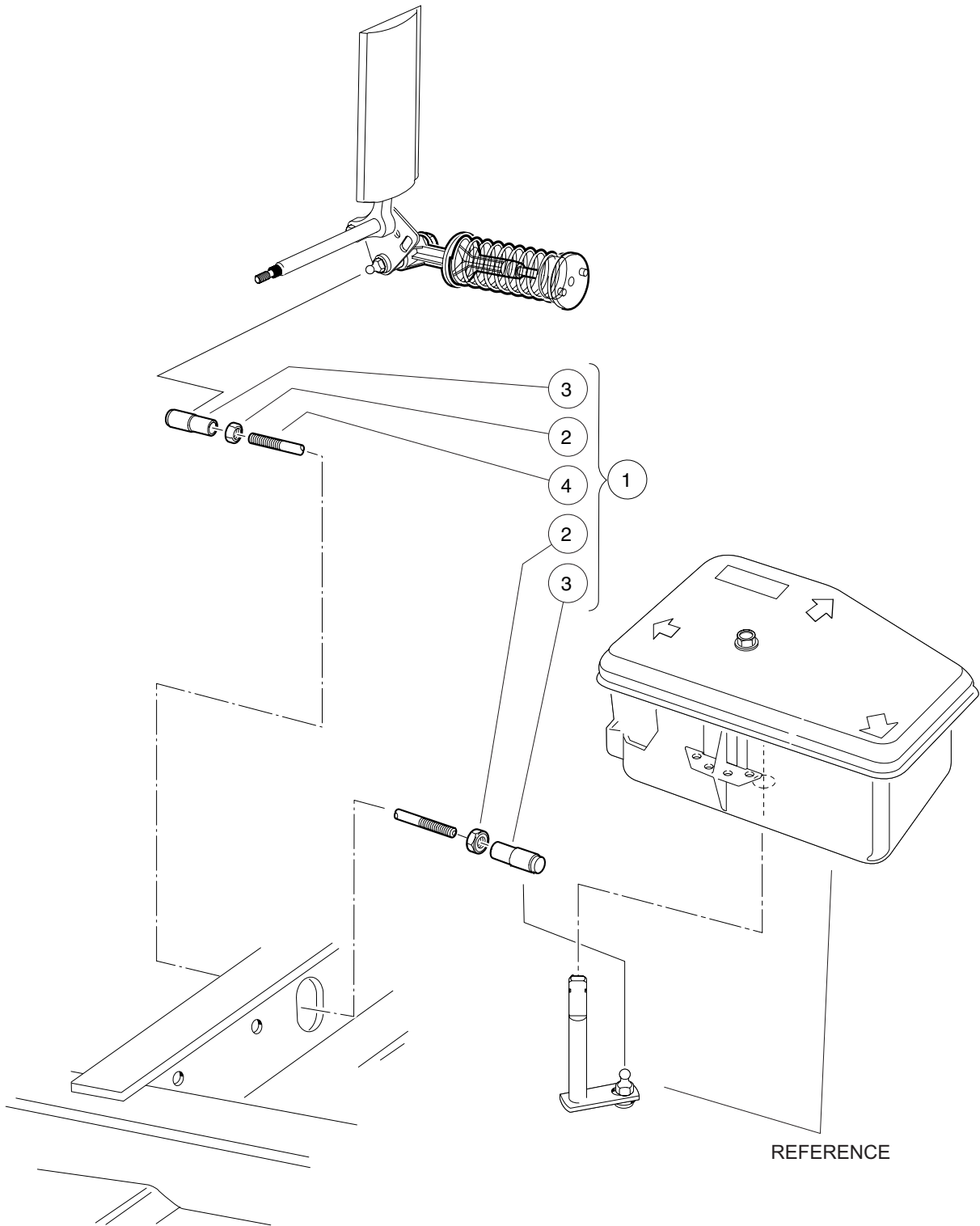
000188-003

# ACCELERATOR PEDAL ASSEMBLY – GASOLINE VEHICLE

ITEM	PART NO.	DESCRIPTION	QTY
		1 2 3 4	
1	603 00 01-26	Accelerator Bracket and Bearing Assembly .....	2
2	603 00 30-48	Washer, 1/4 Flat .....	1
3	603 00 01-94	Washer, 1/4 Flat .....	4
4	603 00 03-92	Cup, Spring .....	1
5	603 00 03-93	Bumper, Spring Return .....	1
6	603 00 03-95	Bearing, Pivot Support .....	1
7	603 00 04-32	Sub Asm, Accelerator Pedal (includes items 8 through 10) .....	1
8	603 00 01-92	Pad, Accelerator Pedal .....	1
9	N/A	Accelerator Pedal Weldment .....	1
10	603 00 00-81	Screw, #10-16 Type AB, Sheet Metal .....	4
11	603 00 04-90	Spring, Accelerator Return .....	1
12	603 00 04-99	Retainer, Spring .....	1
13	603 00 05-00	Stud, 1/4-28 X 1.35 Ball .....	1
14	603 00 05-28	Screw, 1/4-20 X 1.125 Hex Cap .....	4
15	603 00 06-97	Kit, Accelerator Pivot Rod Assembly (includes items 16 through 18) .....	1
16	603 00 22-38	Spacer Assembly (includes item 17) .....	1
17	N/A	Spacer, Accelerator .....	1
18	N/A	Pivot Rod Weldment .....	1
19	603 00 00-65	Washer, 5/16 Type A Flat .....	1
20	603 00 00-68	Screw, 3/8-16 X 1.50 Hex-Head Cap .....	1
21	603 00 00-55	Washer, 3/8 Type A Flat .....	2
22	603 00 00-78	Locknut, 5/16-18 Nylon Insert .....	1
23	603 00 00-89	Locknut, 1/4-20 Nylon Insert .....	4
24	603 00 00-94	Locknut, 1/4-28 Nylon Insert .....	1
25	603 00 00-95	Locknut, 3/8-16 Hex .....	2

4  
G

**4**  
**G**



000362-001

# ACCELERATOR ROD

ITEM	PART NO.	DESCRIPTION	QTY
		1 2 3 4	
1	603 00 32-23	Rod, Accelerator (includes items 2 through 4) .....	1
2	603 00 01-19	Nut, 1/4-28 Hex Jam .....	2
3	603 00 01-29	Joint, Ball .....	2
4	N/A	Accelerator Rod .....	1

4

G

4

G

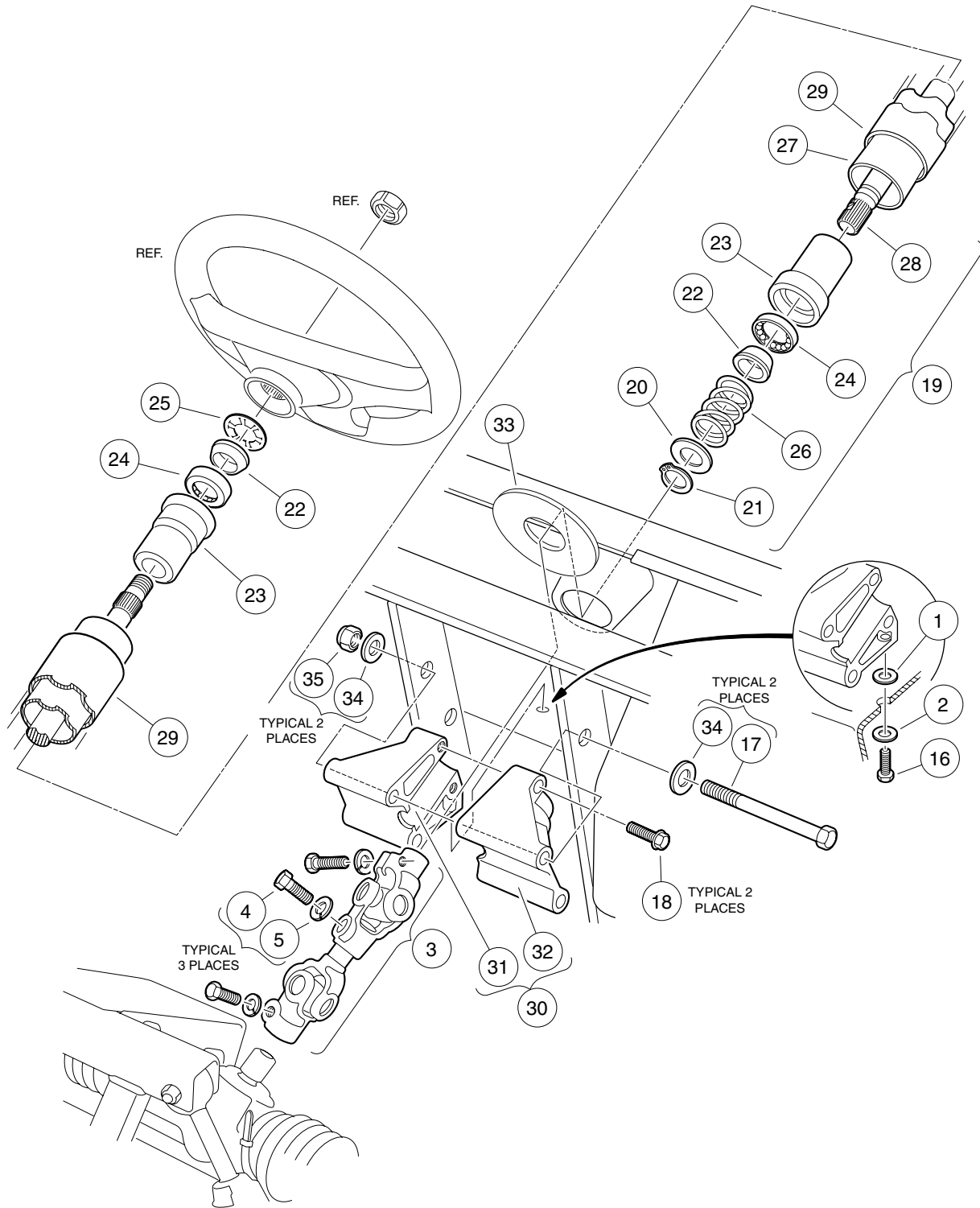


# STEERING, FRONT, AND REAR SUSPENSIONS

---

5

G



000247-001

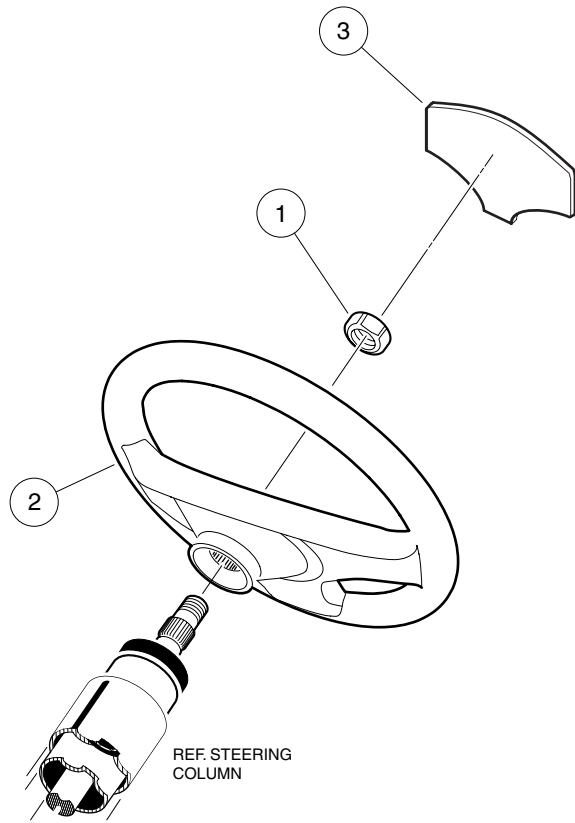
# STEERING COLUMN

ITEM	PART NO.	DESCRIPTION	QTY
		1 2 3 4	
1	603 00 30-45	Washer, 5/16 Type B Flat .....	1
2	603 00 01-27	Washer, 5/16 Flat .....	1
3	603 00 30-63	Intermediate Steering Shaft (includes items 4 and 5) .....	1
4	603 00 03-86	Bolt, Hex-Head, 8mm X 1.25 - 30 .....	3
5	603 00 00-72	Lockwasher, 5/16 Split .....	3
6	603 00 30-73	Steering Column Rebuild Kit (includes items 7 through 15) .....	A/R
7	603 00 30-53	Dust Cover .....	1
8	603 00 01-48	Ring, 0.579 Internal Retaining .....	1
9	603 00 02-12	Wedge, Molded .....	2
10	603 00 02-13	Seat, Plastic Bearing .....	2
11	603 00 30-71	Seal, Bearing .....	1
12	603 00 30-72	Spacer, Shaft .....	1
13	603 00 02-16	Bearing, Ball .....	2
14	603 00 02-17	Ring, Retaining .....	1
15	603 00 02-18	Spring, Steering Shaft .....	1
16	603 00 02-20	Screw, 5/16-18 X 0.75 Thread-Forming .....	1
17	603 00 02-81	Screw, 3/8-16 X 7.00 Hex Cap .....	2
18	603 00 30-86	Screw, 5/16-18 Thrd Forming .....	2
19	603 00 31-61	Steering Shaft Assembly (includes items 20 through 28) .....	1
20	603 00 01-47	Washer, 0.675 ID X 1.19 OD .....	1
21	603 00 01-48	Ring, 0.579 Internal Retaining .....	1
22	603 00 02-12	Wedge, Molded .....	2
23	603 00 02-13	Seat, Plastic Bearing .....	2
24	603 00 02-16	Bearing, Ball .....	2
25	603 00 02-17	Ring, Retaining .....	1
26	603 00 02-18	Spring, Steering Shaft .....	1
27	603 00 31-62	Column, Aluminum Steering .....	1
28	603 00 03-90	Shaft Steering Column .....	1
29	603 00 31-63	Tube Cover, Steering Column .....	1
30	603 00 32-46	Kit, Steering Column Mounting Bracket (includes items 31 and 32) .....	1
31	N/A	Bracket, RH Steering Column Mount .....	1
32	N/A	Bracket, LH Steering column mount .....	1
33	603 00 08-68	Boot, Steering Column Round .....	1
34	603 00 00-55	Washer, 3/8 Type A Flat .....	4
35	603 00 00-95	Locknut, 3/8-16 Hex .....	2
		Note: Item 6 is not illustrated.	

5

G

**5**  
**G**

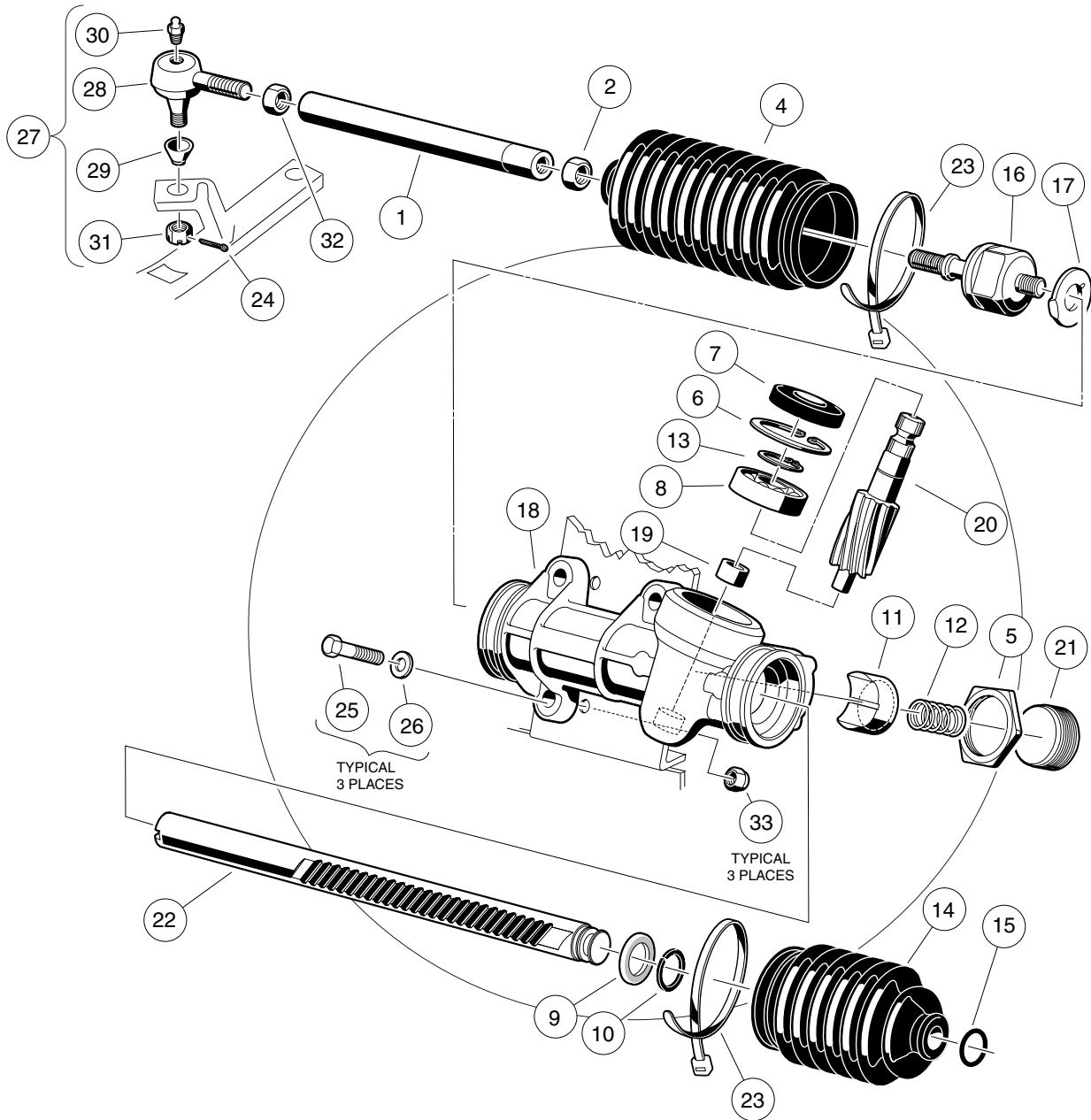


000246-001

# STEERING WHEEL

ITEM	PART NO.	DESCRIPTION	QTY
		1 2 3 4	
1	603 00 03-89	Nut, 5/8-18 Nylon Insert Jam .....	1
2	603 00 32-77	Steering Wheel, Spline .....	1
3	603 00 32-91	Wheel Center .....	1

5  
G



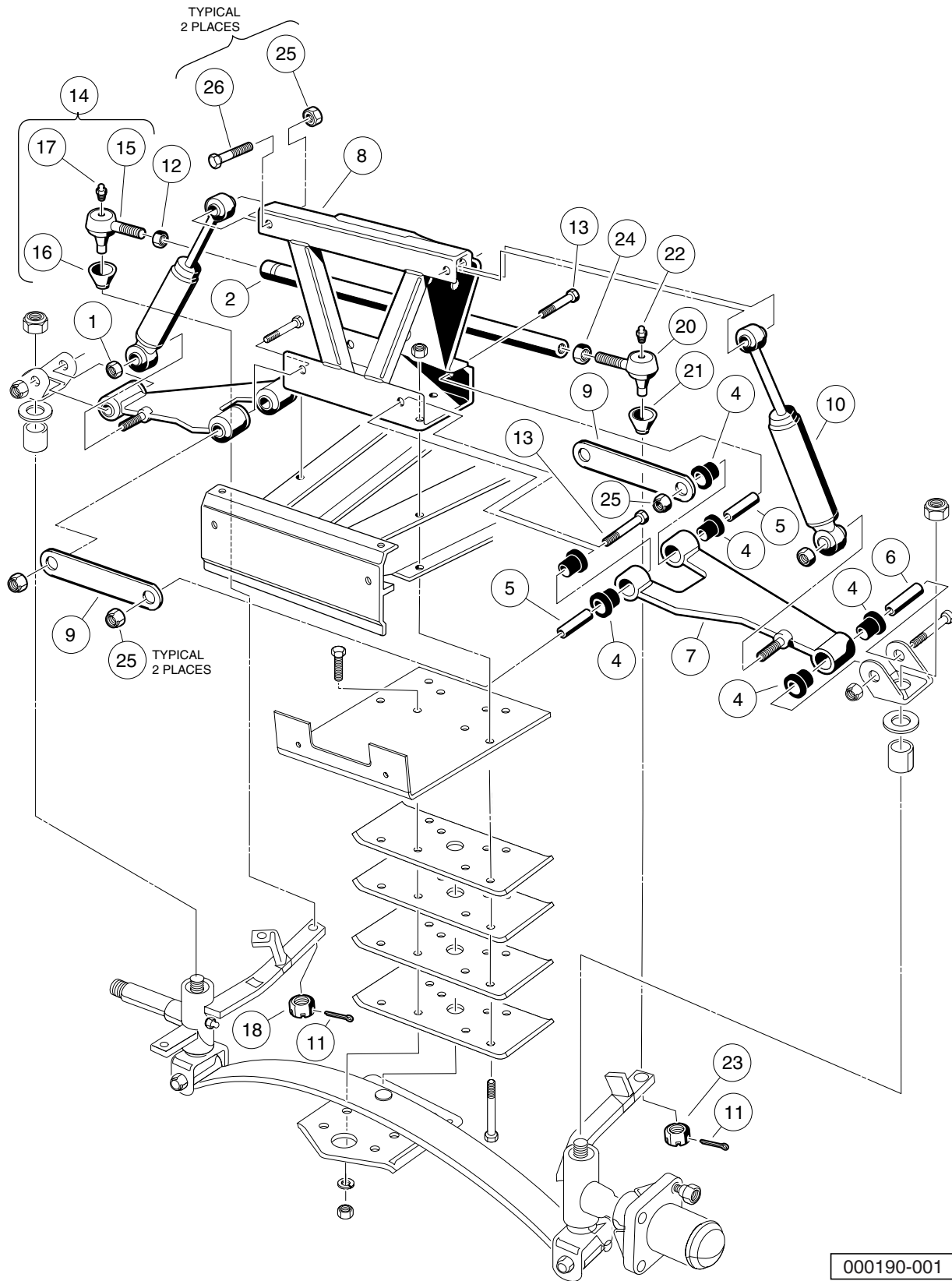
000189-001

# STEERING GEAR ASSEMBLY

ITEM	PART NO.	DESCRIPTION	QTY
		1 2 3 4	
1	603 00 30-54	Link, Rack and Pinion Drag .....	1
2	603 00 01-67	Nut, 12mm Hex .....	1
3	603 00 32-01	Steering Gear Assembly (without yoke) (includes items 4 through 23) .....	1
4	603 00 01-66	Bellows, Long .....	1
5	603 00 01-68	Rack Screw Locknut .....	1
6	603 00 01-69	Snap Ring .....	1
7	603 00 01-70	Seal, Steering Pinion Dust .....	1
8	603 00 05-49	Bearing, Ball .....	1
9	603 00 32-02	Stop Washer .....	1
10	603 00 32-03	Stop Ring, C-Type .....	1
11	603 00 05-50	Support Yoke .....	1
12	603 00 05-51	Rack Guide Pressure Spring .....	1
13	603 00 05-52	Ring, Stop, C-Type .....	1
14	603 00 32-04	Bellows, Short .....	1
15	603 00 32-05	Dust Seal Retaining Ring .....	1
16	603 00 05-53	Inner Ball Joint Asm .....	1
17	603 00 32-06	Washer, Tab .....	1
18	N/A	Box, Steering Gear .....	1
19	N/A	Bearing, Lower Pinion .....	1
20	N/A	Pinion, Steering .....	1
21	N/A	Screw, Rack Guide .....	1
22	N/A	Rack, Steering .....	1
23	603 00 29-63	Tie Wrap, 8" Nylon .....	2
24	603 00 00-63	Pin, 3/32 X 1.00 Sq Cut Cotter .....	1
25	603 00 00-68	Screw, 3/8-16 X 1.50 Hex-Head Cap .....	3
26	603 00 00-55	Washer, 3/8 Type A Flat .....	3
27	603 00 20-40	Ball Joint, Left (includes items 28 through 31) .....	1
28	N/A	Socket, LH Vertical .....	1
29	603 00 30-47	Seal, Vertical Socket Dust .....	1
30	603 00 02-64	Fitting, 1/4-28 Thread-Forming Grease .....	1
31	603 00 33-09	Nut, 3/8-24 UNF Hex .....	1
32	603 00 33-08	Nut, 1/2-20 Hex, Left-Hand Thread .....	1
33	603 00 00-95	Locknut, 3/8-16 Hex .....	3

**5**

**G**



000190-001

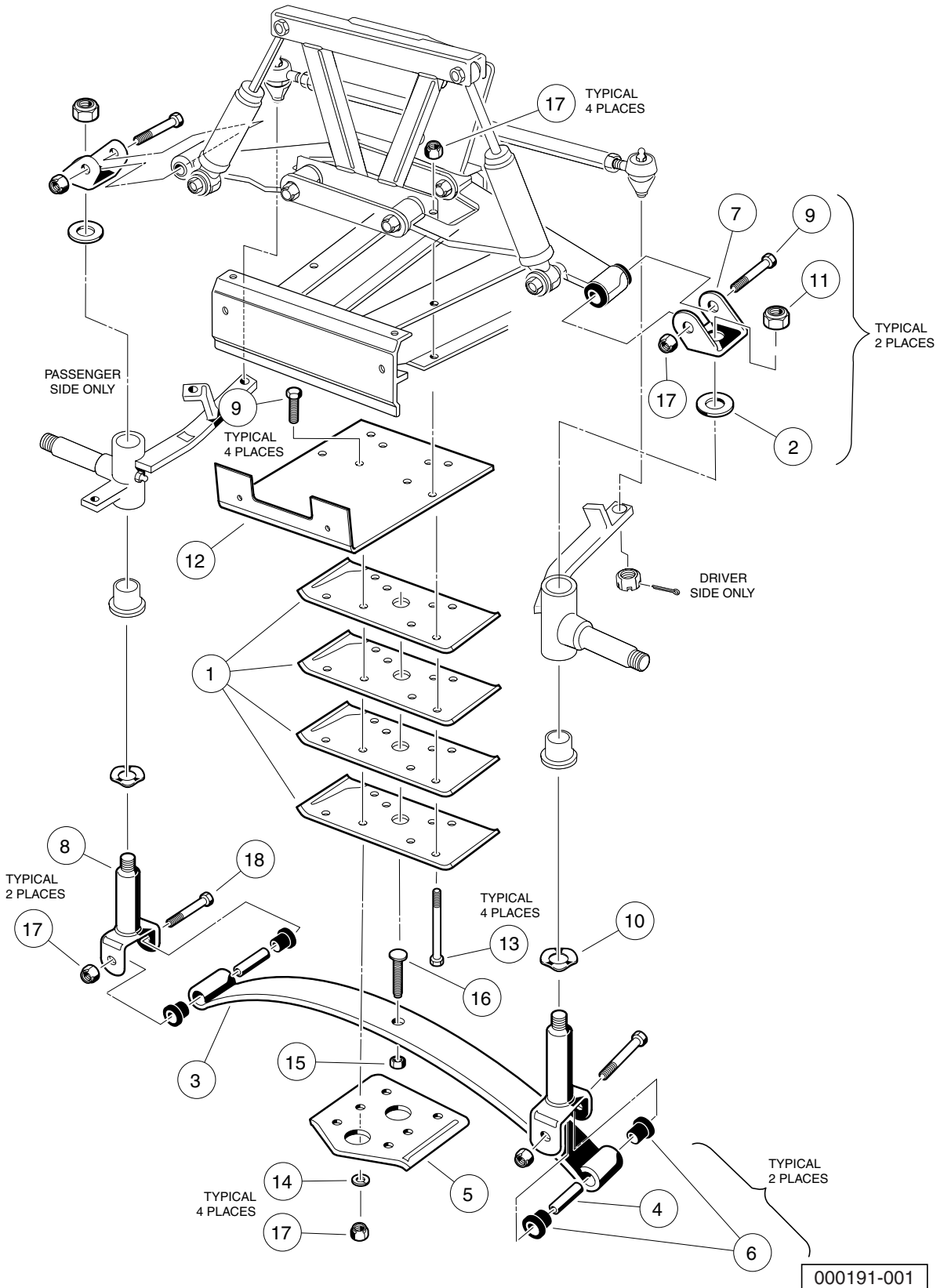


# FRONT SUSPENSION, UPPER – VEHICLES WITH TWO-WHEEL BRAKES

ITEM	PART NO.	DESCRIPTION	QTY
		1 2 3 4	
1	603 00 01-01	Locknut, 3/8-16 Dimpled .....	2
2	603 00 30-36	Tie Rod .....	1
3	603 00 36-32	Sub-Assembly, Delta A-Plate (includes items 4 through 7) .....	2
4	603 00 02-90	Bushing, Urethane .....	6
5	603 00 30-87	Sleeve, Delta Inner .....	2
6	603 00 30-88	Sleeve, Delta Outer .....	1
7	N/A	Delta A-Plate .....	1
8	603 00 30-91	Delta Shock and Gear Support Assembly .....	1
9	603 00 31-60	A-Plate Strap .....	2
10	603 00 43-77	Shock Absorber, Front, Common .....	2
11	603 00 00-63	Pin, 3/32 X 1.00 Sq Cut Cotter .....	2
12	603 00 33-03	Nut, 1/2-20 Hex .....	1
13	603 00 33-04	Screw, 3/8-16 X 2.25 Hx Hd Cap .....	4
14	603 00 20-39	Ball Joint, Right-Hand (includes items 15 through 18) .....	1
15	N/A	Socket, RH Vertical .....	1
16	603 00 30-47	Seal, Vertical Socket Dust .....	1
17	603 00 02-64	Fitting, 1/4-28 Thread-Forming Grease .....	1
18	603 00 33-09	Nut, 3/8-24 UNF Hex .....	1
19	603 00 20-40	Ball Joint, Left (includes items 20 through 23) .....	1
20	N/A	Socket, LH Vertical .....	1
21	603 00 30-47	Seal, Vertical Socket Dust .....	1
22	603 00 02-64	Fitting, 1/4-28 Thread-Forming Grease .....	1
23	603 00 33-09	Nut, 3/8-24 UNF Hex .....	1
24	603 00 33-08	Nut, 1/2-20 Hex, Left-Hand Thread .....	1
25	603 00 00-95	Locknut, 3/8-16 Hex .....	10
26	603 00 33-11	Bolt, 3/8-16 X 1.75 Hex .....	2

**5**  
**G**

**5**  
**G**

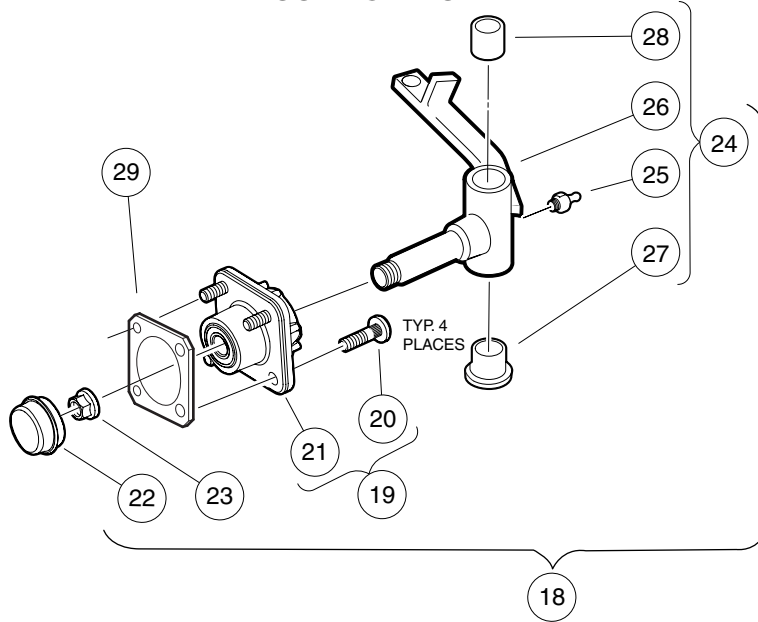


# FRONT SUSPENSION, LOWER – VEHICLES WITH TWO-WHEEL BRAKES

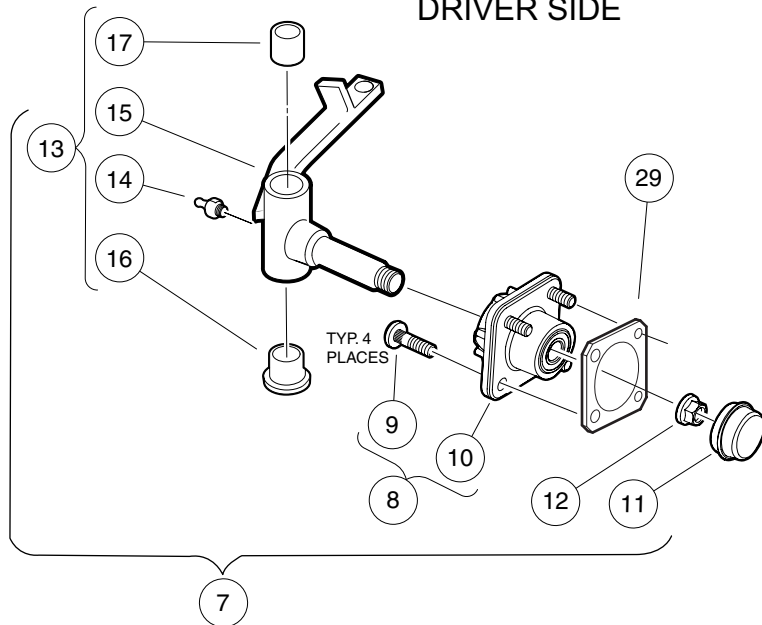
ITEM	PART NO.	DESCRIPTION	QTY
		1 2 3 4	
1	603 00 30-34	Plate, Spring Mount .....	4
2	603 00 01-05	Bearing, Thrust .....	2
3	603 00 30-49	Spring, Front Leaf .....	1
4	603 00 01-36	Bushing, Steel .....	2
5	603 00 30-75	Plate, Front Spring Retainer .....	1
6	603 00 02-63	Bushing, Urethane .....	4
7	603 00 30-90	Clevis, Delta Upper .....	2
8	603 00 30-92	King Pin Assembly .....	2
9	603 00 02-91	Screw, 3/8-16 X 2.75 Hx Hd Cap .....	6
10	603 00 02-92	Washer, 1.125 Od Wave .....	2
11	603 00 05-78	Locknut, 1/2-20 Nylon Insert .....	2
12	603 00 32-97	Support, Brush Guard .....	1
13	603 00 20-58	Screw, 3/8-16 X 5.50 Hx Hd Cap .....	4
14	603 00 00-56	Washer, Lock, Hel Sp 3/8 Reg .....	4
15	603 00 33-05	Nut, Hex 3/8-16 .....	1
16	603 00 33-10	Screw, Eccentric Adjustment .....	1
17	603 00 00-95	Locknut, 3/8-16 Hex .....	8
18	603 00 00-96	Screw, 3/8-16 X 3.375 Hex Cap .....	2

**5**  
**G**

**PASSENGER SIDE**

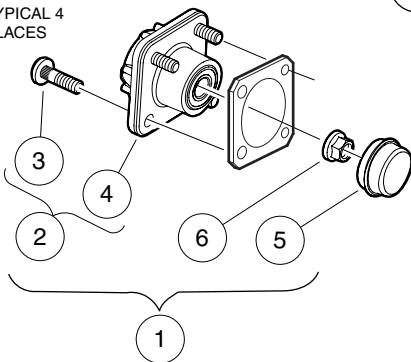


**DRIVER SIDE**



**REPLACEMENT HUB FOR DRIVER OR PASSENGER SIDE**

TYPICAL 4 PLACES



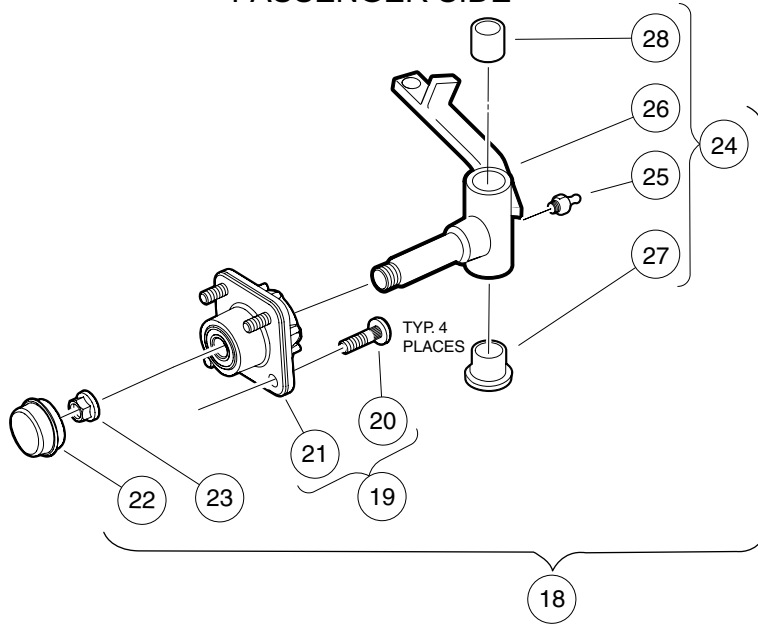
000301-001

# FRONT SPINDLES AND HUBS – EARLIER STYLE

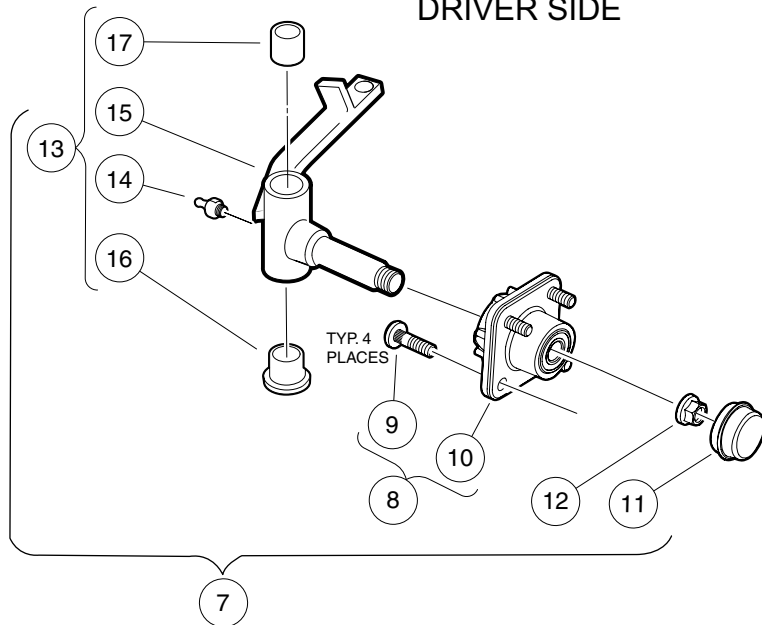
ITEM	PART NO.	DESCRIPTION	QTY
		1 2 3 4	
1	603 00 22-69	Replacement Kit, Front Hub (includes items 2 through 6) .....	2
2	N/A	Front Hub Assembly, Ball Bearing (includes items 3 and 4) .....	1
3	603 00 32-60	Lug Stud, 1/2-20 UNF, 4037 Stl .....	4
4	N/A	Hub, Front .....	1
5	603 00 32-58	Cap, Front Hub .....	1
6	603 00 32-59	Hex Nut, Locking Flange, M14x2 .....	1
7	N/A	Asm, Front Hub And Spindle, Left-Hand (includes items 8 through 13) .....	1
8	N/A	Front Hub Assembly, Ball Bearing (includes items 9 and 10) .....	1
9	603 00 32-60	Lug Stud, 1/2-20 UNF, 4037 Stl .....	4
10	N/A	Hub, Front .....	1
11	603 00 32-58	Cap, Front Hub .....	1
12	603 00 32-59	Hex Nut, Locking Flange, M14x2 .....	1
13	603 00 32-62	Assembly, Spindle, Left-Hand (includes items 14 through 17) .....	1
14	603 00 02-64	Fitting, 1/4-28 Thread-Forming Grease .....	1
15	N/A	Sub-Assembly, Spindle, Left-Hand .....	1
16	603 00 00-70	Bushing, Flanged Bronze .....	1
17	603 00 00-88	Bushing, Bronze Spindle .....	1
18	N/A	Asm, Front Hub And Spindle, Right-Hand (includes items 19 through 24) .....	1
19	N/A	Front Hub Assembly, Ball Bearing (includes items 20 and 21) .....	1
20	603 00 32-60	Lug Stud, 1/2-20 UNF, 4037 Stl .....	4
21	N/A	Hub, Front .....	1
22	603 00 32-58	Cap, Front Hub .....	1
23	603 00 32-59	Hex Nut, Locking Flange, M14x2 .....	1
24	603 00 32-61	Assembly, Spindle, Right-Hand (includes items 25 through 28) .....	1
25	603 00 02-64	Fitting, 1/4-28 Thread-Forming Grease .....	1
26	N/A	Sub-Assembly, Spindle, Right-Hand .....	1
27	603 00 00-70	Bushing, Flanged Bronze .....	1
28	603 00 00-88	Bushing, Bronze Spindle .....	1
29	603 00 23-67	Spacer, Wheel .....	2

5  
G

**PASSENGER SIDE**

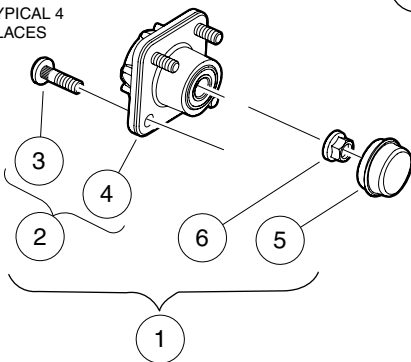


**DRIVER SIDE**



**REPLACEMENT HUB FOR DRIVER OR PASSENGER SIDE**

TYPICAL 4 PLACES



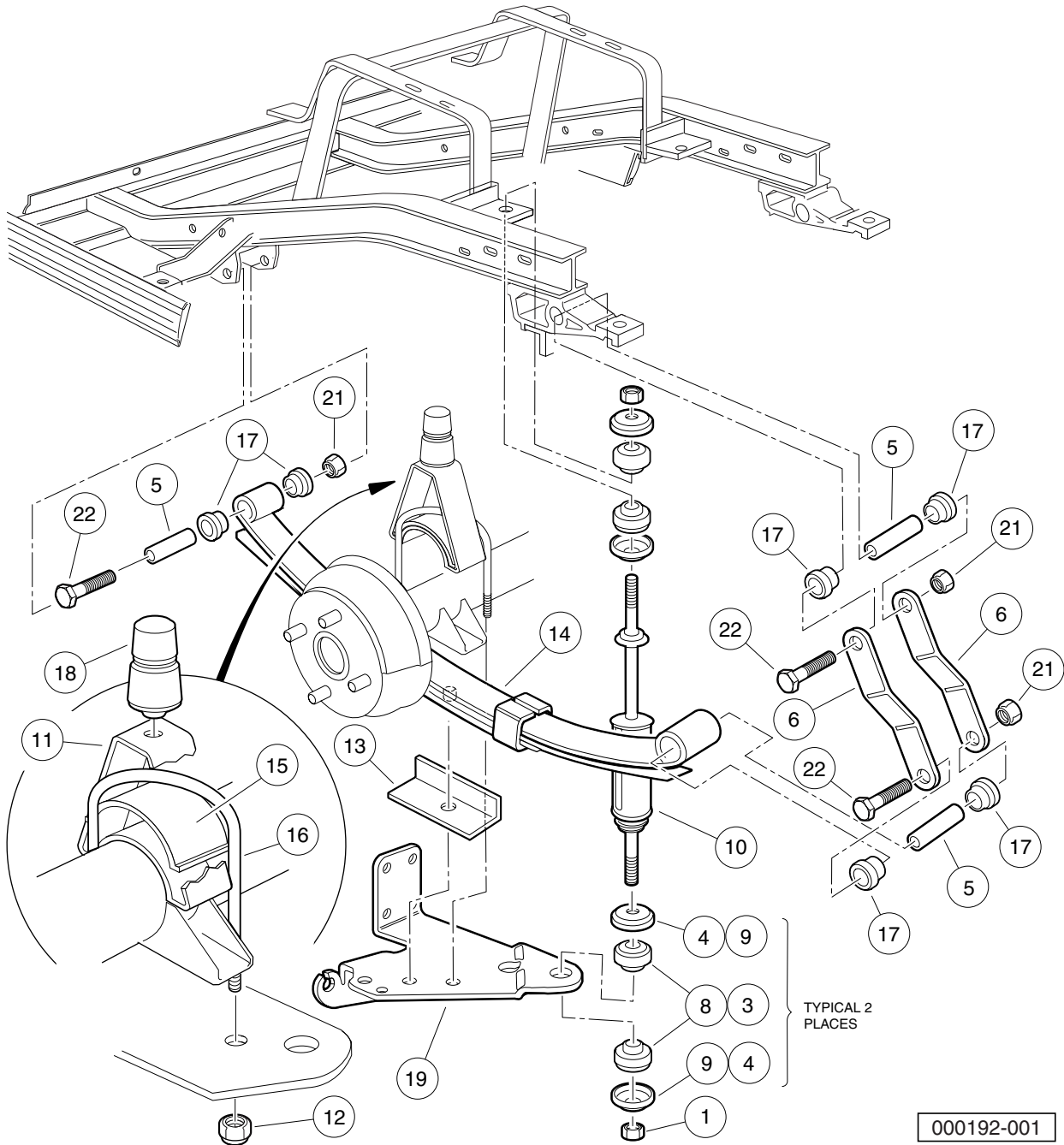
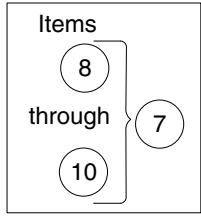
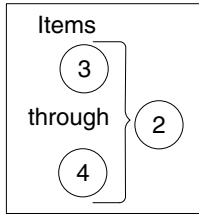
000301-002

# FRONT SPINDLES AND HUBS – LATER STYLE

ITEM	PART NO.	DESCRIPTION	QTY
		1 2 3 4	
1	603 00 22-69	Replacement Kit, Front Hub (includes items 2 through 6) .....	2
2	N/A	Front Hub Assembly, Ball Bearing (includes items 3 and 4) .....	1
3	603 00 32-60	Lug Stud, 1/2-20 UNF, 4037 Stl .....	4
4	N/A	Hub, Front .....	1
5	603 00 32-58	Cap, Front Hub .....	1
6	603 00 32-59	Hex Nut, Locking Flange, M14x2 .....	1
7	N/A	Asm, Hub And Spindle, Left-Hand Ext (includes items 8 through 13) .....	1
8	N/A	Front Hub Assembly, Ball Bearing (includes items 9 and 10) .....	1
9	603 00 32-60	Lug Stud, 1/2-20 UNF, 4037 Stl .....	4
10	N/A	Hub, Front .....	1
11	603 00 32-58	Cap, Front Hub .....	1
12	603 00 32-59	Hex Nut, Locking Flange, M14x2 .....	1
13	603 00 23-63	Asm, Spindle, LH, Ext (includes items 14 through 17) .....	1
14	603 00 02-64	Fitting, 1/4-28 Thread-Forming Grease .....	1
15	603 00 23-65	Subasm, Spindle, LH, Ext .....	1
16	603 00 00-70	Bushing, Flanged Bronze .....	1
17	603 00 00-88	Bushing, Bronze Spindle .....	1
18	N/A	Asm, Hub And Spindle, Right-Hand Ext (includes items 19 through 24) .....	1
19	N/A	Front Hub Assembly, Ball Bearing (includes items 20 and 21) .....	1
20	603 00 32-60	Lug Stud, 1/2-20 UNF, 4037 Stl .....	4
21	N/A	Hub, Front .....	1
22	603 00 32-58	Cap, Front Hub .....	1
23	603 00 32-59	Hex Nut, Locking Flange, M14x2 .....	1
24	603 00 23-62	Asm, Spindle, RH, Ext (includes items 25 through 28) .....	1
25	603 00 02-64	Fitting, 1/4-28 Thread-Forming Grease .....	1
26	603 00 23-64	Subasm, Spindle, RH, Ext .....	1
27	603 00 00-70	Bushing, Flanged Bronze .....	1
28	603 00 00-88	Bushing, Bronze Spindle .....	1

5  
G

**5**  
**G**





# REAR SUSPENSION – VEHICLES WITH TWO-WHEEL BRAKES

ITEM	PART NO.	DESCRIPTION	QTY
		1 2 3 4	
1	603 00 01-04	Nut, 3/8-24 Hex .....	4
2	603 00 30-22	Kit, Shock Absorber Cushion (includes items 3 and 4) .....	4
3	N/A	Cushion, Shock Absorber .....	2
4	N/A	Retainer, Shock Absorber Cushion .....	2
5	603 00 01-36	Bushing, Steel .....	6
6	603 00 30-52	Shackle, Rear Spring .....	4
7	603 00 30-56	Shock Absorber Kit (includes items 8 through 10) .....	1
8	N/A	Cushion, Shock Absorber .....	8
9	N/A	Retainer, Shock Absorber Cushion .....	8
10	603 00 43-78	Shock Absorber Rear Prv Spd .....	2
11	603 00 30-76	Bumper Mount, Angled .....	2
12	603 00 02-33	Locknut, 7/16-14 Nylon Insert .....	4
13	603 00 30-77	Spring Retainer .....	2
14	603 00 30-78	Rear Leaf Spring .....	2
15	603 00 30-79	Spacer, Overload Bumper .....	2
16	603 00 30-80	U-Bolt .....	2
17	603 00 02-63	Bushing, Urethane .....	12
18	603 00 31-59	Bumper, Jounce .....	2
19	603 00 36-33	Bracket, Left-Hand .....	1
20	603 00 36-34	Bracket, Right .....	1
21	603 00 00-95	Locknut, 3/8-16 Hex .....	6
22	603 00 00-96	Screw, 3/8-16 X 3.375 Hex Cap .....	6

5  
G

5

G

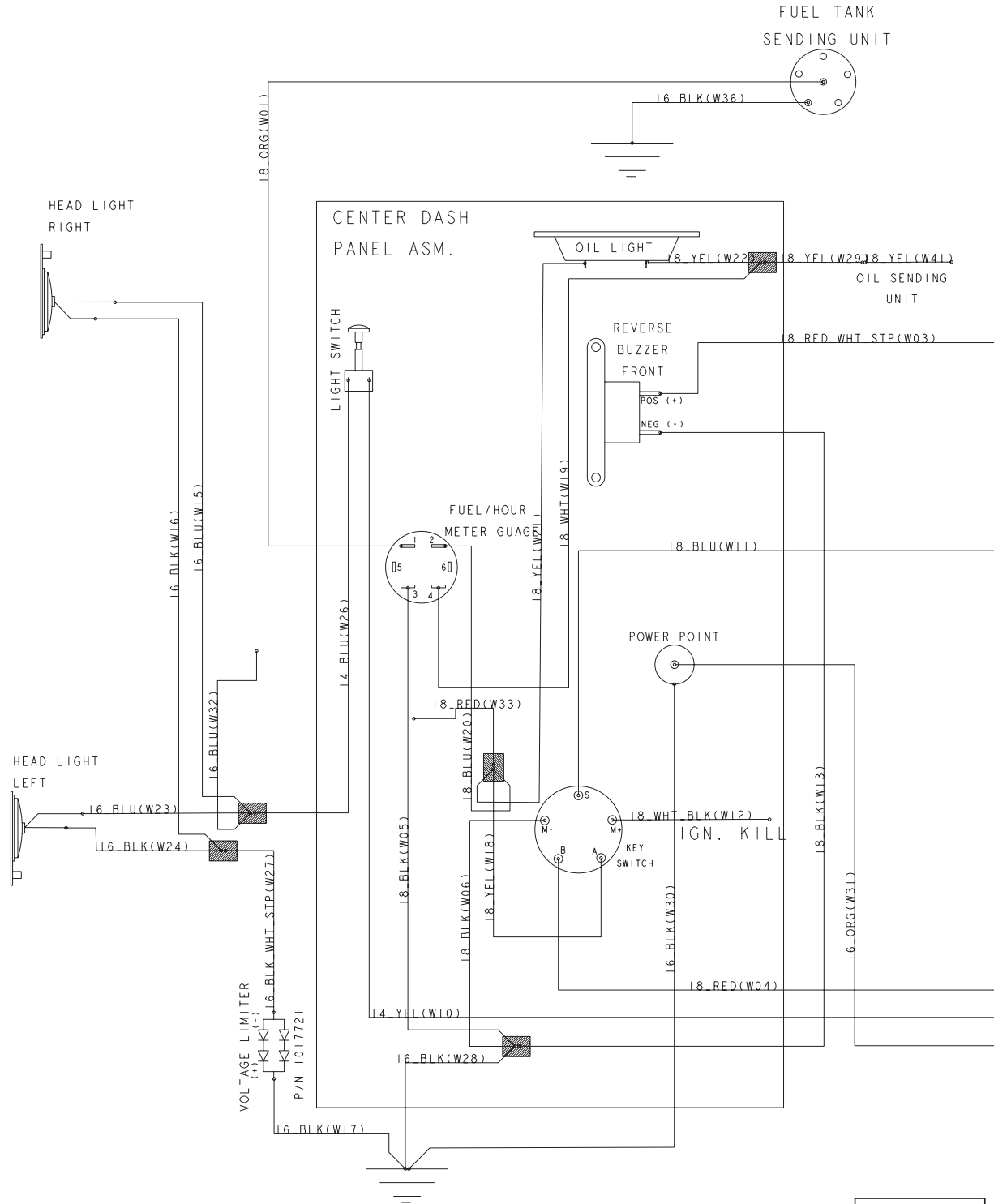
# ELECTRICAL SYSTEM

---

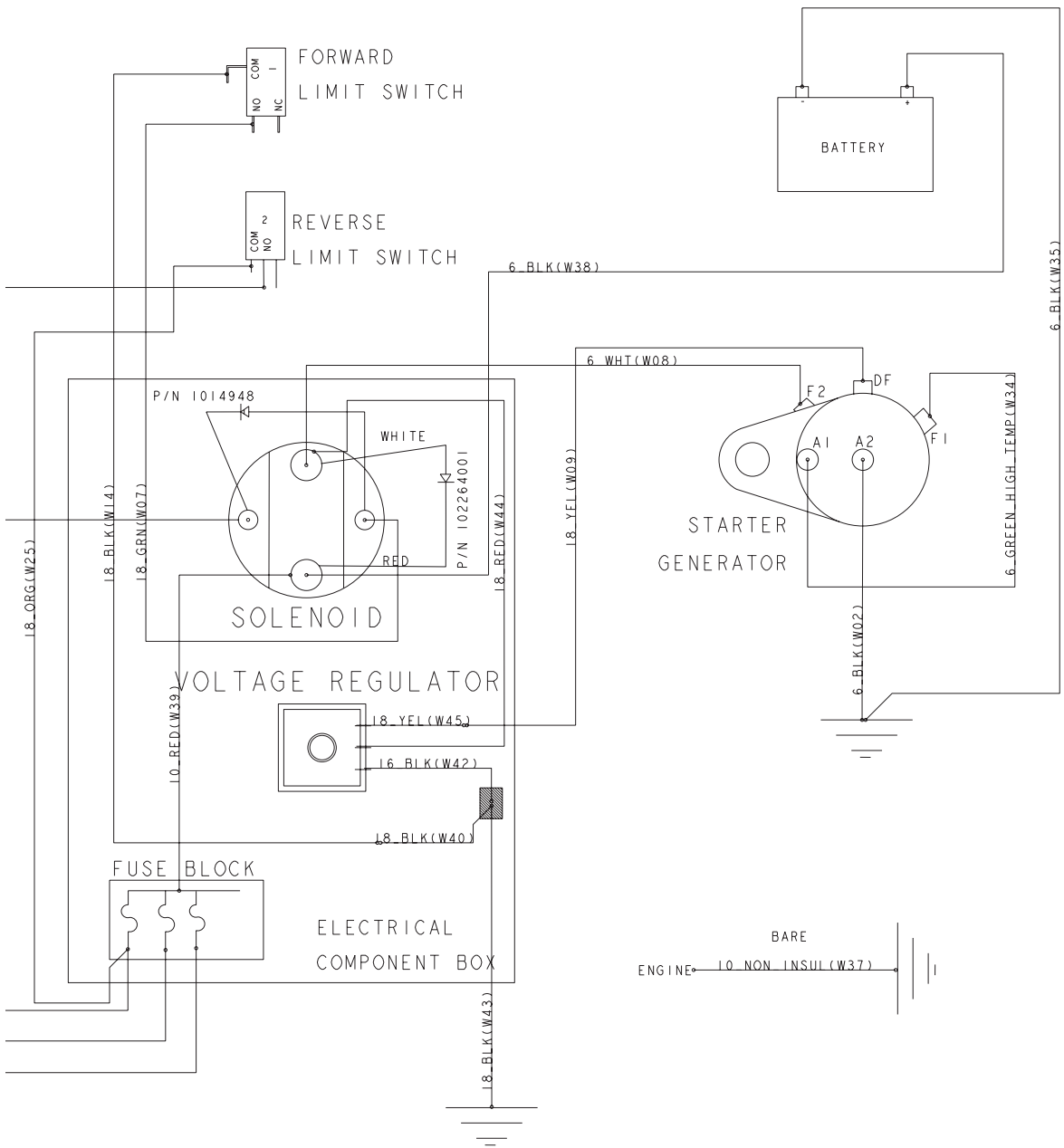
6

G

# GASOLINE VEHICLE



000234-001



000234-001

**6**

**G**

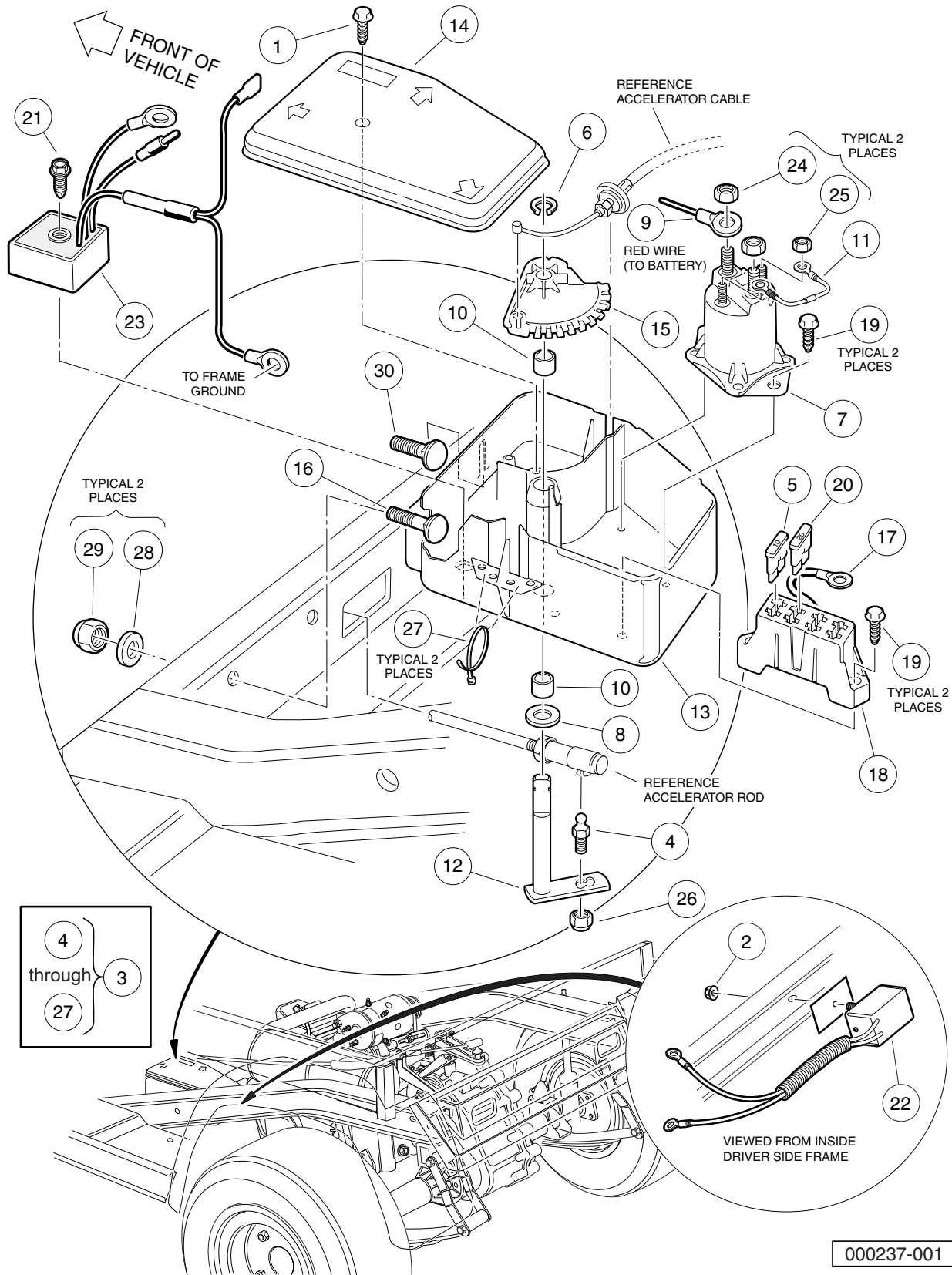
See previous two pages for illustration.

# WIRING – GASOLINE VEHICLE

ITEM	PART NO.	DESCRIPTION	QTY
1	603 00 32-82	1 2 3 4 Wire Harness, Gasoline Vehicle .....	1

6  
G

**6**  
**G**



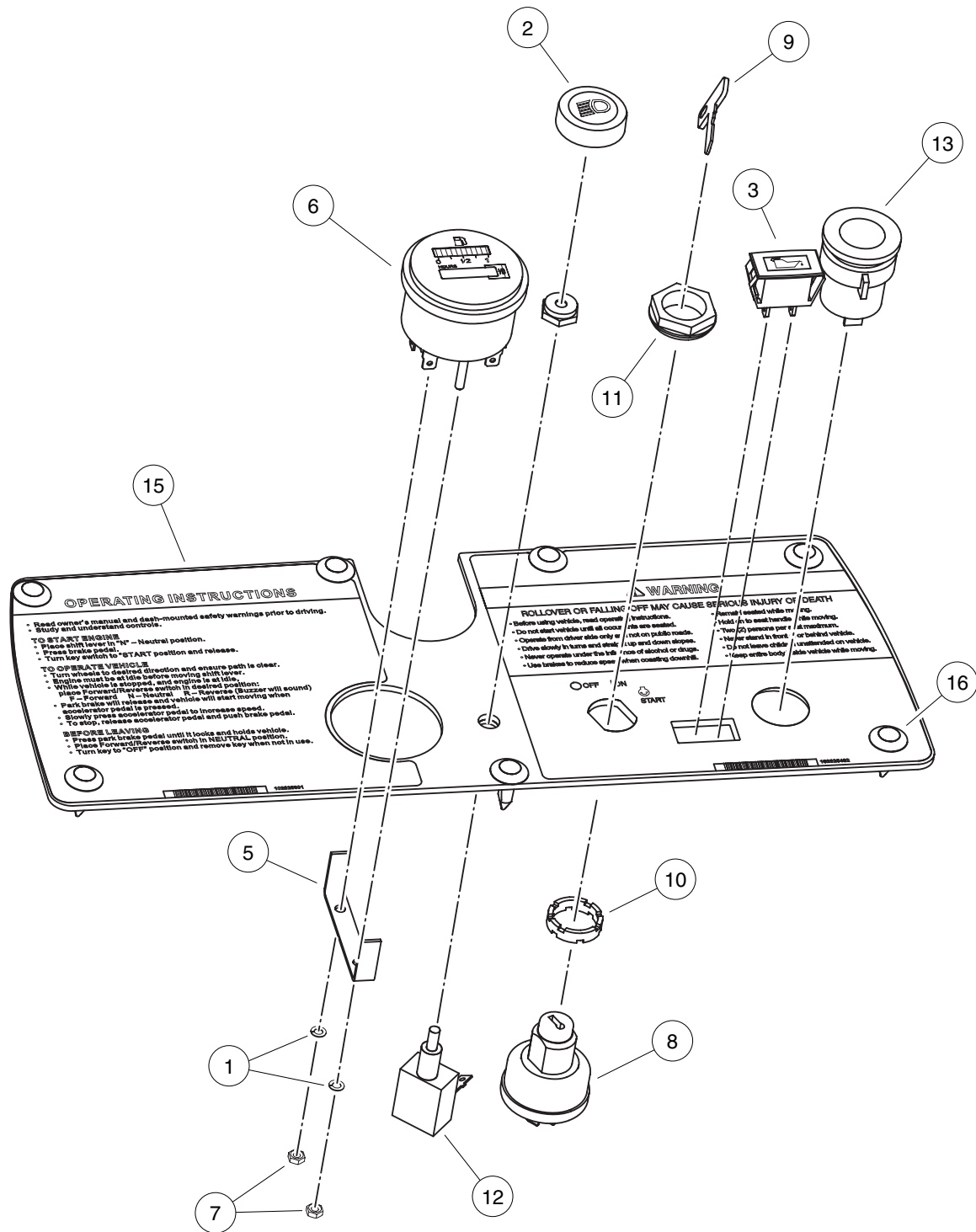


# ELECTRICAL COMPONENT BOX – GASOLINE VEHICLE

ITEM	PART NO.	DESCRIPTION	QTY
		1 2 3 4	
1	603 00 02-68	Screw, #12-16 X 0.625 Hi-Lo .....	1
2	603 00 06-16	Locknut, 5/16-18 Hex Flange .....	1
3	N/A	Assembly, Electrical Component Box (includes items 4 through 27) .....	1
4	603 00 01-17	Stud, 1/4-28 X 0.560 Ball .....	1
5	603 00 01-35	Fuse, 10-Amp .....	1
6	603 00 01-77	Ring, 0.338" Internal Retaining .....	1
7	603 00 01-80	Solenoid, 12-Volt .....	1
8	603 00 02-04	Washer, 0.38" ID Delrin Flat .....	1
9	603 00 02-11	Wire Assembly #6 Red .....	1
10	603 00 02-15	Bushing, Secondary Weight, Split .....	2
11	603 00 02-38	Diode .....	1
12	603 00 02-49	Bell Crank and Shaft Assembly .....	1
13	603 00 02-51	Box, Electrical Component .....	1
14	603 00 02-52	Cover, Electric Box .....	1
15	603 00 02-53	Cam, Electric Box .....	1
16	603 00 02-57	Bolt, Carriage, 5/16-18 X 2.0 .....	1
17	603 00 02-66	Wire Assy, #10 Red .....	1
18	603 00 02-67	Fuse Block .....	1
19	603 00 02-68	Screw, #12-16 X 0.625 Hi-Lo .....	4
20	603 00 02-93	Fuse, 20-Amp .....	1
21	603 00 05-26	Screw, 1/4-15 X 1.50 Hi-lo Hex .....	1
22	603 00 08-26	Diode Assembly .....	1
23	603 00 22-87	Voltage Regulator .....	1
24	603 00 00-66	Nut, 5/16-18 Hex .....	2
25	603 00 00-84	Nut, #10-32 Hex .....	2
26	603 00 00-94	Locknut, 1/4-28 Nylon Insert .....	1
27	603 00 29-63	Tie Wrap, 8" Nylon .....	2
28	603 00 00-65	Washer, 5/16 Type A Flat .....	2
29	603 00 00-78	Locknut, 5/16-18 Nylon Insert .....	2
30	603 00 00-82	Bolt, Carriage, 5/16-18 X 1.5 .....	1

**6**

**G**



**OPERATING INSTRUCTIONS**

- Read owner's manual and dash-mounted safety warnings prior to driving.
- Study and understand controls.

**TO START ENGINE**

- Place shift lever in "N" - Neutral position.
- Press brake pedal.
- Turn key switch to "START" position and release.

**TO OPERATE VEHICLE**

- Turn wheels to desired direction and ensure path is clear.
- Engine must be at idle before moving shift lever.
- While vehicle is stopped, and engine is at idle, place Forward/Reverse switch in desired position:
  - F - Forward
  - N - Neutral
  - R - Reverse (Buzzer will sound)
- Park brake will release and vehicle will start moving when accelerator pedal is depressed.
- Slowly press accelerator pedal to increase speed.
- To stop, release accelerator pedal and push brake pedal.

**BEFORE LEAVING**

- Press park brake pedal until it locks and holds vehicle.
- Place Forward/Reverse switch in NEUTRAL position.
- Turn key to "OFF" position and remove key when not in use.

**WARNING**

**ROLLOVER OR FALLING OFF MAY CAUSE SERIOUS INJURY OR DEATH**

- Before using vehicle, read operator instructions.
- Do not drink alcohol while operating vehicle.
- Operate from driver side only as designed.
- Drive slowly in turns and avoid sharp turns.
- Never operate under the influence of alcohol or drugs.
- Use brakes to reduce speed when descending downhill.

**REAR SEAT BELT**

- Buckle in to seat before driving.
- Do not pressure seat or backrest.
- Do not stand in front of or behind vehicle.
- Do not lean or fall off vehicle while moving.
- Keep within body of vehicle while moving.

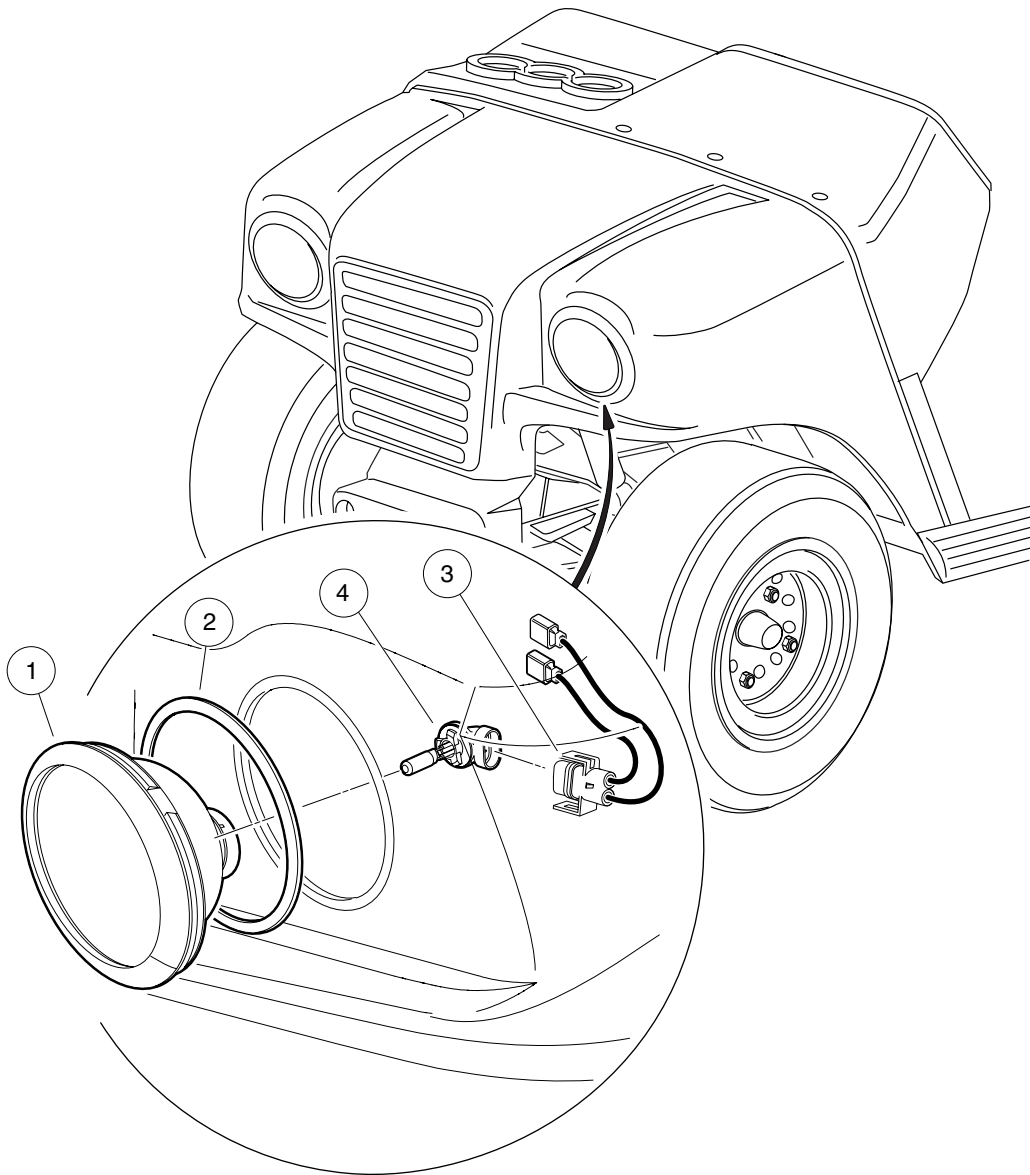
OFF ON START

000232-001

# ELECTRICAL COMPONENTS, FRONT BODY – GASOLINE VEHICLE

ITEM	PART NO.	DESCRIPTION	QTY
		1 2 3 4	
1	N/A	Lockwasher, M4 .....	2
2	603 00 01-91	Knob, Light Switch .....	1
3	603 00 03-66	Light, Oil .....	1
4	603 00 26-19	Gauge, Fuel/Hour, with Bracket (includes items 5 and 6) .....	1
5	N/A	Bracket, Fuel Gauge/Hour Meter .....	1
6	N/A	Gauge, Fuel/Hour .....	1
7	603 00 06-33	Nut, M4-0.7 .....	2
8	603 00 07-27	Key Switch 12v Key Start .....	1
9	603 00 07-28	Key Set .....	A/R
10	603 00 07-60	Spacer, Keyswitch .....	1
11	603 00 07-61	Nut, Key Switch .....	1
12	603 00 07-62	Switch, Light .....	1
13	603 00 08-01	Receptacle, Accessory .....	1
14	603 00 32-83	Panel, Instrument .....	1
15	603 00 32-84	Panel, Instrument (with 12-Volt Accessory Outlet Cutout) .....	1
16	603 00 06-95	Rivet, Removable, Tuflok 1/4" .....	7

6  
G

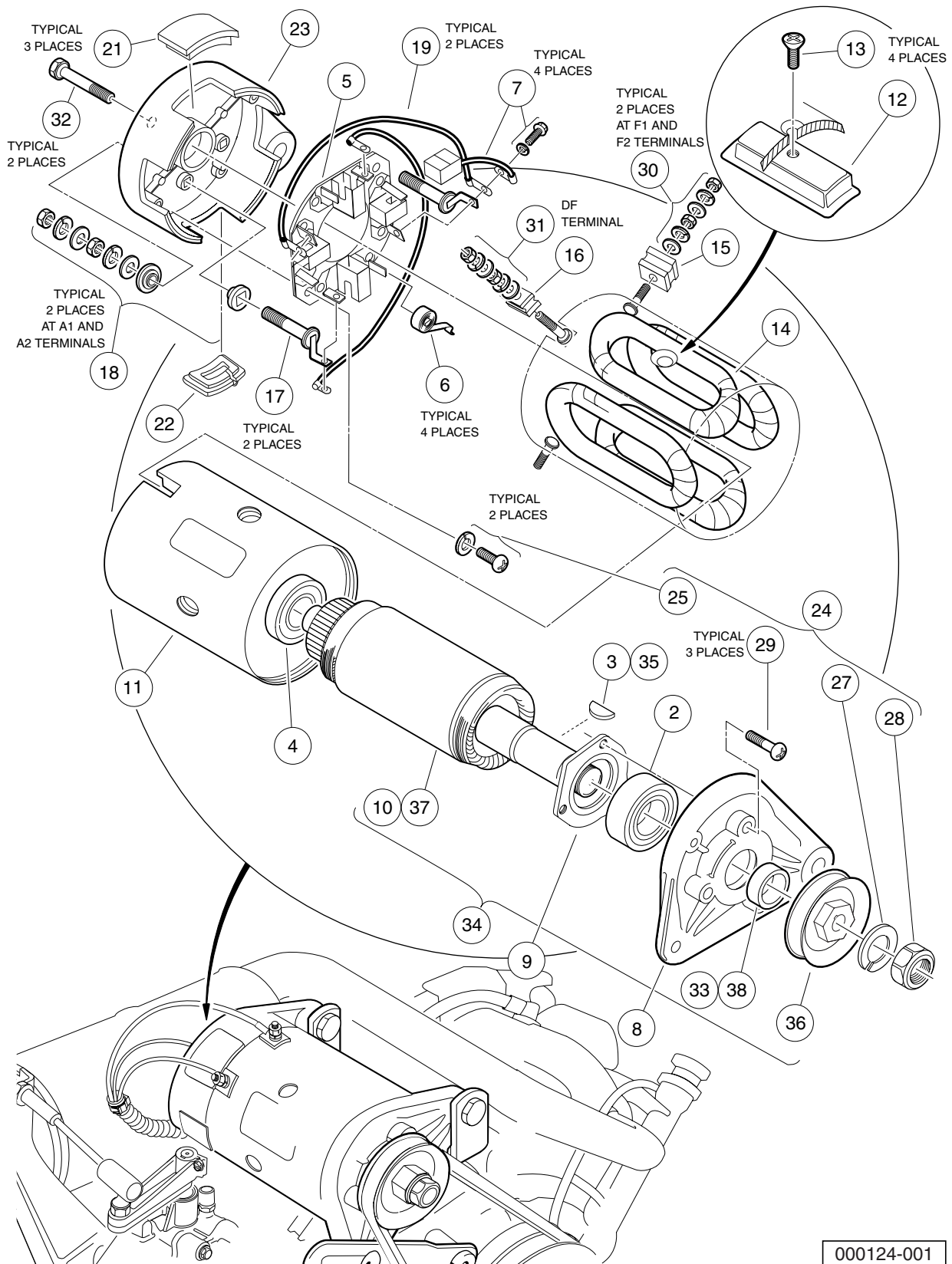


000230-001

# HEADLIGHTS

ITEM	PART NO.	DESCRIPTION	QTY
		1 2 3 4	
1	603 00 16-77	Assembly, Headlight .....	2
2	603 00 17-98	Spacer, Headlight, Oval .....	2
3	603 00 17-99	Harness, Headlight .....	2
4	603 00 19-41	Bulb, Headlight, Oval .....	2

**6**  
**G**



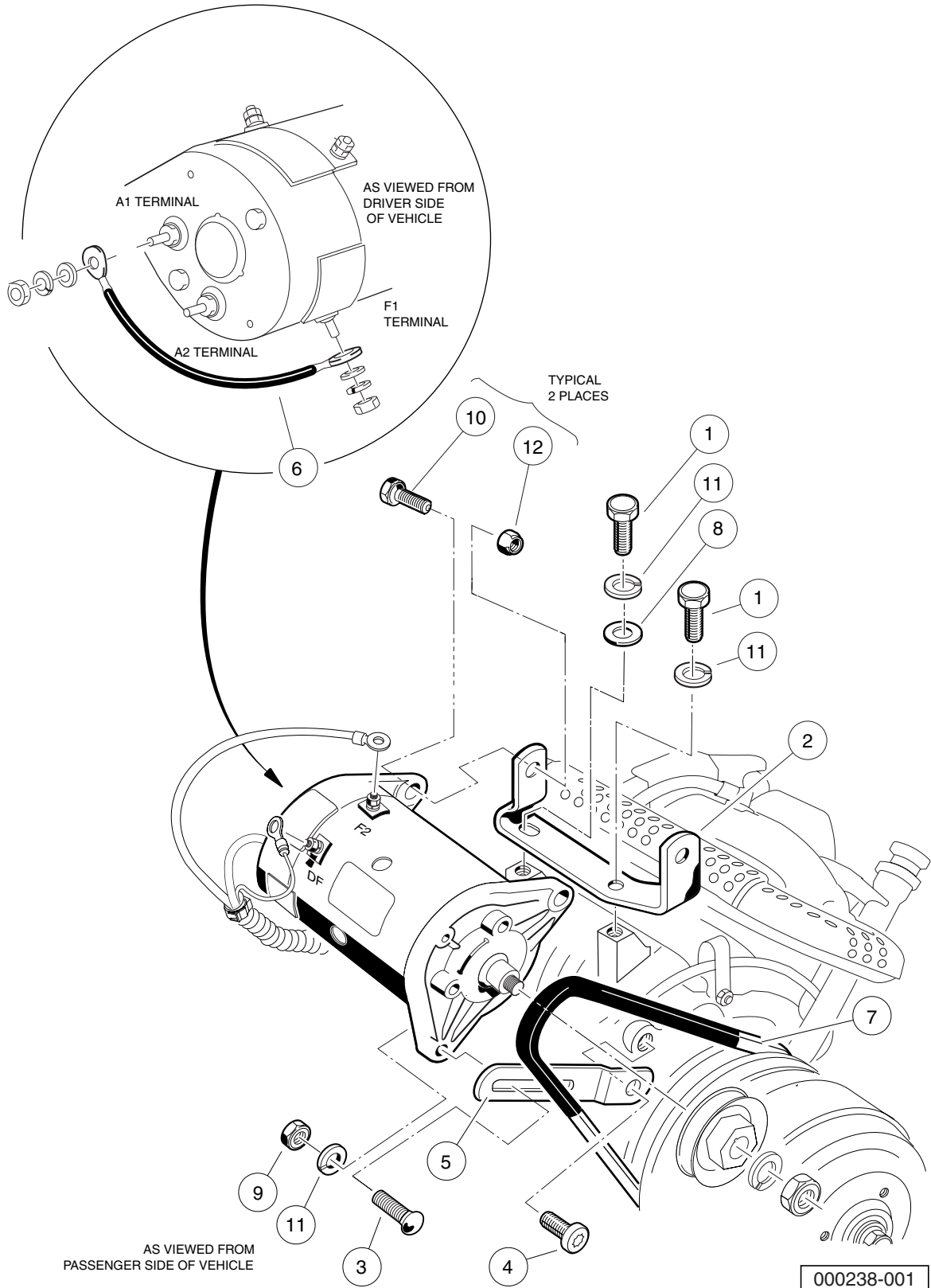
# STARTER/GENERATOR ASSEMBLY MODEL G425419 – GASOLINE VEHICLES

ITEM	PART NO.	DESCRIPTION	QTY
		1 2 3 4	
1	603 00 05-16	Starter/Generator (cw) (includes items 2 through 33) .....	1
2	603 00 01-63	Bearing, Output Shaft Ball .....	1
3	603 00 01-64	Key, Starter/Generator .....	1
4	603 00 01-65	Bearing, Ball .....	1
5	603 00 04-56	Brush Holder Assembly (cw) (includes item 6) .....	1
6	603 00 05-47	Brush Spring Set .....	4
7	603 00 05-29	Brush and Screw Set (cw) .....	1
8	603 00 05-30	Front Bracket .....	1
9	603 00 05-31	Retainer .....	1
10	N/A	Armature .....	1
11	603 00 05-33	Field Coil Housing .....	1
12	603 00 05-34	Pole Set .....	1
13	603 00 05-35	Screw Set .....	1
14	603 00 05-36	Field Stator Coil Assembly .....	1
15	603 00 05-37	F Insulator Set .....	2
16	603 00 05-38	DF Insulator .....	1
17	603 00 05-39	A Connector (cw) .....	1
18	603 00 05-40	Screw and Mold Assembly .....	2
19	603 00 05-41	Brush Connector Assembly (cw) .....	2
20	603 00 05-42	Cover Set (includes items 21 and 22) .....	1
21	N/A	Brush Inspection Port Cover .....	3
22	N/A	Brush Port Cover w/Drain .....	1
23	603 00 05-43	Rear Bracket (cw) .....	1
24	603 00 05-44	Nut and Screw Set (includes items 25 through 29) .....	1
25	603 00 05-74	Brush Holder Asm Screw .....	2
26	N/A	Washer, M5 Flat .....	1
27	N/A	Washer, M14 Lock .....	1
28	N/A	Nut, Hex, M14 x 2 .....	1
29	N/A	Screw, M5 x 0.8 x 18mm .....	3
30	603 00 05-45	Nut and Washer Set .....	2
31	603 00 05-46	Nut and Washer Set .....	1
32	603 00 05-48	Through Bolt Set .....	2
33	603 00 06-09	Spacer .....	1
34	603 00 05-32	Armature Asm Conversion Kit (includes items 35 through 38) .....	1
35	603 00 01-64	Key, Starter/Generator .....	1
36	603 00 02-21	Pulley, Starter/Generator .....	1
37	N/A	Armature .....	1
38	603 00 06-09	Spacer .....	1
Note: Item 36 will ONLY fit Model G425419 Starter/Generator.			

6

G

**6**  
**G**



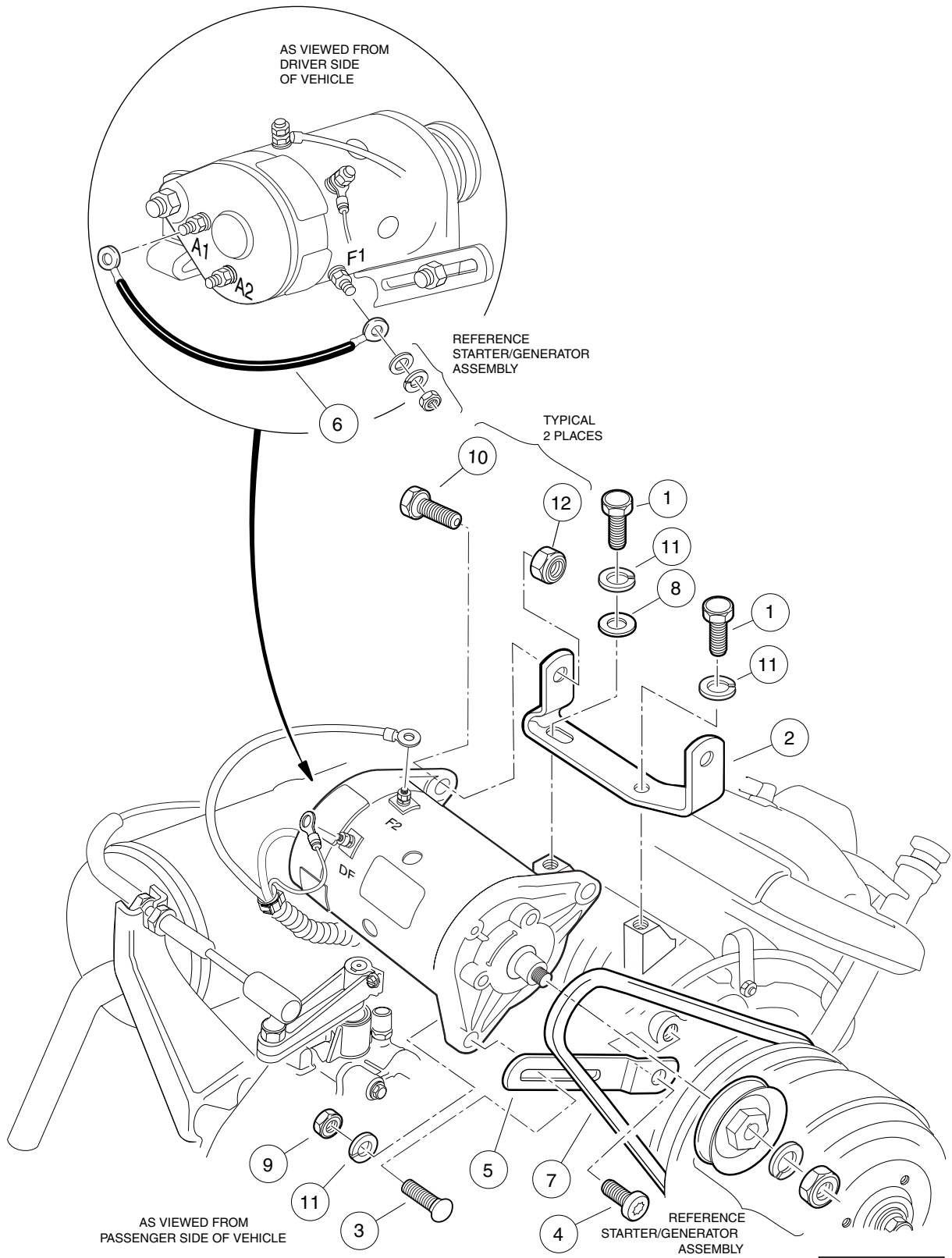


# FE290 STARTER/GENERATOR MOUNTING – GASOLINE VEHICLE

ITEM	PART NO.	DESCRIPTION	QTY
		1 2 3 4	
1	603 00 05-79	Screw, M8-125 X 22 Hex-Head .....	2
2	603 00 30-82	Bracket, Starter/Generator Mounting (FE290) .....	1
3	603 00 02-73	Bolt, Carriage, 5/16-18 .....	1
4	603 00 02-77	Screw, M8-1.25 X 18mm Torx .....	1
5	603 00 03-75	Bracket, Starter/Generator Adjustment .....	1
6	603 00 05-24	Wire Assy, #6 Green .....	1
7	603 00 05-89	V-Belt .....	1
8	603 00 00-65	Washer, 5/16 Type A Flat .....	1
9	603 00 00-66	Nut, 5/16-18 Hex .....	1
10	603 00 00-59	Screw, Cap-hex Hd 3/8-16x1.25 .....	2
11	603 00 00-72	Lockwasher, 5/16 Split .....	3
12	603 00 00-95	Locknut, 3/8-16 Hex .....	2

**6**  
**G**

**6**  
**G**



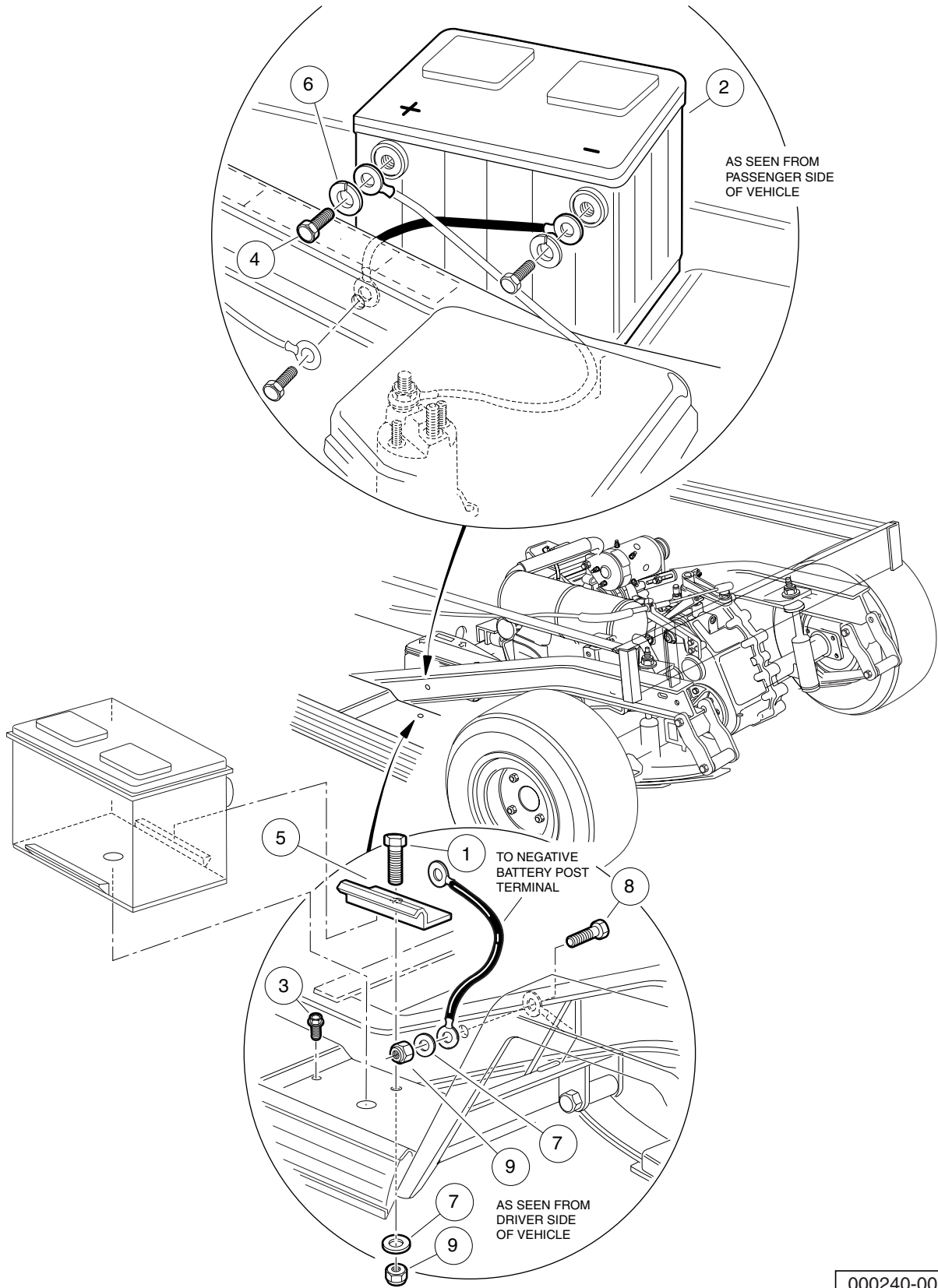
000239-001

# FE350 STARTER/GENERATOR MOUNTING – GASOLINE VEHICLES

ITEM	PART NO.	DESCRIPTION	QTY
		1 2 3 4	
1	603 00 05-79	Screw, M8-125 X 22 Hex-Head .....	2
2	603 00 04-59	Bracket, Starter/Generator Mounting .....	1
3	603 00 02-73	Bolt, Carriage, 5/16-18 .....	1
4	603 00 02-77	Screw, M8-1.25 X 18mm Torx .....	1
5	603 00 03-75	Bracket, Starter/Generator Adjustment .....	1
6	603 00 05-24	Wire Assy, #6 Green .....	1
7	603 00 05-89	V-Belt .....	1
8	603 00 00-65	Washer, 5/16 Type A Flat .....	1
9	603 00 00-66	Nut, 5/16-18 Hex .....	1
10	603 00 00-59	Screw, Cap-hex Hd 3/8-16x1.25 .....	2
11	603 00 00-72	Lockwasher, 5/16 Split .....	3
12	603 00 00-95	Locknut, 3/8-16 Hex .....	2

**6**  
**G**

**6**  
**G**



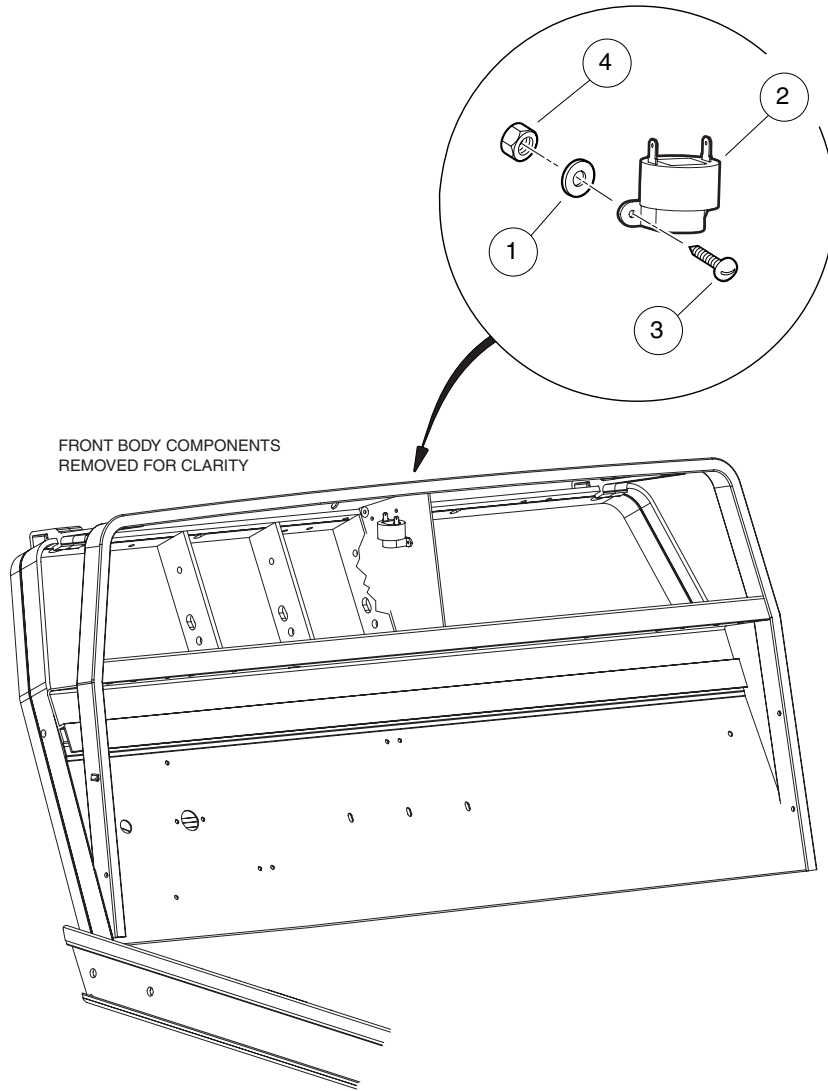
000240-001

# BATTERY – GASOLINE VEHICLE

ITEM	PART NO.	DESCRIPTION	QTY
		1 2 3 4	
1	603 00 01-16	Screw, 5/16-18 X 1.00 Hex Cap .....	1
2	603 00 00-02	Battery, 12-Volt .....	1
3	603 00 02-20	Screw, 5/16-18 X 0.75 Thread-Forming .....	1
4	603 00 02-24	Screw, 3/8-16 X 0.50 Stainless Steel Hex-Head .....	2
5	603 00 05-76	Clamp, Battery .....	1
6	603 00 08-90	Lockwasher, 3/8 Stainless Stl .....	2
7	603 00 00-65	Washer, 5/16 Type A Flat .....	2
8	603 00 00-71	Screw, 5/16-18 X 0.75 Hex-Head Cap .....	1
9	603 00 00-78	Locknut, 5/16-18 Nylon Insert .....	2

6

G



000363-001

# REVERSE BUZZER

ITEM	PART NO.	DESCRIPTION	QTY
		1 2 3 4	
1	603 00 01-40	Washer, #4 Flat .....	1
2	603 00 03-71	Buzzer, Reverse (9-48 VDC) .....	1
3	603 00 23-49	Screw, #4-40 X 0.75 Round-Head Machine .....	1
4	603 00 00-86	Nut, #4-40 Hex Machine .....	1

6

G

6

G



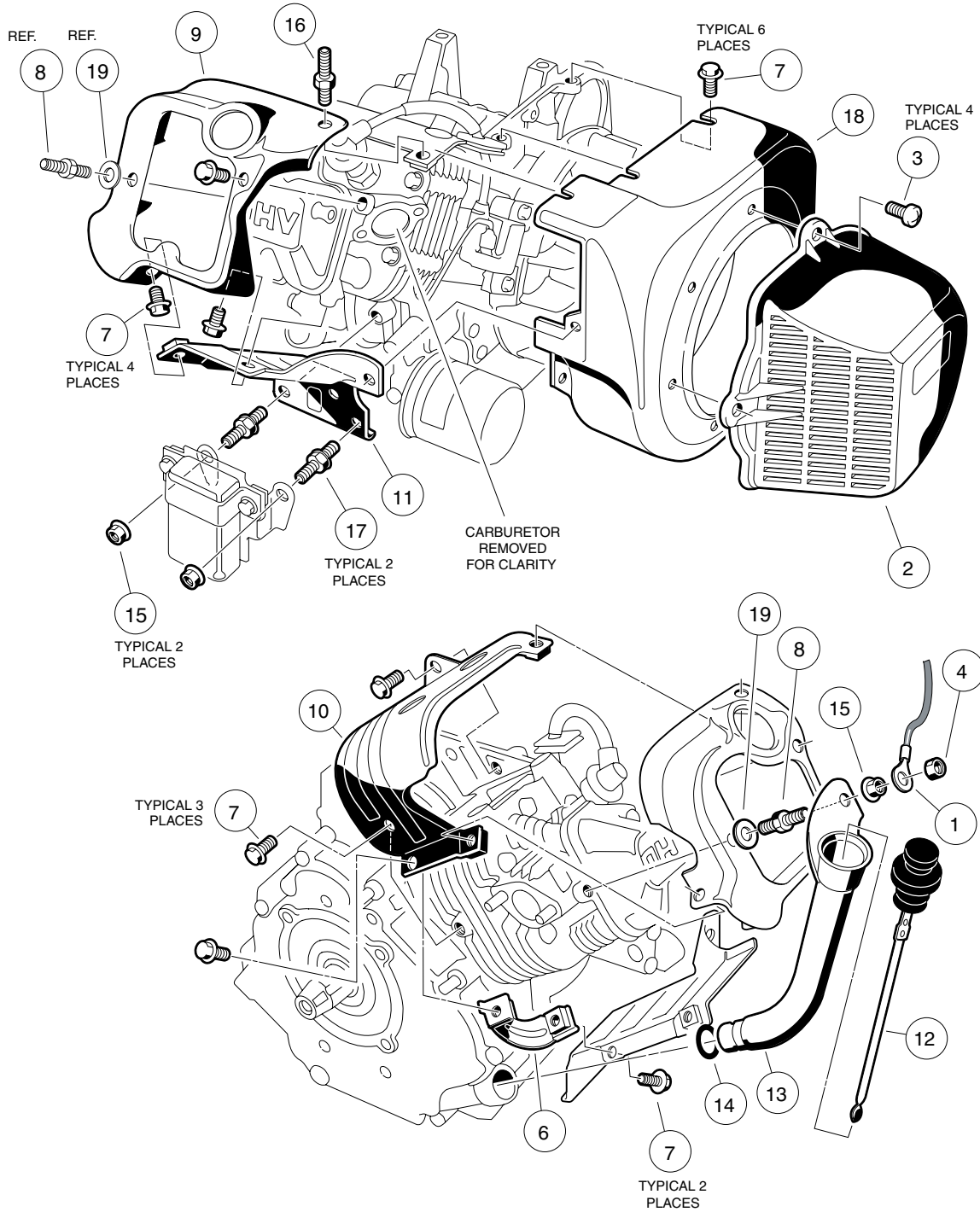
# FE290 ENGINE

---

7

G

# FE290 ENGINE



000194-001

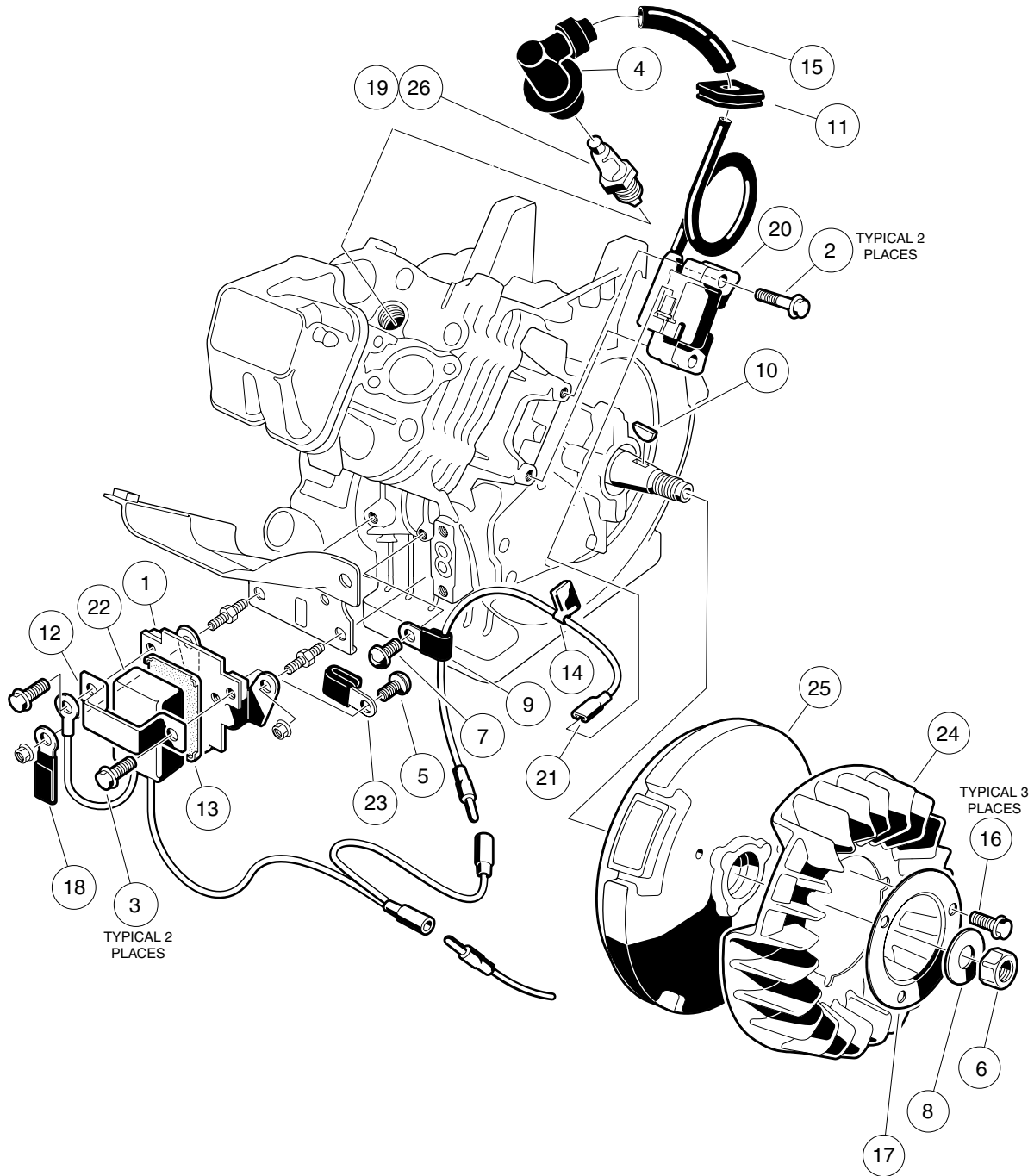
# FE290 ENGINE – SHROUDS AND BRACKETS

ITEM	PART NO.	DESCRIPTION	QTY
		1 2 3 4	
1	603 00 02-47	Wire Assembly, #10, Uninsulated .....	1
2	603 00 02-65	Shroud, Fan .....	1
3	603 00 02-74	Screw, M6-1.00 X 10mm Pan Hd .....	4
4	603 00 05-58	Locknut, M6-1.00 Nylon Insert .....	1
5	603 00 32-39	Engine, FE290 (cw) * (includes items 6 through 19) .....	1
6	603 00 31-01	Bracket .....	1
7	603 00 03-09	Bolt, Flange Head, M6 x 1 x 12 mm .....	15
8	603 00 03-28	Bolt, Two-Ended .....	1
9	603 00 31-27	Shroud, Engine, FE290D .....	1
10	603 00 31-28	Shroud, Engine, FE290D .....	1
11	603 00 31-29	Shroud, Engine, FE290D .....	1
12	603 00 03-33	Dipstick .....	1
13	603 00 31-32	Tube, Oil Filler, FE290D .....	1
14	603 00 03-37	O-Ring .....	1
15	603 00 03-41	Nut .....	3
16	603 00 31-58	Screw, M6-1.00 Stud .....	1
17	603 00 32-20	Stud, M6-1.00, Two-Ended .....	2
18	603 00 32-26	Housing, FE290 Fan .....	1
19	N/A	Washer, 6 mm Flat .....	1
* Note: FE290 engine component listings span several pages.			

7

G

**FE290 ENGINE**



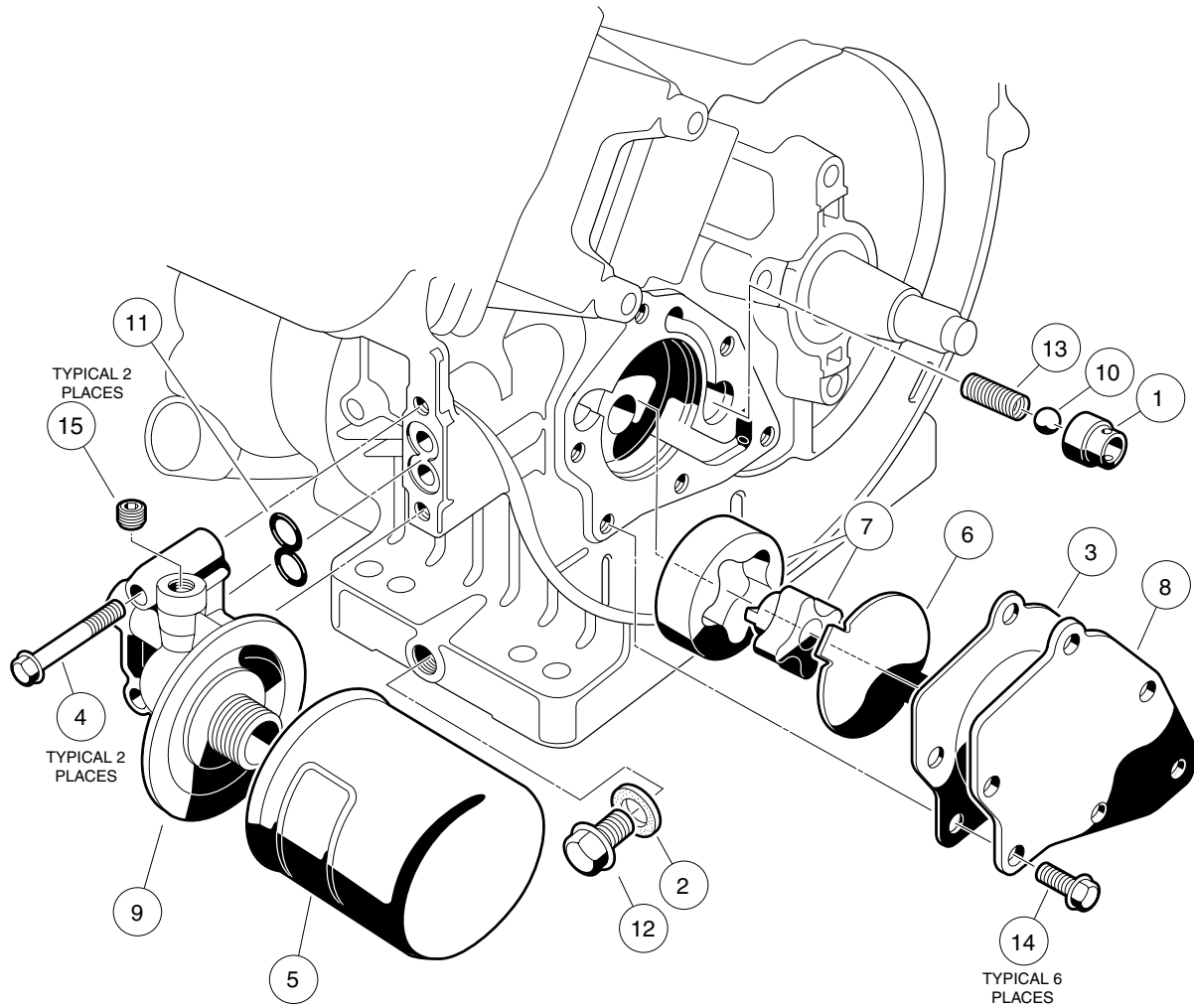
000195-001

# FE290 ENGINE – IGNITION COMPONENTS AND FLYWHEEL

**7**  
**G**

ITEM	PART NO.	DESCRIPTION	QTY
		1 2 3 4	
1	603 00 03-03	Bracket, RPM Limiter .....	1
2	603 00 03-08	Bolt, Flange Head .....	2
3	603 00 03-09	Bolt, Flange Head, M6 x 1 x 12 mm .....	2
4	603 00 31-19	Cap, Spark Plug .....	1
5	603 00 03-23	Screw, Pan WP Cross .....	1
6	603 00 31-20	Nut, Hex, Fine .....	1
7	603 00 03-39	Screw .....	1
8	603 00 31-35	Washer, M16 Flat .....	1
9	603 00 03-44	Clamp .....	1
10	603 00 03-45	Key .....	1
11	603 00 03-55	Grommet .....	1
12	603 00 03-56	Band, RPM Limiter Mount .....	1
13	603 00 03-62	Damper, RPM Limiter .....	1
14	603 00 03-63	Clamp .....	1
15	603 00 03-64	Tube, 7mm X 10mm X 70mm .....	1
16	603 00 04-02	Bolt, Flanged .....	3
17	603 00 04-05	Plate, Flywheel Fan .....	1
18	603 00 43-79	Clamp .....	1
19	603 00 00-07	Spark Plug, OHV (Autolite) .....	1
20	603 00 05-81	Coil, Ignition .....	1
21	603 00 05-82	Lead Wire Assy .....	1
22	603 00 05-83	Limiter, RPM .....	1
23	N/A	Clamp, Steel .....	1
24	603 00 32-28	Fan, FE290 (cw) .....	1
25	603 00 44-82	Flywheel, Complete .....	1
26	603 00 05-80	Spark Plug, OHV (NGK) .....	1

**FE290 ENGINE**



000196-001

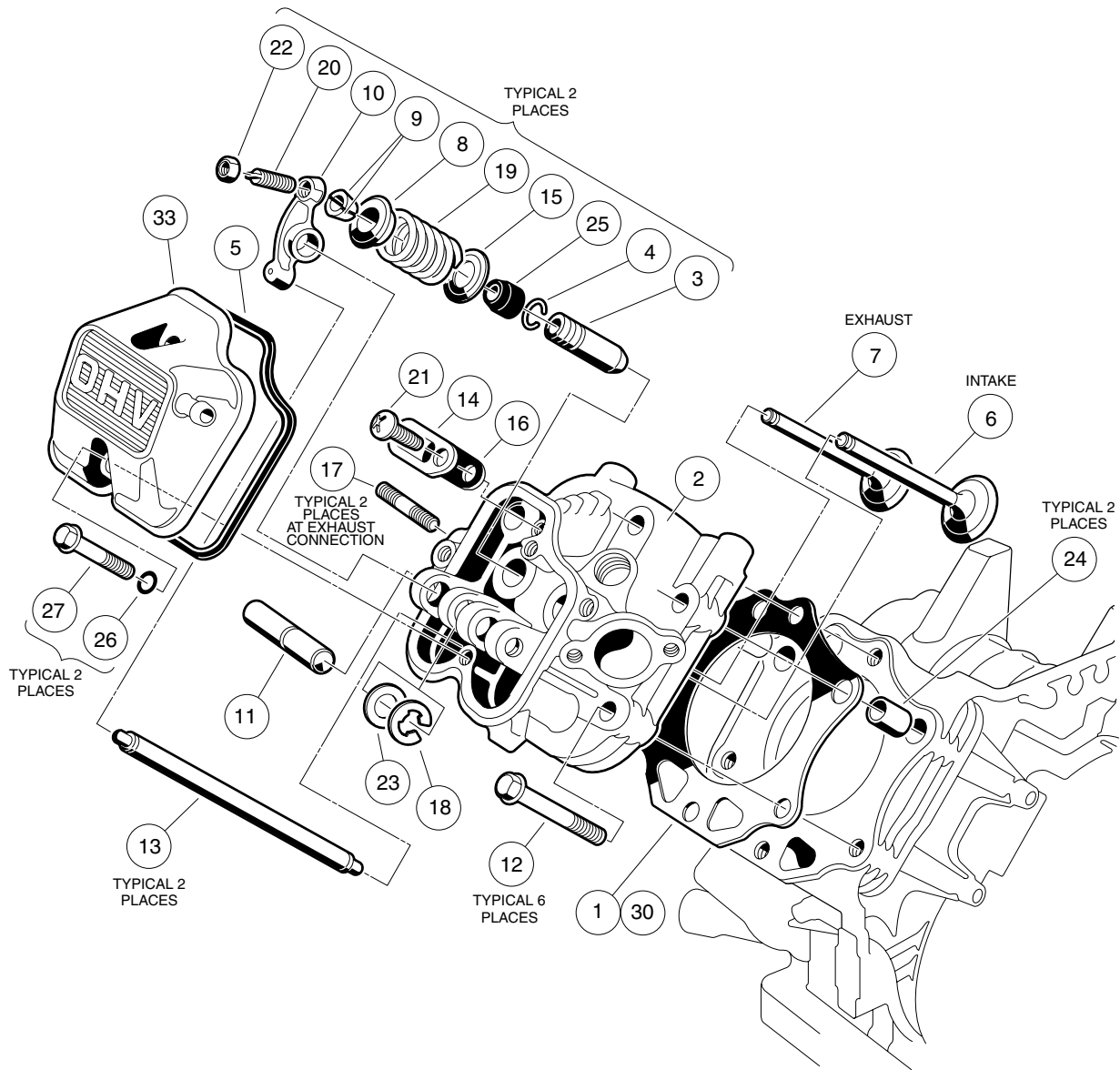
# FE290 ENGINE – OIL CIRCULATION

ITEM	PART NO.	DESCRIPTION	QTY
		1 2 3 4	
1	603 00 02-94	Seat, Value Oil Press Relief .....	1
2	603 00 02-95	Gasket, Drain Plug .....	1
3	603 00 30-99	Gasket, Oil Pump .....	1
4	603 00 03-10	Bolt, Flange Head .....	2
5	603 00 00-06	Filter, Oil .....	1
6	603 00 03-14	Plate, Oil Pump .....	1
7	603 00 04-71	Oil Pump And Rotor .....	1
8	603 00 31-18	Cover, Pump .....	1
9	603 00 03-26	Bracket, Oil Filter Mount .....	1
10	603 00 03-35	Ball, Steel, Press, Relief .....	1
11	603 00 03-50	O-Ring .....	1
12	603 00 03-54	Plug, Drain .....	1
13	603 00 03-57	Spring .....	1
14	603 00 04-06	Bolt, Flanged .....	6
15	603 00 04-24	Plug .....	2

7

G

**FE290 ENGINE**



000197-001



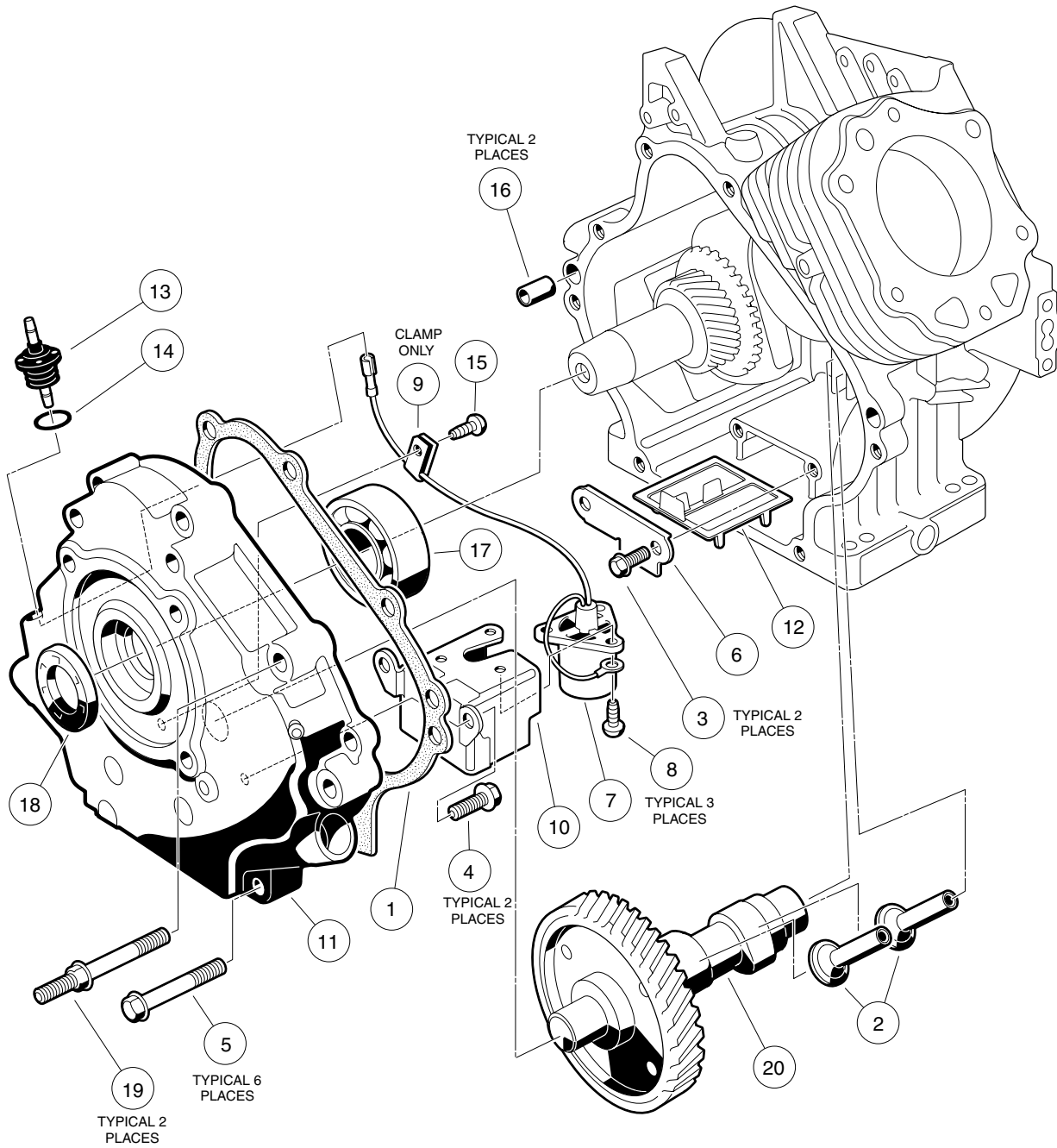
# FE290 ENGINE – CYLINDER HEAD

ITEM	PART NO.	DESCRIPTION	QTY
		1 2 3 4	
1	603 00 30-97	Gasket, Head, FE290 .....	1
2	603 00 30-98	Head Assembly, FE290 Cylinder (includes items 3 and 4) .....	1
3	603 00 03-31	Guide, Valve, Intake .....	2
4	603 00 03-43	Snap Ring .....	2
5	603 00 02-96	Gasket, Rocker Case .....	1
6	603 00 31-03	Valve, Intake .....	1
7	603 00 31-04	Valve, Exhaust .....	1
8	603 00 03-04	Retainer, Valve Spring .....	2
9	603 00 03-05	Collet .....	4
10	N/A	Arm, Rocker .....	2
11	603 00 03-06	Shaft, Rocker .....	1
12	603 00 03-11	Bolt, Flange Head, M8 x 1.25 x 45 mm .....	6
13	603 00 31-15	Rod, Push .....	2
14	603 00 03-15	Plate .....	1
15	603 00 03-16	Seat, Spring .....	2
16	603 00 03-18	Valve .....	1
17	603 00 03-20	Stud, Two-Ended, M8-1.25 .....	2
18	603 00 03-30	Circlip, Type-E .....	1
19	603 00 31-26	Spring, Engine Valve .....	2
20	603 00 31-33	Screw .....	2
21	603 00 03-39	Screw .....	1
22	603 00 31-34	Nut .....	2
23	603 00 03-42	Washer, 12.1x19x1.8 .....	1
24	603 00 03-46	Pin .....	2
25	603 00 03-48	Seal, Oil .....	2
26	603 00 03-49	O-Ring .....	2
27	603 00 03-59	Bolt, 6x35 .....	2
28	603 00 32-55	Kit, Gasket, FE290 (includes items 29 through 32) .....	1
29	603 00 30-83	Gasket, Exhaust .....	1
30	603 00 30-97	Gasket, Head, FE290 .....	1
31	603 00 02-99	Gasket, Engine to Insulator .....	1
32	603 00 31-02	Gasket, Crankcase Cover .....	1
33	603 00 03-01	Case, Rocker -w/o Logo Fe290 .....	1

7

G

**FE290 ENGINE**



000198-001

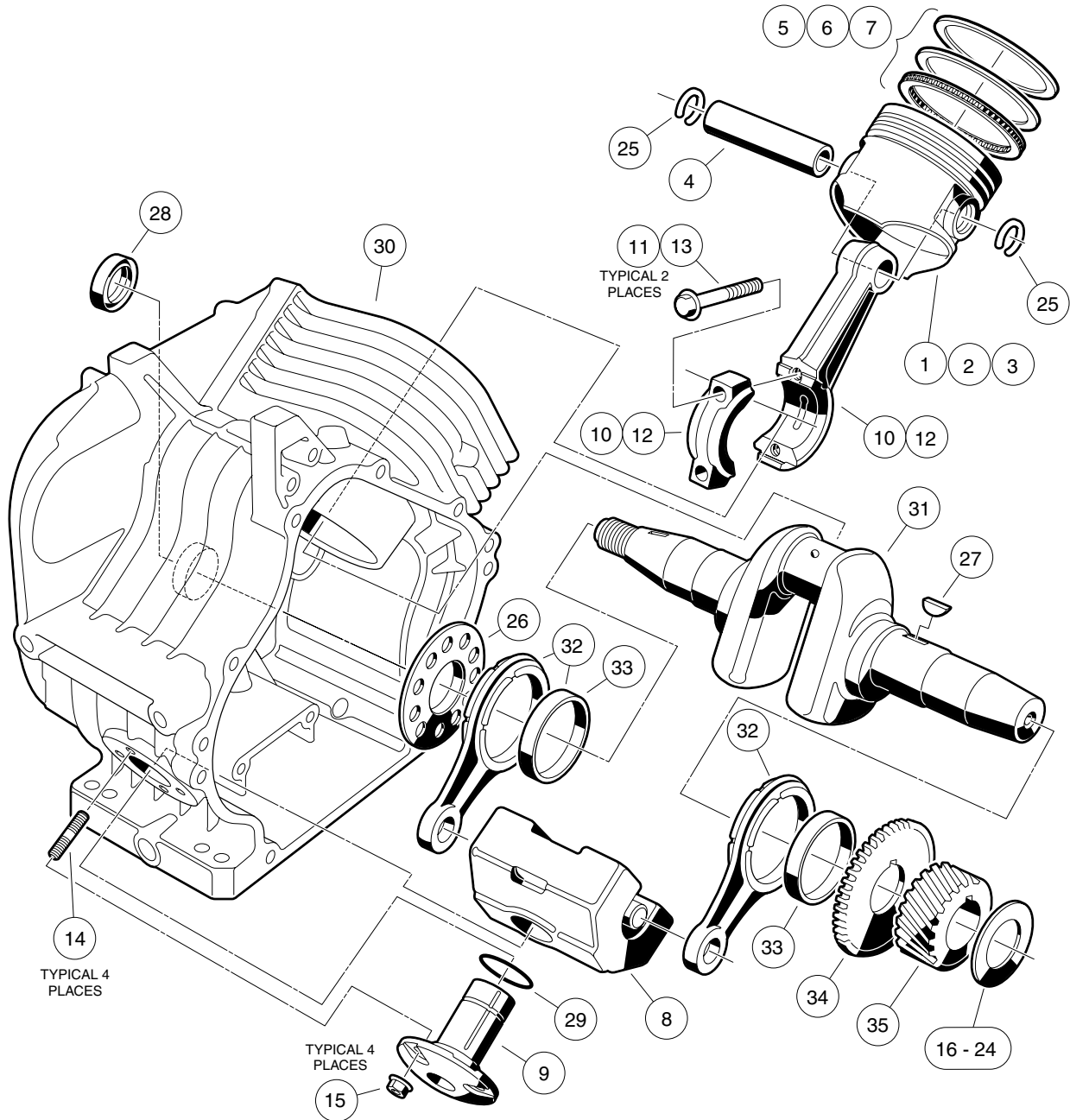
# FE290 ENGINE – CRANKCASE, CAMSHAFT, AND OIL SENSOR

ITEM	PART NO.	DESCRIPTION	QTY
		1 2 3 4	
1	603 00 31-02	Gasket, Crankcase Cover .....	1
2	603 00 31-06	Tappet .....	2
3	603 00 03-07	Bolt, Flange Head, M5 x 0.8 x 8 mm .....	2
4	603 00 03-09	Bolt, Flange Head, M6 x 1 x 12 mm .....	2
5	603 00 03-11	Bolt, Flange Head, M8 x 1.25 x 45 mm .....	6
6	603 00 03-13	Plate, Oil Filter Screen .....	1
7	603 00 03-21	Sensor, Oil Level .....	1
8	603 00 03-22	Screw, Cross Pan-Head, M4 x 0.7 x 8 mm .....	3
9	603 00 03-27	Clamp .....	1
10	603 00 31-22	Bracket, Switch, Oil Level .....	1
11	603 00 31-25	Cover, Crankcase .....	1
12	603 00 03-32	Screen, Oil Filter .....	1
13	603 00 03-34	Connector, Cord .....	1
14	603 00 03-36	O-Ring .....	1
15	603 00 03-39	Screw .....	1
16	603 00 03-47	Pin .....	2
17	603 00 31-47	Bearing, Ball .....	1
18	603 00 31-48	Seal, Crankshaft .....	1
19	603 00 03-60	Bolt, Two-Ended, M8 x 1.25 x 69 mm .....	2
20	603 00 32-24	Camshaft Complete, FE290 .....	1

7

G

**FE290 ENGINE**



000199-001

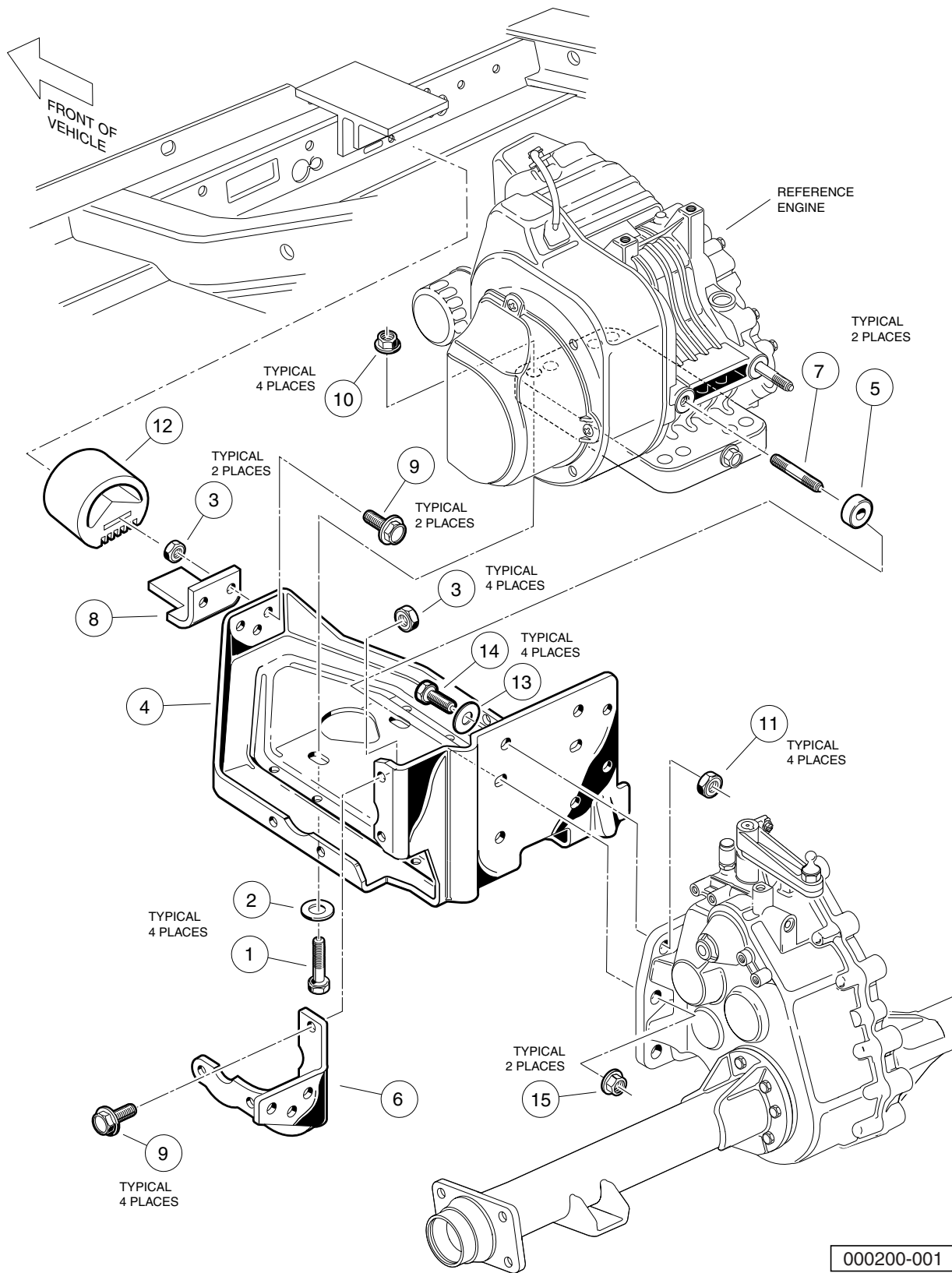
# FE290 ENGINE – CRANKCASE AND CRANKSHAFT

ITEM	PART NO.	DESCRIPTION	QTY
		1 2 3 4	
1	603 00 31-07	Piston .....	1
2	603 00 31-08	Piston, Engine 0.25 mm Over .....	1
3	603 00 31-09	Piston, Engine 0.50 mm Over .....	1
4	603 00 31-10	Pin, Piston .....	1
5	603 00 31-11	Ring Set, Piston .....	1
6	603 00 31-12	Ring Set, Piston 0.25 mm Over .....	1
7	603 00 31-13	Ring Set, Piston 0.50 mm Over .....	1
8	603 00 31-14	Weight, Counterbalance .....	1
9	603 00 03-12	Shaft, Guide, Counterbalance .....	1
10	603 00 31-16	Rod Assembly (includes item 11) .....	1
11	603 00 31-21	Bolt .....	2
12	603 00 31-17	Rod Assembly, Connecting 0.50 mm Under (includes item 13) .....	1
13	603 00 31-21	Bolt .....	2
14	603 00 03-38	Stud, 6x14 .....	4
15	603 00 03-41	Nut .....	4
16	603 00 31-36	Shim, Crankshaft T=1.13 .....	A/R
17	603 00 31-37	Shim, Crankshaft T=1.18 .....	A/R
18	603 00 31-38	Shim, Crankshaft T=1.23 .....	A/R
19	603 00 31-39	Shim, Crankshaft T=1.28 .....	A/R
20	603 00 31-40	Shim, Crankshaft T=1.33 .....	A/R
21	603 00 31-41	Shim, Crankshaft T=1.38 .....	A/R
22	603 00 31-42	Shim, Crankshaft T=1.43 .....	A/R
23	603 00 31-43	Shim, Crankshaft T=1.48 .....	A/R
24	603 00 31-44	Shim, Crankshaft T=1.53 .....	A/R
25	603 00 31-45	Ring, Snap .....	2
26	603 00 31-46	Spacer .....	1
27	603 00 03-45	Key .....	1
28	603 00 31-49	Seal, Oil .....	1
29	603 00 03-51	O-Ring .....	1
30	603 00 32-25	Crankcase Complete, FE290 (cw) .....	1
31	603 00 32-32	Crankshaft, FE290 Left-Hand Thread (includes items 32 through 35) .....	1
32	603 00 31-23	Rod (includes item 33) .....	2
33	603 00 31-50	Bearing, Plane .....	1
34	603 00 31-30	Gear, Spur .....	1
35	603 00 31-31	Gear, Helical .....	1

7

G

**7**  
**G**



# FE290 ENGINE MOUNTING

ITEM	PART NO.	DESCRIPTION	QTY
		1 2 3 4	
1	603 00 01-11	Bolt, Hex-Head, 5/16-18 X 1.50 .....	4
2	603 00 01-45	Washer, 5/16 Extra Thick Flat .....	4
3	603 00 01-93	Nut, 5/16-24 Hex Head Cone .....	6
4	603 00 05-05	Plate, Engine Mounting .....	1
5	603 00 05-07	Spacer, Powdered Metal .....	2
6	603 00 05-11	Stiffener (Flywheel Side) .....	1
7	603 00 05-14	Stud, M8-1.25 X 60mm Two-Ended .....	2
8	603 00 05-19	Snubber Bracket .....	1
9	603 00 05-56	Screw, 5/16-24 X 0.875 Grade-8 .....	6
10	603 00 06-16	Locknut, 5/16-18 Hex Flange .....	4
11	603 00 07-80	Locknut, 3/8-16 Flanged Dimple .....	4
12	603 00 01-33	Inner Frame Snubber .....	1
13	603 00 00-55	Washer, 3/8 Type A Flat .....	4
14	603 00 00-59	Screw, Cap-hex Hd 3/8-16x1.25 .....	4
15	603 00 05-12	Nut Flg, M8 X 1.25 Serrated .....	2

7

G

7

G



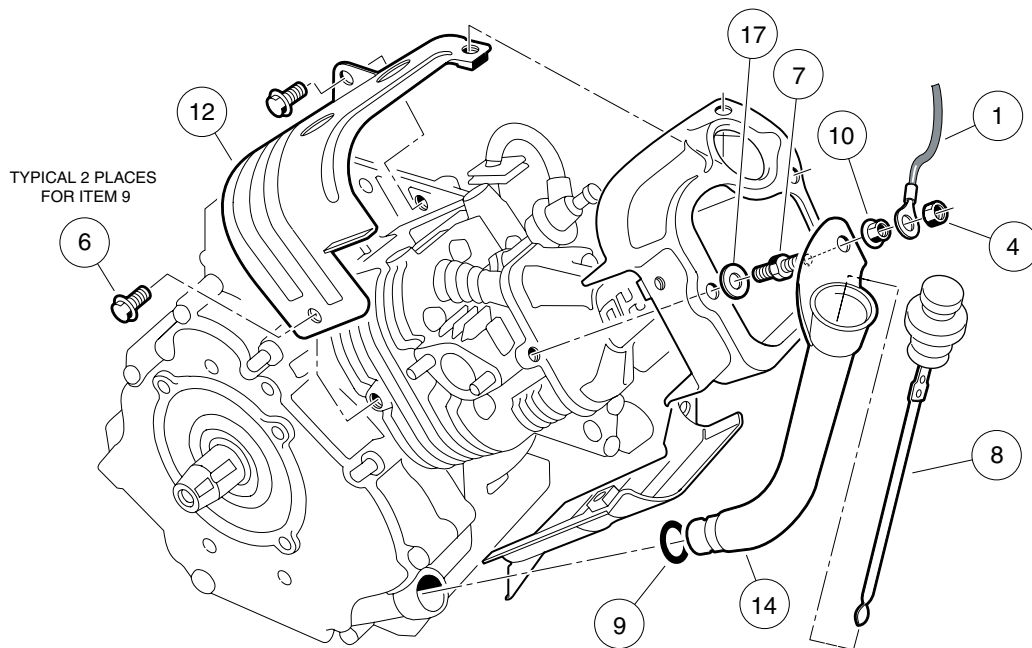
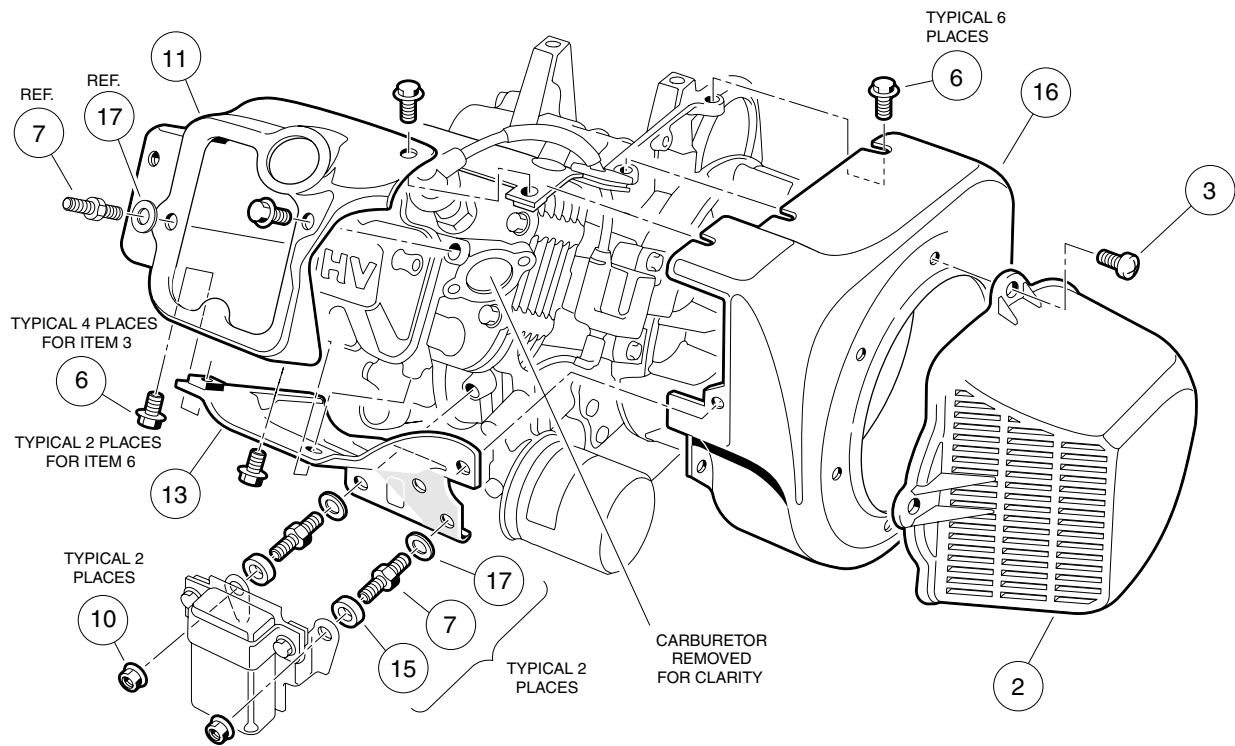
# FE350 ENGINE

---

8

G

## FE350 ENGINE



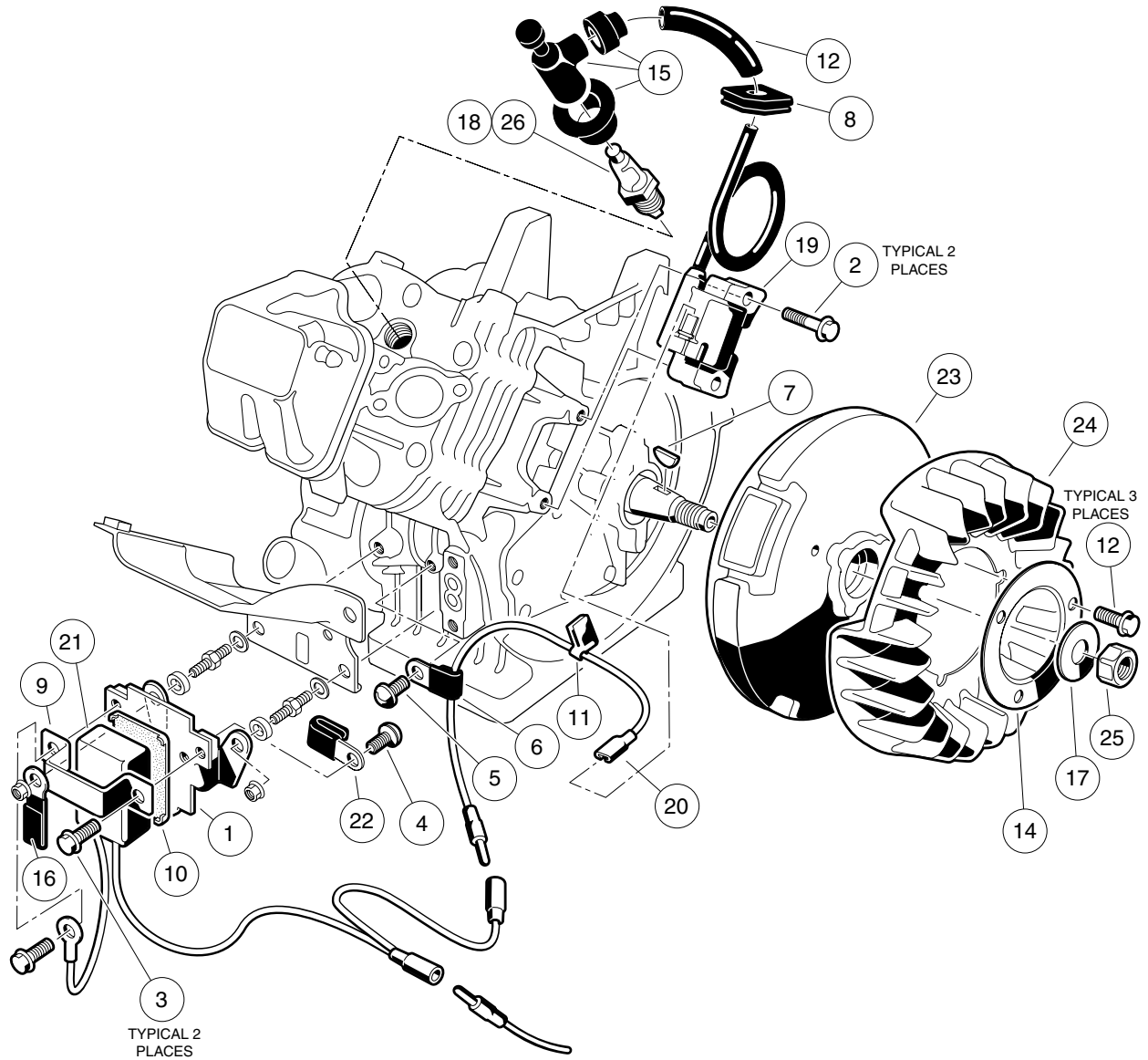
000201-001

# FE350 ENGINE WITHOUT ACR (AUTOMATIC COMPRESSION RELEASE) – SHROUDS AND BRACKETS

ITEM	PART NO.	DESCRIPTION	QTY
		1 2 3 4	
1	603 00 02-47	Wire Assembly, #10, Uninsulated .....	1
2	603 00 02-65	Shroud, Fan .....	1
3	603 00 02-74	Screw, M6-1.00 X 10mm Pan Hd .....	4
4	603 00 05-58	Locknut, M6-1.00 Nylon Insert .....	1
5	603 00 32-38	Engine, FE350 (cw) without ACR * (includes items 6 through 17) .....	1
6	603 00 03-09	Bolt, Flange Head, M6 x 1 x 12 mm .....	14
7	603 00 03-28	Bolt, Two-Ended .....	3
8	603 00 03-33	Dipstick .....	1
9	603 00 03-37	O-Ring .....	1
10	603 00 03-41	Nut .....	3
11	603 00 04-14	Shroud, Engine .....	1
12	603 00 04-15	Shroud, Engine .....	1
13	603 00 04-16	Shroud, Engine .....	1
14	603 00 04-17	Tube, Oil Filler .....	1
15	603 00 04-20	Spacer 6.50 X 12 X 5.5 .....	2
16	603 00 32-30	Housing, FE350 Fan .....	1
17	N/A	Washer, 6mm Flat .....	3
* Note: FE350 engine component listings span several pages.			

8

G



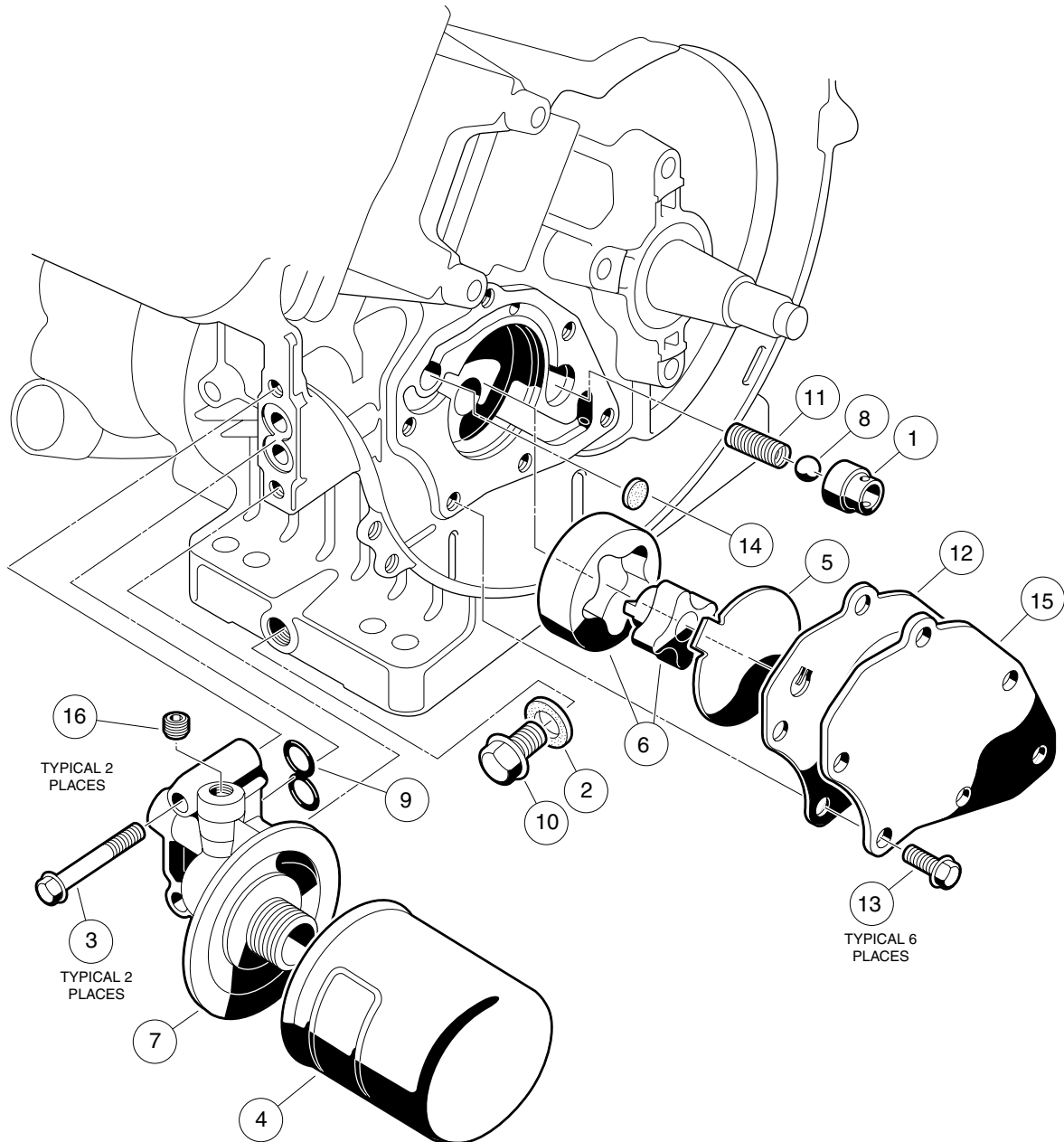
000202-001

# FE350 ENGINE – IGNITION COMPONENTS AND FLYWHEEL

ITEM	PART NO.	DESCRIPTION	QTY
		1 2 3 4	
1	603 00 03-03	Bracket, RPM Limiter .....	1
2	603 00 03-08	Bolt, Flange Head .....	2
3	603 00 03-09	Bolt, Flange Head, M6 x 1 x 12 mm .....	2
4	603 00 03-23	Screw, Pan WP Cross .....	1
5	603 00 03-39	Screw .....	1
6	603 00 03-44	Clamp .....	1
7	603 00 03-45	Key .....	1
8	603 00 03-55	Grommet .....	1
9	603 00 03-56	Band, RPM Limiter Mount .....	1
10	603 00 03-62	Damper, RPM Limiter .....	1
11	603 00 03-63	Clamp .....	1
12	603 00 03-64	Tube, 7mm X 10mm X 70mm .....	1
13	603 00 04-02	Bolt, Flanged .....	3
14	603 00 04-05	Plate, Flywheel Fan .....	1
15	603 00 04-10	Cap Asm Plug .....	1
16	603 00 43-79	Clamp .....	1
17	603 00 04-19	Washer, Flat .....	1
18	603 00 00-07	Spark Plug, OHV (Autolite) .....	1
19	603 00 05-81	Coil, Ignition .....	1
20	603 00 05-82	Lead Wire Assy .....	1
21	603 00 05-83	Limiter, RPM .....	1
22	N/A	Clamp, Steel .....	1
23	603 00 05-86	Flywheel .....	1
24	603 00 05-87	Fan (cw) .....	1
25	N/A	Nut, Hex, 18 mm Fine .....	1
26	603 00 05-80	Spark Plug, OHV (NGK) .....	1

**8**  
**G**

# FE350 ENGINE



000203-001

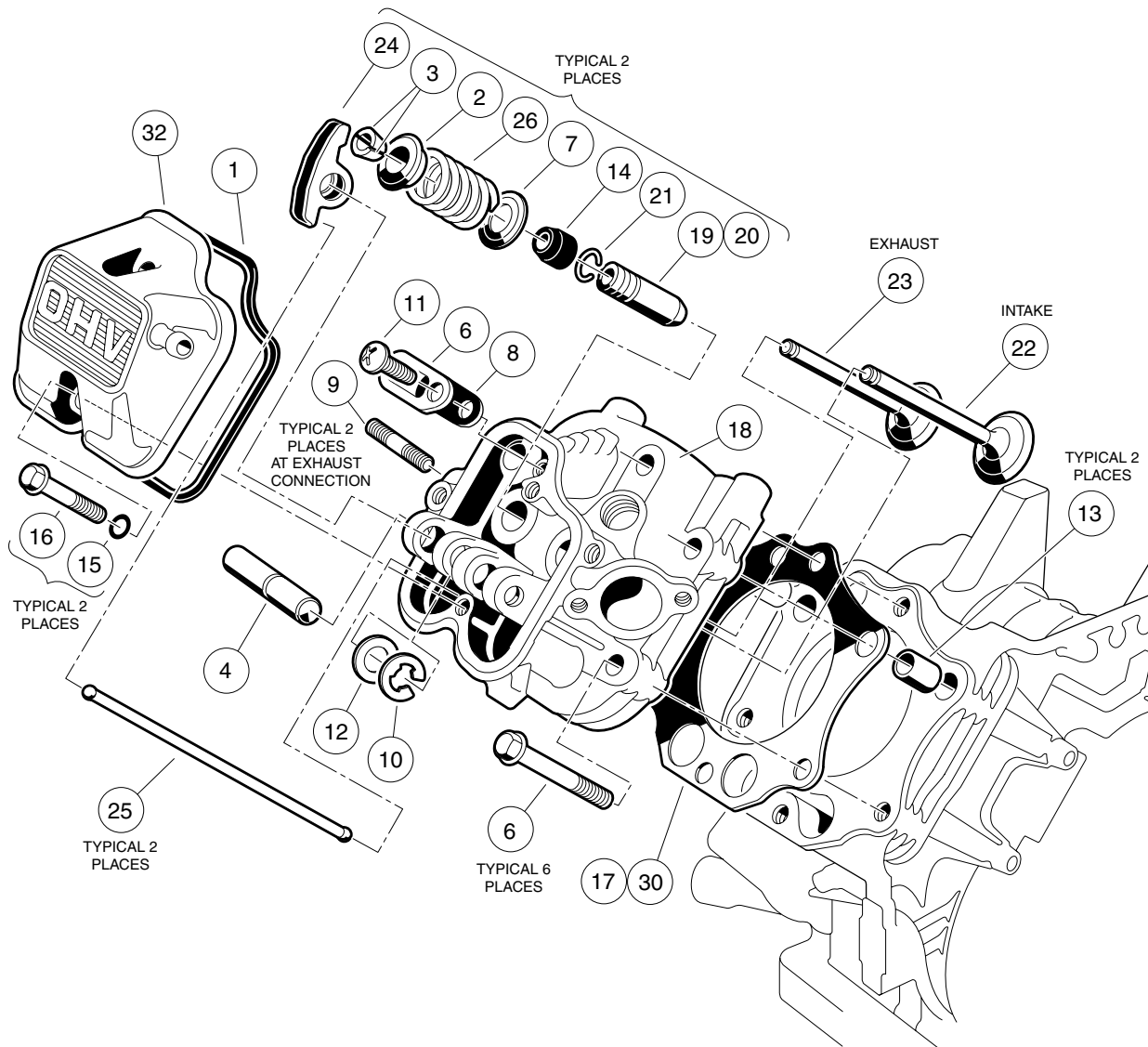
# FE350 ENGINE – OIL CIRCULATION

ITEM	PART NO.	DESCRIPTION	QTY
		1 2 3 4	
1	603 00 02-94	Seat, Value Oil Press Relief .....	1
2	603 00 02-95	Gasket, Drain Plug .....	1
3	603 00 03-10	Bolt, Flange Head .....	2
4	603 00 00-06	Filter, Oil .....	1
5	603 00 03-14	Plate, Oil Pump .....	1
6	603 00 04-71	Oil Pump And Rotor .....	1
7	603 00 03-26	Bracket, Oil Filter Mount .....	1
8	603 00 03-35	Ball, Steel, Press, Relief .....	1
9	603 00 03-50	O-Ring .....	1
10	603 00 03-54	Plug, Drain .....	1
11	603 00 03-57	Spring .....	1
12	603 00 03-96	Gasket .....	1
13	603 00 04-06	Bolt, Flanged .....	6
14	603 00 04-07	Filter .....	1
15	603 00 04-08	Cover, Pump .....	1
16	603 00 04-24	Plug .....	2

8

G

## FE350 ENGINE



000204-001



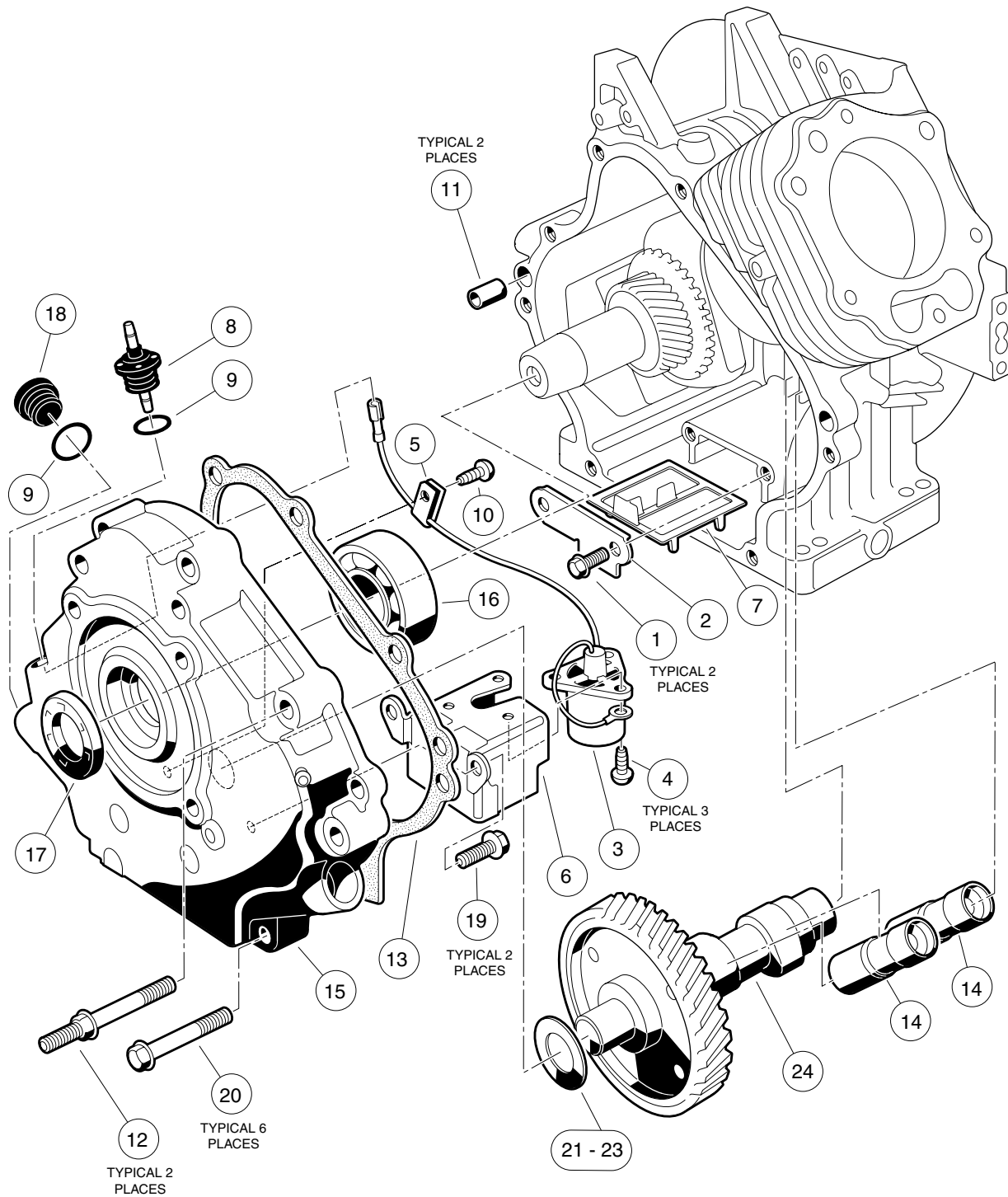
# FE350 ENGINE – CYLINDER HEAD

ITEM	PART NO.	DESCRIPTION	QTY
		1 2 3 4	
1	603 00 02-96	Gasket, Rocker Case .....	1
2	603 00 03-04	Retainer, Valve Spring .....	2
3	603 00 03-05	Collet .....	4
4	603 00 03-06	Shaft, Rocker .....	1
5	603 00 03-11	Bolt, Flange Head, M8 x 1.25 x 45 mm .....	6
6	603 00 03-15	Plate .....	1
7	603 00 03-16	Seat, Spring .....	2
8	603 00 03-18	Valve .....	1
9	603 00 03-20	Stud, Two-Ended, M8-1.25 .....	2
10	603 00 03-30	Circlip, Type-E .....	1
11	603 00 03-39	Screw .....	1
12	603 00 03-42	Washer, 12.1x19x1.8 .....	1
13	603 00 03-46	Pin .....	2
14	603 00 03-48	Seal, Oil .....	2
15	603 00 03-49	O-Ring .....	2
16	603 00 03-59	Bolt, 6x35 .....	2
17	603 00 31-64	Gasket, Head .....	1
18	603 00 31-65	Assembly, Cylinder Head, FE350 (includes items 19 through 21) .....	1
19	603 00 31-24	Guide, Valve, Exhaust .....	1
20	603 00 03-31	Guide, Valve, Intake .....	1
21	603 00 03-43	Snap Ring .....	2
22	603 00 03-98	Valve, Intake .....	1
23	603 00 03-99	Valve, Exhaust .....	1
24	603 00 04-00	Arm, Rocker .....	2
25	603 00 04-04	Rod, Push .....	2
26	603 00 04-13	Spring, Engine Valve .....	2
27	603 00 32-56	Kit, Gasket, FE350 (includes items 28 through 31) .....	1
28	603 00 02-99	Gasket, Engine to Insulator .....	1
29	603 00 29-93	Gasket, Exhaust .....	1
30	603 00 31-64	Gasket, Head .....	1
31	603 00 03-97	Gasket, Crankcase Cover .....	1
32	603 00 03-01	Case, Rocker -w/o Logo Fe290 .....	1
<p>Note: Item 28 is not a component of the FE350 engine.</p>			

8

G

## FE350 ENGINE WITHOUT ACR

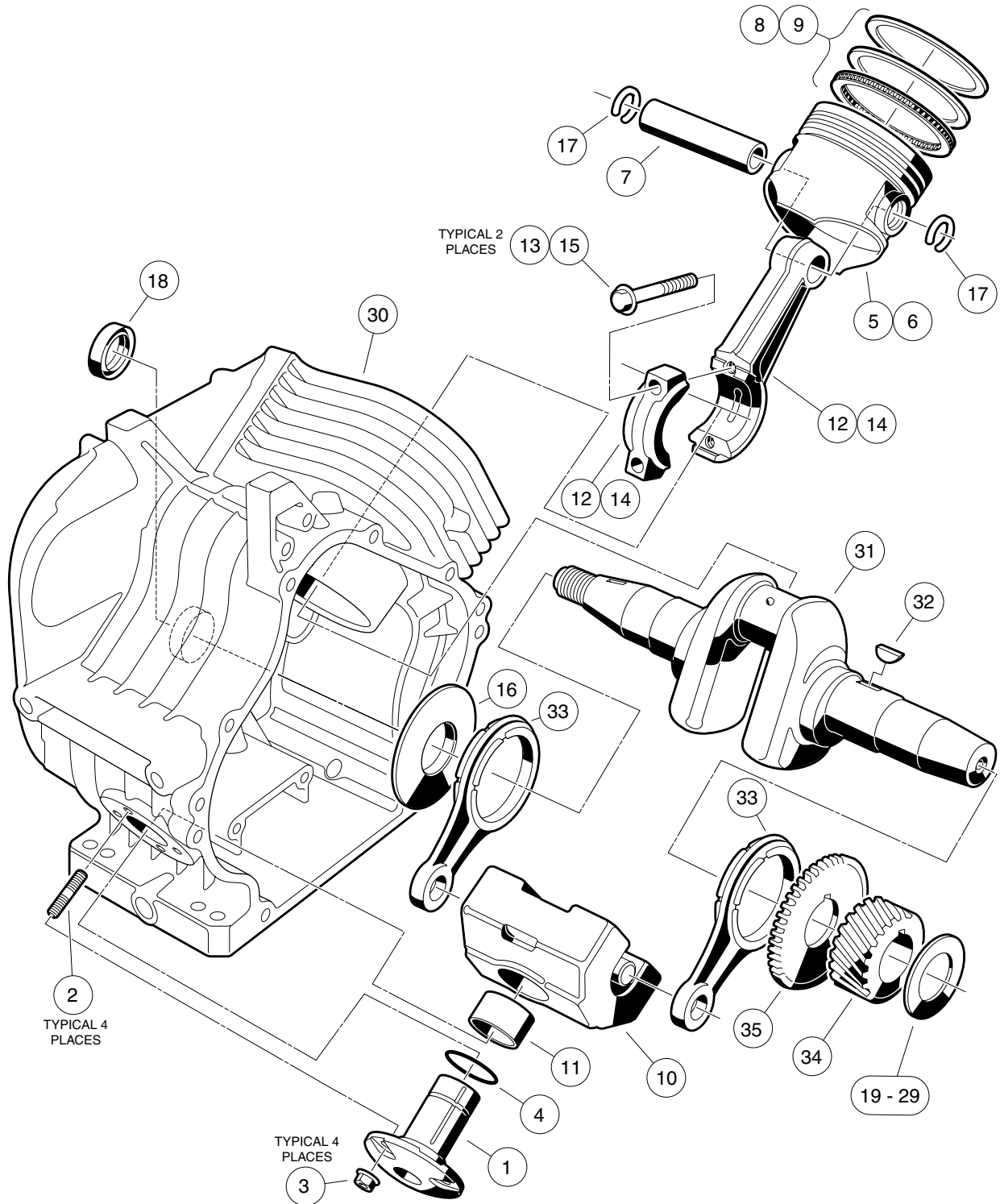


000205-002

# FE350 ENGINE WITHOUT ACR – CRANKCASE, CAMSHAFT, AND OIL SENSOR

ITEM	PART NO.	DESCRIPTION	QTY
		1 2 3 4	
1	603 00 03-07	Bolt, Flange Head, M5 x 0.8 x 8 mm .....	2
2	603 00 03-13	Plate, Oil Filter Screen .....	1
3	603 00 03-21	Sensor, Oil Level .....	1
4	603 00 03-22	Screw, Cross Pan-Head, M4 x 0.7 x 8 mm .....	3
5	603 00 03-27	Clamp .....	1
6	603 00 31-22	Bracket, Switch, Oil Level .....	1
7	603 00 03-32	Screen, Oil Filter .....	1
8	603 00 03-34	Connector, Cord .....	1
9	603 00 03-36	O-Ring .....	2
10	603 00 03-39	Screw .....	1
11	603 00 03-47	Pin .....	2
12	603 00 03-60	Bolt, Two-Ended, M8 x 1.25 x 69 mm .....	2
13	603 00 03-97	Gasket, Crankcase Cover .....	1
14	603 00 04-01	Adjuster, Lash .....	2
15	603 00 31-71	Cover Crankcase .....	1
16	603 00 04-18	Bearing, Ball .....	1
17	603 00 31-72	Seal, Oil .....	1
18	603 00 04-25	Plug .....	1
19	603 00 31-74	Bolt .....	2
20	603 00 04-28	Screw, M8-1.25 X 45mm Hex .....	6
21	603 00 04-76	Shim, 0.3 .....	A/R
22	603 00 04-77	Shim, 0.4 .....	A/R
23	603 00 04-78	Shim, 0.5 .....	A/R
24	603 00 32-65	Camshaft, FE350 without ACR, 44-Tooth .....	1

**8**  
**G**



000206-001

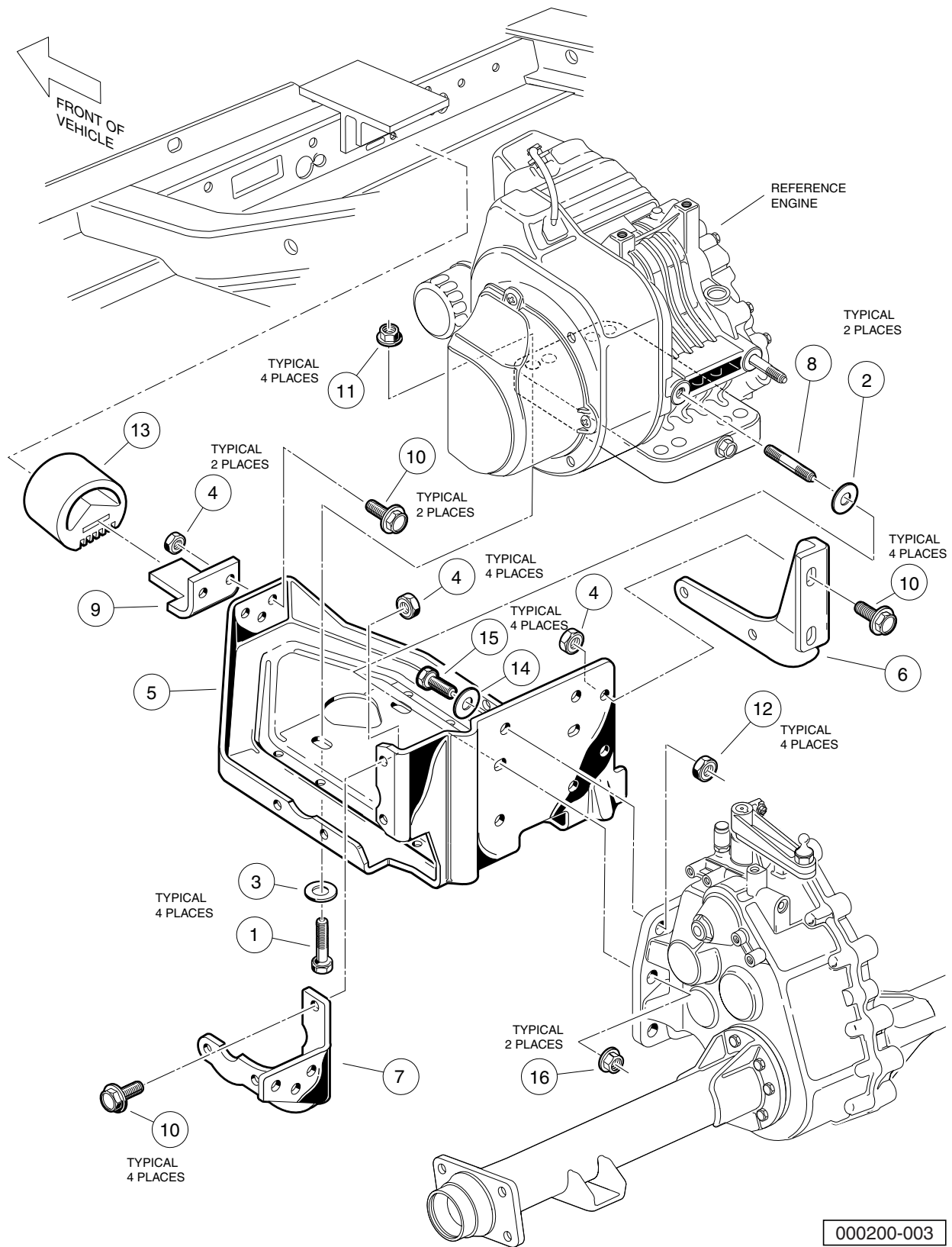
# FE350 ENGINE – CRANKCASE AND CRANKSHAFT

ITEM	PART NO.	DESCRIPTION	QTY
		1 2 3 4	
1	603 00 03-12	Shaft, Guide, Counterbalance .....	1
2	603 00 03-38	Stud, 6x14 .....	4
3	603 00 03-41	Nut .....	4
4	603 00 03-51	O-Ring .....	1
5	603 00 31-66	Piston, Standard .....	1
6	603 00 31-67	Piston, 0.50 mm Oversize .....	1
7	603 00 04-03	Pin, Piston .....	1
8	603 00 31-68	Ring Set, Standard Piston .....	1
9	603 00 31-69	Ring Set, Piston, 0.50 mm Oversize .....	1
10	603 00 31-70	Weight (includes item 11) .....	1
11	603 00 04-26	Bearing, Plain .....	1
12	603 00 04-74	Asm, Con. Rod Std (includes item 13) .....	1
13	603 00 31-73	Bolt .....	2
14	603 00 04-75	Rod Assembly Connecting Rod 0.5mm (includes item 15) .....	1
15	603 00 31-73	Bolt .....	2
16	603 00 04-21	Spacer .....	1
17	603 00 04-22	Snap Ring .....	2
18	603 00 04-23	Seal, Oil .....	1
19	603 00 04-79	Shim, Crankshaft, 1.18mm .....	A/R
20	603 00 04-80	Shim, Crankshaft, 1.25mm .....	A/R
21	603 00 04-81	Shim, Crankshaft, 1.32mm .....	A/R
22	603 00 04-82	Shim, Crankshaft, 1.39mm .....	A/R
23	603 00 04-83	Shim, Crankshaft, 1.46mm .....	A/R
24	603 00 04-84	Shim, Crankshaft, 1.53mm .....	A/R
25	603 00 04-85	Shim, Crankshaft, 1.60mm .....	A/R
26	603 00 04-86	Shim, Crankshaft, 1.67mm .....	A/R
27	603 00 04-87	Shim, Crankshaft, 1.74mm .....	A/R
28	603 00 04-88	Shim, Crankshaft, 1.11mm .....	A/R
29	603 00 04-89	Shim, Crankshaft, 1.81mm .....	A/R
30	603 00 32-29	Crankcase Complete, FE350 (cw) .....	1
31	603 00 08-59	Crankshaft, FE350 Left-Hand, 22-Tooth (includes items 32 through 35) .....	1
32	603 00 03-45	Key .....	1
33	603 00 04-12	Rod .....	2
34	N/A	Gear, Helical .....	1
35	N/A	Gear, Spur .....	1

8

G

**8**  
**G**



# FE350 ENGINE MOUNTING

ITEM	PART NO.	DESCRIPTION	QTY
		1 2 3 4	
1	603 00 01-11	Bolt, Hex-Head, 5/16-18 X 1.50 .....	4
2	603 00 01-27	Washer, 5/16 Flat .....	2
3	603 00 01-45	Washer, 5/16 Extra Thick Flat .....	4
4	603 00 01-93	Nut, 5/16-24 Hex Head Cone .....	10
5	603 00 05-05	Plate, Engine Mounting .....	1
6	603 00 05-10	Stiffener (PTO Side) .....	1
7	603 00 05-11	Stiffener (Flywheel Side) .....	1
8	603 00 05-13	Stud, M8-1.25 X 50 mm Two-Ended .....	2
9	603 00 05-19	Snubber Bracket .....	1
10	603 00 05-56	Screw, 5/16-24 X 0.875 Grade-8 .....	10
11	603 00 06-16	Locknut, 5/16-18 Hex Flange .....	4
12	603 00 07-80	Locknut, 3/8-16 Flanged Dimple .....	4
13	603 00 01-33	Inner Frame Snubber .....	1
14	603 00 00-55	Washer, 3/8 Type A Flat .....	4
15	603 00 00-59	Screw, Cap-hex Hd 3/8-16x1.25 .....	4
16	603 00 05-12	Nut Flg, M8 X 1.25 Serrated .....	2

**8**

**G**

8

G

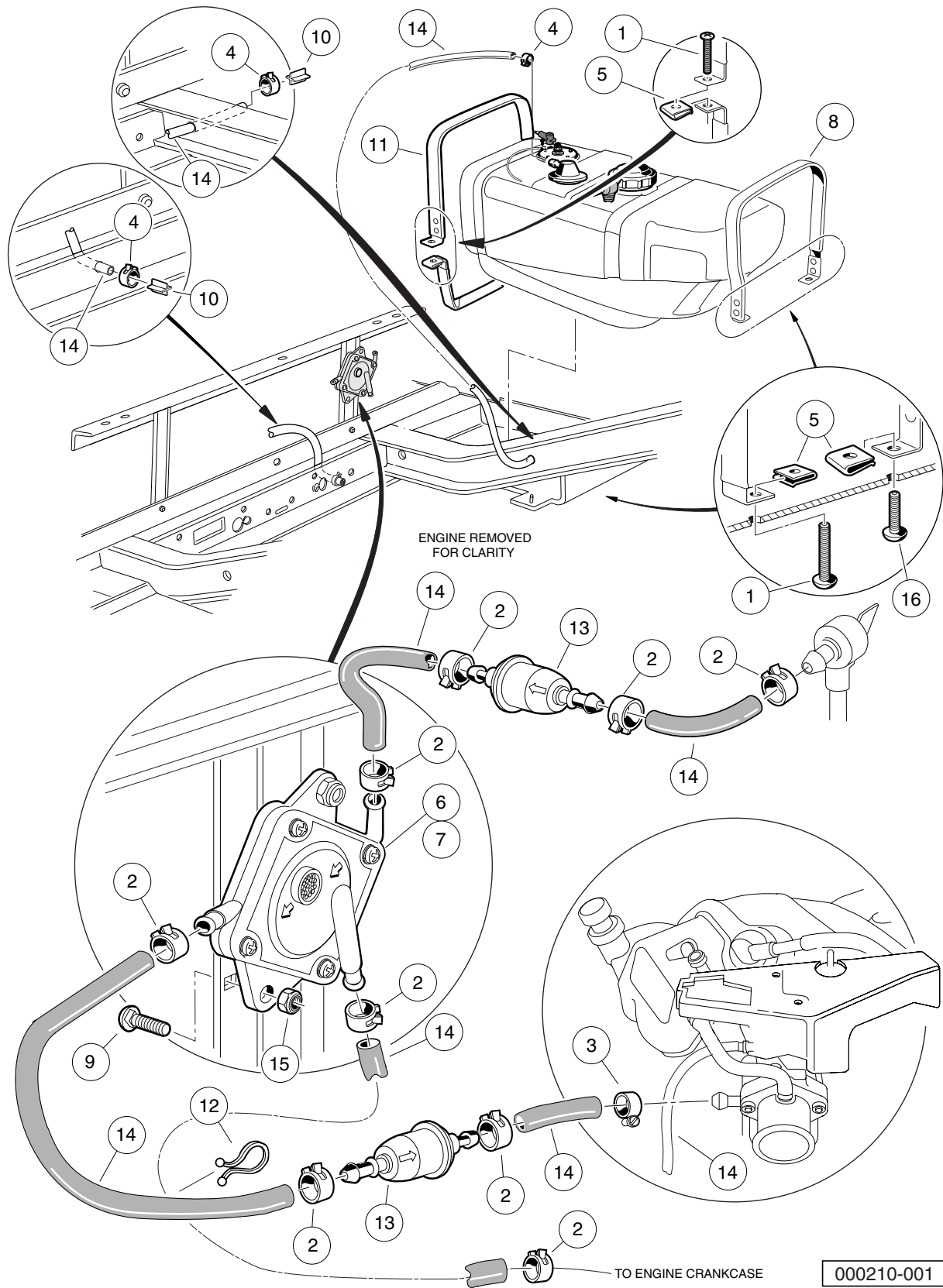


# FUEL, INTAKE, AND GOVERNOR SYSTEMS

---

9

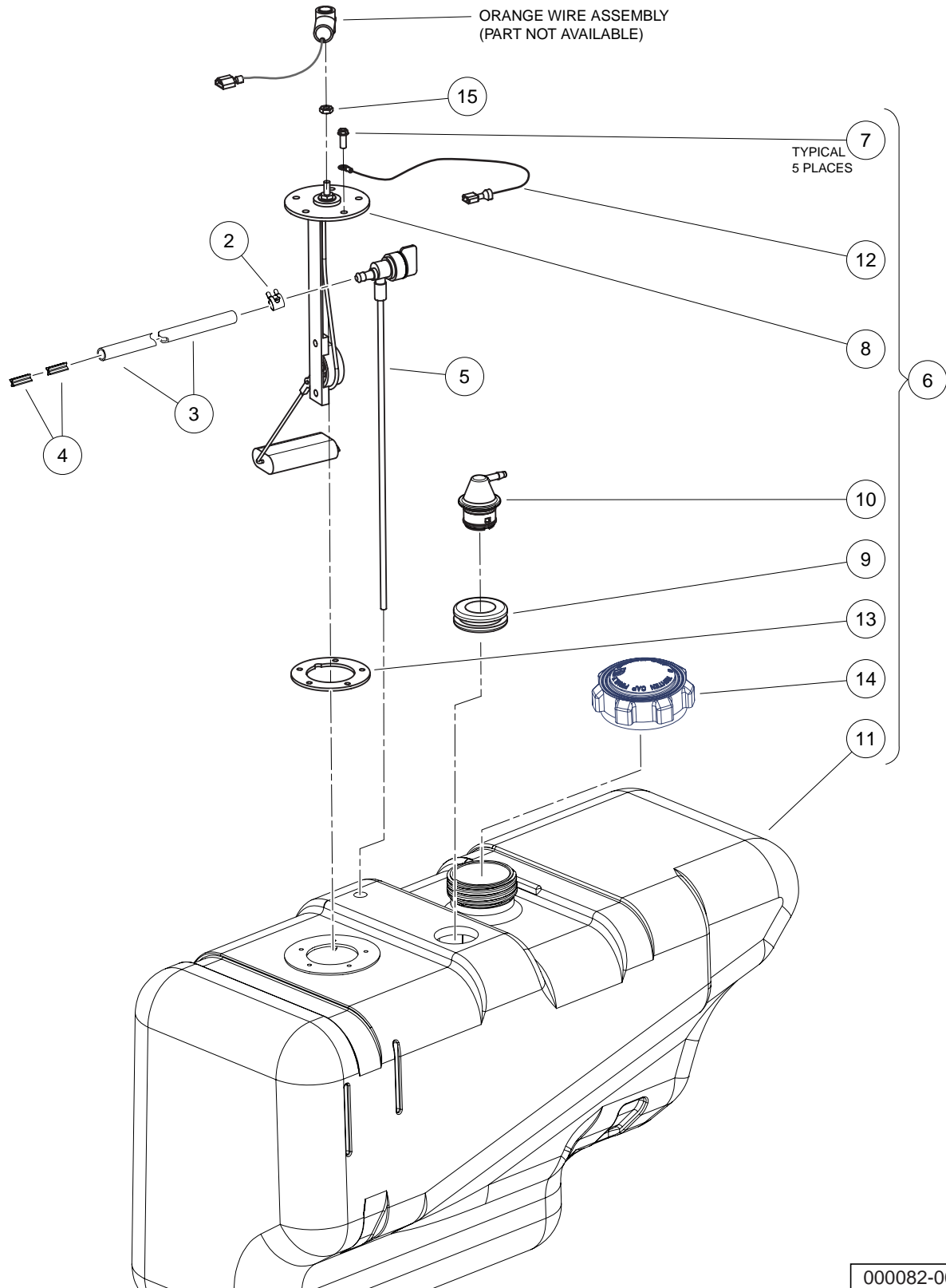
G



# FUEL SYSTEM

ITEM	PART NO.	DESCRIPTION	QTY
		1 2 3 4	
1	603 00 01-31	Screw, 1/4-20 X 2.00 Phillips Truss-Head .....	2
2	603 00 01-49	Clamp, 0.460 Red Hose .....	9
3	603 00 01-81	Clamp, 3/8" Hose (screw type) .....	1
4	603 00 01-85	Clamp, 0.301 ID Hose .....	3
5	603 00 02-10	Nut, 1/4-20 Speed .....	3
6	603 00 02-30	Pump, Impulse Fuel .....	1
7	603 00 02-31	Kit, Impulse Pump Rebuild .....	1
8	603 00 02-37	Fuel Strap Assembly Rear .....	1
9	603 00 36-25	Carriage Bolt .....	2
10	603 00 05-03	Vent Barb .....	2
11	603 00 06-11	Fuel Strap Assy, Front .....	1
12	603 00 06-24	Clamp, Plastic Tie .....	1
13	603 00 00-08	Filter, Fuel, 30 Micron .....	2
14	531 30 95-42	Fuel Line .....	A/R
15	603 00 00-89	Locknut, 1/4-20 Nylon Insert .....	2
16	603 00 00-90	Screw, 1/4-20 X 0.75 Truss-Head Machine .....	1

9  
G



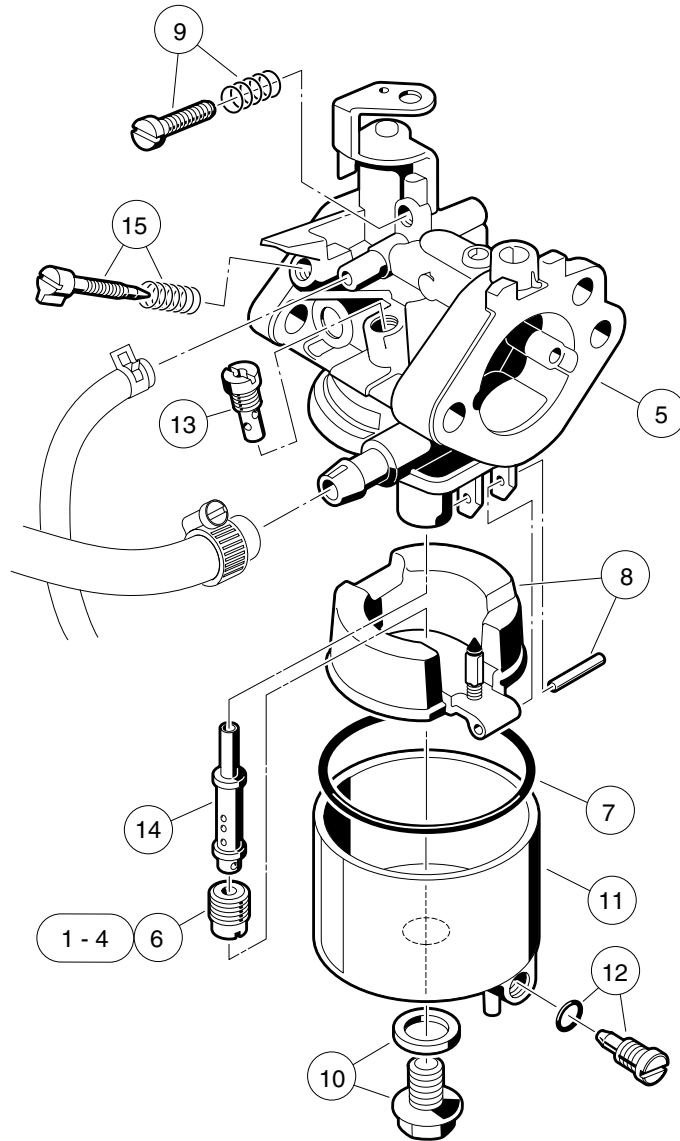
000082-003

# FUEL TANK WITH FUEL LEVEL SENDING UNIT

ITEM	PART NO.	DESCRIPTION	QTY
		1 2 3 4	
1	603 00 02-75	Tank Kit w/Sending Unit (includes items 2 through 6) .....	1
2	603 00 01-85	Clamp, 0.301 ID Hose .....	2
3	603 00 02-40	Fuel Line (available by the foot) .....	1
4	603 00 05-03	Vent Barb .....	2
5	603 00 05-75	Fuel Pickup w/Shut-Off Valve .....	1
6	N/A	Fuel Tank with Sending Unit (includes items 7 through 14) .....	1
7	603 00 01-73	Screw, #10-16 Hex-Head Hi-Lo .....	5
8	****	Sending Unit, Fuel Level * .....	1
9	603 00 02-41	Insulation Grommet .....	1
10	603 00 02-42	Vent, Fuel Tank .....	1
11	N/A	Fuel Tank with Vent and Sending Unit Hole .....	1
12	N/A	Wire Assembly #16 Black .....	1
13	603 00 30-57	Gasket, Rubber .....	1
14	531 30 95-43	Cap, Fuel Tank, Gasoline .....	1
15	603 00 00-97	Nut, #10-32 Brass Hex .....	1
<p>**** Special order item available upon request.</p> <p>* Note: Must replace fuel sending unit gasket when servicing this component.</p>			

9

G



000211-001

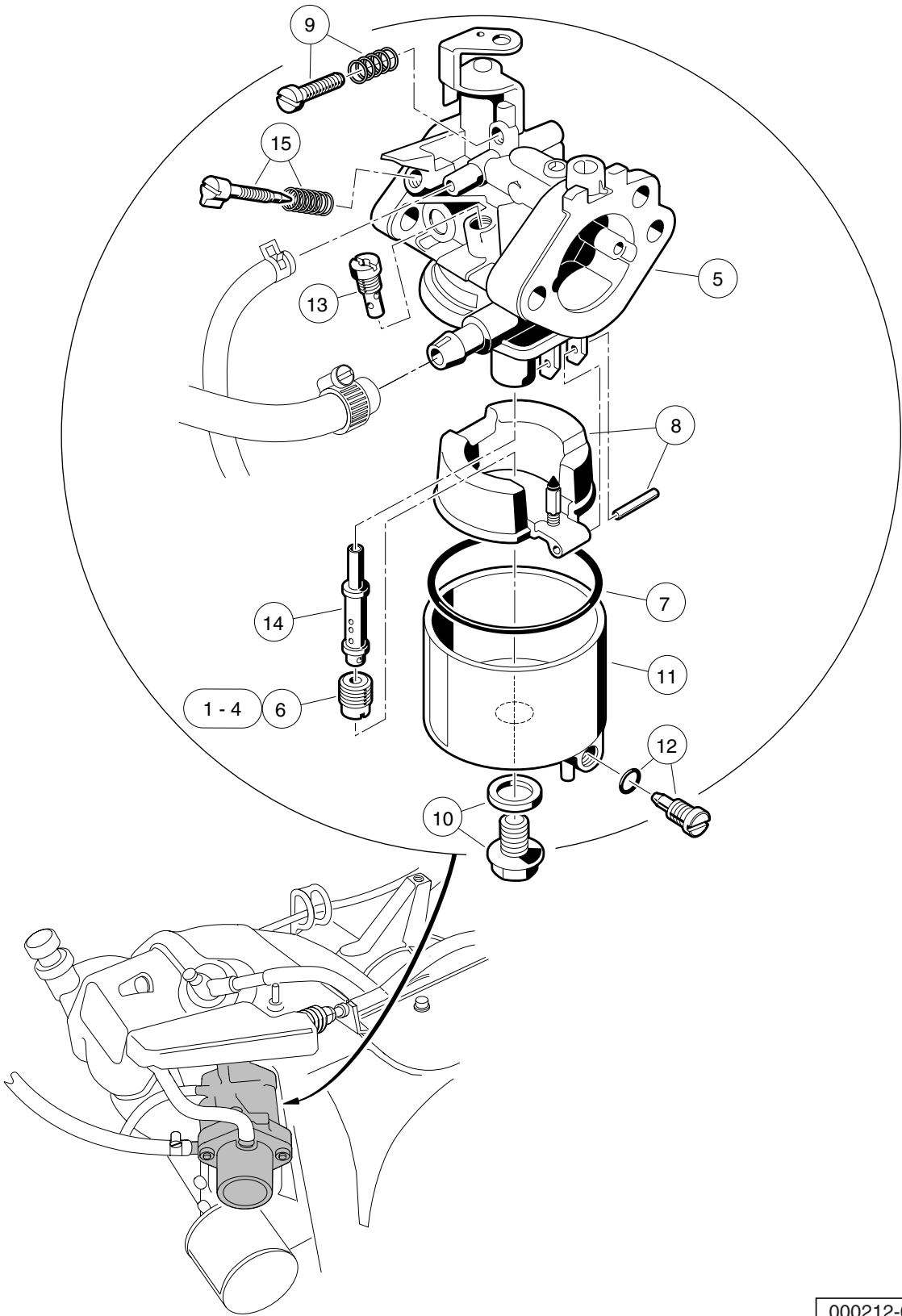
# CARBURETOR ASSEMBLY – FE290

ITEM	PART NO.	DESCRIPTION	QTY
		1 2 3 4	
1	603 00 30-93	Jet, Altitude, # 72 .....	A/R
2	603 00 30-94	Jet, Altitude, # 75 .....	A/R
3	603 00 30-95	Jet, Altitude, # 78 .....	A/R
4	603 00 30-96	Jet, Altitude, # 80 .....	A/R
5	603 00 32-18	Carburetor Assembly, FE290D (includes items 6 through 15) .....	1
6	603 00 04-67	Jet, Altitude, # 82 .....	1
7	603 00 02-97	Gasket, Carburetor Bowl OHV .....	1
8	603 00 03-19	Float Assembly .....	1
9	603 00 03-25	Screw Assembly .....	1
10	603 00 03-61	Bolt .....	1
11	603 00 04-09	Chamber Assembly, Float (includes item 12) .....	1
12	603 00 03-24	Screw Assembly .....	1
13	603 00 32-42	Jet, #40 Pilot .....	1
14	603 00 32-43	Nozzle, Main .....	1
15	N/A	Assembly, Pilot Air Screw .....	1
		<p>Note: 101642582 for 0 - 3,000 feet; 101642580 for 3,000 - 5,000 feet;            101642578 for 5,000 - 8,000 feet; 101642575 for 8,000 - 10,000 feet;            101642572 for 10,000 feet and higher.</p>	

9

G

**9**  
**G**



000212-001

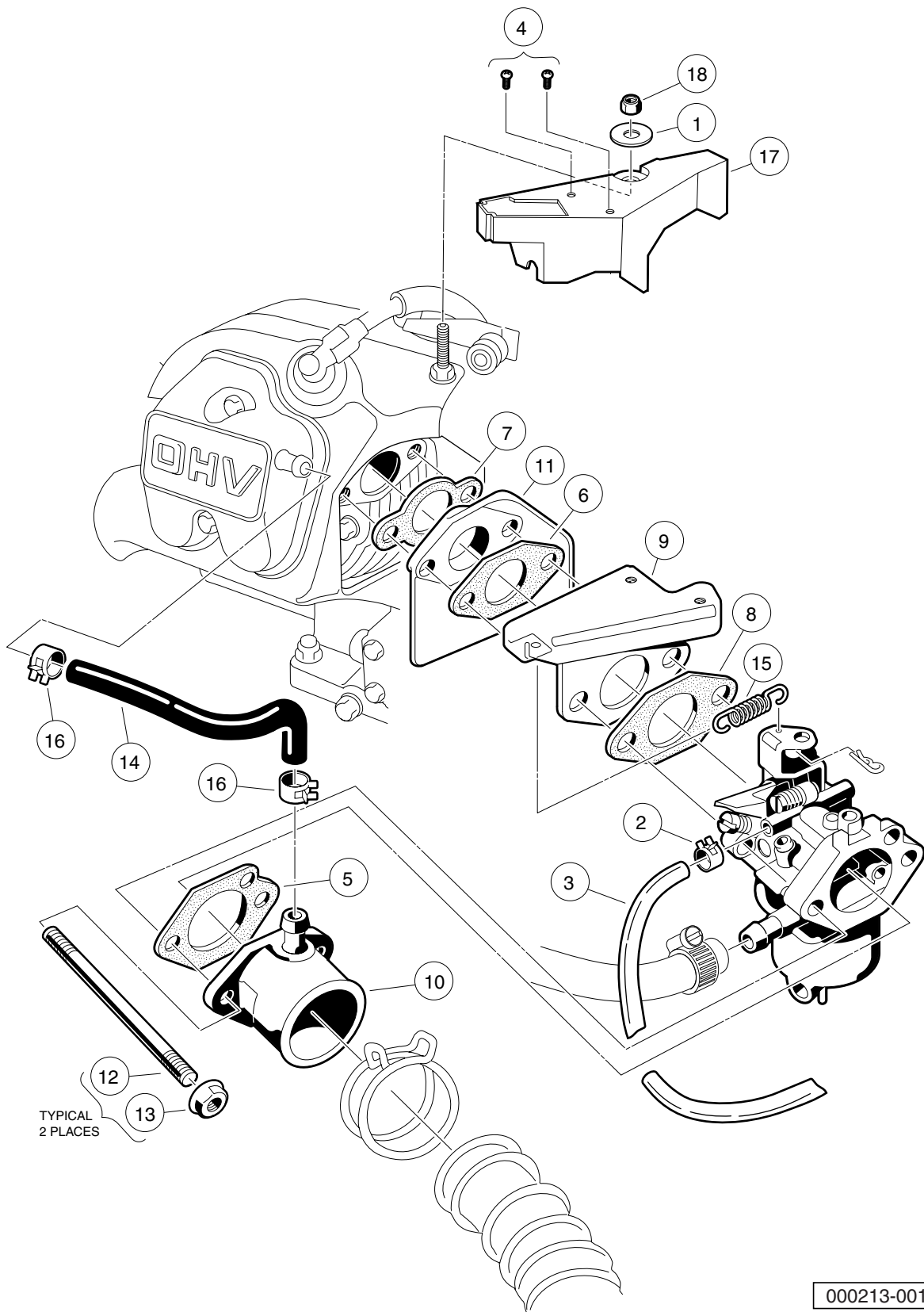


# CARBURETOR ASSEMBLY – FE350

ITEM	PART NO.	DESCRIPTION	QTY
		1 2 3 4	
1	603 00 30-94	Jet, Altitude, # 75 .....	A/R
2	603 00 30-95	Jet, Altitude, # 78 .....	A/R
3	603 00 30-96	Jet, Altitude, # 80 .....	A/R
4	603 00 04-67	Jet, Altitude, # 82 .....	A/R
5	603 00 32-19	Carburetor, FE350D (includes items 6 through 15) .....	1
6	603 00 04-68	Jet, Altitude, # 85 .....	1
7	603 00 02-97	Gasket, Carburetor Bowl OHV .....	1
8	603 00 03-19	Float Assembly .....	1
9	603 00 03-25	Screw Assembly .....	1
10	603 00 03-61	Bolt .....	1
11	603 00 04-09	Chamber Assembly, Float (includes item 12) .....	1
12	603 00 03-24	Screw Assembly .....	1
13	603 00 32-42	Jet, #40 Pilot .....	1
14	603 00 32-44	Nozzle, Main .....	1
15	N/A	Assembly, Pilot Air Screw .....	1
		<p>Note: 101642585 for 0 - 3,000 feet; 101642582 for 3,000 - 5,000 feet;            101642580 for 5,000 - 8,000 feet; 101642578 for 8,000 - 10,000 feet;            101642575 for 10,000 feet and higher.</p>	

9

G



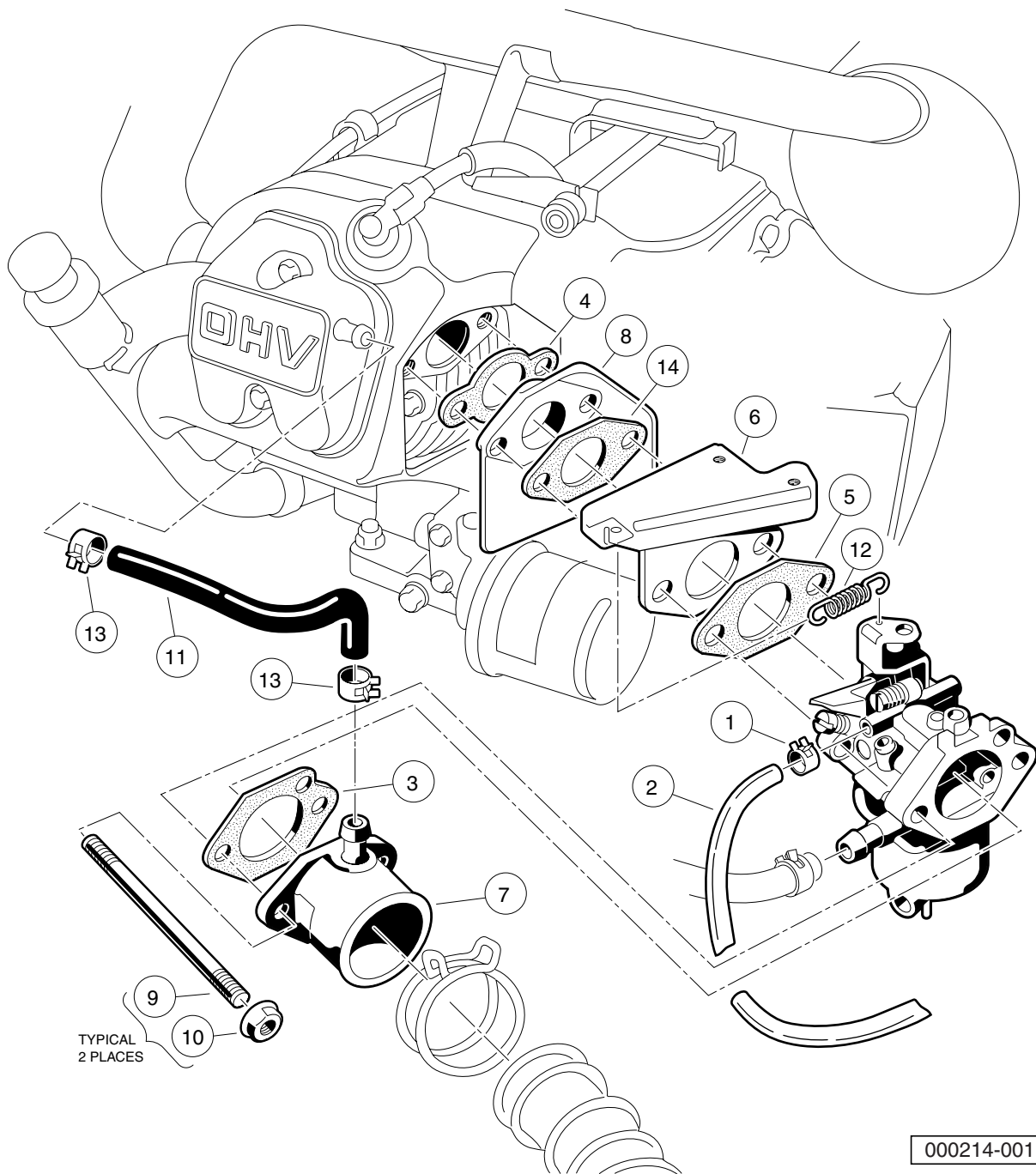
000213-001

# CARBURETOR INSTALLATION – FE290

ITEM	PART NO.	DESCRIPTION	QTY
		1 2 3 4	
1	603 00 01-27	Washer, 5/16 Flat .....	1
2	603 00 01-85	Clamp, 0.301 ID Hose .....	1
3	603 00 02-40	Fuel Line (available by the foot) .....	A/R
4	603 00 36-31	Screw, Pan Hd Tx, Taptite 6-32 .....	2
5	603 00 02-98	Gasket, Carb To Intake Manifold .....	1
6	603 00 31-00	Gasket, Insulator .....	1
7	603 00 02-99	Gasket, Engine to Insulator .....	1
8	603 00 03-00	Gasket, Sprg Brkt To Carb OHV .....	1
9	603 00 03-02	Bracket, Throttle Spring Return .....	1
10	603 00 03-17	Pipe, Intake Manifold .....	1
11	603 00 04-70	Insulator, Carburetor .....	1
12	603 00 04-72	Stud, M6-1.00 Two-Ended .....	2
13	603 00 03-41	Nut .....	2
14	603 00 03-52	Tube, Crankcase Vent .....	1
15	603 00 03-58	Spring, Throttle Return .....	1
16	603 00 04-11	Clamp .....	2
17	603 00 31-84	Shield, Governor .....	1
18	603 00 05-58	Locknut, M6-1.00 Nylon Insert .....	1

9

G

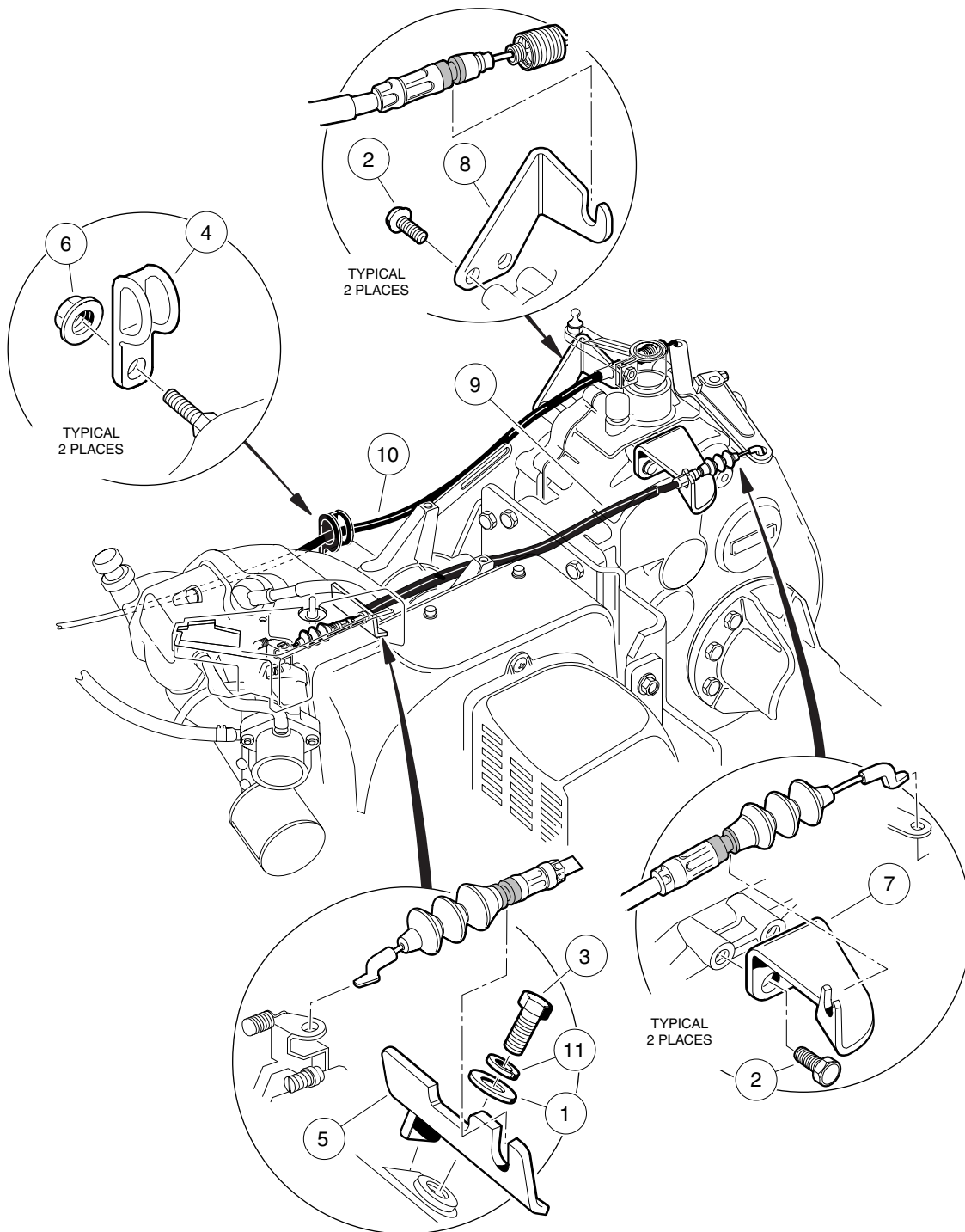


# CARBURETOR INSTALLATION – FE350

ITEM	PART NO.	DESCRIPTION	QTY
		1 2 3 4	
1	603 00 01-85	Clamp, 0.301 ID Hose .....	1
2	603 00 02-40	Fuel Line (available by the foot) .....	A/R
3	603 00 02-98	Gasket, Carb To Intake Manifold .....	1
4	603 00 02-99	Gasket, Engine to Insulator .....	1
5	603 00 03-00	Gasket, Sprg Brkt To Carb OHV .....	1
6	603 00 03-02	Bracket, Throttle Spring Return .....	1
7	603 00 03-17	Pipe, Intake Manifold .....	1
8	603 00 04-70	Insulator, Carburetor .....	1
9	603 00 04-72	Stud, M6-1.00 Two-Ended .....	2
10	603 00 03-41	Nut .....	2
11	603 00 03-52	Tube, Crankcase Vent .....	1
12	603 00 03-58	Spring, Throttle Return .....	1
13	603 00 04-11	Clamp .....	2
14	603 00 06-20	Gasket, Insulator To Bracket .....	1

9

G



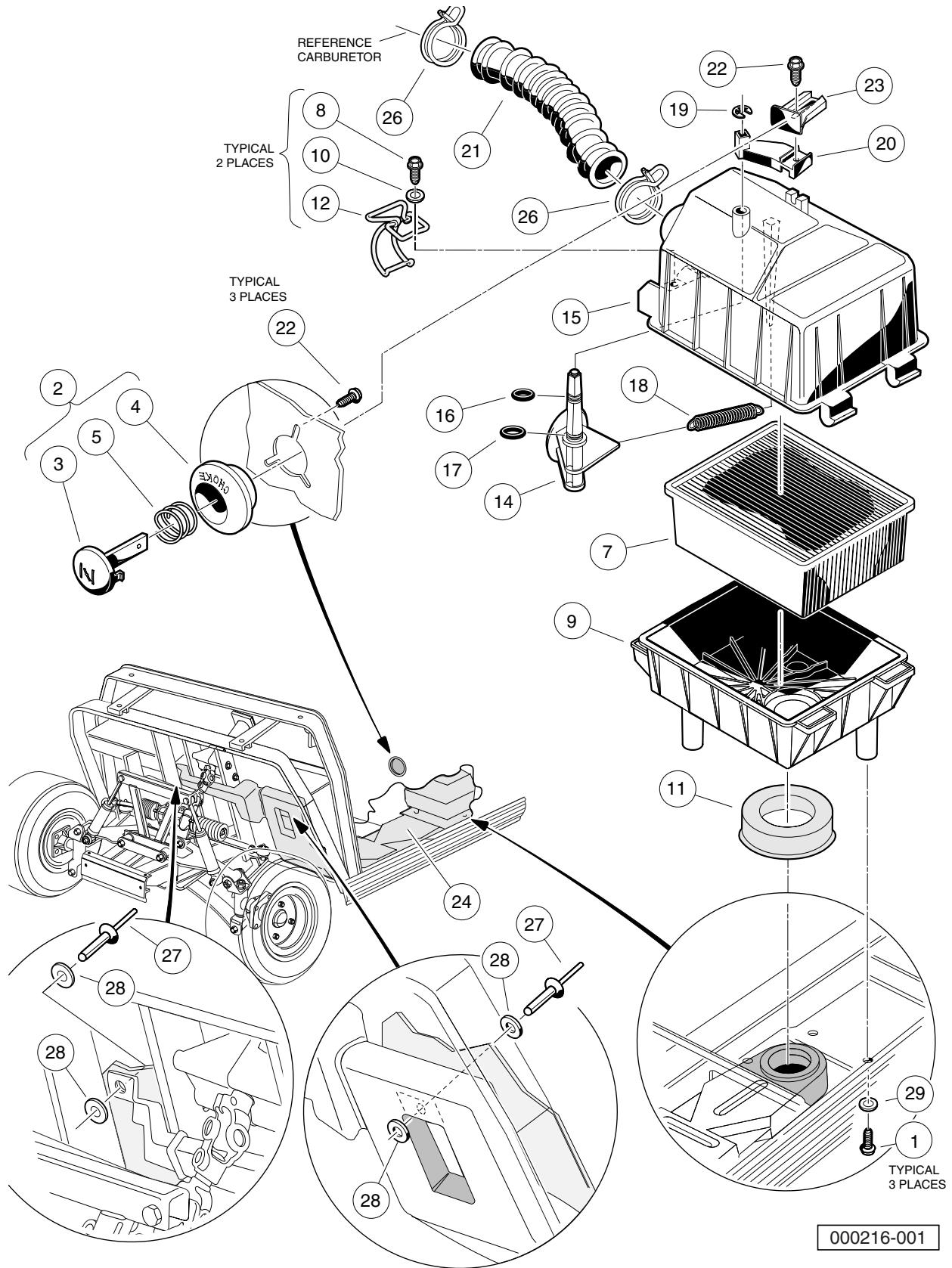
000215-001

# GOVERNOR AND ACCELERATOR CABLES

ITEM	PART NO.	DESCRIPTION	QTY
		1 2 3 4	
1	603 00 01-27	Washer, 5/16 Flat .....	1
2	603 00 01-34	Screw, 1/4 X 0.625 Hex-Head .....	4
3	603 00 05-79	Screw, M8-125 X 22 Hex-Head .....	1
4	603 00 01-83	Clamp .....	2
5	603 00 02-71	Bracket, Governor Cable Snap-In .....	1
6	603 00 03-40	Nut .....	2
7	603 00 05-08	Bracket, Rear Governor Cable Snap-In .....	1
8	603 00 05-09	Bracket, Rear Accelerator Cable Snap-In .....	1
9	603 00 08-86	Cable, Governor, Snap-In .....	1
10	603 00 08-87	Cable, Accelerator, Snap-In .....	1
11	603 00 00-72	Lockwasher, 5/16 Split .....	1

**9**

**G**





# INTAKE DUCT, CHOKE, AND AIR BOX ASSEMBLY

ITEM	PART NO.	DESCRIPTION	QTY
		1 2 3 4	
1	603 00 02-68	Screw, #12-16 X 0.625 Hi-Lo .....	3
2	603 00 31-76	Button Assembly, Choke (includes items 3 through 5) .....	1
3	603 00 31-77	Lever, Choke .....	1
4	603 00 31-78	Guide, Choke Lever .....	1
5	603 00 31-96	Compression Spring .....	1
6	603 00 05-01	Assembly, Air Box (includes items 7 through 13) .....	1
7	603 00 00-04	Filter, Air .....	1
8	603 00 04-91	Screw, #8 X 0.500, Hex-Head Hi-Lo .....	2
9	603 00 04-94	Bottom, Air Box .....	1
10	603 00 05-55	Washer, #8 Stainless-Steel Flat .....	2
11	603 00 05-92	Seal, Intake .....	1
12	603 00 05-94	Latch, Wireform .....	2
13	603 00 06-19	Top Assy, Air Box (includes items 14 through 20) .....	1
14	N/A	Valve, Choke .....	1
15	N/A	Top, Air Box .....	1
16	N/A	O-Ring, 5/16 .....	1
17	N/A	O-Ring, 3/8 .....	1
18	603 00 04-97	Spring, Extension Return .....	1
19	603 00 04-98	Retaining Ring 0.25, Shaft .....	1
20	603 00 05-91	Lever, Choke .....	1
21	603 00 05-23	Hose, Air Intake .....	1
22	603 00 31-94	Screw, #12-16 X 0.50 Washer-Head Hi-Lo .....	4
23	603 00 32-31	Choke Positioner .....	1
24	603 00 32-41	Duct Assembly .....	1
25	N/A	Tape Kit, Air Duct Repair .....	A/R
26	603 00 06-18	Clamp, 1.58" ID Hose .....	2
27	603 00 00-67	Rivet, 3/16 X .500 Alum Pop .....	2
28	603 00 00-51	Washer, #10 Type A Flat .....	4
29	603 00 00-54	Washer, 1/4 Type A Narrow Flat .....	3
Note: Item 25 is not illustrated.			

9

G

9

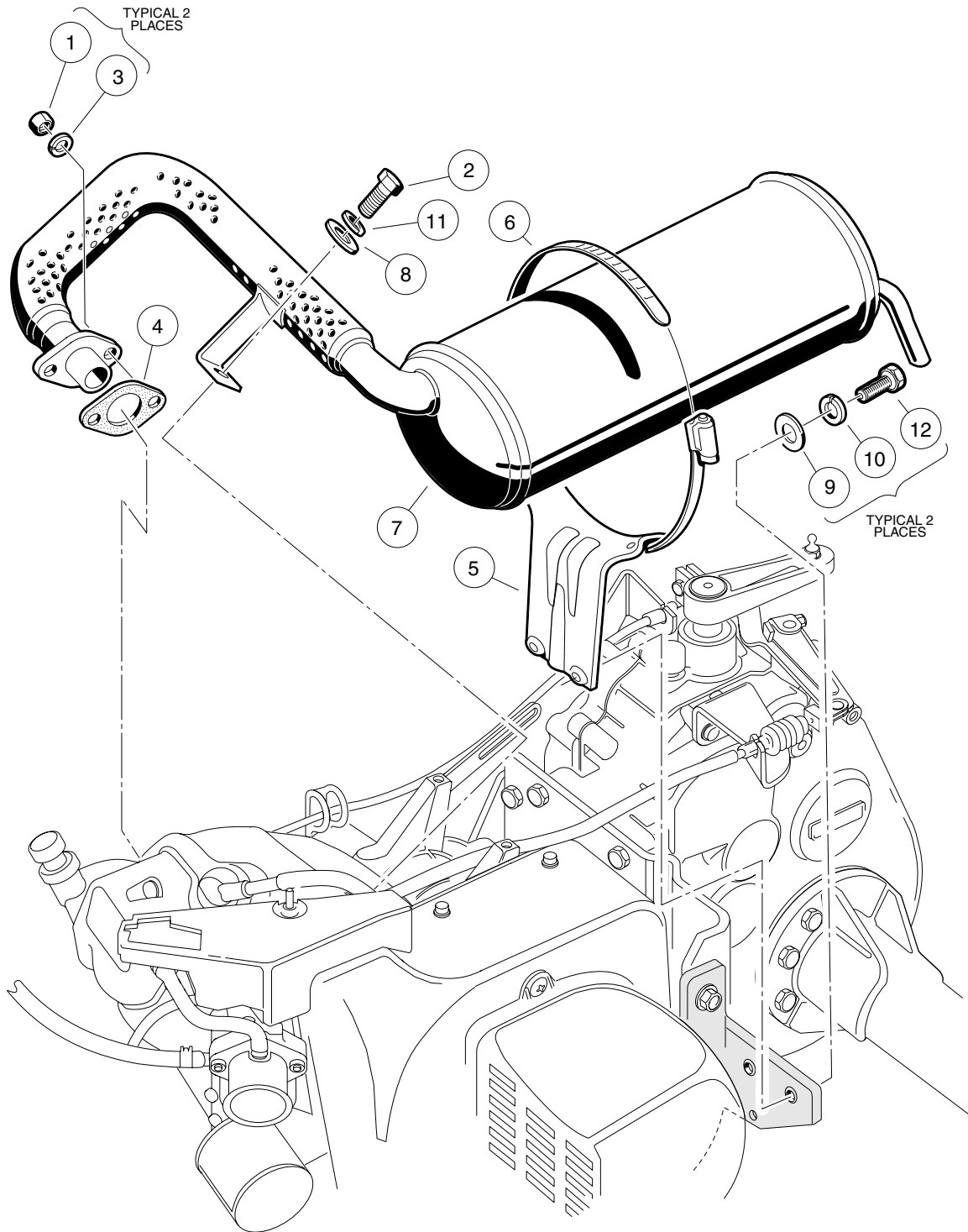
G

# EXHAUST SYSTEM

---

10

G



000208-001

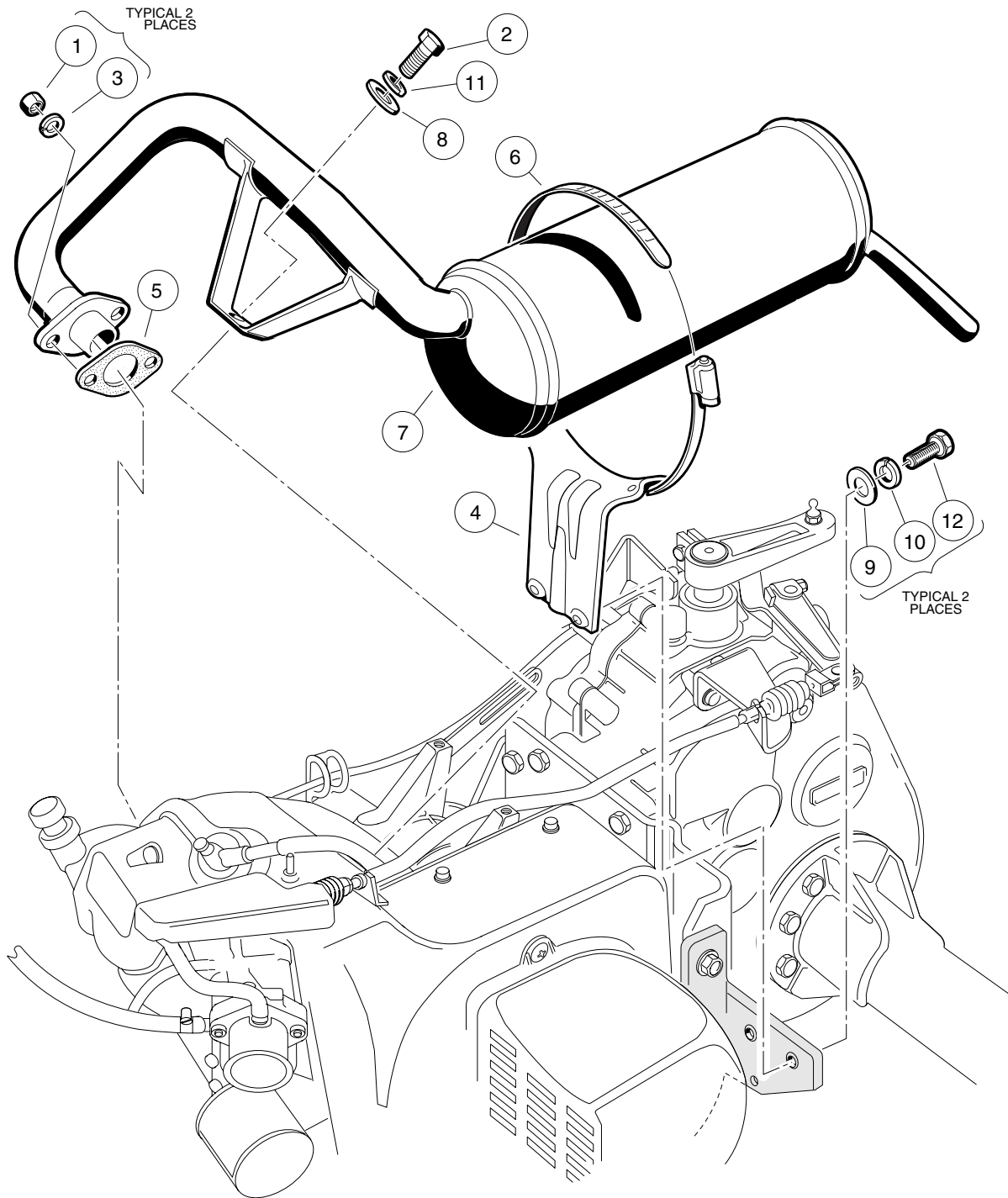
# EXHAUST SYSTEM – FE290 ENGINE

ITEM	PART NO.	DESCRIPTION	QTY
		1 2 3 4	
1	603 00 01-42	Nut, M8-1.25 Hex .....	2
2	603 00 05-79	Screw, M8-1.25 X 22 Hex-Head .....	1
3	603 00 01-84	Lockwasher, 8mm Split .....	2
4	603 00 30-83	Gasket, Exhaust .....	1
5	603 00 02-70	Bracket, Muffler Mounting .....	1
6	603 00 04-31	Clamp, 5" Muffler Hose .....	1
7	603 00 31-97	Exhaust System, FE290 .....	1
8	603 00 00-65	Washer, 5/16 Type A Flat .....	1
9	603 00 00-54	Washer, 1/4 Type A Narrow Flat .....	2
10	603 00 00-58	Lockwasher, 1/4 Helical Split .....	2
11	603 00 00-72	Lockwasher, 5/16 Split .....	1
12	603 00 00-83	Screw, 1/4-20 X 0.75 Hex-Head Cap .....	2

10

G

**10**  
**G**



000209-001

# EXHAUST SYSTEM – FE350 ENGINE

ITEM	PART NO.	DESCRIPTION	QTY
		1 2 3 4	
1	603 00 01-42	Nut, M8-1.25 Hex .....	2
2	603 00 05-79	Screw, M8-1.25 X 22 Hex-Head .....	1
3	603 00 01-84	Lockwasher, 8mm Split .....	2
4	603 00 02-70	Bracket, Muffler Mounting .....	1
5	603 00 29-93	Gasket, Exhaust .....	1
6	603 00 04-31	Clamp, 5" Muffler Hose .....	1
7	603 00 31-98	Exhaust System, FE350 .....	1
8	603 00 00-65	Washer, 5/16 Type A Flat .....	1
9	603 00 00-54	Washer, 1/4 Type A Narrow Flat .....	2
10	603 00 00-58	Lockwasher, 1/4 Helical Split .....	2
11	603 00 00-72	Lockwasher, 5/16 Split .....	1
12	603 00 00-83	Screw, 1/4-20 X 0.75 Hex-Head Cap .....	2

10

G

10

G

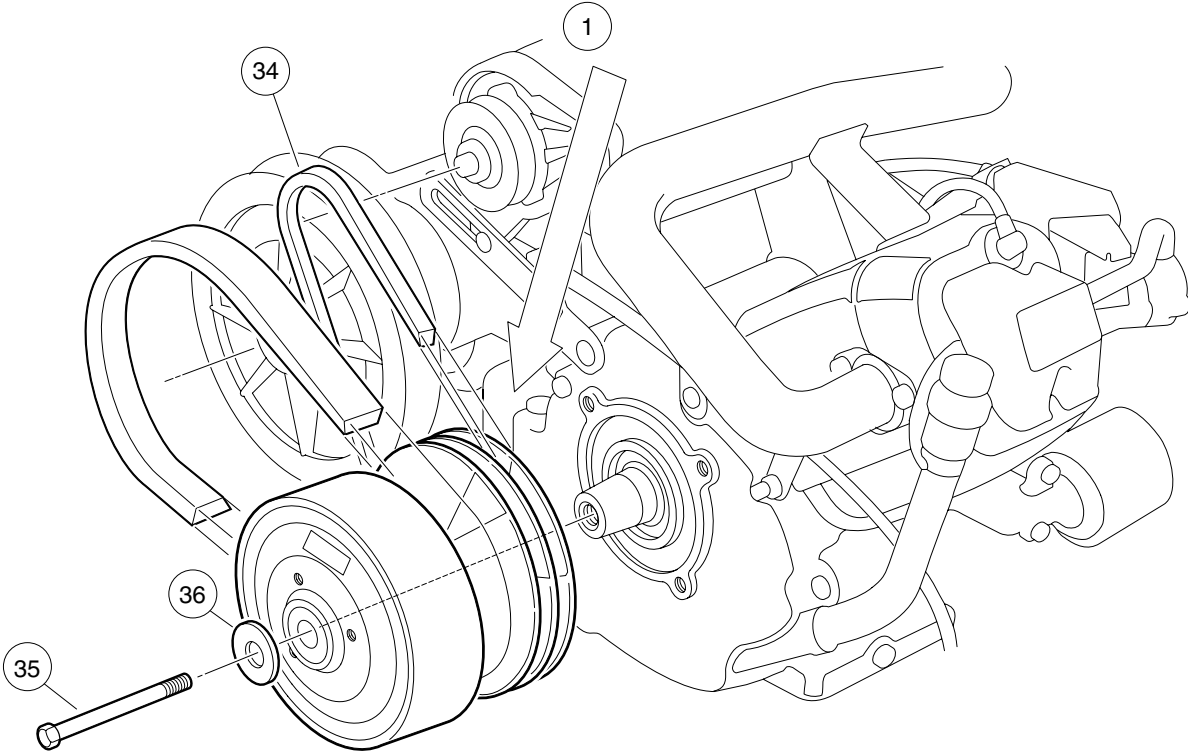
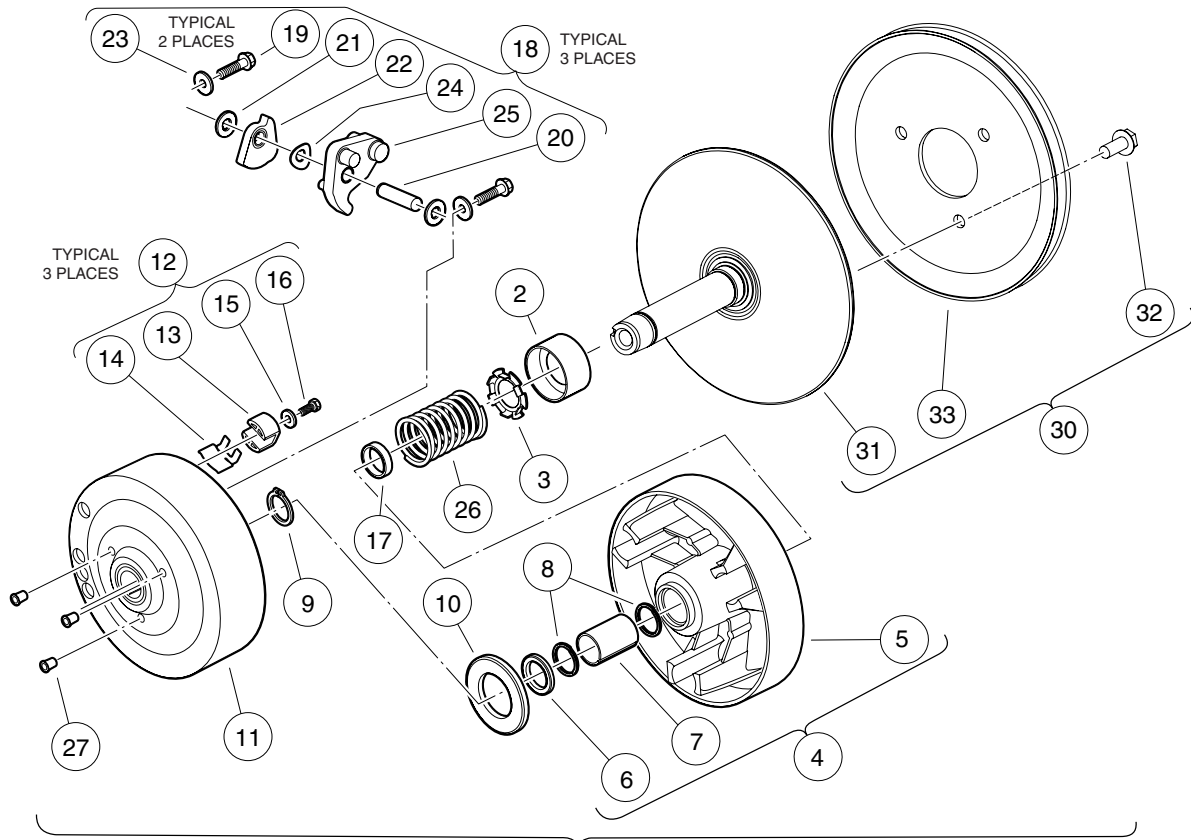


# TORQUE CONVERTER

---

11

G



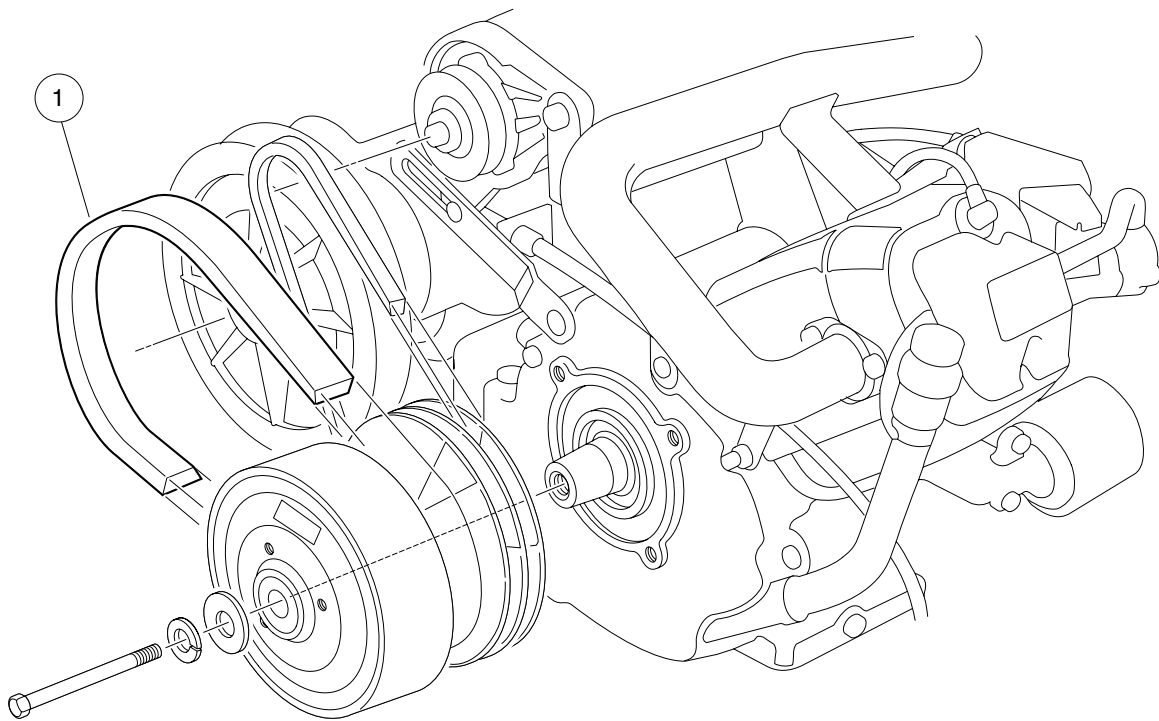
000217-003

# DRIVE CLUTCH

11

G

ITEM	PART NO.	DESCRIPTION	QTY
		1 2 3 4	
1	603 00 31-93	Drive Clutch Assy. FE 350/272 (includes items 2 through 28) .....	1
2	603 00 01-95	Bearing, Idler .....	1
3	603 00 01-96	Retainer, Spring .....	1
4	603 00 01-97	Movable-Face Assembly (includes items 5 through 7) .....	1
5	N/A	Drive Clutch Movable Face .....	1
6	603 00 01-98	Retainer .....	1
7	N/A	Bushing, Split, Drive Clutch .....	1
8	603 00 01-99	Ring, Spiral Backup .....	2
9	603 00 02-00	Ring, 0.810" Internal Retaining .....	1
10	603 00 02-01	Washer, Thrust .....	1
11	603 00 02-02	Drive Hub Assy, Drive Clutch .....	1
12	603 00 02-27	Kit, Drive Clutch Button (includes items 13 through 16) .....	1
13	603 00 02-03	Driver, Drive Clutch .....	3
14	603 00 02-19	Spring, Drive Button .....	3
15	603 00 00-51	Washer, #10 Type A Flat .....	3
16	603 00 00-92	Screw, #10-24 X 0.50 Hex-Head .....	3
17	603 00 02-85	Spacer, Fixed Face Shaft .....	1
18	603 00 03-69	Kit, Drive Clutch Weight (includes items 19 through 25) .....	1
19	603 00 30-68	Screw, 1/4-20 X 1.00 Hex Head .....	6
20	N/A	Pin, 0.3752 X 1.50 Dowel .....	3
21	603 00 02-04	Washer, 0.38" ID Delrin Flat .....	6
22	N/A	Clutch Weight, Secondary .....	3
23	N/A	Washer .....	6
24	603 00 02-82	Washer, Wave .....	3
25	N/A	Weight, Primary .....	3
26	603 00 31-52	Spring, Drive Clutch .....	1
27	N/A	Cap Plug .....	3
28	603 00 23-61	Kit, Fxd Face Dr Asm Fe290/350 (includes items 29 and 30) .....	1
29	N/A	Desiccant Bag (Not Shown) .....	1
30	N/A	Assembly, Fixed-Face Drive (includes items 31 through 33) .....	1
31	N/A	Fixed Face Assembly, Drive Clutch .....	1
32	603 00 02-20	Screw, 5/16-18 X 0.75 Thread-Forming .....	3
33	N/A	Pulley, Clutch .....	1
34	603 00 05-89	V-Belt .....	1
35	603 00 43-80	Screw 3/8-24x5.5 Hex Loc Ptch .....	1
36	603 00 36-17	Washer, 3/8 Type B Flat .....	1
		Note: Item 29 not shown.	

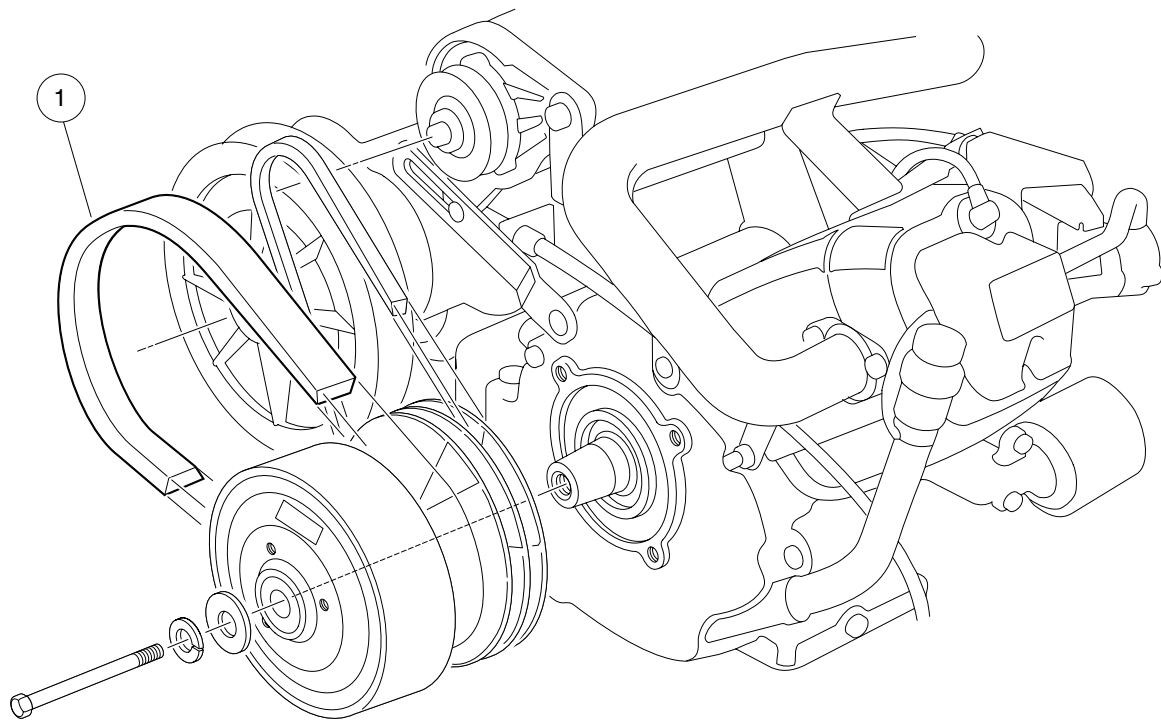


000218-001

# DRIVE BELT – FE290

ITEM	PART NO.	DESCRIPTION	QTY
1	603 00 30-85	1 2 3 4 Belt, Drive .....	1

**11**  
**G**

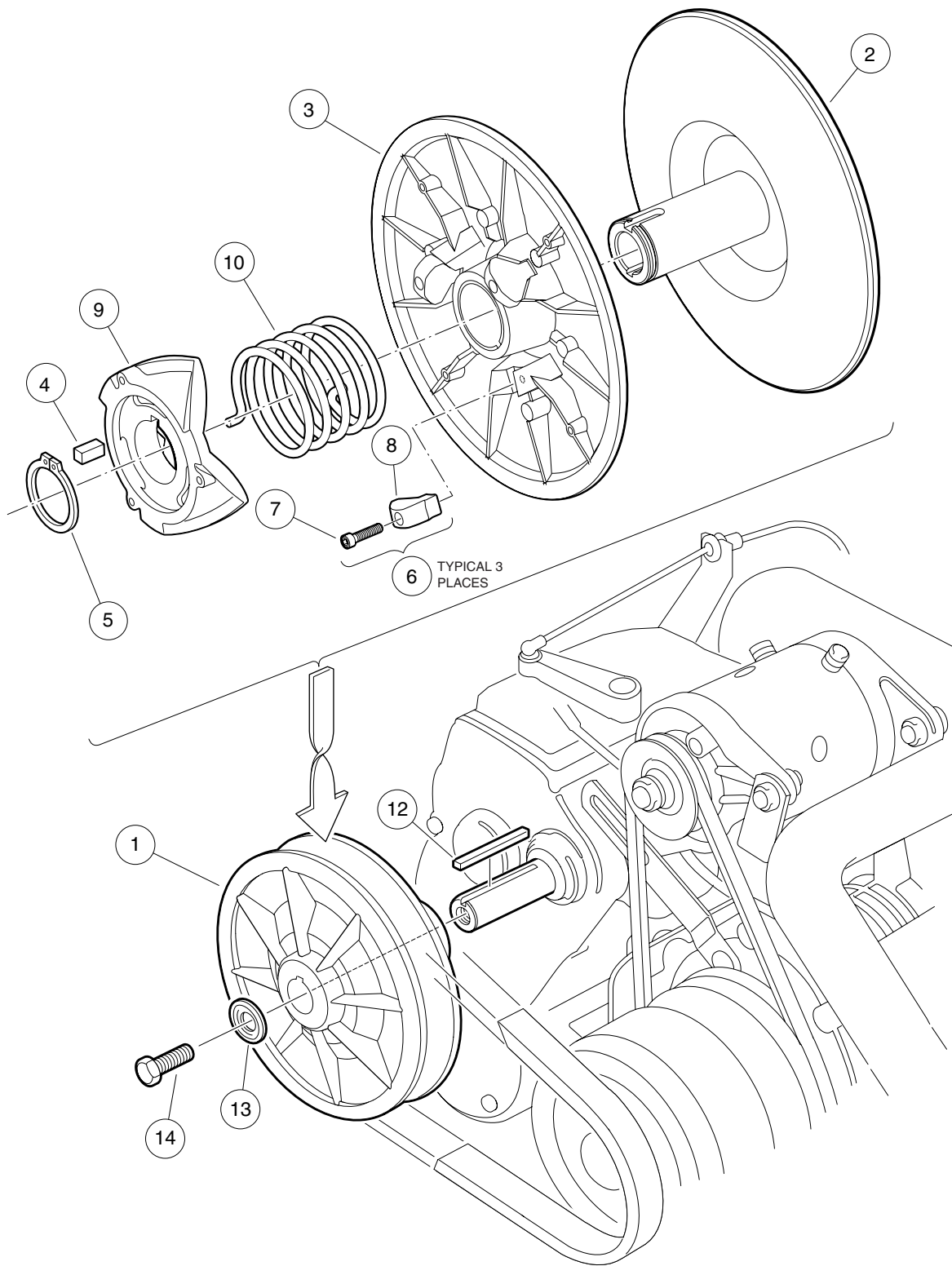


000218-001

# DRIVE BELT – FE350

ITEM	PART NO.	DESCRIPTION	QTY
1	603 00 31-57	1 2 3 4 Belt, Drive (FE350) .....	1

**11**  
**G**



000219-001



# DRIVEN CLUTCH

ITEM	PART NO.	DESCRIPTION	QTY
		1 2 3 4	
1	603 00 05-18	Assembly, Driven Clutch (includes items 2 through 10) .....	1
2	603 00 02-05	Fixed Face Assy, Driven Clutch .....	1
3	603 00 02-06	Movable-Face Assembly with Bushing .....	1
4	603 00 02-07	Key, Driven Clutch .....	1
5	603 00 02-08	Ring, Retaining .....	1
6	603 00 20-66	Kit, Driven Clutch Button (includes items 7 and 8) .....	1
7	603 00 30-55	Screw, #8-32 X 3/4 Socket-Head Cap .....	3
8	N/A	Button, Drive .....	3
9	603 00 04-30	Cam, Driven Clutch .....	1
10	603 00 05-22	Spring, Driven Clutch, Reversed .....	1
11	603 00 03-91	Kit, Clutch Repair (includes items 12 through 14) .....	1
12	603 00 05-15	Key, 3/16 Sq X 1.50" .....	1
13	N/A	Washer, Driven Clutch .....	1
14	603 00 08-17	Screw, 5/16-18 X 3/4 Hex-Head with Patch .....	1

11

G

11

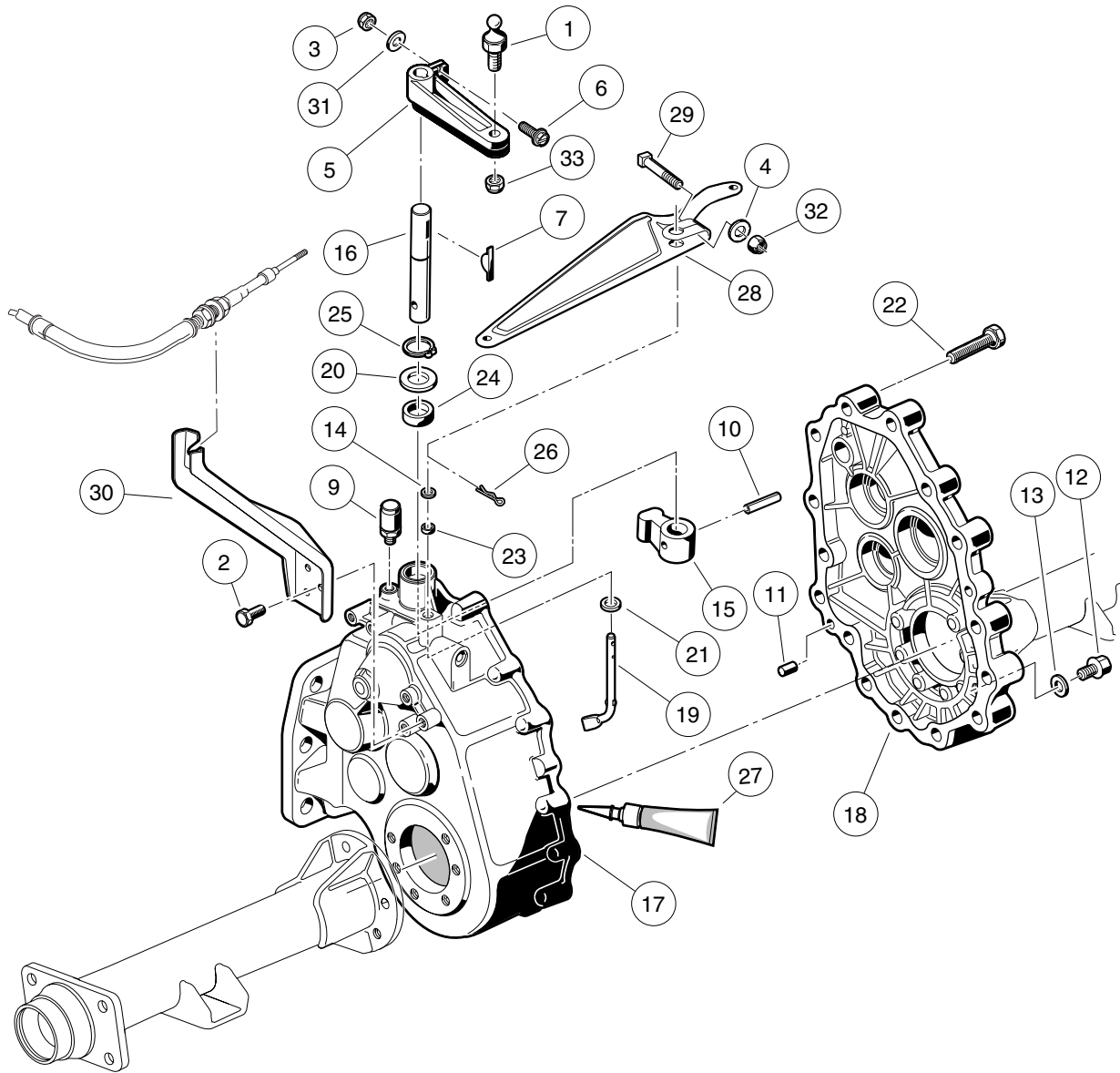
G

# TRANSAXLE AND FNR SHIFTER- GASOLINE VEHICLE

---

12

G

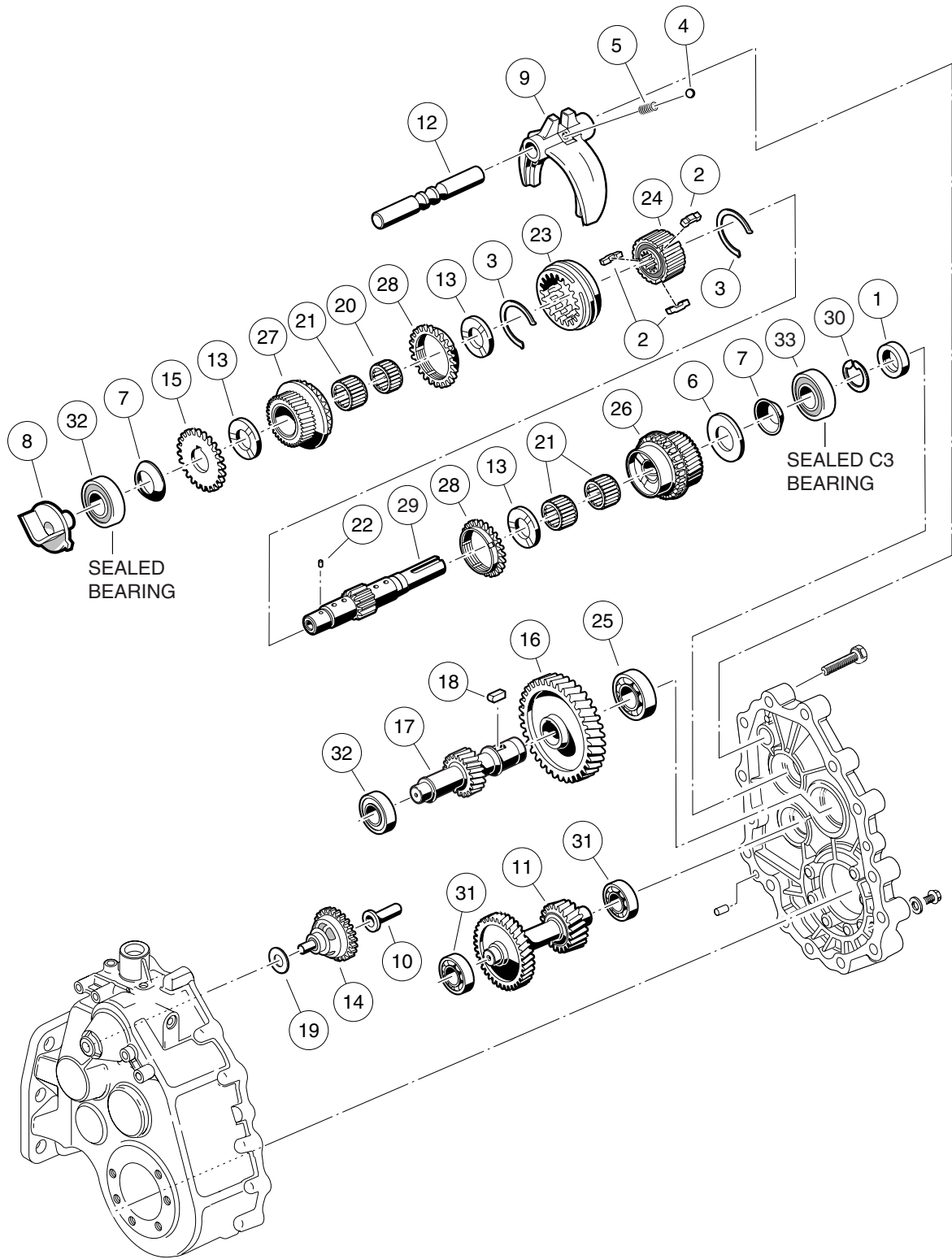


000220-001

# TRANSAXLE – GASOLINE VEHICLES, GEAR CASES AND BRACKETS

ITEM	PART NO.	DESCRIPTION	QTY
		1 2 3 4	
1	603 00 01-17	Stud, 1/4-28 X 0.560 Ball .....	1
2	603 00 01-34	Screw, 1/4 X 0.625 Hex-Head .....	3
3	603 00 01-71	Locknut, #10-32 Nylon Insert .....	1
4	603 00 01-94	Washer, 1/4 Flat .....	1
5	603 00 02-88	Lever, Transmission Shift .....	1
6	603 00 03-83	Screw, #10-32 X 0.75, Hex-Head Machine .....	1
7	603 00 03-87	Key, Woodruff .....	1
8	603 00 31-92	Transaxle, 11.77 Ratio (includes items 9 through 27) .....	1
9	603 00 01-50	Breather .....	1
10	603 00 01-56	Roll Pin .....	1
11	603 00 01-59	Pin, Dowel .....	2
12	603 00 20-52	Fill Plug .....	2
13	603 00 02-95	Gasket, Drain Plug .....	1
14	603 00 03-29	Washer, M6 Flat .....	1
15	603 00 05-61	Lever, Change .....	1
16	603 00 05-62	Shaft - Change .....	1
17	603 00 32-07	Gear Case (driver side) .....	1
18	603 00 32-08	Gear Case (passenger side) .....	1
19	603 00 05-63	Arm Pivot .....	1
20	603 00 05-69	Washer .....	1
21	603 00 05-71	Washer .....	1
22	603 00 05-96	Screw, M8-1.25 X 40mm Hex-Head .....	15
23	603 00 05-97	Seal, Oil .....	1
24	603 00 05-98	Seal, Oil .....	1
25	603 00 05-99	Snap Ring .....	1
26	603 00 06-06	Pin, Cotter .....	1
27	603 00 06-07	Liquid Gasket (Transaxle case) .....	A/R
28	603 00 05-20	Arm, Governor .....	1
29	603 00 05-57	Screw, 1/4-20 X 1.00 Square-Head .....	1
30	603 00 32-33	Bracket, Shifter .....	1
31	603 00 00-51	Washer, #10 Type A Flat .....	1
32	603 00 00-89	Locknut, 1/4-20 Nylon Insert .....	1
33	603 00 00-94	Locknut, 1/4-28 Nylon Insert .....	1

**12**  
**G**



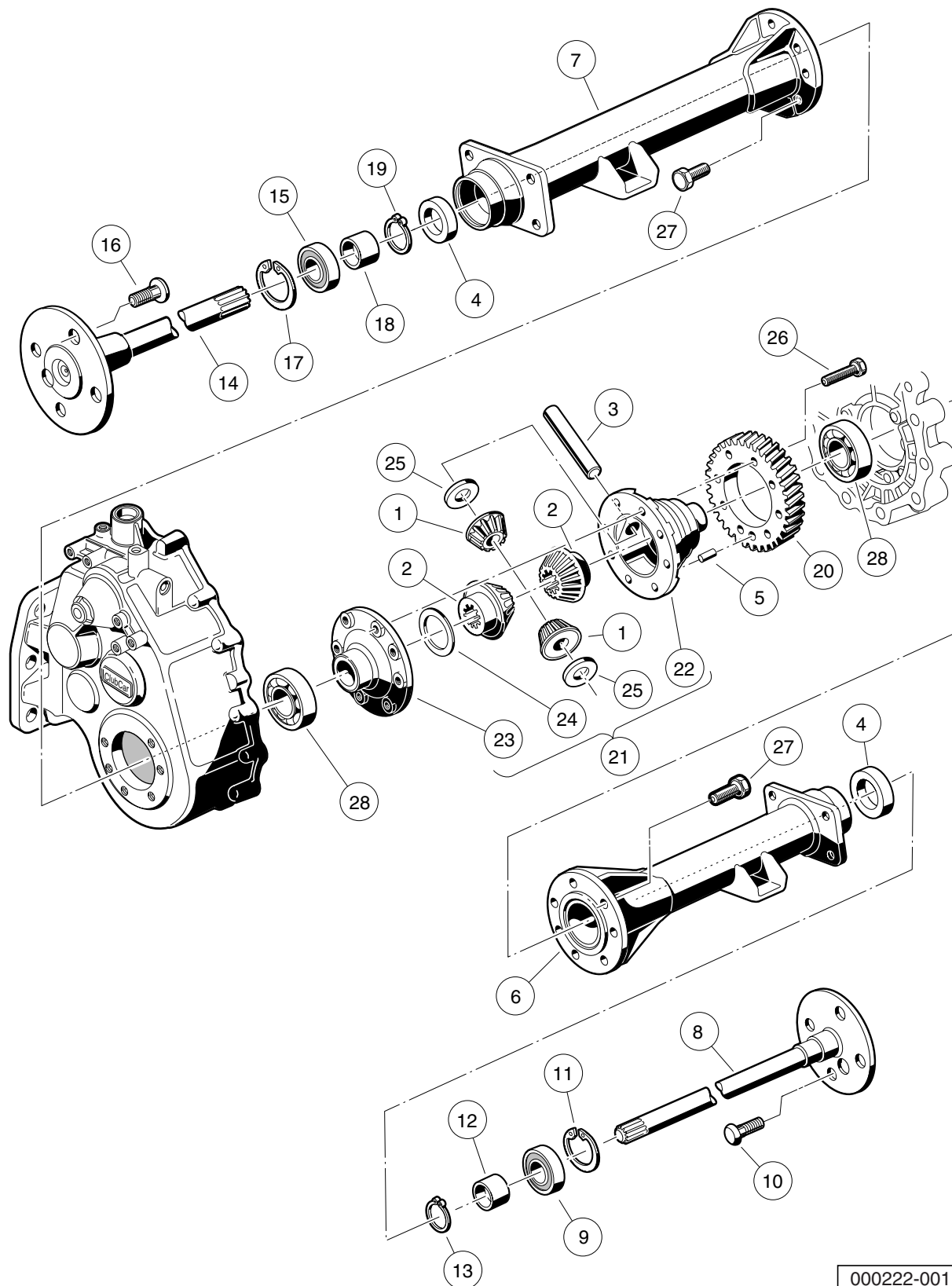
000221-001

# TRANSAXLE – GASOLINE VEHICLES, TRANSMISSION AND GEAR REDUCTION

**12**  
**G**

ITEM	PART NO.	DESCRIPTION	QTY
		1 2 3 4	
1	603 00 01-51	Oil Seal .....	1
2	603 00 01-52	Synchro Insert .....	3
3	603 00 01-53	Synchro Spring .....	2
4	603 00 01-54	Shifter Ball .....	1
5	603 00 01-55	Shifter Spring .....	1
6	603 00 02-86	Washer, Thrust .....	1
7	603 00 02-87	Washer, Spring .....	2
8	603 00 05-59	Guide .....	1
9	603 00 05-60	Fork - Shift .....	1
10	603 00 05-64	Sleeve, Governor .....	1
11	603 00 32-13	Gear, Cluster .....	1
12	603 00 05-65	Rod, Shift .....	1
13	603 00 05-66	Plate, Thrust .....	3
14	603 00 05-67	Governor Assembly .....	1
15	603 00 05-68	Gear, Spur .....	1
16	603 00 32-14	Gear, Helical (61 Tooth) .....	1
17	603 00 32-15	Gear, Helical (17 Tooth) .....	1
18	603 00 05-70	Key Sunk .....	1
19	603 00 05-72	Washer .....	1
20	603 00 06-00	Needle Bearing .....	1
21	603 00 06-01	Needle Bearing .....	3
22	603 00 06-02	Pin, .116" Dia X 0.264 Dowel .....	1
23	603 00 06-03	Sleeve, Synchro .....	1
24	603 00 06-04	Hub, Synchro Clutch .....	1
25	603 00 32-34	Bearing, Ball .....	1
26	603 00 06-22	Gear Assembly, 16-Degree Synchro (25 Tooth) .....	1
27	603 00 32-45	Gear Assembly, 16-Degree Rear Synchro (28 Tooth) .....	1
28	603 00 06-23	Ring, 16-Degree Synchronizer .....	2
29	603 00 10-82	Shaft, Trans, with Circlip .....	1
30	603 00 10-83	Circlip .....	1
31	603 00 00-76	Bearing .....	2
32	603 00 18-02	Bearing, Ball, Sealed .....	2
33	603 00 18-03	Bearing, Ball, Sealed .....	1
<p>Note: Items listed on this page are components of the unitized transaxle.</p>			

**12**  
**G**



000222-001

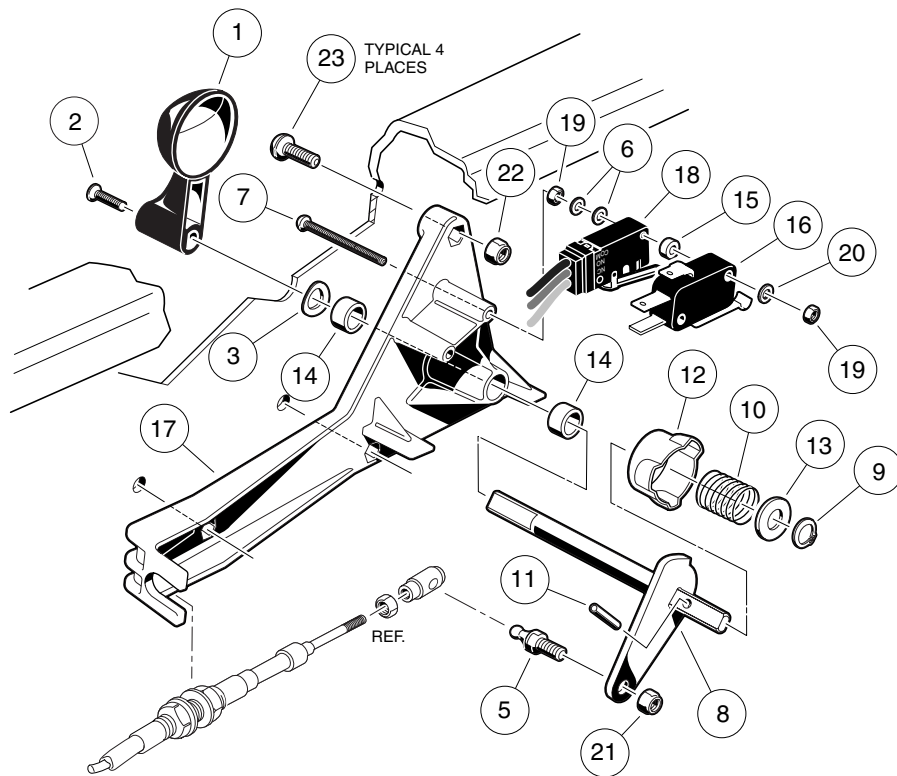


# TRANSAXLE – GASOLINE VEHICLES, DIFFERENTIAL AND AXLES

ITEM	PART NO.	DESCRIPTION	QTY
		1 2 3 4	
1	603 00 01-86	Differential Idler Gear .....	2
2	603 00 30-60	Gear, Differential .....	2
3	603 00 01-87	Pin, Differential .....	1
4	603 00 30-62	Axle Shaft Oil Seal .....	2
5	N/A	Dowel Pin .....	1
6	603 00 32-09	Pipe .....	1
7	603 00 32-10	Pipe .....	1
8	603 00 32-11	Axle Assembly, Passenger Side (includes items 9 through 13) .....	1
9	603 00 01-20	Outer Axle, Tube Bearing .....	1
10	603 00 01-89	Lug Stud .....	4
11	603 00 01-90	Circlip Type C .....	1
12	603 00 30-70	Bushing .....	1
13	603 00 31-51	Retaining Ring .....	1
14	603 00 32-12	Axle Assembly, Driver-Side (includes items 15 through 19) .....	1
15	603 00 01-20	Outer Axle, Tube Bearing .....	1
16	603 00 01-89	Lug Stud .....	4
17	603 00 01-90	Circlip Type C .....	1
18	603 00 30-70	Bushing .....	1
19	603 00 31-51	Retaining Ring .....	1
20	603 00 32-16	Gear, Helical .....	1
21	603 00 32-22	Kit, Differential Gear Case (includes items 22 through 25) .....	1
22	603 00 30-58	Differential Gear Case, Left-Hand .....	1
23	603 00 30-59	Differential Gear Case, Right-Hand .....	1
24	603 00 30-61	Plate, Thrust (Differential Gear) .....	1
25	603 00 01-88	Plate, Thrust (Idler Gear) .....	2
26	603 00 06-05	Screw, M8-1.25 X 35mm Hex Head .....	8
27	603 00 07-11	Bolt, M10 X 1.5 X 30mm .....	14
28	603 00 00-75	Inner Axle Tube Bearing .....	2
<p>Note: Items listed on this page are components of the unitized transaxle.</p>			

12

G

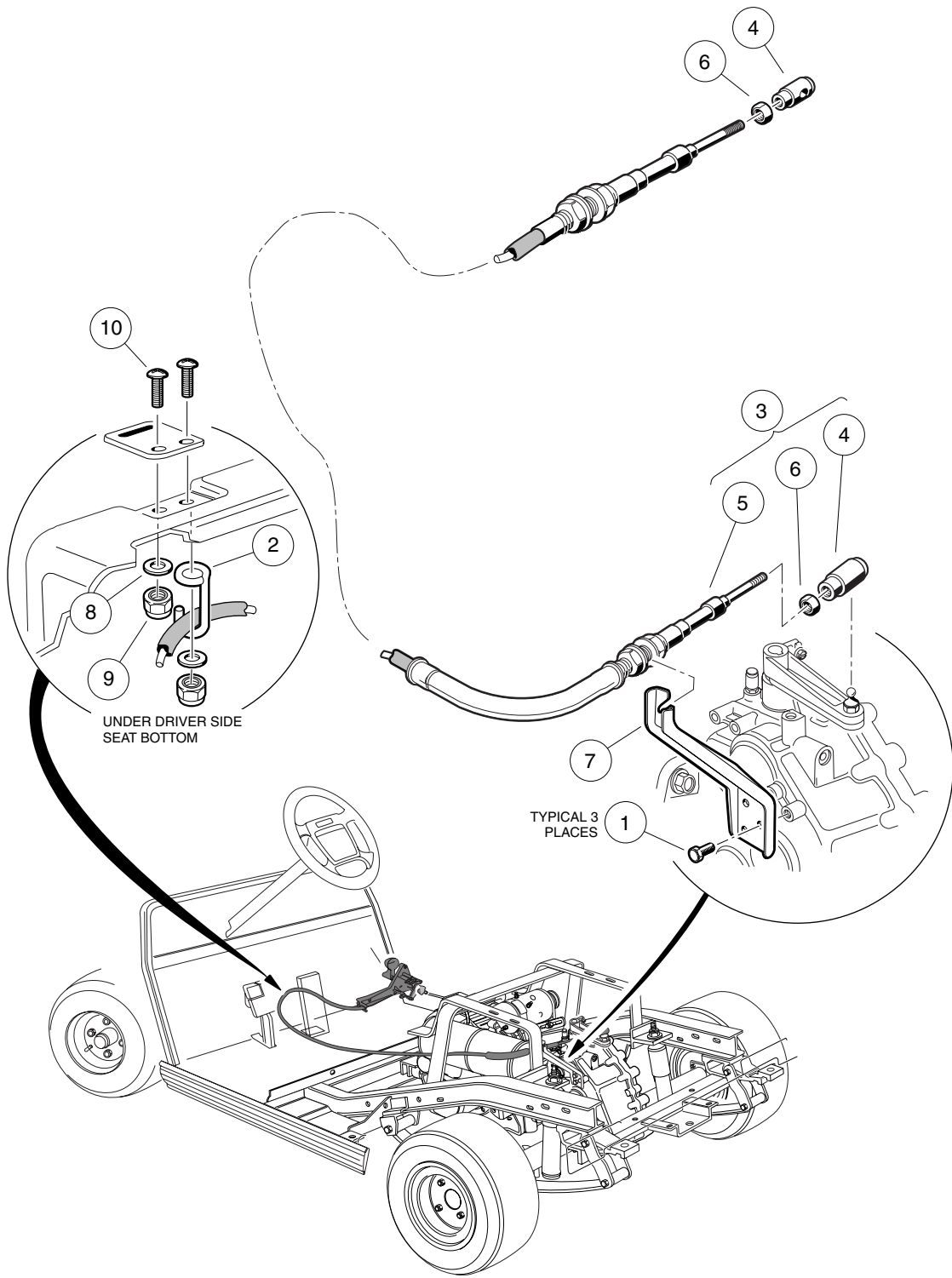


000236-001

# FORWARD/REVERSE SHIFTER ASSEMBLY – GASOLINE VEHICLES

ITEM	PART NO.	DESCRIPTION	QTY
		1 2 3 4	
1	603 00 01-62	Handle, FNR .....	1
2	603 00 02-39	Screw, #8-32 X 0.63 Machine .....	1
3	603 00 02-82	Washer, Wave .....	1
4	603 00 03-78	Assembly, FNR Shifter (includes items 5 through 21) .....	1
5	603 00 01-17	Stud, 1/4-28 X 0.560 Ball .....	1
6	603 00 01-40	Washer, #4 Flat .....	4
7	603 00 01-46	Screw, #4-40 Machine .....	2
8	603 00 01-76	FNR Bell Crank Weldment .....	1
9	603 00 01-77	Ring, 0.338" Internal Retaining .....	1
10	603 00 01-78	Spring, FNR Cam .....	1
11	603 00 01-79	Pin, 1/8 X 1/2 Roll .....	1
12	603 00 02-09	Neutral Lockout Cam Kit (includes item 13) .....	1
13	603 00 02-04	Washer, 0.38" ID Delrin Flat .....	1
14	603 00 02-15	Bushing, Secondary Weight, Split .....	2
15	603 00 02-34	Washer, #4 Nylon Flat .....	2
16	603 00 02-35	Switch, Limit .....	1
17	603 00 02-89	FNR Shifter Base .....	1
18	603 00 06-21	Assembly, Switch, Limit .....	1
19	603 00 00-86	Nut, #4-40 Hex Machine .....	4
20	603 00 00-87	Lockwasher, #4 Helical Split .....	2
21	603 00 00-94	Locknut, 1/4-28 Nylon Insert .....	1
22	603 00 00-89	Locknut, 1/4-20 Nylon Insert .....	4
23	603 00 00-90	Screw, 1/4-20 X 0.75 Truss-Head Machine .....	4

**12**  
**G**

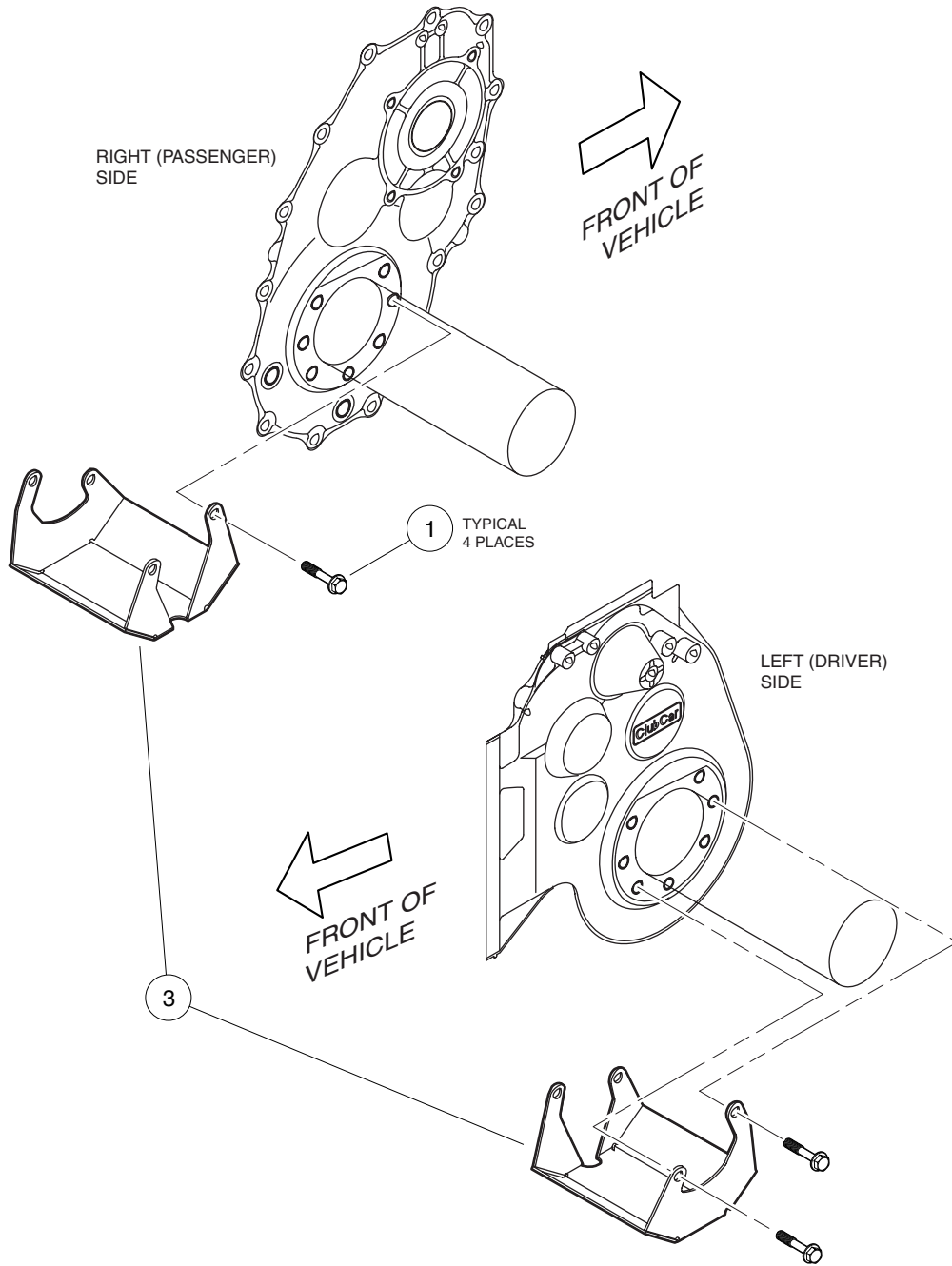


000248-001

# FORWARD/REVERSE SHIFTER CABLE – GASOLINE VEHICLES

ITEM	PART NO.	DESCRIPTION	QTY
		1 2 3 4	
1	603 00 01-34	Screw, 1/4 X 0.625 Hex-Head .....	3
2	603 00 31-95	Cable Retainer .....	1
3	603 00 22-43	FNR Shifter Cable (includes items 4 through 6) .....	1
4	603 00 01-37	Joint, #10-32 Ball .....	2
5	N/A	Cable, Forward/Reverse Shifter .....	1
6	603 00 00-84	Nut, #10-32 Hex .....	2
7	603 00 32-33	Bracket, Shifter .....	1
8	603 00 00-54	Washer, 1/4 Type A Narrow Flat .....	4
9	603 00 00-89	Locknut, 1/4-20 Nylon Insert .....	4
10	603 00 00-91	Screw, 1/4-20 X 1.0 Truss-Head Machine .....	4

**12**  
**G**



000366-001

# DIFFERENTIAL GUARD

ITEM	PART NO.	DESCRIPTION	QTY
		1 2 3 4	
1	603 00 05-96	Screw, M8-1.25 X 40mm Hex-Head .....	4
2	603 00 36-36	Diff Guard Unitized Kit (Includes Instructions) (includes item 3) .....	1
3	N/A	Guard, Unitized Differential .....	1

12

G

12

G



# MAINTENANCE AND SERVICE TOOLS

---

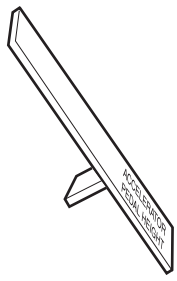
13

G

E

D

**13**  
**G**  
**E**  
**D**



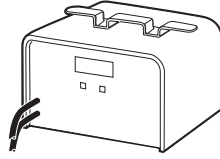
1



2



3



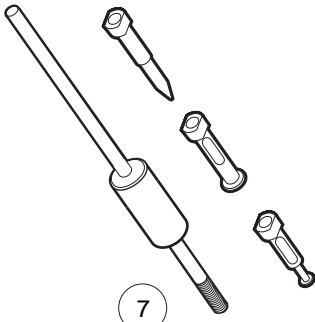
4



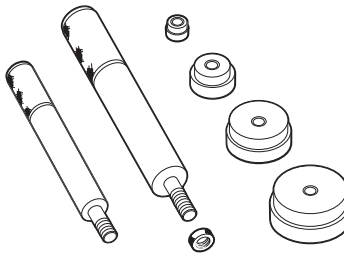
5



6



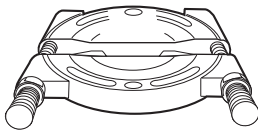
7



8



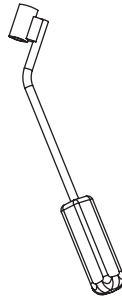
9



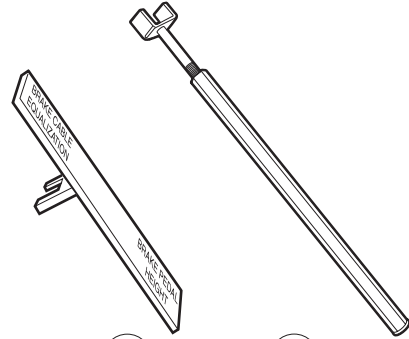
10



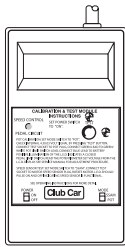
11



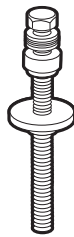
12



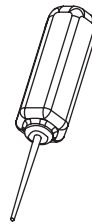
14 15  
13



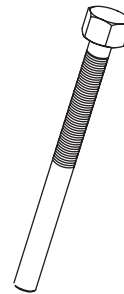
16



17



18



19

# MAINTENANCE AND SERVICE TOOLS

ITEM	PART NO.	DESCRIPTION	QTY DIESEL	QTY GAS	QTY ELEC
		<p style="text-align: center;">1 2 3 4</p> <p>The following tool list includes all tools available from Husqvarna for maintenance and service procedures for gasoline, electric, and/or diesel vehicles, both past and present models. Be sure to carefully examine the tool list for applicability to your vehicle before ordering.</p>			
1	603 00 18-32	Accelerator Pedal Adjustment Tool .....		1	1
2	603 00 18-33	Adhesive, Guide Ring, 3-Gram Tube .....			1
3	603 00 18-34	Arbor .....		1	
4	603 00 18-35	Battery Discharge Machine, 36/48 Volt .....			1
5	603 00 00-03	Battery Terminal Protector Spray .....	1	1	1
6	603 00 18-37	Battery Thermometer .....	1	1	1
7	603 00 18-38	Bearing and Oil Seal Remover Assembly .....	1	1	1
8	603 00 18-39	Bearing Driver Set .....	1	1	1
9	603 00 18-40	Bearing Puller .....	1	1	1
10	603 00 18-41	Bearing Puller Wedge Attachment .....	1	1	1
11	603 00 18-42	Brake Adjustment Tool (used only on vehicles with manually adjusted mechanical brakes) .....		1	1
12	603 00 18-43	Brake Cable Release Tool .....	1	1	1
13	603 00 18-44	Brake Pedal Adjustment Tool Kit (includes items 14 and 15) .....			1
14	****	Brake Pedal Adjustment Tool .....			1
15	****	Brake Pedal Tension Tool .....			1
16	603 00 18-46	Calibration Test Module .....			1
17	603 00 18-47	Cam Installation Tool .....		1	
18	603 00 18-48	Charger Bezel Tool .....			1
19	603 00 18-49	Clutch Removal Tool (for 4x4 vehicles) .....	1	1	
		<p>Please refer to the maintenance and service manual for proper tool application.</p> <p>**** Special order item available upon request</p>			

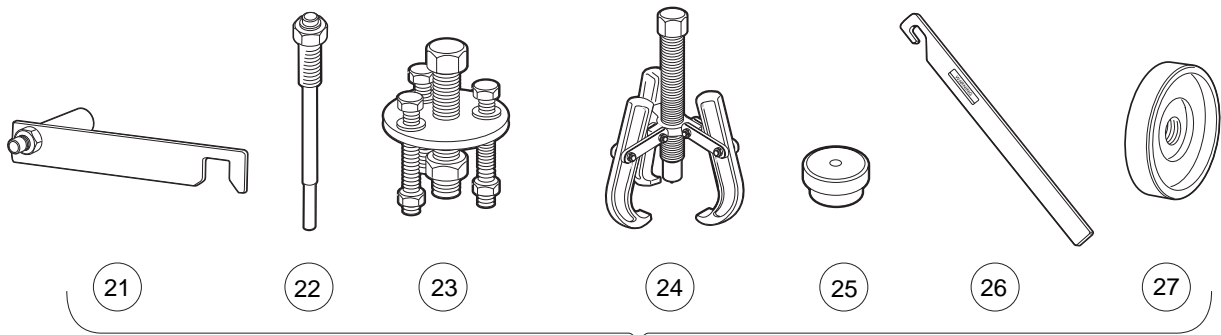
13

G

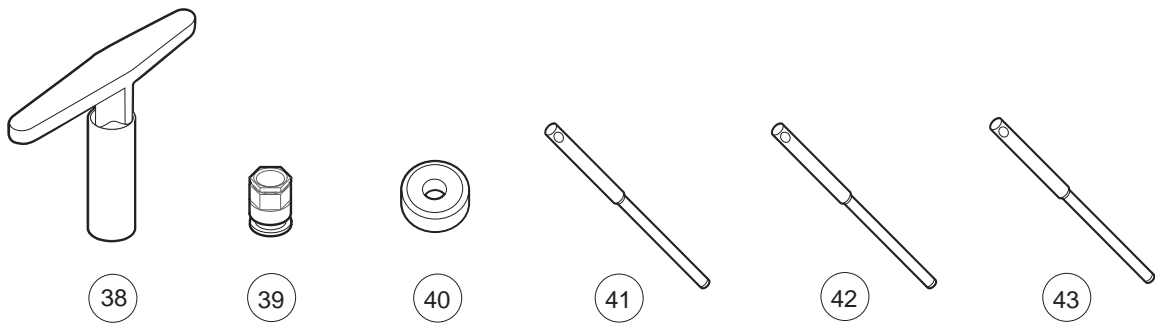
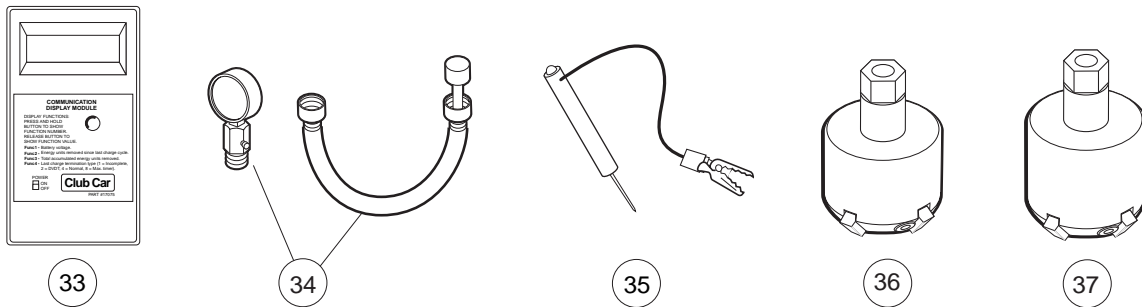
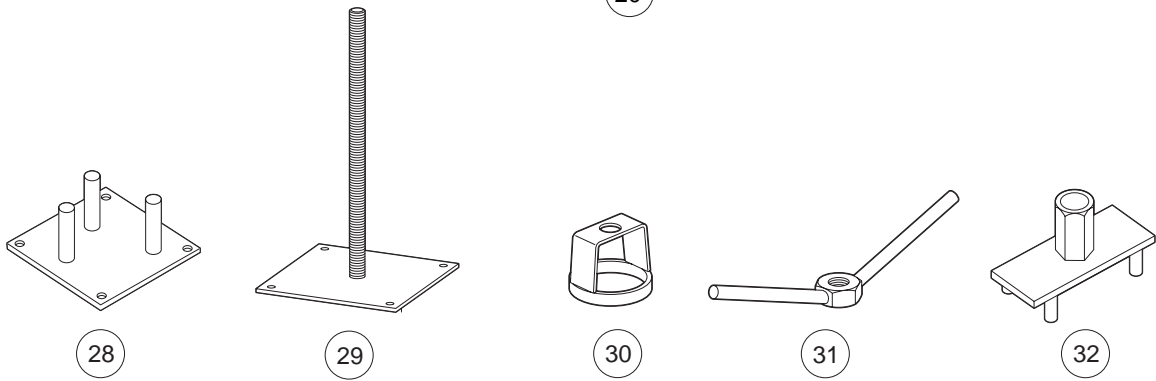
E

D

**13**  
**G**  
**E**  
**D**



20



# MAINTENANCE AND SERVICE TOOLS, CONTINUED

ITEM	PART NO.	DESCRIPTION	QTY DIESEL	QTY GAS	QTY ELEC
		1 2 3 4			
20	603 00 18-50	Clutch Tool Kit (includes items 21 - 27) .....		1	
21	603 00 18-51	Clutch Alignment Tool (for pre-unitized transaxle vehicles built prior to 1997 model year) .....		1	
22	603 00 18-52	Drive Clutch Puller (for Kawasaki engines only) .....		1	
23	603 00 18-53	Drive Clutch Hub Puller (for Kawasaki engines only) .....		1	
24	603 00 18-54	Driven Clutch Cam Puller (for Kawasaki engines only) .....		1	
25	603 00 18-55	Driven Clutch Puller Plug (for Kawasaki engines only) .....		1	
26	603 00 18-56	Drive Clutch Holder Tool Assembly (for Kawasaki engines only) .....		1	
27	603 00 18-57	Press Weldment (for Kawasaki engines only) .....		1	
28	603 00 18-58	Drive ClutchFixed Sheave Tool (for 4x4 vehicles) .....			1
29	603 00 18-60	Driven Clutch Spring Compression Base (for use with items 30 and 31) (for 4x4 vehicles) .....	1	1	
30	603 00 18-61	Driven Clutch Spring Compression Collar (for use with items 29 and 31) (for 4x4 vehicles) .....	1	1	
31	603 00 18-62	Driven Clutch Spring Compression Nut (for use with items 29 and 30) (for 4x4 vehicles) .....	1	1	
32	603 00 18-59	Drive Clutch Spider Removal Tool (for 4x4 vehicles) .....	1	1	
33	603 00 18-63	Communication Display Module .....			1
34	603 00 18-64	Compression Gauge and Adapter .....		1	
35	603 00 18-67	Continuity Tester .....		1	1
36	603 00 29-35	Cutter, Valve Seat, #122 .....		1	
37	603 00 29-36	Cutter, Valve Seat #115 .....		1	
38	603 00 29-38	Wrench, T, #505 .....		1	
39	603 00 29-38	Adapter, T-Wrench.....		1	
40	603 00 18-75	Cutter, Valve Seat, 60 Degree (requires item 51) (for Honda GX620 Gasoline Engines) .....		1	
41	603 00 29-39	Pilot, 6.6 MM.....		1	
42	603 00 29-40	Pilot, 6.62 MM.....		1	
43	603 00 29-41	Pilot, 6.65 MM.....		1	
		Please refer to the maintenance and service manual for proper tool application.			

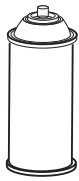
13

G

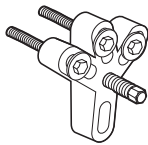
E

D

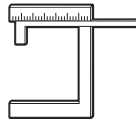
**13**  
**G**  
**E**  
**D**



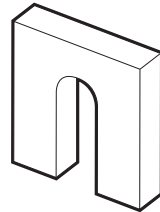
44



45



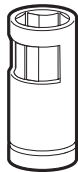
46



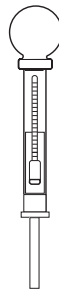
47



48



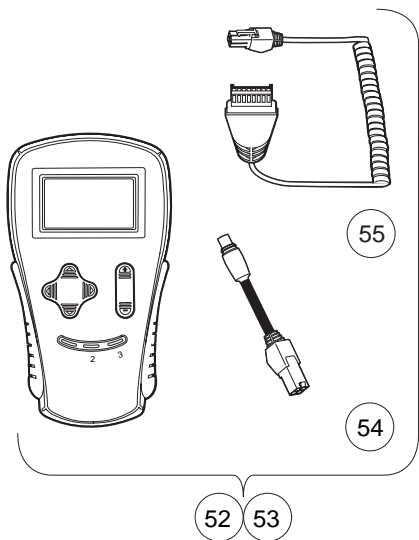
49



50



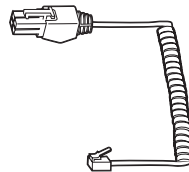
51



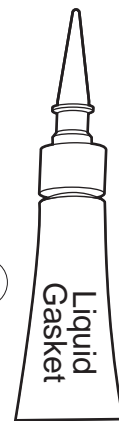
52 53

55

54



56



57



58



59 60



61

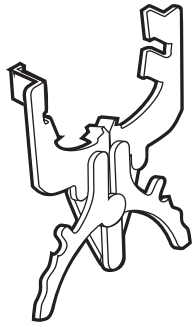
# MAINTENANCE AND SERVICE TOOLS, CONTINUED

ITEM	PART NO.	DESCRIPTION	QTY	QTY	QTY	13
			DIESEL	GAS	ELEC	
		1 2 3 4				G
44	603 00 00-01	Dry Moly Lubricant .....	1	1	1	
45	603 00 18-81	Flywheel Puller Kit (for Kawasaki Engines) .....		1		D
46	603 00 18-83	Gauge, Carburetor Float Level (for Honda GX620 Gasoline Engines) .....		1		
47	603 00 18-86	Gear Yoke .....	1	1	1	
48	603 00 18-87	Governor Shaft Installation Tool (for Kawasaki Engine Vehicles) .....		1		
49	603 00 18-89	Hydraulic Brake Adjuster (for HUV 4213) .....			1	
50	603 00 18-90	Hydrometer .....	1	1	1	
51	603 00 18-92	Internal Retaining Ring Pliers .....	1	1	1	
52	603 00 26-87	IQ Display Module (IQDM) Kit (for electric vehicles only) .....			1	
		(includes items 54 and 55)				
53	603 00 33-69	IQ Display Module (IQDM-P) Kit (for electric vehicles only) .....			1	
		(includes items 54 and 55)				
54	603 00 18-94	Adaptor, Cable .....			1	
55	603 00 18-95	IQDM Series 2 Cable .....			1	
56	603 00 18-96	IQDM Series 1 Cable (replacement) .....			1	
57	603 00 06-07	Liquid Gasket (transaxle case) .....	1	1	1	
58	603 00 29-92	Moly-Teflon Lubricant (4-oz. (113-gram) tube) .....			1	
59	603 00 33-70	Paint, Touch-Up – Beige .....		1	1	
59	603 00 33-71	Paint, Touch-Up – Black .....		1	1	
59	603 00 33-72	Paint, Touch-Up – Burgundy .....		1	1	
59	603 00 33-73	Paint, Touch-Up – Classic Blue (Navy) .....		1	1	
59	603 00 33-74	Paint, Touch-Up – Dark Gray .....	1	1	1	
59	603 00 33-75	Paint, Touch-Up – Dark Green .....	1	1	1	
59	603 00 33-76	Paint, Touch-Up – Gray .....	1	1	1	
59	603 00 33-77	Paint, Touch-Up – Red .....	1	1	1	
59	603 00 33-78	Paint, Touch-Up – Royal Blue (Pacific Blue) .....		1	1	
59	603 00 33-79	Paint, Touch-Up – White .....	1	1	1	
60	603 00 33-80	Paint, Precedent Underbody – Gray.....		1	1	
61	603 00 33-81	Paint Pen, Touch-Up, Precedent Underbody – Black.....		1	1	
		Please refer to the maintenance and service manual for proper tool application.				

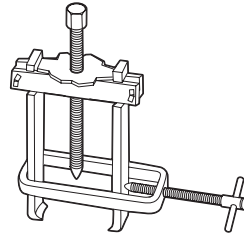
**13**  
**G**  
**E**  
**D**



62



63



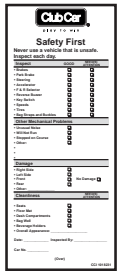
64



65



66



67



68



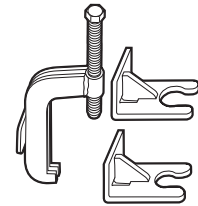
69



70



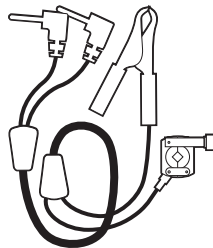
71



72



73



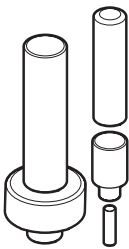
74



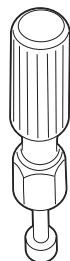
75



76



77



83



84



85



86



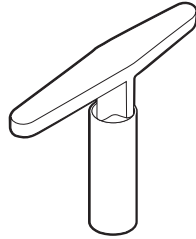
# MAINTENANCE AND SERVICE TOOLS, CONTINUED

ITEM	PART NO.	DESCRIPTION	QTY	QTY	QTY	13
			DIESEL	GAS	ELEC	
		1 2 3 4				
62	603 00 19-10	Piston Ring Compressor Kit (FE290, FE350 and FE400 engines) .....		1		
63	603 00 19-11	Piston Ring Pliers (for Kawasaki Engines) .....		1		
64	603 00 19-13	Puller, Special Use (for Kubota D722 Diesel Engines) .....	1			E
65	603 00 19-14	Retaining Ring Pliers, 45° External .....	1	1	1	
66	603 00 19-15	Retaining Ring Pliers, 90° Internal .....	1	1	1	D
67	603 00 19-16	Safety First Card (50 per pack) .....	1	1	1	
68	603 00 19-17	Seal Puller .....	1	1	1	
69	603 00 19-18	Spanner Wrench (for coil over shock front suspension vehicles only) .....	1	1		
70	603 00 19-19	Steering Column Bearing Press Tool .....		1	1	
71	603 00 19-20	Steering Column Retaining Ring Tool .....		1	1	
72	603 00 19-21	Steering Wheel Puller Tool .....	1	1	1	
73	603 00 20-07	Tachometer (includes gasoline engine pick up lead only) .....	1	1		
74	603 00 19-23	Tachometer Diesel Probe (for use with item 73) .....	1			
75	603 00 19-24	Transaxle Axle Seal Tool .....		1		
76	603 00 19-25	Transaxle Pinion Seal Tool .....		1		
77	603 00 19-26	Transmission Tool Kit .....		1		
78	603 00 00-05	Tune-Up Kit, All OHV (for Kawasaki Engines) (includes air filter, spark plug, oil filter, fuel filters) (not shown) .....		1		
79	603 00 00-35	Tune-Up Kit, Gx620 (for Honda Engines) (includes air filter, spark plug, oil filter, fuel filters) (not shown) .....		1		
80	603 00 00-40	Tune-Up Kit, D722 (for Kubota Engines) (includes air filter, oil filter, fuel filters, water separator filter) (not shown) .....	1			
81	603 00 36-13	Tune-Up Kit, Precedent (for FE290/350 Engines) (includes air filter, spark plug, oil filter, fuel filters) (not shown) .....			1	
82	603 00 19-28	Valve Clearance Adjuster Screw Holder (for FE290 engines only) .....		1		
83	603 00 19-29	Valve Guide Driver (for Honda GX620 Gasoline Engines) .....		1		
84	603 00 19-30	Valve Guide Reamer (FE290, FE350, and FE400 only).....		1		
85	603 00 19-31	Valve Guide Reamer, 6.6 mm (for Honda GX620 Gasoline Engines) .....		1		

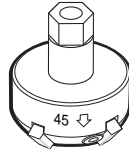
13  
G  
E  
D



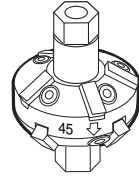
87



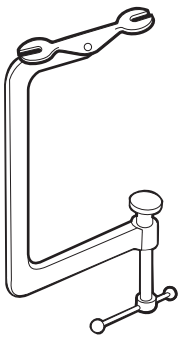
88



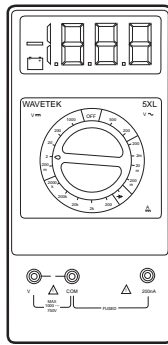
89



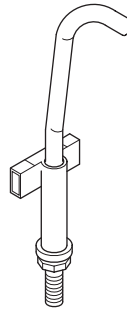
90



91



92



93

# MAINTENANCE AND SERVICE TOOLS, CONTINUED

ITEM	PART NO.	DESCRIPTION	QTY DIESEL	QTY GAS	QTY ELEC
		1 2 3 4			
86	603 00 19-27	Valve Seat Cutter Guide .....		1	
87	603 00 18-78	Valve Seat Cutter T-Wrench .....		1	
88	603 00 18-36	Valve Seat Cutter, 45° (32 mm diameter) (for FE290 engines only) .....		1	
89	603 00 01-00	Valve Seat Cutter, 45°/30° (35 mm diameter) .....		1	
90	603 00 00-43	Valve Spring Compressor .....		1	
91	603 00 00-38	Volt Ohm Meter .....	1	1	1
92	603 00 27-87	Tool, Tensioning, Starter Generator (For gasoline vehicles) .....		1	

13

G

E

D

