

FRONT BODY

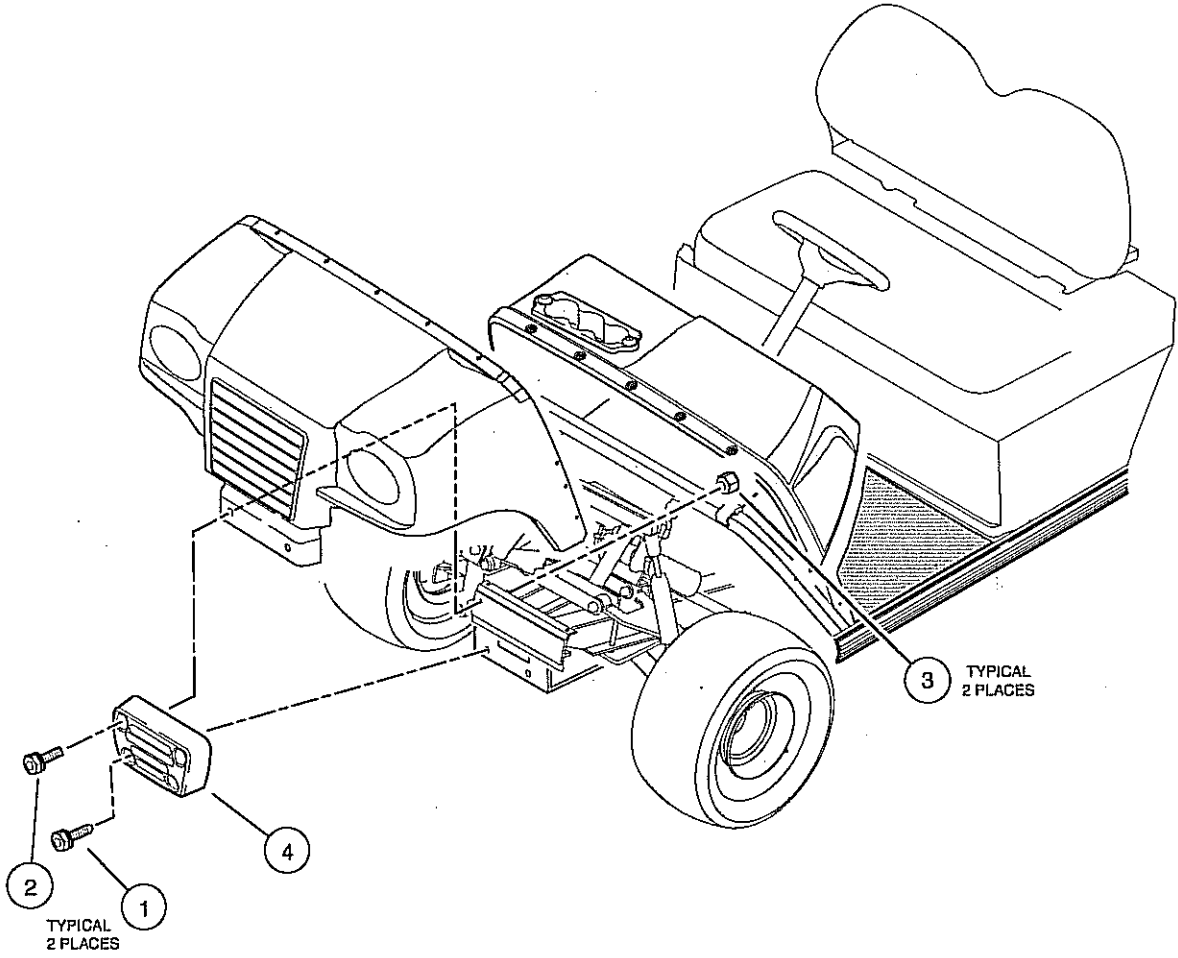
ITEM	PART NO.	DESCRIPTION	QTY
		1 2 3 4	
1	603 00 30-81	Floormat	1
2	603 00 32-40	Screw, 1/4-20 X 0.75 Hex-Head Cap	2
3	603 00 35-90	Screw, Tuflok Panel, 1/4	2
4	603 00 06-96	Screw, 1/4-20 X .75 Torx Pn Hd	5
5	603 00 07-29	Cap, 1/4" Plastic Screw Head	5
6	603 00 07-37	Washer, 1/4 ID Scalloped Plastic	5
7	603 00 32-72	Cowl, Orange	1
8	603 00 32-73	Dash	1
9	603 00 32-76	Support, Upper Cowl	1
10	603 00 32-79	Object Holder	1
11	603 00 32-89	Cowl Cover, Driver-Side	1
12	603 00 32-90	Cowl Cover, Passenger-Side	1
13	603 00 32-96	Rivet	3
14	603 00 23-68	Clip, Dash	3
15	531 30 71-52	Push Pin, Black	2
16	603 00 00-54	Washer, 1/4 Type A Narrow Flat	2
17	603 00 00-89	Locknut, 1/4-20 Nylon Insert	2

1

E

1

E



000357-001

BUMPER – HUV4210-E

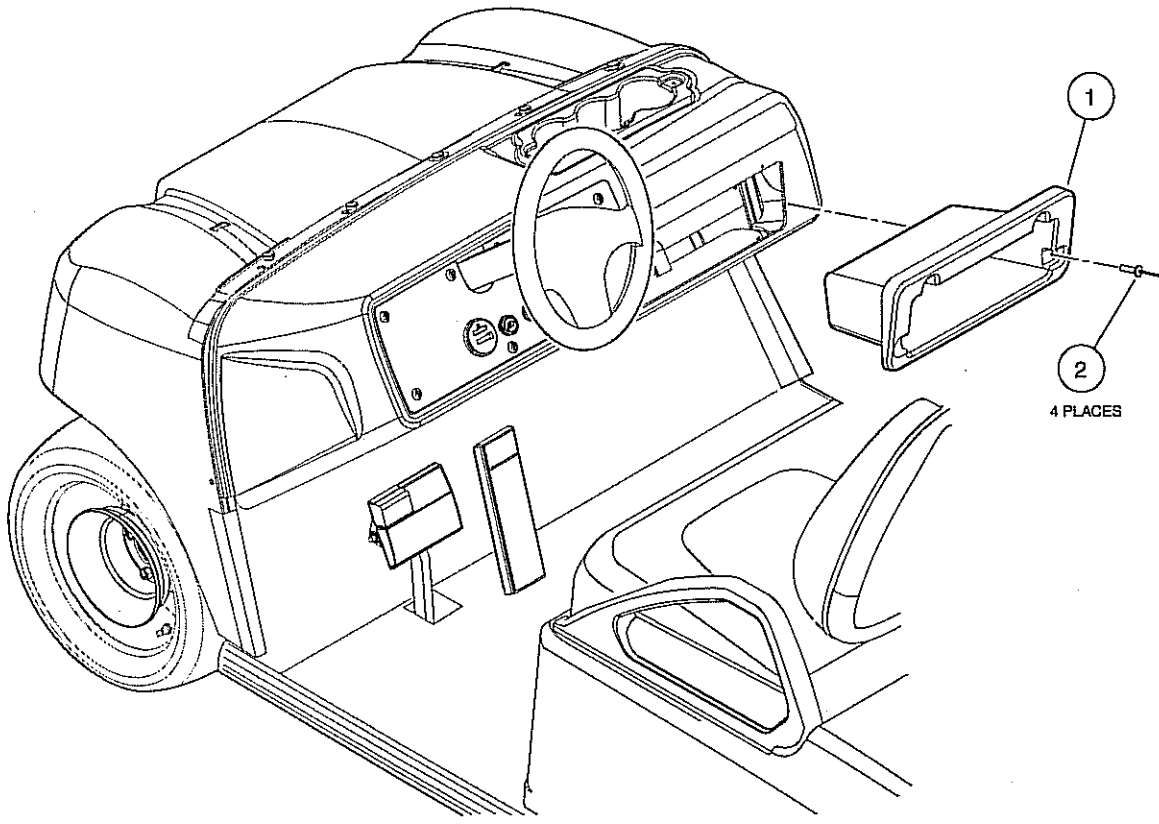
ITEM	PART NO.	DESCRIPTION	QTY
		1 2 3 4	
1	603 00 08-70	Screw, M8 X 1.25 X 30 Tri, Blk	2
2	603 00 08-76	Bolt, Flange Head, M8-1.25 X 40	2
3	603 00 13-08	Lock Nut, Flg M8 X 1.25 Nylon	2
4	603 00 32-98	Bumper, Cast	1

1

E

1

E



000358-001

DASH BOX – HUV4210-E

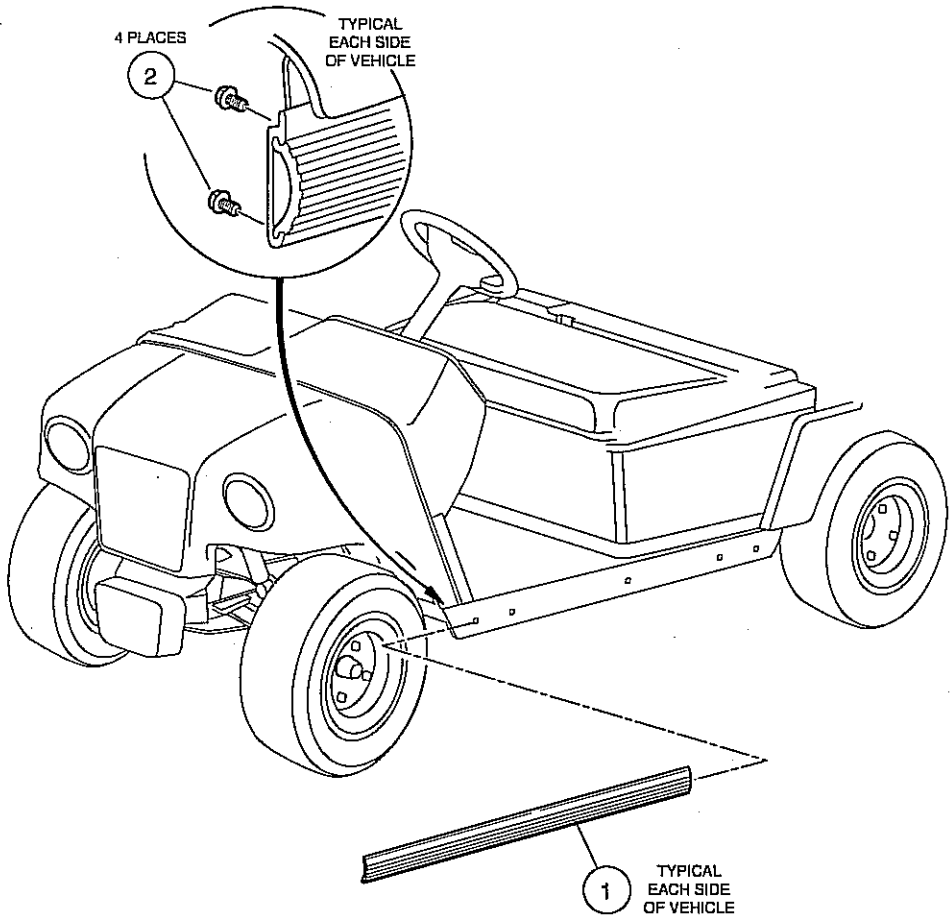
ITEM	PART NO.	DESCRIPTION	QTY
		1 2 3 4	
1	603 00 32-85	Box, Dash	1
2	603 00 32-96	Rivet	4

1

E

1

E



000361-001

SIDE TRIM – HUV4210-E

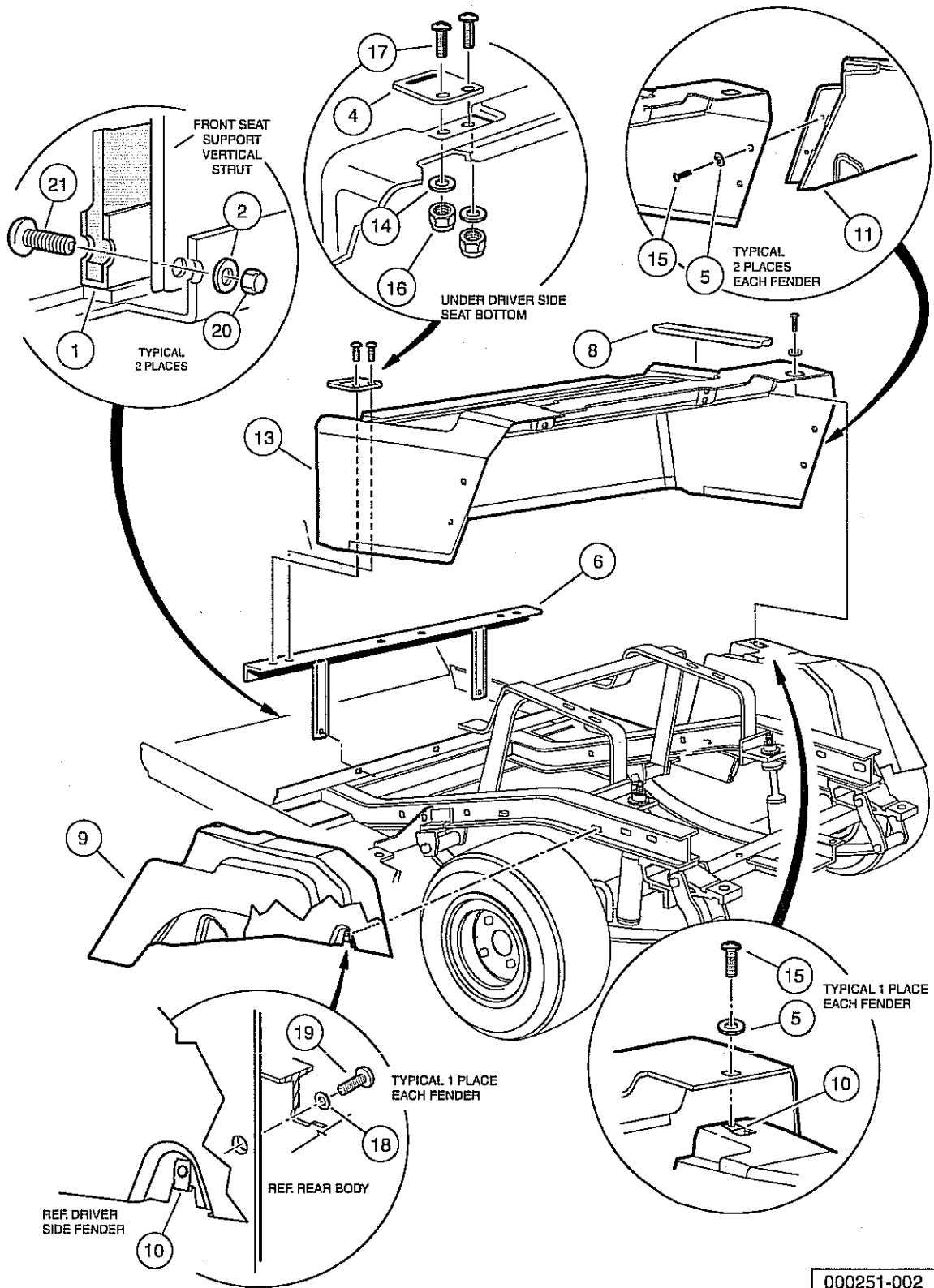
ITEM	PART NO.	DESCRIPTION	QTY
1	603 00 30-67	Bumper, Side Trim	2
2	603 00 32-57	Screw, #8-18 x 0.375, Hex-Head Washer	8

1

E

1

E



REAR BODY AND FENDER – ELECTRIC VEHICLE

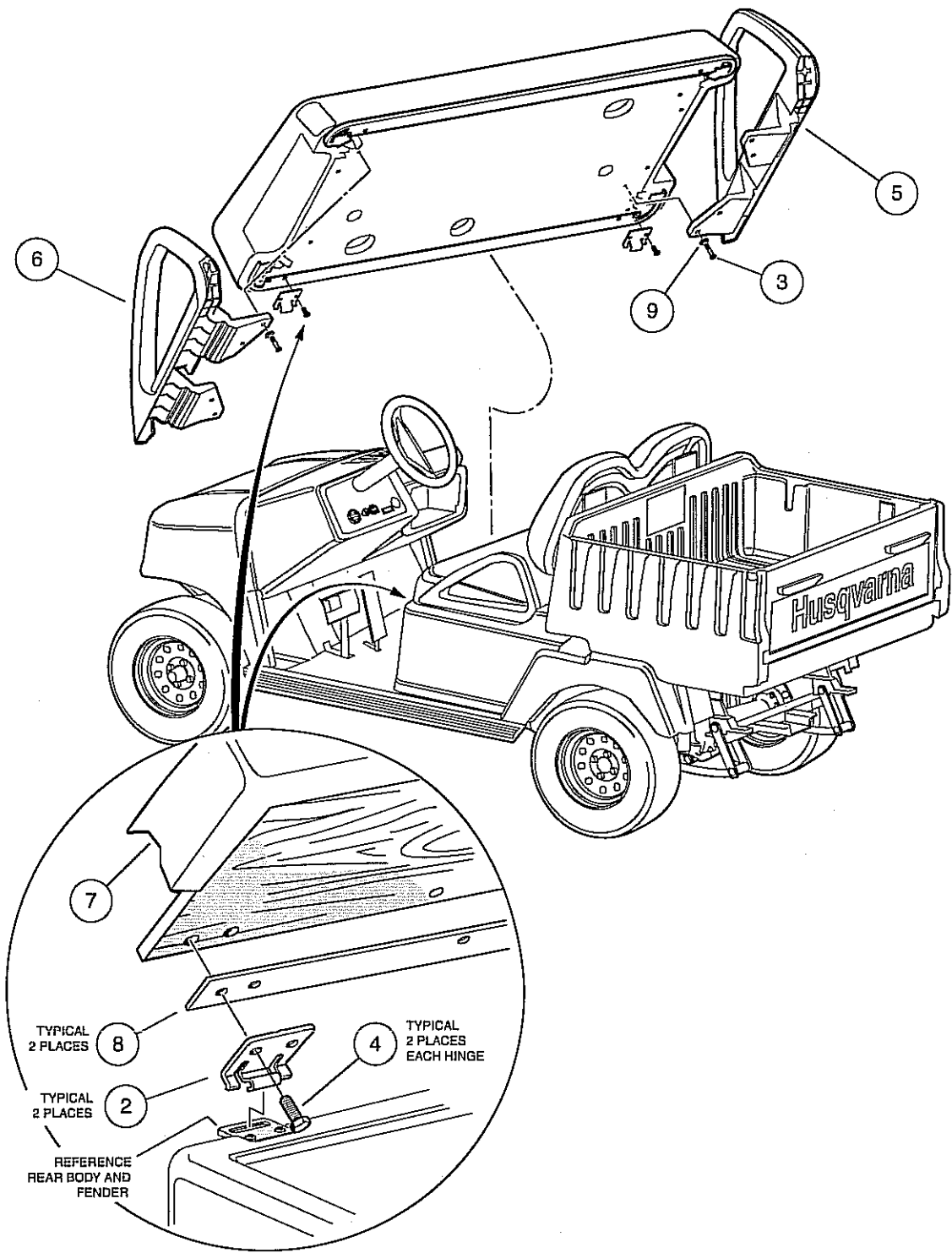
ITEM	PART NO.	DESCRIPTION	QTY
		1 2 3 4	
1	603 00 36-29	Body Kick Plate	1
2	603 00 02-22	Washer, 1/4" Type B Flat	2
3	N/A	Body Asm, Elect, Org (includes items 4 through 17)	1
4	603 00 01-39	Body, Hinge Plate	2
5	603 00 02-22	Washer, 1/4" Type B Flat	6
6	603 00 31-56	Body Support Front	1
7	603 00 31-95	Cable Retainer	1
8	603 00 32-52	Wear Pad	2
9	603 00 32-75	Fender, Driver Side (includes item 10)	1
10	603 00 31-54	U-Nut, 1/4-20	4
11	603 00 22-92	Fender, Passenger Side (includes item 12)	1
12	603 00 31-54	U-Nut, 1/4-20	4
13	603 00 29-49	Body, Rear, Elect, Cut, Org	1
14	603 00 00-54	Washer, 1/4 Type A Narrow Flat	4
15	603 00 00-83	Screw, 1/4-20 X 0.75 Hex-Head Cap	6
16	603 00 00-89	Locknut, 1/4-20 Nylon Insert	4
17	603 00 00-91	Screw, 1/4-20 X 1.0 Truss-Head Machine	4
18	603 00 00-54	Washer, 1/4 Type A Narrow Flat	2
19	603 00 00-83	Screw, 1/4-20 X 0.75 Hex-Head Cap	2
20	603 00 00-89	Locknut, 1/4-20 Nylon Insert	2
21	603 00 00-91	Screw, 1/4-20 X 1.0 Truss-Head Machine	2
Note: Item 7 is not required for electric vehicles and is not illustrated.			

1

E

1

E



000364-001

SEAT BOTTOM AND ARMREST

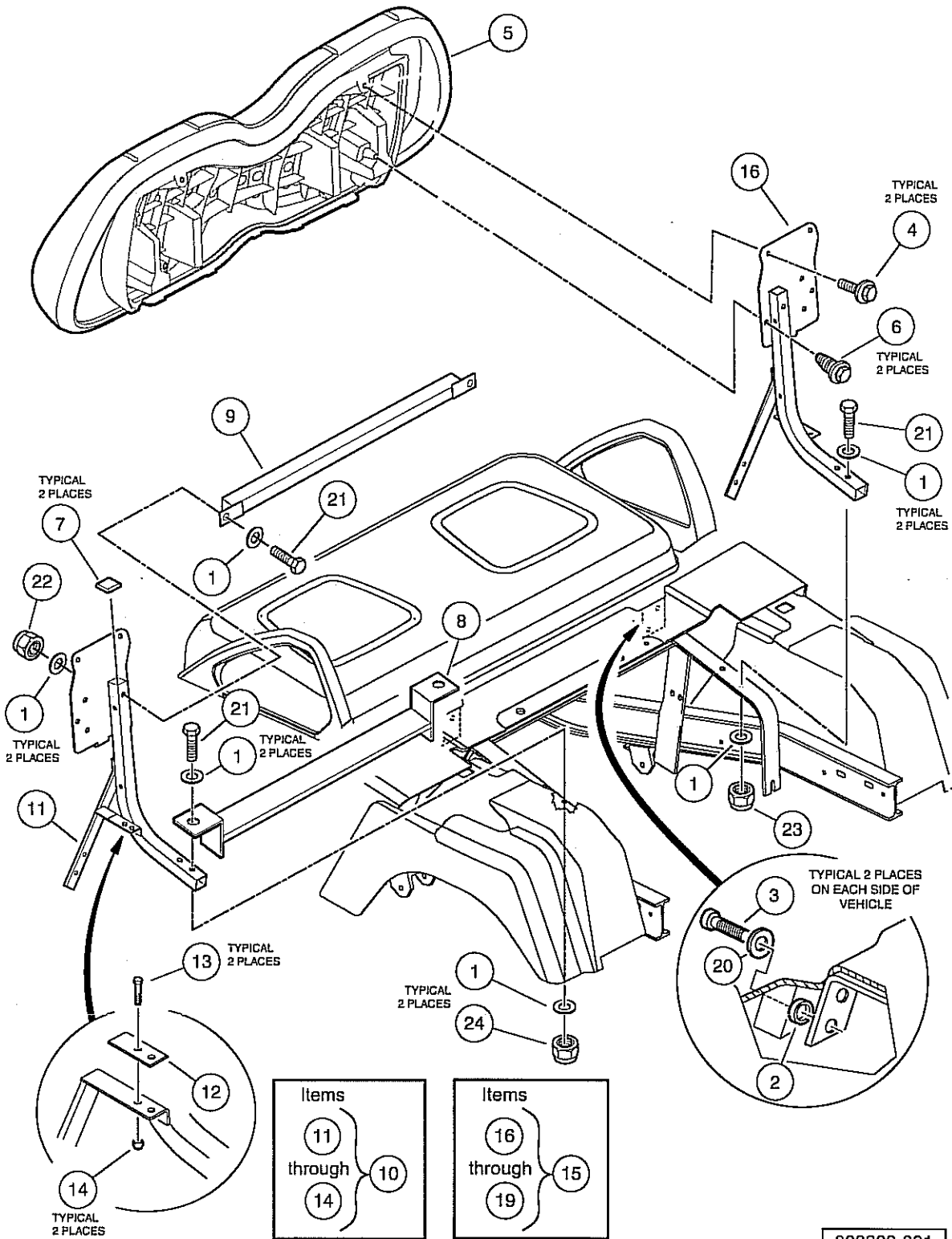
ITEM	PART NO.	DESCRIPTION	QTY
		1 2 3 4	
1	603 00 36-37	Seat Bottom Assembly, Gray (includes items 2 through 9)	1
2	603 00 01-25	Hinge Plate	2
3	603 00 31-53	Screw, 1/4-20 X 1.50 Hex-Head Cap	8
4	603 00 32-40	Screw, 1/4-20 X 0.75 Hex-Head Cap	4
5	603 00 32-47	Armrest, Passenger (right)	1
6	603 00 32-48	Armrest, Driver (left)	1
7	603 00 22-59	Vinyl Cover, Seat Bottom, Gray	1
8	603 00 32-50	Gasket, Seat	2
9	603 00 00-54	Washer, 1/4 Type A Narrow Flat	8

1

E

1

E



000302-001

SEAT BACK

ITEM	PART NO.	DESCRIPTION	QTY
		1 2 3 4	
1	603 00 30-48	Washer, 1/4 Flat	12
2	603 00 04-34	Body Spacer	4
3	603 00 32-21	Screw, 5/16-18 X 1.25 Thrd Frm	4
4	603 00 32-54	Screw - M6 X 1.0 X 30 Sems	2
5	603 00 36-43	Backrest Assembly, Gray	1
6	603 00 32-68	Screw, M6 Hex	2
7	603 00 32-69	Plug, Square - 25.4 mm	2
8	603 00 23-02	Weldment, Bed Support	1
9	603 00 23-16	Seat Support, Cross Brace	1
10	603 00 23-04	Seat Support W/striker, Drv (includes items 11 through 14)	1
11	603 00 36-45	Seat Support, Driver-Side	1
12	603 00 23-66	Striker Plate	1
13	603 00 00-83	Screw, 1/4-20 X 0.75 Hex-Head Cap	2
14	603 00 00-89	Locknut, 1/4-20 Nylon Insert	2
15	603 00 23-05	Support, Seat, Right (passenger) (includes items 16 through 19)	1
16	603 00 36-46	Seat Support, Passenger-Side	1
17	603 00 23-66	Striker Plate	1
18	603 00 00-83	Screw, 1/4-20 X 0.75 Hex-Head Cap	2
19	603 00 00-89	Locknut, 1/4-20 Nylon Insert	2
20	603 00 00-65	Washer, 5/16 Type A Flat	4
21	603 00 00-74	Screw, 1/4-20 X 2.00 Hex-Head Cap	6
22	603 00 00-78	Locknut, 5/16-18 Nylon Insert	2
23	603 00 00-89	Locknut, 1/4-20 Nylon Insert	6
24	603 00 23-52	Screw, 5/16-18 X 1.75 Hex-Head Cap	2

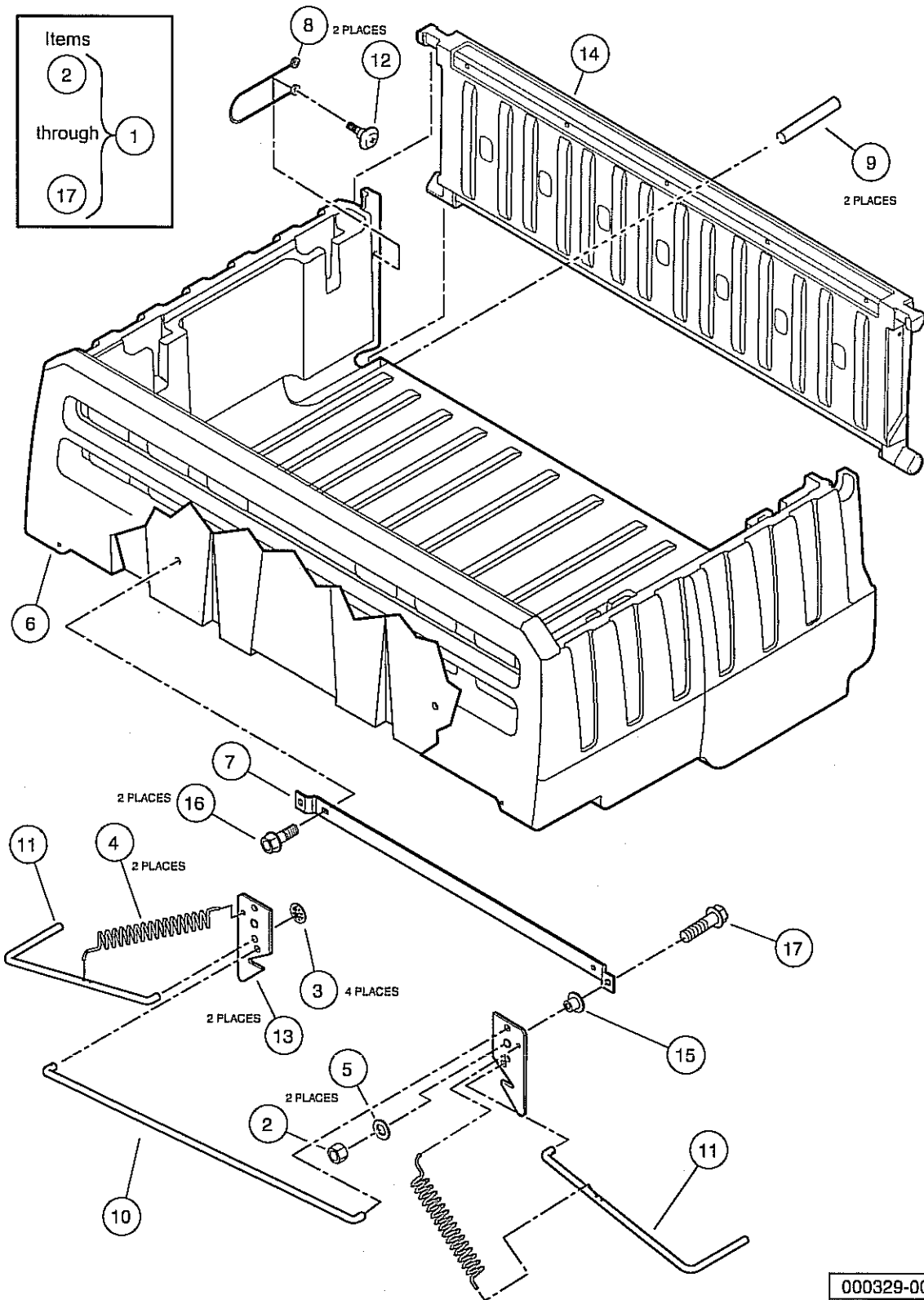
1

E

1

E

Items
2
through
17



000329-001

CARGO BED

ITEM	PART NO.	DESCRIPTION	QTY
		1 2 3 4	
1	603 00 36-44	Assembly, Bed (includes items 2 through 17)	1
2	603 00 01-01	Locknut, 3/8-16 Dimpled	2
3	603 00 30-66	Pushnut, 3/8	4
4	603 00 02-54	Extension, Spring Latch	2
5	603 00 21-60	Washer, 3/8 Flat Type A	2
6	603 00 22-94	Bed, Cargo	1
7	603 00 22-95	Support, Latch Link	1
8	603 00 22-96	Cable	2
9	603 00 22-97	Pin	2
10	603 00 22-98	Rod, Long Link	1
11	603 00 22-99	Rod, Bed Lift, Short Bent	2
12	603 00 23-00	Bolt	2
13	603 00 23-01	Catch, Tilt Bed	2
14	603 00 23-19	Tailgate	1
15	603 00 23-35	Bearing, Bronze, 1/2x9/32	2
16	603 00 00-52	Screw, 1/4-20 X 1.0 Hex-Head Cap	2
17	603 00 00-53	Screw, 3/8-16 X 1.00 Hex-Head Cap	1

1

E

BED HINGE

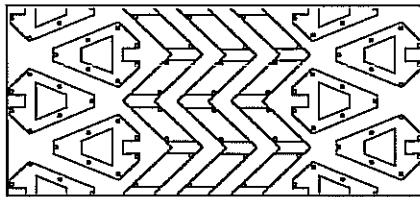
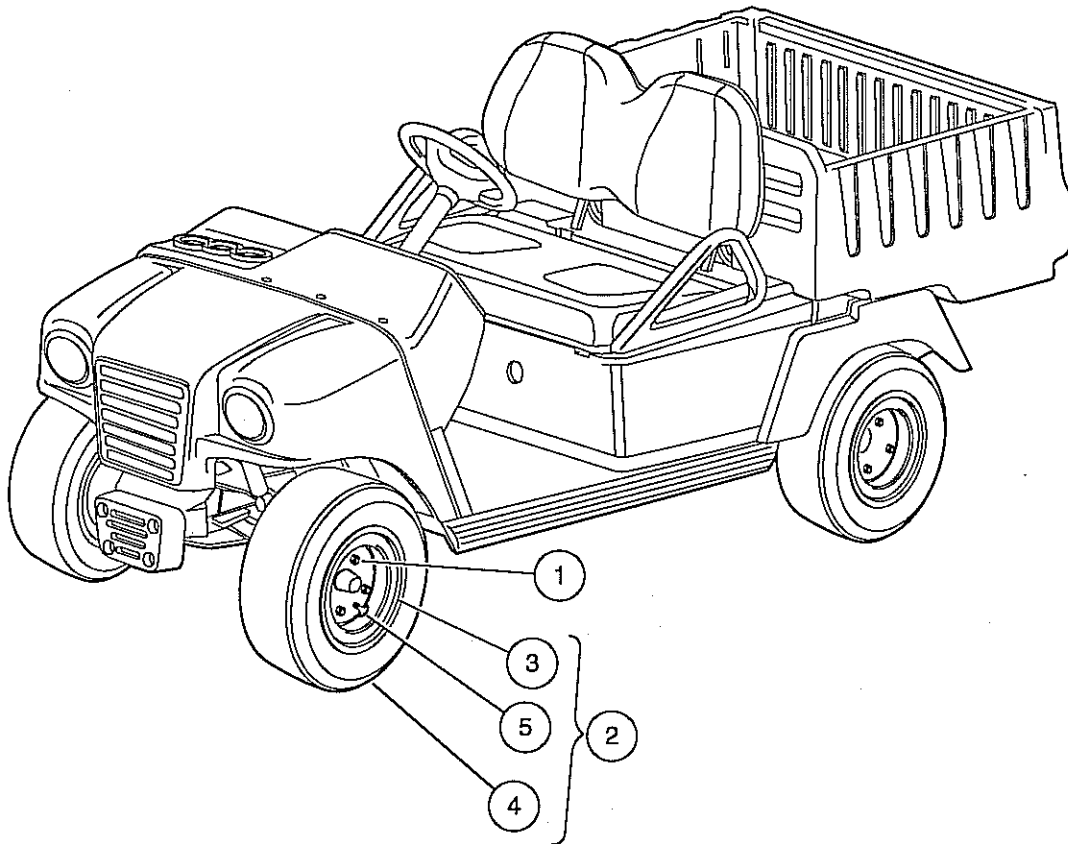
ITEM	PART NO.	DESCRIPTION	QTY
		1 2 3 4	
1	603 00 01-13	Bumper, Rubber	2
2	603 00 01-36	Bushing, Steel	2
3	603 00 02-63	Bushing, Urethane	4
4	603 00 05-21	Locknut, 1/4-20 Hex Whiz	2
5	603 00 07-80	Locknut, 3/8-16 Flanged Dimple	4
6	603 00 08-69	Screw, M8X1.25X30, Hex	4
7	603 00 32-53	Rue Ring - 1/2"	2
8	603 00 32-81	Hinge, Roto Bed	2
9	603 00 32-87	Support, Hinge	2
10	603 00 23-21	Stiffener, Bed Support	1
11	603 00 32-88	Bushing, Steel	2
12	603 00 32-92	Pin, Clevis, 3/8	2
13	603 00 00-53	Screw, 3/8-16 X 1.00 Hex-Head Cap	2
14	603 00 00-54	Washer, 1/4 Type A Narrow Flat	2
15	603 00 00-55	Washer, 3/8 Type A Flat	8
16	603 00 00-83	Screw, 1/4-20 X 0.75 Hex-Head Cap	2
17	603 00 00-89	Locknut, 1/4-20 Nylon Insert	2
18	603 00 00-96	Screw, 3/8-16 X 3.375 Hex Cap	2

1

E

2

E



ALL TRAIL II TREAD
Carlisle®

000224-001

WHEELS AND TIRES

ITEM	PART NO.	DESCRIPTION	QTY
		1 2 3 4	
1	603 00 00-24	Nut, 1/2-20 Lug	16
2	603 00 32-86	Tire Assembly, All Trail II (includes items 3 through 5)	4
3	603 00 23-14	Wheel Rim, Gray	1
4	603 00 23-15	Tire, Unmounted, All Trail II	1
5	603 00 00-33	Valve Stem	1

2

E

NOTICE

Do not operate vehicle without this cover properly installed.
Do not direct water stream in this area; will cause damage to components.

CCI 10191001

**ELECTRICAL COMPONENT DECAL
(ON SPEED CONTROLLER COVER)**

WARNING TOW RUN

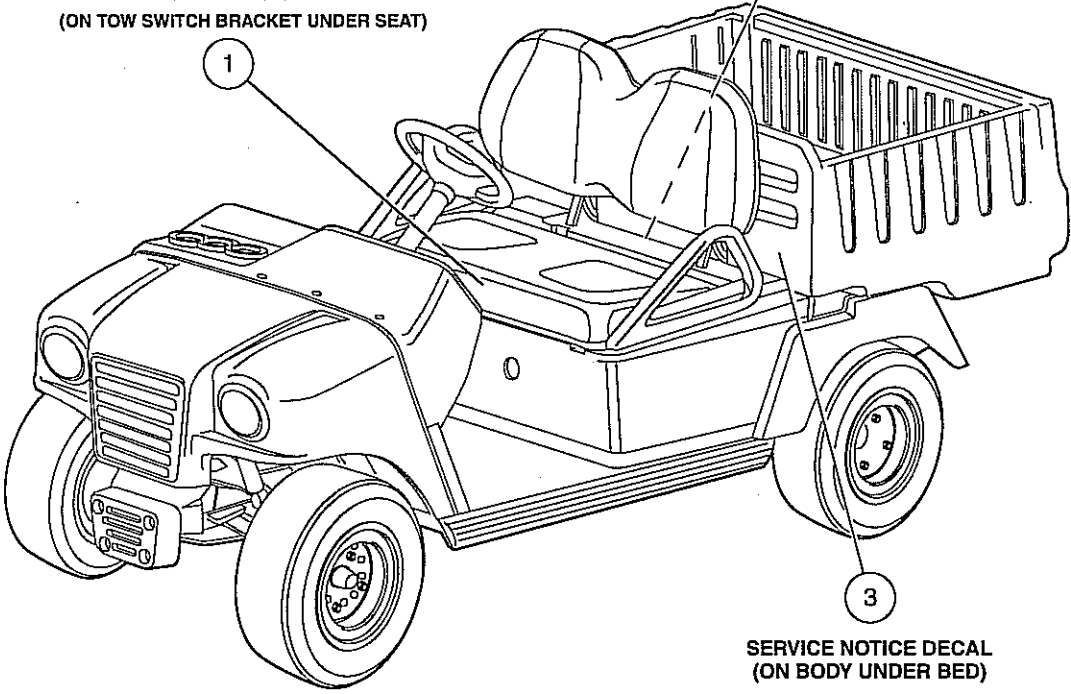
Place Tow/Run switch in TOW position before:

- Disconnecting or connecting batteries
- Towing
- Extended storage
- Servicing

FAILURE TO HEED THIS WARNING COULD RESULT IN A BATTERY EXPLOSION

CCI 10190401

**TOW SWITCH WARNING DECAL
(ON TOW SWITCH BRACKET UNDER SEAT)**



**SERVICE NOTICE DECAL
(ON BODY UNDER BED)**

NOTICE

• THE OWNER/OPERATOR should maintain, lubricate, adjust, and operate the vehicle as detailed in the vehicle owners manual.

CCI 10182201

000228-001

SAFETY DECALS, ELECTRIC VEHICLES

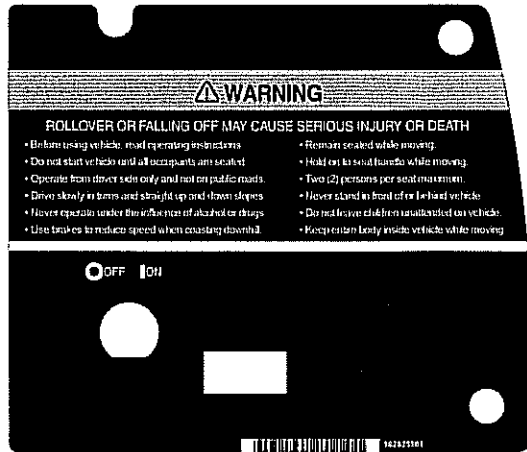
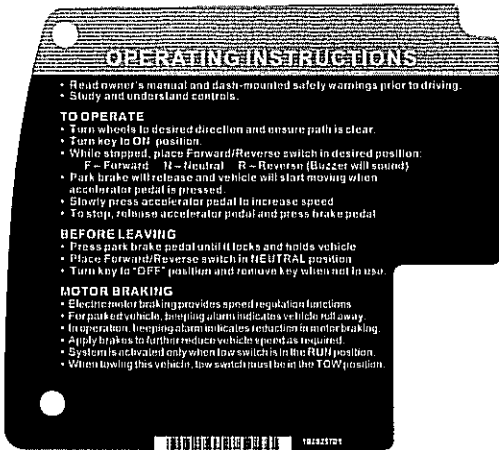
ITEM	PART NO.	DESCRIPTION	QTY
		1 2 3 4	
1	531 30 71-19	Decal, Tow/Run Switch Warning	1
2	531 30 71-20	Decal, Component Cover	1
3	603 00 33-24	Decal, Maintenance	1

3

E

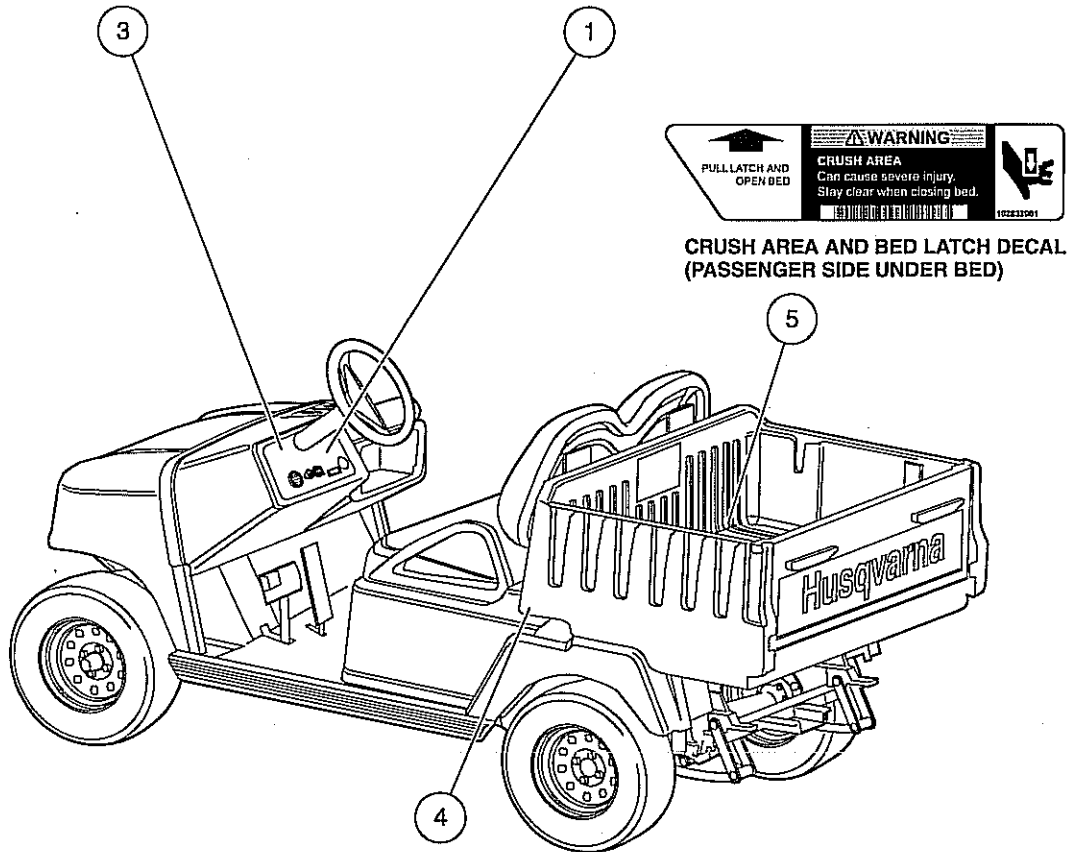
3

E



OPERATING INSTRUCTIONS

DRIVER AND PASSENGER WARNING DECAL



CRASH AREA AND BED LATCH DECAL (PASSENGER SIDE UNDER BED)

CRASH AREA AND BED LATCH DECAL (DRIVER SIDE UNDER BED)



000229-001

SAFETY DECALS, ELECTRIC VEHICLES, CONTINUED

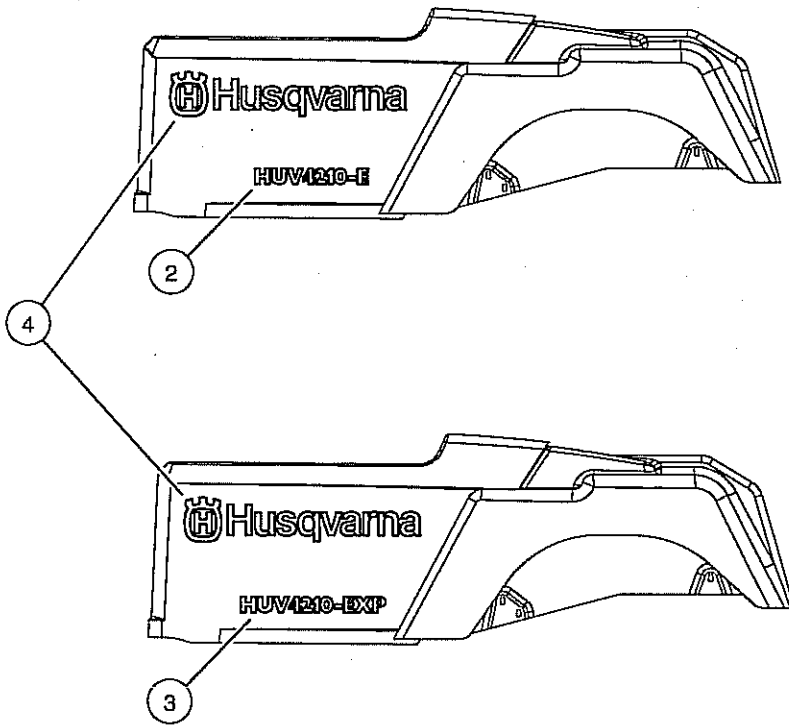
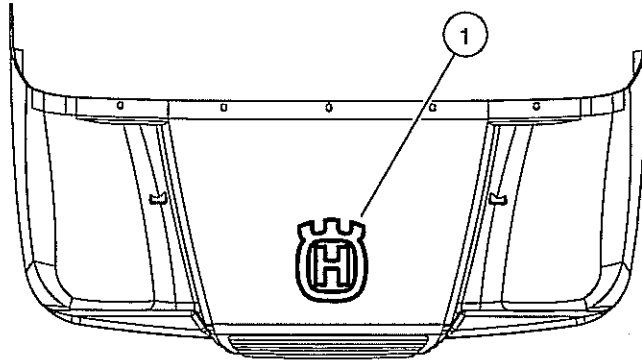
ITEM	PART NO.	DESCRIPTION	QTY
		1 2 3 4	
1	531 30 71-37	Decal, Warning, Instrument Panel	1
2	603 00 30-28	Decal, Warning, Instrument Panel	1
3	531 30 71-38	Decal, Operating Instructions, Instrument Panel	1
4	603 00 20-19	Decal, Crush Warning, Driver-Side	1
5	603 00 20-20	Decal, Crush Warning, Passenger-Side	1
<p style="margin-left: 40px;">Note: Item 2 is used only on vehicles equipped with a 12-volt accessory outlet and is not illustrated.</p>			

3

E

3

E



000299-001

LOGO DECALS, ELECTRIC VEHICLES

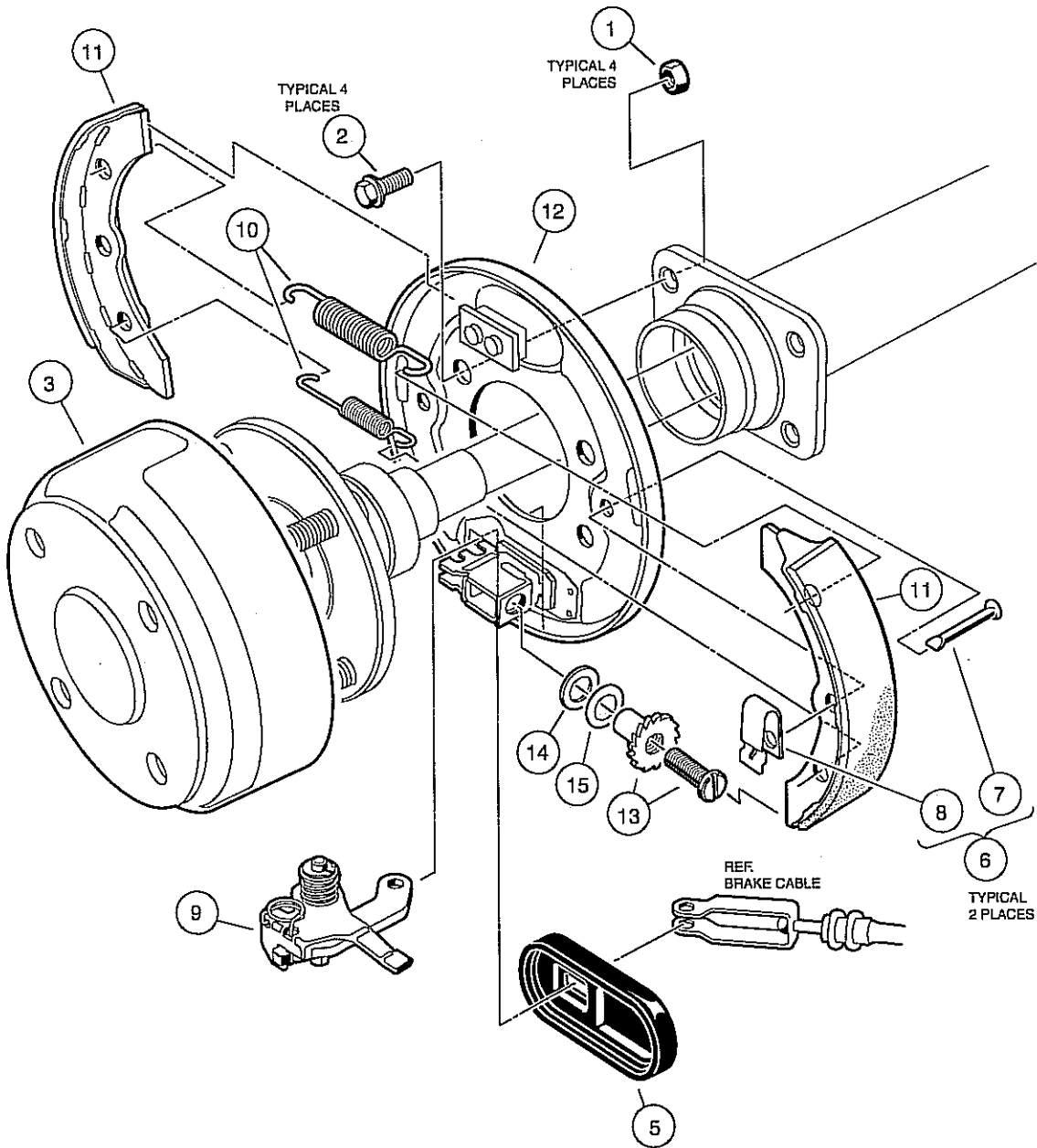
ITEM	PART NO.	DESCRIPTION	QTY
		1 2 3 4	
1	603 00 32-99	Decal, Husqvarna, Cowl	1
2	603 00 30-29	Decal, Husqvarna, Side Panel (HUV4210-E)	2
3	603 00 30-30	Decal, Husqvarna, Side Panel (HUV4210-EXP)	2
4	603 00 23-69	Decal, Husq, Side	2

3

E

4

E



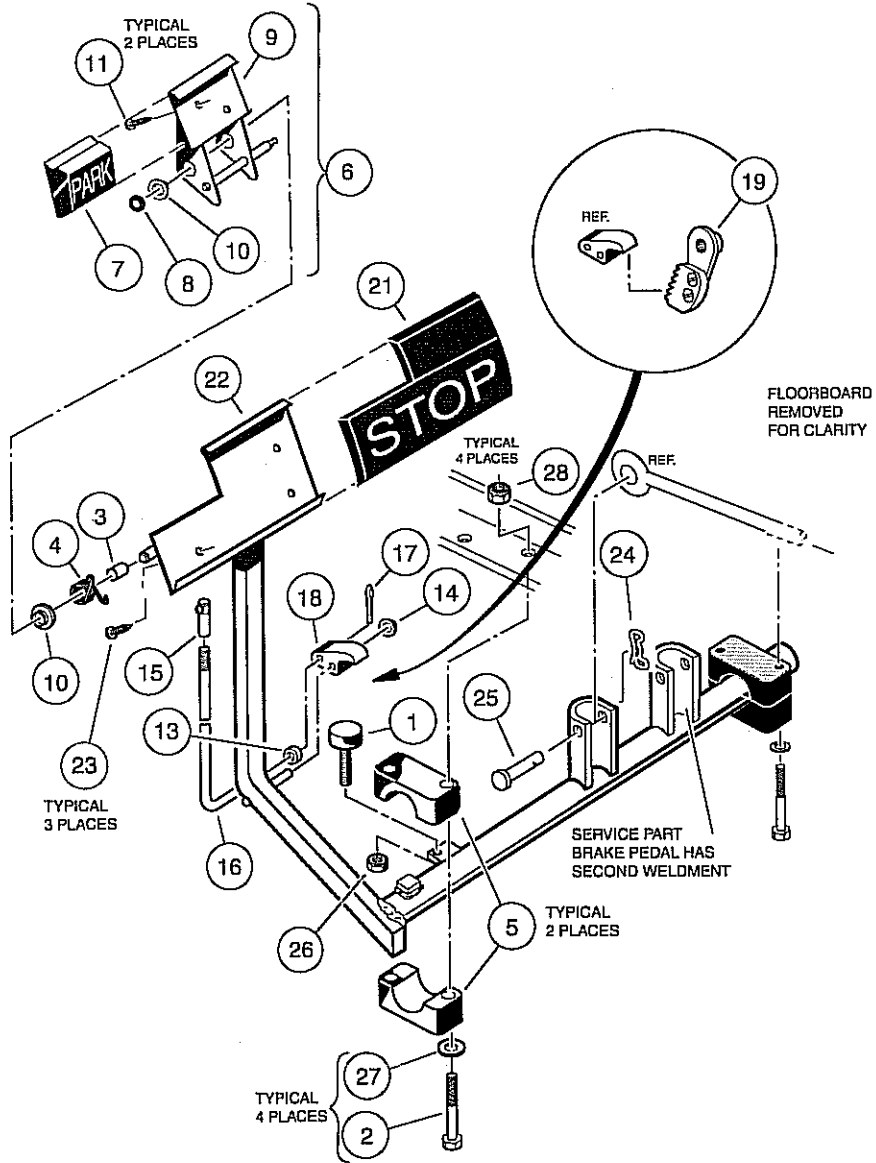
000186-001

BRAKE ASSEMBLY, SELF-ADJUSTING

4

E

ITEM	PART NO.	DESCRIPTION	QTY
		1 2 3 4	
1	603 00 01-93	Nut, 5/16-24 Hex Head Cone	8
2	603 00 30-69	Bolt, Brake Cluster Mounting	8
3	603 00 31-75	Drum without Center Hole, Brake	2
4	603 00 31-86	Cluster Assembly, Right (Passenger) Brake (includes items 5 through 12)	1
5	603 00 30-38	Dust Cover	1
6	603 00 30-44	Kit, Shoe Retainer (includes items 7 and 8)	1
7	N/A	Pin	2
8	N/A	Shoe Clamp Spring	2
9	603 00 31-79	Lever Assembly, Self-Adjusting Brake, Right (Passenger)	1
10	603 00 31-81	Package, Brake Spring, Self-Adjusting	1
11	603 00 31-85	Package, Brake Shoe, Self-Adjusting	1
12	603 00 31-90	Plate Assembly, Right Brake Backing (includes items 13 through 15)	1
13	603 00 31-82	Adj Mechanism, S.A. Brakes, Right (Passenger)	1
14	603 00 31-88	Plate, Washer, Brake, Self-Adjusting	1
15	603 00 31-89	Washer, Brake, Self-Adjusting	1
16	603 00 31-87	Cluster Assembly, Left Brake (includes items 17 through 24)	1
17	603 00 30-38	Dust Cover	1
18	603 00 30-44	Kit, Shoe Retainer (includes items 19 and 20)	1
19	N/A	Pin	2
20	N/A	Shoe Clamp Spring	2
21	603 00 31-80	Lever Assembly, Self-Adjusting Brake, Left	1
22	603 00 31-81	Package, Brake Spring, Self-Adjusting	1
23	603 00 31-85	Package, Brake Shoe, Self-Adjusting	1
24	603 00 31-91	Plate Assembly, Left Brake Backing (includes items 25 through 27)	1
25	603 00 31-83	Adjusting Mechanism, Self-Adjusting Brake, Left	1
26	603 00 31-88	Plate, Washer, Brake, Self-Adjusting	1
27	603 00 31-89	Washer, Brake, Self-Adjusting	1
<p>Note: Driver-side brake cluster not shown. Components have a similar appearance to passenger-side brake cluster components.</p>			



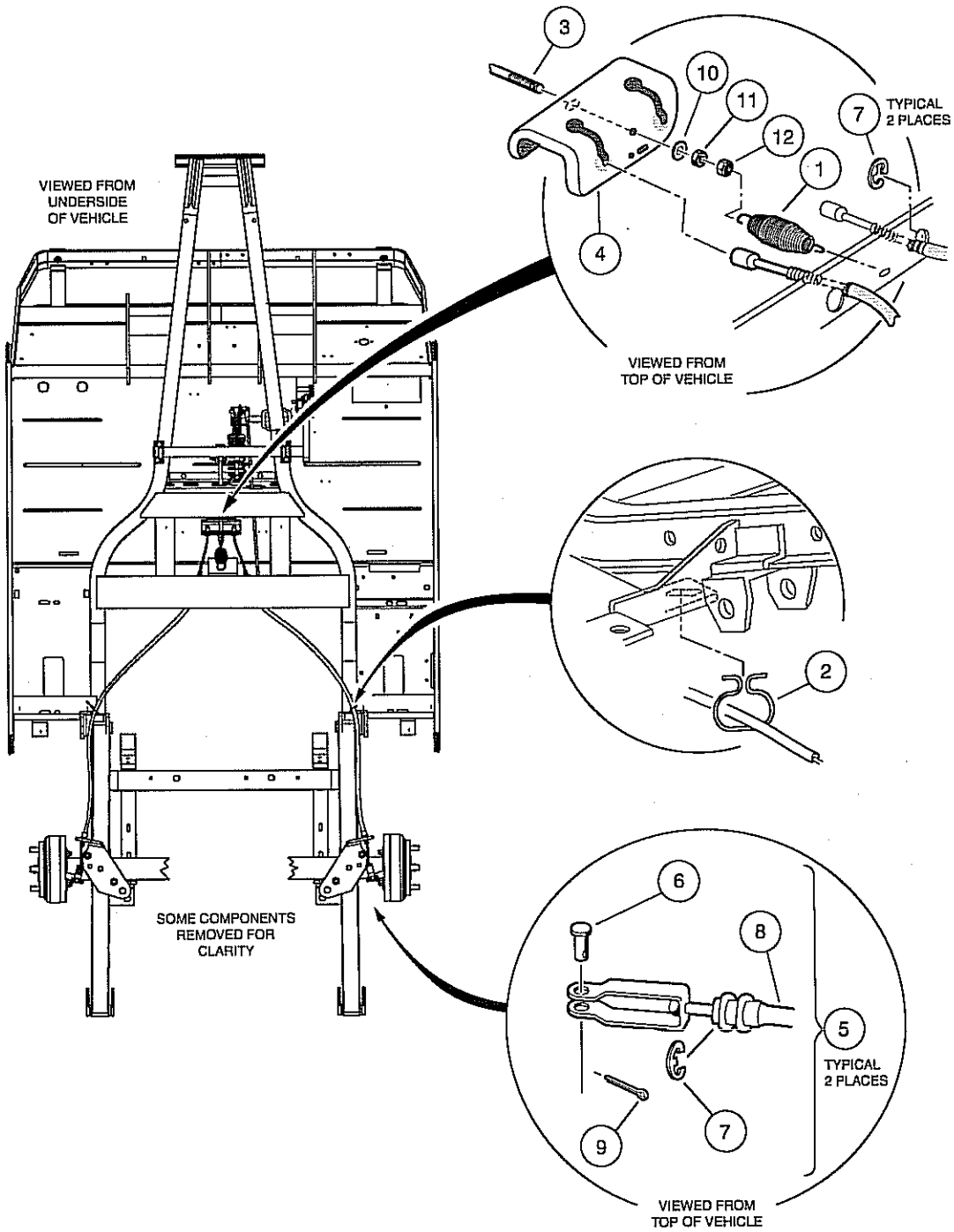
000187-001

BRAKE PEDAL ASSEMBLY – VEHICLES WITH TWO-WHEEL BRAKES

ITEM	PART NO.	DESCRIPTION	QTY
		1 2 3 4	
1	603 00 01-13	Bumper, Rubber	1
2	603 00 01-15	Screw, 5/16-18 X 2.50 Hex Cap	4
3	603 00 30-40	Hill Brake Spacer	1
4	603 00 30-42	Spring, Hill Brake Torsion	1
5	603 00 01-21	Package, Brake Mounting Block	1
6	603 00 30-43	Kit, Hill Brake Pedal (includes items 7 through 11)	1
7	603 00 30-65	Pad, Hill Brake	1
8	603 00 30-66	Pushnut, 3/8	1
9	N/A	Hill Brake Weld Assembly	1
10	603 00 33-02	Bushing, Nylon	2
11	603 00 00-81	Screw, #10-16 Type AB, Sheet Metal	2
12	603 00 30-46	Kit, Hill Brake Latch (includes items 13 through 19)	1
13	603 00 30-37	Sleeve, Hill Brake Rod	1
14	603 00 30-39	Pushnut, 3/8	1
15	603 00 30-41	Ball Joint, 1/4-28	1
16	N/A	Rod, Hill Brake	1
17	603 00 31-55	Pin, Cotter, 7/64 x 1/2 Stainless-Steel	1
18	N/A	Pawl, Hill Brake	1
19	N/A	Ratchet Assembly	1
20	603 00 32-00	Brake Pedal Kit (includes items 21 through 23)	1
21	603 00 30-64	Pad, Brake Pedal	1
22	N/A	Brake Pedal Weld Asm	1
23	603 00 00-81	Screw, #10-16 Type AB, Sheet Metal	3
24	603 00 08-82	Pin, Bow Tie Locking	1
25	603 00 26-01	Pin, 3/8 X 1-5/16 Clevis	1
26	603 00 00-62	Nut, 1/4-20 Hex	1
27	603 00 00-65	Washer, 5/16 Type A Flat	4
28	603 00 00-78	Locknut, 5/16-18 Nylon Insert	4

4

E



000245-001

BRAKE CABLE, EQUALIZER, AND EQUALIZER ROD – VEHICLES WITH TWO-WHEEL BRAKES

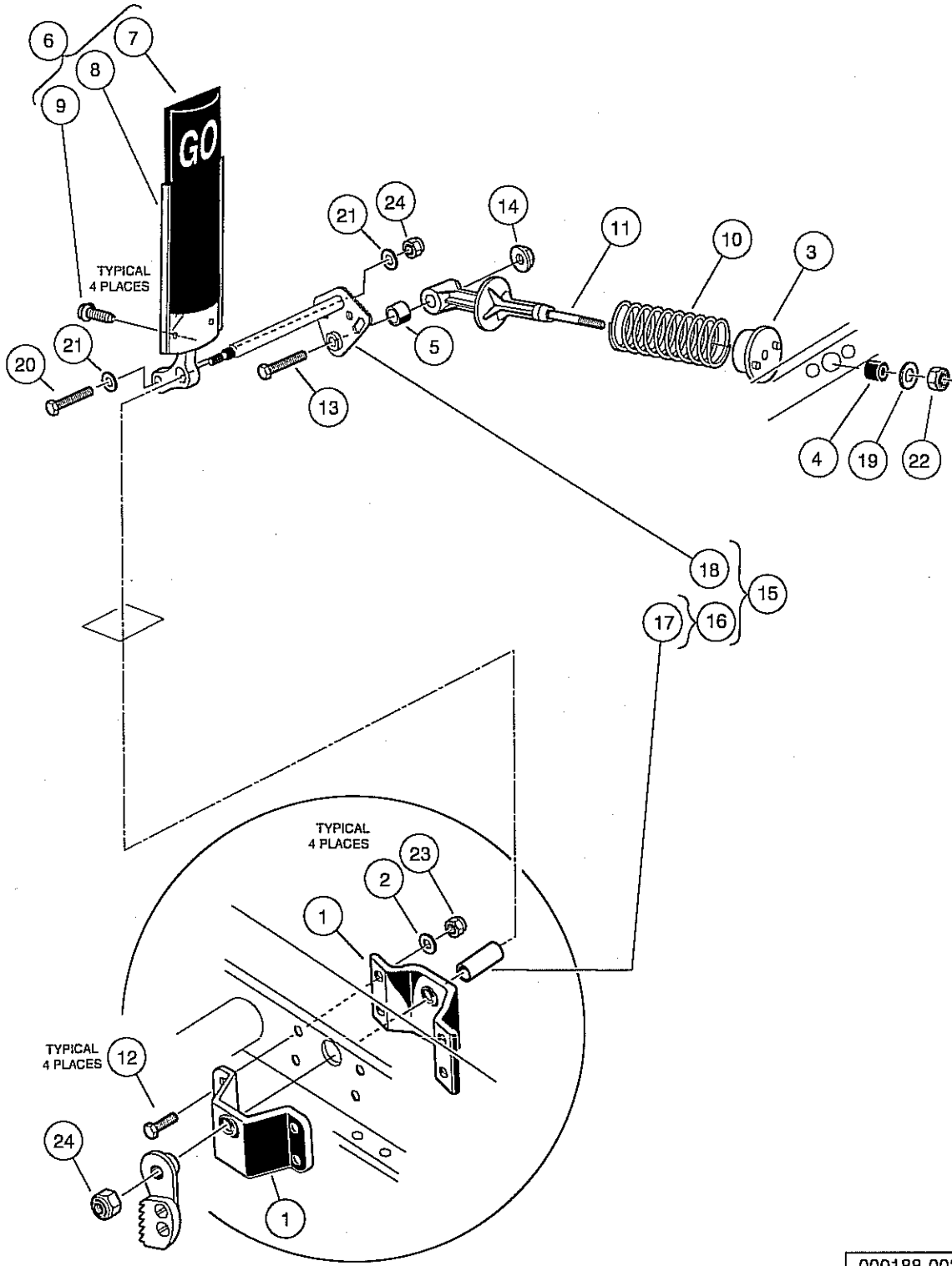
ITEM	PART NO.	DESCRIPTION	QTY
		1 2 3 4	
1	603 00 01-75	Spring, Brake Return	1
2	603 00 05-77	Hanger, Brake Cable	2
3	603 00 32-37	Rod, Equalizer	1
4	603 00 32-49	Equalizer Bracket	1
5	603 00 32-51	Brake Cable Kit (includes items 6 through 9)	2
6	603 00 01-12	Pin, Clevis, 5/16 X 3/4	1
7	603 00 01-30	E-Clip, 1/2	2
8	N/A	Cable, Brake	1
9	603 00 00-63	Pin, 3/32 X 1.00 Sq Cut Cotter	1
10	603 00 00-65	Washer, 5/16 Type A Flat	5
11	603 00 00-66	Nut, 5/16-18 Hex	1
12	603 00 00-78	Locknut, 5/16-18 Nylon Insert	5

4

E

4

E



000188-002

ACCELERATOR PEDAL ASSEMBLY – ELECTRIC VEHICLES WITH MCOR

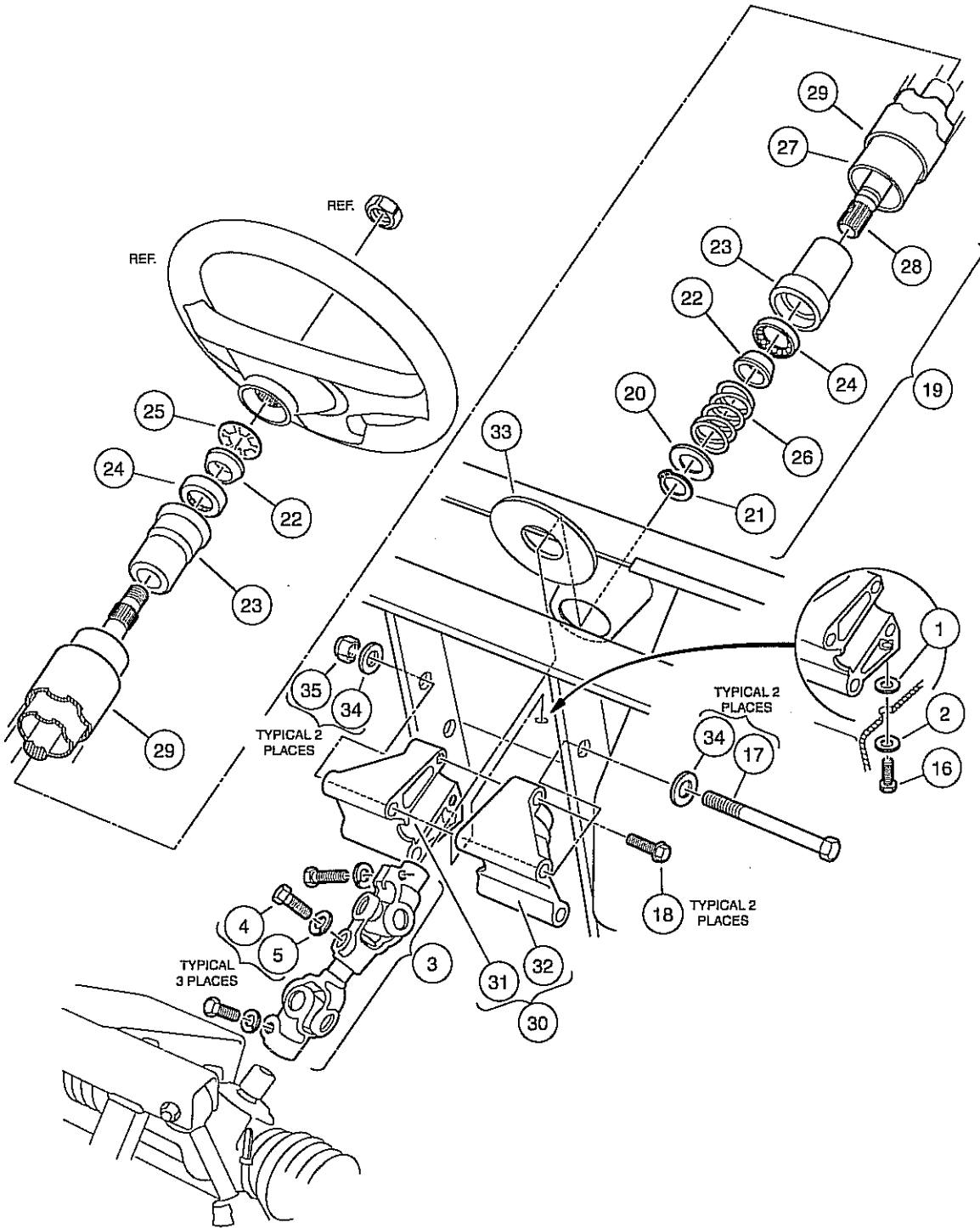
ITEM	PART NO.	DESCRIPTION	QTY
		1 2 3 4	
1	603 00 01-26	Accelerator Bracket and Bearing Assembly	2
2	603 00 01-94	Washer, 1/4 Flat	4
3	603 00 03-92	Cup, Spring	1
4	603 00 03-93	Bumper, Spring Return	1
5	603 00 03-95	Bearing, Pivot Support	1
6	603 00 04-32	Sub Asm, Accelerator Pedal (includes items 7 through 9)	1
7	603 00 01-92	Pad, Accelerator Pedal	1
8	N/A	Accelerator Pedal Weldment	1
9	603 00 00-81	Screw, #10-16 Type AB, Sheet Metal	4
10	603 00 04-90	Spring, Accelerator Return	1
11	603 00 04-99	Retainer, Spring	1
12	603 00 05-28	Screw, 1/4-20 X 1.125 Hex Cap	4
13	603 00 31-99	Screw, 1/4-20 X 1.500 Flange	1
14	603 00 06-17	Locknut, 1/4-28 Hex Flange Nylon	1
15	603 00 06-97	Kit, Accelerator Pivot Rod Assembly (includes items 16 through 18)	1
16	603 00 22-38	Spacer Assembly (includes item 17)	1
17	N/A	Spacer, Accelerator	1
18	N/A	Pivot Rod Weldment	1
19	603 00 00-65	Washer, 5/16 Type A Flat	1
20	603 00 00-68	Screw, 3/8-16 X 1.50 Hex-Head Cap	1
21	603 00 00-55	Washer, 3/8 Type A Flat	2
22	603 00 00-78	Locknut, 5/16-18 Nylon Insert	1
23	603 00 00-89	Locknut, 1/4-20 Nylon Insert	4
24	603 00 00-95	Locknut, 3/8-16 Hex	2

4

E

5

E



000247-001

STEERING COLUMN

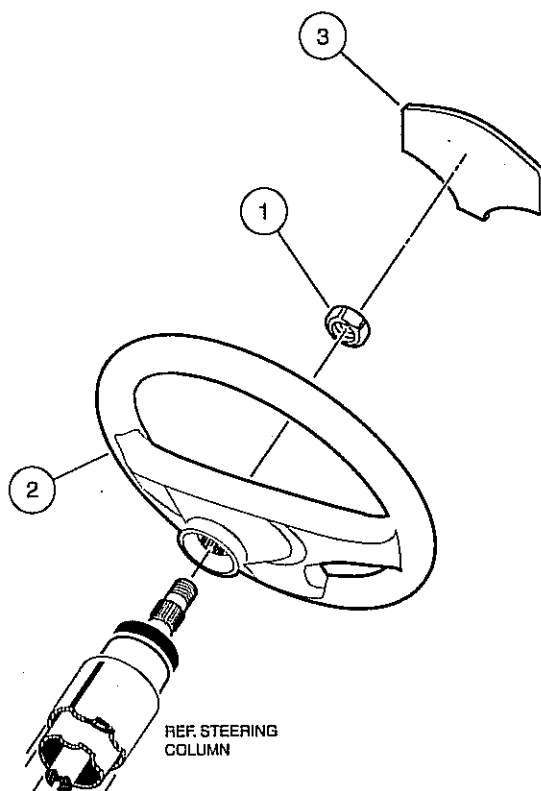
ITEM	PART NO.	DESCRIPTION	QTY
		1 2 3 4	
1	603 00 30-45	Washer, 5/16 Type B Flat	1
2	603 00 01-27	Washer, 5/16 Flat	1
3	603 00 30-63	Intermediate Steering Shaft (includes items 4 and 5)	1
4	603 00 03-86	Bolt, Hex-Head, 8mm X 1.25 - 30	3
5	603 00 00-72	Lockwasher, 5/16 Split	3
6	603 00 30-73	Steering Column Rebuild Kit (includes items 7 through 15)	A/R
7	603 00 30-53	Dust Cover	1
8	603 00 01-48	Ring, 0.579 Internal Retaining	1
9	603 00 02-12	Wedge, Molded	2
10	603 00 02-13	Seat, Plastic Bearing	2
11	603 00 30-71	Seal, Bearing	1
12	603 00 30-72	Spacer, Shaft	1
13	603 00 02-16	Bearing, Ball	2
14	603 00 02-17	Ring, Retaining	1
15	603 00 02-18	Spring, Steering Shaft	1
16	603 00 02-20	Screw, 5/16-18 X 0.75 Thread-Forming	1
17	603 00 02-81	Screw, 3/8-16 X 7.00 Hex Cap	2
18	603 00 30-86	Screw, 5/16-18 Thrd Forming	2
19	603 00 31-61	Steering Shaft Assembly (includes items 20 through 28)	1
20	603 00 01-47	Washer, 0.675 ID X 1.19 OD	1
21	603 00 01-48	Ring, 0.579 Internal Retaining	1
22	603 00 02-12	Wedge, Molded	2
23	603 00 02-13	Seat, Plastic Bearing	2
24	603 00 02-16	Bearing, Ball	2
25	603 00 02-17	Ring, Retaining	1
26	603 00 02-18	Spring, Steering Shaft	1
27	603 00 31-62	Column, Aluminum Steering	1
28	603 00 03-90	Shaft Steering Column	1
29	603 00 31-63	Tube Cover, Steering Column	1
30	603 00 32-46	Kit, Steering Column Mounting Bracket (includes items 31 and 32)	1
31	N/A	Bracket, RH Steering Column Mount	1
32	N/A	Bracket, LH Steering column mount	1
33	603 00 08-68	Boot, Steering Column Round	1
34	603 00 00-55	Washer, 3/8 Type A Flat	4
35	603 00 00-95	Locknut, 3/8-16 Hex	2
Note: Item 6 is not illustrated.			

5

E

5

E



000246-001

STEERING WHEEL

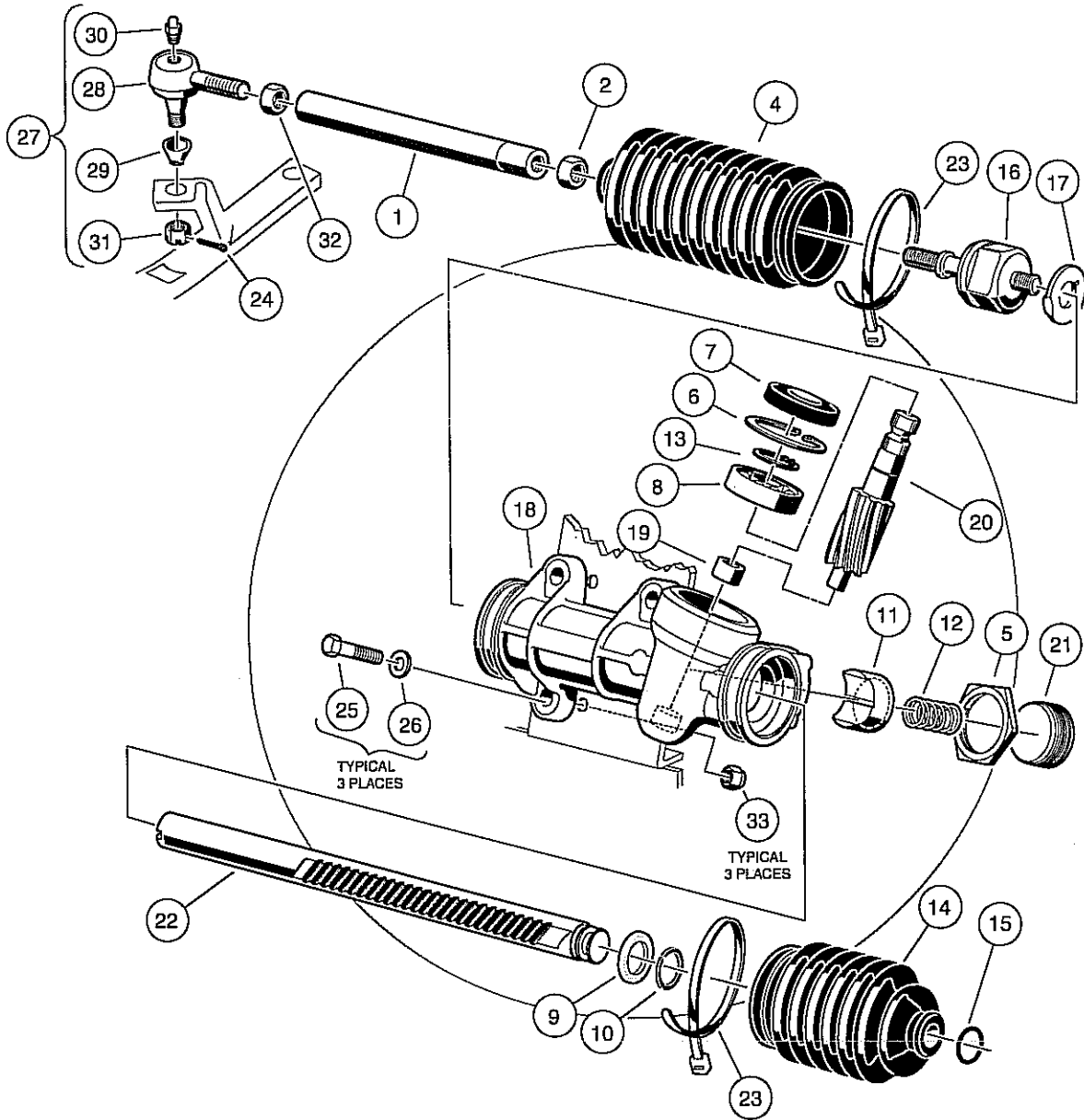
ITEM	PART NO.	DESCRIPTION	QTY
		1 2 3 4	
1	603 00 03-89	Nut, 5/8-18 Nylon Insert Jam	1
2	603 00 32-77	Steering Wheel, Spline	1
3	603 00 32-91	Wheel Center	1

5

E

5

E



000189-001

STEERING GEAR ASSEMBLY

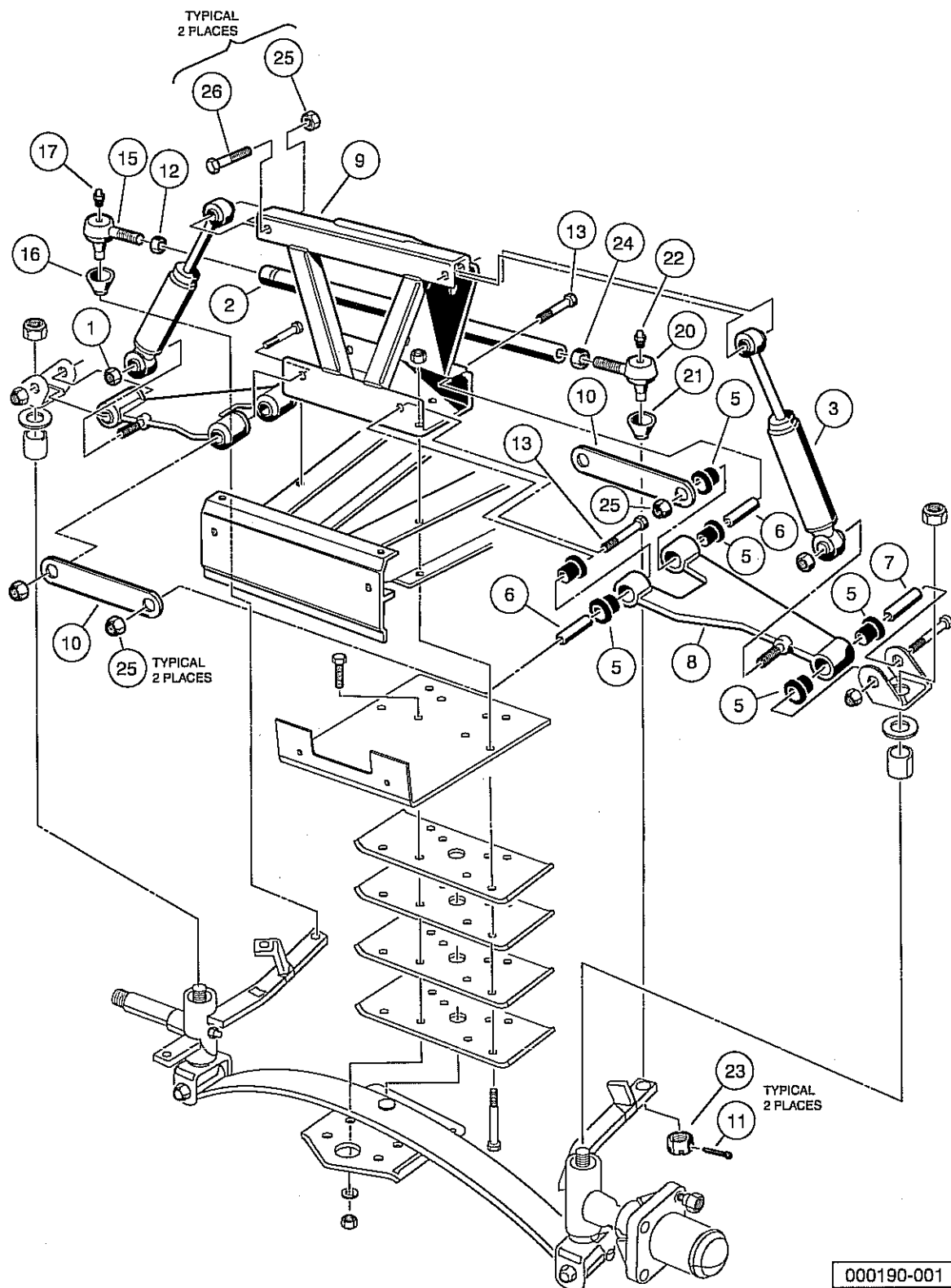
ITEM	PART NO.	DESCRIPTION	QTY
		1 2 3 4	
1	603 00 30-54	Link, Rack and Pinion Drag	1
2	603 00 01-67	Nut, 12mm Hex	1
3	603 00 32-01	Steering Gear Assembly (without yoke) (includes items 4 through 23)	1
4	603 00 01-66	Bellows, Long	1
5	603 00 01-68	Rack Screw Locknut	1
6	603 00 01-69	Snap Ring	1
7	603 00 01-70	Seal, Steering Pinion Dust	1
8	603 00 05-49	Bearing, Ball	1
9	603 00 32-02	Stop Washer	1
10	603 00 32-03	Stop Ring, C-Type	1
11	603 00 05-50	Support Yoke	1
12	603 00 05-51	Rack Guide Pressure Spring	1
13	603 00 05-52	Ring, Stop, C-Type	1
14	603 00 32-04	Bellows, Short	1
15	603 00 32-05	Dust Seal Retaining Ring	1
16	603 00 05-53	Inner Ball Joint Asm	1
17	603 00 32-06	Washer, Tab	1
18	N/A	Box, Steering Gear	1
19	N/A	Bearing, Lower Pinion	1
20	N/A	Pinion, Steering	1
21	N/A	Screw, Rack Guide	1
22	N/A	Rack, Steering	1
23	603 00 29-63	Tie Wrap, 8" Nylon	2
24	603 00 00-63	Pin, 3/32 X 1.00 Sq Cut Cotter	1
25	603 00 00-68	Screw, 3/8-16 X 1.50 Hex-Head Cap	3
26	603 00 00-55	Washer, 3/8 Type A Flat	3
27	603 00 20-40	Ball Joint, Left (includes items 28 through 31)	1
28	N/A	Socket, LH Vertical	1
29	603 00 30-47	Seal, Vertical Socket Dust	1
30	603 00 02-64	Fitting, 1/4-28 Thread-Forming Grease	1
31	603 00 33-09	Nut, 3/8-24 UNF Hex	1
32	603 00 33-08	Nut, 1/2-20 Hex, Left-Hand Thread	1
33	603 00 00-95	Locknut, 3/8-16 Hex	3

5

E

5

E



000190-001

FRONT SUSPENSION, UPPER – VEHICLES WITH TWO-WHEEL BRAKES

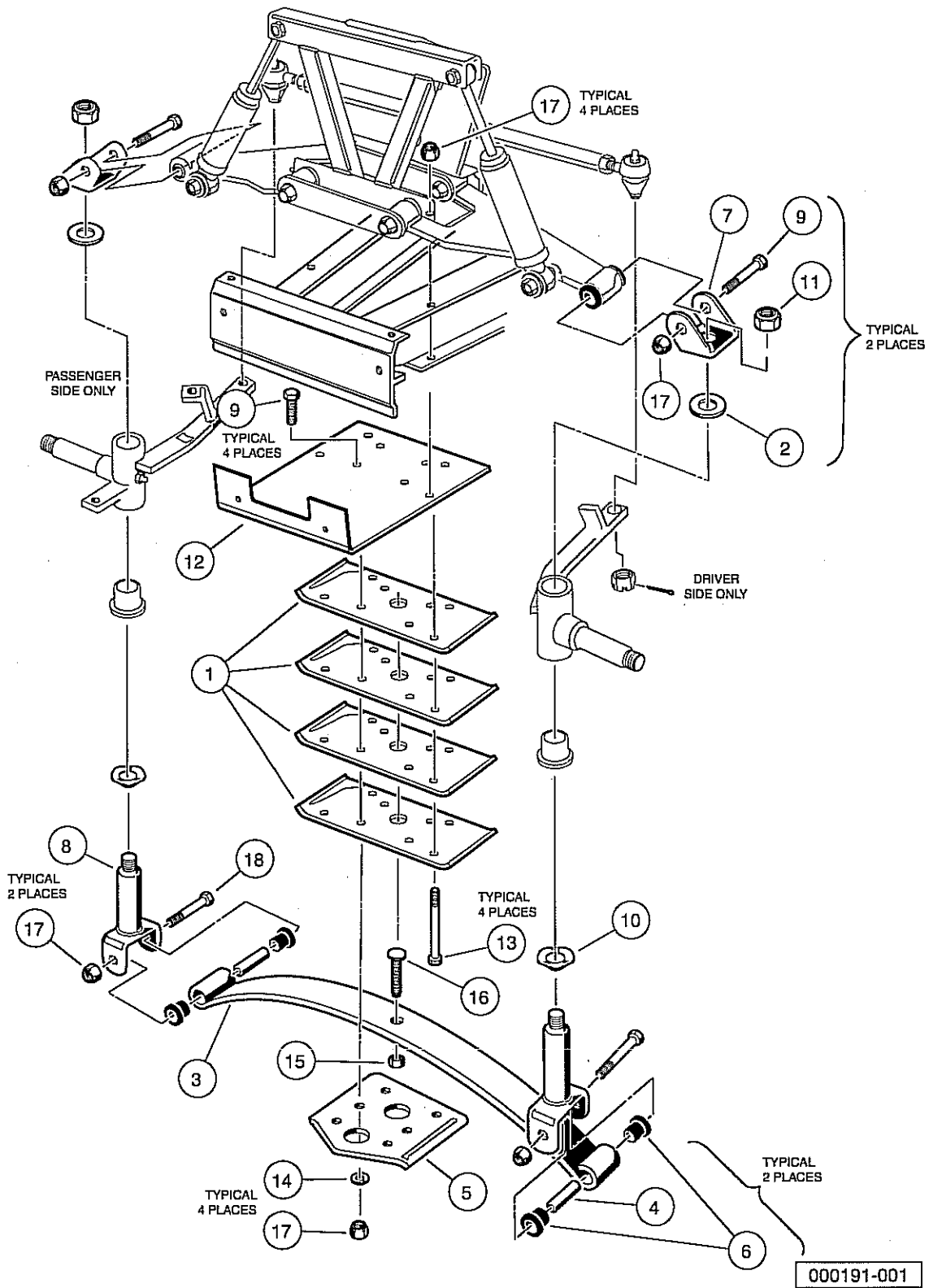
ITEM	PART NO.	DESCRIPTION	QTY
		1 2 3 4	
1	603 00 01-01	Locknut, 3/8-16 Dimpled	2
2	603 00 30-36	Tie Rod	1
3	603 00 30-74	Shock Absorber	2
4	603 00 36-32	Sub-Assembly, Delta A-Plate (includes items 5 through 8)	2
5	603 00 02-90	Bushing, Urethane	6
6	603 00 30-87	Sleeve, Delta Inner	2
7	603 00 30-88	Sleeve, Delta Outer	1
8	N/A	Delta A-Plate	1
9	603 00 30-91	Delta Shock and Gear Support Assembly	1
10	603 00 31-60	A-Plate Strap	2
11	603 00 00-63	Pin, 3/32 X 1.00 Sq Cut Cotter	2
12	603 00 33-03	Nut, 1/2-20 Hex	1
13	603 00 33-04	Screw, 3/8-16 X 2.25 Hx Hd Cap	4
14	603 00 20-39	Ball Joint, Right-Hand (includes items 15 through 18)	1
15	N/A	Socket, RH Vertical	1
16	603 00 30-47	Seal, Vertical Socket Dust	1
17	603 00 02-64	Fitting, 1/4-28 Thread-Forming Grease	1
18	603 00 33-09	Nut, 3/8-24 UNF Hex	1
19	603 00 20-40	Ball Joint, Left (includes items 20 through 23)	1
20	N/A	Socket, LH Vertical	1
21	603 00 30-47	Seal, Vertical Socket Dust	1
22	603 00 02-64	Fitting, 1/4-28 Thread-Forming Grease	1
23	603 00 33-09	Nut, 3/8-24 UNF Hex	1
24	603 00 33-08	Nut, 1/2-20 Hex, Left-Hand Thread	1
25	603 00 00-95	Locknut, 3/8-16 Hex	10
26	603 00 33-11	Bolt, 3/8-16 X 1.75 Hex	2

5

E

5

E



FRONT SUSPENSION, LOWER – VEHICLES WITH TWO-WHEEL BRAKES

ITEM	PART NO.	DESCRIPTION	QTY
		1 2 3 4	
1	603 00 30-34	Plate, Spring Mount	4
2	603 00 01-05	Bearing, Thrust	2
3	603 00 30-49	Spring, Front Leaf	1
4	603 00 01-36	Bushing, Steel	2
5	603 00 30-75	Plate, Front Spring Retainer	1
6	603 00 02-63	Bushing, Urethane	4
7	603 00 30-90	Clevis, Delta Upper	2
8	603 00 30-92	King Pin Assembly	2
9	603 00 02-91	Screw, 3/8-16 X 2.75 Hx Hd Cap	6
10	603 00 02-92	Washer, 1.125 Od Wave	2
11	603 00 05-78	Locknut, 1/2-20 Nylon Insert	2
12	603 00 32-97	Support, Brush Guard	1
13	603 00 20-58	Screw, 3/8-16 X 5.50 Hx Hd Cap	4
14	603 00 00-56	Washer, 3/8 Split Lock	4
15	603 00 33-05	Nut, 3/8-16 Hex	1
16	603 00 33-10	Screw, Eccentric Adjustment	1
17	603 00 00-95	Locknut, 3/8-16 Hex	8
18	603 00 00-96	Screw, 3/8-16 X 3.375 Hex Cap	2

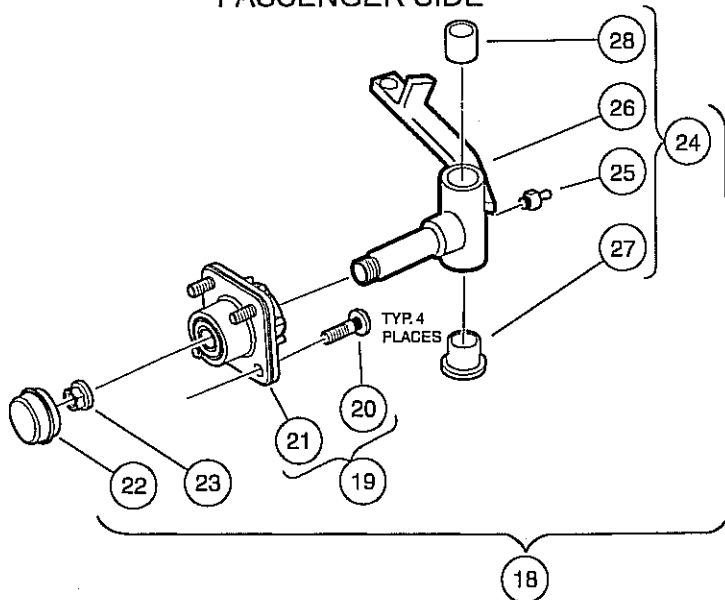
5

E

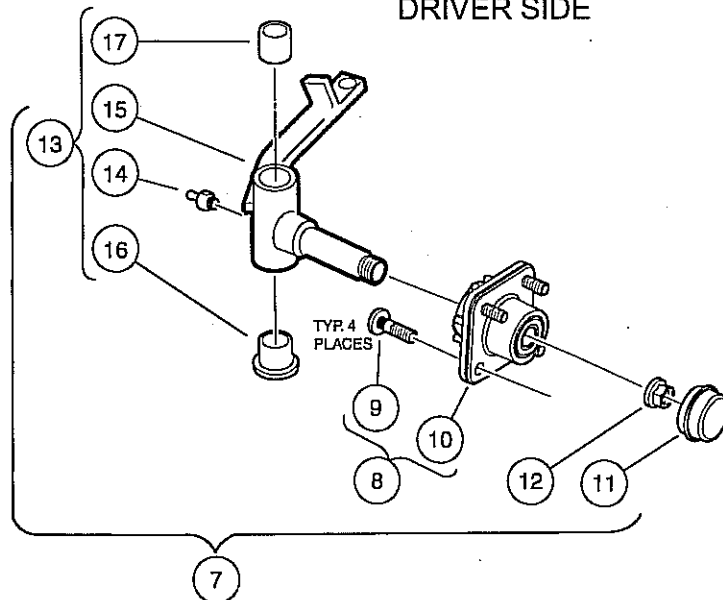
5

E

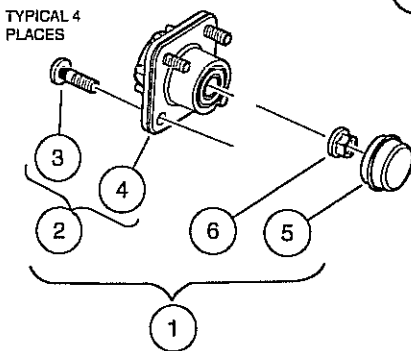
PASSENGER SIDE



DRIVER SIDE



REPLACEMENT HUB
FOR DRIVER OR
PASSENGER SIDE



000301-002

FRONT SUSPENSION – FRONT HUB ASSEMBLY

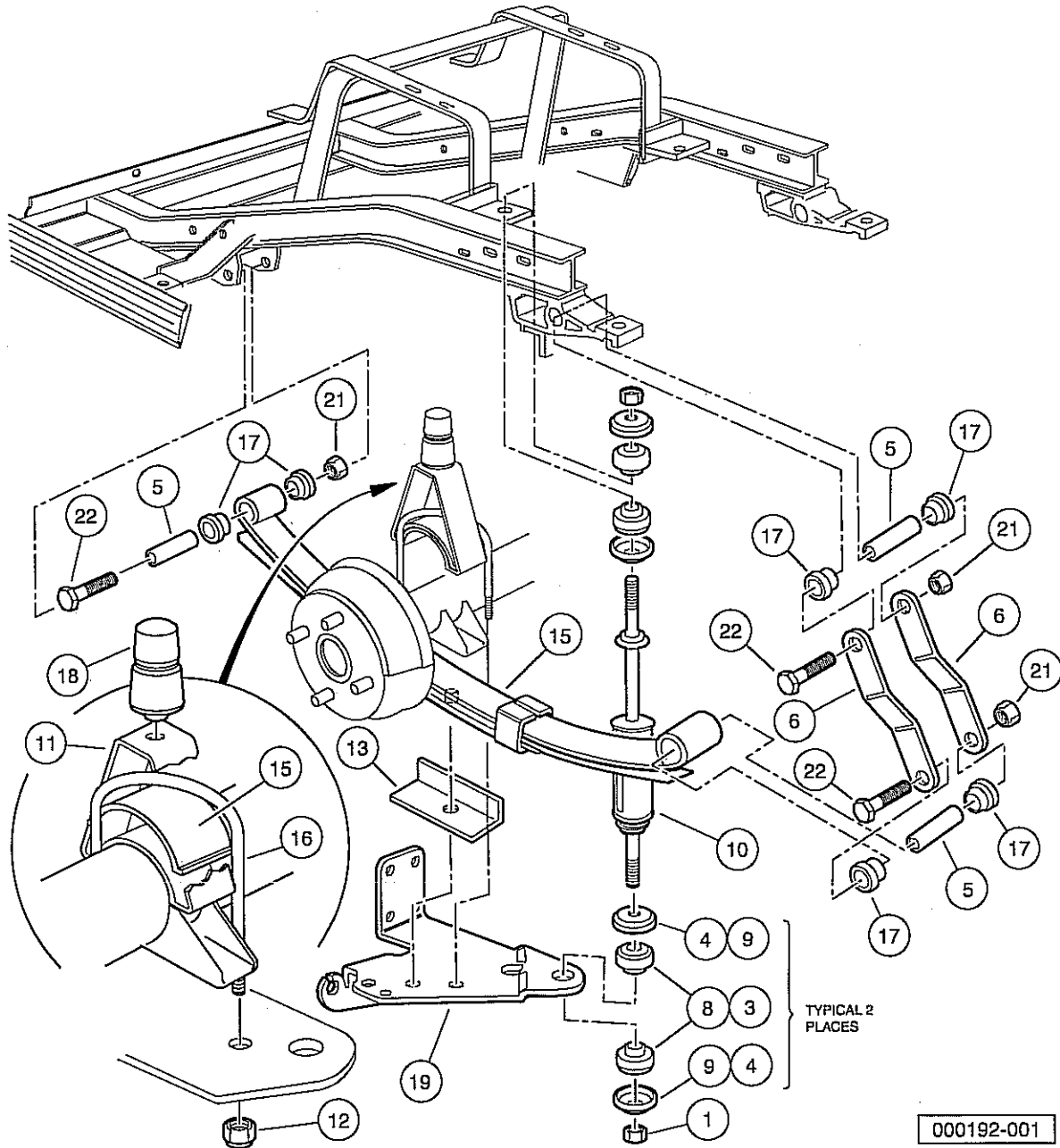
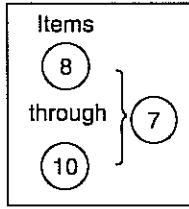
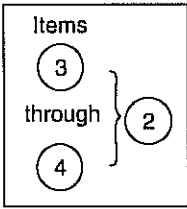
ITEM	PART NO.	DESCRIPTION	QTY
		1 2 3 4	
1	603 00 22-69	Replacement Kit, Front Hub (includes items 2 through 6)	2
2	N/A	Front Hub Assembly, Ball Bearing (includes items 3 and 4)	1
3	603 00 32-60	Lug Stud, 1/2-20 UNF, 4037 Stl	4
4	N/A	Hub, Front	1
5	603 00 32-58	Cap, Front Hub	1
6	603 00 32-59	Hex Nut, Locking Flange, M14x2	1
7	N/A	Asm, Hub And Spindle, Lh Ext (includes items 8 through 13)	1
8	N/A	Front Hub Assembly, Ball Bearing (includes items 9 and 10)	1
9	603 00 32-60	Lug Stud, 1/2-20 UNF, 4037 Stl	4
10	N/A	Hub, Front	1
11	603 00 32-58	Cap, Front Hub	1
12	603 00 32-59	Hex Nut, Locking Flange, M14x2	1
13	603 00 36-42	Asm, Spindle, LH, Ext (includes items 14 through 17)	1
14	603 00 02-64	Fitting, 1/4-28 Thread-Forming Grease	1
15	603 00 23-65	Subasm, Spindle, Lh, Ext	1
16	603 00 00-70	Bushing, Flanged Bronze	1
17	603 00 00-88	Bushing, Bronze Spindle	1
18	N/A	Asm, Hub And Spindle, Rh Ext (includes items 19 through 24)	1
19	N/A	Front Hub Assembly, Ball Bearing (includes items 20 and 21)	1
20	603 00 32-60	Lug Stud, 1/2-20 UNF, 4037 Stl	4
21	N/A	Hub, Front	1
22	603 00 32-58	Cap, Front Hub	1
23	603 00 32-59	Hex Nut, Locking Flange, M14x2	1
24	603 00 36-40	Asm, Spindle, RH, Ext (includes items 25 through 28)	1
25	603 00 02-64	Fitting, 1/4-28 Thread-Forming Grease	1
26	603 00 23-64	Subasm, Spindle, Rh, Ext	1
27	603 00 00-70	Bushing, Flanged Bronze	1
28	603 00 00-88	Bushing, Bronze Spindle	1

5

E

5

E



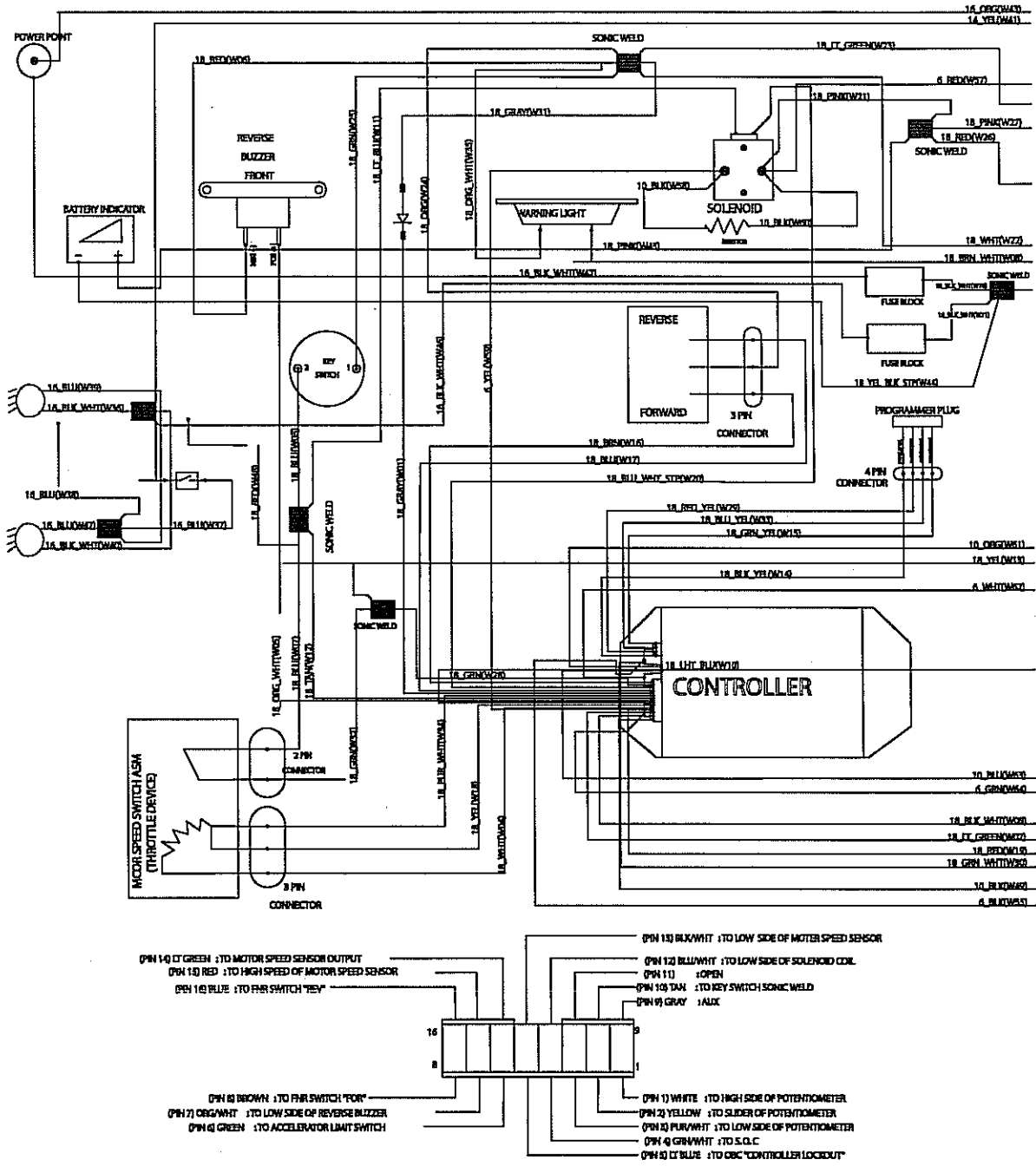
REAR SUSPENSION – VEHICLES WITH TWO-WHEEL BRAKES

ITEM	PART NO.	DESCRIPTION	QTY
		1 2 3 4	
1	603 00 01-04	Nut, 3/8-24 Hex	4
2	603 00 30-22	Kit, Shock Absorber Cushion (includes items 3 and 4)	4
3	N/A	Cushion, Shock Absorber	2
4	N/A	Retainer, Shock Absorber Cushion	2
5	603 00 01-36	Bushing, Steel	6
6	603 00 30-52	Shackle, Rear Spring	4
7	603 00 30-56	Shock Absorber Kit (includes items 8 through 10)	1
8	N/A	Cushion, Shock Absorber	8
9	N/A	Retainer, Shock Absorber Cushion	8
10	603 00 32-70	Shock Absorber Rear	2
11	603 00 30-76	Bumper Mount, Angled	2
12	603 00 02-33	Locknut, 7/16-14 Nylon Insert	4
13	603 00 30-77	Spring Retainer	2
14	603 00 30-78	Rear Leaf Spring	2
15	603 00 30-79	Spacer, Overload Bumper	2
16	603 00 30-80	U-Bolt	2
17	603 00 02-63	Bushing, Urethane	12
18	603 00 31-59	Bumper, Jounce	2
19	603 00 36-33	Bracket, Left-Hand	1
20	603 00 36-34	Bracket, Right	1
21	603 00 00-95	Locknut, 3/8-16 Hex	6
22	603 00 00-96	Screw, 3/8-16 X 3.375 Hex Cap	6

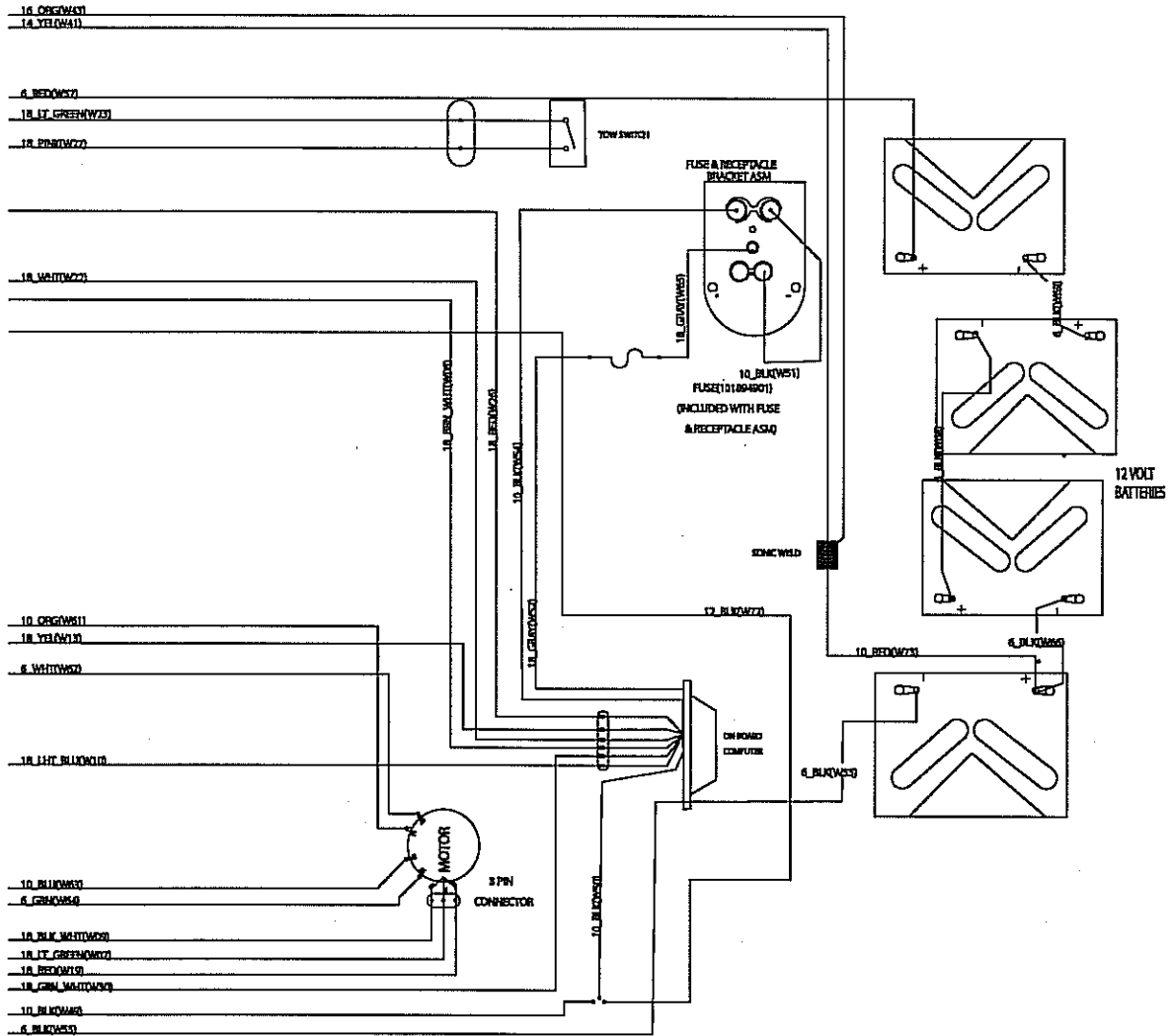
5

E

ELECTRIC VEHICLE



000233-001



000233-001

6

E

See previous two pages for diagram.

WIRING – ELECTRIC VEHICLE

ITEM	PART NO.	DESCRIPTION	QTY
1	603 00 30-05	1 2 3 4 Wire Harness, Electric Vehicle	1

6

E

ELECTRICAL COMPONENTS, FRONT BODY – ELECTRIC VEHICLE

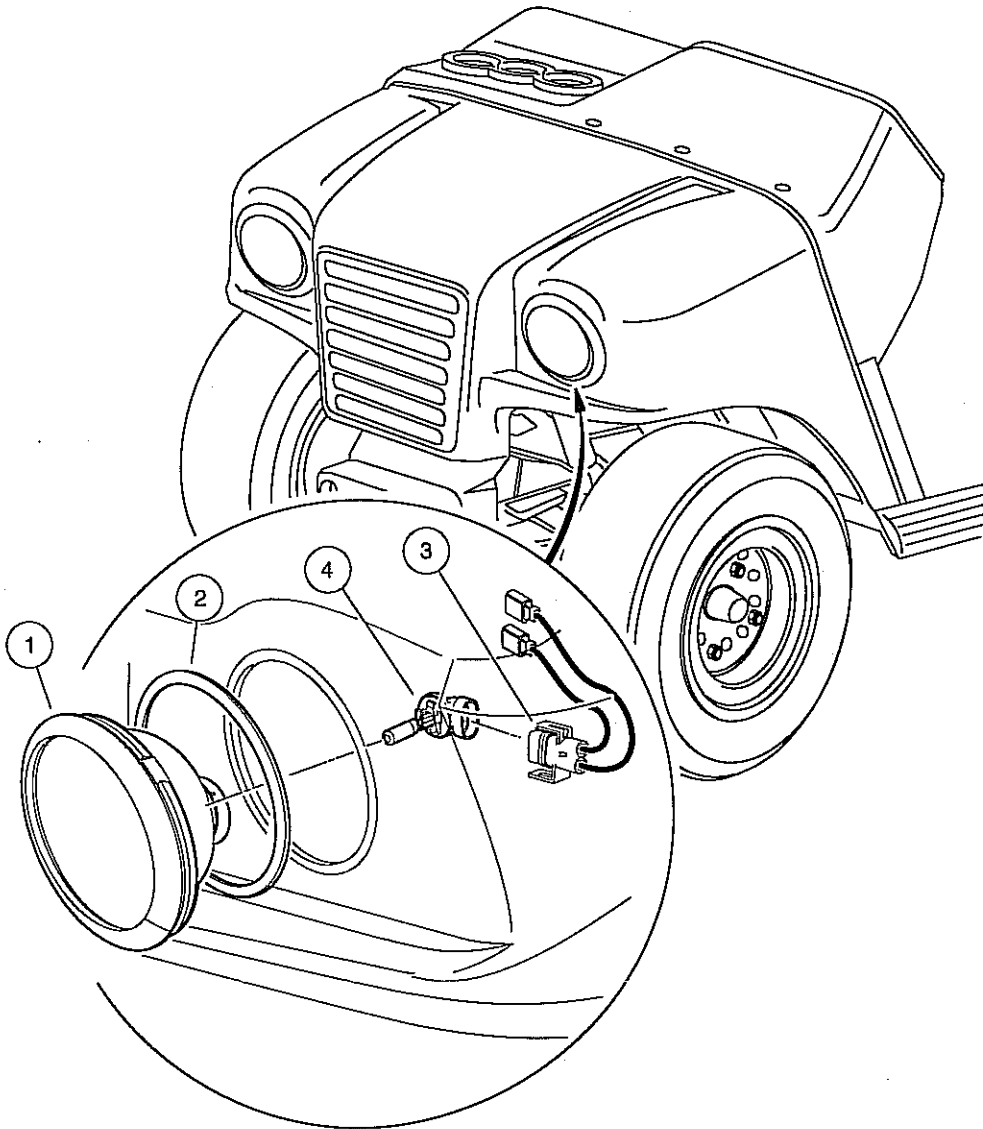
6

E

ITEM	PART NO.	DESCRIPTION	QTY
		1 2 3 4	
1	603 00 01-91	Knob, Light Switch	1
2	603 00 36-64	Indicator, Battery Condition, 48-Volt	1
3	603 00 36-72	Nut, Key Switch	1
4	603 00 35-90	Screw, Tuflok Panel, 1/4	7
5	603 00 07-61	Nut, Key Switch	1
6	603 00 07-62	Switch, Light	1
7	603 00 08-01	Receptacle, Accessory *	1
8	603 00 37-55	Screw-k35 Torx Pan Head Pt	2
9	603 00 37-60	Key Switch, Electric	1
10	603 00 37-61	Light, Battery	1
11	603 00 30-31	Panel, Instrument	1
12	603 00 30-32	Panel, Instrument (With 12-Volt Accessory Outlet Cutout) *	1
13	603 00 30-33	Set, Key	1
<p>Note: Some vehicles include push-on retainers in addition to screws (item 8) to secure the battery condition indicator (item 2). Also note that items marked with an asterisk (*) are to be used only on vehicles equipped with a 12-volt accessory outlet.</p>			

6

E



000230-001

HEADLIGHTS

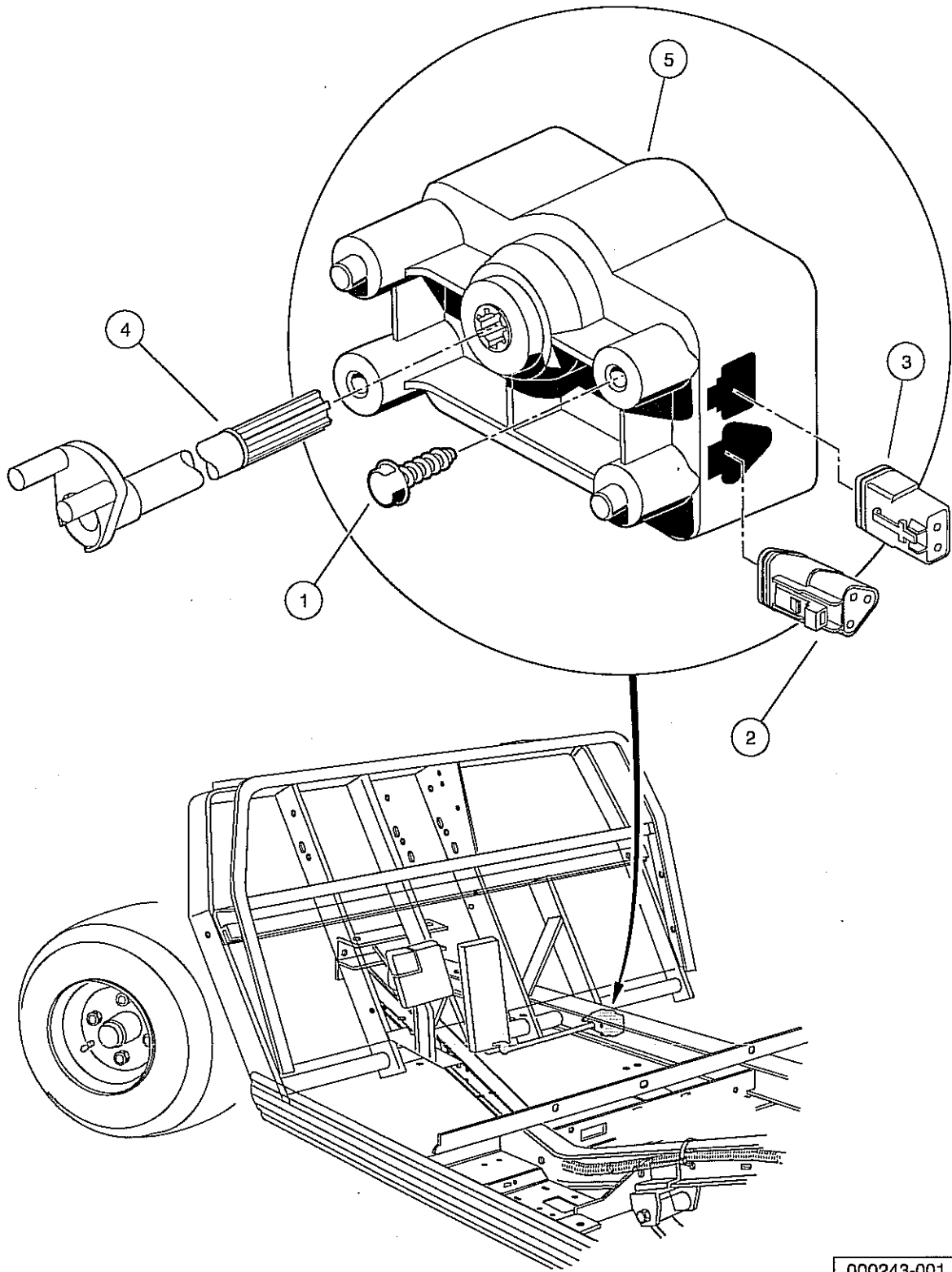
ITEM	PART NO.	DESCRIPTION	QTY
		1 2 3 4	
1	603 00 16-77	Assembly, Headlight	2
2	603 00 17-98	Spacer, Headlight, Oval	2
3	603 00 17-99	Harness, Headlight	2
4	603 00 19-41	Bulb, Headlight, Oval	2

6

E

6

E



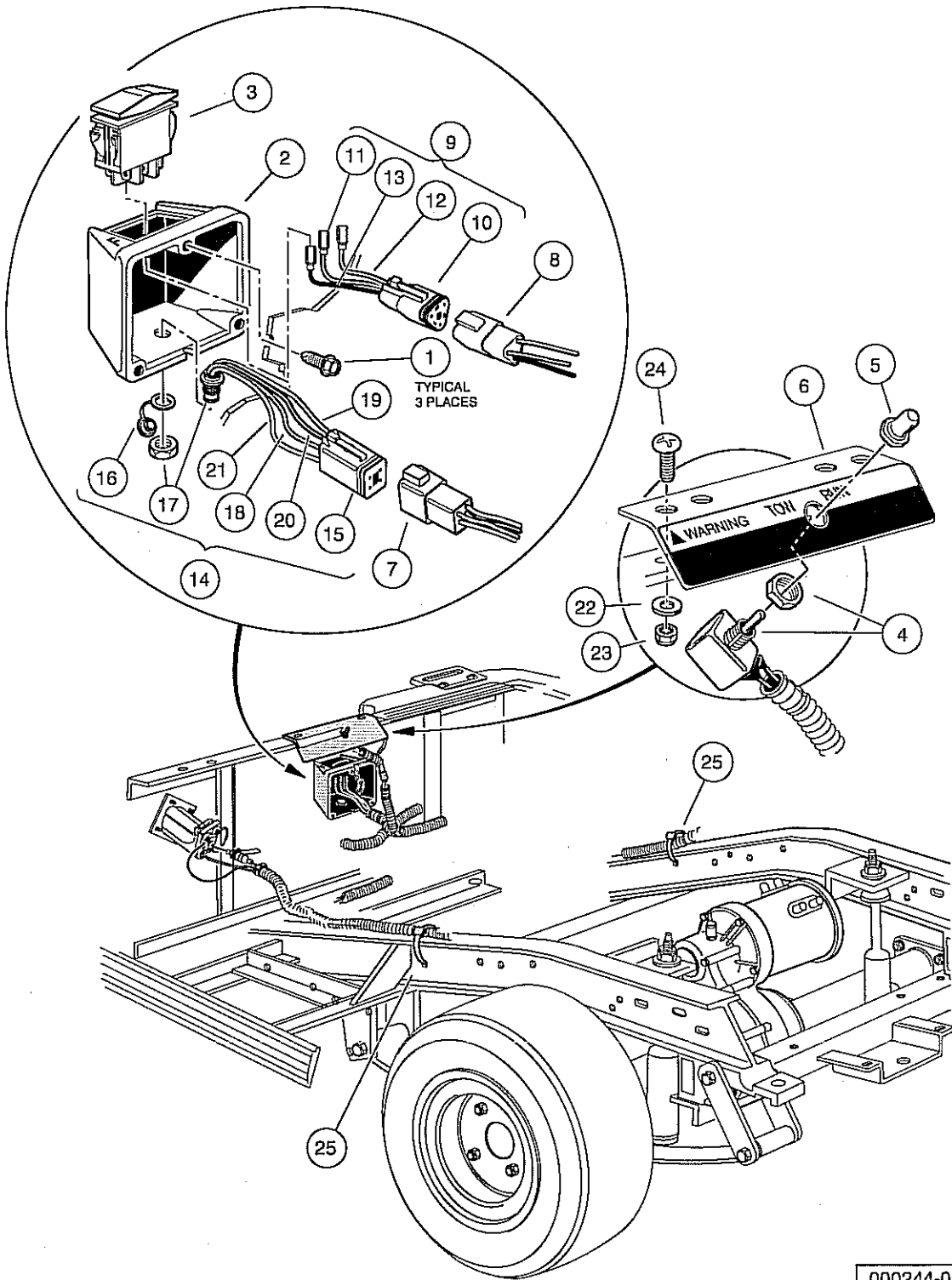
000243-001

MOTOR CONTROLLER OUTPUT REGULATOR (MCOR)

ITEM	PART NO.	DESCRIPTION	QTY
		1 2 3 4	
1	603 00 02-68	Screw, #12-16 X 0.625 Hi-Lo	2
2	603 00 36-97	Kit, 3-Pin Wedge Lock	1
3	603 00 37-14	Kit, 2-Pin Wedge Lock	1
4	603 00 37-20	Bar, Drive, Cast	1
5	603 00 37-21	MCOR	1

6

E



000244-001

FORWARD/REVERSE SWITCH, TOW/RUN SWITCH

ITEM	PART NO.	DESCRIPTION	QTY
		1 2 3 4	
1	603 00 01-34	Screw, 1/4 X 0.625 Hex-Head	3
2	603 00 36-73	Case, FNR Switch	1
3	603 00 36-74	Switch, Rocker, Single-Pole	1
4	603 00 36-90	Switch Assembly, Tow/Run	1
5	603 00 36-91	Boot, Switch	1
6	603 00 37-01	Bracket, Tow/Run Switch Mounting	1
7	603 00 37-09	Kit, 4-Pin Receptacle and Wedge Lock	1
8	603 00 37-16	Kit, 3-Pin Wedge Lock	1
9	603 00 37-44	Wire Assembly, FNR Switch (includes items 10 through 13)	1
10	603 00 36-97	Kit, 3-Pin Wedge Lock	1
11	N/A	Wire Assembly, #18 Blue	1
12	N/A	Wire Assembly, #18 Orange	1
13	N/A	Wire Assembly, #18 Brown	1
14	603 00 37-45	Wire Assembly, IQDM Port (includes items 15 through 21)	1
15	603 00 37-10	Kit, 4-Pin Wedge Lock	1
16	603 00 37-33	Dust Cap	1
17	N/A	Connector Mount, Four-Pin	1
18	N/A	Wire Assembly, #18 Red/Yellow	1
19	N/A	Wire Assembly, #18 Black/Yellow	1
20	N/A	Wire Assembly, #18 Blue/Yellow	1
21	N/A	Wire Assembly, #18 Green/Yellow	1
22	603 00 00-54	Washer, 1/4 Type A Narrow Flat	2
23	603 00 00-89	Locknut, 1/4-20 Nylon Insert	2
24	603 00 00-90	Screw, 1/4-20 X 0.75 Truss-Head Machine	2
25	603 00 29-63	Tie Wrap, 8" Nylon	1

6

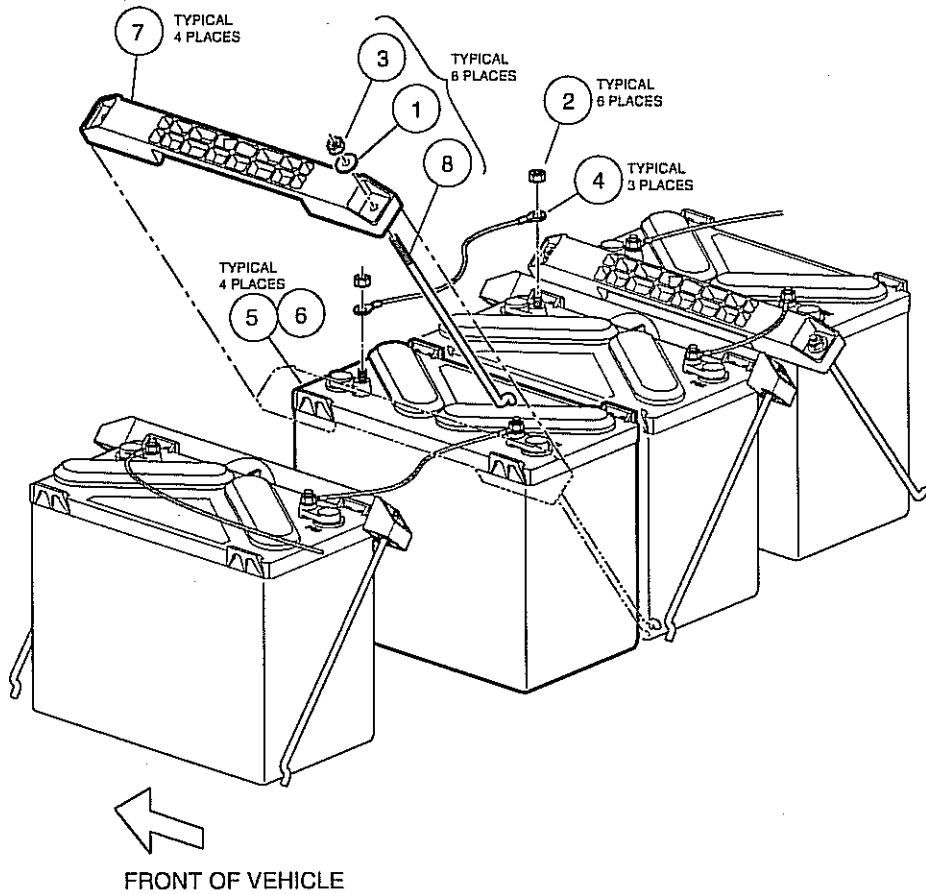
E

BATTERY CHARGER RECEPTACLE

ITEM	PART NO.	DESCRIPTION	QTY
		1 2 3 4	
1	603 00 36-60	Plate, Receptacle Backing	1
2	603 00 36-61	Fuse and Receptacle Assembly (includes items 3 through 10)	1
3	603 00 36-55	Screw, #8 X 5/8 Phillips Pan-Head Type AB	3
4	603 00 36-58	Receptacle	1
5	603 00 36-59	Fuse Assembly (includes item 6)	1
6	603 00 01-71	Locknut, #10-32 Nylon Insert	2
7	603 00 36-75	Fuse, 3/8-Amp	1
8	N/A	Wire Assembly, Sense Lead, Gray	1
9	N/A	Wire Assembly, #10 Red	1
10	N/A	Wire Assembly, #10 Black	1
11	603 00 05-06	Screw, #7-19 X 0.625 Phillips Pan-Head Tap	4

6

E



000241-002

BATTERIES – ELECTRIC VEHICLE

ITEM	PART NO.	DESCRIPTION	QTY
		1 2 3 4	
1	603 00 01-27	Washer, 5/16 Flat	8
2	603 00 36-52	Nut, 5/16-18 Stainless-Steel Hex	8
3	603 00 36-54	Locknut, 5/16-18 Nylon Insert	8
4	603 00 36-57	Wire Assembly #6 Black	3
5	603 00 37-62	Battery, Ventmaster 12-Volt (Wet)	4
6	603 00 37-63	Battery, Ventmaster 12-Volt (Dry, also known as moist)	4
7	603 00 37-68	Battery Hold-Down	4
8	531 30 71-60	Bolt, Battery, J-	8

6

E

OBC, CONTROLLER, AND SOLENOID – ELECTRIC VEHICLE

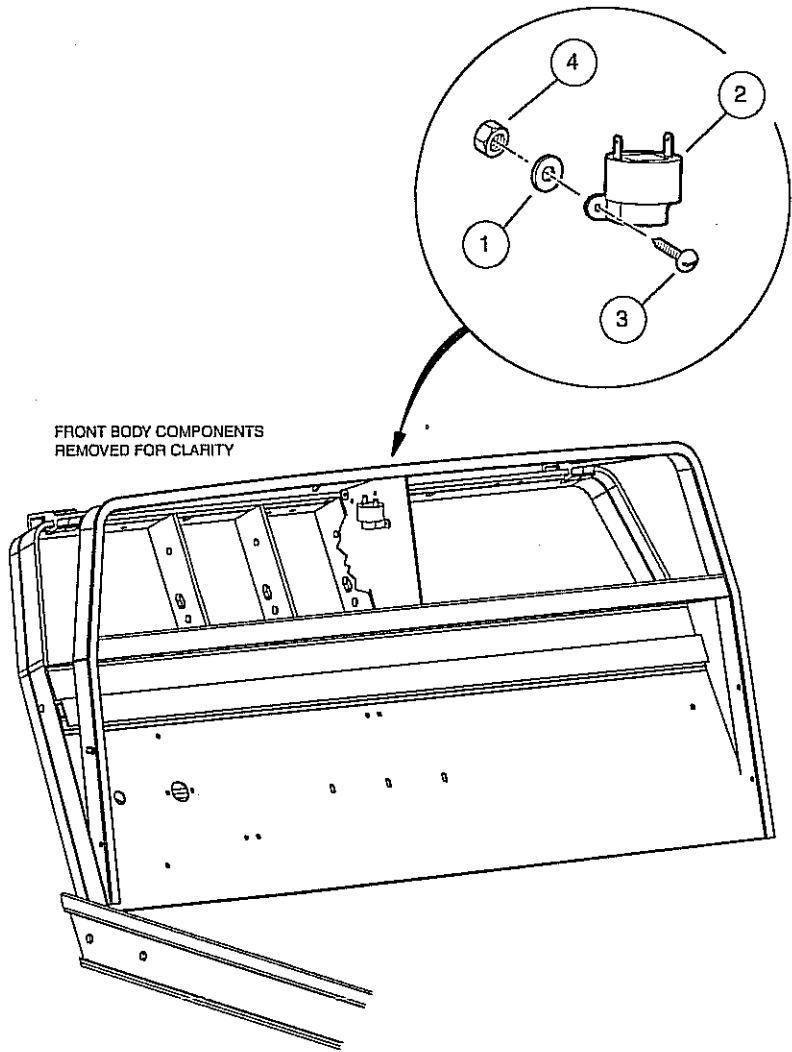
ITEM	PART NO.	DESCRIPTION	QTY
		1 2 3 4	
1	603 00 01-34	Screw, 1/4 X 0.625 Hex-Head	9
2	603 00 02-20	Screw, 5/16-18 X 0.75 Thread-Forming	2
3	603 00 36-53	Resistor Assembly	1
4	603 00 02-38	Diode	1
5	603 00 36-65	Ground Wire Kit, 48-Volt (includes items 6 through 8)	1
6	N/A	Compression Lug	1
7	N/A	Wire Assembly, Black	1
8	603 00 29-63	Tie Wrap, 8" Nylon	3
9	603 00 36-92	Solenoid, 48-Volt (includes items 10 through 14)	1
10	603 00 01-42	Nut, M8-1.25 Hex	2
11	603 00 01-84	Lockwasher, 8mm Split	2
12	N/A	Solenoid, 48-Volt	1
13	N/A	Washer, Lock	2
14	N/A	Nut	2
15	603 00 36-93	Onboard Computer (includes item 16)	1
16	603 00 37-11	Kit, 6-Pin Wedge Lock	1
17	603 00 32-21	Screw, 5/16-18 X 1.25 Thrd Frm	2
18	603 00 37-12	Kit, 6-Pin Receptacle and Wedge Lock	1
19	603 00 37-17	Plate, Component Common	1
20	603 00 37-35	Bolt, Controller, Terminal	3
21	603 00 37-36	Cover Assembly, Controller (includes items 22 through 24)	1
22	531 30 71-20	Decal, Component Cover	1
23	603 00 37-37	Cover, Controller	1
24	603 00 37-38	Gasket, Controller Cover	1
25	****	Extrusion, Cover Support	1
26	603 00 37-40	Terminal Block	1
27	603 00 37-41	Wire Assy, #10 Black	1
28	603 00 37-42	Screw, #10-24 X 0.75 Phillips, Thread-Forming	1
29	603 00 37-43	Kit, Connector, IQ Controller	1
30	531 30 73-66	Controller, IQ, 48-volt	1
31	603 00 00-66	Nut, 5/16-18 Hex	1
32	603 00 00-72	Lockwasher, 5/16 Split	1
33	603 00 00-93	Tie Wrap, 11" Nylon	1
34	603 00 29-63	Tie Wrap, 8" Nylon	1
		**** Special order item available upon request.	

6

E

6

E



000363-001

REVERSE BUZZER

ITEM	PART NO.	DESCRIPTION	QTY
		1 2 3 4	
1	603 00 01-40	Washer, #4 Flat	1
2	603 00 03-71	Buzzer, Reverse (9-48 VDC)	1
3	603 00 23-49	Screw, #4-40 X 0.75 Round-Head Machine	1
4	603 00 00-86	Nut, #4-40 Hex Machine	1

6

E

6

E

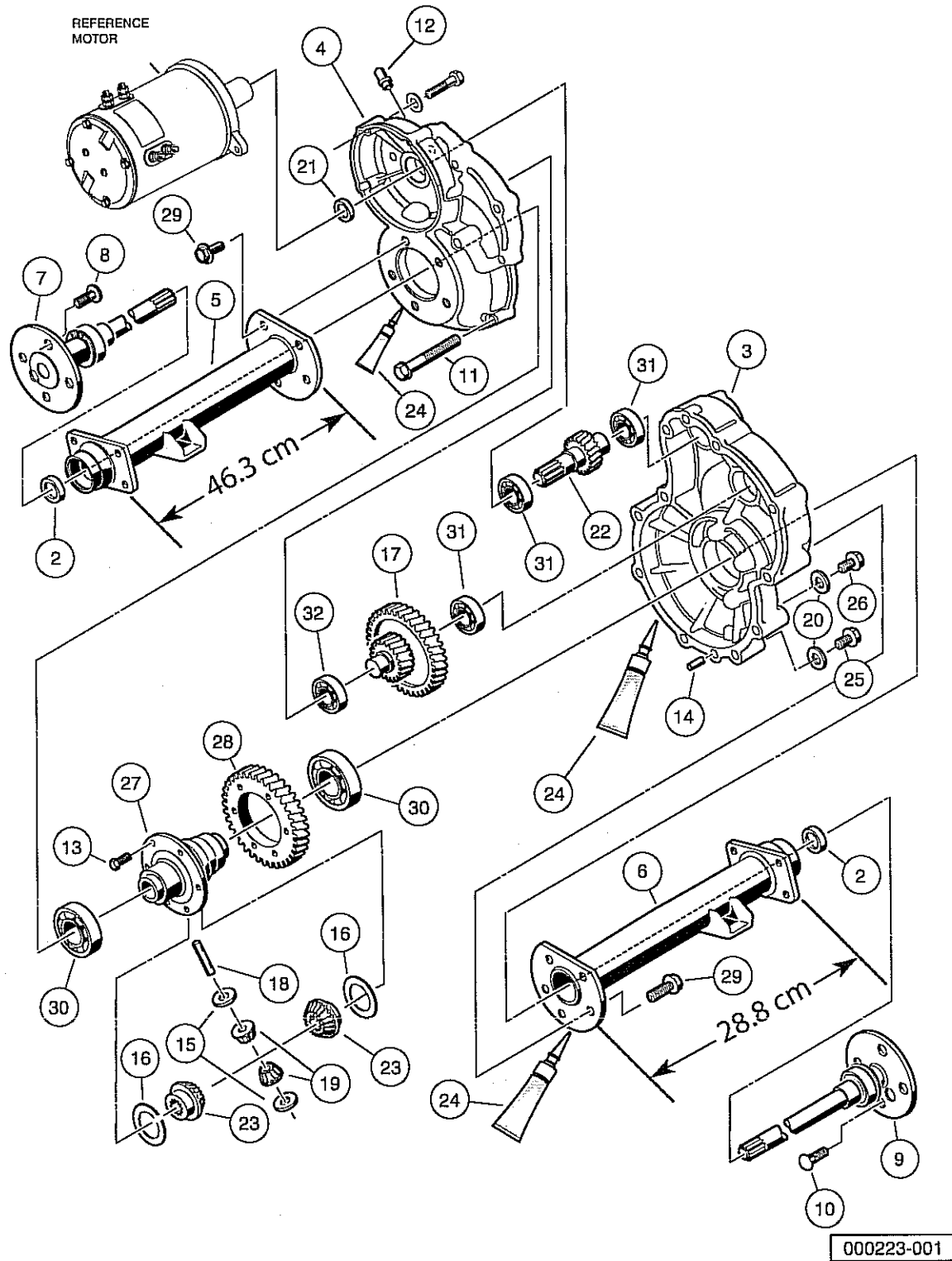
TRANSAXLE

7

E

7

E



TRANSAXLE – ELECTRIC VEHICLES

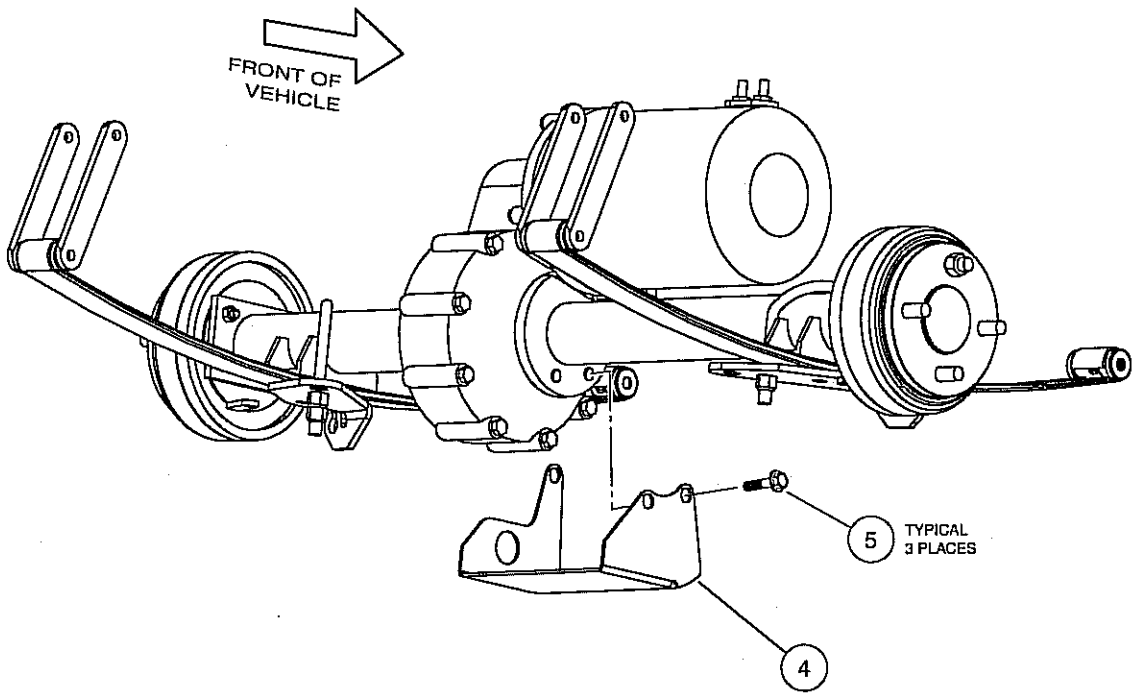
ITEM	PART NO.	DESCRIPTION	QTY
		1 2 3 4	
1	603 00 36-82	Transaxle -12.3 (includes items 2 through 32)	1
2	603 00 30-62	Axle Shaft Oil Seal	2
3	603 00 36-76	Gear Case, Left-Hand	1
4	603 00 36-77	Gear Case, Passenger-Side	1
5	603 00 36-78	Tube, Axle, Passenger-Side	1
6	603 00 36-79	Tube, Axle, Driver-Side	1
7	603 00 36-80	Axle Assembly, Passenger-Side (includes item 8)	1
8	603 00 37-00	Lug Stud	4
9	603 00 36-81	Axle Assembly, Driver-Side (includes item 10)	1
10	603 00 37-00	Lug Stud	4
11	603 00 36-83	Screw, M8-1.25 X 60mm Hex-Head	11
12	603 00 36-84	Breather	1
13	603 00 36-85	Screw, M10-1.25 X 25mm	6
14	603 00 36-86	Pin, 11mm OD X 8.5mm ID X 10mm	2
15	603 00 36-87	Washer, Thrust	2
16	603 00 36-88	Washer, Thrust	2
17	603 00 36-89	Intermediate Shaft Assembly	1
18	603 00 36-98	Pin, 15.99mm X 88.7mm Dowel	1
19	603 00 37-02	Gear, Differential Idler	2
20	603 00 37-03	Gasket	2
21	603 00 37-04	Seal, Lip	1
22	603 00 37-05	Shaft, Input	1
23	603 00 37-06	Gear, Differential	2
24	603 00 06-07	Sealant	A/R
25	603 00 37-18	Plug, M14-1.5 X 12mm Magnetic	1
26	603 00 37-19	Plug, M14-1.5 X 12mm Hex	1
27	603 00 37-56	Housing, Differential, 6 Bolt	1
28	603 00 37-57	Gear, Differential Output, 6-Bolt	1
29	603 00 37-59	Screw, Flg Hd M10 X 1.5 X 30	10
30	603 00 00-75	Inner Axle, Tube Bearing	2
31	603 00 00-76	Bearing	3
32	603 00 29-61	Bearing	1
<p>Note: If either the Differential Output Gear (item 28) or the Differential Housing (item 27) require replacement, both must be purchased at the same time. Items 27 and 28 are replacements for all gear and differential housing combinations in this transaxle.</p>			

7

E

7

E



000365-001

DIFFERENTIAL GUARD – HUV4210-EXP

ITEM	PART NO.	DESCRIPTION	QTY
		1 2 3 4	
1	603 00 36-56	Differential Guard Kit (includes items 2 through 4)	1
2	603 00 36-94	Kit - Support Brace	2
3	603 00 37-13	Screw, M10-1.50 X 60mm Hex Cap	2
4	N/A	Guard, Elect.axle Differential	1
5	603 00 37-59	Screw, Flg Hd M10 X 1.5 X 30	3

7

E

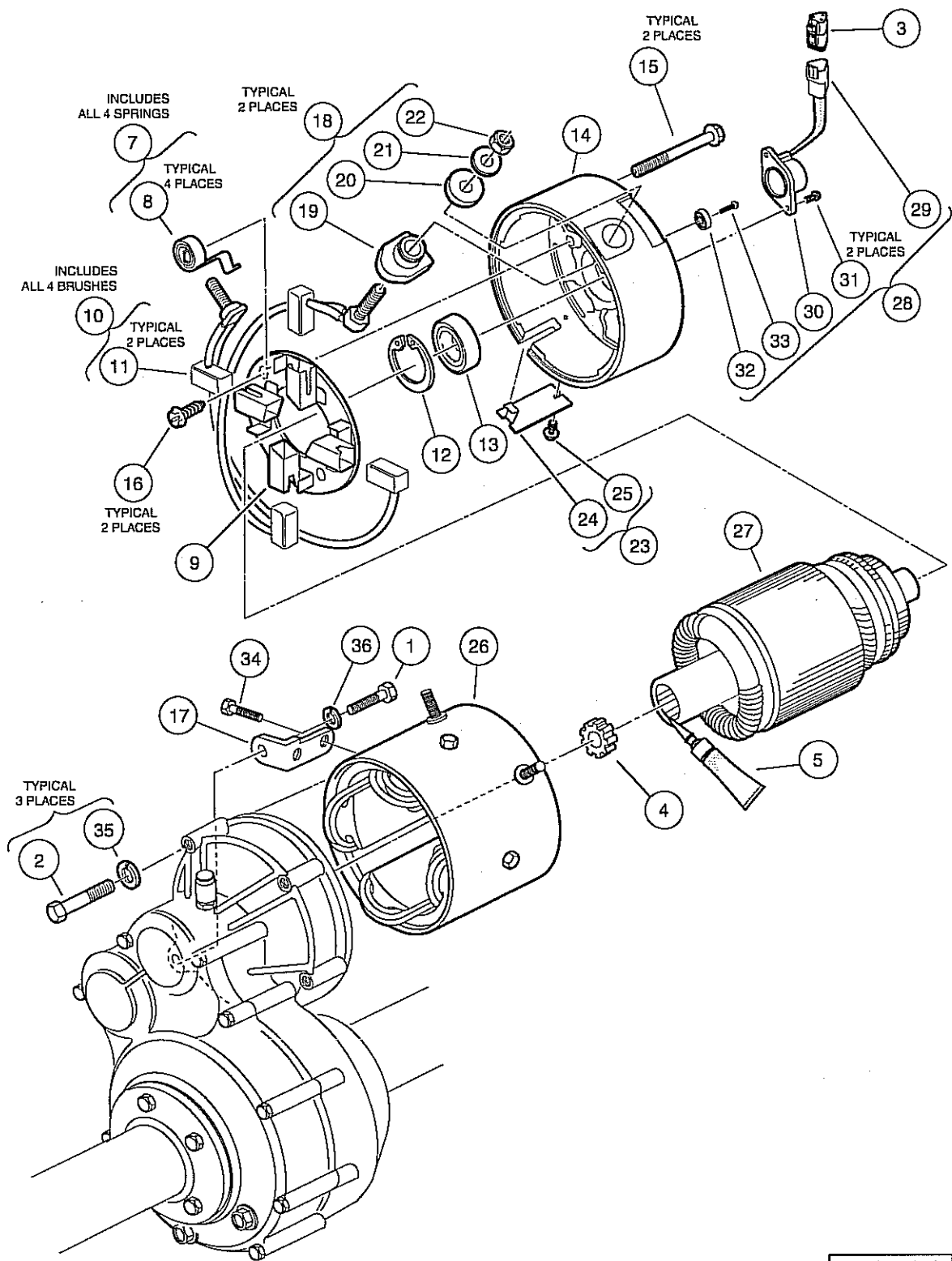
7

E

ELECTRIC MOTOR

8

E



000185-001

MOTOR (MODEL EJ4-4001) – ELECTRIC VEHICLE

ITEM	PART NO.	DESCRIPTION	QTY
		1 2 3 4	
1	603 00 01-16	Screw, 5/16-18 X 1.00 Hex Cap	1
2	603 00 36-51	Screw, 1/4-20 X 2.25 Hex Cap	3
3	603 00 36-97	Kit, 3-Pin Wedge Lock	1
4	603 00 37-34	Bumper, Drive Unit	1
5	603 00 37-39	Lubricant, Moly-Teflon (Single-Use Tube)	1
6	603 00 37-67	IQ Electric Motor, 48-VDC 3.3 hp (includes items 7 through 34)	1
7	603 00 37-22	Spring Kit, Motor Brush (includes item 8)	1
8	N/A	Spring, Brush, Starter/gen	4
9	603 00 37-23	Brush Box Assembly	1
10	603 00 37-24	Brush Kit, Motor (includes item 11)	1
11	N/A	Assembly, Brush and Terminal	2
12	603 00 37-25	Ring, 2.24" Internal Retaining	1
13	603 00 37-26	Bearing, Ball	1
14	603 00 37-27	End Cap, Motor	1
15	603 00 37-28	Screw, 1/4-20 X 2.25 Hex-Head Washer	2
16	603 00 37-29	Screw, #8-32 X .5 Hex-Head	2
17	603 00 37-30	L-Bracket, Motor	1
18	603 00 37-31	Hardware Kit, Motor Terminal (includes items 19 through 22)	2
19	N/A	Bushing, Nylon	2
20	N/A	Washer, Nylon Flat	2
21	N/A	Washer, Flat, 5/16 Steel	2
22	N/A	Nut, Brass Hex, 5/16 - 18	2
23	603 00 37-32	Plate Kit, Motor Cover (includes items 24 and 25)	1
24	N/A	Assembly, Cover Plate	1
25	N/A	Screw, #8-32 x 0.375, Taptite Thread	1
26	603 00 37-64	Frame and Field Assembly	1
27	603 00 37-65	Armature Assembly	1
28	603 00 37-66	Kit, Speed Sensor (includes items 29 through 33)	1
29	603 00 37-16	Kit, 3-Pin Wedge Lock	1
30	N/A	Sensor, Motor Speed, ADC	1
31	N/A	Screw, #8-32, Taptite Thread	2
32	N/A	Magnet, ADC Motor	1
33	N/A	Screw, 1/4-20 x 0.5	1
34	N/A	Bolt, 1/4 - 20 x 0.73 Thread-Forming	2
35	603 00 00-58	Lockwasher, 1/4 Helical Split	3
36	603 00 00-72	Lockwasher, 5/16 Split	1

8

E

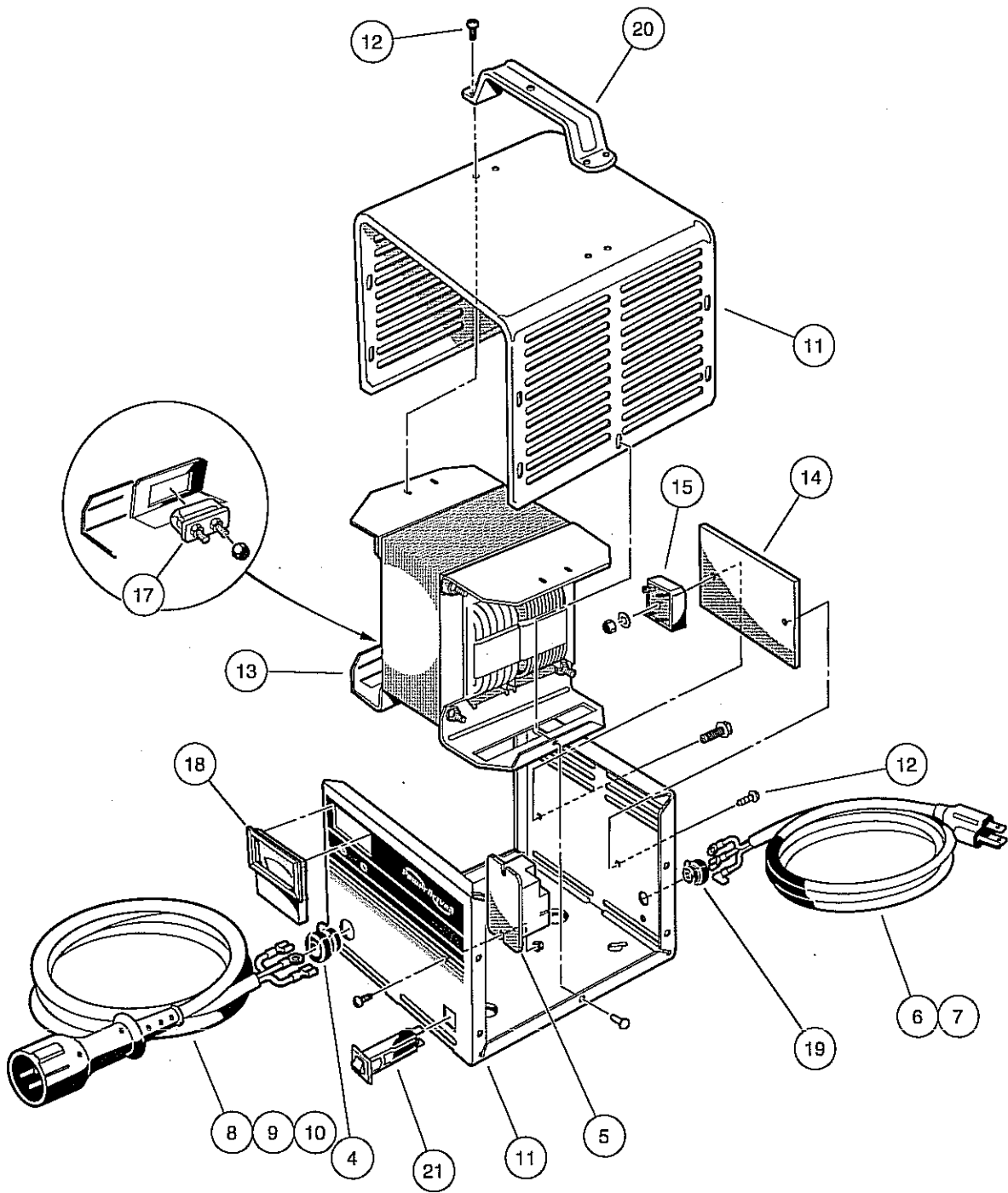
8

E

BATTERY CHARGER

9

E



000291-001

BATTERY CHARGER (MODEL 22110), DOMESTIC

ITEM	PART NO.	DESCRIPTION	QTY
		1 2 3 4	
1	603 00 20-09	48-V/13-A PowerDrive 2 (9-ft. DC, 6-ft. AC)	1
2	603 00 36-62	48-V/13-A PowerDrive 2 (12-ft. DC, 9-ft. AC)	1
3	603 00 36-63	48-V/13-A PowerDrive 2 (20-ft. DC, 9-ft. AC) (includes items 4 through 21)	1
4	603 00 36-50	Bushing, DC Cord	1
5	603 00 36-66	Relay, 48-Volt	1
6	603 00 36-67	Cord, AC, 80-Inch (203 cm)	1
7	603 00 36-68	Cord, AC, 108-Inch (274 cm)	1
8	603 00 36-69	PD2 DC Cordset, 113-inch	1
9	603 00 36-70	PD2 DC Cordset, 154-inch	1
10	603 00 36-71	Pd2 Dc Cordset 250 Inch	1
11	603 00 37-46	PD2 Case (includes item 12)	1
12	603 00 36-49	Screw, #10 X 0.50 Phillips Pan-Head	12
13	603 00 37-47	PD2 Transformer Asm	1
14	603 00 37-48	PD2 Heatsink	1
15	603 00 37-49	PD2 Diode Bridge w/Film	1
16	603 00 37-50	PD2 Wire Asm	1
17	603 00 37-51	PD2 Fuse Asm	1
18	603 00 37-52	PD2 Ammeter	1
19	603 00 37-53	PD2 AC Cord Bushing	1
20	603 00 37-54	PD2 Handle	1
21	603 00 25-03	Circuit Breaker, 15-Amp/120-Volt	1
<p>Note: Item 16 not shown. Level 1 Battery Charger part numbers include one AC and one DC cord. They do not include all of the level 2 cords listed.</p>			

9

E

9

E

MAINTENANCE AND SERVICE TOOLS

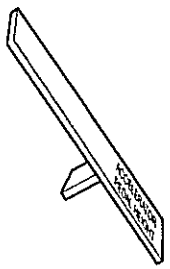
10

G

E

D

**10
G
E
D**



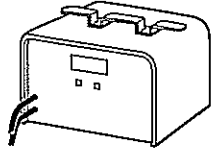
1



2



3



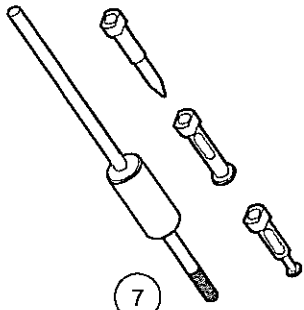
4



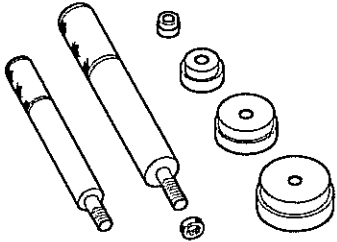
5



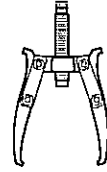
6



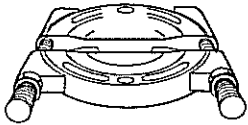
7



8



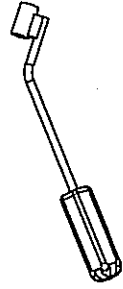
9



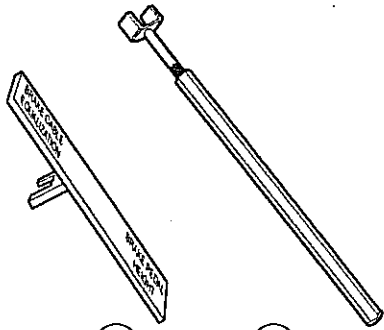
10



11



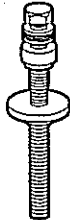
12



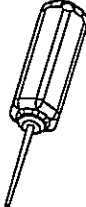
14 15
13



16



17



18



19

MAINTENANCE AND SERVICE TOOLS

ITEM	PART NO.	DESCRIPTION	QTY DIESEL	QTY GAS	QTY ELEC
		<p style="text-align: center;">1 2 3 4</p> <p>The following tool list includes all tools available from Husqvarna for maintenance and service procedures for gasoline, electric, and/or diesel vehicles, both past and present models. Be sure to carefully examine the tool list for applicability to your vehicle before ordering.</p>			
1	603 00 18-32	Accelerator Pedal Adjustment Tool		1	1
2	603 00 18-33	Adhesive, Guide Ring, 3-Gram Tube			1
3	603 00 18-34	Arbor		1	
4	603 00 18-35	Battery Discharge Machine, 36/48 Volt			1
5	603 00 00-03	Battery Terminal Protector Spray	1	1	1
6	603 00 18-37	Battery Thermometer	1	1	1
7	603 00 18-38	Bearing and Oil Seal Remover Assembly	1	1	1
8	603 00 18-39	Bearing Driver Set	1	1	1
9	603 00 18-40	Bearing Puller	1	1	1
10	603 00 18-41	Bearing Puller Wedge Attachment	1	1	1
11	603 00 18-42	Brake Adjustment Tool (used only on vehicles with manually adjusted mechanical brakes)		1	1
12	603 00 18-43	Brake Cable Release Tool	1	1	1
13	603 00 18-44	Brake Pedal Adjustment Tool Kit (includes items 14 and 15).....			1
14	****	Brake Pedal Adjustment Tool			1
15	****	Brake Pedal Tension Tool			1
16	603 00 18-46	Calibration Test Module			1
17	603 00 18-47	Cam Installation Tool		1	
18	603 00 18-48	Charger Bezel Tool			1
19	603 00 18-49	Clutch Removal Tool (for 4x4 vehicles).....			1
		Please refer to the maintenance and service manual for proper tool application.			
	****	Special order item available upon request			

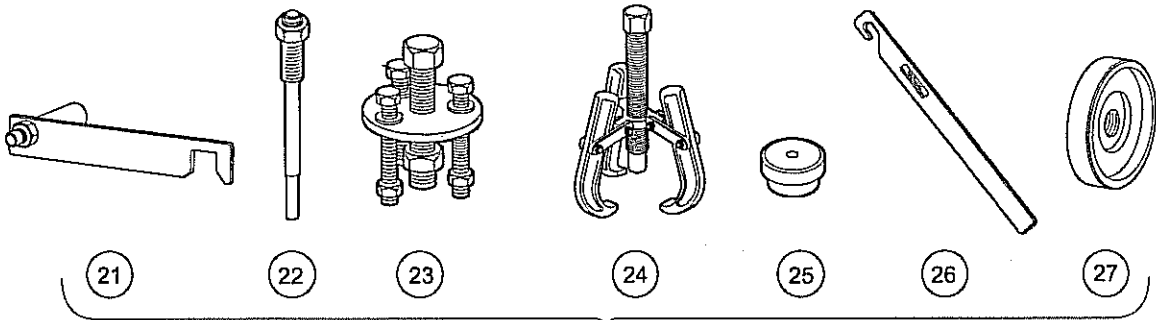
10

G

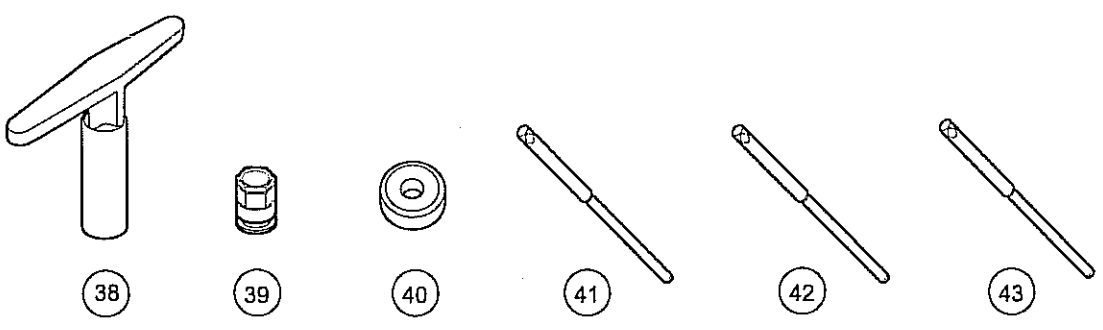
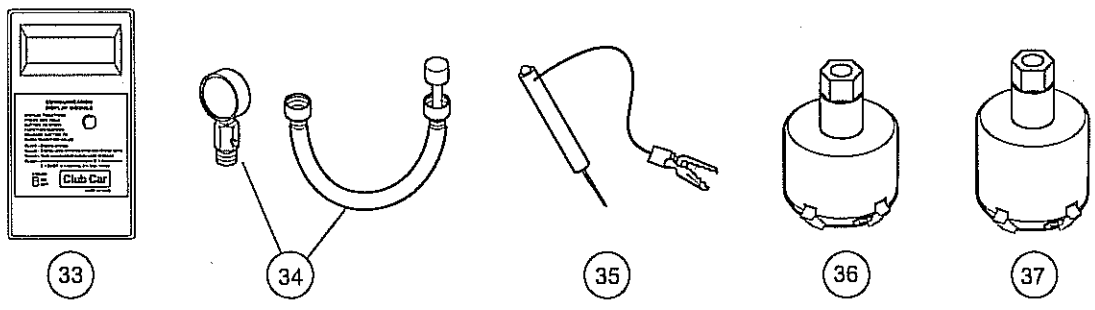
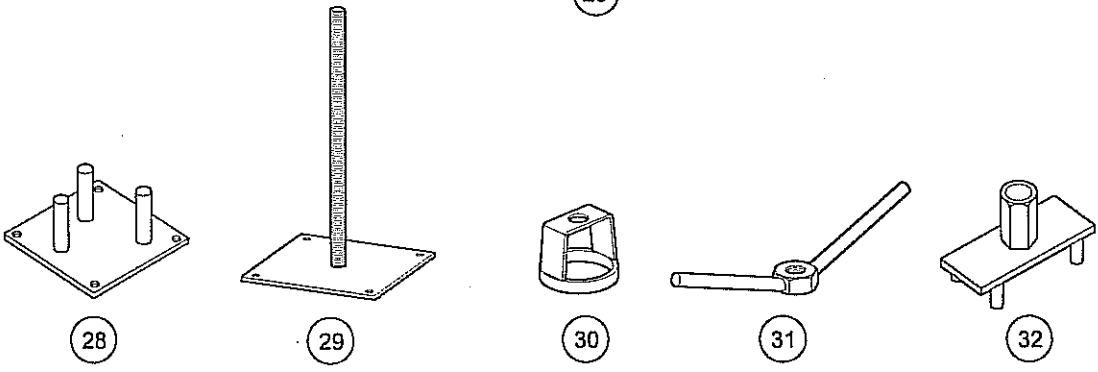
E

D

10
G
E
D



20

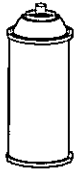


MAINTENANCE AND SERVICE TOOLS, CONTINUED

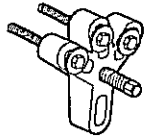
ITEM	PART NO.	DESCRIPTION	QTY DIESEL	QTY GAS	QTY ELEC
		1 2 3 4			
20	603 00 18-50	Clutch Tool Kit (includes items 21 - 27)		1	
21	603 00 18-51	Clutch Alignment Tool (for pre-unitized transaxle vehicles built prior to 1997 model year)		1	
22	603 00 18-52	Drive Clutch Puller (for Kawasaki engines only)		1	
23	603 00 18-53	Drive Clutch Hub Puller (for Kawasaki engines only)		1	
24	603 00 18-54	Driven Clutch Cam Puller (for Kawasaki engines only)		1	
25	603 00 18-55	Driven Clutch Puller Plug (for Kawasaki engines only)		1	
26	603 00 18-56	Drive Clutch Holder Tool Assembly (for Kawasaki engines only)		1	
27	603 00 18-57	Press Weldment (for Kawasaki engines only)		1	
28	603 00 18-58	Drive Clutch Fixed Sheave Tool (for 4x4 vehicles)			1
29	603 00 18-60	Driven Clutch Spring Compression Base (for use with items 30 and 31) (for 4x4 vehicles)	1	1	
30	603 00 18-61	Driven Clutch Spring Compression Collar (for use with items 29 and 31) (for 4x4 vehicles)	1	1	
31	603 00 18-62	Driven Clutch Spring Compression Nut (for use with items 29 and 30) (for 4x4 vehicles)	1	1	
32	603 00 18-59	Drive Clutch Spider Removal Tool (for 4x4 vehicles)	1	1	
33	603 00 18-63	Communication Display Module			1
34	603 00 18-64	Compression Gauge and Adapter		1	
35	603 00 18-67	Continuity Tester		1	1
36	603 00 29-35	Cutter, Valve Seat, #122		1	
37	603 00 29-36	Cutter, Valve Seat #115		1	
38	603 00 29-38	Wrench, T, #505		1	
39	603 00 29-38	Adapter, T-Wrench		1	
40	603 00 18-75	Cutter, Valve Seat, 60 Degree (requires item 51) (for Honda GX620 Gasoline Engines)		1	
41	603 00 29-39	Pilot, 6.6 MM		1	
42	603 00 29-40	Pilot, 6.62 MM		1	
43	603 00 29-41	Pilot, 6.65 MM		1	
		Please refer to the maintenance and service manual for proper tool application.			

10
G
E
D

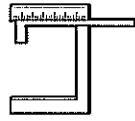
10
G
E
D



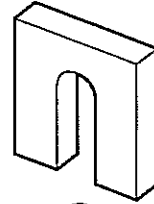
44



45



46



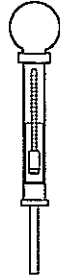
47



48



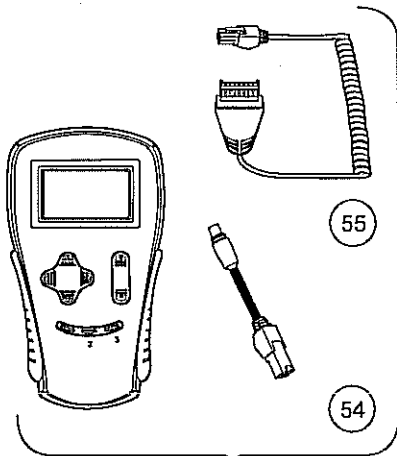
49



50



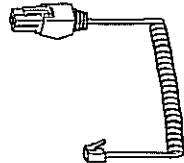
51



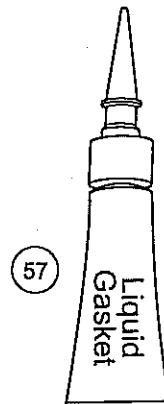
52 53

55

54



56



57



58



59 60



61

MAINTENANCE AND SERVICE TOOLS, CONTINUED

ITEM	PART NO.	DESCRIPTION	QTY	QTY	QTY	10
			DIESEL	GAS	ELEC	
		1 2 3 4				G
44	603 00 00-01	Dry Moly Lubricant	1	1	1	E
45	603 00 18-81	Flywheel Puller Kit (for Kawasaki Engines)		1		D
46	603 00 18-83	Gauge, Carburetor Float Level (for Honda GX620 Gasoline Engines)		1		
47	603 00 18-86	Gear Yoke	1	1	1	
48	603 00 18-87	Governor Shaft Installation Tool (for Kawasaki Engine Vehicles)		1		
49	603 00 18-89	Hydraulic Brake Adjuster (for HUV 4213)			1	
50	603 00 18-90	Hydrometer	1	1	1	
51	603 00 18-92	Internal Retaining Ring Pliers	1	1	1	
52	603 00 26-87	IQ Display Module (IQDM) Kit (for electric vehicles only)			1	
		(includes items 54 and 55)				
53	603 00 33-69	IQ Display Module (IQDM-P) Kit (for electric vehicles only)			1	
		(includes items 54 and 55)				
54	603 00 18-94	Adaptor, Cable			1	
55	603 00 18-95	IQDM Series 2 Cable			1	
56	603 00 18-96	IQDM Series 1 Cable (replacement)			1	
57	603 00 06-07	Liquid Gasket (transaxle case)	1	1	1	
58	603 00 29-92	Moly-Teflon Lubricant (4-oz. (113-gram) tube)			1	
59	603 00 33-70	Paint, Touch-Up – Beige		1	1	
59	603 00 33-71	Paint, Touch-Up – Black		1	1	
59	603 00 33-72	Paint, Touch-Up – Burgundy		1	1	
59	603 00 33-73	Paint, Touch-Up – Classic Blue (Navy)		1	1	
59	603 00 33-74	Paint, Touch-Up – Dark Gray	1	1	1	
59	603 00 33-75	Paint, Touch-Up – Dark Green	1	1	1	
59	603 00 33-76	Paint, Touch-Up – Gray	1	1	1	
59	603 00 33-77	Paint, Touch-Up – Red	1	1	1	
59	603 00 33-78	Paint, Touch-Up – Royal Blue (Pacific Blue)		1	1	
59	603 00 33-79	Paint, Touch-Up – White	1	1	1	
60	603 00 33-80	Paint, Precedent Underbody – Gray.....	1	1	1	
61	603 00 33-81	Paint Pen, Touch-Up, Precedent Underbody – Black.....	1	1	1	
		Please refer to the maintenance and service manual for proper tool application.				

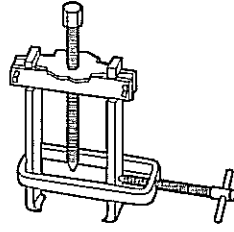
**10
G
E
D**



62



63



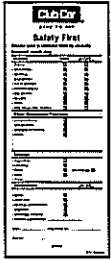
64



65



66



67



68



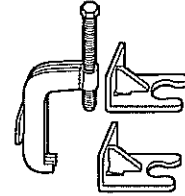
69



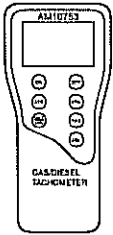
70



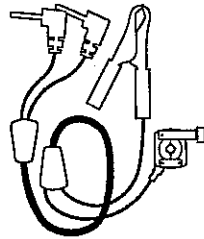
71



72



73



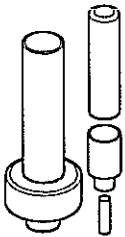
74



75



76



77



82



83



84



85

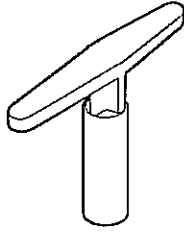
MAINTENANCE AND SERVICE TOOLS, CONTINUED

ITEM	PART NO.	DESCRIPTION	QTY	QTY	QTY	10
			DIESEL	GAS	ELEC	
		1 2 3 4				
62	603 00 19-10	Piston Ring Compressor Kit (FE290, FE350 and FE400 engines)		1		G
63	603 00 19-11	Piston Ring Pliers (for Kawasaki Engines)		1		E
64	603 00 19-13	Puller, Special Use (for Kubota D722 Diesel Engines)	1			D
65	603 00 19-14	Retaining Ring Pliers, 45° External	1	1	1	
66	603 00 19-15	Retaining Ring Pliers, 90° Internal	1	1	1	
67	603 00 19-16	Safety First Card (50 per pack)	1	1	1	
68	603 00 19-17	Seal Puller	1	1	1	
69	603 00 19-18	Spanner Wrench (for coil over shock front suspension vehicles only)	1	1		
70	603 00 19-19	Steering Column Bearing Press Tool		1	1	
71	603 00 19-20	Steering Column Retaining Ring Tool		1	1	
72	603 00 19-21	Steering Wheel Puller Tool	1	1	1	
73	603 00 20-07	Tachometer (includes gasoline engine pick up lead only)	1	1		
74	603 00 19-23	Tachometer Diesel Probe (for use with item 73)	1			
75	603 00 19-24	Transaxle Axle Seal Tool		1		
76	603 00 19-25	Transaxle Pinion Seal Tool		1		
77	603 00 19-26	Transmission Tool Kit		1		
78	603 00 00-05	Tune-Up Kit, All OHV (for Kawasaki Engines) (includes air filter, spark plug, oil filter, fuel filters) (not shown)		1		
79	603 00 00-35	Tune-Up Kit, Gx620 (for Honda Engines) (includes air filter, spark plug, oil filter, fuel filters) (not shown)		1		
80	603 00 00-40	Tune-Up Kit, D722 (for Kubota Engines) (includes air filter, oil filter, fuel filters, water separator filter) (not shown)	1			
81	603 00 36-13	Tune-Up Kit, Precedent (for FE290/350 Engines) (includes air filter, spark plug, oil filter, fuel filters) (not shown)			1	
82	603 00 19-28	Valve Clearance Adjuster Screw Holder (for FE290 engines only)		1		
83	603 00 19-29	Valve Guide Driver (for Honda GX620 Gasoline Engines)		1		
84	603 00 19-30	Valve Guide Reamer (FE290, FE350, and FE400 only).....		1		
85	603 00 19-31	Valve Guide Reamer, 6.6 mm (for Honda GX620 Gasoline Engines)		1		

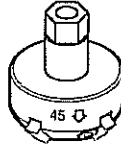
10
G
E
D



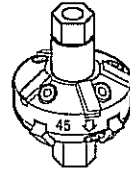
86



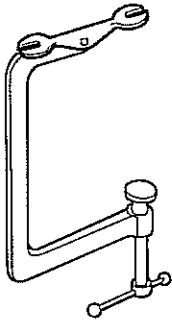
87



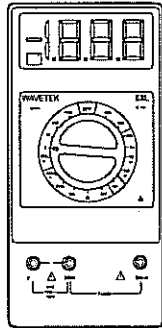
88



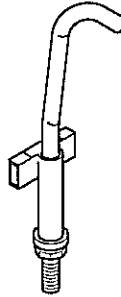
89



90



91



92

MAINTENANCE AND SERVICE TOOLS, CONTINUED

ITEM	PART NO.	DESCRIPTION	QTY DIESEL	QTY GAS	QTY ELEC
		1 2 3 4			
86	603 00 19-27	Valve Seat Cutter Guide		1	
87	603 00 18-78	Valve Seat Cutter T-Wrench		1	
88	603 00 18-36	Valve Seat Cutter, 45° (32 mm diameter) (for FE290 engines only)		1	
89	603 00 01-00	Valve Seat Cutter, 45°/30° (35 mm diameter)		1	
90	603 00 00-43	Valve Spring Compressor		1	
91	603 00 00-38	Volt Ohm Meter	1	1	1
92	603 00 27-87	Tool, Tensioning, Starter Generator (For gasoline vehicles)		1	

10
G
E
D